



Z86127

LOW-COST DIGITAL TELEVISION CONTROLLER (LDTc)

GENERAL DESCRIPTION

The Z86127 Low-Cost Digital Television Controller (LDTc) introduces a new level of sophistication to single-chip architecture. The Z86127 is a member of the Z8® single-chip microcontroller family with 8 Kbytes of ROM and 236 bytes of RAM. The device is housed in a 64-pin DIP package, in which only 52 are active, and are CMOS compatible. The LDTc offers mask programmed ROM which enables the Z8 microcontroller to be used in a high volume production application device embedded with a custom program (customer supplied program).

Zilog's LDTc offers fast execution, efficient use of memory, sophisticated interrupts, input/output bit manipulation capabilities, and easy hardware/software system expansion along with low cost and low power consumption. The device provides an ideal performance and reliability solution for consumer and industrial television applications.

The Z86127 architecture is characterized by utilizing Zilog's advanced Superintegration™ design methodology. The device has an 8-bit internal data path controlled by a Z8 microcontroller and On Screen Display (OSD) logic circuits/Pulse Width Modulators (PWM). On-chip peripherals include two register mapped I/O ports (Ports 2 and Port 3), interrupt control logic (one software, two external and three internal interrupts) and a standby mode recovery input port (Port 3, pin P30).

The OSD control circuits support 8 rows by 20 columns of characters. The character color is specified by row. One of the eight rows is assigned to show two kinds of colors for bar type displays such as volume control. The OSD is capable of displaying either low resolution (5x7 dot pattern) or high resolution (11x15 dot pattern) characters. The Z86C97 currently supports high resolution characters only.

A 14-bit PWM port provides enough voltage resolution for a voltage synthesizer tuning system. Three 6-bit PWM ports are used for controlling audio signal levels. Five 8-bit PWM ports are used to vary picture levels.

The LDTc applications demand powerful I/O capabilities. The Z86127 fulfills this with 27 I/O pins dedicated to input and output. These lines are grouped into four ports, and are configurable under software control to provide timing, status signals, parallel I/O and an address/data bus for interfacing to external memory.

There are three basic address spaces available to support this wide range of configurations: Program Memory, Video RAM, and Register File. The Register File is composed of 236 bytes of general purpose registers, two I/O Port registers, 15 control and status registers and three reserved registers.

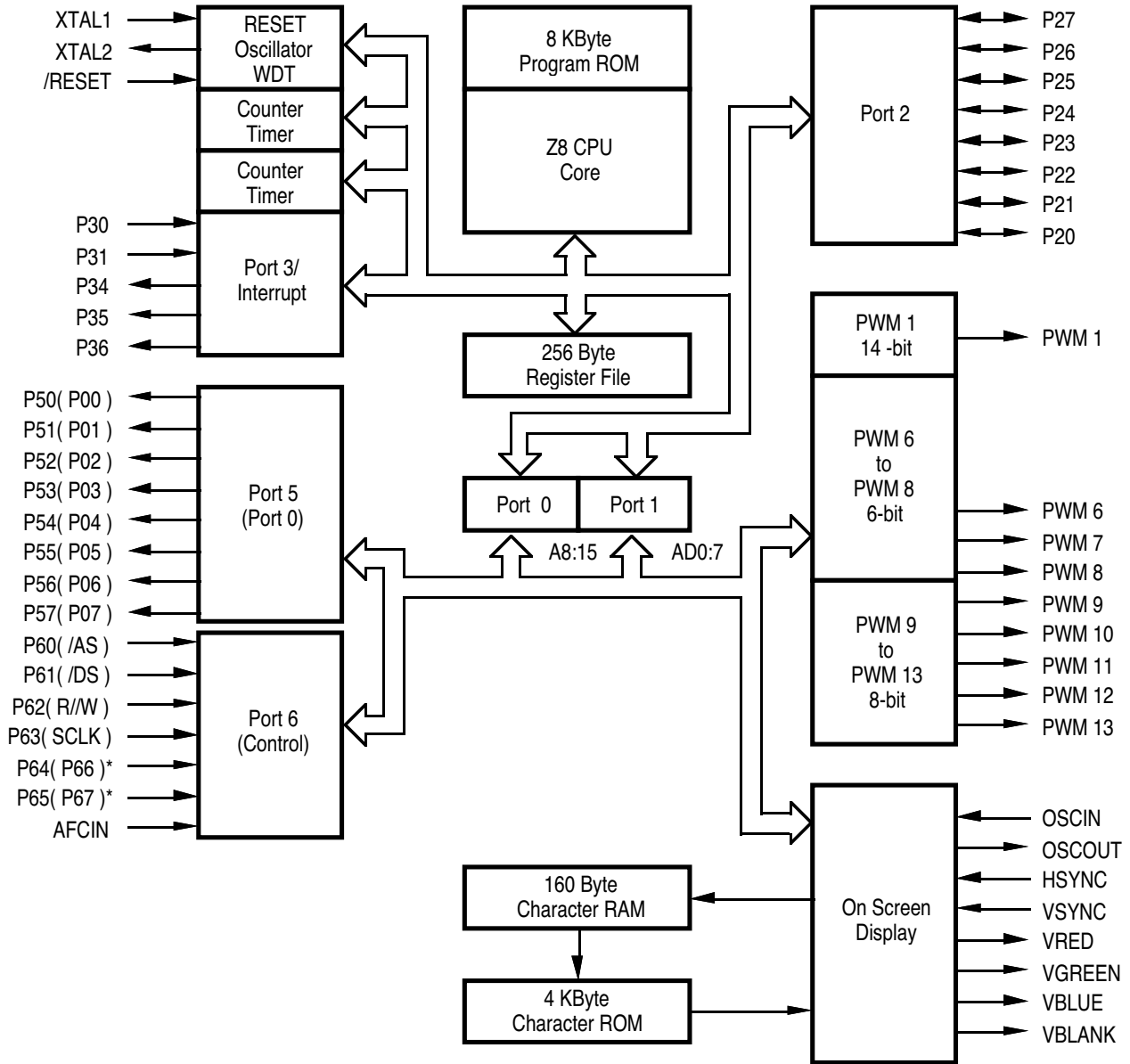
To unburden the program from coping with the real-time problems such as counting/timing and data communication, the LDTc offers two on-chip counter/timers with a large number of user selectable modes (Functional Block Diagram).

Notes:
All Signals with a preceding front slash, "/", are active Low, e.g.: B//W (WORD is active Low); /B/W (BYTE is active Low, only).

Power connections follow conventional descriptions below:

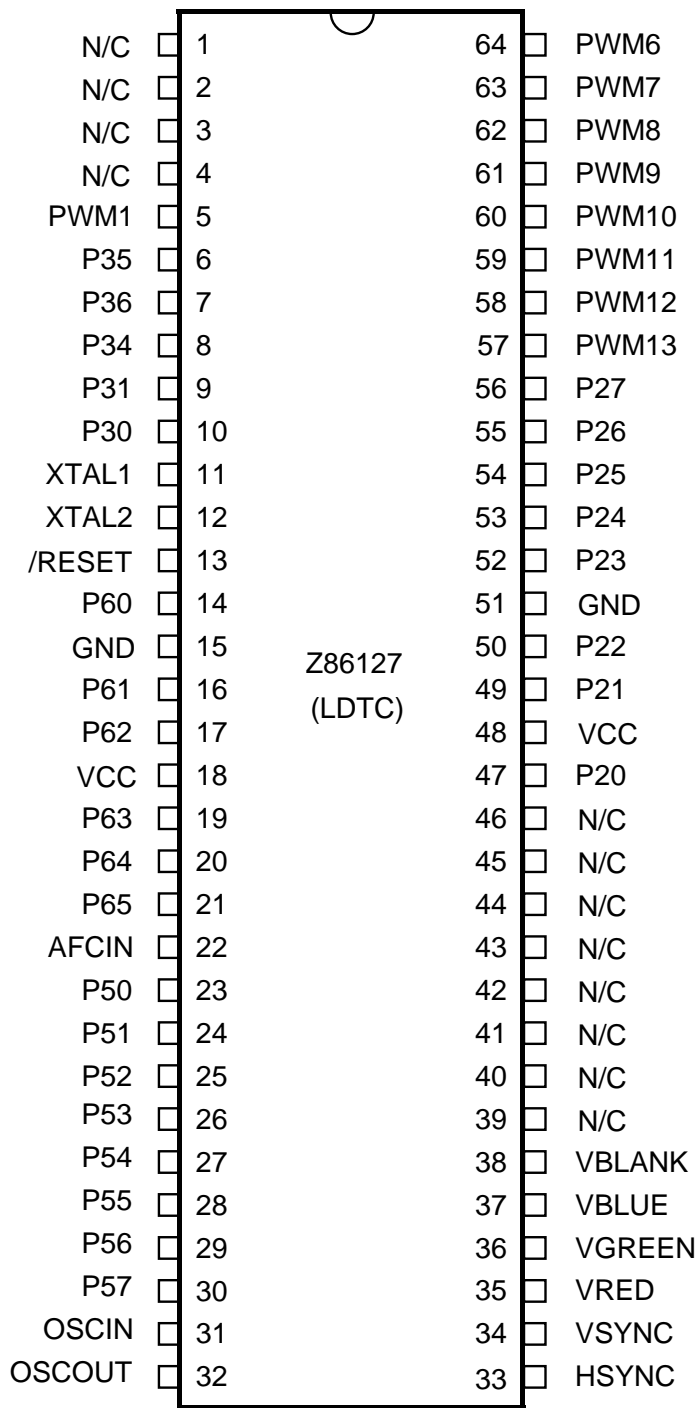
Connection	Circuit	Device
Power	V _{CC}	V _{DD}
Ground	GND	V _{SS}

GENERAL DESCRIPTION (Continued)



Functional Block Diagram

PIN CONFIGURATION



64-Pin Mask-ROM Plastic DIP

ABSOLUTE MAXIMUM RATINGS

Stresses greater than those listed under Absolute Maximum Ratings may cause permanent damage to the device. This is a stress rating only; operation of the device at any condition above those indicated in the operational

sections of this specification is not implied. Exposure to absolute maximum rating conditions for extended periods may affect device reliability.

Symbol	Parameters	Min	Max	Units	Notes
V_{CC}	Power Supply Voltage*	-0.3	+7	V	
V_I	Input Voltage	-0.3	$V_{CC}+0.3$	V	
V_I	Input Voltage	-0.3	$V_{CC}+0.3$	V	[1]
V_O	Output Voltage	-0.3	$V_{CC}+8.0$	V	[2]
I_{OH}	Output Current High		-10	mA	1 pin
I_{OH}	Output Current High		-100	mA	All total
I_{OL}	Output Current Low		20	mA	1 pin
I_{OL}	Output Current Low		40	mA	[3] (1 pin)
I_{OL}	Output Current Low		200	mA	All total
T_A	Operating Temperature	†			
T_{STG}	Storage Temperature	-65	+150	C	

Notes:

[1] Port 2 open drain

[2] PWM open-drain outputs

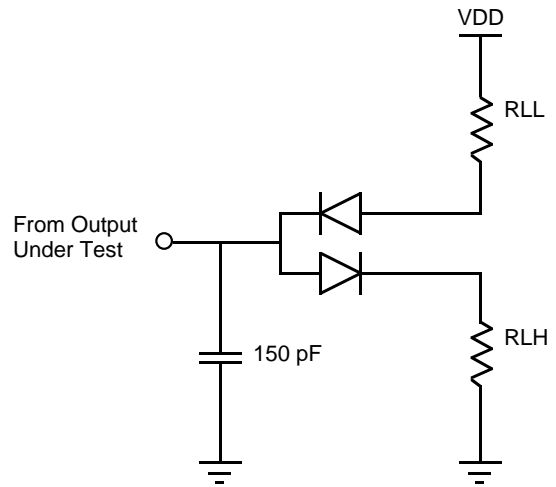
[3] Port 5

* Voltage on all pins with respect to GND.

† See Ordering Information

STANDARD TEST CONDITIONS

The characteristics listed below apply for standard test conditions as noted. All voltages are referenced to GND. Positive current flows into the referenced pin (Test Load Diagram).



Test Load Diagram

CAPACITANCE

$T_A=25^{\circ}\text{C}$; $V_{CC}=\text{GND}=0\text{V}$; Freq=1.0 MHz; unmeasured pins to GND.

Parameter	Max	Units
Input capacitance	10	pF
Output capacitance	20	pF
I/O capacitance	25	pF
AFC_{IN} input capacitance	10	pF

DC CHARACTERISTICS

$T_A=0^{\circ}\text{C}$ to $+70^{\circ}\text{C}$; $V_{CC}=+4.5\text{V}$ to $+5.5\text{V}$; $F_{OSC}=4\text{ MHz}$

Sym	Parameter	$T_A=0^{\circ}\text{C}$ to $+70^{\circ}\text{C}$		Typical @ 25°C	Units	Conditions
		Min	Max			
V_{IL}	Input Voltage Low	0	$0.2 V_{CC}$	1.48	V	
V_{ILC}	Input XTAL/Osc In Low		$0.07 V_{CC}$	0.98	V	External Clock Generator Driven
V_{IH}	Input Voltage XTAL/Osc In High	$0.7 V_{CC}$	V_{CC}	3.2	V	External Clock Generator Driven
V_{IHC}	Input XTAL/Osc in High	$0.8 V_{CC}$	V_{CC}	3.0	V	External Clock Generator Driven
V_{HY}	Schmitt Hysteresis	$0.1 V_{CC}$		0.8	V	
V_{PU}	Maximum Pull-up Voltage		12		V	[2]
V_{OL}	Output Voltage Low		0.4	0.16	V	$I_{OL}=1.00\text{mA}$
			0.4	0.19	V	$I_{OL}=3.2\text{mA}$, [1]
			0.4	0.19	V	$I_{OL}=0.75\text{mA}$ [2]
			1.5	1.00	V	$I_{OL}=10\text{mA}$ [1]
V_{00-01}	AFC Level 01 In		$0.45 V_{CC}$	1.9	V	
V_{01-11}	AFC Level 11 In	$0.5 V_{CC}$	$0.75 V_{CC}$	3.12	V	
V_{OH}	Output Voltage High	$V_{CC}-0.4$		4.75	V	$I_{OH}=-0.75\text{mA}$
I_{IR}	Reset Input Current		-80	-46	μA	$V_{RL}=0\text{V}$
I_{IL}	Input Leakage	-3.0	3.0	0.01	μA	$0\text{V}, V_{CC}$
I_{OL}	Tri-State Leakage	-3.0	3.0	0.02	μA	$0\text{V}, V_{CC}$
I_{CC}	Supply Current		20	13.2	mA	All inputs at rail
			6	3.2	mA	All inputs at rail
			10	0	μA	All inputs at rail

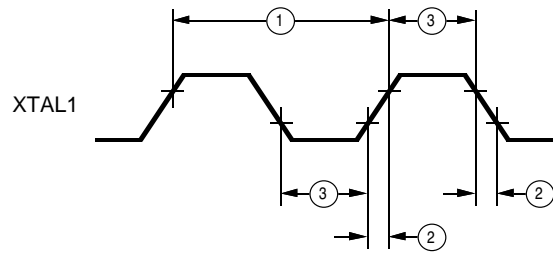
Notes:

[1] Port 5

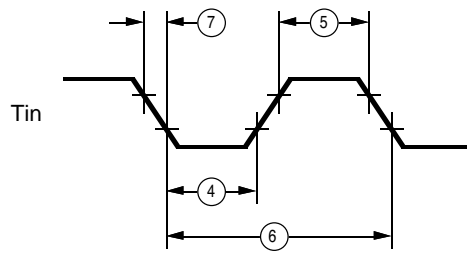
[2] PWM open drain

AC CHARACTERISTICS

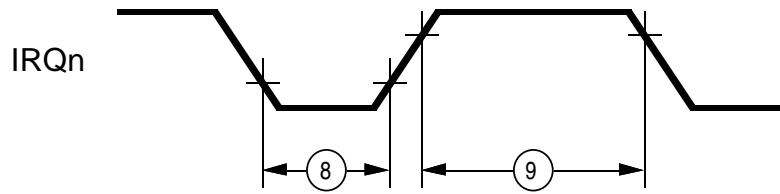
Timing Diagrams



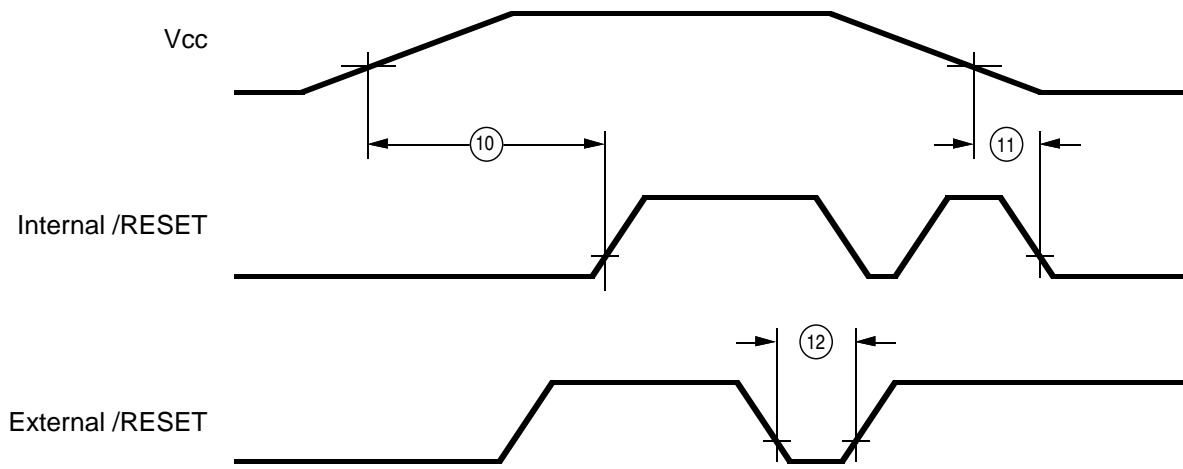
External Clock



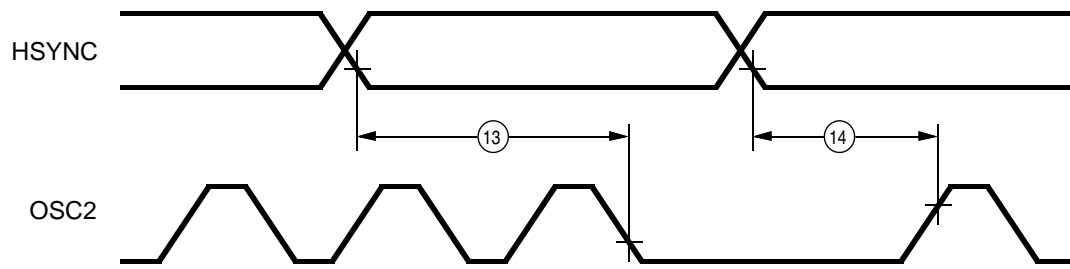
Counter Timer



Interrupt Request



Power On Reset



On Screen Display

AC CHARACTERISTICS

$T_A=0^\circ\text{C}$ to $+70^\circ\text{C}$; $V_{CC}=+4.5\text{V}$ to $+5.5\text{V}$; $F_{osc}=4\text{ MHz}$,

No	Symbol	Parameter	Min	Max	Unit
1	TpC	Input Clock Period	250	1000	ns
2	TrC,TfC	Clock Input Rise and Fall		15	ns
3	TwC	Input Clock Width	70		ns
4	TwTinL	Timer Input Low Width	70		ns
5	TwTinH	Timer Input High Width	3TpC		
6	TpTin	Timer Input Period	8TpC		
7	TrTin,TfTin	Timer Input Rise and Fall		100	ns
8a	TwIL	Int Req Input Low	70		ns
8b	TwIL		3TpC		
9	TwIH	Int Request Input High	3TpC		
10	TdPOR	Power On Reset Delay	25	100	ms
11	TdLVIRES	Low Voltage Detect to Internal RESET Condition	200		ns
12	TwRES	Reset Minimum Width	5TpC		
13	TdHsOI	H_{sync} Start to V_{osc} Stop	2TpV	3TpV	
14	TdHsOh	H_{sync} End to V_{osc} Start		1TpV	
15	TdWDT	WDT Refresh Time		12	ms

Note:

Refer to DC Characteristics for details on switching levels.

© 1991 by Zilog, Inc. All rights reserved. No part of this document may be copied or reproduced in any form or by any means without the prior written consent of Zilog, Inc. The information in this document is subject to change without notice. Devices sold by Zilog, Inc. are covered by warranty and patent indemnification provisions appearing in Zilog, Inc. Terms and Conditions of Sale only. Zilog, Inc. makes no warranty, express, statutory, implied or by description, regarding the information set forth herein or regarding the freedom of the described devices from intellectual property infringement. Zilog, Inc. makes no warranty of mer-

chantability or fitness for any purpose. Zilog, Inc. shall not be responsible for any errors that may appear in this document. Zilog, Inc. makes no commitment to update or keep current the information contained in this document.

Zilog, Inc. 210 East Hacienda Ave.
Campbell, CA 95008-6600
Telephone (408) 370-8000
Telex 171-980 A/B ZILOG CPTO
FAX 408 370-8056/8027