

DUAL EQUALIZER AMPLIFIER

— YD3161

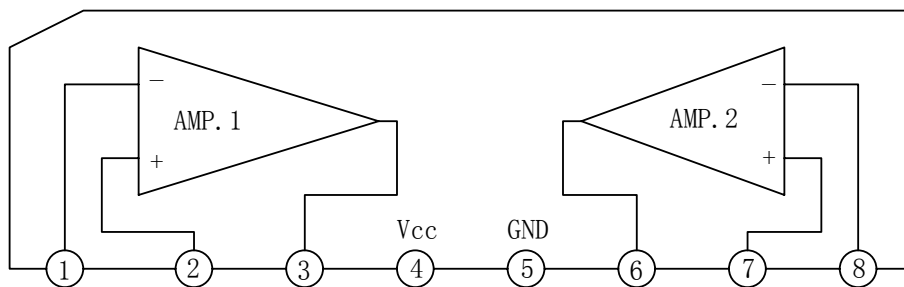
DESCRIPTION

YD3161 is 2-Channel Preamplifier For Car Stereo

FEATURES

- On-chip 2 preamplifiers.
- Good ripple rejection owing to on-chip voltage regulator.
- Minimum number of external parts required.
- Low noise.
- 8-pin SIP package facilitating easy mounting.

BLOCK DIAGRAM



OUTLINE FUNCTION

PIN	Name	Function	PIN	Name	Function
1	NF1	Feedback 1	5	GND	GND
2	IN1	Input 1	6	OUT2	Output 2
3	OUT1	Output 1	7	IN2	Input 2
4	Vcc	Vcc	8	NF2	Feedback 2

WuXi YouDa Electronics Co., Ltd

Add: No.5 Xijin Road, National Hi-Tech Industrial Development Zone, Wuxi Jiangsu China

Tel: 86-510-85205117 86-510-85205106 Fax: 86-510-85205110 Website: www.e-youda.com

SHENZHEN OFFICE Tel: 86-755-83740369 Fax: 86-755-83741418

ABSOLUTE MAXIMUM RATINGS ($T_{amb}=25^{\circ}\text{C}$)

PARAMETER	SYMBOL	VALUE	UNIT
Supply Voltage	V _{CC}	18	V
Power Dissipation	P _D	200	mW
Operating Temperature	T _{opr}	-20~+75	°C
Storage Temperature	T _{stg}	-40~+125	°C

Recommended Operating Conditions ($T_{amb}=25^{\circ}\text{C}$)

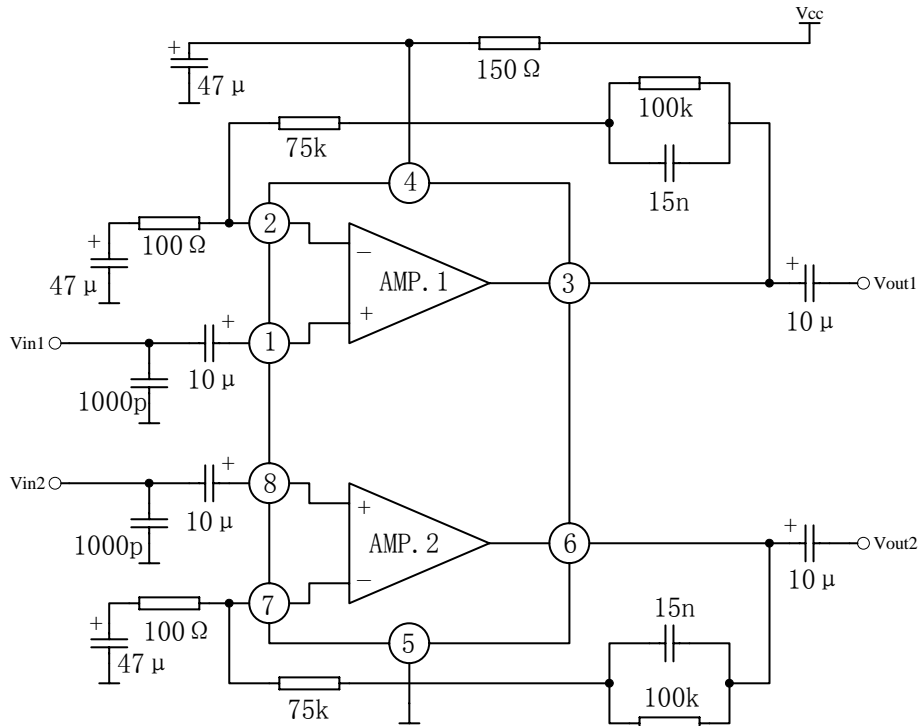
PARAMETER	SYMBOL	VALUE	UNIT
Supply Voltage	V _{CC}	9	V
Load Resistance	R _L	10k	Ω

ELECTRICAL CHARACTERISTICS

($T_{amb}=25^{\circ}\text{C}$, V_{CC}=9V, f=1kHz, R_L=10kΩ, R_g=600Ω, Unless otherwise specified)

PARAMETER	SYMBOL	TEST CONDITIONS	MIN	TYP	MAX	UNIT
Quiescent Current	I _{ccq}	V _i =0		6.5	8.0	mA
Open Loop Voltage Gain	G _{vo}	V _o =0.775V	70	78		dB
Closed Loop Voltage Gain	G _v	V _o =0.775V		35		dB
Output Voltage	V _o	THD=1%	1.0	1.3		V
Total Harmonic Distortion	THD	V _o =0.5V		0.05	0.30	%
Input Resistance	Z _i		70	100		kΩ
Input Noise Voltage	V _{Ni}	R _g =2.2kΩ, BW=20Hz~20kHz		1.2	2.0	μV
Cross Talk	CT	R _g =2.2kΩ,	-50	-65		dB
Ripple Rejection	R.R			-40		dB

APPLICATION CIRCUIT



OUTLINE DRAWING

