

**SINGLE-CHIP FM/AM RADIO IC—YD1619**

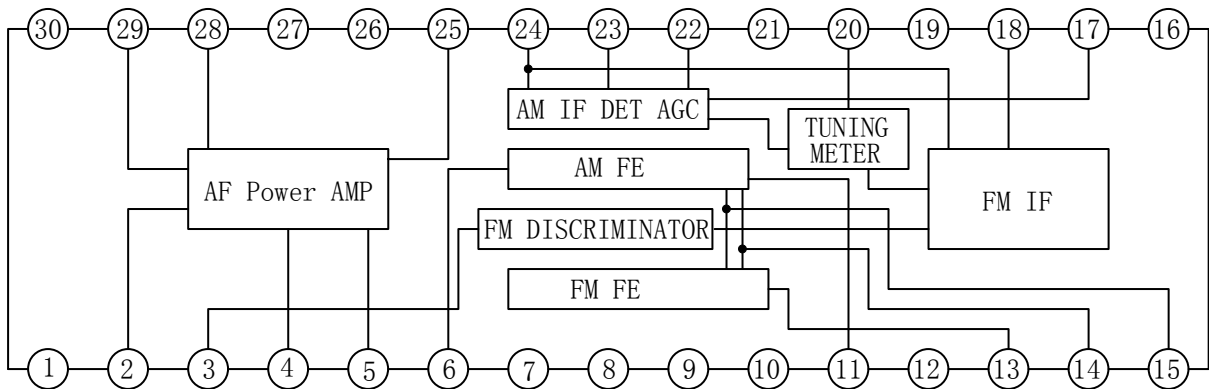
**DESCRIPTION**

The YD1619 is a one-chip FM/AM radio IC designed for radio-cassette tape recorders.

**FEATURES**

- \*Small number of peripheral components.
- \*Low current consumption ( $V_{cc}=3V$ )  
 For FM:ID=5.3mA (Typ.)  
 For AM:ID=3.4mA (Typ.)
- \*Built-in FM/AM select switch.
- \*Built-in RF AGC, IF AGC circuit.
- \*Large output of AF amplifier.  
 $V_{cc}=6V$ ,EIAJ output=500mW (Typ.)  
 When load impedance  $8\ \Omega$

**BLOCK DIAGRAM**



**WuXi YouDa Electronics Co., Ltd**

Add: No.5 Xijin Road, National Hi-Tech Industrial Development Zone, Wuxi Jiangsu China

Tel: 86-510-85205117 86-510-85205106 Fax: 86-510-85205110 Website: www.e-youda.com

SHENZHEN OFFICE Tel: 86-755-83740369 13823533350 Fax: 86-755-83741418

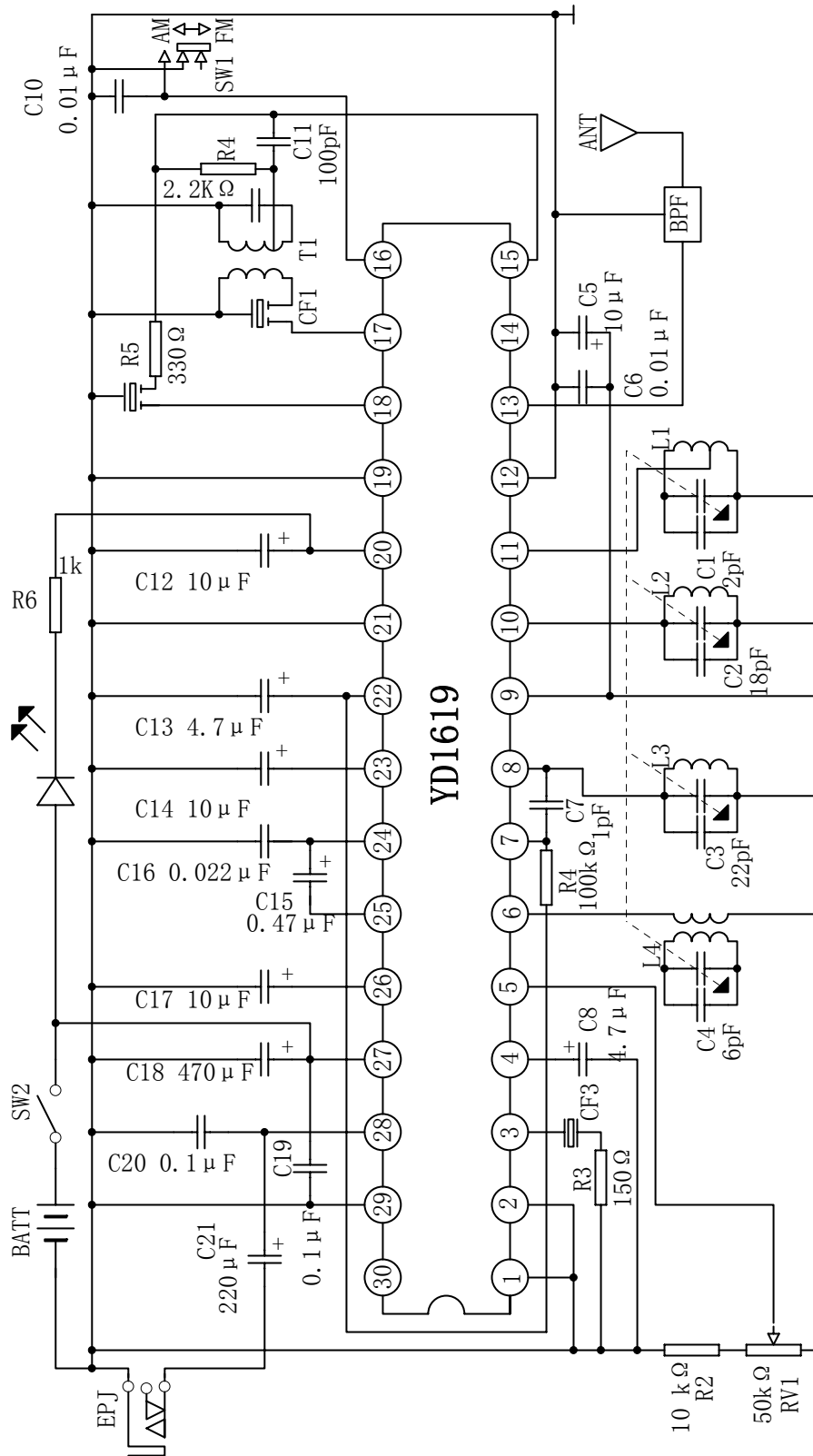
**ABSOLUTE MAXIMUM RATINGS** (Tamb=25°C)

PARAMETER	SYMBOL	VALUE	UNIT
Supply Voltage	Vcc	9	V
Power Dissipation	P <sub>D</sub>	1500	mW
Operating Temperature	Topr	-10~+70	°C
Storage Temperature	Tstg	-50~+125	°C

**ELECTRICAL CHARACTERISTICS** (Tamb=25°C, V<sub>CC</sub>=6V, Unless otherwise specified)

PARAMETER	SYMBOL	TEST CONDITIONS	MIN	TYP	MAX	UNIT
Quiescent Current	I <sub>ccq</sub>	AM, Vin=0		3.5	10.0	mA
		FM, Vin=0		7.0	14.0	
<b>FM:</b>						
Front End Voltage Gain	A <sub>V1</sub>	Vin1=40dB μ V/100MHz	32	39	46	dB
Detection Output	V <sub>D1</sub>	Vin1=90dB μ V/10.7MHz (1kHz,22.5kHz DEV)	39	77.5	155	mV
IF Knee Level	V <sub>SEN1</sub>	V <sub>in3</sub> =level at a point 3dB down		24	32	dB μ
Detection Output Distortion Factor	THD1	Vin1=90dB μ V/10.7MHz (1KHz, 75kHz DEV)		0.3	2.0	%
FM Meter Current	I <sub>BI</sub>	Vin3=60dB μ V/10.7MHz	1.8	3.5	7.0	mA
<b>AM:</b>						
Front End Voltage Gain	A <sub>V2</sub>	Vin2=80dB μ V/1660kHz	15	22	29	dB
IF Voltage Gain	V <sub>SEN2</sub>	455kHz(kHz 30% MOD), output is -3.4dBm	14	20	27	dB μ
Detector Output	V <sub>D2</sub>	Vin3=85dB μ V/455kHz (1kHz、 30%MOD)	39	77.5	155	mV
Meter Current	I <sub>B2</sub>	Vin3=85dB μ V/455kHz (kHz、 30%MOD)	1.3	3.0	7.0	mA
Detection Output Distortion Factor	THD2	Vin2=95dB μ V/1660kHz (1kHz、 30%MOD), Vcc=7.8V		0.6	2.0	%
Audio Voltage Gain	A <sub>V3</sub>	Vin3=60dB μ V/10.7MHz Vin4=30dBm/1kHz	27	31.5	36	dB
Audio Distortion Factor	THD3	Vin3=60dB μ V/10.7MHz Vin4=-20dBm/1kHz Output is 50mW		0.3	2.5	%

APPLICATION CIRCUIT



OUTLINE DRAWING

