



## Main

Accessory / separate part category	Cabling accessory
Accessory / separate part type	Pre-wired connectors
Series name	General purpose

## Complementary

Electrical connection	Elbowed female connector M8, 3 pins
Cable connector fixing	Screw-on
Collar material	Metal
Status LED	2 NPN LEDs
Cable length	10 m
Cable outer diameter	5.2 mm
Cable composition	3 x 0.34 mm <sup>2</sup>
Wire insulation material	PUR
[Ue] rated operational voltage	10...30 V DC
[In] rated current	4 A
Contact resistance	5000 µOhm
Minimum insulating resistance	1 GΩ
Net weight	0.225 kg

## Environment

IP degree of protection	IP67 IP69K IP65
Product certifications	CULus
Ambient air temperature for operation	-40...80 °C static -5...80 °C flexing
Ambient air temperature for storage	-40...80 °C

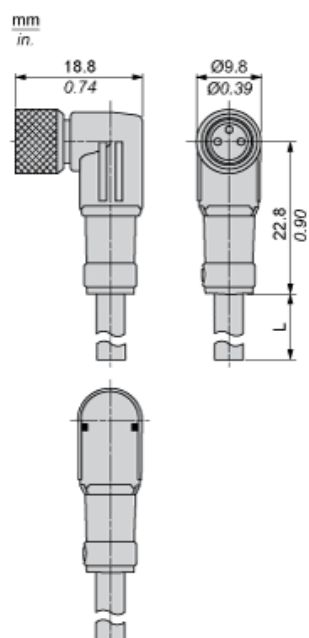
## Packing Units

Package 1 Weight	0.374 kg
Package 1 Height	0.400 dm
Package 1 width	1.800 dm
Package 1 Length	1.800 dm

## Contractual warranty

Warranty	18 months
----------	-----------

Dimensions



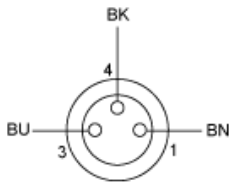
L : Length of cable

---

Connections and Schemes

---

Connector



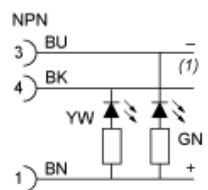
BU : Blue  
BN : Brown  
BK : Black

---

Connections and Schemes

---

LED Connection



BU : Blue  
BK : Black  
BN : Brown  
GN : Green  
YW : Yellow  
(1) Signal