

Secure SerialFlash

FEATURES

- **64-bit Password Security**
 - Five 64-bit Passwords for Read, Program and Reset
- **16384 Byte+64 Byte Password Protected Arrays**
 - Separate Read Passwords
 - Separate Write Passwords
 - Reset Password
- **Programmable Passwords**
- **Retry Counter Register**
 - Allows 8 tries before clearing of both arrays
 - Password Protected Reset
- **32-bit Response to Reset (RST Input)**
- **64 byte Sector Program**
- **400kHz Clock Rate**
- **2 wire Serial Interface**
- **Low Power CMOS**
 - 2.7 to 5.5V operation
 - Standby current Less than 1µA
 - Active current less than 3 mA
- **High Reliability Endurance:**
 - 100,000 Write Cycles
- **Data Retention: 100 years**
- **Available in:**
 - SmartCard Module
 - TQFP Package

DESCRIPTION

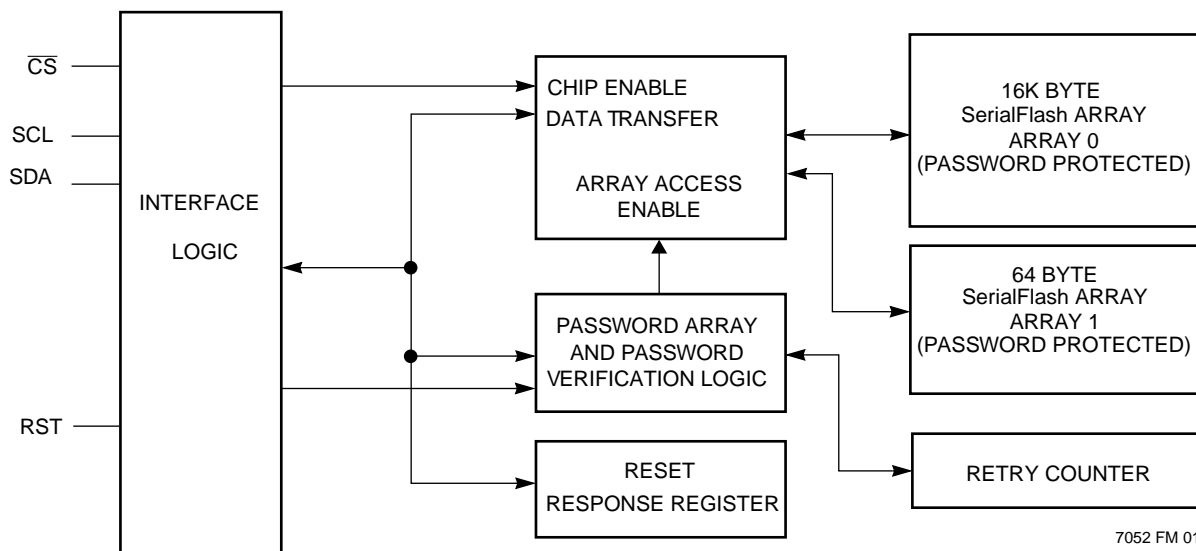
The X76F128 is a Password Access Security Supervisor, containing one 131072-bit Secure SerialFlash array and one 512-bit Secure SerialFlash array. Access to each memory array is controlled by two 64-bit passwords. These passwords protect read and write operations of the memory array. A separate RESET password is used to reset the passwords and clear the memory arrays in the event the read and write passwords are lost.

The X76F128 features a serial interface and software protocol allowing operation on a popular two wire bus. The bus signals are a clock Input (SCL) and a bidirectional data input and output (SDA). Access to the device is controlled through a chip select (CS) input, allowing any number of devices to share the same bus.

The X76F128 also features a synchronous response to reset providing an automatic output of a hard-wired 32-bit data stream conforming to the industry standard for memory cards.

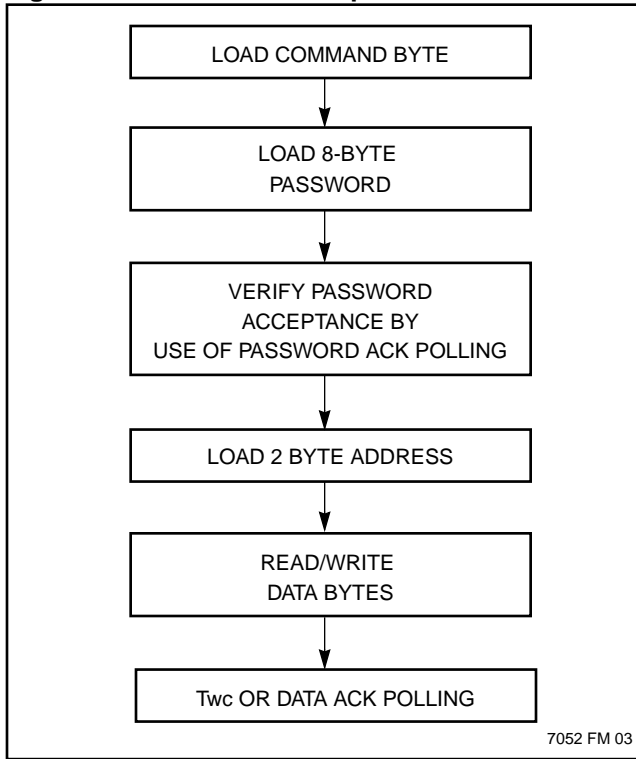
The X76F128 utilizes Xicor's proprietary Direct Write™ cell, providing a minimum endurance of 100,000 cycles and a minimum data retention of 100 years.

Functional Diagram



X76F128

Figure 1. X76F128 Device Operation



Retry Counter

The X76F128 contains a retry counter. The retry counter allows 8 accesses with an invalid password before any action is taken. The counter will increment with any combination of incorrect passwords. If the retry counter overflows, all memory areas are cleared and the device is locked by preventing any read or write array password matches. The passwords are unaffected. If a correct password is received prior to retry counter overflow, the retry counter is reset and access is granted. In order to reset the operation of a locked up device, a special reset command must be used with a RESET PASSWORD.

Device Protocol

The X76F128 supports a bidirectional bus oriented protocol. The protocol defines any device that sends data onto the bus as a transmitter and the receiving device as a receiver. The device controlling the transfer is a master and the device being controlled is the slave. The master will always initiate data transfers and provide the clock for both transmit and receive operations. Therefore, the X76F128 will be considered a slave in all applications.

Clock and Data Conventions

Data states on the SDA line can change only during SCL LOW. SDA changes during SCL HIGH are reserved for indicating start and stop conditions. Refer to Figure 2 and Figure 3.

Start Condition

All commands are preceded by the start condition, which is a HIGH to LOW transition of SDA when SCL is HIGH. The X76F128 continuously monitors the SDA and SCL lines for the start condition and will not respond to any command until this condition is met.

A start may be issued to terminate the input of a control byte or the input data to be written. This will reset the device and leave it ready to begin a new read or write command. Because of the push/pull output, a start cannot be generated while the part is outputting data. Starts are inhibited while a write is in progress.

Stop Condition

All communications must be terminated by a stop condition. The stop condition is a LOW to HIGH transition of SDA when SCL is HIGH. The stop condition is also used to reset the device during a command or data input sequence and will leave the device in the standby power mode. As with starts, stops are inhibited when outputting data and while a write is in progress.

Acknowledge

Acknowledge is a software convention used to indicate successful data transfer. The transmitting device, either master or slave, will release the bus after transmitting eight bits. During the ninth clock cycle the receiver will pull the SDA line LOW to acknowledge that it received the eight bits of data.

The X76F128 will respond with an acknowledge after recognition of a start condition and its slave address. If both the device and a write condition have been selected, the X76F128 will respond with an acknowledge after the receipt of each subsequent eight-bit word.

RESET DEVICE Command

The RESET DEVICE command is used to clear the retry counter and reactivate the device. When the RESET DEVICE command is used prior to the retry counter overflow, the retry counter is reset and no arrays or passwords are affected. If the retry counter has overflowed, all memory areas are cleared and all commands are blocked and the retry counter is disabled. Issuing a valid RESET DEVICE command (with reset password) to the device resets and re-enables the retry counter and re-enables the other commands. Again, the passwords are not affected.

RESET PASSWORD Command

A RESET PASSWORD command will clear both arrays and set all passwords to all zero.

X76F128

Figure 2. Data Validity

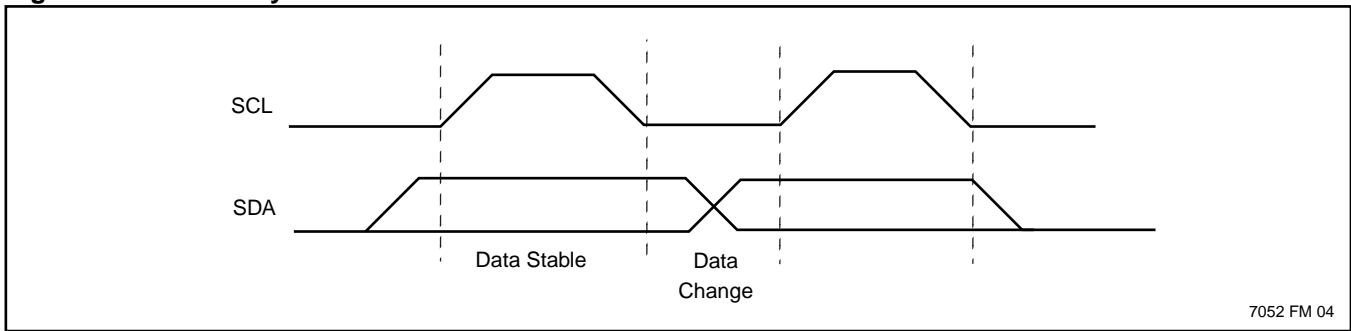


Figure 3. Definition of Start and Stop Conditions

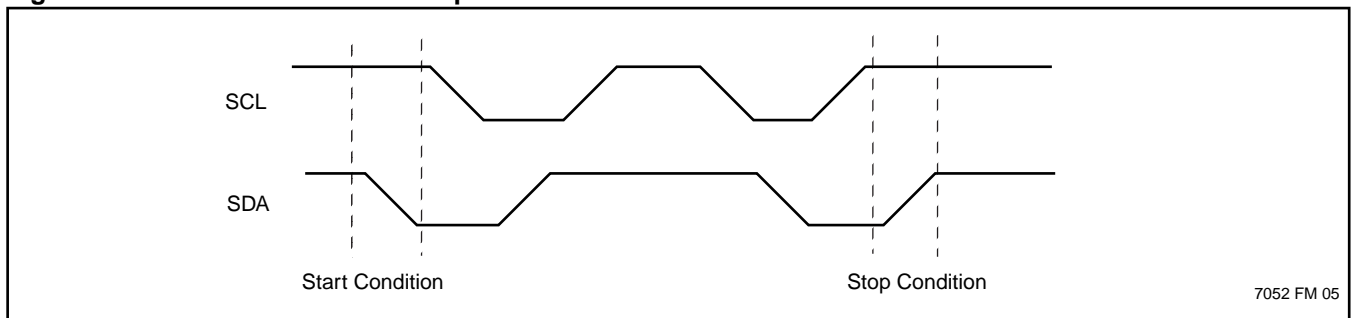


Table 1. X76F128 Instruction Set

| 1st Byte after Start | 1st Byte after Password | 2nd Byte after Password | Command Description | Password used |
|----------------------|-------------------------|-------------------------|---|---------------|
| 1000 0000 | High Address | Low address | Read (Array 0) | Read 0 |
| 1000 1000 | High Address | Low address | Read (Array 1) | Read 1 |
| 1001 0000 | High Address | Low address | Sector Write (Array 0) | Write 0 |
| 1001 1000 | High Address | Low address | Sector Write (Array 1) | Write 1 |
| 1010 0000 | 0000 0000 | 0000 0000 | Change Read 0 Password | Read 0 |
| 1010 1000 | 0000 0000 | 0000 0000 | Change Read 1 Password | Read 1 |
| 1011 0000 | 0000 0000 | 0000 0000 | Change Write 0 Password | Write 0 |
| 1011 1000 | 0000 0000 | 0000 0000 | Change Write 1 Password | Write 1 |
| 1100 0000 | 0000 0000 | 0000 0000 | Change Reset Password | Reset |
| 1110 0000 | not used | not used | RESET PASSWORD Command | Reset |
| 1110 1000 | not used | not used | RESET DEVICE Command | Reset |
| 1111 0000 | not used | not used | ACK Polling command (Ends Password operation) | None |
| All the rest | | | Reserved | |

7052 FM T04

Notes: Illegal command codes will be disregarded. The part will respond with a “no-ACK” to the illegal byte and then return to the standby mode. All write/read operations require a password.

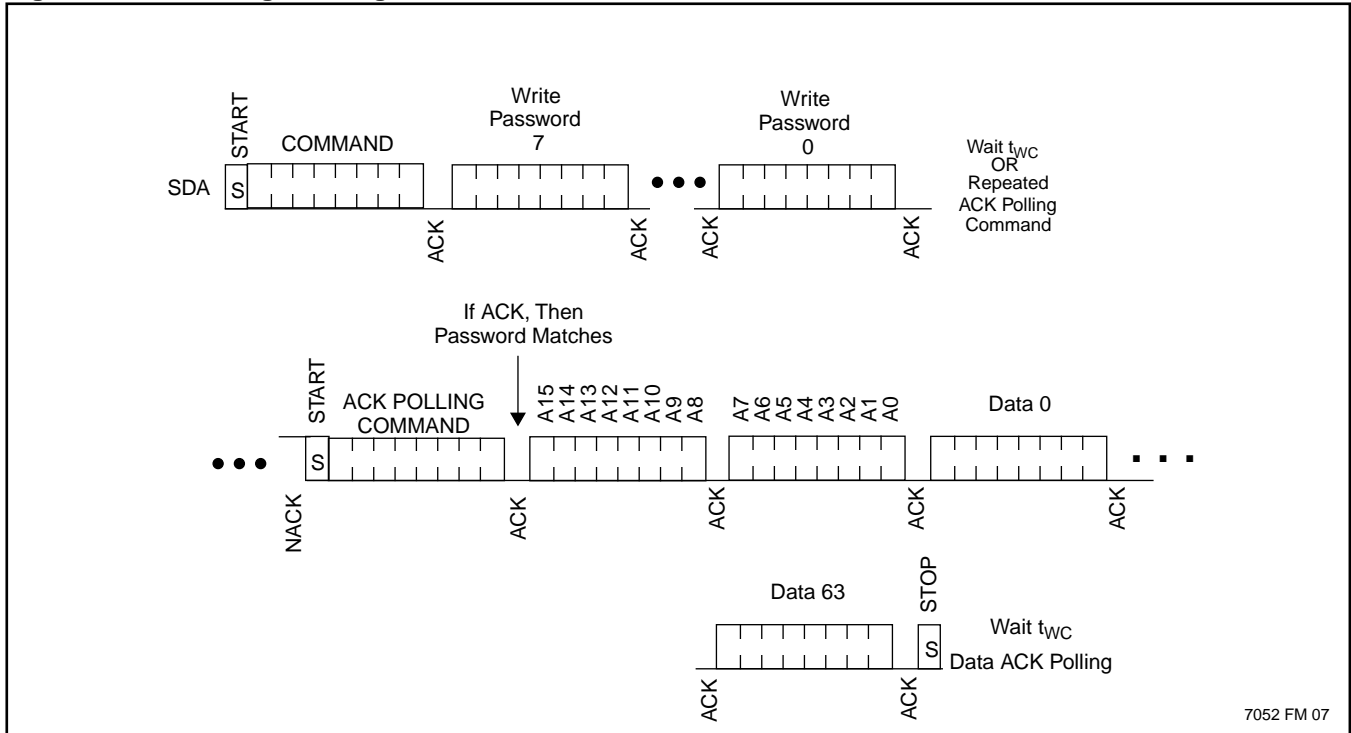
X76F128

PROGRAM OPERATIONS

Sector Programming

The sector program mode requires issuing the 8-bit write command followed by the password, password Ack command, the address and then the data bytes transferred as illustrated in figure 4. Up to 64 bytes may be transferred. After the last byte to be transferred is acknowledged a stop condition is issued which starts the nonvolatile write cycle.

Figure 4. Sector Programming

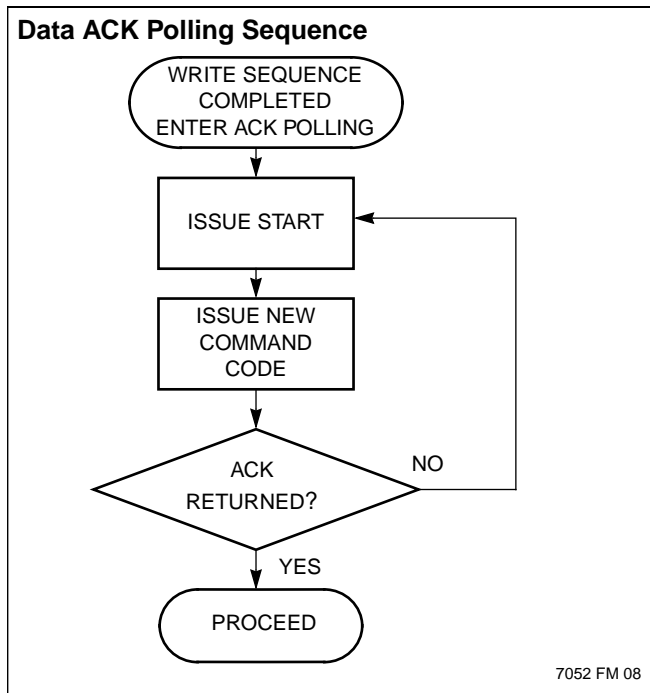


7052 FM 07

X76F128

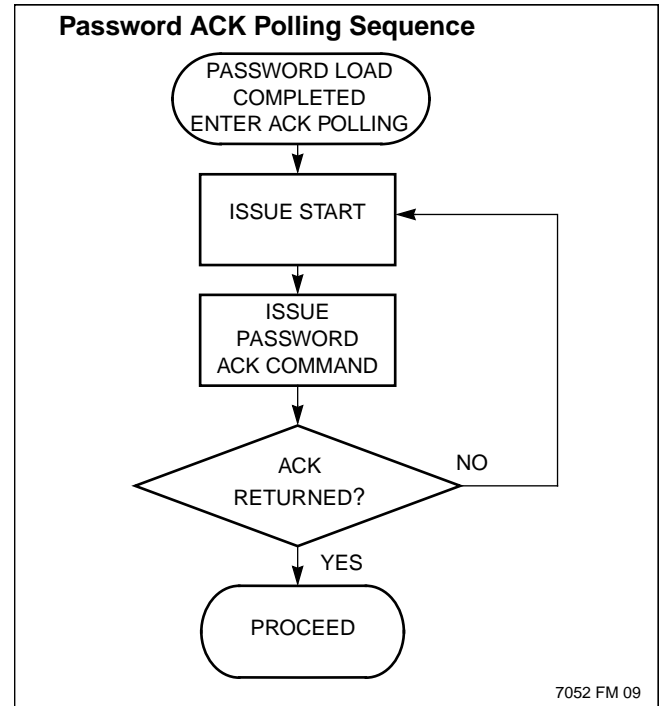
ACK Polling

Once a stop condition is issued to indicate the end of the host's write sequence, the X76F128 initiates the internal nonvolatile write cycle. In order to take advantage of the typical 5ms write cycle, ACK polling can begin immediately. This involves issuing the start condition followed by the new command code of 8 bits (1st byte of the protocol.) If the X76F128 is still busy with the nonvolatile write operation, it will issue a "no-ACK" in response. If the nonvolatile write operation has completed, an "ACK" will be returned and the host can then proceed with the rest of the protocol.



After the password sequence, there is always a nonvolatile write cycle. This is done to discourage random guesses of the password if the device is being tampered with. In order to continue the transaction, the X76F128

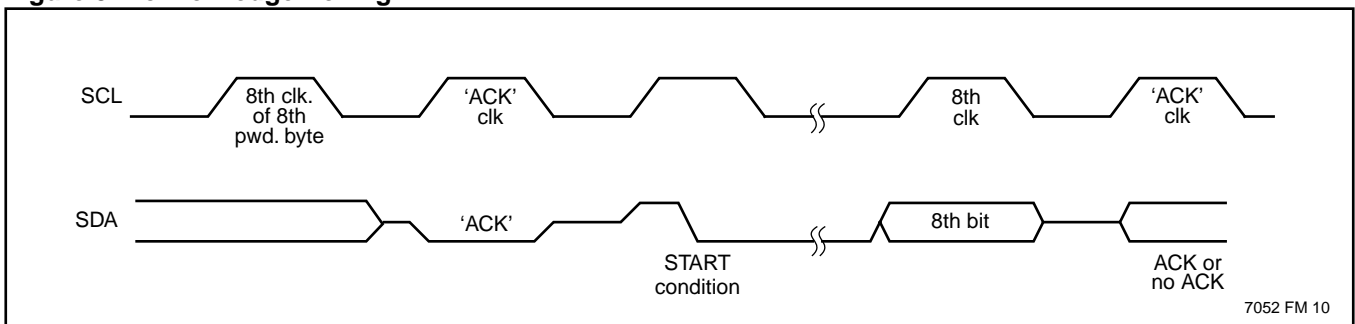
requires the master to perform an ACK polling with the specific code of F0h. As with regular Acknowledge polling the user can either time out for 10ms, and then issue the ACK polling once, or continuously loop as described in the flow.



If the password that was inserted was correct, then an "ACK" will be returned once the nonvolatile cycle is over, in response to the ACK polling cycle immediately following it.

If the password that was inserted was incorrect, then a "no ACK" will be returned even if the nonvolatile cycle is over. Therefore, the user cannot be certain that the password is incorrect until the 10ms write cycle time has elapsed.

Figure 5. Acknowledge Polling



X76F128

READ OPERATIONS

Read operations are initiated in the same manner as write operations but with a different command code.

Random Read

The master issues the start condition and a Read instruction and password, performs a Password Ack Polling, then issues the word address. Once the password has been acknowledged and first byte has been read, another start can be issued followed by a new 8-bit address. Random reads are allowed, but only the low order 8 bits can change. This limits random reads to a 512 byte block. Therefore, with a single password cycle only a 512 byte block of array 0 may be accessed randomly. To randomly access another block of array 0, a stop must be issued followed by a new command/address/password sequence. A random read of the array 1 can access all locations without another password command sequence.

Sequential Read

The host can read sequentially within an array after the password acceptance sequence. The data output is sequential, with the data from address n followed by the data from $n+1$. The address counter for read operations increments all address bits, allowing the entire memory array contents to be serially read during one operation. At the end of the address space (address 3FFFh for array 0, 3Fh for array 1), the counter “rolls over” to address 0 and the X76F128 continues to output data for each acknowledge received. Refer to figure 7 for the address, acknowledge and data transfer sequence. An acknowledge must follow each 8-bit data transfer. After the last bit has been read, a stop condition is generated without a preceding acknowledge.

Figure 6. Random Read

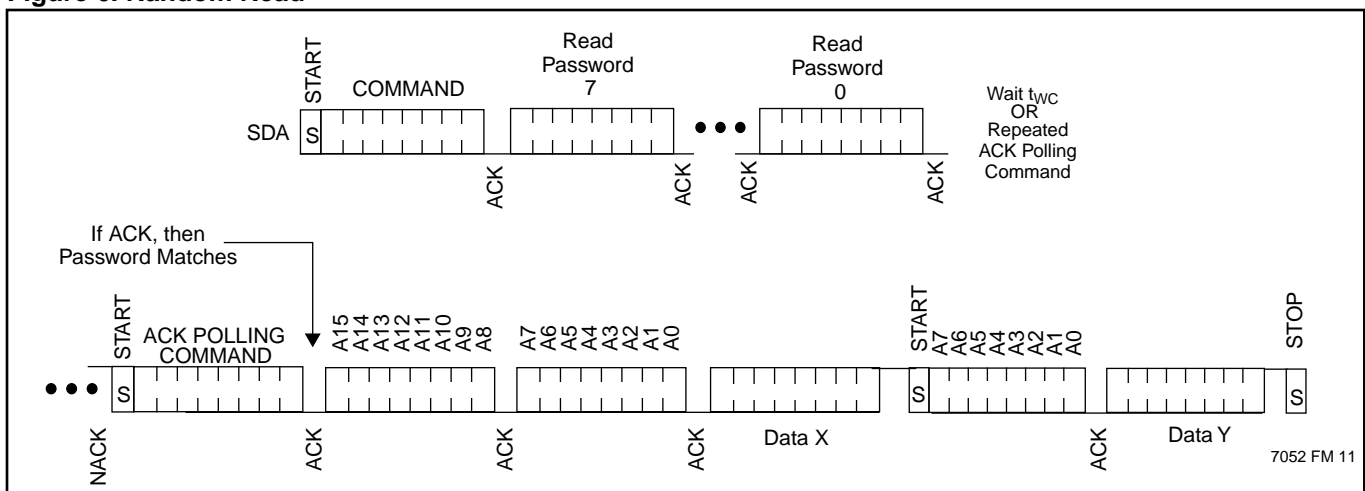
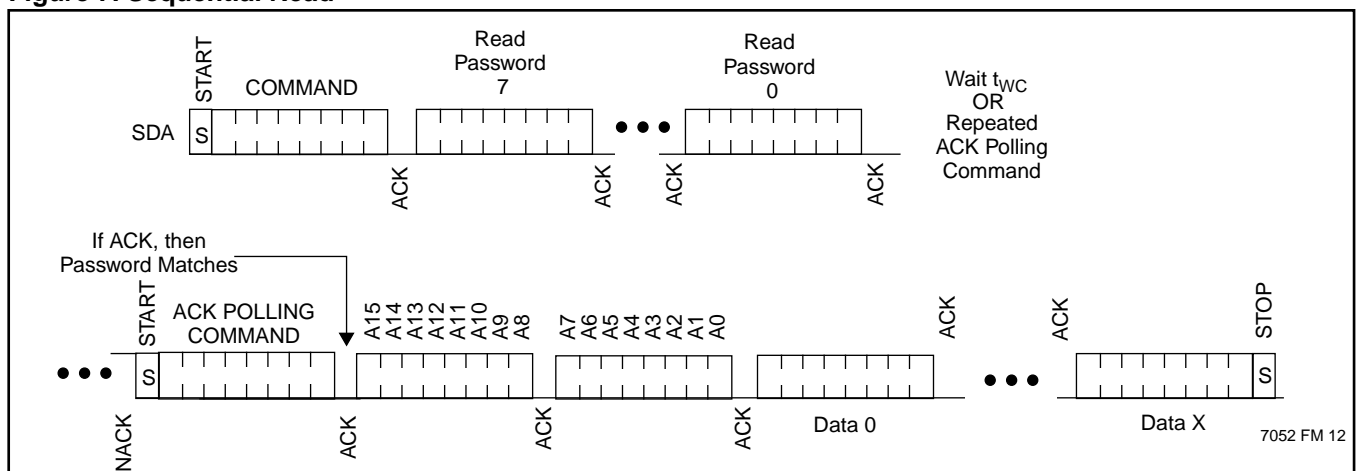


Figure 7. Sequential Read



X76F128

PASSWORDS

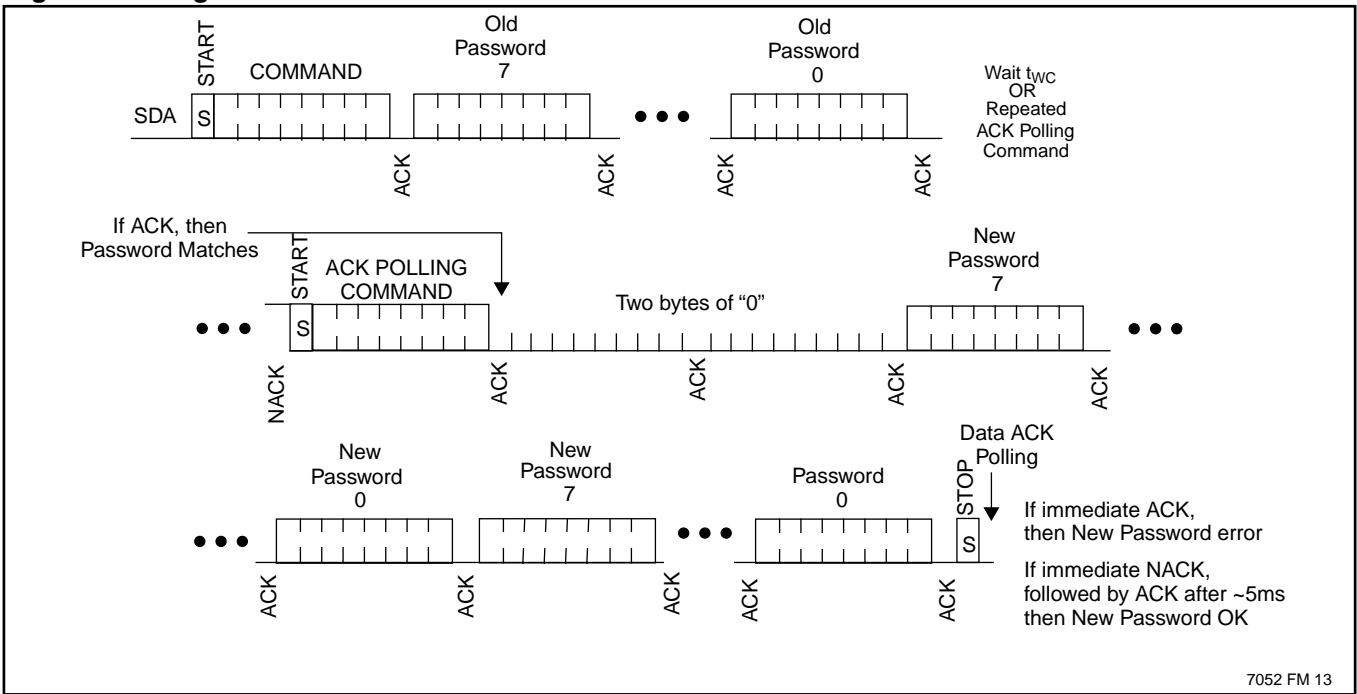
The sequence in Figure 8 shows how to change (program) the passwords. The programming of passwords is done twice prior to the nonvolatile write cycle in order to verify that the new password is consistent. After the eight bytes are entered in the second pass, a comparison takes place. A mismatch will cause the part to reset and enter into the standby mode.

Data ACK polling can be used to determine if a password has been loaded correctly, however the data ACK command must be issued less than 2ms after the stop bit.

After this time, it cannot be determined if the password has been loaded correctly, without trying the new password. To determine if the new password has been loaded correctly the data ACK polling command is issued immediately following the stop bit. If it returns an ACK, then the two passes of the new password entry do not match. If it returns a "no ACK" then the passwords match and a high voltage cycle is in progress. The high voltage cycle is complete when a subsequent data ACK command returns an "ACK".

There is no way to read any of the passwords.

Figure 8. Change Passwords



RESPONSE TO RESET

The X76F128 returns a unique 32 bits response to reset by implementing the following procedures:

- \overline{CS} goes LOW
- RST goes HIGH
- SCK toggles Low-HIGH-Low

- RST goes LOW
- Each subsequent clock forces next response to reset bit onto SO pin.

For the X76F128, the 32 bit sequence is 19h, 28h, AAh, 55h with each byte output LSB first. See Figure 11.

X76F128

Figure 9. Reset Password

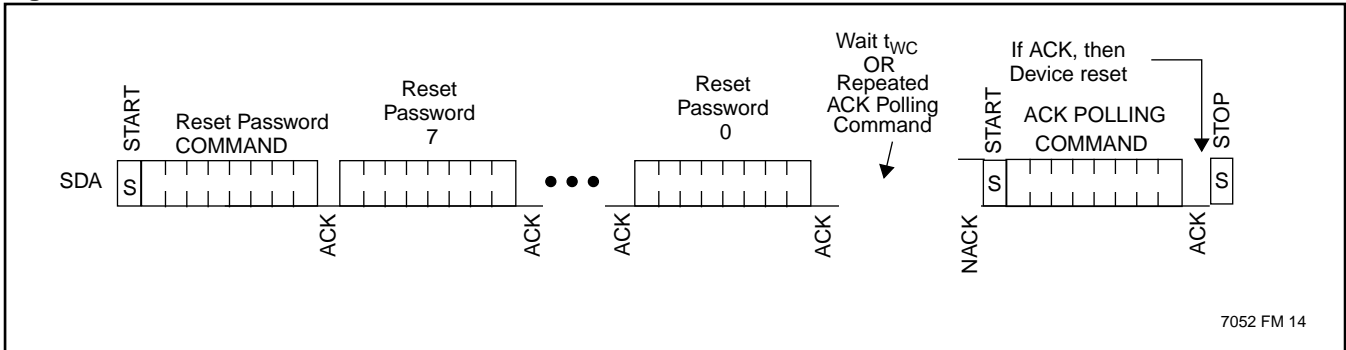


Figure 10. Reset Device

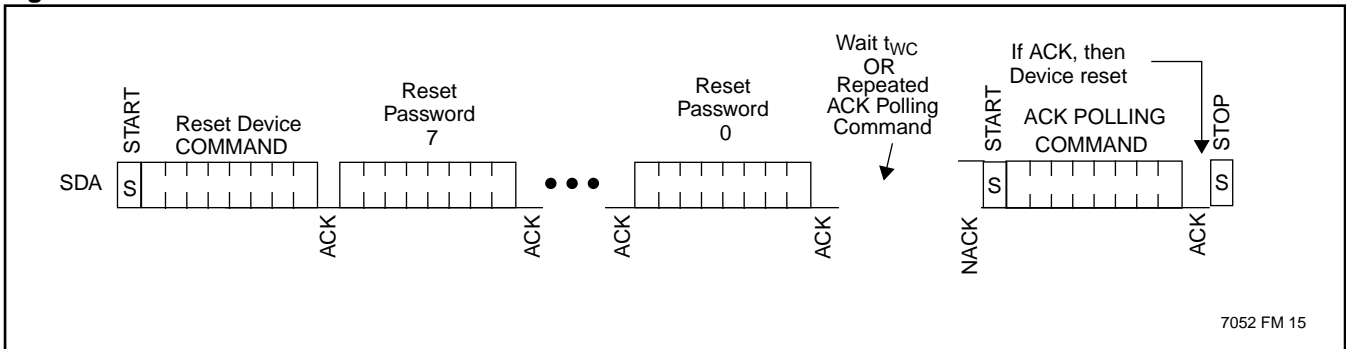
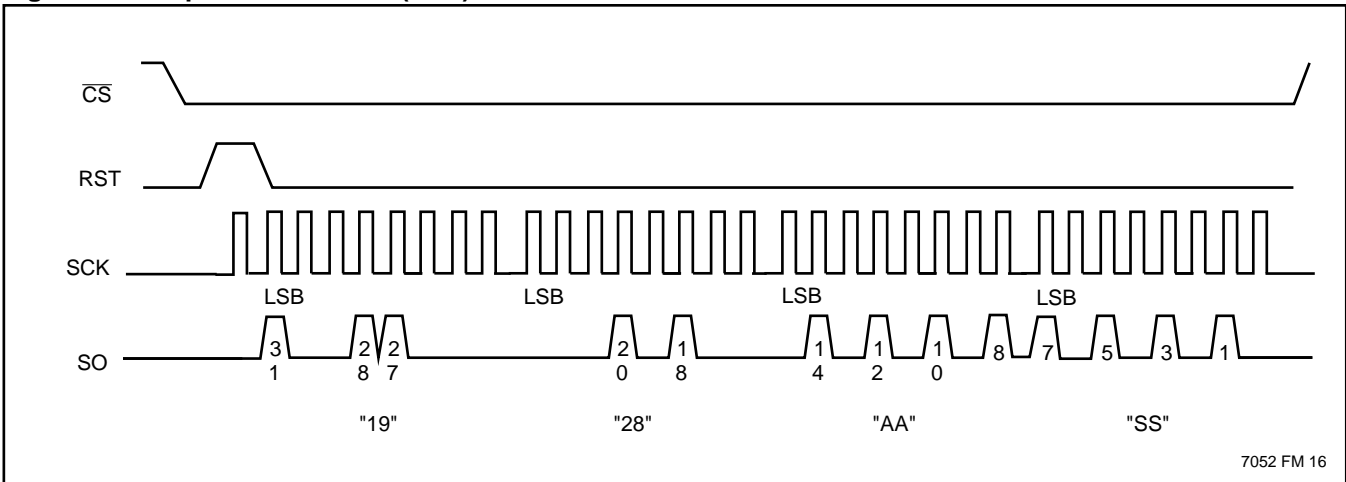


Figure 11. Response to RESET (RST)



ABSOLUTE MAXIMUM RATINGS*

| | |
|---|-----------------|
| Temperature under Bias | -65°C to +135°C |
| Storage Temperature | -65°C to +150°C |
| Voltage on any Pin with Respect to V _{SS} | -1V to +7V |
| D.C. Output Current | 5mA |
| Lead Temperature (Soldering, 10 seconds) | 300°C |

***COMMENT**

Stresses above those listed under “Absolute Maximum Ratings” may cause permanent damage to the device. This is a stress rating only and the functional operation of the device at these or any other conditions above those listed in the operational sections of this specification is not implied. Exposure to absolute maximum rating conditions for extended periods may affect device reliability.

X76F128

RECOMMENDED OPERATING CONDITIONS

| Temp | Min. | Max. |
|------------|-------|-------|
| Commercial | 0°C | +70°C |
| Extended | -20°C | +85°C |

7052 FM T05

| Supply Voltage | Limits |
|----------------|--------------|
| X76F128 | 4.5V to 5.5V |
| X76F128 – 2.7 | 2.7V to 3.6V |

7052 FM T06

D.C. OPERATING CHARACTERISTICS (Over the recommended operating conditions unless otherwise specified.)

| Symbol | Parameter | Limits | | Units | Test Conditions |
|-----------------|-----------------------------------|---------------------|---------------------|---------|---|
| | | Min. | Max. | | |
| I_{CC1} | V_{CC} Supply Current (Read) | | 1 | mA | $f_{SCL} = V_{CC} \times 0.1/V_{CC} \times 0.9$ Levels @ 400 KHz, SDA = Open RST = $\overline{CS} = V_{SS}$ |
| $I_{CC2}^{(3)}$ | V_{CC} Supply Current (Write) | | 3 | mA | $f_{SCL} = V_{CC} \times 0.1/V_{CC} \times 0.9$ Levels @ 400 KHz, SDA = Open RST = $\overline{CS} = V_{SS}$ |
| $I_{SB1}^{(1)}$ | V_{CC} Supply Current (Standby) | | 50 | μA | $V_{IL} = V_{CC} \times 0.1, V_{IH} = V_{CC} \times 0.9$ $f_{SCL} = 400$ KHz, $f_{SDA} = 400$ KHz |
| $I_{SB2}^{(1)}$ | V_{CC} Supply Current (Standby) | | 1 | μA | $V_{SDA} = V_{SCC} = V_{CC}$ Other = GND or $V_{CC}-0.3V$ |
| I_{LI} | Input Leakage Current | | 10 | μA | $V_{IN} = V_{SS}$ to V_{CC} |
| I_{LO} | Output Leakage Current | | 10 | μA | $V_{OUT} = V_{SS}$ to V_{CC} |
| $V_{IL1}^{(2)}$ | Input LOW Voltage | -0.5 | $V_{CC} \times 0.3$ | V | $V_{CC} = 5.5V$ |
| $V_{IH1}^{(2)}$ | Input HIGH Voltage | $V_{CC} \times 0.7$ | $V_{CC} + 0.5$ | V | $V_{CC} = 5.5V$ |
| $V_{IL2}^{(2)}$ | Input LOW Voltage | -0.5 | $V_{CC} \times 0.1$ | V | $V_{CC} = 3.0V$ |
| $V_{IH2}^{(2)}$ | Input HIGH Voltage | $V_{CC} \times 0.9$ | $V_{CC} + 0.5$ | V | $V_{CC} = 3.0V$ |
| V_{OL} | Output LOW Voltage | | 0.4 | V | $I_{OL} = 3mA$ |

7052 FM T07

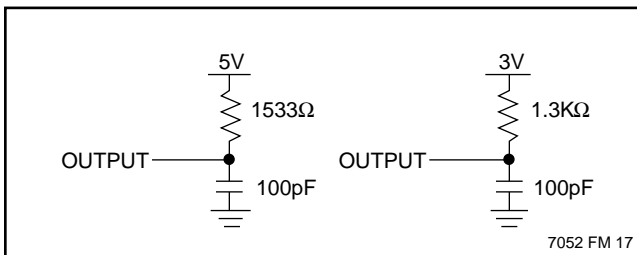
CAPACITANCE $T_A = +25^\circ C, f = 1MHz, V_{CC} = 5V$

| Symbol | Test | Max. | Units | Conditions |
|-----------------|--|------|-------|----------------|
| $C_{OUT}^{(3)}$ | Output Capacitance (SDA) | 8 | pF | $V_{I/O} = 0V$ |
| $C_{IN}^{(3)}$ | Input Capacitance (RST, SCL, \overline{CS}) | 6 | pF | $V_{IN} = 0V$ |

7052 FM T08

- NOTES:** (1) Must perform a stop command after a read command prior to measurement
 (2) V_{IL} min. and V_{IH} max. are for reference only and are not tested.
 (3) This parameter is periodically sampled and not 100% tested.

EQUIVALENT A.C. LOAD CIRCUIT



A.C. TEST CONDITIONS

| | |
|-------------------------------|--|
| Input Pulse Levels | $V_{CC} \times 0.1$ to $V_{CC} \times 0.9$ |
| Input Rise and Fall Times | 10ns |
| Input and Output Timing Level | $V_{CC} \times 0.5$ |
| Output Load | 100pF |

7052 FM T09

X76F128

AC CHARACTERISTICS

AC Specifications (Over the recommended operating conditions)

| Symbol | Parameter | Min | Typ ⁽¹⁾ | Max | Units |
|--------------------------------|--|--|--------------------|-----|-------|
| f _{SCL} | SCL Clock Frequency, X76F128 | 0 | | 400 | KHz |
| f _{SCL} | SCH Clock Frequency, X76F128-2.7 | 0 | | 250 | KHz |
| t _{IN} ⁽¹⁾ | Pulse width of spikes which must be suppressed by the input filter | 50 | 100 | | ns |
| t _{AA} | SCL LOW to SDA Data Out Valid | 0.1 | 0.3 | 0.9 | μs |
| t _{BUF} | Time the bus must be free before a new transmit can start | 1.3 | | | μs |
| t _{LOW} | Clock LOW Time | 1.3 | | | μs |
| t _{HIGH} | Clock HIGH Time | 0.6 | | | μs |
| t _{SU:STA} | Start Condition Setup Time | 0.6 | | | μs |
| t _{HD:STA} | Start Condition Hold Time | 0.6 | | | μs |
| t _{SU:DAT} | Data In Setup Time | 100 | | | ns |
| t _{HD:DAT} | Data In Hold Time | 0 | | | μs |
| t _{SU:STO} | Stop Condition Setup Time | 0.6 | | | μs |
| t _{DH} | Data Output Hold Time | 50 | 300 | | ns |
| t _R | SDA and SCL Rise Time | 20 + 0.1 × C _b ⁽²⁾ | | 300 | ns |
| t _F | SDA and SCL Fall Time | 20 + 0.1 × C _b ⁽²⁾ | | 300 | ns |
| t _{SU:CS} | \overline{CS} Setup Time | 200 | | | ns |
| t _{HD:CS} | \overline{CS} Hold Time | 100 | | | ns |
| f _{SCL_RST} | SCL Clock Frequency during Response to Reset | | | 400 | kHz |
| t _{SR} | Device Select to RST active | 200 | | | ns |
| t _{NOL} | RST to SCL Non-Overlap | 500 | | | ns |
| t _{RST} | RST High Time | 2.25 | | | μs |
| t _{SU:RST} | Response to Reset Setup Time | 1.25 | | | μs |
| t _{LOW_RST} | Clock LOW during Response to Reset | 1.25 | | | μs |
| t _{HIGH_RST} | Clock HIGH during Response to Reset | 1.25 | | | μs |
| t _{RDV} | RST LOW to SDA Valid During Response to Reset | 0 | | 500 | ns |
| t _{CDV} | CLK LOW to SDA Valid During Response to Reset | 0 | | 500 | ns |
| t _{DHZ} | Device Deselect to SDA high impedance | 0 | | 500 | ns |

Notes: 1. Typical values are for T_A = 25°C and V_{CC} = 5.0V

7052 FM T14

Notes: 2. C_b = Total Capacitance of one bus line in pf.

X76F128

RESET AC SPECIFICATIONS

Power Up Timing

| Symbol | Parameter | Min. | Typ ⁽²⁾ | Max. | Units |
|-----------------|-----------------------------|------|--------------------|------|-------|
| $t_{PUR}^{(1)}$ | Time from Power Up to Read | | | 1 | mS |
| $t_{PUW}^{(1)}$ | Time from Power Up to Write | | | 5 | mS |

7052 FM T11

- Notes:** 1. Delays are measured from the time V_{CC} is stable until the specified operation can be initiated. These parameters are periodically sampled and not 100% tested.
 2. Typical values are for $T_A = 25^\circ\text{C}$ and $V_{CC} = 5.0\text{V}$

Nonvolatile Write Cycle Timing

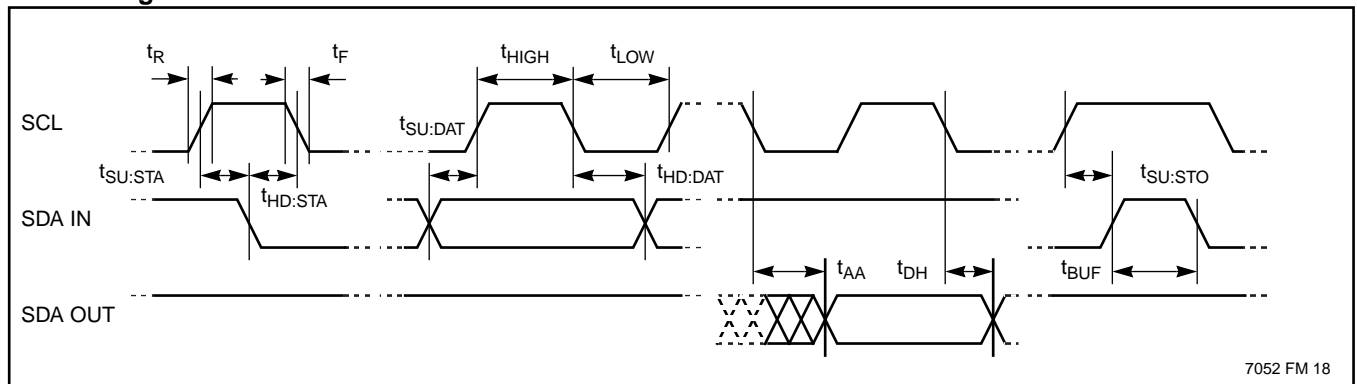
| Symbol | Parameter | Min. | Typ.(1) | Max. | Units |
|----------------|------------------|------|---------|------|-------|
| $t_{WC}^{(1)}$ | Write Cycle Time | | 5 | 10 | mS |

7052 FM T12

- Notes:** 1. t_{WC} is the time from a valid stop condition at the end of a write sequence to the end of the self-timed internal nonvolatile write cycle. It is the minimum cycle time to be allowed for any nonvolatile write by the user, unless Acknowledge Polling is used.

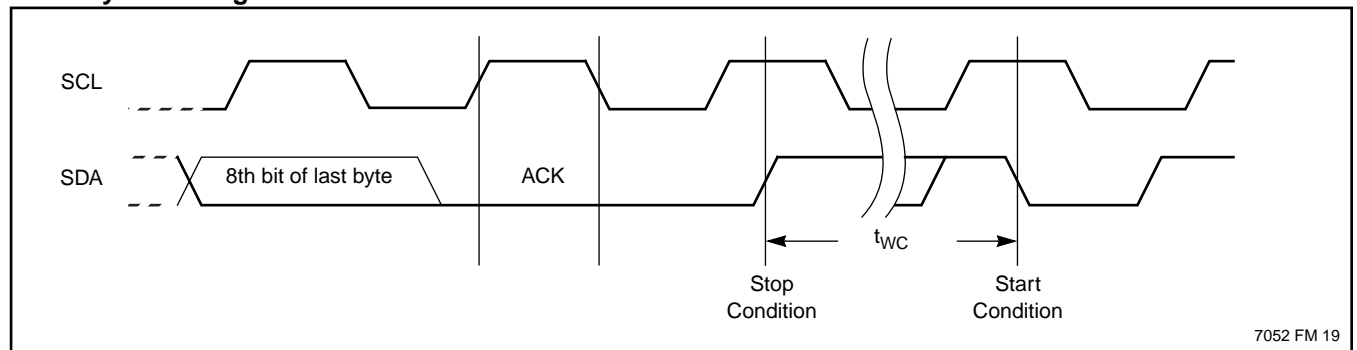
TIMING DIAGRAMS

Bus Timing



7052 FM 18

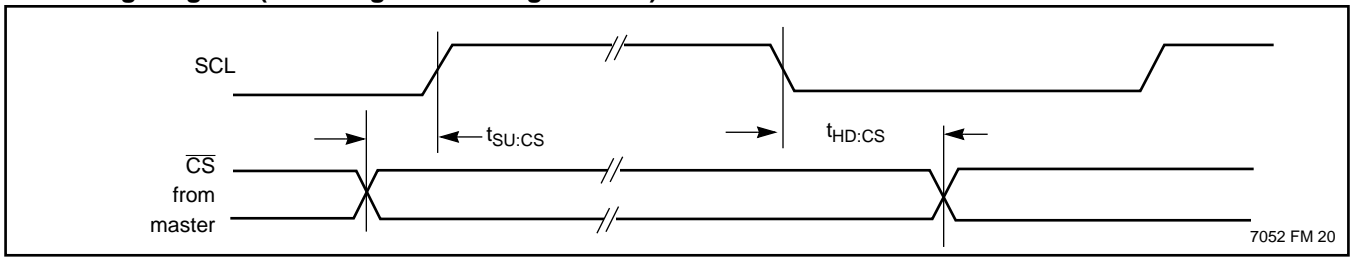
Write Cycle Timing



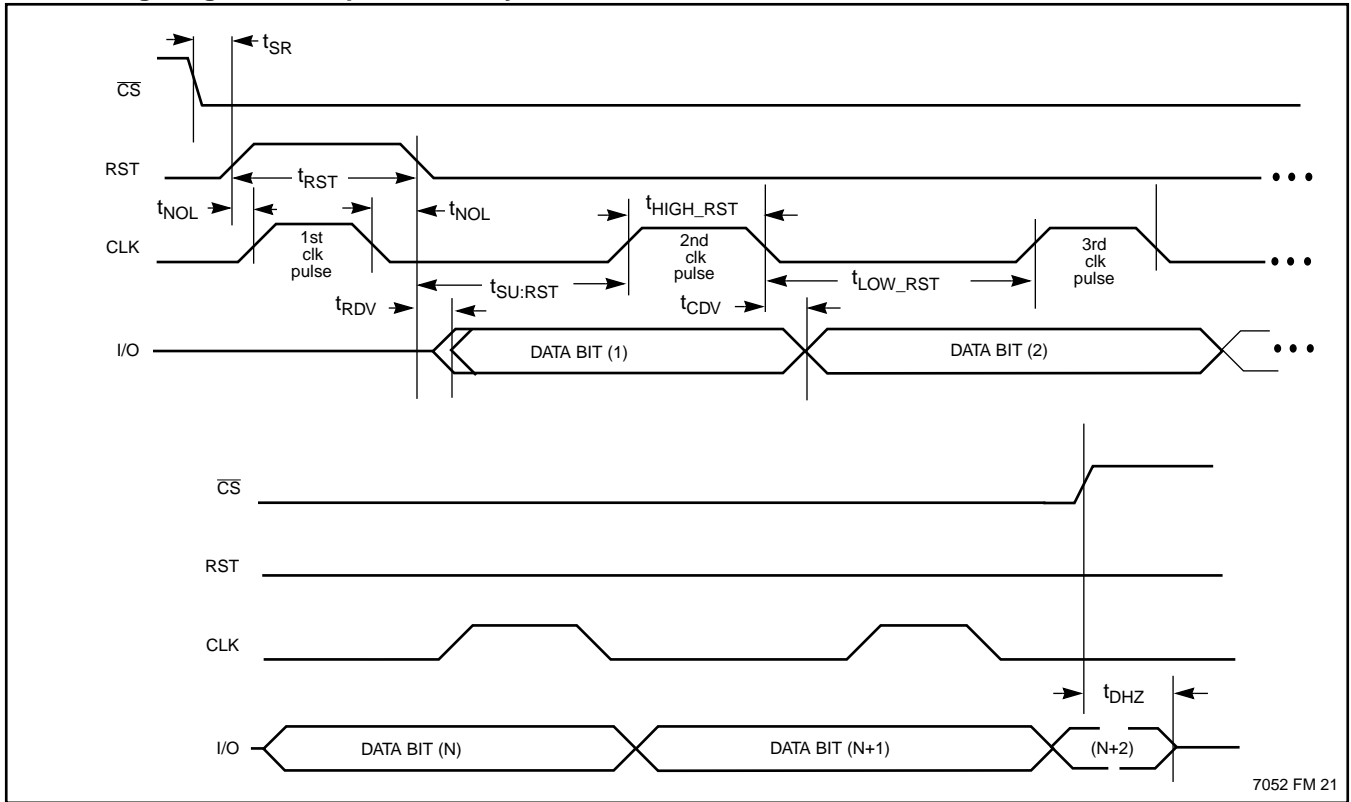
7052 FM 19

X76F128

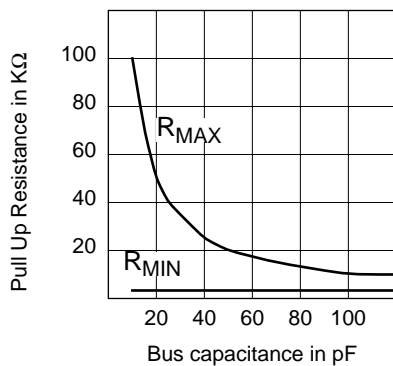
CS Timing Diagram (Selecting/Deselecting the Part)



RST Timing Diagram – Response to a Synchronous Reset



GUIDELINES FOR CALCULATING TYPICAL VALUES OF BUS PULL UP RESISTORS



$$R_{MIN} = \frac{V_{CCMAX}}{I_{OLMIN}} = 1.8K\Omega$$

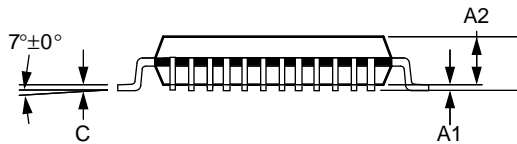
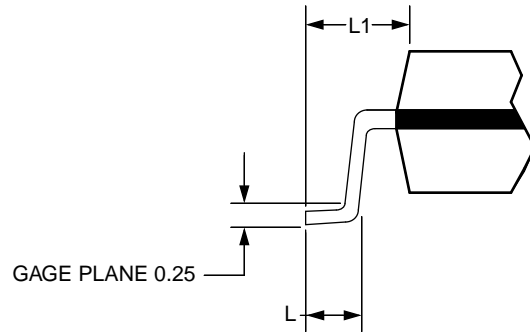
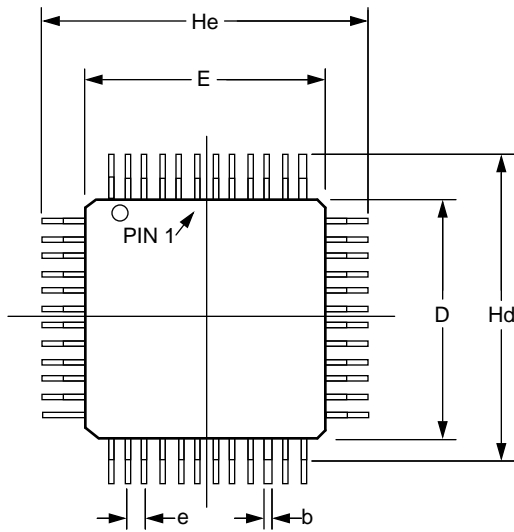
$$R_{MAX} = \frac{t_R}{C_{BUS}}$$

t_R = maximum allowable SDA rise time

X76F128

PACKAGING INFORMATION

48-LEAD THIN QUAD FLAT PACK (TQFP) PACKAGE TYPE L



| DIM | MILLIMETERS | | INCHES | |
|----------------|-------------|-------|-----------|-------|
| | MIN | MAX | MIN | MAX |
| A ₁ | 0.05 | 0.15 | 0.002 | 0.006 |
| A ₂ | 1.35 | 1.45 | 0.53 | 0.057 |
| b | 0.17 | 0.27 | 0.007 | 0.011 |
| c | 0.090 | 0.200 | 0.004 | 0.008 |
| D | 7.0 BSC | | 0.273 BSC | |
| E | 7.0 BSC | | 0.273 BSC | |
| e | 0.5 BSC | | 0.02 BSC | |
| Hd | 9.0 BSC | | 0.35 BSC | |
| He | 9.0 BSC | | 0.35 BSC | |
| L | 0.45 | 0.75 | 0.018 | 0.030 |
| L ₁ | 1.00 TYP | | 0.039 TYP | |

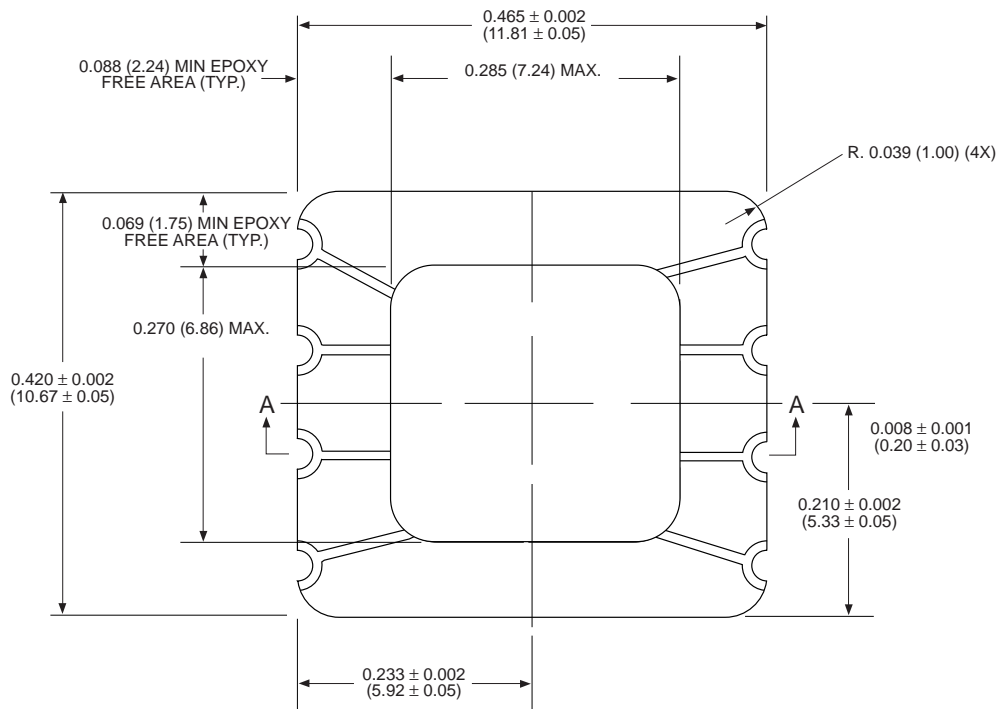
NOTES:

1. GAGE PLANE DIMENSION IS IN MM.
2. LEAD COPLANARITY SHALL BE 0.10MM [0.004] MAXIMUM.
3. MOLD FLASH NOT INCLUDED IN DIMENSIONS

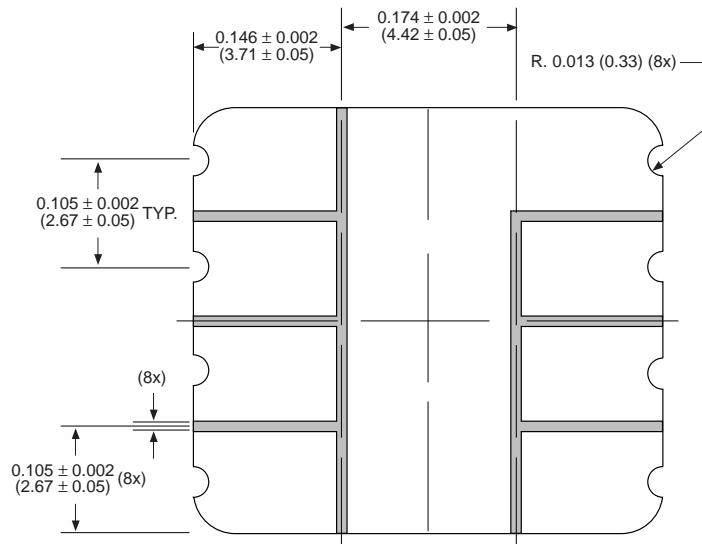
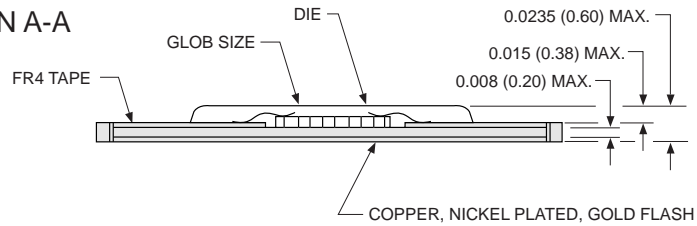
7052 FM 23

X76F128

8 PAD CHIP ON BOARD SMART CARD MODULE TYPE X



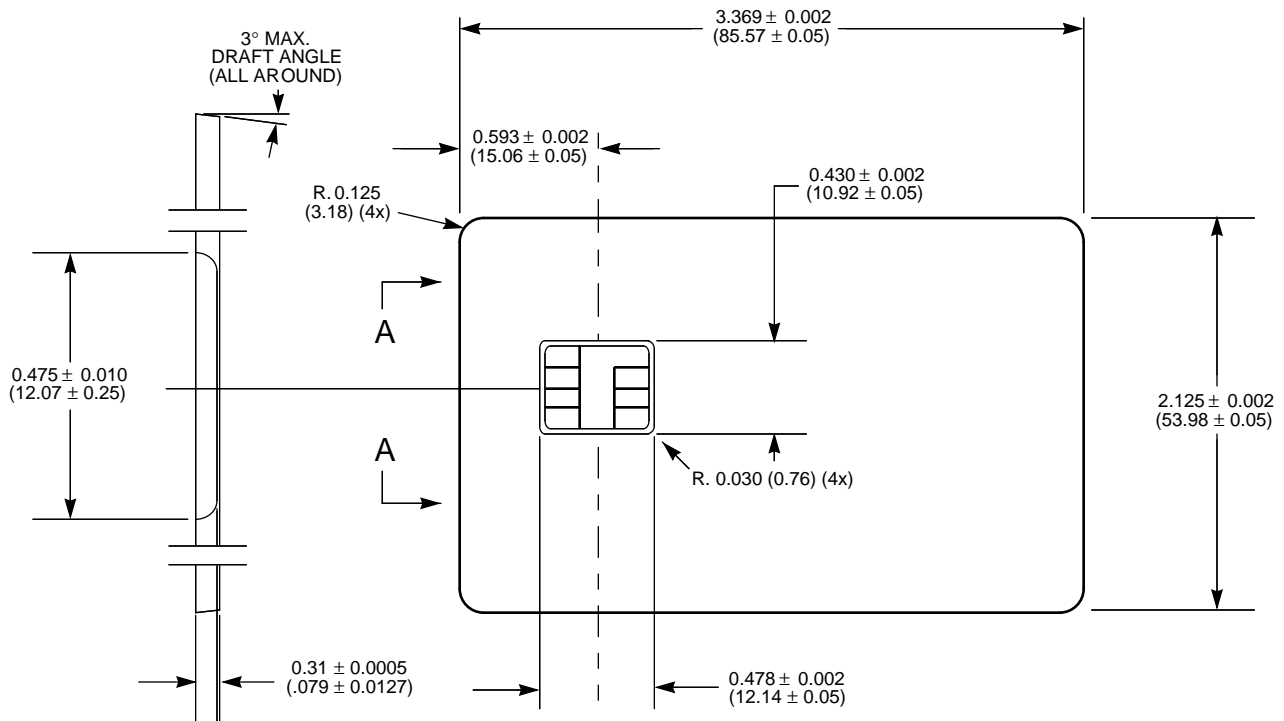
SECTION A-A



NOTE:
1. ALL DIMENSIONS IN INCHES AND (MILLIMETERS)

3003 ILL 03.1

SMART CARD TYPE Y



MOLD GATE DETAIL
SECTION A-A

SCALE: 5x

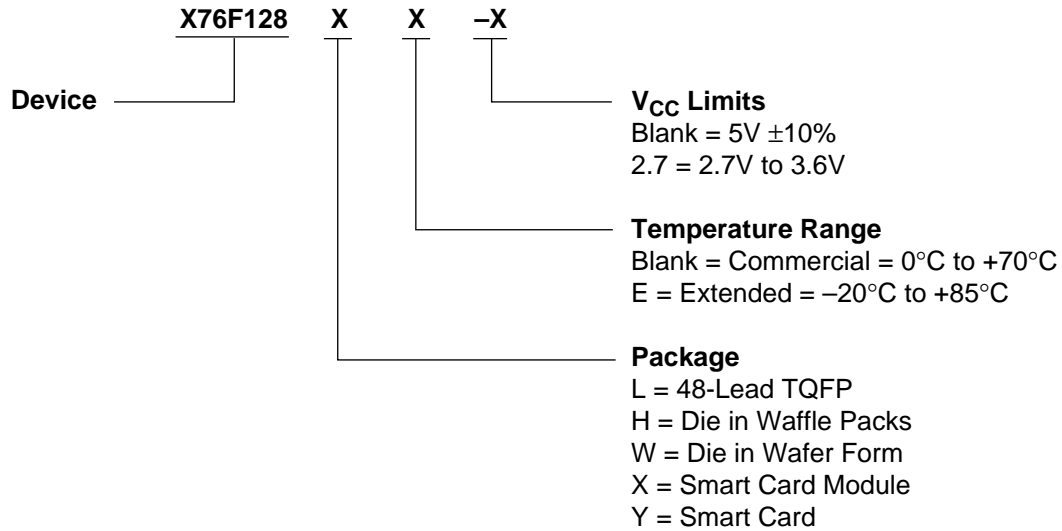
NOTES:

1. ALL DIMENSIONS ARE IN INCHES AND (MILLIMETERS).
2. SPECIFIED DIMS ARE MEASURED AT BOTTOM OF CAVITY.
3. MATERIAL: WHITE PVC MOLDED PLASTIC WITH ANTI-STATIC ADDITIVE.
4. SURFACE FINISH SUITABLE FOR OFFSET PRINTING.

3003 ILL 02.1

X76F128

ORDERING INFORMATION



LIMITED WARRANTY

Devices sold by Xicor, Inc. are covered by the warranty and patent indemnification provisions appearing in its Terms of Sale only. Xicor, Inc. makes no warranty, express, statutory, implied, or by description regarding the information set forth herein or regarding the freedom of the described devices from patent infringement. Xicor, Inc. makes no warranty of merchantability or fitness for any purpose. Xicor, Inc. reserves the right to discontinue production and change specifications and prices at any time and without notice.

Xicor, Inc. assumes no responsibility for the use of any circuitry other than circuitry embodied in a Xicor, Inc. product. No other circuits, patents, licenses are implied.

U.S. PATENTS

Xicor products are covered by one or more of the following U.S. Patents: 4,263,664; 4,274,012; 4,300,212; 4,314,265; 4,326,134; 4,393,481; 4,404,475; 4,450,402; 4,486,769; 4,488,060; 4,520,461; 4,533,846; 4,599,706; 4,617,652; 4,668,932; 4,752,912; 4,829,482; 4,874,967; 4,883,976. Foreign patents and additional patents pending.

LIFE RELATED POLICY

In situations where semiconductor component failure may endanger life, system designers using this product should design the system with appropriate error detection and correction, redundancy and back-up features to prevent such an occurrence.

Xicor's products are not authorized for use in critical components in life support devices or systems.

1. Life support devices or systems are devices or systems which, (a) are intended for surgical implant into the body, or (b) support or sustain life, and whose failure to perform, when properly used in accordance with instructions for use provided in the labeling, can be reasonably expected to result in a significant injury to the user.
2. A critical component is any component of a life support device or system whose failure to perform can be reasonably expected to cause the failure of the life support device or system, or to affect its safety or effectiveness.