

# W921E840A/W921C840



## 4-BIT MICROCONTROLLER

### *Table of Contents-*

1. GENERAL DESCRIPTION .....	3
2. FEATURES.....	3
3. PIN CONFIGURATIONS.....	6
40-pin DIP .....	6
48-pin QFP.....	7
4. PIN DESCRIPTION.....	9
5. BLOCK DIAGRAM .....	10
6. FUNCTIONAL DESCRIPTION .....	11
6.1 ROM Memory Map .....	11
6.2 RAM Memory Map.....	12
6.2.1 Special Control Register Area .....	12
6.2.2 Stack Register Area .....	14
6.2.3 Working Register Area .....	15
6.3 Internal Oscillator Circuit .....	15
6.4 Initial State .....	16
6.5 Input/Output .....	17
6.5.1 Normal/Special Function Selection of I/O .....	17
6.5.2 Pull High and Open Drain Control of I/O .....	19
6.6 Serial Port .....	21
6.7 DTMF Generator.....	24
6.8 Beep Tone Generator .....	25
6.9 D/A Converter .....	26
6.10 Comparator.....	27
6.11 Timer/Counter .....	28
6.11.1 TM0.....	28
6.11.2 TM1.....	30
6.11.3 TM2.....	32
6.11.4 TM3.....	34
6.11.5 Arbitrary Waveform Generator .....	35

# W921E840A/W921C840



6.12	Interrupt.....	35
6.12.1	Interrupt Control Register.....	35
6.12.2	Interrupt Enable Flag.....	36
6.13	Operating Mode.....	37
6.13.1	Normal Mode.....	37
6.13.2	Hold Mode.....	37
6.13.3	Stop Mode.....	39
6.14	Initial Condition Register of EPROM Program Method.....	41
6.15	Reset.....	41
6.15.1	Reset by $\overline{\text{RESET}}$ .....	41
6.15.2	Reset by Watch Dog Timer.....	41
7.	ABSOLUTION MAXIMUM RATINGS.....	42
8.	ELECTRICAL CHARACTERISTICS.....	42
8.1	DC Characteristics.....	42
8.2	AC Characteristics.....	45
9.	ADDRESSING MODE.....	47
9.1	ROM Addressing Mode.....	47
9.1.1	Indirect Call Addressing Mode: (1 word/2 cycles).....	47
9.1.2	Long Call/Jump Addressing Mode: (2 words/2 cycles).....	47
9.2	RAM Addressing Mode.....	47
9.2.1	Direct Addressing Mode: (2 words/2 cycles).....	48
9.2.2	Indirect Addressing Mode: (1 word/1 cycle).....	48
9.2.3	Working Register Addressing Mode: (1 word/1 cycle).....	48
9.3	Look-up Table Addressing Mode (1 word/2 cycles).....	48
10.	INSTRUCTION CODE MAP.....	50
11.	INSTRUCTION SET SUMMARY.....	53
12.	PACKAGE DIMENSIONS.....	57
	40-pin DIP.....	57
	48-pin QFP.....	57



## 1. GENERAL DESCRIPTION

The W921E840A/W921C840 is single-chip CMOS 4-bit microcontroller that is subset of W921E880A/W921C880. They features four multi-function timers, one channel DTMF generator, an 8-bit D/A converter circuit, ten interrupt sources, 48-level subroutine nesting, and built in four by one channel comparator circuit. Two power down modes, hold and stop mode, reduce power dissipation. The excellent memory structure, 8K super EPROM in W921E840A and 8K mask ROM in W921C840 for program code and 512 x 4 bit RAM minimize the need for external memory devices.

The W921E840A/W921C840 are powerful microcontroller for wide range consuming applications, requiring few external components, which is especially suited for telecommunication design.

## 2. FEATURES

### Operating Voltage

- 2.8 to 5.5V operating voltage for W921E840A EPROM Type
- 2.4 to 5.5V operating voltage for W921C840 Mask ROM Type

### Operating Frequency

- Crystal or RC for main system clock
  - Crystal for 400 K, 800 K, 2 M, 3.58 M, 4 MHz
  - RC up to 4 MHz

### Memory

- 8K x 10-bit ROM (super EPROM)
- 512 x 4-bit RAM
  - 64 x 4-bit special registers
  - 16 x 4-bit working registers
  - 128 x 4-bit general registers
  - 304 x 4-bit multi-purpose registers

### Stack

- 8-bit stack pointer

### I/O Pins

- 20 bidirectional and individually controllable I/O lines
  - P2 Port: P2.0 to P2.3 large sink current pins and open drain option
  - P3 Port: P3.0 to P3.3 multi-function I/O
  - P4 Port: P4.0 to P4.3 open drain and pull high resistor option, multi-function I/O
  - P5 Port: P5.0 to P5.3 multi-function I/O
  - P6 Port: P6.0 to P6.3 open drain and pull high resistor option, multi-function I/O
- 14 bidirectional I/O lines
  - PA Port: PA.0 to PA.3 open drain and pull high resistor option



- PB Port: PB.0 to PB.3 open drain and pull high resistor option
- PC Port: PC.1 to PC.3 open drain and pull high resistor option
- PD Port: PD.0 to PD.1 open drain and pull high resistor option

## **Serial I/O Interface**

- Clock synchronous multi-nibbles serial transmitter/receiver interface

## **DTMF Generator**

- One channel DTMF generator

## **Beep Tone Generator**

- One channel beep tone generator

## **8-bit D/A Converter**

- One channel 8-bit D/A converter

## **Voltage Comparator**

- Multiplexed four channel voltage comparator

## **Timer/Counter**

- Timer 0: 2 to 19 order divider
  - Auto-reload timer
  - Watch-dog timer
- Timer 1: 2 to 19 order divider
  - Auto-reload timer
  - Arbitrary waveform generator
  - External event counter
- Timer 2: 2 to 19 order divider
  - Auto-reload timer
  - Arbitrary waveform generator
  - Period/pulse width measurement function
- Timer 3: 2 to 19 order divider
  - Auto-reload timer

## **Interrupt**

- Four external sources: INT0 (P4.3), P4 Port (P4.0 to P4.2)
- Six internal sources: Timer 0, Timer 1, Timer 2, Timer 3, Comparator, Serial Port

## **Operating Mode (System Clock)**

- Normal mode: system clock operating
- HOLD mode: no operation except for oscillator (system clock stops only)
- STOP mode: no operation including oscillator

# W921E840A/W921C840



## Addressing Mode

- ROM: Indirect call addressing mode  
Long jump/call addressing mode
- RAM: Direct addressing mode  
Indirect addressing mode  
Working register addressing mode
- Look-up table addressing mode

## Instruction Sets

- 117 instruction sets

## Package Type

- 40-pin DIP, 48-pin QFP

The W921E840A/W921C840 microcontroller series are shown in the following table:

PART NO.	PACKAGE TYPE	FUNCTION
W921E840A/ W921C840	40-pin DIP	With pin PD.0, PD.1, BTG without dual clock $\overline{XT}$ , XT, PC.0
W921E841A/ W921C841	40-pin DIP	With dual clock $\overline{XT}$ , XT, PC.0 without pin PD.0, PD.1, BTG
W921E842A/ W921C842	40-pin DIP	With pin PD.0, PD.1, PC.0 without dual clock $\overline{XT}$ , XT, BTG
W921E843A/ W921C843	40-pin DIP	With dual clock $\overline{XT}$ , XT, BTG without pin PD.0, PD.1, PC.0
W921E844A/ W921C844	48-pin QFP	With pin PD.0, PD.1, PC.0, BTG, dual clock $\overline{XT}$ , XT

# W921E840A/W921C840



## 3. PIN CONFIGURATIONS

### 40-pin DIP



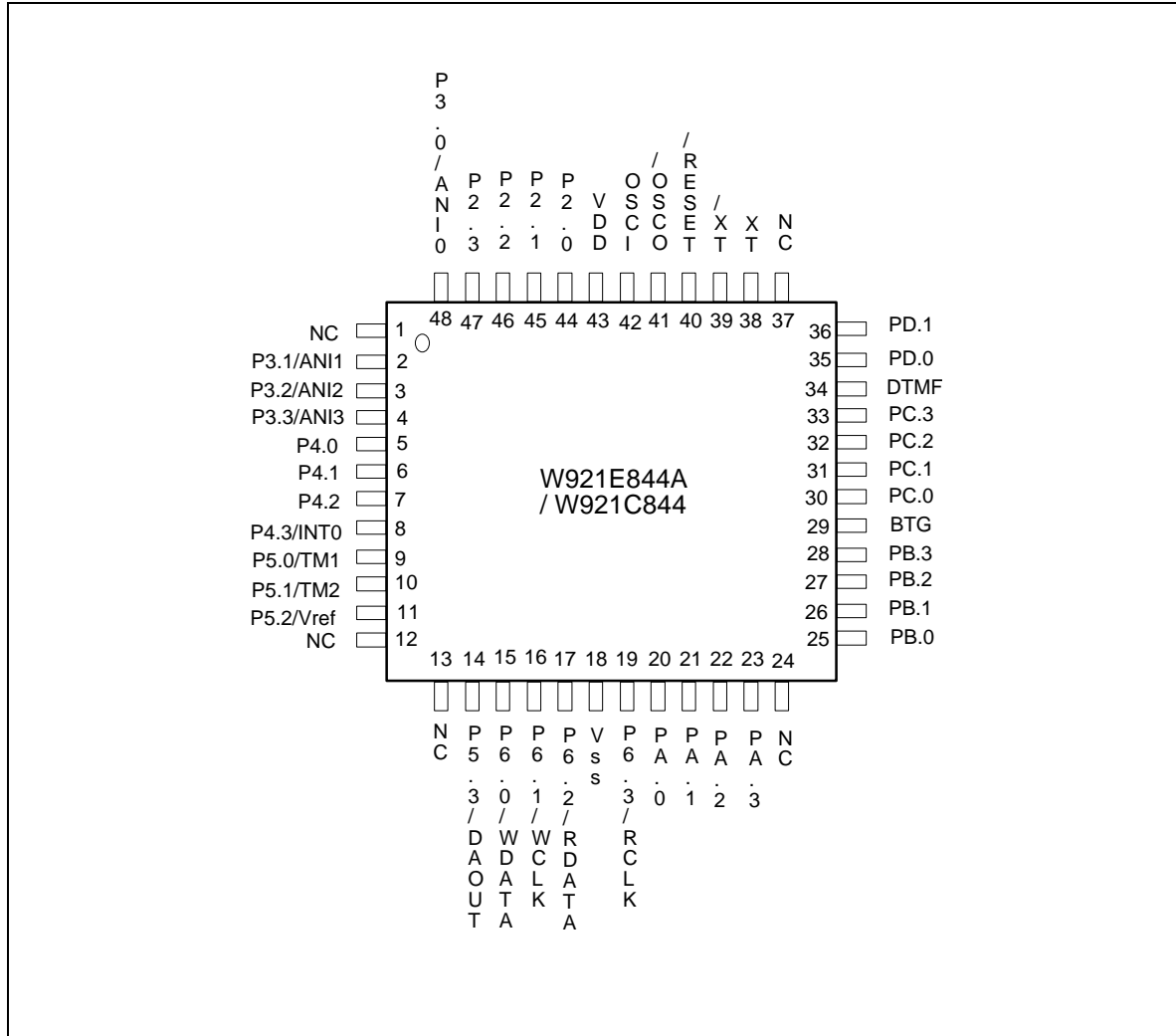
PIN NAME	DIP40	PIN NAME	DIP40
P2.0	1	P6.3/RCLK	21
P2.1	2	PA.0	22
P2.2	3	PA.1	23
P2.3	4	PA.2	24
P3.0/ANI0	5	PA.3	25
P3.1/ANI1	6	PB.0	26
P3.2/ANI2	7	PB.1	27
P3.3/ANI3	8	PB.2	28
P4.0	9	PB.3	29
P4.1	10	PC.0 or BTG	30
P4.2	11	PC.1	31
P4.3/INT0	12	PC.2	32
P5.0/TM1	13	PC.3	33
P5.1/TM2	14	DTMF	34
P5.2/VREF	15	PD.0 or XT	35
P5.3/DAOUT	16	PD.1 or $\overline{XT}$	36
P6.0/WDATA	17	$\overline{RESET}$	37
P6.1/WCLK	18	$\overline{OSCO}$	38
P6.2/RDATA	19	OSCI	39
Vss	20	VDD	40

# W921E840A/W921C840



3. Pin Configurations, continued

## 48-pin QFP



PIN NAME	QFP 48	PIN NAME	QFP 48
NC	1	PB.0	25
P3.1/ANI1	2	PB.1	26
P3.2/ANI2	3	PB.2	27
P3.3/ANI3	4	PB.3	28

Publication Release Date: July 1999

Revision A3

# W921E840A/W921C840



Continued

PIN NAME	QFP 48	PIN NAME	QFP 48
P4.0	5	BTG	29
P4.1	6	PC.0	30
P4.2	7	PC.1	31
P4.3/INT0	8	PC.2	32
P5.0/TM1	9	PC.3	33
P5.1/TM2	10	DTMF	34
P5.2/VREF	11	PD.0	35
NC	12	PD.1	36
NC	13	NC	37
P5.3/DAOUT	14	XT	38
P6.0/WDATA	15	$\overline{XT}$	39
P6.1/WCLK	16	$\overline{RESET}$	40
P6.2/RDATA	17	$\overline{OSCO}$	41
Vss	18	OSCI	42
P6.3/RCLK	19	VDD	43
PA.0	20	P2.0	44
PA.1	21	P2.1	45
PA.2	22	P2.2	46
PA.3	23	P2.3	47
NC	24	P3.0/ANI0	48



# W921E840A/W921C840



## 4. PIN DESCRIPTION

SYMBOL	I/O	FUNCTION
OSCI	I	Main oscillator input pin with internal capacitor
$\overline{\text{OSCO}}$	O	Main oscillator output pin
P2.0 to P2.3	I/O*	I/O port 2 with large sink current
P3.0/ANI0 to P3.3/ANI3	I/O	I/O port 3 or analog input (ANI0 to ANI3) pins
P4.0	I/O*	I/O pin P4.0 or the input pin of interrupt port
P4.1	I/O*	I/O pin P4.1 or the input pin of interrupt port
P4.2	I/O*	I/O pin P4.2 or the input pin of interrupt port
P4.3/INT0	I/O*	I/O pin P4.3 or INT0 input pin
P5.0/TM1	I/O	I/O pin P5.0 or the controlled pin of timer 1
P5.1/TM2	I/O	I/O pin P5.1 or the controlled pin of timer 2
P5.2/VREF	I/O	I/O pin P5.2 or the VREF input pin of the comparator
P5.3/DAOUT	I/O	I/O pin P5.3 or the output pin of 8-bit D/A converter
P6.0/WDATA	I/O*	I/O pin P6.0 or the data output pin of serial interface
P6.1/WCLK	I/O*	I/O pin P6.1 or the clock I/O pin of WDATA
P6.2/RDATA	I/O*	I/O pin P6.2 or the data input pin of serial interface
P6.3/RCLK	I/O*	I/O pin P6.3 or the clock I/O pin of RDATA
PA.0 to PA.3	I/O*	I/O port A with wake up stop mode function
PB.0 to PB.3	I/O*	I/O port B with wake up stop mode function
PC.0 to PC.3	I/O*	I/O port C. PC.3 can be as 32.768 KHz output buffer
PD.0 or $\overline{\text{XT}}$	I/O*	I/O pin PD.0 or 32.768 KHz subsystem clock output pin (with internal capacitor)
PD.1 or XT	I/O*	I/O pin PD.1 or 32.768 KHz subsystem clock input pin
DTMF	O	Dual tone multi-frequency output pin
BTG	O	Beep tone generator output pin
$\overline{\text{RESET}}$	I	Reset input pin with low active
VDD	I	Positive power supply input pin
VSS	I	Negative power supply input pin

Notes:

\* open drain option by software

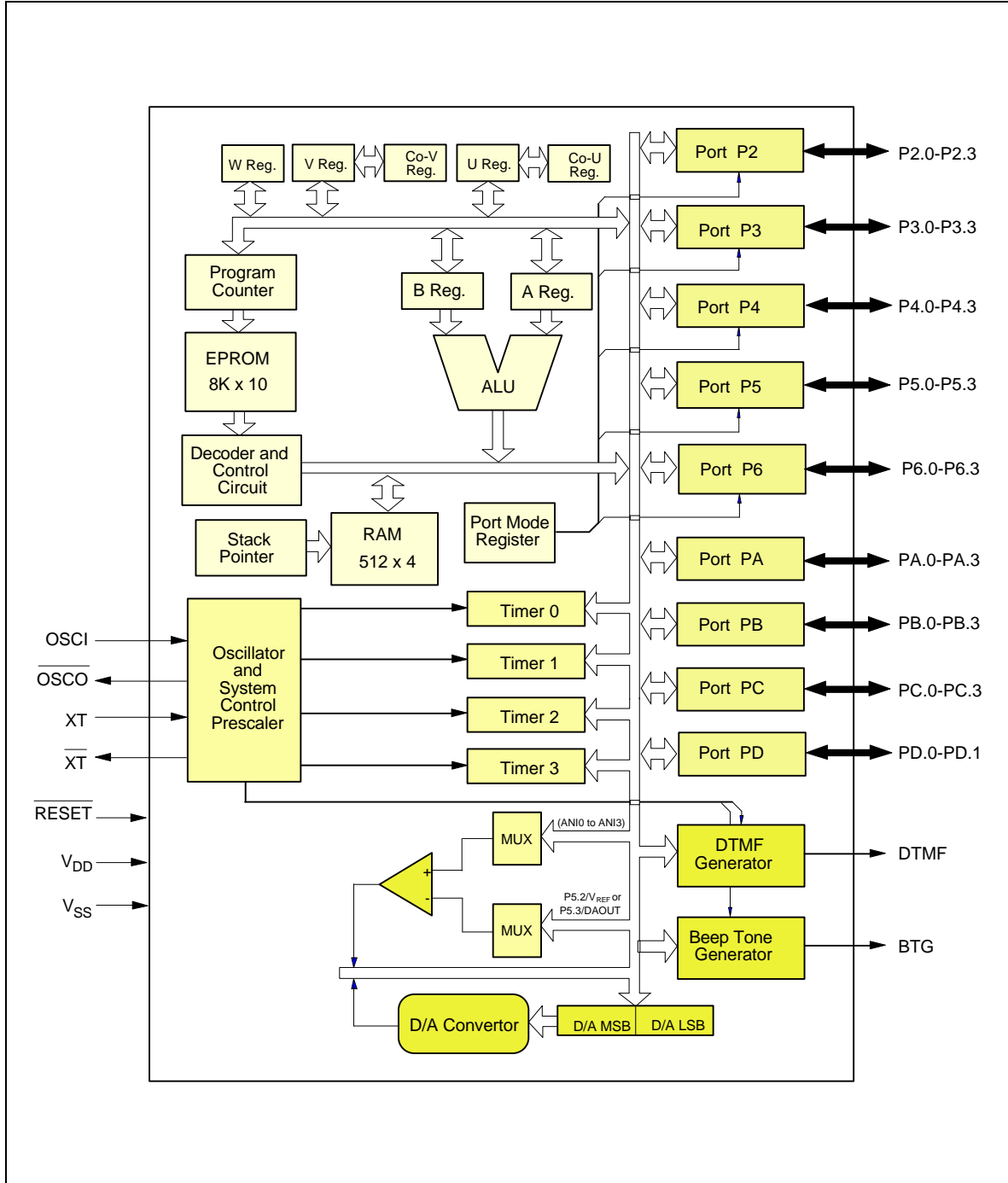
☆ open drain and pull high resistor option by software

Publication Release Date: July 1999

# W921E840A/W921C840



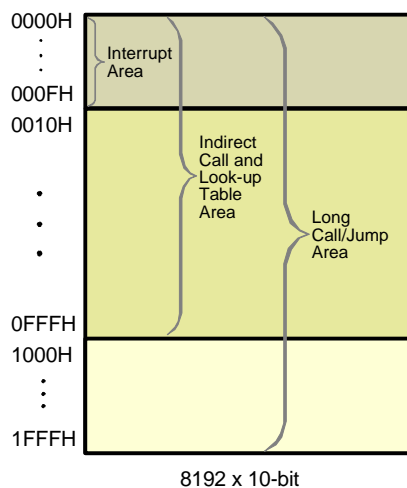
## 5. BLOCK DIAGRAM





## 6. FUNCTIONAL DESCRIPTION

### 6.1 ROM Memory Map

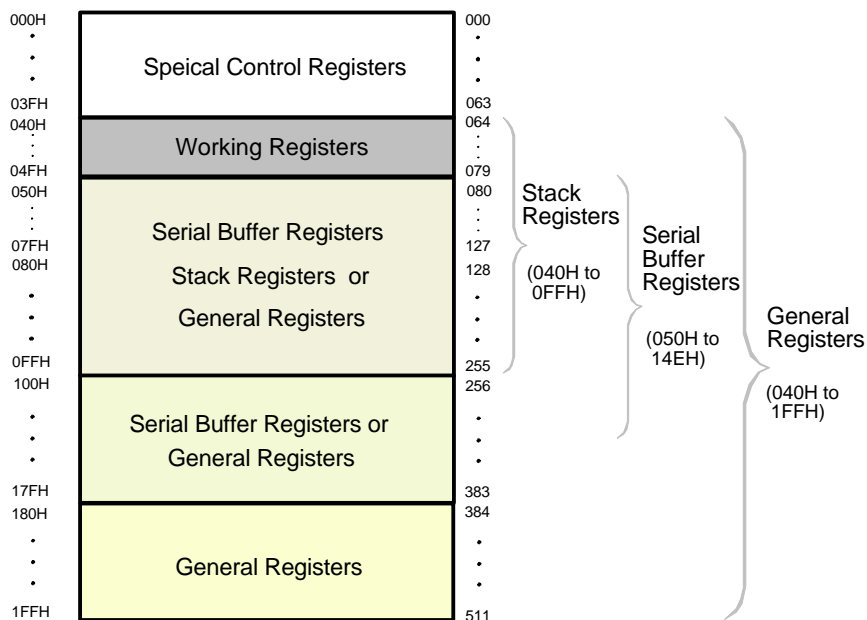


0000H	JMPL Instruction (Reset)
0001H	XXXXX XXXXX
0002H	JMPL Instruction (INT0)
0003H	XXXXX XXXXX
0004H	JMPL Instruction (TM0)
0005H	XXXXX XXXXX
0006H	JMPL Instruction (TM1)
0007H	XXXXX XXXXX
0008H	JMPL Instruction (TM2)
0009H	XXXXX XXXXX
000AH	JMPL Instruction (Comparator / TM3)
000BH	XXXXX XXXXX
000CH	JMPL Instruction (P4.0 to P4.2)
000DH	XXXXX XXXXX
000EH	JMPL Instruction (Serial Port)
000FH	XXXXX XXXXX

Priority: Reset > INT0 > TM0 > TM1 > TM2 > (Comparator / TM3) > P4.0 to 4.2 > Serial Port



## 6.2 RAM Memory Map



(512 x 4-bit)

### 6.2.1 Special Control Register Area

There are 64 × 4-bit registers in the special control register area. All control registers such as DTMF control register, serial speed control register, ..., etc. are in this area. Please refer to the following table for detailed register map.

ADDR.	DESCRIPTION	ABBREVIATION	INITIAL VALUE
000H	Reserved or System Clock Control Register	(SYSCCR)	00H
001H	Reserved	-	-
002H	Reserved	-	-
003H	Port P4 Pull High Resistor Register	(P4PH)	00H
004H	Port P4 Output Type Register	(P4TP)	00H
005H	Port P6 Pull High Resistor Register	(P6PH)	00H
006H	Port P6 Output Type Register	(P6TP)	00H
007H	Port PABCD Pull High Resistor Register	(PABCDPH)	00H
008H	Port PABCD Output Type Register	(PABCDTP)	00H
009H	Serial LSB Nibble Register	(SRLNR)	02H

# W921E840A/W921C840



## 6.2.1 Special Control Register Map, continued

ADDR.	DESCRIPTION	ABBREVIATION	INITIAL VALUE
00AH	Serial MSB Nibble Register	(SRMNR)	00H
00BH	Serial Speed Control Register	(SRSPC)	00H
00CH	Serial Clock Inverter Control Register	(SRINV)	00H
00DH	Port P2 Output Type Register	(P2TP)	00H
00EH	Reserved		-
00FH	Port P3 I/O Status Control Register	( P3IO )	00H
010H	Port P4 I/O Status Control Register	( P4IO )	00H
011H	Port P5 I/O Status Control Register	( P5IO )	00H
012H	Port P6 I/O Status Control Register	( P6IO )	00H
013H	DTMF Oscillation Control Register	(OSCCTR)	00H
014H	DTMF Register	(DTMF)	00H
015H	Row/Column Frequency Control Register	(RCCTL)	00H
016H	D/A Control Register	(DACTL)	00H
017H	D/A Converter LSB Data Register	(DALSB)	00H
018H	D/A Converter MSB Data Register	(DAMSB)	00H
019H	Comparator Analog Input Multiplexer	(ANIMUX)	00H
01AH	Comparator Control Register	(COMPTR)	04H
01BH	Reserved		-
01CH	TM1 Read Only MSB Data Register	(TM1RM)	0FH
01DH	TM1 Read Only LSB Data Register	(TM1RL)	0FH
01EH	TM2 Read Only MSB Data Register	(TM2RM)	0FH
01FH	TM2 Read Only LSB Data Register	(TM2LM)	0FH
020H	TM0 Control Register	(TM0CR)	00H
021H	TM0 MSB Data Register	(TM0MSB)	0FH
022H	TM0 LSB Data Register	(TM0LSB)	0FH
023H	TM0 Status Register	(STTM0)	00H
024H	Reserved or Timer 0 Low Speed Register	(TM0LSR)	00H
025H	TM1 Control Register	(TM1CR)	00H
026H	TM1 MSB Data Register	(TM1MSB)	0FH
027H	TM1 LSB Data Register	(TM1LSB)	0FH
028H	TM1 Status Register	(STTM1)	00H
029H	TM1 Trigger Condition Register	(TGTM1)	00H
02AH	TM2 Control Register	(TM2CR)	00H
02BH	TM2 MSB Data Register	(TM2MSB)	0FH

# W921E840A/W921C840



## 6.2.1 Special Control Register Map, continued

ADDR.	DESCRIPTION	ABBREVIATION	INITIAL VALUE
02CH	TM2 LSB Data Register	(TM2LSB)	0FH
02DH	TM2 Status Register	(STTM2)	00H
02EH	TM2 Trigger Condition Register	(TGTM2)	00H
02FH	TM3 Control Register	(TM3CR)	00H
030H	TM3 MSB Data Register	(TM3MSB)	0FH
031H	TM3 LSB Data Register	(TM3LSB)	0FH
032H	TM3 Status Register	(STTM3)	00H
033H	Reserved		-
034H	Interrupt Enable Flag	(ENINT)	00H
035H	Stop Mode Released Flag	(STPRF)	08H
036H	Hold Mode Released Flag 1	(HMRF1)	00H
037H	Hold Mode Released Flag 2	(HMRF2)	00H
038H	Hold Mode Released Flag 3	(HMRF3)	00H
039H	Interrupt Control Register 1	(INTCT1)	00H
03AH	Interrupt Control Register 2	(INTCT2)	00H
03BH	Interrupt Control Register 3	(INTCT3)	00H
03CH	Hold Released Status Flag 1	(HRSTS1)	00H
03DH	Hold Released Status Flag 2	(HRSTS2)	00H
03EH	Hold Released Status Flag 3	(HRSTS3)	00H
03FH	Beep Tone Generator Register	(BTGR)	00H

## 6.2.2 Stack Register Area

A 8-bit stack pointer indicates the stack located address from 040H to 0FFH. After power on reset the stack pointer will be set to 0FFH. The stack pointer will be decreased by 4 when the CALL/ CALLP or interrupt is accepted, and will be increased by 4 when the RTN or RTNI instruction is executed. The format of the stack content is shown in the following table.

:	:	:					
:	:	:					
:	:	:					
:	:	:					
:	:	:					
0F8H	Z	C	-	PC12	}		Stack 1
0F9H	PC11	PC10	PC9	PC8			
0FAH	PC7	PC6	PC5	PC4			
0FBH	PC3	PC2	PC1	PC0			
0FCH	Z	C	-	PC12	}		Stack 0
0FDH	PC11	PC10	PC9	PC8			
0FEH	PC7	PC6	PC5	PC4			
0FFH	PC3	PC2	PC1	PC0			



### 6.2.3 Working Register Area

The located area from 040H to 04FH is known as working register. The instruction MOV WRn, A or MOV A, WRn can move the A accumulator data to the working register or move working register data to the A accumulator directly within the 1 word / 1 machine cycle. The other direct instructions such as MOV Mx, A or MOV A, Mx instruction are 2 words / 2 machine cycles. Therefore the working register can save the program memory size in ROM and improve the control speed in  $\mu$ C application circuit.

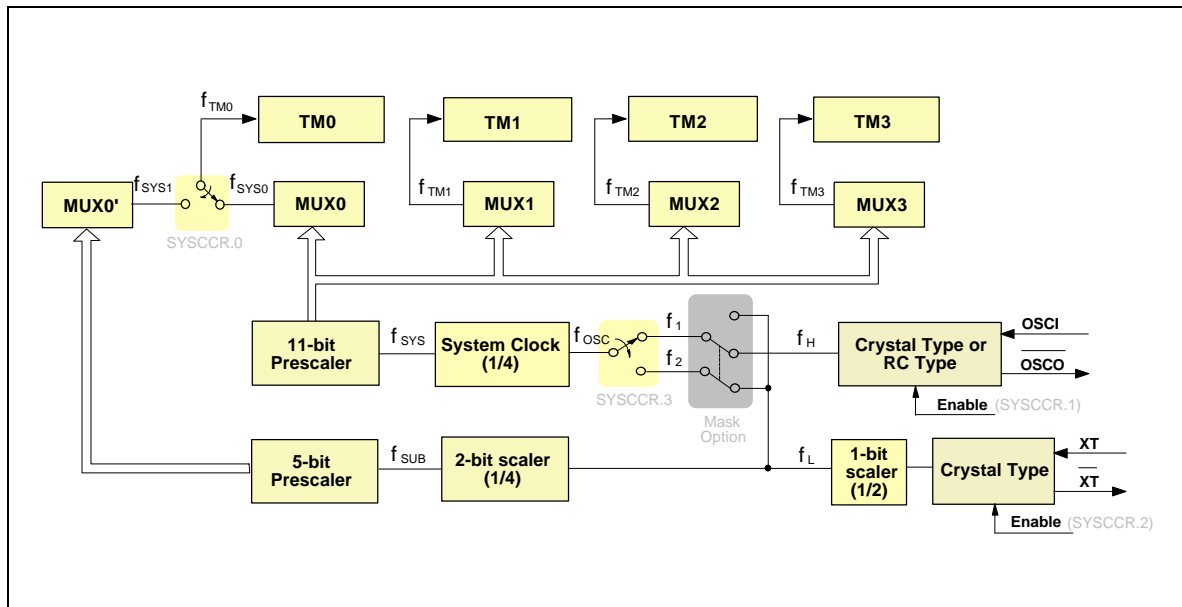
Only the WR0 to WR7 are available in the arithmetic and logic operation (I. e. only 040H to 047H can be active). The instructions are as follows:

- ADD A, WRx
- ADC A, WRx
- SUB A, WRx
- SBC A, WRx
- ANL A, WRx
- ORL A, WRx
- XRL A, WRx
- CMP A, WRx

where x = 0 to 7.

### 6.3 Internal Oscillator Circuit

There are dual clocks in this chip, one high speed, the other low speed. The block diagram is shown below:

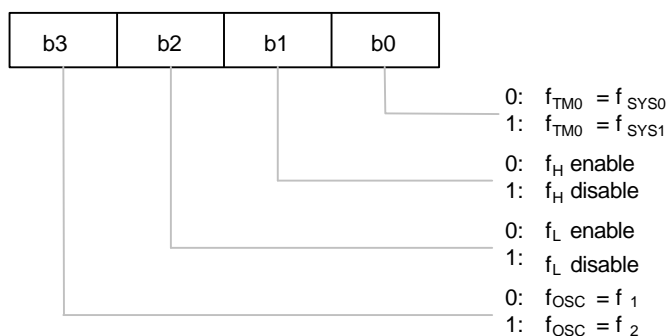


# W921E840A/W921C840

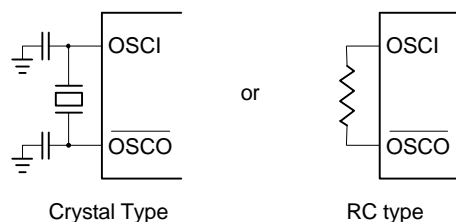


The detail function of the system clock control register (SYSCCR) is shown as below:

SYSCCR register: (address = 000H, default data = 0H, only for W921E841A, 843A, 844A)



The W921E840A/W921C840 provides a crystal or RC oscillation circuit selected by bit0 of INI register (refer to section 6.14) to generate the system clock through external connections. If a crystal oscillator is used, a crystal or ceramic resonator must be connected to OSC1 and  $\overline{OSCO}$ , and the capacitor is added optionally. The oscillator configuration is shown as follows.



## 6.4 Initial State

The W921E840A/W921C840 is reset either by a power-on reset or by using the external  $\overline{RESET}$  pin. The initial state of the W921E840A/W921C840 after the reset function is executed is described below. The EVF interrupt request signal register value is random, so user must do CLR EVF, #11111111b instruction to clear all interrupt request signals after power-on reset.

Program counter (PC)	0000H
Stack pointer	0FFH
Special function registers	Refer to section 6.2.1
TM0, TM1, TM2, TM3 input clock	Fosc/8
TM0, TM1, TM2, TM3 contents	0FFH
Input/Output	Input mode
PM registers	1111B
DTMF output	Disable (H-Z)
EVF interrupt request signal register	Random





## 6.5 Input/Output

There are 34 I/O pins including 4 large sink current pins in this chip. All the I/O pins will remain in the input mode after power on reset.

The I/O instructions are described as follows:

```

MOV   A, Px   Input port x to A accumulator
MOV   B, Px   Input port x to B accumulator
MOV   Px, A   Output A accumulator data to port x.
MOV   Px, B   Output B accumulator data to port x.
    
```

The input or output status of port 2 to port 6 can be pin controlled by port mode register (PMx, where x = 2 to 6). Data 0 of PMx indicates the corresponding pin as output mode, and data 1 indicates the relative pin as input mode. For example, MOV PM2, #0101B, it sets P2.0 and P2.2 in input mode and P2.1 and P2.3 in output mode. The I/O instructions don't affect the I/O status in Port 2 to Port 6.

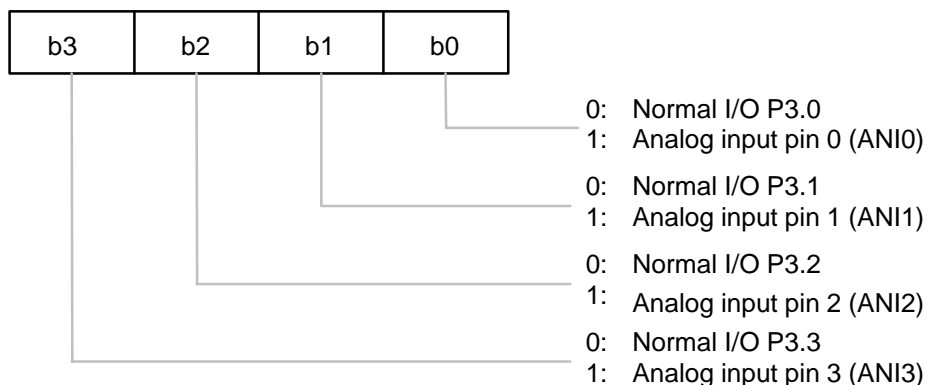
The input or output mode of port A to port D only can be decided by I/O instructions. For example, MOV A, Px will change Px to input mode and MOV Px, A will change it to output mode.

### 6.5.1 Normal/Special Function Selection of I/O

Some of the I/O ports can be programmed to special function via special control register. The detail functions are as follows:

- P2.0 to P2.3: Four 15mA sink current normal I/O pins only
- P3.0 to P3.3: Multi-function I/O pins (selected by P3IO register)
  - Normal function I/O pins
  - Special function input pins

P3IO register: (address = 00FH, default data = 0H)

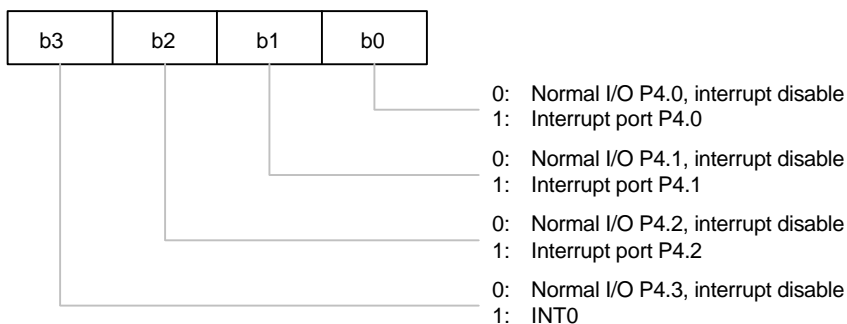


# W921E840A/W921C840



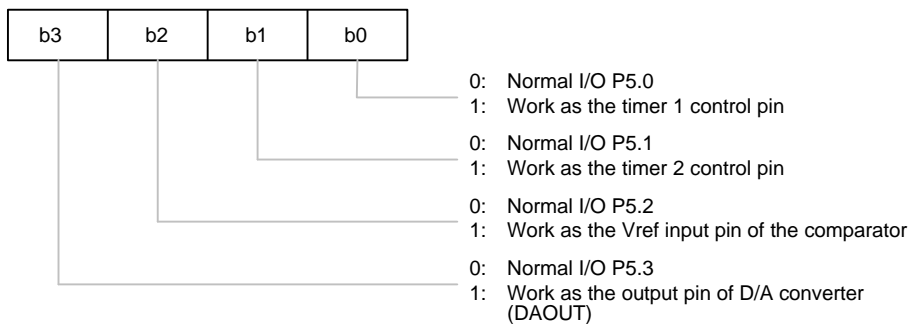
- P4.0 to P4.3: Multi-function I/O pins (selected by P4IO register)
  - Normal function I/O pins
  - Special function input pins

P4IO register: (address = 010H, default data = 0H)



- P5.0 to P5.3: Multi-function I/O pins (selected by P5IO register)
  - Normal function I/O pins
  - Special function I/O pins

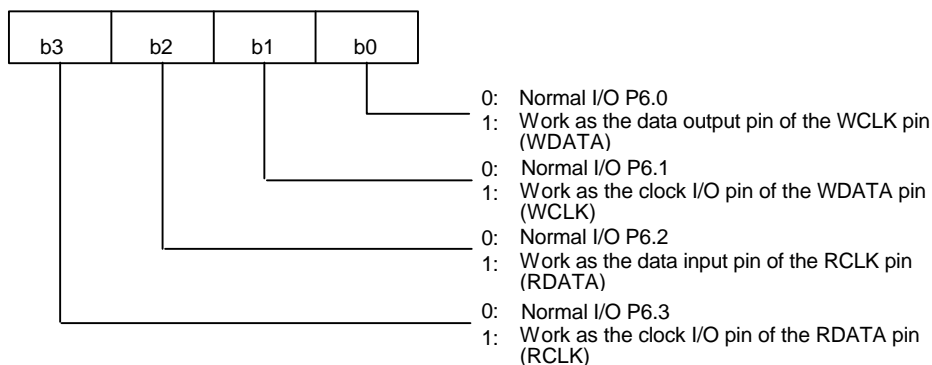
P5IO register: (address = 011H, default data = 0H)





- P6.0 to P6.3: Multi-function I/O pins (selected by P6IO register)
  - Normal function I/O pins
  - Special function I/O pins

P6IO register: (address = 012H, default data = 0H)



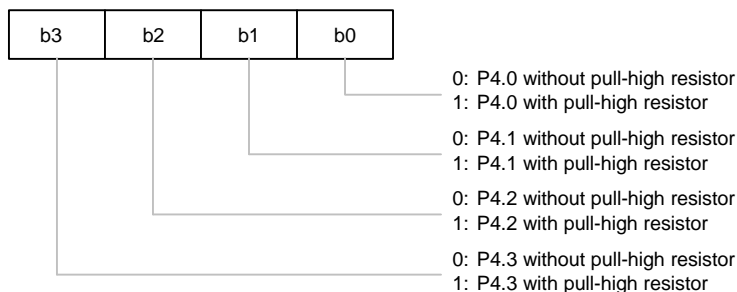
- PA.0 to PA.3: Normal function I/O pins only
- PB.0 to PB.3: Normal function I/O pins only
- PC.1 to PC.3: Normal function I/O pins only
- PD.0 to PD.1: Normal function I/O pins only

## 6.5.2 Pull High and Open Drain Control of I/O

Some of the above I/O ports can be controlled with pull-high resistor or open drain by programming the special register.

All pull-high resistors of the following descriptions are 400KΩ under 3.0 voltage test condition. After power-on reset the following special register will all reset to 0H.

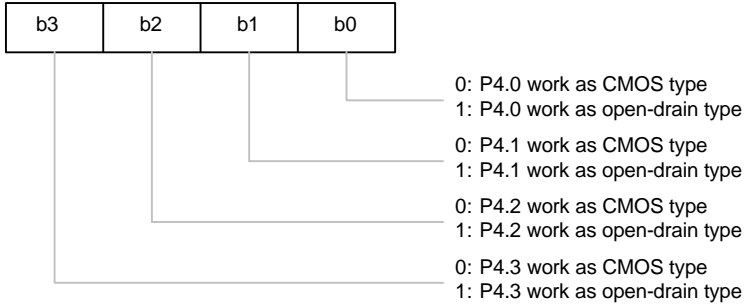
- P4.0 to P4.3:  
P4PH register: (address = 003H, default data = 0H)



# W921E840A/W921C840

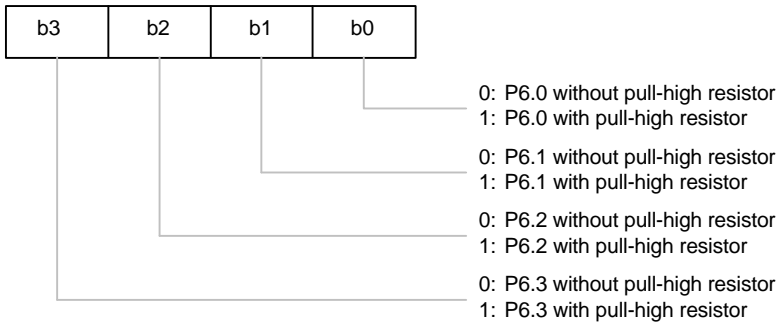


P4TP register: (address = 004H, default data = 0H)

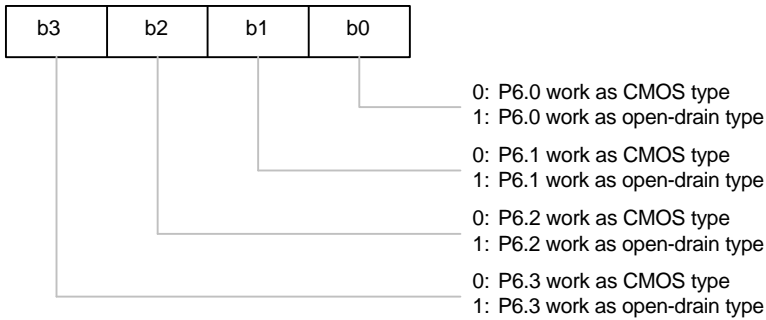


• P6.0 to P6.3 :

P6PH register: (address = 005H, default data = 0H)



P6TP register: (address = 006H, default data = 0H)

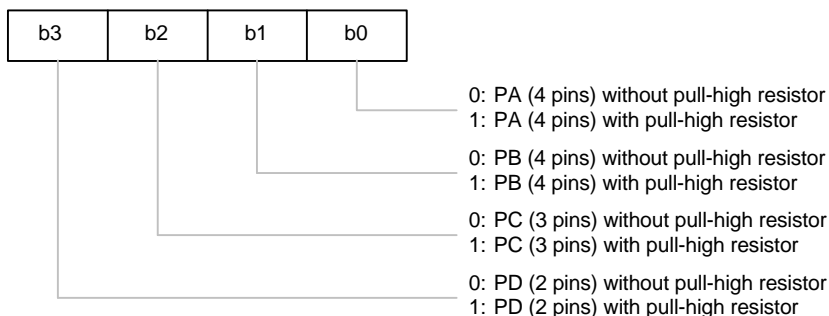


# W921E840A/W921C840

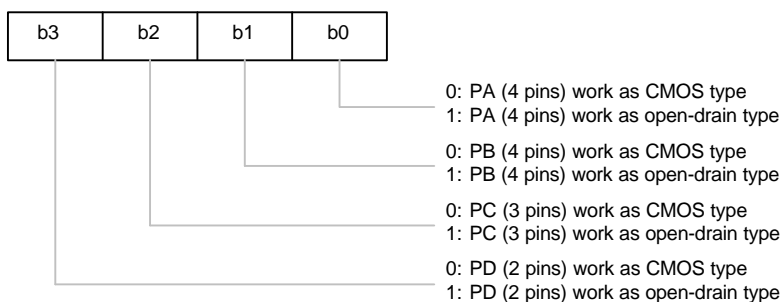


- PA, PB, PC, PD:

PABCDPH register: (address = 007H, default data = 0H)

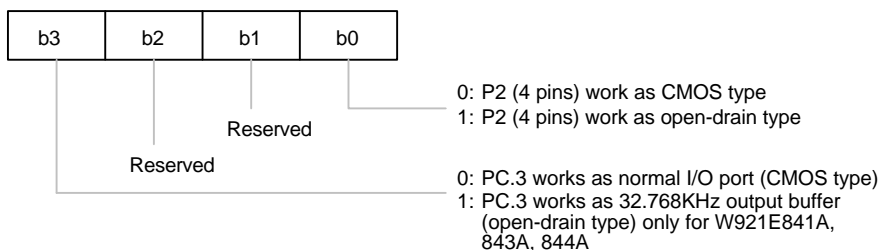


PABCDTP register: (address = 008H, default data = 0H)



- P2:

P2TP register: (address = 00DH, default data = 0H)



## 6.6 Serial Port

The W921E840A/W921C840 has a clock-synchronous serial interface which transmits and receives 8-bit data as default. User can program the P6IO register to select port P6 as the serial port. The serial transmitter/receiver function can be operated with multi-nibble function and the LSB of every nibble is transmitted/received first.

The serial transmitted/received data are come from or are stored into the serial buffer registers (address 050H to 14EH); how many nibbles will be transmitted/received is decided by the serial MSB nibble register (SRMNR, address = 00AH) and serial LSB nibble register (SRLNR, address = 009H).

# W921E840A/W921C840



SRMNR register: (address = 00AH, default data = 0H)

b3	b2	b1	b0
----	----	----	----

SRLNR register: (address = 009H, default data = 2H)

b3	b2	b1	b0
----	----	----	----

The default data in SRMNR and SRLNR are 0 and 2, meaning that the default serial interface is used to transmit/receive 8-bit data serially. As soon as the above two register are programmed and the instructions such as SOP or SIP are executed, the serial transmitter/receiver multi-nibble function will be performed. The transmitted/received number will be auto increased by one when each nibble is transmitted/received until the number is equal to SRLNR, SRMNR registers. Even if the HOLD instruction is executed, the SOP or SIP function will continue executing until the transmitter/receiver function has been completed. However, executing the STOP instruction will stop all serial transmitter/receiver function.

The transceiver data will be latched on the rising or falling edge of the clock; this is determined by the serial clock inverter control register (SRINV, address = 00CH). Before SOP or SIP instruction is executed the SRINV register must be set to the exact value. Once the bit3 and bit2 of SRINV register are both cleared to zero, the serial transceiver function will be reset to initial status immediately.

SRINV register: (address = 00CH, default data = 0H)

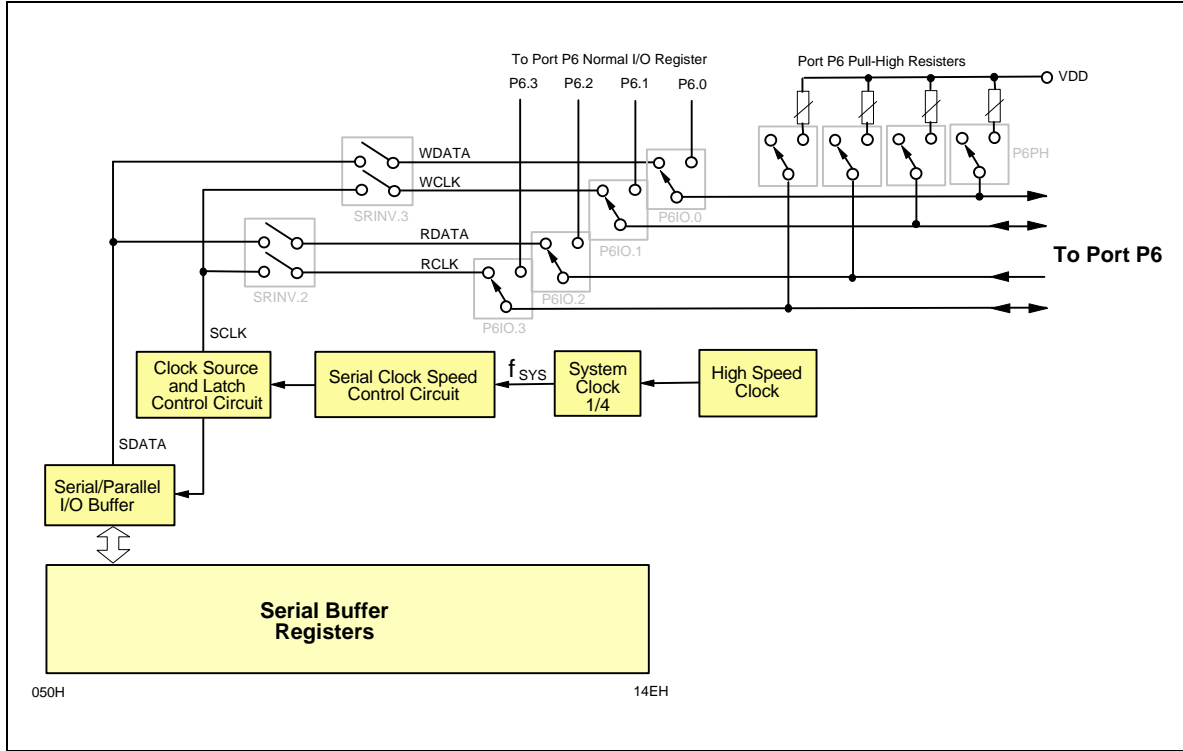
b3	b2	b1	b0
----	----	----	----

- 0: Serial data latch at SCLK1/SCLK2 rising edge (normal high)
- 1: Serial data latch at SCLK1/SCLK2 falling edge (normal low)
- 0: SCLK1 and SCLK2 pins work as the internal clock output pin
- 1: SCLK1 and SCLK2 pins work as the external clock input pin
- 0: SCLK2 and SDATA2 disable (H-Z)
- 1: SCLK2 and SDATA2 enable
- 0: SCLK1 and SDATA1 disable (H-Z)
- 1: SCLK1 and SDATA1 enable

# W921E840A/W921C840



The serial interface configuration is shown below:



The internal serial clock can be controlled by the serial clock speed control register (SRSPC); the format is as follows:

SRSPC register: (address = 00BH, default data = 0H)

b3	b2	b1	b0	Input frequency
0	0	0	0	Reserved
0	0	0	1	$f_{sys}/4$ Hz
0	0	1	0	$f_{sys}/8$ Hz
0	0	1	1	$f_{sys}/16$ Hz
0	1	0	0	$f_{sys}/32$ Hz
0	1	0	1	$f_{sys}/64$ Hz
0	1	1	0	$f_{sys}/128$ Hz
0	1	1	1	$f_{sys}/256$ Hz
1	0	0	0	$f_{sys}/512$ Hz
1	0	0	1	$f_{sys}/1024$ Hz
1	0	1	0	$f_{sys}/2048$ Hz

# W921E840A/W921C840



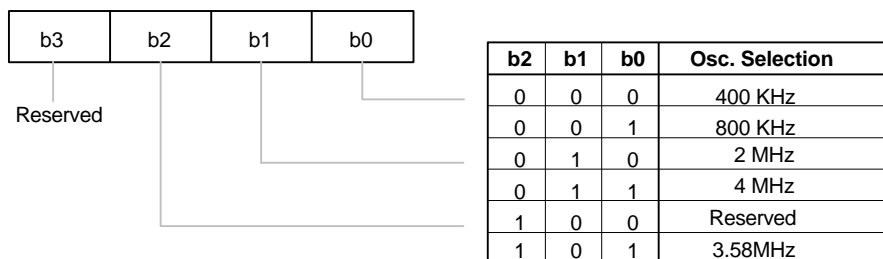
Normally the WCLK or RCLK pin will remain in high state and the serial data will be latched at the rising edge of the WCLK or RCLK signal, but the serial clock inverter control register (SRINV) will invert the above function. In this case WCLK or RCLK pin will remain in low state and the serial data will be latched at the falling edge of the WCLK or RCLK signal.

The transmitting serial clock can come from WCLK or RCLK, depending on which one is enable. If the serial function is disabled, it will cause the relative pins to be high impedance and it will not affect the contents of serial buffer registers (start at address 050H).

## 6.7 DTMF Generator

There is one dual tone multi-frequency (DTMF) generator channel in this chip. The correct DTMF output frequency is decided by the OSCCTR register as shown below:

OSCCTR register: (address = 013H, default data = 0H)



There are four bits in the DTMF register; the functions are described in the following table:

DTMF register: (address = 014H, default data = 0H)

b3	b2	b1	b0	Function Description
X	X	0	0	Column 1 (1209 Hz) output
X	X	0	1	Column 2 (1336 Hz) output
X	X	1	0	Column 3 (1477 Hz) output
X	X	1	1	Column 4 (1633 Hz) output
0	0	X	X	Row 1 (697 Hz) output
0	1	X	X	Row 2 (770 Hz) output
1	0	X	X	Row 3 (852 Hz) output
1	1	X	X	Row 4 (941 Hz) output

Note: X Ädon't care

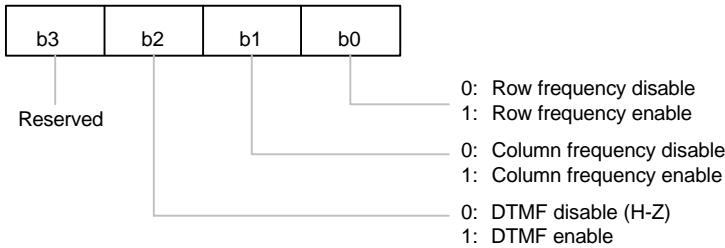


# W921E840A/W921C840



The output frequency of the row and column will be controlled by the row/column frequency control register (RCCTL).

RCCTL register: (address = 015H, default data = 0H)



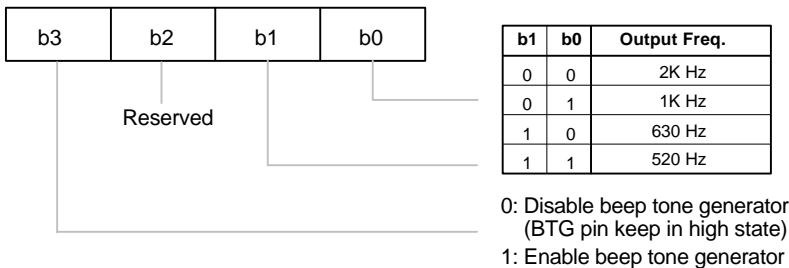
The following table shows the DTMF keypad and its frequency.

C1	C2	C3	C4		Key	Frequency
1	2	3	A	R1	R1	697 Hz
4	5	6	B	R2	R2	770 Hz
7	8	9	C	R3	R3	852 Hz
*	0	#	D	R4	R4	941 Hz
					C1	1209 Hz
					C2	1336 Hz
					C3	1477 Hz
					C4	1633 Hz

## 6.8 Beep Tone Generator

There are four kinds of frequency that can output from the BTG pin that works as beep tone generator. The BTG pin can output the special frequency—2 KHz, 1 KHz, 630 Hz or 520 Hz, and the correct output frequency is decided by the OSCCTR register (address = 013H) and BTGR register (address = 03FH) as shown below:

BTGR register: (address = 03FH, default data = 0H)

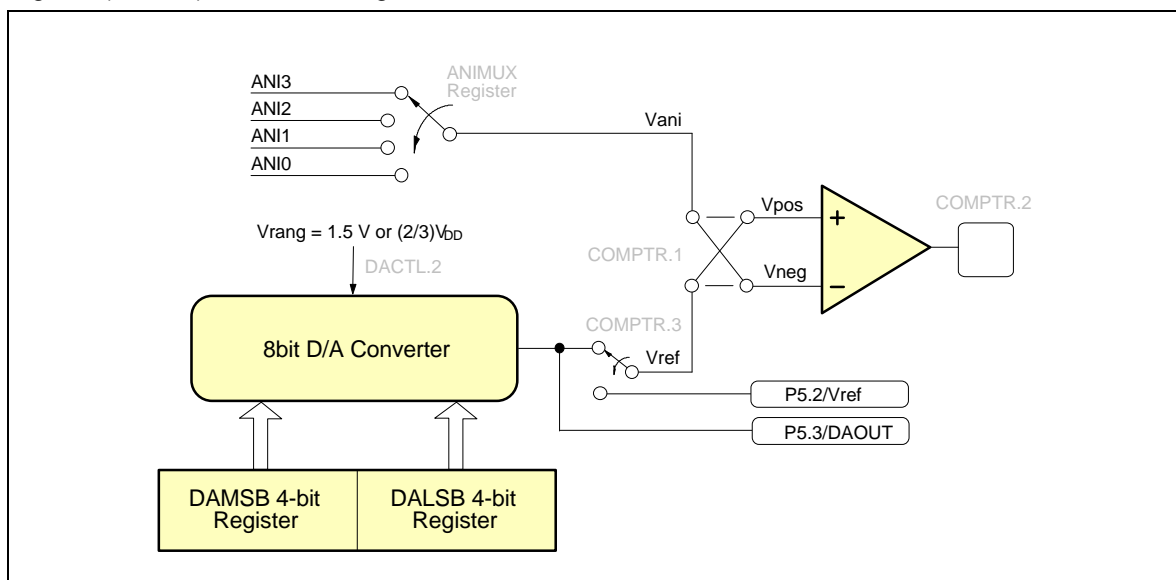


If the beep tone generator is disabled by setting bit 3 of the BTGR register to zero or after power on reset, the BTG output pin will remain in high state.



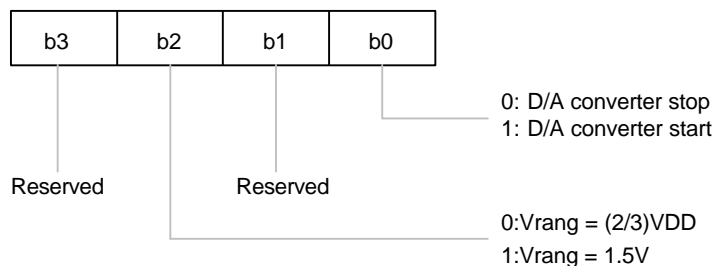
## 6.9 D/A Converter

The content of 8-bit D/A converter is divided into D/A MSB data register (DAMSB) and D/A LSB data register (DALSB). The block diagram is shown below.



- D/A Converter Control Register:

DACTL register: (address = 016H, default data = 0H)

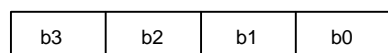


When the DACTL register bit0 is set by software, the 8-bit D/A converter starts converting. The only way to disable the D/A converter is to reset the bit0 of the DACTL register using the software control. The analog signal will be output to the P5.3 pin in this chip if the I/O port works as the D/A output pin.

The power source of the D/A converter can be selected from the (2/3)VDD or 1.5V by programming the DACTL register bit2.

- D/A Converter LSB Data Register

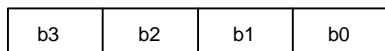
DALSB register: (address = 017H, default data = 0H)





• D/A Converter MSB Data Register

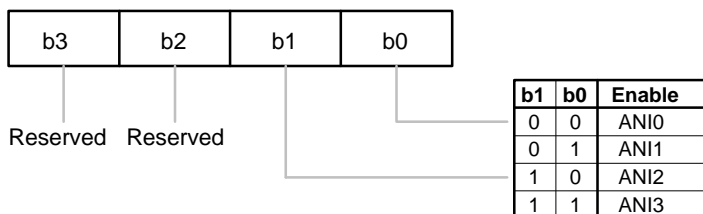
DAMSB register: (address = 018H, default data = 0H)



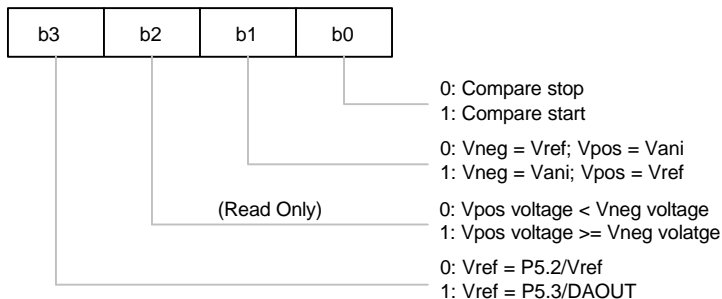
## 6.10 Comparator

There are 4-channel inputs to the comparator negative (can be programmed to positive) terminal, but only one channel will be active at a time. The control register is shown below.

ANIMUX register: (address = 019H, default data = 0H)



COMPTR register: (address = 01AH, default data = 4H)



When the COMPTR register bit0 is set by software, the comparator starts and the bit2 of the COMPTR register will be set to "1" initially. The comparing result will be stored in the bit2 of the COMPTR register and will keep this value until the bit0 of the COMPTR register is set again. The only way to disable the comparator is to reset the bit0 of the COMPTR register using the software control.

The initial value of the COMPTR bit2 is "1", the falling edge of COMPTR bit2 will cause the comparator interrupt to become active if the enable flag of the comparator interrupt is set.

The bit3 of the COMPTR register controls the source of Input voltage reference (Vref). The input reference voltage (Vref) comes from external pin (P5.2/Vref) or D/A converter analog signal output (P5.3/DAOUT).



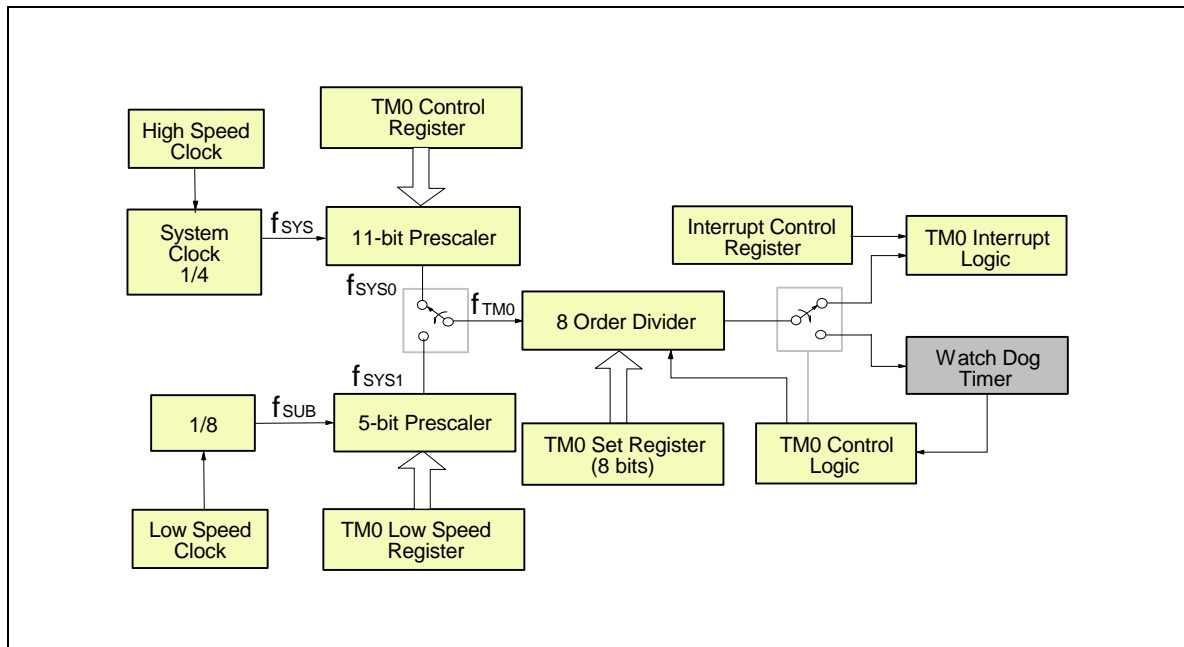
## 6.11 Timer/Counter

There are four timers (TM0, TM1, TM2 and TM3) in this chip, and all can be initialized at any time by writing data into the TM0, TM1, TM2 and TM3 set register.

### 6.11.1 TM0

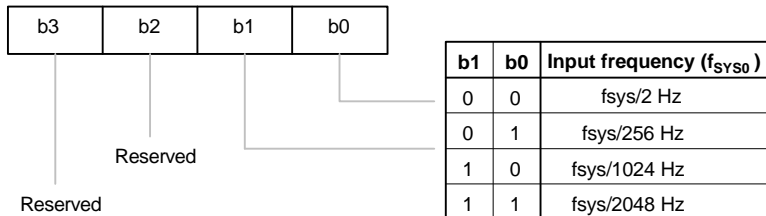
TM0 can perform the following functions:

1. 2 to 19 order divider
2. Auto-reload timer
3. Watch-dog timer



The format of the TM0 control register (TM0CR) is described below:

TM0CR register: (address = 020H, default data = 0H)



The TM0 register is divided into TM0 MSB data register (TM0MSB register, address = 021H, default = 0FH) and TM0 LSB data register (TM0LSB register, address = 022H, default = 0FH).

## W921E840A/W921C840

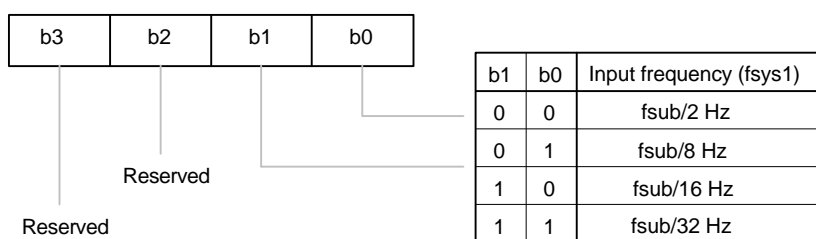


TM0 will underflow when TM0 set register is from 00H to 0FFH and the value in the TM0MSB and TM0LSB will be auto reloaded to the TM0 set register when the STTM0 bit2 is set. TM0 will decrease by 1 at the frequency of timer 0 clock after timer 0 has started.

If at any time the STTM0 bit3 is from 0 to 1 (disable to enable) in the timer mode, the TM0MSB and TM0LSB will be auto reloaded to the TM0 set register again and restart the timer 0. TM0 will stop operating while the STTM0 bit3 is reset to 0.

The format of the TM0 low speed register (TMOLSR) is described below:

TMOLSR register: (address = 024H, default data = 0H, only for W921E841A, 843A, 844A)

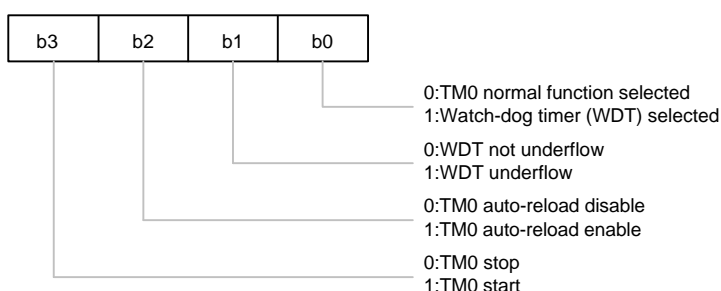


The TM0 starts to down count when the STTM0 register bit3 is set. When TM0 underflows, the STTM0 bit3 will be reset by hardware to stop TM0 if the auto-reload is disabled, but the STTM0 bit3 will not be reset if the auto-reload is enabled.

When the TM0 normal function is performed, the watch-dog timer function will be disabled automatically.

The format of the TM0 status register (STTM0) is described below:

STTM0 register: (address = 023H, default data = 0H)



If TM0 works as the watch-dog timer (WDT), the bit1 of the STTM0 register will be set when the WDT is underflow, in the meanwhile, the system is reset just as with power on reset except the STTM0 bit1. The WDT (STTM0 bit1) will be reset to zero only with the power on reset or the RAM write mode.

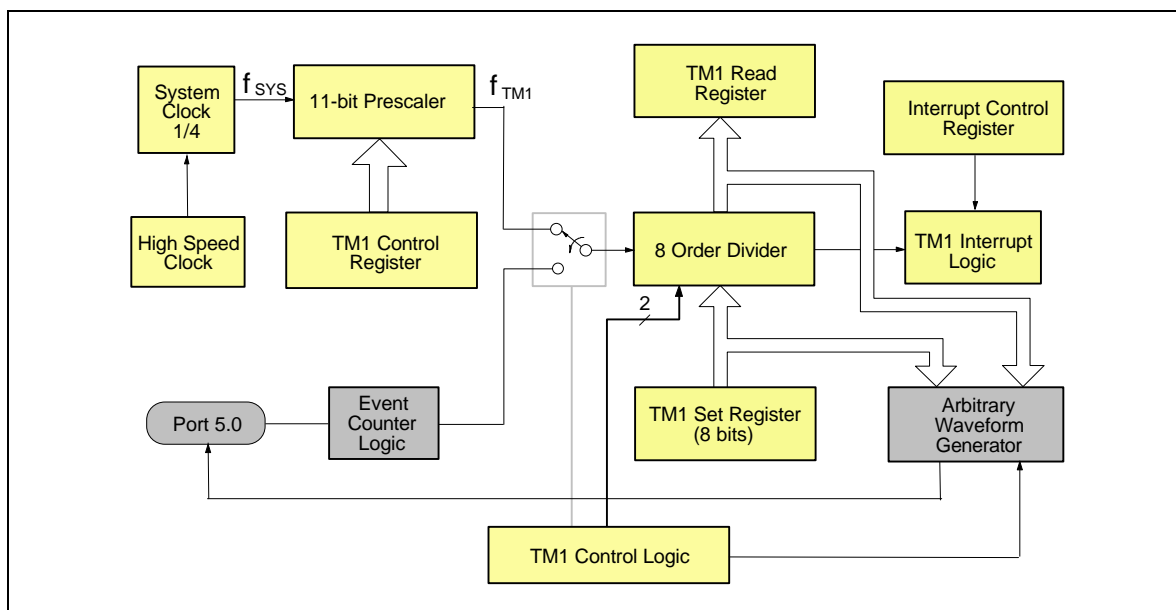
In the timer mode or event counter mode the time out will be the programming data subtract 1 ([TM0MSB, TM0LSB]-1). It is the same in the TM1, TM2 and TM3.



## 6.11.2 TM1

TM1 can perform the following functions:

1. 2 to 19 order divider
2. Auto-reload timer
3. Arbitrary waveform generator
4. Event counter



The format of the TM1 control register (TM1CR) is described below:

TM1CR register: (address = 025H, default data = 0H)

b3	b2	b1	b0	Input frequency ( $f_{TM1}$ )
0	0	0	0	$f_{sys}/2$ Hz
0	0	0	1	$f_{sys}/4$ Hz
0	0	1	0	$f_{sys}/8$ Hz
0	0	1	1	$f_{sys}/16$ Hz
0	1	0	0	$f_{sys}/32$ Hz
0	1	0	1	$f_{sys}/64$ Hz
0	1	1	0	$f_{sys}/128$ Hz
0	1	1	1	$f_{sys}/256$ Hz
1	0	0	0	$f_{sys}/512$ Hz
1	0	0	1	$f_{sys}/1024$ Hz
1	0	1	0	$f_{sys}/2048$ Hz

The TM1 set register is divided into TM1 MSB data register (TM1MSB register, address = 026H, default = 0FH) and TM1 LSB data register (TM1LSB register, address = 027H, default = 0FH).

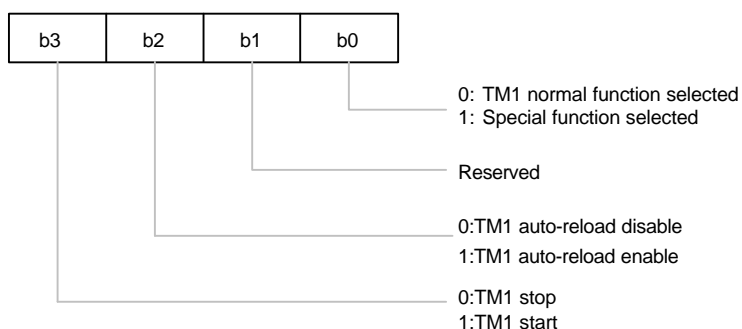
## W921E840A/W921C840



The TM1 read register is divided into TM1 read only MSB data register (TM1RM register, address = 01CH, default = 0FH) and TM1 read only LSB data register (TM1RL register, address = 01DH, default = 0FH).

The format of the TM1 status register (STTM1) is described below:

STTM1 register: (address = 028H, default data = 0H)



If the TM1 is in the timer mode, TM1 will underflow when it is from 00H to 0FFH and the value in the TM1MSB and TM1LSB will be auto reloaded into the TM1 set register when the STTM1 bit2 is set. TM1 will decrease by 1 at the frequency of timer 1 clock after timer 1 has started.

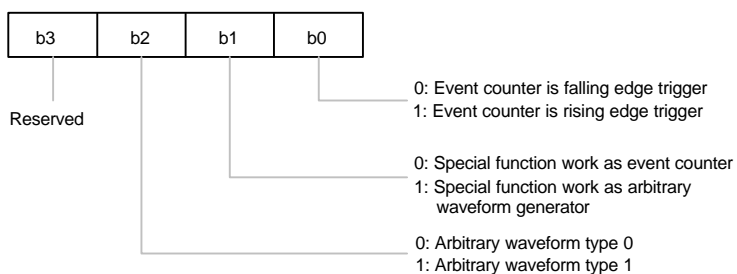
At any time the STTM1 bit3 is from 0 to 1 (disable to enable) the TM1MSB and TM1LSB will be auto reloaded to the TM1 set register again and restart the TM1. TM1 will stop operating while the STTM1 bit3 is reset to 0.

The TM1 starts to down count when the STTM1 register bit3 is set. When TM1 underflows, the STTM1 bit3 will be reset by hardware to stop TM1 if the auto-reload is disabled, but the STTM1 bit3 will not be reset if the auto-reload is enable.

When the TM1 normal timer function is performed, the special function (event counter or arbitrary waveform generator) will be disabled automatically. The special function input or output is from or to P5.0 and the debounce time is one system clock ( $f_{SYS}$ ).

The format of the TM1 trigger/event counter condition register (TGTM1) is described below:

TGTM1 register: (address = 029H, default data = 0H)

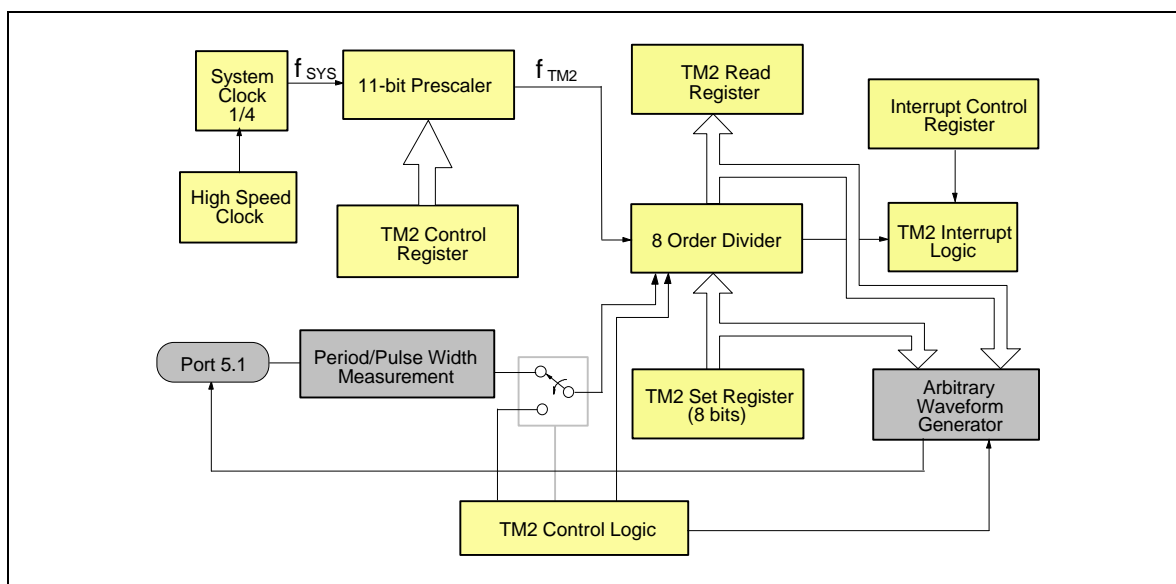




## 6.11.3 TM2

TM2 can perform the following functions:

1. 2 to 19 order divider
2. Auto-reload timer
3. Arbitrary waveform generator
4. Period/pulse width measurement function



TM2CR register: (address = 02AH, default data = 0H)

b3	b2	b1	b0	Input frequency ( $f_{TM2}$ )
0	0	0	0	$f_{sys}/2$ Hz
0	0	0	1	$f_{sys}/4$ Hz
0	0	1	0	$f_{sys}/8$ Hz
0	0	1	1	$f_{sys}/16$ Hz
0	1	0	0	$f_{sys}/32$ Hz
0	1	0	1	$f_{sys}/64$ Hz
0	1	1	0	$f_{sys}/128$ Hz
0	1	1	1	$f_{sys}/256$ Hz
1	0	0	0	$f_{sys}/512$ Hz
1	0	0	1	$f_{sys}/1024$ Hz
1	0	1	0	$f_{sys}/2048$ Hz

The TM2 set register is divided into TM2 MSB data register (TM2MSB register, address = 02BH, default = 0FH) and TM2 LSB data register (TM2LSB register, address = 02CH, default = 0FH).

The TM2 read register is divided into TM2 read only MSB data register (TM2RM register, address = 01EH, default = 0FH) and TM2 read only LSB data register (TM2RL register, address = 01FH, default = 0FH).

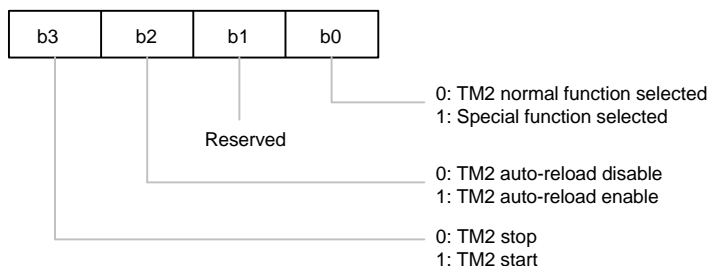


# W921E840A/W921C840



The format of the status of TM2 register (STTM2) is described below:

STTM2 register: (address = 02DH, default data = 0H)



If the TM2 is in the timer mode, TM2 will underflow when it is from 00H to 0FFH and the value in the TM2MSB and TM2LSB will be auto reloaded to the TM2 set register. TM2 will decrease by 1 at the frequency of timer 2 clock after timer 2 has started.

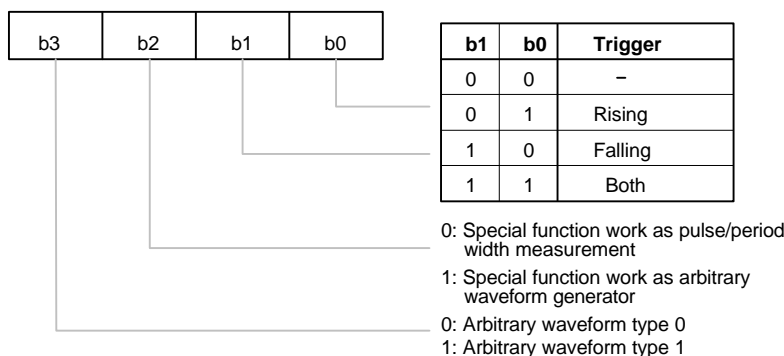
If at any time the STTM2 bit3 is from 0 to 1 (disable to enable) the TM2MSB and TM2LSB will be auto reloaded to the TM2 set register again and restart the TM2. TM2 will stop operating when the STTM2 bit3 is reset to 0

The TM2 starts to count when the STTM2 register bit3 is set. When TM2 underflows, the STTM2 bit3 will be reset by hardware to stop TM2 if the auto-reload is disabled, but the STTM2 bit3 will not be reset if the auto-reload is enabled.

When the TM2 normal function is performed, the special function will be disabled automatically.

The format of the TM2 trigger condition register (TGTM2) is shown below:

TGTM2 register: (address = 02EH, default data = 0H)



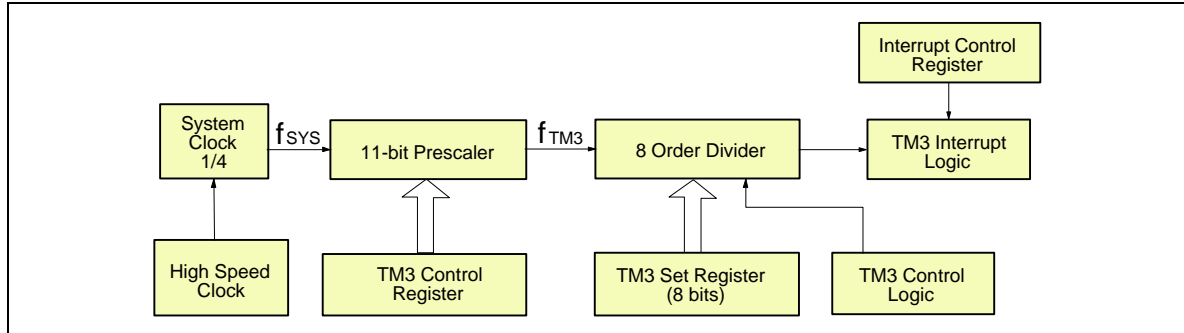
In the pulse/period width measurement mode the measuring-data is the 1'S complement of the exact data and the TM2 interrupt flag is set every 255 timer clock past or the 2nd trigger condition occurs. So the measured pulse/period width is  $(255(N-1) + \overline{TM2}) * T$ , N is the number of interrupt flag occurs,  $\overline{TM2}$  is the 1'S complement of timer2 register, T is the period of timer 2 clock. The special function input or output is from or to P5.1.



## 6.11.4 TM3

TM3 can perform the following functions:

1. 2 to 19 order divider
2. Auto-reload timer



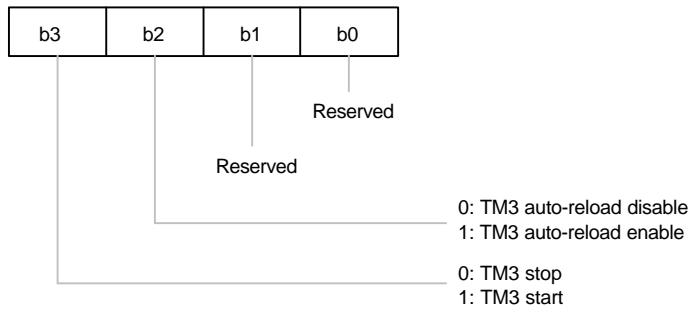
TM3CR register: (address = 02FH, default data = 0H)

b3	b2	b1	b0	Input frequency ( $f_{TM3}$ )
0	0	0	0	$f_{SYS}/2$ Hz
0	0	0	1	$f_{SYS}/4$ Hz
0	0	1	0	$f_{SYS}/8$ Hz
0	0	1	1	$f_{SYS}/16$ Hz
0	1	0	0	$f_{SYS}/32$ Hz
0	1	0	1	$f_{SYS}/64$ Hz
0	1	1	0	$f_{SYS}/128$ Hz
0	1	1	1	$f_{SYS}/256$ Hz
1	0	0	0	$f_{SYS}/512$ Hz
1	0	0	1	$f_{SYS}/1024$ Hz
1	0	1	0	$f_{SYS}/2048$ Hz

The TM3 set register is divided into TM3 MSB data register (TM3MSB register, address = 030H, default = 0FH) and TM3 LSB data register (TM3LSB register, address = 031H, default = 0FH).

The format of the status of TM3 register (STTM3) is described below:

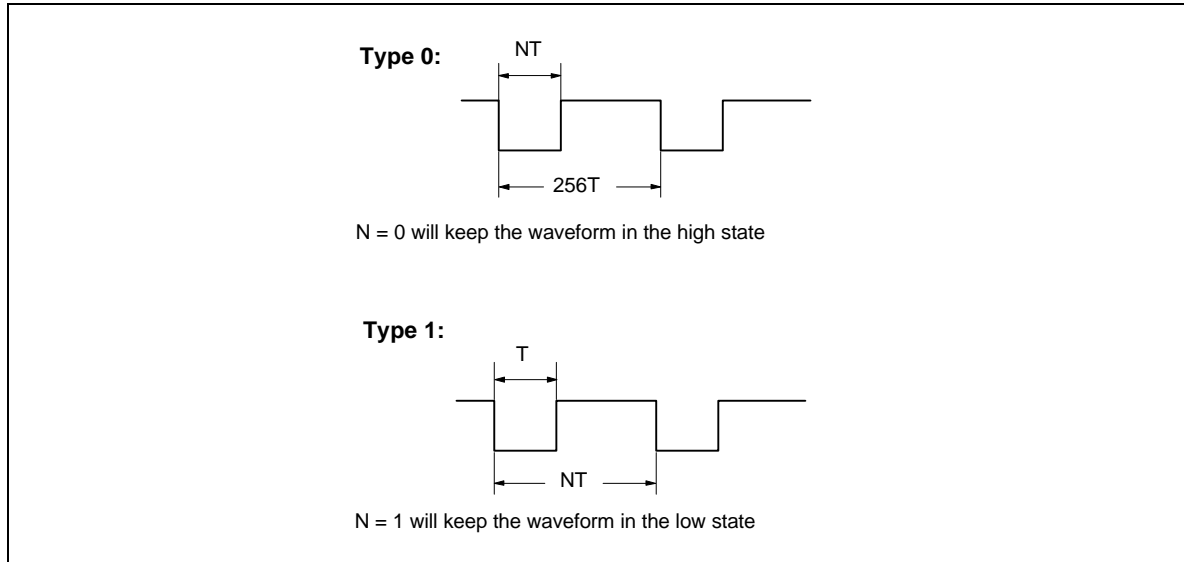
STTM3 register: (address = 032H, default data = 0H)





## 6.11.5 Arbitrary Waveform Generator

The TM1 and TM2 have the arbitrary waveform generator circuit. Both have the same function as the following description.



Note: N is the value stored in the TM1 Set Reg. (TM1MSB, TM1LSB) or TM2 Set Reg. (TM2MSB, TM2LSB)

## 6.12 Interrupt

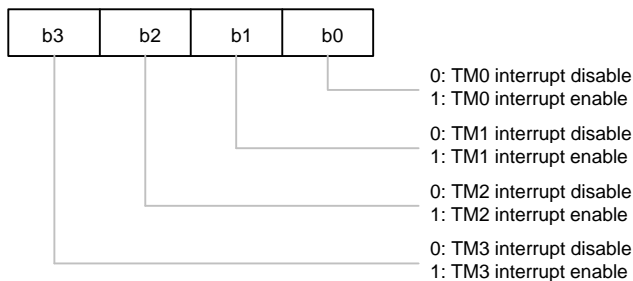
There are ten interrupt sources (four external and six internal sources) in the W921E840A/W921C840. All the pins of external sources (INT0 (P4.3) and port P4 (P4.0 to P4.2)) are falling edge active. The priority of those interrupts is  $INT0 > TM0 > TM1 > TM2 > (Comparator / TM3) > P4.0 \text{ to } P4.2 > SERIAL$ .

### 6.12.1 Interrupt Control Register

Which interrupt is enabled is controlled by the interrupt control register 1 to 3 (INTCT1 to INTCT3).

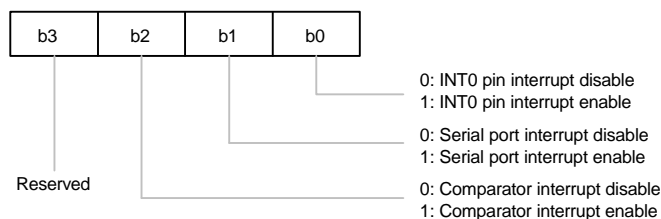
The formats are shown below:

INTCT1 register: (address = 039H, default data = 0H)

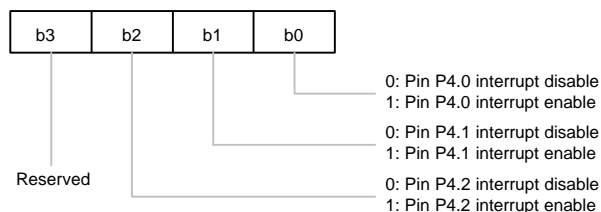




INTCT2 register: (address = 03AH, default data = 0H)



INTCT3 register: (address = 03BH, default data = 0H)

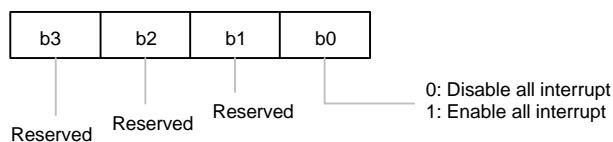


## 6.12.2 Interrupt Enable Flag

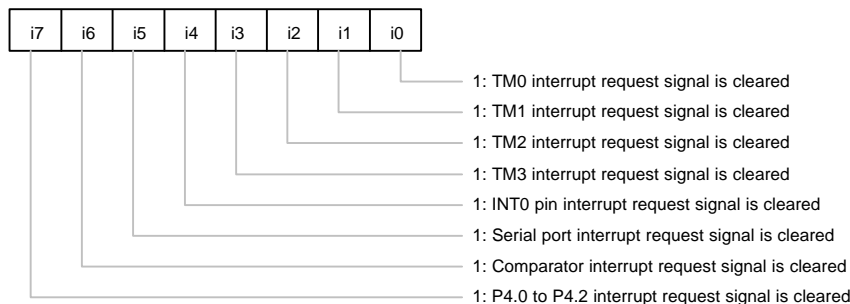
When the interrupt is enabled by the event, the program counter will jump to the interrupt address and the enable interrupt flag (ENINT) bit0 is cleared, at the same time, all the interrupt will be disabled.

The only way to enable the interrupt again is to set the ENINT bit0 or execute the RTNI instruction.

ENINT register: (address = 034H, default data = 0H)



When the interrupt is enabled by the event, the individual interrupt request signal is cleared by the hardware automatically, but the other interrupt request signals will remain the same condition. The only method of resetting the interrupt request signal is to execute the instruction CLR EVF, #I (I is a 8bits data, for example, CLR EVF, #00000001b instruction implies to clear TM0 interrupt request signal), it is a 2 words / 2 cycles instruction; the format of the immediate data is shown below.



# W921E840A/W921C840



## 6.13 Operating Mode

There are three types of operating mode in this chip — normal mode, hold mode and stop mode.

### 6.13.1 Normal Mode

All functions works well and the  $\mu\text{C}$  operates according to the clock generated by the system clock.

### 6.13.2 Hold Mode

In hold mode, all operations of  $\mu\text{C}$  cease, except for the operation of the oscillator, timer/counter, serial port and interrupt active pins. The  $\mu\text{C}$  enters hold mode when the HOLD instruction is executed.

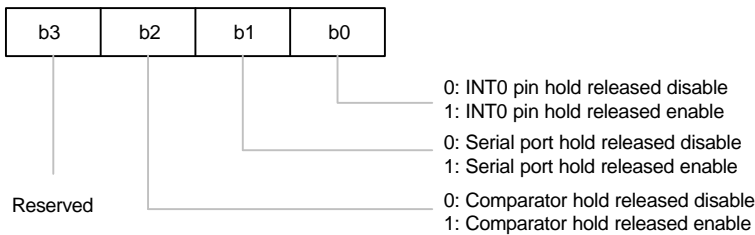
The hold mode can be released only by the RESET pin or the interrupt request signal. Before The device enters the hold mode, the hold mode release flag1, 2, 3 (HMRF1, 2, 3, address = 036H, 037H, 038H) must be set to define the hold mode release conditions. If interrupt condition is met and enabled in hold mode, the interrupt will be accepted to release hold mode and jump to interrupt vector to execute interrupt service routine. For more details, refer to the following flags and flow chart.

HMRF1 register: (address = 036H, default data = 0H)

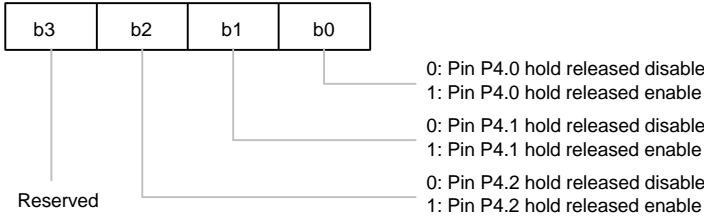
Bit	7	6	5	4	3	2	1	0								
0									ADD A, #							
1									ADC A, #							
2									SUB A, #							
3									SBC A, #							
4									ANL A, #							
5									ORL A, #							
6									XRL A, #							
7									CMP A, #							
8																
9																
A																
B																
C																
D																
E																
F																

<input type="checkbox"/> 1W/1C	<input type="checkbox"/> 1W/2C	<input type="checkbox"/> 1W/3C
<input type="checkbox"/> 2W/2C	<input type="checkbox"/> 2W/3C	<input type="checkbox"/> 3W/3C
<input type="checkbox"/> Undecided		

HMRF2 register: (address = 037H, default data = 0H)

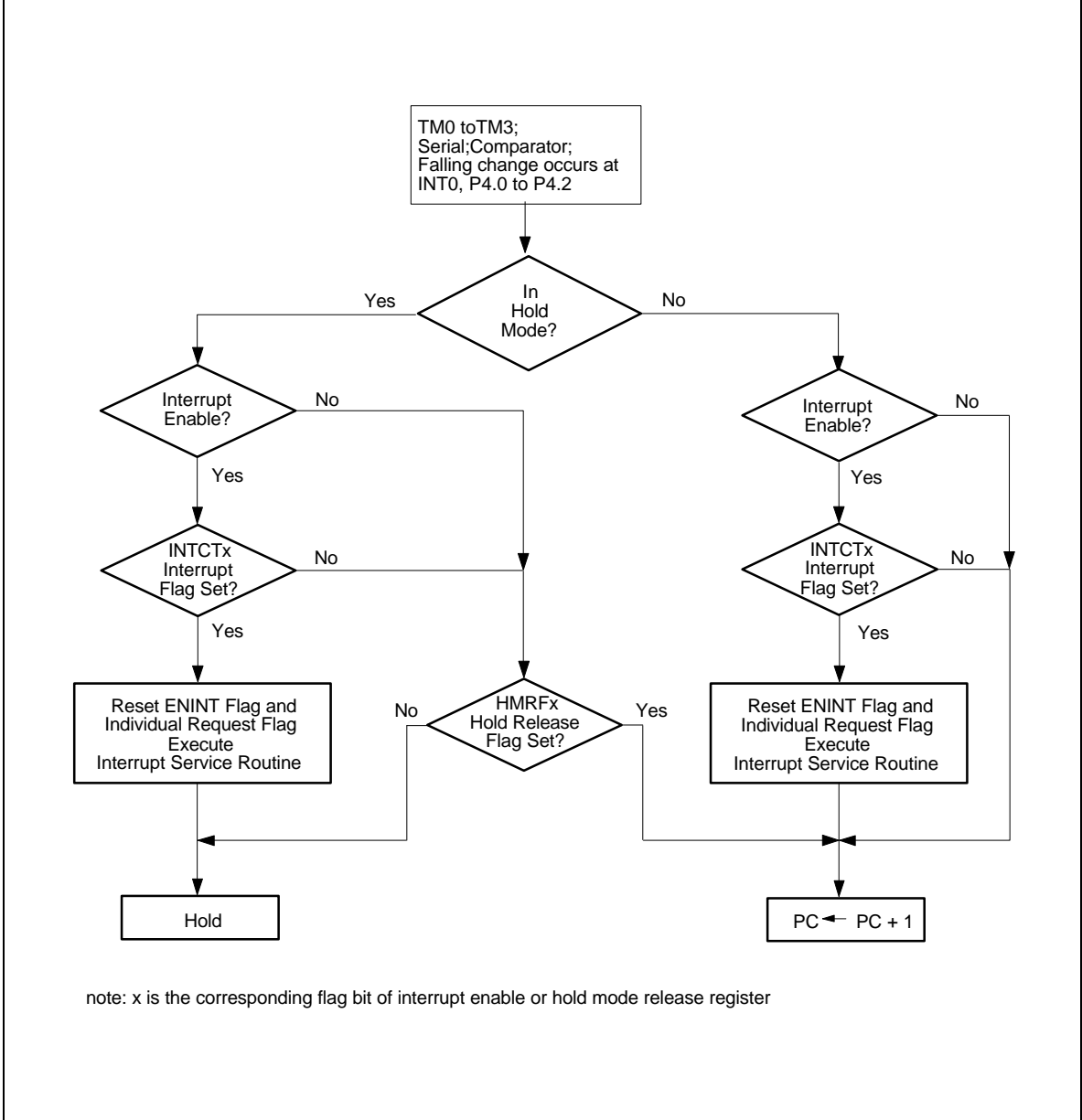


HMRF3 register: (address = 038H, default data = 0H)





Hold mode operation flow chart

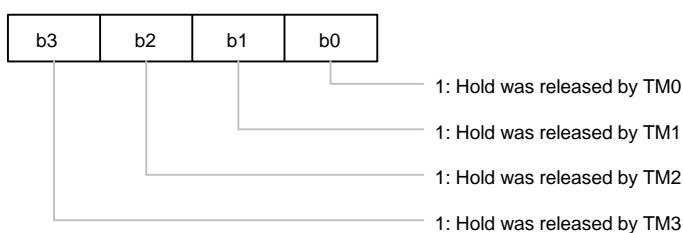


# W921E840A/W921C840

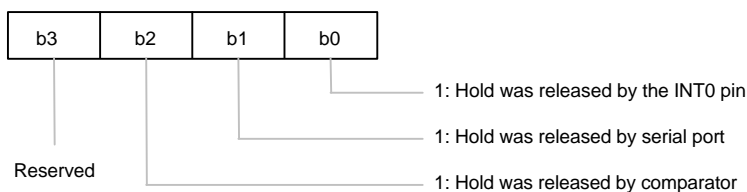


The hold released status flag1, 2, 3 (HRSTS1, 2, 3, address = 03CH, 03DH, 03EH) indicate by which interrupt source the hold mode has been released, and is loaded by hardware. When any bit of HRSTS1, 2, 3 is "1," the hold mode will be released and HOLD instruction is invalid. The bit descriptions are as follows:

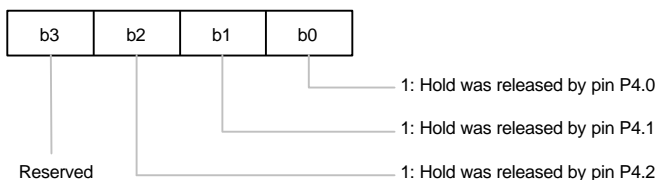
HRSTS1 register: (address = 03CH, read only, default data = 0H)



HRSTS2 register: (address = 03DH, read only, default data = 0H)



HRSTS3 register: (address = 03EH, read only, default data = 0H)



HRSTS1, 2 and 3 are read only registers and can be reset by the instruction CLR EVF, #1. When EVF has been reset, the corresponding bit of HRSTS<sub>n</sub> (n = 1 to 3) is reset simultaneously.

### 6.13.3 Stop Mode

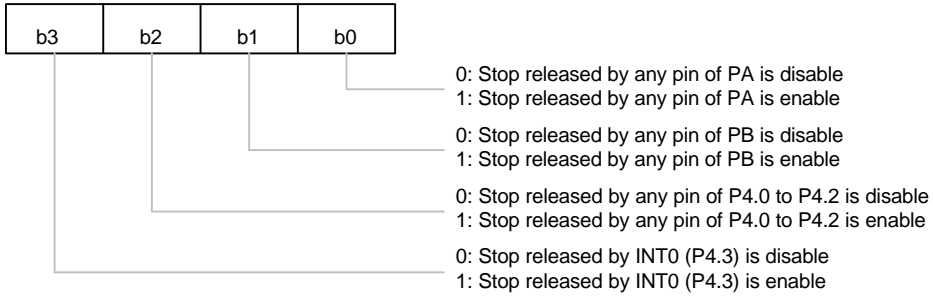
The  $\mu$ C enters the stop mode only when the STOP instruction is executed. Because the oscillator is stopped, all functions in this chip are stopped.

The stop mode can be released by the RESET pin, INTO pin, P4.0 to P4.2, PA port or PB port. The stop condition release flag (STPRF, address = 035H) is the stop mode release control register.

# W921E840A/W921C840



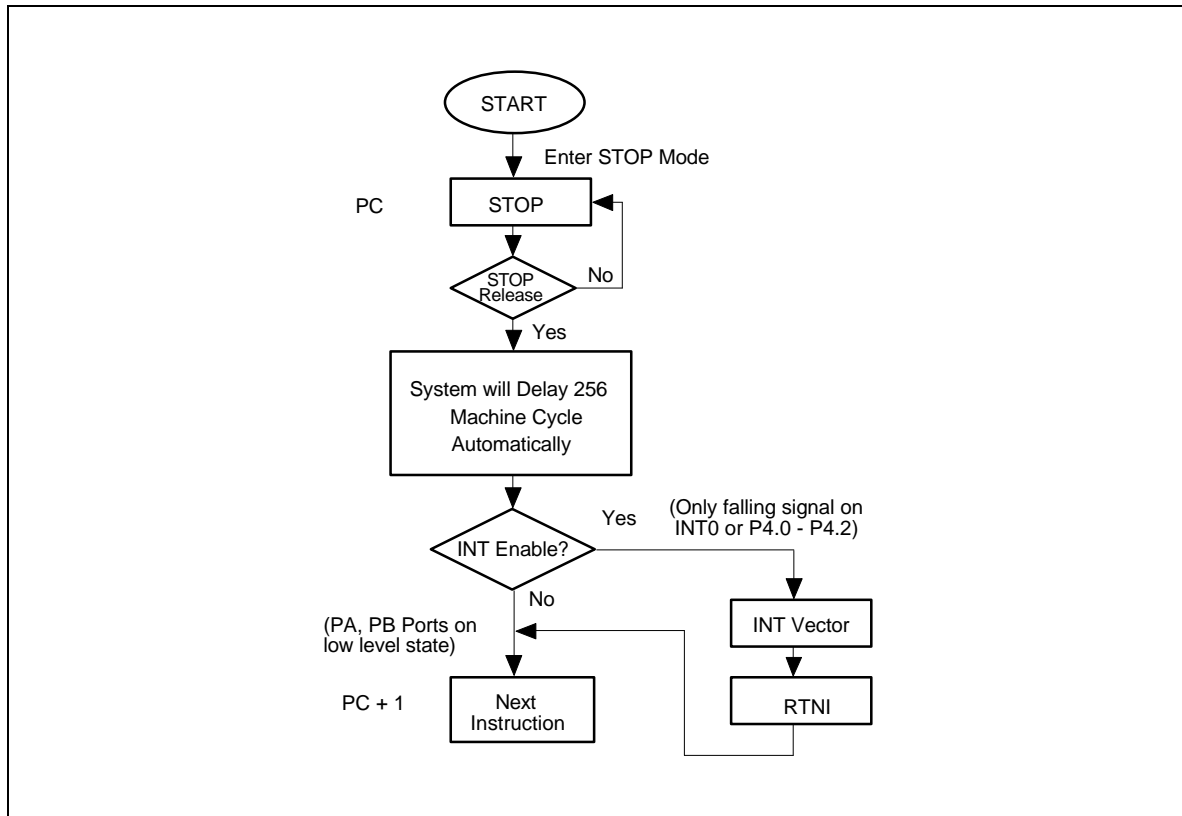
STPRF register: (address = 035H, default data = 8H)



When stop mode is active, if the stop condition release flag (STPRF) is set before the STOP instruction is executed, the low level signal on the P4, PA or PB ports will release the stop mode and a delay of 256 machine cycles occurs right after the stop mode is released, then the next instruction is executed or the program counter (PC) jumps to interrupt subroutine if the interrupt is enabled and interrupt request exists.

The control flow chart is shown below:

Stop mode operation flow chart



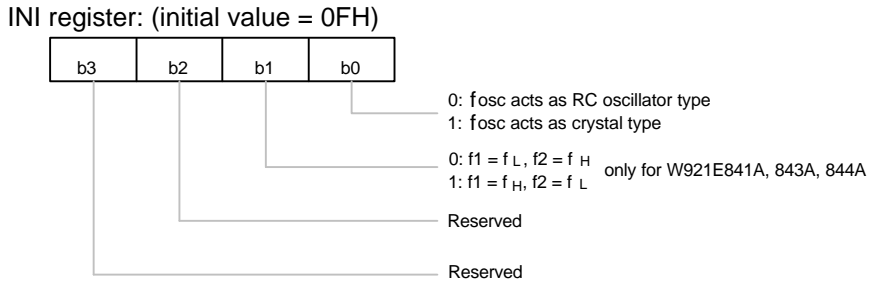


# W921E840A/W921C840



## 6.14 Initial Condition Register of EPROM Program Method

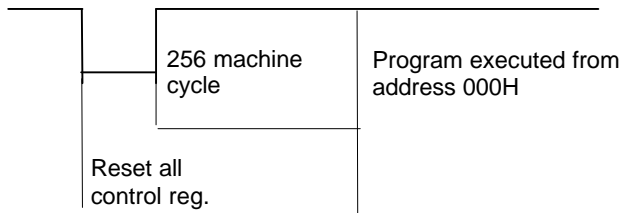
There is one 4-bit of the initial condition register (not part of the RAM) in W921E840A to control the micro-controller initial status after power-on. The format is described as following:



## 6.15 Reset

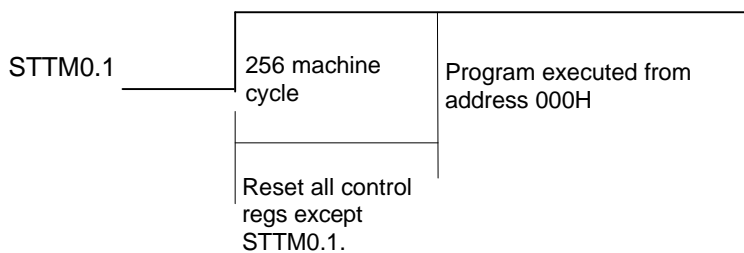
W921E840A/W921C840 provides two reset methods, pull low  $\overline{\text{RESET}}$  pin and watch dog timer reset.

### 6.15.1 Reset by $\overline{\text{RESET}}$



As  $\overline{\text{RESET}}$  pin is pulled low, system and all control registers are reset to initial state. After  $\overline{\text{RESET}}$  pin is in high level, system will delay 256 machine cycle time, then program is executed from address 000H.

### 6.15.2 Reset by Watch Dog Timer



As watch dog timer underflows, the STTM0.1 is set, in the meantime, system and all control registers, except data 1 in STTM0.1 bit is reserved, are reset to initial state, then after a delay of 256 machine cycle time program is executed from address 000H. After system reset, user can detect STTM0.1 to recognize which method of reset was used before.

# W921E840A/W921C840



## 7. ABSOLUTE MAXIMUM RATINGS

PARAMETER	SYMBOL	RATING	UNIT
DC Supply Voltage	VDD-VSS	-0.3 to +7.0	V
Input/Output Voltage	VIL	VSS - 0.3	V
	VIH	VDD + 0.3	
	VOL	VSS - 0.3	
	VOH	VDD + 0.3	
Power Dissipation	PD	120	mW
Operating Temperature	TOPR	0 to +70	°C
Storage Temperature	TSTG	-55 to +150	°C

Note: Exposure to conditions beyond those listed under Absolute Maximum Ratings may adversely affect the life and reliability of the device.

## 8. ELECTRICAL CHARACTERISTICS

### 8.1 DC Characteristics

#### W921E840A EPROM Type

(VDD-VSS = 3.0V, Fosc = 4.0 MHz, TA = 25° C, all outputs unloaded)

PARAMETER	SYM.	CONDITIONS	MIN.	TYP.	MAX.	UNIT
Operating Voltage	VDD	-	2.8	3.0	5.5	V
Operating Current	IOP1	Analog active, VDD = 5V, Fosc = 4 MHz	-	9	12	mA
Operating Current (Active Mode)	IOP2	Analog disable, VDD = 5V, FOSC = 4 MHz	-	5	7	mA
	IOP3	Analog active, VDD = 3V, FOSC = 800 KHz	-	3.1	4.3	mA
	IOP4	Analog disable, VDD = 3V, FOSC = 800 KHz	-	0.6	1.8	mA
	IOP5	Analog active, VDD = 3V, FOSC = 400 KHz	-	1.0	2.0	mA
	IOP6	Analog disable, VDD = 3V, FOSC = 400 KHz	-	0.4	1.2	mA
Hold Mode Current	IHM1	VDD = 5V, Fosc = 4 MHz	-	1.2	3.5	mA
	IHM2	VDD = 3V, Fosc = 800 KHz	-	0.3	0.7	mA
	IHM3	VDD = 3V, Fosc = 400 KHz	-	0.25	0.5	mA
	IHM4	VDD = 3V, Fosc = 32.768 KHz	-	50	80	µA

# W921E840A/W921C840



W921E840A EPROM Type DC Characteristics, continued

PARAMETER	SYM.	CONDITIONS	MIN.	TYP.	MAX.	UNIT
Stop Mode Current	ISM1	VDD = 5V, Fosc = 4 MHz	–	2.0	3.0	μA
	ISM2	VDD = 3V, Fosc = 800 KHz	–	1.0	3.0	μA
	ISM3	VDD = 3V, Fosc = 400 KHz	–	1.0	3.0	μA
	ISM4	VDD = 3V, Fosc = 32.768 KHz	–	1.0	3.0	μA
Input High Voltage	VIH	–	0.7 VDD	–	VDD	VDD
Input Low Voltage	VIL	–	0	–	0.3 VDD	VDD
Pull-high Resistor (P2, P4, P6, PA, PB, PC, PD)	RPH	VDD = 3V	–	400	–	KΩ
Output High Voltage	VOH	IOH = -0.5 mA	VDD - 1.0	–	–	V
Output Low Voltage	VOL1	IOH = 15 mA, port P2	–	–	2.0	V
	VOL2	IOH = 0.4 mA, Other ports	–	–	0.4	
Input Leakage Current	VIL	VIN = 0V, $\overline{\text{RESET}}$ pin	–	–	1	μA
DTMF Output DC Level	VTDC	VDD = 2.8 to 5.5V	1.0	–	3.0	V
DTMF Distortion	THD	VDD = 2.8 to 5.5V	-	-30	-23	dB
DTMF Output Voltage	VTO	ROW Group, RL = 5 KΩ	130	150	170	mVrms
Pre-emphasis		COL/ROW	1	2	3	dB
D/A DC Reference Voltage	VREF	–	0	–	2/3	VDD
D/A Resolution Voltage	VRSL	–	–	1/256	–	VDAC

## W921C840 Mask ROM Type

(VDD–VSS = 3.0V, Fosc = 4.0 MHz, TA = 25° C, all outputs unloaded)

PARAMETER	SYM.	CONDITIONS	MIN.	TYP.	MAX.	UNIT
Operating Voltage	VDD	4 MHz	2.4	-	5.5	V
		2 MHz	2.0	-	5.5	V
		400 KHz	2.0	-	5.5	V
Operating Current (Active Mode) (Analog all off)	VDD = 3V	4 MHz	--	1.0	--	mA
		2 MHz	--	0.7	--	mA
		400 KHz	--	0.4	--	mA
	VDD = 5V	4 MHz	--	2.5	--	mA
		2 MHz	--	2.2	--	mA
		400 KHz	--	1.5	--	mA

Publication Release Date: July 1999

# W921E840A/W921C840



W921C840 Mask ROM Type, continued

PARAMETER	SYM.	CONDITIONS	MIN.	TYP.	MAX.	UNIT
Hold Mode Current (Analog all off)	IHM1	VDD = 3V, Fosc = 4 MHz	--	0.5	--	mA
		VDD = 5V, Fosc = 4 MHz	--	2.0	--	mA
Hold Mode Current (Analog all off)	IHM2	VDD = 3V, Fosc = 32.768 KHz	--	10	--	μA
		VDD = 5V, Fosc = 32.768 KHz	--	50	--	μA
Stop Mode Current	ISM	VDD = 3V	–	1.0	3.0	μA
		VDD = 5V	–	1.0	3.0	μA
Input High Voltage	VIH	–	0.7 VDD	–	VDD	VDD
Input Low Voltage	VIL	–	0	–	0.3 VDD	VDD
Pull-high Resistor (P2, P4, P6, PA, PB, PC, PD)	RPH	VDD = 3V	–	400	–	KΩ
Output High Voltage	VOH	IOH = -0.5 mA	VDD – 1.0	–	–	V
Output Low Voltage	VOL1	IOL = 15 mA, port P2	–	–	2.0	V
	VOL2	IOL = 0.4 mA, Other ports	–	–	0.4	
Input Leakage Current	VIL	VIN = 0V, RESET pin	–	–	1	μA
DTMF Output DC Level	VTDC	VDD = 2.8 to 5.5V	1.0	–	3.0	V
DTMF Distortion	THD	VDD = 2.8 to 5.5V	-	-30	-23	dB
DTMF Output Voltage	VTO	ROW Group, RL = 5 KΩ	130	150	170	mVrms
Pre-emphasis		Col/Row VDD = 3.0 to 5.5V	1	2	3	dB
D/A DC Reference Voltage	VREF	–	0	–	2/3	VDD
D/A Resolution Voltage	VRSL	–	–	1/256	–	VDAC

# W921E840A/W921C840



## 8.2 AC Characteristics

### W921E840A EPROM Type

(V<sub>DD</sub>-V<sub>SS</sub> = 3.0V, F<sub>osc</sub> = 4.0 MHz, T<sub>A</sub> = 25° C, all outputs unloaded)

PARAMETER	SYM.	CONDITIONS	MIN.	TYP.	MAX.	UNIT
Operating Frequency	FOSC1	OSCI, $\overline{OSCO}$	-	400	-	KHz
	FOSC2		-	800	-	KHz
	FOSC3		-	2	-	MHz
	FOSC4		-	3.58	-	MHz
	FOSC5		-	4	-	MHz
Operating Sub-frequency	FSUB	XT, $\overline{XT}$	-	32.768	-	KHz
Instruction Cycle Time	T <sub>I</sub>	One Machine Cycle	-	4/F <sub>osc</sub>	-	S
Serial Port Data Ready Time	TDR	-	200	-	-	nS
Serial Port Data Hold Time	TDH	-	200	-	-	nS
$\overline{RESET}$ Active Width	TRAW	-	2	-	-	T <sub>I</sub>
ROW 1 Frequency (697Hz)	FROW1	FOSC = 4 Mhz, 2MHz, 800 KHz, 400 KHz	-0.5	-	+0.5	%
		FOSC = 3.58 MHz	-0.92	-	+0.92	
ROW 2 Frequency (770 Hz)	FROW2	Same as ROW1	-0.5	-	+0.5	%
			-0.92	-	+0.92	
ROW 3 Frequency (852 Hz)	FROW3	Same as ROW1	-0.5	-	+0.5	%
			-0.92	-	+0.92	
ROW 4 Frequency (941 Hz)	FROW4	Same as ROW1	-0.5	-	+0.5	%
			-0.92	-	+0.92	
COL 1 Frequency (1209 Hz)	FCOL1	Same as ROW1	-0.5	-	+0.5	%
			-0.92	-	+0.92	
COL 2 Frequency (1336 Hz)	FCOL2	Same as ROW1	-0.5	-	+0.5	%
			-0.92	-	+0.92	
COL 3 Frequency (1477 Hz)	FCOL3	Same as ROW1	-0.5	-	+0.5	%
			-0.92	-	+0.92	
COL 4 Frequency (1633 Hz)	FCOL4	Same as ROW1	-0.5	-	+0.5	%
			-0.92	-	+0.92	
Oscillator Start Time	TOST	$\overline{OSCO}$	-	$2^{17}/F_{osc}$	-	mS

# W921E840A/W921C840



## W921C840 Mask ROM Type

(V<sub>DD</sub>-V<sub>SS</sub> = 3.0V, F<sub>osc</sub> = 4.0 MHz, T<sub>A</sub> = 25° C, all outputs unloaded)

PARAMETER	SYMBOL	CONDITIONS	MIN.	TYP.	MAX.	UNIT
Operating Frequency	FOSC1	OSCI, $\overline{\text{OSCO}}$	-	400	-	KHz
	FOSC2		-	800	-	KHz
	FOSC3		-	2	-	MHz
	FOSC4		-	3.58	-	MHz
	FOSC5		-	4	-	MHz
Operating Sub-frequency	FSUB	XT, $\overline{\text{XT}}$	-	32.768	-	KHz
Instruction Cycle Time	T <sub>I</sub>	One Machine Cycle	-	4/F <sub>osc</sub>	-	S
Serial Port Data Ready Time	TDR	-	200	-	-	nS
Serial Port Data Hold Time	TDH	-	200	-	-	nS
$\overline{\text{RESET}}$ Active Width	TRAW	-	2	-	-	T <sub>I</sub>
ROW 1 Frequency (697Hz)	FROW1	FOSC = 4 MHz, 2 MHz, 800 KHz, 400 KHz	-0.5	-	+0.5	%
		FOSC = 3.58 MHz	-0.92	-	+0.92	
ROW 2 Frequency (770 Hz)	FROW2	Same as ROW1	-0.5	-	+0.5	%
			-0.92	-	+0.92	
ROW 3 Frequency (852 Hz)	FROW3	Same as ROW1	-0.5	-	+0.5	%
			-0.92	-	+0.92	
ROW 4 Frequency (941 Hz)	FROW4	Same as ROW1	-0.5	-	+0.5	%
			-0.92	-	+0.92	
COL 1 Frequency (1209 Hz)	FCOL1	Same as ROW1	-0.5	-	+0.5	%
			-0.92	-	+0.92	
COL 2 Frequency (1336 Hz)	FCOL2	Same as ROW1	-0.5	-	+0.5	%
			-0.92	-	+0.92	
COL 3 Frequency (1477 Hz)	FCOL3	Same as ROW1	-0.5	-	+0.5	%
			-0.92	-	+0.92	
COL 4 Frequency (1633 Hz)	FCOL4	Same as ROW1	-0.5	-	+0.5	%
			-0.92	-	+0.92	
Oscillator Start Time	TOST	$\overline{\text{OSCO}}$	-	2 <sup>17</sup> /F <sub>osc</sub>	-	mS



## 9. ADDRESSING MODE

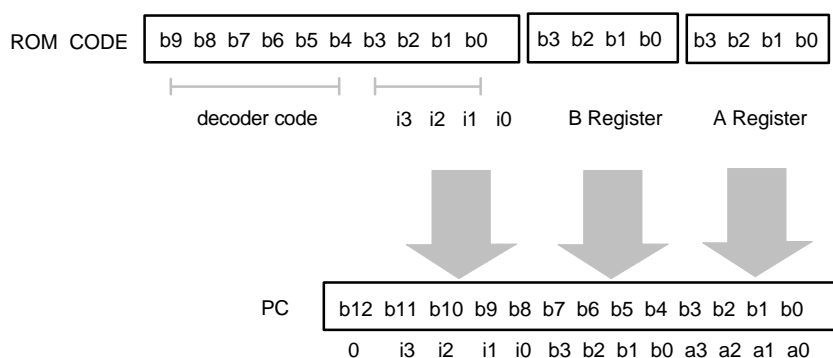
There are ROM, RAM, and Look-up table addressing modes in this chip.

### 9.1 ROM Addressing Mode

There are two types of ROM addressing mode in this chip:

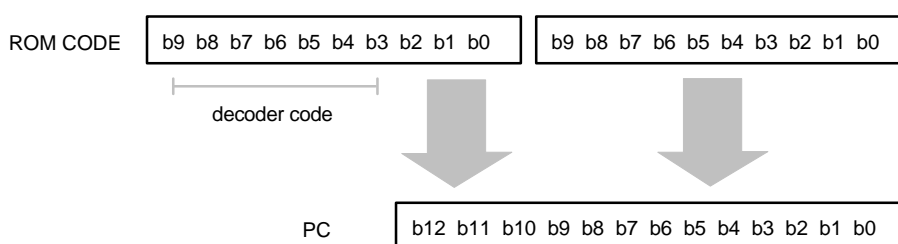
- Indirect call addressing mode (0000H to 0FFFH)
- Long call/jump addressing mode (0000H to 1FFFH)

#### 9.1.1 Indirect Call Addressing Mode: (1 word/2 cycles)



**Instruction: CALLP**

#### 9.1.2 Long Call/Jump Addressing Mode: (2 words/2 cycles)



**Instruction: CALL, JMPL, JB0, JB1, JB2, JB3, JC, JNC, JZ, JNZ**

### 9.2 RAM Addressing Mode

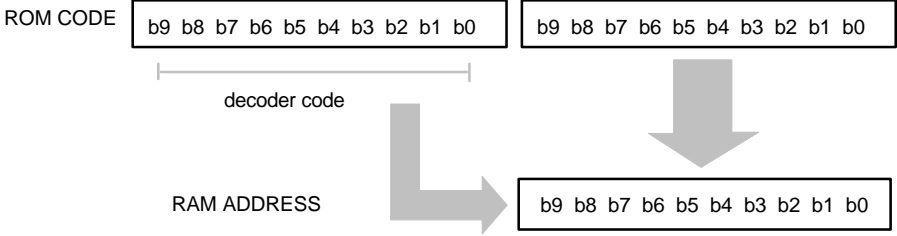
There are three types of RAM addressing mode in this chip:

- Direct addressing mode
- Indirect addressing mode
- Working register addressing mode

# W921E840A/W921C840

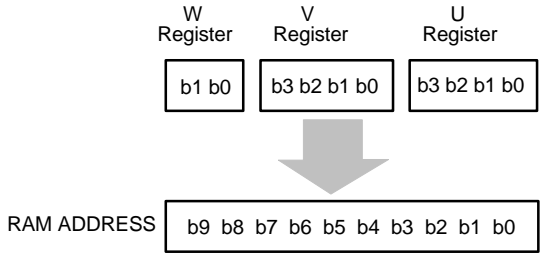


### 9.2.1 Direct Addressing Mode: (2 words/2 cycles)



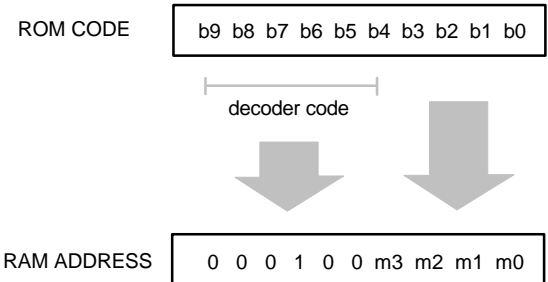
Instruction: MOV A, Mx; MOV B, Mx; MOV Mx, A; MOV Mx, B; ..., etc.

### 9.2.2 Indirect Addressing Mode: (1 word/1 cycle)



Instruction: MOV A, @M; MOV B, @M; MOV @M, A; ..., etc.

### 9.2.3 Working Register Addressing Mode: (1 word/1 cycle)



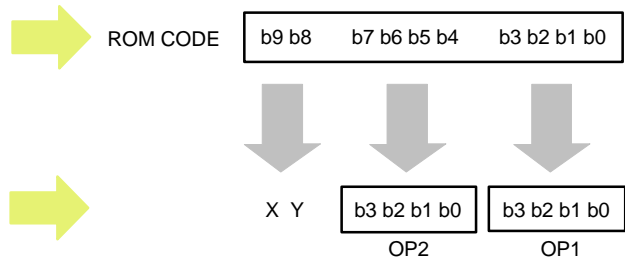
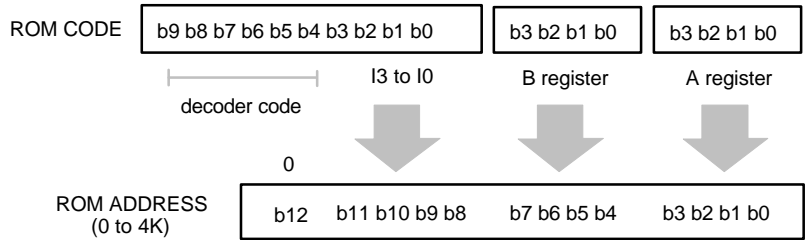
Instruction: MOV A, WRn; MOV WRn, A; ..., etc.

### 9.3 Look-up Table Addressing Mode (1 word/2 cycles)

There is one special function look-up table addressing mode in this chip; the instruction is TBL I and the function is shown in the following table.



# W921E840A/W921C840



ROM Code Output to Register or Port

X	Y	OP2	OP1
0	0	Disable	Disable
0	1	B register	A register
1	0	Port P2	Disable
1	1	Both	A register

**Example:**

```

MOV A, #03H
MOV B, #01H
TBL 02H ; A = 0CH, B = Port2 = 0DH
.
.
.
ORG 213H
DC 3DCH
.
.
.
  
```

# W921E840A/W921C840



## 10. INSTRUCTION CODE MAP

b9 = 0

b8 = 0

MSB \ LSB	0	1	2	3	4	5	6	7	8	9	A	B	C	D	E	F
0	NOP	MOV A, B	MOV A, Mx	MOV A, @M	MOV A, W	MOV A, V	MOV A, U		SRL A	INC B	ADD A, Mx	ADD A, @M		CLRB Mx, bit		
1	MOV B, A		MOV B, Mx	MOV B, @M					SRH A	INC DP	ADC A, Mx	ADC A, @M		CLRB @M, bit		
2	MOV Mx, A	MOV Mx, B							SLL A	DEC B	SUB A, Mx	SUB A, @M		SETB Mx, bit		
3	MOV @M, A	MOV @M, B							SLH A	DEC DP	SBC A, Mx	SBC A, @M		SETB @M, bit		
4	MOV W, A								RRC A		ANL A, Mx	ANL A, @M	CLR EVF	XCH A, B	MOV DP, #I	SOP
5	MOV V, A										ORL A, Mx	ORL A, @M				SIP
6	MOV U, A								RLC A	XRL A, B	XRL A, Mx	XRL A, @M	SET CF	XCH V, CV	HOLD	RTN
7										CMP A, B	CMP A, Mx	CMP A, @M	CLR CF	XCH U, CU	STOP	RTNI
8									ADD A, #I							
9									ADC A, #I							
A									SUB A, #I							
B									SBC A, #I							
C									ANL A, #I							
D									ORL A, #I							
E									XRL A, #I							
F									CMP A, #I							

- 1W/1C     1W/2C     1W/3C
- 2W/2C     2W/3C     3W/3C
- Undecided

# W921E840A/W921C840



**b9 = 1**

**b8 = 0**

MSB \ LSB	0	1	2	3	4	5	6	7	8	9	A	B	C	D	E	F
0																
1																
2																
3																
4																
5																
6																
7																
8				JB0								JB1				
9				JB2								JB3				
A				JC								JNC				
B				JZ								JNZ				
C				JMPL								CALL				
D										CALLP						
E										TBL						
F																

1W/1C    1W/2C    1W/3C

2W/2C    2W/3C    3W/3C

Undecided

# W921E840A/W921C840



**b9 = 1**

**b8 = 1**

MSB \ LSB	0	1	2	3	4	5	6	7	8	9	A	B	C	D	E	F
0									MOV A, #I							
1									MOV B, #I							
2									MOV Mx, #I							
3									MOV @M, #I							
4			ADD A, WRn									ADC A, WRn				
5			SUB A, WRn									SBC A, WRn				
6			ANL A, WRn									ORL A, WRn				
7			XRL A, WRn									CMP A, WRn				
8									MOV A, WRn							
9									MOV A, Px							
A									MOV B, WRn							
B									MOV B, Px							
C									MOV WRn, A							
D									MOV Px, A							
E									MOV WRn, B							
F									MOV Px, B							

1W/1C     1W/2C     1W/3C

2W/2C     2W/3C     3W/3C

Undecided

# W921E840A/W921C840



## 11. INSTRUCTION SET SUMMARY

Machine code	Mnemonic	Function	A	B	U	V	W	Status	W/C	Memo
<b>Arithmetic</b>										
00 0000 1010, xxxxxxxxxxxx	<b>ADD A, Mx</b>	$A + Mx \rightarrow A$	A					Z, C	2/2	
11 0100 0 iii	<b>ADD A, WRx</b>	$A + WRx \rightarrow A$	A					Z, C	1/1	x = 0 ... 7
00 0000 1011	<b>ADD A, @M</b>	$A + @M \rightarrow A$	A		U	V	W	Z, C	1/1	
00 0001 1010, xxxxxxxxxxxx	<b>ADC A, Mx</b>	$A + Mx + C \rightarrow A$	A					Z, C	2/2	
11 0100 1 iii	<b>ADC A, WRx</b>	$A + WRx + C \rightarrow A$	A					Z, C	1/1	x = 0 ... 7
00 0001 1011	<b>ADC A, @M</b>	$A + @M + C \rightarrow A$	A		U	V	W	Z, C	1/1	
00 0010 1010, xxxxxxxxxxxx	<b>SUB A, Mx</b>	$A - Mx \rightarrow A$	A					Z, C	2/2	
11 0101 0 iii	<b>SUB A, WRx</b>	$A - WRx \rightarrow A$	A					Z, C	1/1	x = 0 ... 7
00 0010 1011	<b>SUB A, @M</b>	$A - @M \rightarrow A$	A		U	V	W	Z, C	1/1	
00 0011 1010, xxxxxxxxxxxx	<b>SBC A, Mx</b>	$A - Mx - C \rightarrow A$	A					Z, C	2/2	
11 0101 1 iii	<b>SBC A, WRx</b>	$A - WRx - C \rightarrow A$	A					Z, C	1/1	x = 0 ... 7
00 0011 1011	<b>SBC A, @M</b>	$A - @M - C \rightarrow A$	A		U	V	W	Z, C	1/1	
00 1000 iii i	<b>ADD A, #I</b>	$A + I \rightarrow A$	A					Z, C	1/1	
00 1001 iii i	<b>ADC A, #I</b>	$A + I + C \rightarrow A$	A					Z, C	1/1	
00 1010 iii i	<b>SUB A, #I</b>	$A - I \rightarrow A$	A					Z, C	1/1	
00 1011 iii i	<b>SBC A, #I</b>	$A - I - C \rightarrow A$	A					Z, C	1/1	
00 1010 0001	<b>DEC A</b>	$A - 1 \rightarrow A$	A					Z, C	1/1	<b>SUB A, #1</b>
00 0010 1001	<b>DEC B</b>	$B - 1 \rightarrow B$		B				Z, C	1/1	
00 0011 1001	<b>DEC DP</b>	$DP - 1 \rightarrow DP$			U	V	W	C	1/1	
00 1000 0001	<b>INC A</b>	$A + 1 \rightarrow A$	A					Z, C	1/1	<b>ADD A, #1</b>
00 0000 1001	<b>INC B</b>	$B + 1 \rightarrow B$		B				Z, C	1/1	
00 0001 1001	<b>INC DP</b>	$DP + 1 \rightarrow DP$			U	V	W	C	1/1	
<b>Logic</b>										
00 0100 1010, xxxxxxxxxxxx	<b>ANL A, Mx</b>	$A \wedge Mx \rightarrow A$	A					Z	2/2	
11 0110 0 iii	<b>ANL A, WRx</b>	$A \wedge WRx \rightarrow A$	A					Z	1/1	x = 0 ... 7
00 0100 1011	<b>ANL A, @M</b>	$A \wedge @M \rightarrow A$	A		U	V	W	Z	1/1	
00 0101 1010, xxxxxxxxxxxx	<b>ORL A, Mx</b>	$A \vee Mx \rightarrow A$	A					Z	2/2	
11 0110 1 iii	<b>ORL A, WRx</b>	$A \vee WRx \rightarrow A$	A					Z	1/1	x = 0 ... 7
00 0101 1011	<b>ORL A, @M</b>	$A \vee @M \rightarrow A$	A		U	V	W	Z	1/1	
00 0110 1010, xxxxxxxxxxxx	<b>XRL A, Mx</b>	$A \oplus Mx \rightarrow A$	A					Z	2/2	
11 0111 0 iii	<b>XRL A, WRx</b>	$A \oplus WRx \rightarrow A$	A					Z	1/1	x = 0 ... 7
00 0110 1011	<b>XRL A, @M</b>	$A \oplus @M \rightarrow A$	A		U	V	W	Z	1/1	
00 0111 1010, xxxxxxxxxxxx	<b>CMP A, Mx</b>	$A - Mx$						Z, C	2/2	
11 0111 1 iii	<b>CMP A, WRx</b>	$A - WRx$						Z, C	1/1	x = 0 ... 7

# W921E840A/W921C840



## 11. Instruction Set, continued

Machine code	Mnemonic	Function	A	B	U	V	W	Status	W/C	Memo
00 0111 1011	<b>CMP A, @M</b>	A - @M			U	V	W	Z, C	1/1	
00 0110 1001	<b>XRL A, B</b>	A ⊕ B → A	A		B			Z	1/1	
00 0111 1001	<b>CMP A, B</b>	A - B						Z, C	1/1	
00 1100 iiii	<b>ANL A, #I</b>	A ^ I → A	A					Z	1/1	
00 1101 iiii	<b>ORL A, #I</b>	A ∨ I → A	A					Z	1/1	
00 1110 iiii	<b>XRL A, #I</b>	A ⊕ I → A	A					Z	1/1	
00 1111 iiii	<b>CMP A, #I</b>	A - I						Z, C	1/1	
00 1110 1111	<b>NOT A</b>	NOT A → A	A					Z	1/1	XRL A, #F
<b>Move</b>										
00 0000 0001	<b>MOV A, B</b>	B → A	A	B				Z	1/1	
00 0000 0010, xxxxxxxxxxxx	<b>MOV A, Mx</b>	Mx → A	A					Z	2/2	
00 0000 0011	<b>MOV A, @M</b>	@M → A	A		U	V	W	Z	1/1	
00 0000 0100	<b>MOV A, W</b>	W → A	A				W	Z	1/1	
00 0000 0101	<b>MOV A, V</b>	V → A	A			V		Z	1/1	
00 0000 0110	<b>MOV A, U</b>	U → A	A		U			Z	1/1	
00 0001 0000	<b>MOV B, A</b>	A → B	A	B				-	1/1	
00 0010 0000, xxxxxxxxxxxx	<b>MOV Mx, A</b>	A → Mx	A					-	2/2	
00 0011 0000	<b>MOV @M, A</b>	A → @M	A		U	V	W	-	1/1	
00 0100 0000	<b>MOV W, A</b>	A → W	A				W	-	1/1	
00 0101 0000	<b>MOV V, A</b>	A → V	A			V		-	1/1	
00 0110 0000	<b>MOV U, A</b>	A → U	A		U			-	1/1	
00 0001 0010, xxxxxxxxxxxx	<b>MOV B, Mx</b>	Mx → B		B				-	2/2	
00 0001 0011	<b>MOV B, @M</b>	@M → B		B	U	V	W	-	1/1	
00 0010 0001, xxxxxxxxxxxx	<b>MOV Mx, B</b>	B → Mx		B				-	2/2	
00 0011 0001	<b>MOV @M, B</b>	B → @M		B	U	V	W	-	1/1	
11 0000 iiii	<b>MOV A, #I</b>	I → A	A					Z	1/1	
11 0001 iiii	<b>MOV B, #I</b>	I → B		B				-	1/1	
11 0010 iiii, xxxxxxxxxxxx	<b>MOV Mx, #I</b>	I → Mx						-	2/2	
11 0011 iiii	<b>MOV @M, #I</b>	I → @M			U	V	W	-	1/1	
11 1000 nnnn	<b>MOV A, WRn</b>	WRn → A	A					Z	1/1	
11 1001 xxxx	<b>MOV A, Px</b>	Px → A	A					Z	1/1	
11 1010 nnnn	<b>MOV B, WRn</b>	WRn → B		B				-	1/1	
11 1011 xxxx	<b>MOV B, Px</b>	Px → B		B				-	1/1	
11 1100 nnnn	<b>MOV WRn, A</b>	A → WRn	A					-	1/1	
11 1101 nnnn	<b>MOV Px, A</b>	A → Px	A					-	1/1	
11 1110 xxxx	<b>MOV WRn, B</b>	B → WRn		B				-	1/1	

# W921E840A/W921C840



## 11. Instruction Set, continued

Machine code	Mnemonic	Function	A	B	U	V	W	Status	W/C	Memo
11 1111 xxxx	<b>MOV Px, B</b>	B → Px		<b>B</b>				–	1/1	
10 0xxx iiii	<b>MOV PMx, #I</b>	I → PMx						–	1/1	Mode of Port 2 to 6
<b>Serial I/O</b>										
00 0100 1111	<b>SOP</b>	–						–	*1	
00 0101 1111	<b>SIP</b>	–						–	*1	
<b>Rotate or Shift</b>										
00 0000 1000	<b>SRL A</b>	An→An-1, 0→A3	<b>A</b>					<b>Z</b>	1/1	n = 3 to 1
00 0001 1000	<b>SRH A</b>	An→An-1, 1→A3	<b>A</b>					<b>Z</b>	1/1	n = 3 to 1
00 0010 1000	<b>SLL A</b>	An→An+1, 0→A0	<b>A</b>					<b>Z</b>	1/1	n = 0 to 2
00 0011 1000	<b>SLH A</b>	An→An+1, 1→A0	<b>A</b>					<b>Z</b>	1/1	n = 0 to 2
00 0100 1000	<b>RRC A</b>	An→An-1, A0→C, C→A3	<b>A</b>					<b>Z, C</b>	1/1	n = 3 to 1
00 0110 1000	<b>RLC A</b>	An→An+1, A3→C, C→A0	<b>A</b>					<b>Z, C</b>	1/1	n = 0 to 2
<b>Branch</b>										
10 1000 0aaa, aaaaaaaaaa	<b>JB0 addr</b>	Addr → PC						–	2/2	
10 1000 1aaa, aaaaaaaaaa	<b>JB1 addr</b>	Addr → PC						–	2/2	
10 1001 0aaa, aaaaaaaaaa	<b>JB2 addr</b>	Addr → PC						–	2/2	
10 1001 1aaa, aaaaaaaaaa	<b>JB3 addr</b>	Addr → PC						–	2/2	
10 1010 0aaa, aaaaaaaaaa	<b>JC addr</b>	Addr → PC						–	2/2	
10 1010 1aaa, aaaaaaaaaa	<b>JNC addr</b>	Addr → PC						–	2/2	
10 1011 0aaa, aaaaaaaaaa	<b>JZ addr</b>	Addr → PC						–	2/2	
10 1011 1aaa, aaaaaaaaaa	<b>JNZ addr</b>	Addr → PC						–	2/2	
10 1100 0aaa, aaaaaaaaaa	<b>JMPL addr</b>	Addr → PC						–	2/2	Long jump
10 1100 1aaa, aaaaaaaaaa	<b>CALL addr</b>	Addr → PC						–	2/2	
10 1101 aaaa	<b>CALLP addr</b>	@Addr → PC	<b>A</b>	<b>B</b>				–	1/2	Indirect address call
10 1110 aaaa	<b>TBL addr</b>	–	<b>A</b>	<b>B</b>				<b>Z</b>	1/2	Look-up table

\*1: Depends on the SRMNR, SRLNR register

# W921E840A/W921C840



## 11. Instruction Set, continued

Machine code	Mnemonic	Function	A	B	U	V	W	Status	W/C	Memo
<b>Other</b>										
00 0110 1111	RTN	Stack → PC						–	1/3	
00 0111 1111	RTNI	Stack → PC, Z, C						Z, C	1/3	ENINT active again
00 0000 0000	NOP	–						–	1/1	
00 0110 1110	HOLD	–						–	1/1	
00 0111 1110	STOP	–						–	1/1	
00 0001 11bb	CLRB @M, bit	0 → @M(b)			U	V	W	–	1/1	
00 0000 11bb, xxxxxxxxxxx	CLRB Mx, bit	0 → Mx(b)						–	2/2	
00 0011 11bb	SETB @M, bit	1 → @M(b)			U	V	W	–	1/1	
00 0010 11bb, xxxxxxxxxxx	SETB Mx, bit	1 → Mx(b)						–	2/2	
00 0111 1100	CLR CF	0 → C						C	1/1	
11 0000 0000	CLR A	0 → A	A					Z	1/1	MOV A, #0
00 0100 1100, 00iiiiiii	CLR EVF, #I	–						–	2/2	
00 0110 1100	SET CF	C = 1						C	1/1	
00 0100 1110, iiiiiiiiii	MOV DP, #I	I → DP			U	V	W	–	2/2	
00 0111 1101	XCH U, CU	U ↔ CU			U			–	1/1	
00 0110 1101	XCH V, CV	V ↔ CV				V		–	1/1	
00 0100 1101	XCH A, B	A ↔ B	A	B				Z	1/1	

### Notes:

DP = {W, V, U}

@M = @ {W, V, U}

@Addr = {I, B, A} to be a target address for the CALLP instruction



# W921E840A/W921C840



## 12. PACKAGE DIMENSIONS

### 40-pin DIP

Symbol	Dimension in Inches			Dimension in mm		
	Min.	Nom.	Max.	Min.	Nom.	Max.
A	—	—	0.210	—	—	5.334
A <sub>1</sub>	0.010	—	—	0.254	—	—
A <sub>2</sub>	0.150	0.155	0.160	3.81	3.937	4.064
B	0.016	0.018	0.022	0.406	0.457	0.559
B <sub>1</sub>	0.048	0.050	0.054	1.219	1.27	1.372
C	0.008	0.010	0.014	0.203	0.254	0.356
D	—	2.055	2.070	—	52.20	52.58
E	0.590	0.600	0.610	14.986	15.24	15.494
E <sub>1</sub>	0.540	0.545	0.550	13.72	13.84	13.97
e <sub>1</sub>	0.090	0.100	0.110	2.286	2.54	2.794
L	0.120	0.130	0.140	3.048	3.302	3.556
a	0	—	15	0	—	15
e <sub>A</sub>	0.630	0.650	0.670	16.00	16.51	17.01
S	—	—	0.090	—	—	2.286

Notes:

1. Dimension D Max & S include mold flash or tie bar burrs.
2. Dimension E<sub>1</sub> does not include interlead flash.
3. Dimension D & E<sub>1</sub> include mold mismatch and are determined at the mold parting line.
4. Dimension B<sub>1</sub> does not include dambar protrusion/intrusion.
5. Controlling dimension: Inch.
6. General appearance spec. should be based on final visual inspection spec.

### 48-pin QFP

Symbol	Dimension in Inches			Dimension in mm		
	Min.	Nom.	Max.	Min.	Nom.	Max.
A	0.083	0.087	0.090	2.10	2.20	2.30
A <sub>1</sub>	0.002	0.008	0.014	0.05	0.20	0.35
A <sub>2</sub>	—	0.080	—	—	2.00	—
b	0.008	0.013	0.017	0.20	0.33	0.40
C	0.004	0.006	0.008	0.10	0.15	0.20
D	0.390	0.394	0.398	9.90	10.00	10.10
E	0.390	0.394	0.398	9.90	10.00	10.10
ⓐ	0.024	0.030	0.036	0.60	0.75	0.90
H <sub>D</sub>	0.580	0.590	0.600	14.75	15.00	15.25
H <sub>E</sub>	0.580	0.590	0.600	14.75	15.00	15.25
L	0.061	0.066	0.072	1.55	1.70	1.85
L <sub>1</sub>	0.110	0.098	0.126	2.79	2.50	3.20
y	—	—	0.003	—	—	0.75
θ	0°	—	7°	0°	—	7°

# W921E840A/W921C840



## Headquarters

No. 4, Creation Rd. III,  
Science-Based Industrial Park,  
Hsinchu, Taiwan  
TEL: 886-3-5770066  
FAX: 886-3-5792766  
<http://www.winbond.com.tw/>  
Voice & Fax-on-demand: 886-2-27197006

## Taipei Office

11F, No. 115, Sec. 3, Min-Sheng East Rd.,  
Taipei, Taiwan  
TEL: 886-2-27190505  
FAX: 886-2-27197502

## Winbond Electronics (H.K.) Ltd.

Rm. 803, World Trade Square, Tower II,  
123 Hoi Bun Rd., Kwun Tong,  
Kowloon, Hong Kong  
TEL: 852-27513100  
FAX: 852-27552064

## Winbond Electronics North America Corp.

**Winbond Memory Lab.**  
**Winbond Microelectronics Corp.**  
**Winbond Systems Lab.**  
2727 N. First Street, San Jose,  
CA 95134, U.S.A.  
TEL: 408-9436666  
FAX: 408-5441798

Note: All data and specifications are subject to change without notice.