



MONITOR MICROCONTROLLER

GENERAL DESCRIPTION

The W78C354 is a high-performance monitor microcontroller that is based on the embedded 80C32 microcontroller core. The W78C354 includes a 16 KB ROM, 512 byte internal data RAM, a 6-bit A/D converter, two 12-bit and fourteen 8-bit PWM static DACs, one 12-bit and three 8-bit PWM dynamic DACs, a sync processor, an I²C port, a DDC port, a watchdog timer, and glue logic specially designed for monitor applications.

The W78C354 is suitable for monitors applying VESA DDC1/DDC2B/DDC2B+. This product's high level of integration and the availability of a one-time programmable (OTP) flash PROM version (the W78E354) help to reduce unit costs, development costs, and development time.

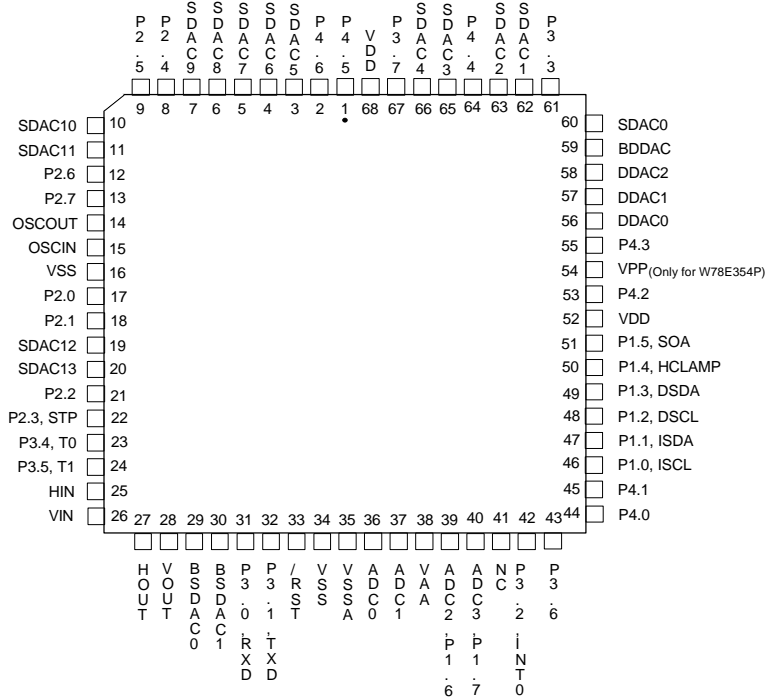
FEATURES

- 80C32 MCU core included
- 20 MHz maximum operating frequency
- 16 KB ROM for program storage
- 512 bytes of on-chip data RAM:
 - Lower 256 bytes accessed as in the 80C32
 - Higher 256 bytes accessed as an external data memory via "MOVX @Ri".
- One SPI/RS232 port (80C32 standard serial port)
- One external interrupt input
- Two timers/counters
- One 8-bit auto-reload timer for software time base
- PWM DACs:
 - Two 12-bit PWM/BRM static DACs
 - Fourteen 8-bit PWM static DACs
 - One 12-bit PWM/BRM dynamic DAC
 - Three 8-bit PWM dynamic DACs
- One 6-bit ADC with 4 multiplexed analog inputs
- Sync processor:
 - Horizontal & vertical polarity detector
 - Sync separator for composite sync
 - Horizontal & vertical frequency counter
 - Programmable dummy frequency generator
 - Programmable H-clamp pulse output
 - Safe operation area (SOA) output
 - Self-test pattern output
- One software I²C port
- One DDC port (master/slave mode I²C, supports DDC1/DDC2B/DDC2B+)
- Watchdog timer
- Moire cancellation
- Two 15 mA output pins for driving LED
- Power-low reset
- OTP type: W78E354 (16 KB flash PROM)
- Three package types:
 - PLCC68 (W78C/E354P), DIP48 (W78C/E354E), DIP40 (W78C/E354)

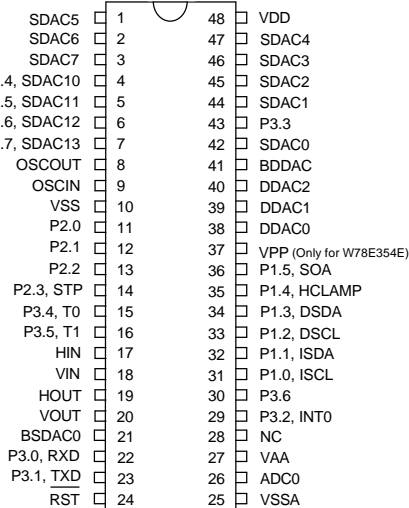


PIN CONFIGURATIONS

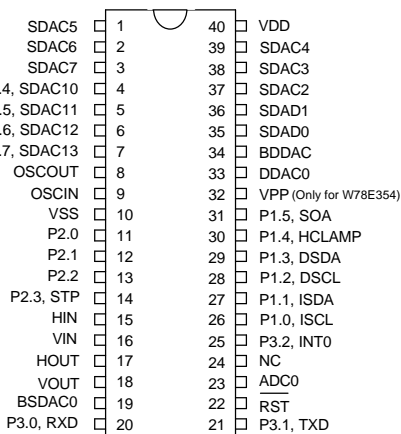
W78C/E354P (PLCC68)



W78C/E354E (DIP48)



W78C/E354 (DIP40)



PIN ARRANGEMENT REFERENCE TABLE

DIP-40	DIP-48	PLCC-68	PIN NAME	DIP-40	DIP-48	PLCC-68	PIN NAME
22	24	33	$\overline{\text{RST}}$	-	-	37	ADC1
15	17	25	HIN	-	-	39	ADC2(P1.6)
16	18	26	VIN	-	-	40	ADC3(P1.7)
17	19	27	HOUT	-	27	38	VAA
18	20	28	VOUT	-	25	35	VSSA
35	42	60	SDAC0	11	11	17	P2.0
36	44	62	SDAC1	12	12	18	P2.1
37	45	63	SDAC2	13	13	21	P2.2
38	46	65	SDAC3	14	14	22	P2.3 (STP)
39	47	66	SDAC4	4	4	8	P2.4 (SDAC10)
1	1	3	SDAC5	5	5	9	P2.5 (SDAC11)
2	2	4	SDAC6	6	6	12	P2.6 (SDAC12)
3	3	5	SDAC7	7	7	13	P2.7 (SDAC13)
-	-	6	SDAC8	20	22	31	P3.0 (RXD)
-	-	7	SDAC9	21	23	32	P3.1 (TXD)
-	-	10	SDAC10	25	29	42	P3.2 (INT0)
-	-	11	SDAC11	-	43	61	P3.3
-	-	19	SDAC12	-	15	23	P3.4 (T0)
-	-	20	SDAC13	-	16	24	P3.5 (T1)
19	21	29	BSDAC0	-	30	43	P3.6
-	-	30	BSDAC1	-	-	67	P3.7
40	48	68	V _{DD}	-	-	44	P4.0
10	10	16	V _{SS}	-	-	45	P4.1
34	41	59	BDDAC	-	-	53	P4.2
33	38	56	DDAC0	-	-	55	P4.3
-	39	57	DDAC1	-	-	64	P4.4
-	40	58	DDAC2	-	-	1	P4.5
26	31	46	P1.0 (ISCL)	-	-	2	P4.6
27	32	47	P1.1 (ISDA)	24	28	41	NC
28	33	48	P1.2 (DSCL)	32	37	54	V _{PP}
29	34	49	P1.3 (DSDA)	-	-	52	V _{DD}
30	35	50	P1.4 (HCLAMP)	-	-	34	V _{SS}
31	36	51	P1.5 (SOA)	8	8	14	OSCOU
23	26	36	ADC0	9	9	15	OSCIN

PIN DESCRIPTION

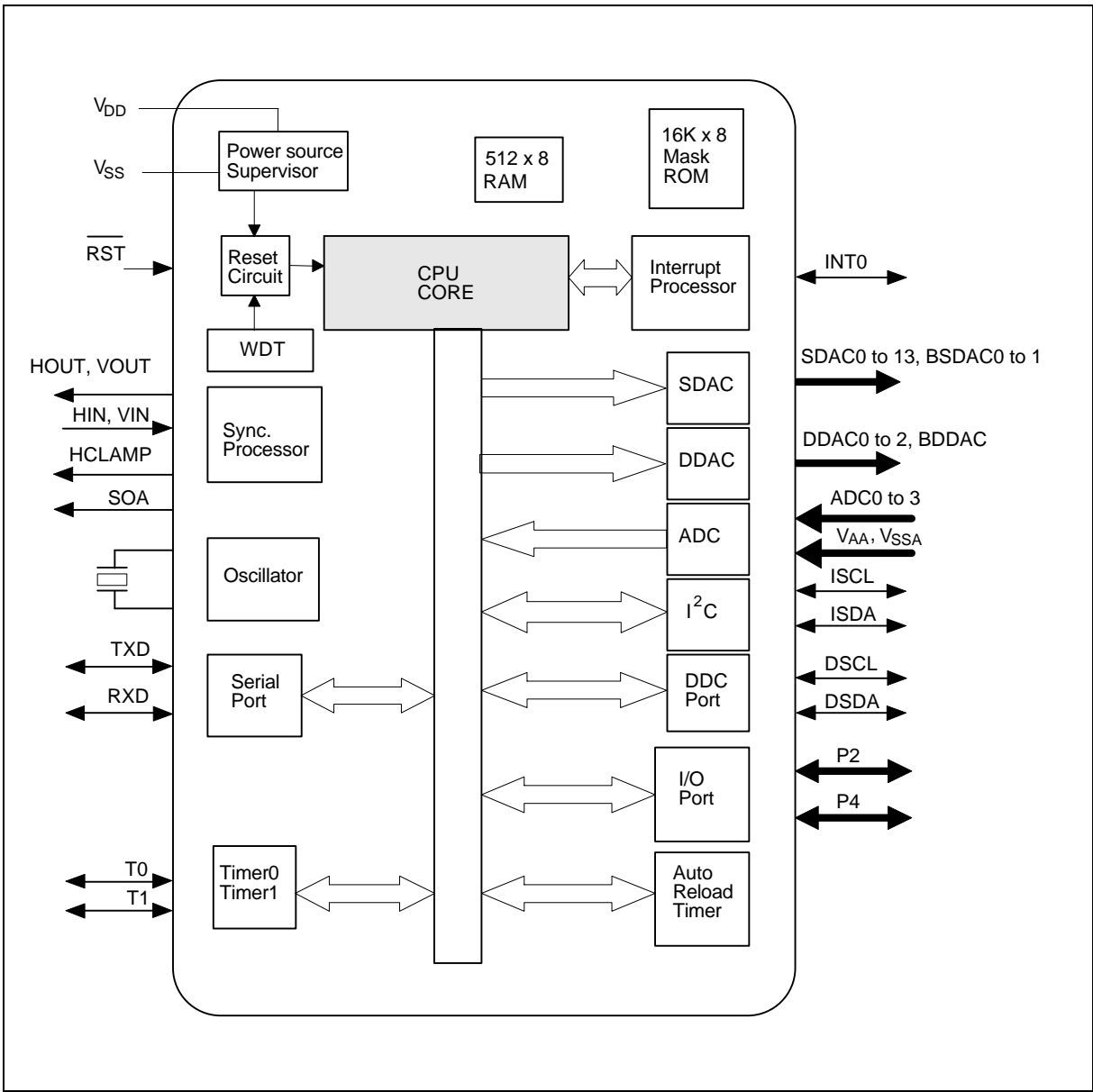
PIN NAME	I/O TYPE	FUNCTION
SDAC0-7	O	8-bit PWM static DAC output. Sink/source current 4 mA/-4 mA.
SDAC8-13	O	8-bit PWM static DAC output. Sink/source current 4 mA/-4 mA.
BSDAC0-1	O	12-bit PWM/BRM static DAC output. Sink/source current 8 mA/-8 mA.
DDAC0-2	O	8-bit PWM dynamic DAC output. Sink/source current 8 mA/-8 mA.
BDDAC	O	12-bit PWM/BRM dynamic DAC output. Sink/source current 8 mA/-8 mA.
ADC0 ADC1 ADC2 (P1.6) ADC3 (P1.7)	I	Analog signal input channel to AD converter. Alternate function: ADC2: P1.6 input (input only). ADC3: P1.7 input (input only).
P1.0-P1.1	I/O	General purpose I/O. Open-drain, Sink current 2 mA.
P1.2 (DSCL) P1.3 (DSDA)	I/O	General purpose I/O. Open-drain, Sink current 6 mA. Alternate function: P1.2: DDC port serial clock DSCL. P1.3: DDC port serial data DSDA.
P1.4 (HCLAMP)	I/O	General purpose I/O. Sink/source current 4 mA/-100 μ A. Alternate function: P1.4: HCLAMP (H-clamp pulse) output. While outputting special function, P1.4 sink/source current is 4 mA/-4 mA.
P1.5 (SOA)	I/O	General purpose O/P. Sink/source current 4 mA/-4 mA. Alternate function: P1.5: SOA (safe operation area) output.
P2.0-P2.1	I/O	General purpose I/O. Sink/source current 15 mA/-100 μ A.



Pin Description, continued

PIN NAME	I/O TYPE	FUNCTION
P2.2 P2.3 (STP) P2.4 (SDAC10) P2.5 (SDAC11) P2.6 (SDAC12) P2.7 (SDAC13)	I/O	General purpose I/O. Sink/source current 4 mA/-100 μ A. Alternate function: P2.3: STP (Self-Test Pattern) output. P2.4–P2.7: SDAC10–13 outputs. While outputting special function, P2.3–P2.7 sink/source current is 4 mA/-4 mA.
P3.0 (RXD) P3.1 (TXD) P3.2 (INT0) P3.3 P3.4 (T0) P3.5 (T1) P3.6 P3.7	I/O	General purpose I/O. Sink/Source current 2 mA/-100 μ A. Alternate function: P3.0: Serial input port. P3.1: Serial output port. P3.2: External interrupt input. P3.4, P3.5: Timer/counter 0, 1 external inputs.
P4.0–P4.6	O	Output port. Sink/source current 2 mA/-2 mA.
HIN VIN	I	HIN: Hsync/composite sync input. VIN: Vsync input. Schmitt trigger input pin.
HOUT VOUT	O	HOUT: Hsync output. VOUT: Vsync output. Sink/source current 4 mA/-4 mA.
$\overline{\text{RST}}$	I	Reset the controller (active low). Schmitt trigger input pin.
OSCOU	O	Output from inverting oscillator amplifier.
OSCIN	I	Input to inverting oscillator amplifier.
VPP	I	High voltage supply input for flash PROM.
VDD	I	Positive power supply for digital circuit, +5V.
VSS	I	Digital ground.
VAA	I	Positive power supply for analog circuit, +5V.
VSSA	I	Analog ground.

BLOCK DIAGRAM





FUNCTIONAL DESCRIPTION

The W78C354's core architecture consists of an 80C32 MCU surrounded by various special function registers, or SFRs (some of these are 80C32 standard registers, while others are newly added; see Table 1), three general purpose I/O ports (P1, P2, and P3), one output-only port (P4), 256 bytes of scratchpad RAM, two timer/counters (Timer0 and Timer1) and one 80C32 standard serial port. The processor supports 109 different instructions (without "MOVX A, @DPTR" and "MOVX @DPTR, A"), which are all compatible with the 80C32 family instruction set.

There are two major differences between the W78C354 and 80C32. First, the W78C354 cannot access an external program or data memory. This function is unnecessary, because the W78C354's 16 KB of internal ROM and 512 bytes of on-chip RAM should be enough for most monitor applications. Second, the W78C354 has a number of new SFRs (see Table 2), which provide more powerful functions.

Table 1. W78C354 special function registers (SFRs)

F8									FF
F0	+ B								F7
E8									EF
E0	+ ACC								E7
D8	+ S1CON	S1STA	S1DAT	S1ADR					DF
D0	+ PSW								D7
C8	+ CONTREG4								CF
C0									C7
B8	+ IP	SBRM0	SBRM1	PORT4	SOAREG	SOACLR			BF
B0	+ P3	ADC	INTVECT	STATUS	HFCOUNTL	HFCOUNTH	VFCOUNTL	VFCOUNTH	B7
A8	+ IE	SDAC7	SDAC8	SDAC9	SDAC10	SDAC11	SDAC12	SDAC13	AF
A0	+ P2	SDAC0	SDAC1	SDAC2	SDAC3	SDAC4	SDAC5	SDAC6	A7
98	+ SCON	SBUF	BSDAC0	BSDAC1	WDTCLR	DDAC0	DDAC1	DDAC2	9F
90	+ P1	AUTOLOAD	DHREG	DVREG	DDC1	INTMSK	BDDAC	DBRM	97
88	+ TCON	TMOD	TL0	TL1	TH0	TH1	PARAL	PARAH	8F
80	+ CONTREG1	SP	DPL	DPH	CONTREG5	CONTREG2		PCON	87

Notes:

1. SFRs with a "+" are both byte and bit-addressable.
2. The registers in the shaded region are newly added to the 80C32.

A. Memory Address Space

The W78C354 operates in three separate address spaces:

- (1) The first (Figure 1-1) is the 16 KB internal program space (0000H–3FFFH).
- (2) The second (Figure 1-2) is the data memory space, which is 256 bytes in size (0000H–00FFH).
The data memory is integrated inside the chip rather than outside the chip, as in a standard 80C32. This data memory space must be accessed by the "MOVX @Ri" instruction.
- (3) The third (Figure 1-3) is the same as in the standard 80C32.

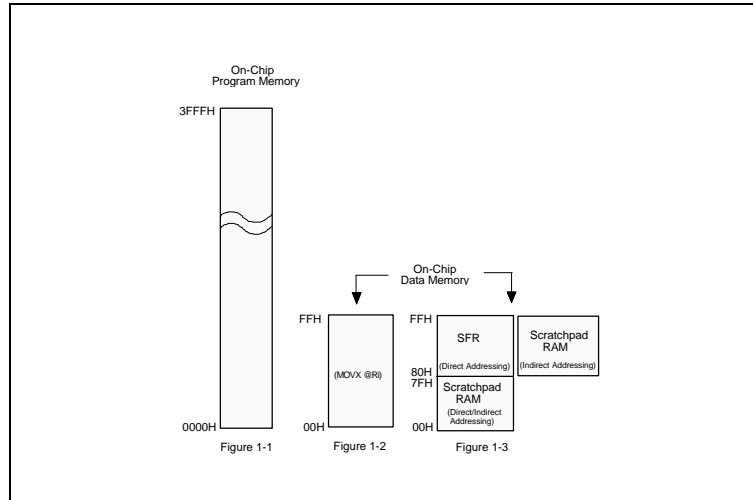


Figure 1. Memory address space

B. Modified 80C32 SFRs

1. Timer/Counter Control Register (TCON):

BIT	NAME	FUNCTION
TCON.7	TF1	Timer 1 overflow flag. Set by hardware on timer/counter overflow. Cleared by hardware when processor vectors to interrupt routine.
TCON.6	TR1	Timer 1 run control bit. Set/cleared by software to turn timer/counter on or off.
TCON.5	TF0	Timer 0 overflow flag. Set by hardware on timer/counter overflow. Cleared by hardware when processor vectors to interrupt routine.
TCON.4	TR0	Timer 0 run control bit. Set/cleared by software to turn timer/counter on or off.
TCON.3	-	Reserved
TCON.2	-	Reserved
TCON.1	IE0	Interrupt 0 edge flag. Set by hardware when external interrupt edge detected. Cleared by hardware when interrupt processed.
TCON.0	IT0	Interrupt 0 type control bit. Set/cleared by software to specify falling edge/low level triggered external interrupt.

Note: The registers in the shaded region are modified from the 80C32 SFRs.



2. Power Control Register (PCON):

NAME	FUNCTION
SMOD	Double baud rate bit.
-	Reserved
-	Reserved
-	Reserved
GF1	General-purpose flag bit.
GF0	General-purpose flag bit.
-	Reserved
IDL	Idle mode bit.

Notes:

1. The SFR is not bit-addressable.
2. The registers in the shaded region are modified from the 80C32 SFRs.

3. Interrupt Enable Register (IE):

BIT	NAME	FUNCTION
IE.7	EA	If EA = 0, no interrupt will be acknowledged (disable all interrupts). If EA = 1, each interrupt source is individually enabled or disabled by setting or clearing its enable bit.
IE.6	-	(Reserved)
IE.5	*1	Set/clear to enable/disable the DDC port's I²C interrupt.
IE.4	ES	Set/clear to enable/disable the serial port 0 interrupt.
IE.3	ET1	Set/clear to enable/disable the Timer 1 overflow interrupt.
IE.2	*1	Set/clear to enable/disable the *2 interrupt.
IE.1	ET0	Set/clear to enable/disable the Timer 0 overflow interrupt.
IE.0	EX0	Set/clear to enable/disable the external interrupt 0.

Notes:

- *1. No name for ASSEMBLER, must be used via "IE.x".
- *2. DSCLINT+ADCINT+TIMEOUT+SOAINT+VEVENT+PARAINT +DDC1INT.

4. Interrupt Priority Register (IP)

BIT	NAME	FUNCTION
IP.7	-	(Reserved)
IP.6	-	(Reserved)
IP.5	*1	Define the DDC port's I ² C interrupt priority level. If IP.5 = 1, the priority level is higher.
IP.4	PS	Define the serial port interrupt priority level. If PS = 1, the priority level is higher.
IP.3	PT1	Define the Timer 1 interrupt priority level. If PT1 = 1, the priority level is higher.
IP.2	*1	Define the *2 priority level. If IP.2 = 1, the priority level is higher.
IP.1	PT0	Define the Timer 0 interrupt priority level. If PT0 = 1, the priority level is higher.
IP.0	PX0	Define the external interrupt 0 priority level. If PX0 = 1, the priority level is higher.

Notes:

*1. No name for ASSEMBLER, must be used via "IP.x".

*2. DSCLINT+ADCINT+TIMEOUT+SOAINT+VEVENT+PARAINT+DDC1INT.

C. Newly Added Special Function Registers

In addition to the 80C32 SFRs, the W78C354 has forty-nine new SFRs in the SFR address space, as listed in Table 2.

Table 2. New special function registers

	REGISTER	ADDRESS	FUNCTION	LENGTH	R/W TYPE	RESET CONTENT
1	CONTREG1	80H	Control register 1, bit-addressable	8	R/W	00H
2	CONTREG5	84H	Control register 5	8	R/W	00H
3	CONTREG2	85H	Control register 2	8	W	00H
4	PARAL	8EH	Parabola interrupt generator low byte register	8	W	00H
5	PARAH	8FH	Parabola interrupt generator high byte register	8	W	00H
6	AUTOLOAD	91H	8-bit auto-reload timer register	8	W	00H
7	DHREG	92H	Dummy Hsync frequency generator register	4	W	00H
8	DVREG	93H	Dummy Vsync frequency generator register	8	W	00H
9	DDC1	94H	DDC port's DDC1 data buffer	8	W	00H
10	INTMSK	95H	Interrupt mask register	8	W	00H
11	BDDAC	96H	8-bit PWM register for 12-bit PWM/BRM dynamic DAC	8	W	00H
12	DBRM	97H	4-bit BRM register for 12-bit PWM/BRM dynamic DAC	4	W	00H



Table 2. New special function registers, continued

	REGISTER	ADDRESS	FUNCTION	LENGTH	R/W TYPE	RESET CONTENT
13	BSDAC0	9AH	8-bit PWM register for 12-bit PWM/BRM Static DAC0	8	W	00H
14	BSDAC1	9BH	8-bit PWM register for 12-bit PWM/BRM Static DAC1	8	W	00H
15	WDTCLR	9CH	Watch-dog timer clear register	-	W	-
16	DDAC0	9DH	8-bit PWM dynamic DAC0 register	8	W	00H
17	DDAC1	9EH	8-bit PWM dynamic DAC1 register	8	W	00H
18	DDAC2	9FH	8-bit PWM dynamic DAC2 register	8	W	00H
19	SDAC0	A1H	8-bit PWM static DAC0 register	8	W	00H
20	SDAC1	A2H	8-bit PWM static DAC1 register	8	W	00H
21	SDAC2	A3H	8-bit PWM static DAC2 register	8	W	00H
22	SDAC3	A4H	8-bit PWM static DAC3 register	8	W	00H
23	SDAC4	A5H	8-bit PWM static DAC4 register	8	W	00H
24	SDAC5	A6H	8-bit PWM static DAC5 register	8	W	00H
25	SDAC6	A7H	8-bit PWM static DAC6 register	8	W	00H
26	SDAC7	A9H	8-bit PWM static DAC7 register	8	W	00H
27	SDAC8	AAH	8-bit PWM static DAC8 register	8	W	00H
28	SDAC9	ABH	8-bit PWM static DAC9 register	8	W	00H
29	SDAC10	ACH	8-bit PWM static DAC10 register	8	W	00H
30	SDAC11	ADH	8-bit PWM static DAC11 register	8	W	00H
31	SDAC12	AEH	8-bit PWM static DAC12 register	8	W	00H
32	SDAC13	AFH	8-bit PWM static DAC13 register	8	W	00H
33	ADC	B1H	6-bit ADC result register	8	R	00H
34	INTVECT	B2H	Interrupt vector register	8	R/W	00H
35	STATUS	B3H	Status register	4	R	00H
36	HFCOUNTL	B4H	Horizontal frequency counter low byte register	8	R	00H
37	HFCOUNTH	B5H	Horizontal frequency counter high byte register	8	R	00H
38	VFCOUNTL	B6H	Vertical frequency counter low byte register	8	R	00H
39	VFCOUNTH	B7H	Vertical frequency counter high byte register	8	R	00H
40	SBRM0	B9H	4-bit BRM register for 12-bit PWM/BRM Static DAC0	4	W	00H
41	SBRM1	BAH	4-bit BRM register for 12-bit PWM/BRM Static DAC1	4	W	00H
42	PORT4	BBH	Output latch register	7	W	00H
43	SOAREG	BCH	Safe operation area register	8	W	00H
44	SOACLR	BDH	Safe operation area clear register	-	W	-
45	CONTREG4	C8H	Control register 4	8	R/W	00H
46	S1CON	D8H	SIO1 port control register	8	R/W	00H
47	S1STA	D9H	SIO1 port status register	8	R	F8H
48	S1DAT	DAH	SIO1 port data register	8	R/W	00H
49	S1ADR	DBH	SIO1 port address register	8	R/W	00H

Notes:

1. "-" means the SFR has no real hardware but only an address.
2. Three SFRs (CONTREG1, CONTREG4, SICON) can be accessed by bit addressing.

D. Status and Control Register Overview

1. STATUS: Status Register

BIT	NAME	FUNCTION
0	HP	Hsync polarity. 0: Positive, 1: Negative.
1	VP	Vsync polarity. 0: Positive, 1: Negative.
2	NOH	Set by hardware if no Hsync.
3	NOV	Set by hardware if no Vsync.

2. CONTREG1: Control Register1, Bit-addressable

BIT	NAME	FUNCTION
0	ADCS0	ADC channel select bit 0.
1	ADCS1	ADC channel select bit 1.
2	ENDDC1	Enable/Disable DDC1 mode. 0: Disable DDC1 mode; the pin P1.3/DSDA is accessed data in the DDC2B/2B+ mode. 1: Enable DDC1 mode ; the pin P1.3/DSDA is output data in the DDC1 mode.
3	HCES	H-Clamp Edge Select. 0: Pin P1.4 will output H-clamp pulse, if the leading edge of Hsync occurs. 1: Pin P1.4 will output H-clamp pulse, if the trailing edge of Hsync occurs.
4	HCWS0	H-Clamp Width Select bit 0.
5	HCWS1	H-Clamp Width Select bit 1.
6	DUMMYEN	Enable/Disable dummy frequency generator. 0: Disable, 1: Enable.
7	ADCSTRT	Start ADC conversion. 0: Stop, 1: Start.

3. CONTREG2: Control Register2

BIT	NAME	FUNCTION
0	ENVS	Enable/Disable Vsync Separator. 0: Disable, 1: Enable.
1	HSPS	Hout Sync Polarity Select. 0: Positive, 1: Negative.
2	VSPS	Vout Sync Polarity Select. 0: Positive, 1: Negative.
3	-	Reserved.



3. CONTREG2: Control Register2, continued

BIT	NAME	FUNCTION
4	EINTES	External INT Edge Select. 0: High-level/rising-edge triggered. 1: Low-level/falling-edge triggered.
5	ENM0	Enable/Disable SDAC0 morie cancel function. 0: Disable, 1: Enable.
6	ENM1	Enable/Disable SDAC1 morie cancel function. 0: Disable, 1: Enable.
7	VDISHC	Disable H-Clamp pulse at the Vsync pulse period. In initial state, it enables the H-Clamp output. 0: Enable, 1: Disable.

4. CONTREG4: Control Register4, Bit-addressable

BIT	NAME	FUNCTION
0	P24SF	Enable/Disable Port 2.4 Special Function. P24SF = 0: General I/O pin. P24SF = 1 and P2.4 = 0: SDAC10 output.
1	P25SF	Enable/Disable Port 2.5 Special Function. P25SF = 0: General I/O pin. P25SF = 1 and P2.5 = 0: SDAC11 output.
2	P26SF	Enable/Disable Port 2.6 Special Function. P26SF = 0: General I/O pin. P26SF = 1 and P2.6 = 0: SDAC12 output.
3	P27SF	Enable/Disable Port 2.7 Special Function. P27SF = 0: General I/O pin. P27SF = 1 and P2.7 = 0: SDAC13 output.
4	P14SF	Enable/Disable Port 1.4 Special Function. P14SF = 0: General I/O pin. P14SF = 1 and P1.4 = 0: H-Clamp output.
5	P15SF	Enable/Disable Port 1.5 Special Function. P15SF = 0: General I/O pin. P15SF = 1 and P1.5 = 0: SOA output.
6	P23SF	Enable/Disable Port 2.3 Special Function. P23SF = 0: General I/O pin. P23SF = 1 and P2.3 = 0: STP output.
7	INVSTP	Invert Self-Test Pattern.

Note: To let the Px.y output special function, set PxySF and clear Px.y.



5. CONTREG5: Control Register5

BIT	NAME	FUNCTION
0	-	Reserved.
1	-	Reserved.
2	-	Reserved.
3	-	Reserved.
4	-	Reserved.
5	HDSEL	HCLAMP Source SElect.
6	DPARAIN	Enable parabola interrupt with dummy signal. DPARAIN = 0; V dummy signal will generate VEVENT interrupt. DPARAIN = 1; V dummy signal will not generate VEVENT interrupt.
7	-	Reserved.

E. I/O Port

The I/O ports available in the W78C354 vary with the package, as shown in the table below:

I/O PORT	68-PIN PLCC	48-PIN DIP	40-PIN DIP
Port 1	6 bits	6 bits	6 bits
Port 2	8 bits	8 bits	8 bits
Port 3	8 bits	7 bits	3 bits
Port 4	7 bits	N.A.	N.A.

P1, P2, and P3 are the SFR latches of ports 1, 2, and 3, respectively. Writing a "1" to a bit of a port SFR (P1, P2, or P3) causes the corresponding port output pin to switch to high. Writing a "0" causes the port output pin to switch to low. When a port is used as an input, the external state of the port pin will be read into the port SFR (i.e., if the external state is low, the corresponding SFR bit will contain a "0"; if it is high, the bit will contain a "1"). The block diagrams and control registers are shown below.

E-1 Port 1

Besides general purpose I/O functions, port 1 provides the functions shown in the following table.

PINS	SPECIAL FUNCTION	SPECIAL FUNCTION CONTROL BIT	DESCRIPTION
P1.0	ISCL	-	s/w I ² C SCL pin
P1.1	ISDA	-	s/w I ² C SDA pin
P1.2	DSCL	-	DDC port's SCL pin
P1.3	DSDA	-	DDC port's SDA pin
P1.4	HCLAMP	P14SF	H-clamp pulse output
P1.5	SOA	P15SF	SOA output

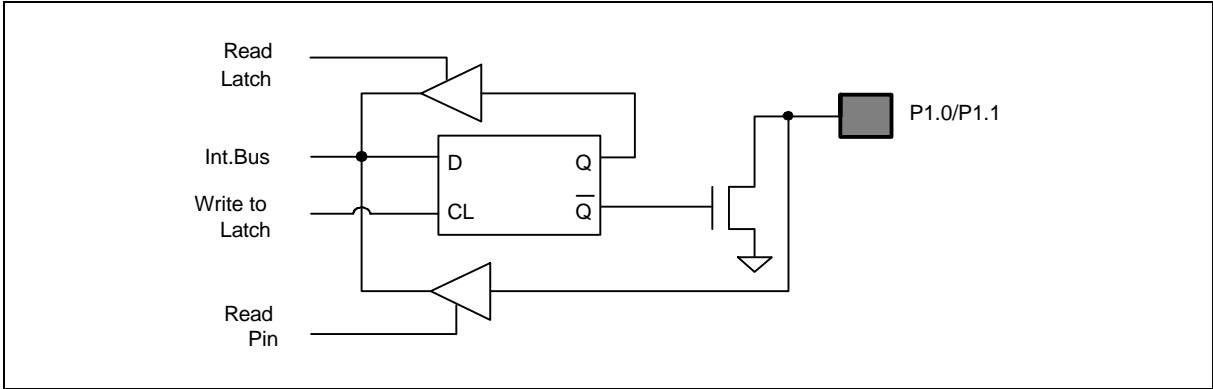


Figure 2-1. P1.0/P1.1 architecture

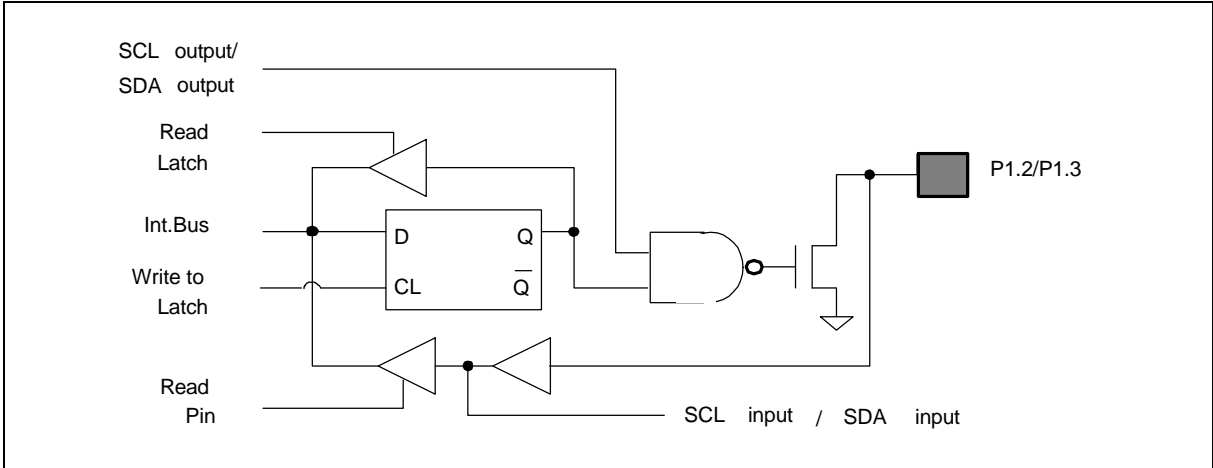


Figure 2-2. P1.2/P1.3 architecture

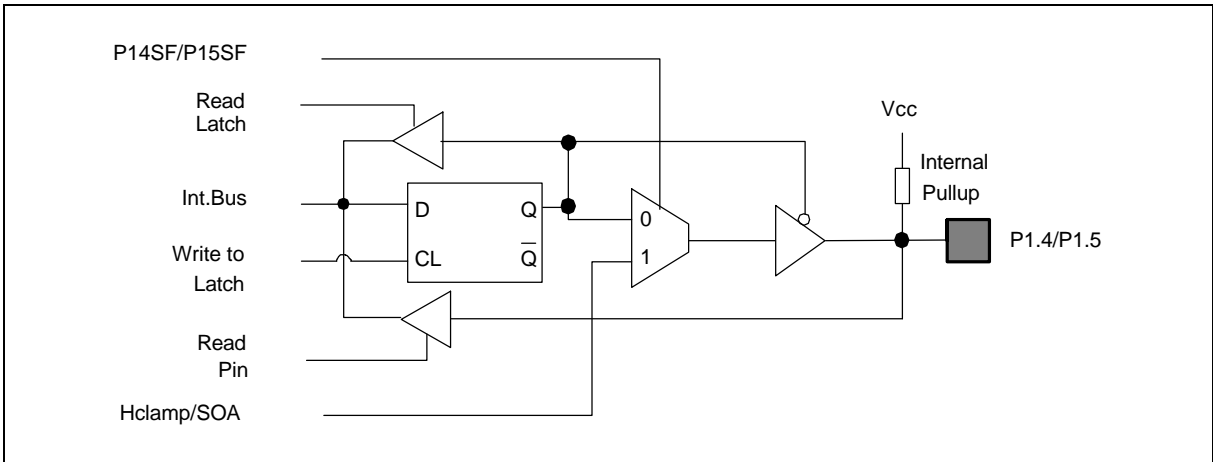


Figure 2-3. P1.4/P1.5 architecture



To use the alternate function H-clamp pulse (SOA output) of P1.4 (P1.5), bit P14SF (P15SF) of the SFR CONTREG4 must be set to "1" and a "0" must be written to P1.4 (P1.5).

CONDITION OF P14SF	PORT 1.4 I/O PIN FUNCTION	CONDITION OF P14SF	PORT 1.5 I/O PIN FUNCTION
P14SF = 0	General I/O pin	P15SF = 0	General output pin
P14SF = 1 & P1.4 = 0	Hclamp pulse output	P15SF = 1 & P1.5 = 0	SOA output

E-2 Port 2

Port 2.0–2.2 are used for general purpose I/O functions only, whereas 2.3–2.7 have alternate functions, as shown below. In the 40-pin and 48-pin DIP packages, SDAC10–13 have no dedicated output pins, but share pins with P2.4–P2.7. Each pin can be used as an I/O or SDAC output pin by bit-addressing SFR CONTREG4. When a pin is used for a special function, the output source current is 4 mA. Otherwise, the source current is 100 μ A.

PINS	SPECIAL FUNCTION	SPECIAL FUNCTION CONTROL BIT	DESCRIPTION
P2.0	-	-	-
P2.1	-	-	-
P2.2	-	-	-
P2.3	STP	P23SF	Self -test pattern output
P2.4	SDAC10	P24SF	SDAC10 PWM output
P2.5	SDAC11	P25SF	SDAC11 PWM output
P2.6	SDAC12	P26SF	SDAC12 PWM output
P2.7	SDAC13	P27SF	SDAC13 PWM output

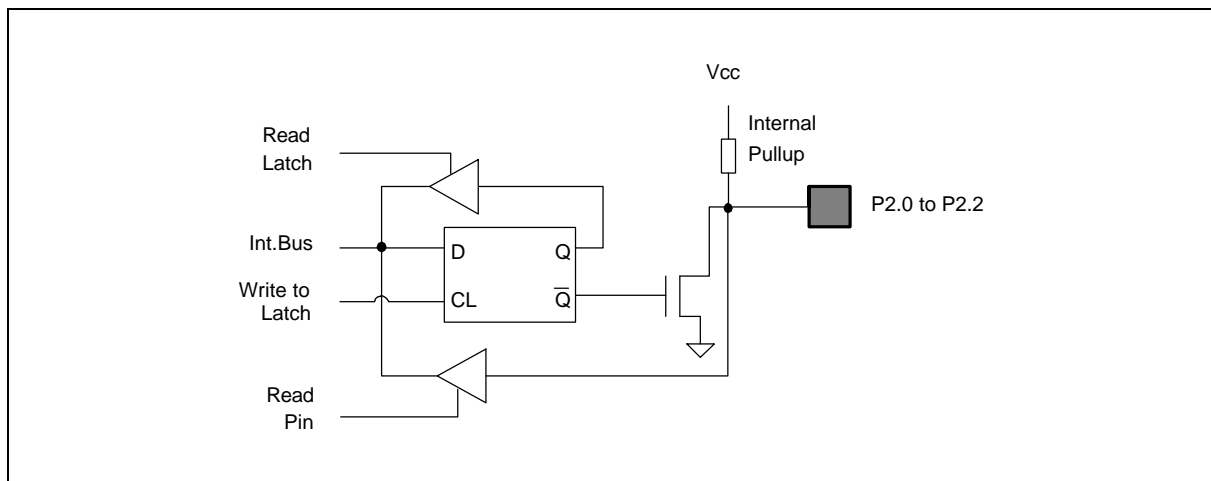


Figure 3-1. P2.0 to P2.2 architecture

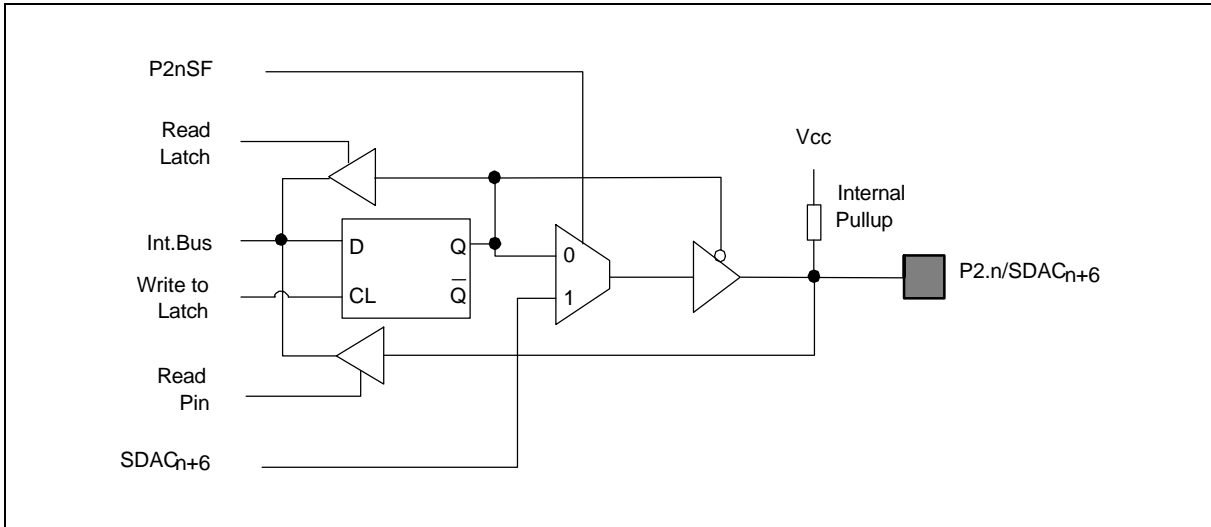


Figure 3-2. P2.4 to P2.7 architecture (where n = 4-7)

E-3 Port 3

The architecture of Port 3 is similar to that of P2.0. There are no special function control bits for these bits; the output latch of the bits must be set to high to enable the special functions.

PINS	SPECIAL FUNCTION	DESCRIPTION
P3.0	SPID/RXD	If serial port is in mode 0, the pin works as the data line of the SPI port. If serial port is in mode 1, 2, or 3, the pin works as the RXD of the 80C32 standard.
P3.1	SPIC/TXD	If serial port is in mode 0, the pin works as the clock line of the SPI port. If serial port is in mode 1, 2, or 3, the pin works as the TXD of the 80C32 standard.
P3.2	INT0	External Interrupt input
P3.3	-	
P3.4	T0	Counter/Timer 0 input
P3.5	T1	Counter/Timer 1 input
P3.6	-	
P3.7	-	

E-4 Port 4

Port 4 is an output port. The W78C354 can write data to this port using SFR PORT4.

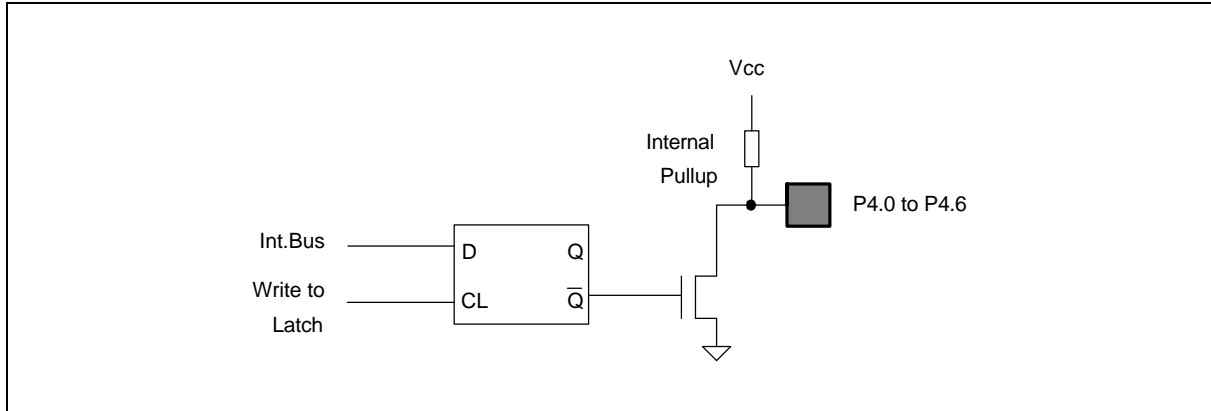


Figure 4-1. Port 4 architecture

F. SPI (Synchronous Peripheral Interface) and RS232 Port

- P3.0 (RXD) and P3.1 (TXD) can be used as an SPI port (serial port mode 0 on the standard 80C32) or an RS232 port (serial port mode 1, 2, or 3 on the standard 80C32).
- The SPI port can be used to communicate with an OSD chip, DAC, and so on.
- The RS232 port can be used to communicate with an auto-alignment system, by using a 18.432 MHz crystal. Maximum baud rate is 19200 bps.

G. DDC Port (Display Data Channel Port)

The DDC port is composed of the SIO1 and DDC1 ports, and the SIO1 port shares the DSDA pin with the DDC1 port (as shown in Figure 5). The DDC port is designed to support DDC1, DDC2B, and DDC2B+ applications.

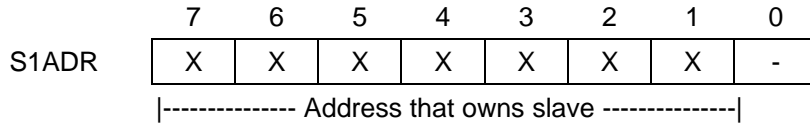
G-1 SIO1 Port

SIO1 is an I²C serial I/O port. SIO1 provides a serial interface that meets the I²C bus specification and supports all transfer modes from and to the I²C bus. The SIO1 port handles byte transfers autonomously.

The W78C354 interfaces to the SIO1 port through the following four special function registers: S1CON (SIO1 control register), S1STA (SIO1 status register), S1DAT (SIO1 data register), and S1ADR (SIO1 address register). The SIO1 port interfaces to the DDC I²C bus via two pins: P1.2 / DSCL (DDC I²C serial clock line) and P1.3/DSDA (DDC I²C serial data line). The output latches of P1.2 and P1.3 must be set to "1" in order to enable the SIO1 port. For more detailed information, refer to the description of the Philips I²C bus.

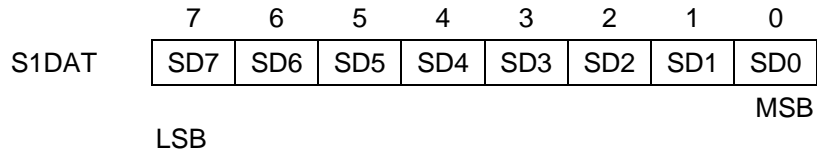
G-1.1 S1ADR (SIO1 Address Register) (DAH)

The W78C354 can read from and write to this 8-bit newly added SFR S1ADR. When the the SIO1 port is in a master mode, the content of this register is irrelevant. In slave mode, the seven most significant bits must be loaded with the address that owns the slave.



G-1.2 S1DAT (SIO1 Data Register) (DBH)

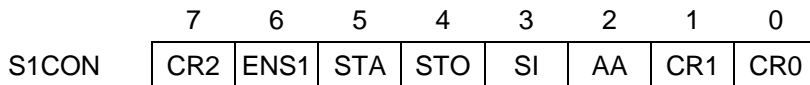
This register contains a byte of serial data that is waiting to be transmitted or has just been received. When the W78C354 is not performing a shifting operation, data can be read from or written to SFR S1DAT. Data in the S1DAT remain stable as long as SI is set. Data in the S1DAT are shifted from the most significant bit to the least significant bit, and while data are being shifted out, data on the bus are simultaneously being shifted in. S1DAT always contains the last data byte present on the bus. Thus, if arbitration is lost, the transition from master transmitter to slave receiver is made with the correct data in S1DAT.



Eight bits of data in the S1DAT are shifted out or in, followed by an acknowledge bit. The acknowledge (ACK) bit is controlled by the SIO1 port hardware and cannot be accessed by the W78C354. Serial data are shifted through the ACK flag into S1DAT on the rising edges of the serial clock pulses on the SCL line and are shifted out from the S1DAT on the falling edges of the SCL clock pulse. When a byte has been shifted into the S1DAT, the serial data are available in S1DAT, and the acknowledge bit is returned by the control logic during the ninth clock pulse.

G-1.3 S1CON (SIO1 Control Register) (D8H)

The newly added SFR S1CON can be read or written by the programmer. Two bits (SI and STO) are affected by the SIO1 port hardware. When a serial interrupt is requested, the bit SI is automatically set, and when a stop condition is present on the bus, the bit STO is cleared. The bit STO is also cleared when ENS1 = "0."



G-1.4 ENS1 (SIO1 Enable Bit)

When the bit ENS1 is "0," the SDA and SCL outputs are in a high impedance state, the SIO1 port is in the "not addressed" slave mode, and no other bits are affected, except that the bit STO in S1CON is forced to "0." P1.2 and P1.3 may be used as open drain I/O pins.

When ENS1 is "1," SIO1 is enabled. The P1.2 and P1.3 pins must be set to high.



G-1.5 STA (SIO1 Start Flag)

When STA is "1," the SIO1 port will enter the master mode. After the SIO1 port checks the status of the I²C bus, it will generate a start condition if the bus is free. If the bus is not free, the SIO1 port will wait for a stop condition and then generate a start condition after a delay.

If the bit STA is set while SIO1 is already in master mode and one or more bytes are to be transmitted or received, SIO1 will transmit a repeated start condition. The bit STA may also be set when SIO1 is an addressed slave.

When STA is "0," no start condition or repeated start condition will be generated.

G-1.6 STO (SIO1 Stop Flag)

When STO is "1," the SIO1 port is in the master mode and a stop condition is transmitted to the I²C bus. When the stop condition is detected on the bus, the SIO1 port will clear STO. In the slave mode, STO may be set to recover from an error condition. In this case, no stop condition exists the I²C bus, but the SIO1 port behaves as if a stop condition has been received and switches to the defined "not addressed" slave receiver mode. STO is automatically cleared by hardware.

G-1.7 SI (SIO1 Serial Interrupt Flag)

When SI is "1," if the bits EA and ES1 (in the IE register) are also set, then once a serial interrupt is requested, SI will automatically be set by hardware. The only state that does not cause SI to be set is state F8H, which indicates that no relevant state information is available.

When the bit SI is "1," the low period of the serial clock on the SCL pin is extended, and the serial transfer is suspended. SI must be reset by software.

When SI is "0," no serial interrupt is requested, so there is no extension of the serial clock on the SCL pin.

G-1.8 AA (SIO1 Assert Acknowledge Flag)

If AA is "1," an acknowledge signal (low level to the SDA pin) will be generated during the acknowledge clock pulse on the SCL pin when:

- (1) The address owning the slave has been received.
- (2) A data byte has been received while the SIO1 port is in the master receiver mode.
- (3) A data byte has been received while the SIO1 port is in the addressed slave receiver mode.

If the bit AA is "0," a not acknowledge signal (high level to the SDA pin) will be generated during the acknowledge clock pulse on the SCL pin when:

- (1) A data byte has been received while the SIO1 port is in the master receiver mode
- (2) A data byte has been received while the SIO1 port is in the addressed slave receiver mode.

G-1.9 CR0, CR1 and CR2 (SIO1 Clock Rate Bits)

When the SIO1 port is in master mode, these three bits will determine the serial clock frequency (see the table below). These bits are unimportant when SIO1 is in slave mode. In slave mode, the SIO1 port will automatically synchronize with any clock frequency up to 100 KHz on the I²C bus.

Table 3. Serial clock rates

CR2	CR1	CR0	BIT FREQUENCY (KHz) AT THE SCL PIN			FORMULA
			16 MHz	18.432 MHz	20 MHz	
0	0	0	63	72	78	Fosc/256
0	0	1	71	82	89	Fosc/224
0	1	0	83	96	-	Fosc/192
0	1	1	100	-	-	Fosc/160
1	0	0	17	19	20	Fosc/960
1	0	1	-	-	-	Fosc/120
1	1	0	-	-	-	Fosc/60

G-1.10 S1STA (SIO1 Status Register) (D9H)

The newly added SFR S1STA is an 8-bit read-only register. The three least significant bits are always zero. The five most significant bits contain the status code. There are 26 possible status codes. When the S1STA contains F8H, no serial interrupt is requested. All other the S1STA values correspond to defined SIO1 states (refer to the Philips specification for the I²C bus). When each of these states is entered, a status interrupt is requested (SI = 1). A valid status code is present in the S1STA one machine cycle after the bit SI is set by hardware and is still present one machine cycle after the bit SI has been reset by software.

G-2 DDC1 Port

DDC1 is a serial output port that supports DDC1 communication. After the DDC1 control circuit loads the next data byte from the data buffer to the shift register and generates a DDC1INT signal to the CPU, eight data bits and one zero (for the "acknowledge" signal) are shifted out to the DSDA pin sequentially on each rising edge of the VIN signal. In the interrupt service routine, the W78C354 should fetch the next byte of EDID data and write it to SFR DDC1. If the bit ENDDC1 of SFR CONTREG1 is cleared to zero, the shift register is stopped, and the DSDA output is kept high.

- One DDC1 port to support DDC1; ENDDC1 must be set to 1.
- One SIO1 port support DDC2B/2B+; ENDDC1 must be set to 0.

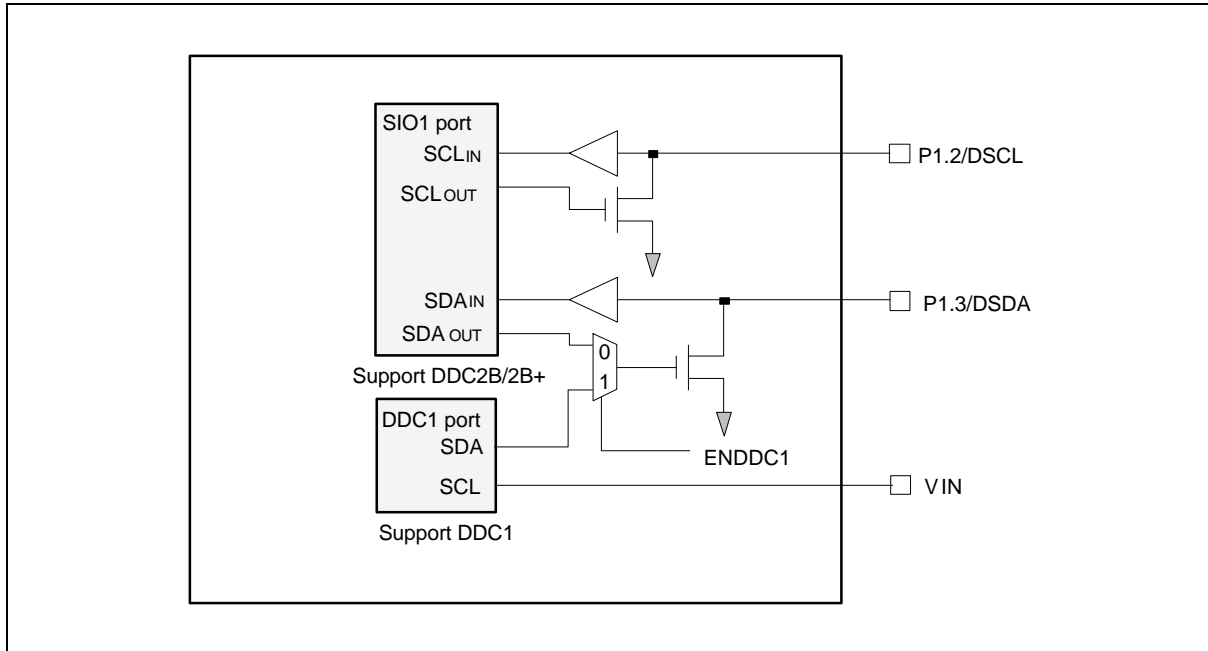


Figure 5. DDC port

H. Interrupts

The W78C354 has six interrupt sources. Five (except $\overline{\text{INT}}1$, at vector address 0013H) are identical to those in the 80C51 series, while the sixth (at vector address 002BH) is newly added. All the interrupt sources and the corresponding interrupt vector addresses for the W78C354 are described in the following table:

SOURCE	VECTOR ADDRESS	DESCRIPTION	PRIORITY
IE0	0003H	External interrupt 0 (same as the 80C31)	Highest
TF0	000BH	Timer 0 overflow interrupt (same as the 80C31)	
*1	0013H	Replaces $\overline{\text{INT}}1$ of the 80C31	
TF1	001BH	Timer 1 overflow interrupt (same as the 80C31)	
RI+TI	0023H	Serial port interrupt (same as the 80C31)	
*2	002BH	New (similar to TF2+EXF2 in the 80C32)	Lowest

Notes:

*1. DSCLINT+ADCINT+TIMEOUT+SOAINT+VEVENT+PARAINT+DDC1INT.

*2. This is the interrupt generated by the I²C in the DDC port.



H-1. Interrupt at Vector Address 0013H

The interrupt at vector address 0013H is driven by another seven different sources, which are a high-to-low transition on the DSCL pin of the DDC port, the A/D converter, the auto-reload timer, the SOA output, Vsync frequency event, the parabola interrupt generator, and DDC1 in the DDC port. These sources are described below.

(1) DSCLINT:

Interrupt generated when DSCL-pin changes from high to low and stays high for 12 clock periods. Once DDCLINT interrupt is received, the programmer should disable DDC1 port by writing "0" to the bit ENDDC1 of SFR CONTREG1.

	16 MHz	18.432 MHz	20 MHz
DSCL low	750 nS	651 nS	600 nS

(2) ADCINT:

Refer to section K for a description of the ADC.

(3) TIMEOUT:

Refer to section I for a description of the auto-reload timer.

(4) SOAINT:

When an SOA condition occurs, SOAINT will interrupt the CPU to perform the necessary operations. Refer to section M-6 for a description of the SOA function.

(5) VEVENT:

When the V retrace signal is detected or the V-frequency counter overflows, which means that the Vsync frequency is so low that it is out of range, the W78C354 will generate the VEVENT interrupt. In the interrupt service routine, the programmer can check bit 3 (NOV) of SFR STATUS to determine whether the V frequency is out of range. If NOV = 1, the software should go to DPMS process. If NOV = 0, the software can read the HFCOUNT and VFCOUNT registers, and the bits HP and VP of STATUS will determine the preset mode of the incoming frequency. Refer to section M for a description of the sync processor.

(6) PARAIN:

The parabola interrupt generator is used to generate interrupts to the W78C354 for loading the parabola waveform data to dynamic DACs. The software should calculate the value of the PARAH and PARAL registers by $(Vcount \times 16) \div$ section number. Refer to section J for a description of the parabola interrupt generator.

(7) DDC1INT:

Refer to section G-2 for a description of the DDC1 operation.

Programmer must read SFR INTVECT (bits 0–6) to determine the source of the interrupt request. These seven interrupt sources can be enabled individually by setting SFR INTMSK (bits 0–6). The newly added interrupt at vector address 002BH is driven by the I²C circuit in the DDC port.

The interrupt enable control bits for the two interrupts at 0013H and 002BH are IE.2 and IE.5 in the IE register, respectively. The interrupt priority control bits are IP.2 and IP.5 in the IP register. The interrupts can be disabled by clearing IE.7 (disable all interrupts). For example, the programmer can enable the A/D converter interrupt by the "MOV INTMSK, #00000010B" instruction. When the

converter is completed, the interrupt will be generated and the bit ADCINT in the INTVECT will automatically be set. To clear the bit ADCINT to receive the next interrupt, the programmer can use the "MOV INTVECT, #00000010B" instruction. See Figure 6.

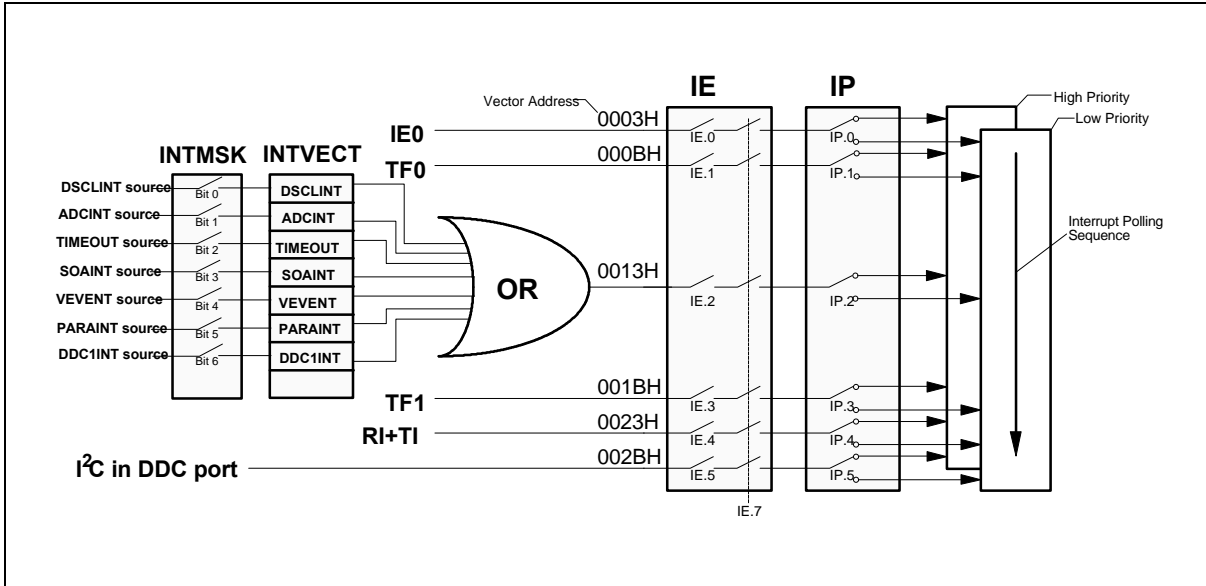


Figure 6. Interrupt block diagram

H-2. Newly Added External Interrupt 0 Function (INT0)

INT0 can be set to be falling-edge or low-level active by setting/clearing the IT0 bit in TCON. If programmers wish to use a rising-edge or high-level signal as interrupt on the pin INT0, INT0 can also be activated by setting/clearing the EINTES bit in SFR CONTREG2 (see Figure 7). In other words, there are four trigger types for INT0 (falling-edge, low-level, rising-edge, and high-level). In the initial state, INT0 will be triggered by a rising-edge or high-level signal.

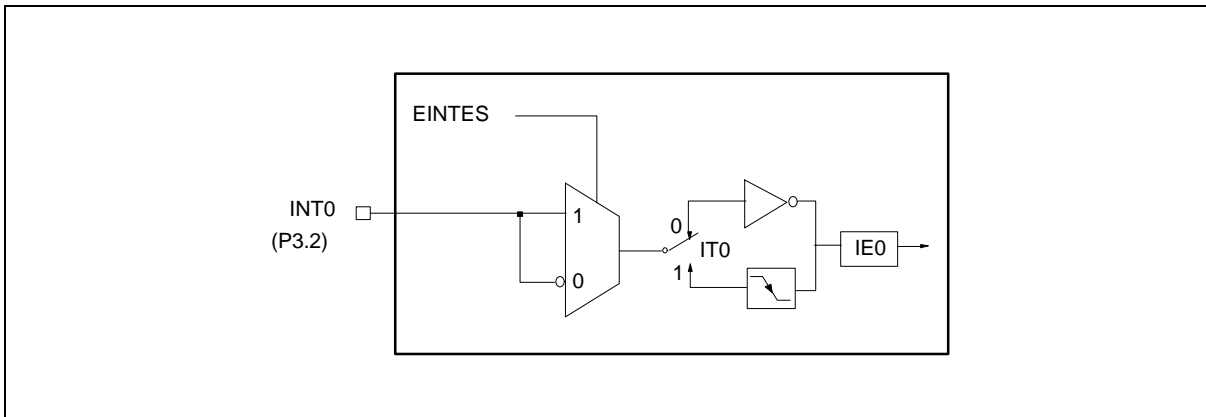


Figure 7. External interrupt 0

**INTVECT: Interrupt Vector Register (B2H)**

BIT	NAME	FUNCTION
0	DSCLINT	Set by hardware when DSCL is toggled low.
1	ADCINT	Set by hardware when ADC conversion is completed.
2	TIMEOUT	Set by hardware when autoloader timer times out.
3	SOAINT	Set by hardware when SOA is high.
4	VEVENT	Set by hardware when Vsync or vertical frequency counter times out.
5	PARAINT	Set by hardware when parabola interrupt generator times out.
6	DDC1INT	Set by hardware when DDC port functions in the DDC1 mode .
7	-	Reserved.

Notes:

- Each of the above interrupt flags will be set by hardware when the corresponding interrupt source is masked by writing a "1" to the the INTMSK register.
- To clear the interrupt flag, write a "1" (not "0") to the corresponding bit.

INTMSK: Interrupt Mask Register (95H)

BIT	NAME	FUNCTION
0	DSCLINT	Enable/Disable DSCLINT interrupt. 0: Disable, 1: Enable.
1	ADCINT	Enable/Disable ADCINT interrupt. 0: Disable, 1: Enable.
2	TIMEOUT	Enable/Disable TIMEOUT interrupt. 0: Disable, 1: Enable.
3	SOAINT	Enable/Disable SOAINT interrupt. 0: Disable, 1: Enable.
4	VEVENT	Enable/Disable VEVENT interrupt. 0: Disable, 1: Enable.
5	PARAINT	Enable/Disable PARAINT interrupt. 0: Disable, 1: Enable.
6	DDC1INT	Enable/Disable DDC1INT interrupt. 0: Disable, 1: Enable.
7	-	Reserved



I. Timer/Counter

The W78C354 has two 16-bit timer/counters, Timer/counter 0 and Timer/counter 1, which are identical with those on the standard 80C32, and one 8-bit auto-reload timer. Once the "MOV AUTOLOAD, #data" instruction is executed, the auto-reload timer will load the specified data and start to count. If the TIMEOUT bit in INTMSK is set, the auto-reload timer will periodically generate an interrupt to the CPU.

The auto-reload timer interval is programmable:

- Minimum timer interval = $1/(F_{CLOCK} \div 1024)$
- Desired timer interval = Minimum interval \times [(preset value of the AUTOLOAD)+1]
- Maximum timer interval = Minimum interval \times 255
- AUTOLOAD: 8-bit auto-reload timer register which stores preset value.

	16 MHz	18.432 MHz	20 MHz
Minimum Interval	64 μ S	55 μ S	51.2 μ S
Maximum Interval	16.3 mS	14.2 mS	13.1 mS

J. Parabola Interrupt Generator

The parabola interrupt generator is a 16-bit binary count-up auto-reload timer that is used to generate the parabola interrupt to the W78C354 for loading parabola waveform data to dynamic DACs. It periodically generates an interrupt by setting the PARAINTR bit in INTMSK, if the "MOV PARAL, #Low byte data" and "MOV PARAH, #High byte data" instructions are executed.

The parabola interrupt generator period is programmable:

Time base = $1/F_{CLOCK}$

- Desired interrupt period = Time base \times {[preset value of the (PARAH, PARAL)]+1}
- Maximum period = Time base \times 65535
- PARAL: Parabola interrupt generator register that stores low byte preset value
- PARAH: Parabola interrupt generator register that stores high byte preset value

K. 6-bit A/D Converter

The 6-bit analog-to-digital converter uses the successive approximation method to convert one of the four analog input channels into a digital data value. The A/D converter resolution is ± 1 LSB, and the conversion time is 100 usec. The result is read from SFR ADC.

Bit-pairs (ADCS1, ADCS2) in SFR CONTREG1 are used to select one of the four channels as the analog input (see Table 3). Conversion is started by setting the bit ADCSTRT in CONTREG1 by software. When the A/D conversion is completed, the ADCSTRT bit is automatically cleared by hardware to stop the A/D converter's operation, and the ADCINT bit in INTVECT is set by hardware at the same time. To enable the A/D converter interrupt, set the ADCINT bit in INTMSK.

Table 4. Select A/D converter channel

(ADCS1, ADCS0)	(0, 0)	(0, 1)	(1, 0)	(1, 1)
Selected channel	ADC0	ADC1	ADC2	ADC3



L. PWM DACs

There are two 12-bit and fourteen 8-bit PWM static DACs and one 12-bit and three 8-bit PWM dynamic DACs on this chip. The number of the PWM outputs is different with the package.

	68-PIN PLCC	48-PIN DIP	40-PIN DIP
8-bit SDAC	14	8 + 4*	8 + 4*
12-bit SDAC	2	1	1
8-bit DDAC	3	3	1
12-bit DDAC	1	1	1

Note : 4* : the SDACs share with P2.4–P2.7

L-1.1 14-channel 8-bit PWM Static DAC

The static DACs (SDAC0 to 13) are used to generate DC voltage control (0 to 5V) by an RC circuit, as shown in Figure 8, and to execute the "MOV SDACn, #Value" instruction. There are 14 registers, corresponding to the 14 channels of 8-bit PWM output. The unused PWM channel can be used as an output pin, since 0 or 5V can be obtained from the pin.

- Duty cycle of the PWM output = Preset value of SDACn \div 255, where n = 0 to 13
- DC voltage after low-pass filter = Vcc \times duty cycle
- SDAC0–SDAC13: 8-bit PWM static DAC registers storing preset values

PRESET VALUE	DUTY CYCLE	DC VOLTAGE
0	0/255	0V
1	1/255	1/255 \times 5V
n	n/255	n/255 \times 5V
255	255/255	+5V

- PWM frequency FPWM = FCLOCK \div 255

Fclock	16 MHz	18.432 MHz	20 MHz
FPWM	62.745 KHz	72.282 KHz	78.431 KHz
TPWM	15.94 μ S	13.83 μ S	12.75 μ S

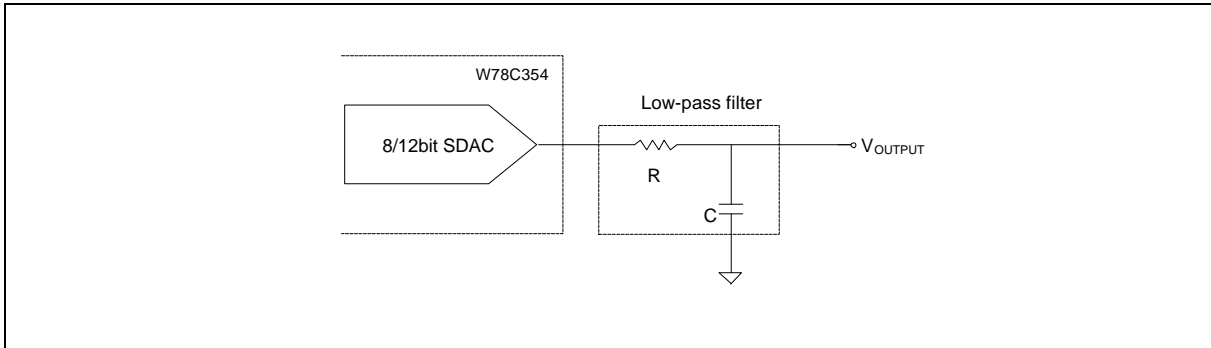


Figure 8. SDAC application circuit (where $T = RC$, $V_{OUTPUT} = V_{CC} \times n/255$, if $T \gg T_{PWM}$)

When bit ENM0 of SFR CONTREG2 is set to high, SDAC0 will output PWM in one frame and then keep low for the next frame. Thus SDAC0 can be used for H moire cancellation. SDAC1 can also be configured with the same operation for V moire cancellation by setting bit ENM1. The application circuit is shown below.

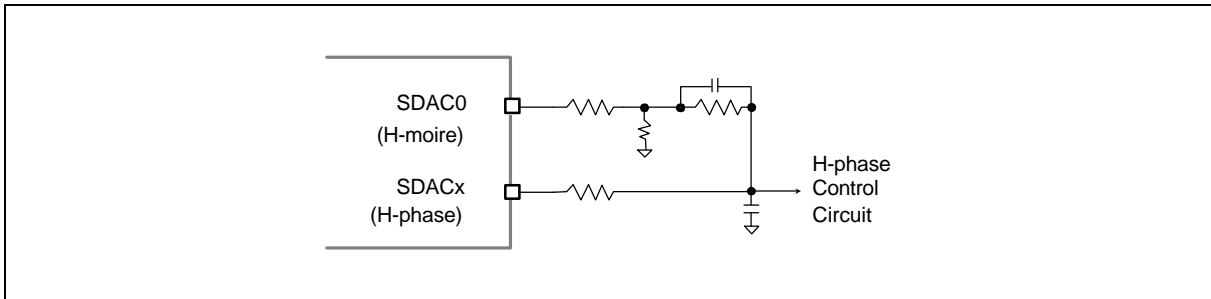


Figure 9. Moire application circuit

L-1.2 Two-channel 12-bit PWM/BRM Static DAC

The two 12-bit PWM/BRM outputs (BSDAC0,1) are composed of an 8-bit PWM and a 4-bit BRM (bit rate multiplier). The value of the 4-bit BRMs (SFRs SBRM0, 1) determine to which positions one clock pulse will be added in every 16 PWM outputs of 12-bit PWM/BRM static DAC0,1. When the "MOV BSDACn, #value" or "MOV SBRMn, #value" instruction is executed, the related output pin will output the PWM waveform needed by the user. The 12-bit PWM/BRM frequency is the same as that of the 8-bit PWM output.

VALUE OF SBRM0 OR SBRM1 (BIT3 BIT2 BIT1 BIT0)	ONE CLOCK PLUSE INCREMENTED IN THE N-TH OUTPUT EVERY 16 PWM OUTPUTS
0000	None
0001	n = 8
0010	n = 4, 12
0100	n = 2, 6, 10, 14
1000	n = 1, 3, 5, 7, 9, 11, 13, 15

In the following table, in the positions marked with an "⊙" one clock pulse will be added to every 16 PWM outputs.

SBRM0, SBRM1	PWM/BRM OUTPUT CYCLE															
	0	1	2	3	4	5	6	7	8	9	10	11	12	13	14	15
0000	-	-	-	-	-	-	-	-	-	-	-	-	-	-	-	-
0001	-	-	-	-	-	-	-	-	⊙	-	-	-	-	-	-	-
0010	-	-	-	-	⊙	-	-	-	-	-	-	⊙	-	-	-	-
0011	-	-	-	-	⊙	-	-	-	⊙	-	-	⊙	-	-	-	-
0100	-	-	⊙	-	-	-	⊙	-	-	-	⊙	-	-	-	⊙	-
0101	-	-	⊙	-	-	-	⊙	-	⊙	-	⊙	-	-	-	⊙	-
0110	-	-	⊙	-	⊙	-	⊙	-	-	-	⊙	-	⊙	-	⊙	-
0111	-	-	⊙	-	⊙	-	⊙	-	⊙	-	⊙	-	⊙	-	⊙	-
1000	-	⊙	-	⊙	-	⊙	-	⊙	-	⊙	-	⊙	-	⊙	-	⊙
1001	-	⊙	-	⊙	-	⊙	-	⊙	⊙	⊙	-	⊙	-	⊙	-	⊙
1010	-	⊙	-	⊙	⊙	⊙	-	⊙	-	⊙	-	⊙	⊙	⊙	-	⊙
1011	-	⊙	-	⊙	⊙	⊙	-	⊙	⊙	⊙	-	⊙	⊙	⊙	-	⊙
1100	-	⊙	⊙	⊙	-	⊙	⊙	⊙	-	⊙	⊙	⊙	-	⊙	⊙	⊙
1101	-	⊙	⊙	⊙	-	⊙	⊙	⊙	⊙	⊙	⊙	-	⊙	⊙	⊙	⊙
1110	-	⊙	⊙	⊙	⊙	⊙	⊙	⊙	-	⊙	⊙	⊙	⊙	⊙	⊙	⊙
1111	-	⊙	⊙	⊙	⊙	⊙	⊙	⊙	⊙	⊙	⊙	⊙	⊙	⊙	⊙	⊙

L-2. Three-channel 8-bit and One-channel 12-bit PWM Dynamic DACs

The 8-bit PWM dynamic DACs (DDAC0-2) and 12-bit PWM dynamic DAC (BDDAC) are used to achieve geometric compensation by generating a parabola output waveform by the integrator circuit shown in Figure 6 and by executing the "MOV DDACn, #value," "MOV BDDAC, #value," or "MOV DBRM, #value" instructions by a software program. The PWM waveforms and operating criteria of the related registers are similar to those of the static DACs. The unused dynamic DACs can be used as static DACs.

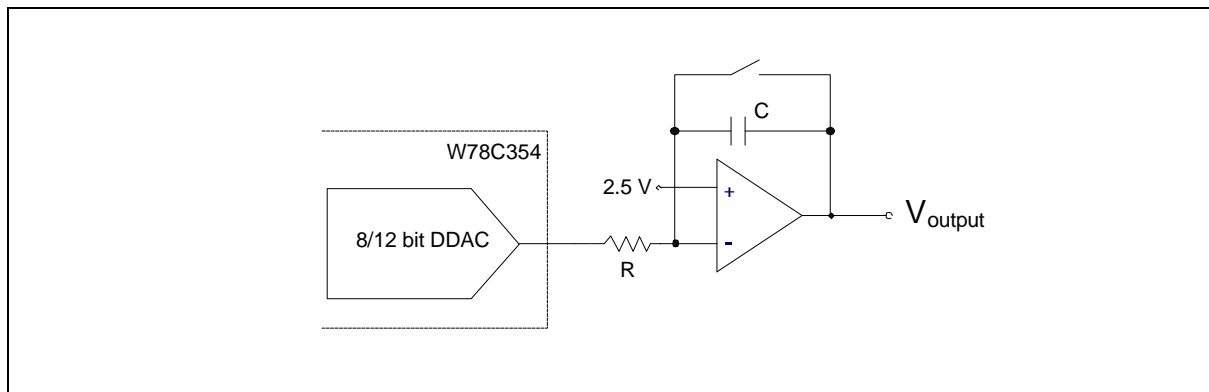





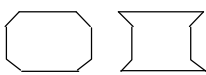
Figure 10. Dynamic DAC application circuit



The objective of the dynamic DAC is to generate geometric compensation parabola waveforms. Several examples are given below.

L-3. Examples

L-3.1 DDAC0 used to compensate for H size distortion

- 1. Pincushion (PCC amplitude) 
- 2. Trapezoid (Keystone) 
- 3. CBOW (S-comp) 
- 4. PCC corner 

L-3.2 DDAC1 used to compensate for H center distortion

- 1. Pin balance (Bow) 
- 2. Key balance (Tilt) 

M. Sync Processor

The sync processor is composed of a polarity detector, sync separator, H/V frequency counter, H/V dummy frequency generator, H-clamp generator, and SOA generator. Figure 11 is a block diagram of the sync processor. The related control bits are defined in SFR CONTREG2. The sync processor supports powerful functions that enable users to employ the V/H , H-clamp, and SOA outputs to easily control and protect the deflection circuit.

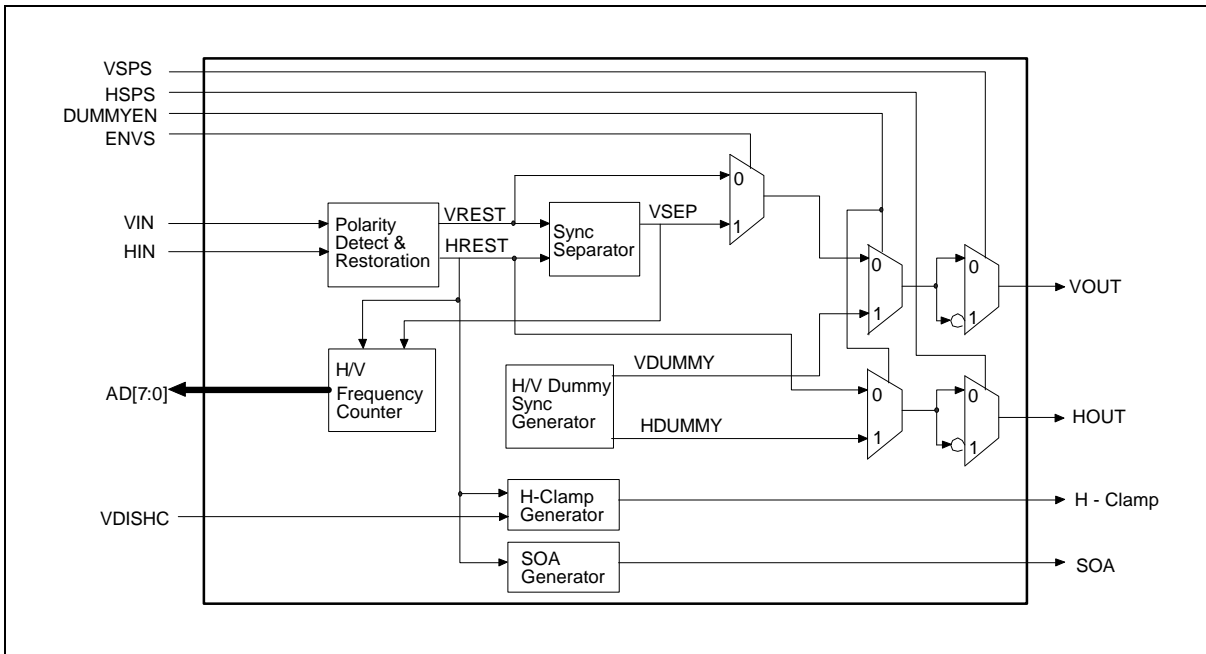


Figure 11. Sync processor

M-1. Polarity Detector

The H/V polarity is detected automatically and can be read from SFR STATUS. The polarity of the H/V input signals is then restored (they signals become HREST/VREST) for internal processing and output to HOUT/VOUT to drive the deflection circuit.

Maximum sync width to HIN pin: $(1/F_{CLOCK}) \times 2^{14}$

Maximum sync width to VIN pin: $(1/F_{CLOCK}) \times 2^{14}$

FCLOCK	16 MHz	18.432 MHz	20 MHz
Max. sync width for HIN	1024 μ S	888 μ S	819 μ S
Max. sync width for VIN	1024 μ S	888 μ S	819 μ S

M-2. Sync Separator

Vsync is separated from the composite sync automatically, without any additional software programming. Figure 12 shows the waveforms of VOUT that result from a composite or non-composite Hsync input.

If ENV5 = 1, the limitations on the Vsync signal are:

VIN pulse width must be larger than $W_{vmin} = [(1/F_{CLOCK}) \cdot \sqrt{128.5}] \pm 1/(2 \times F_{CLOCK})$

VOUT is delayed from VIN signal by $T_{delay} = [(1/F_{CLOCK}) \cdot \sqrt{128.5}] \pm 1/(2 \times F_{CLOCK})$

F _{CLOCK}	16 MHz	18.432 MHz	20 MHz
1/F _{clock}	62.5 nS	54 nS	50 nS
Min. Vsync width (W _{vmin})	8031 ± 31 nS	6939 ± 27 nS	6425 ± 25 nS
V _{OUT} delay from V _{IN} (T _{delay})	8031 ± 31 nS	6939 ± 27 nS	6425 ± 25 nS

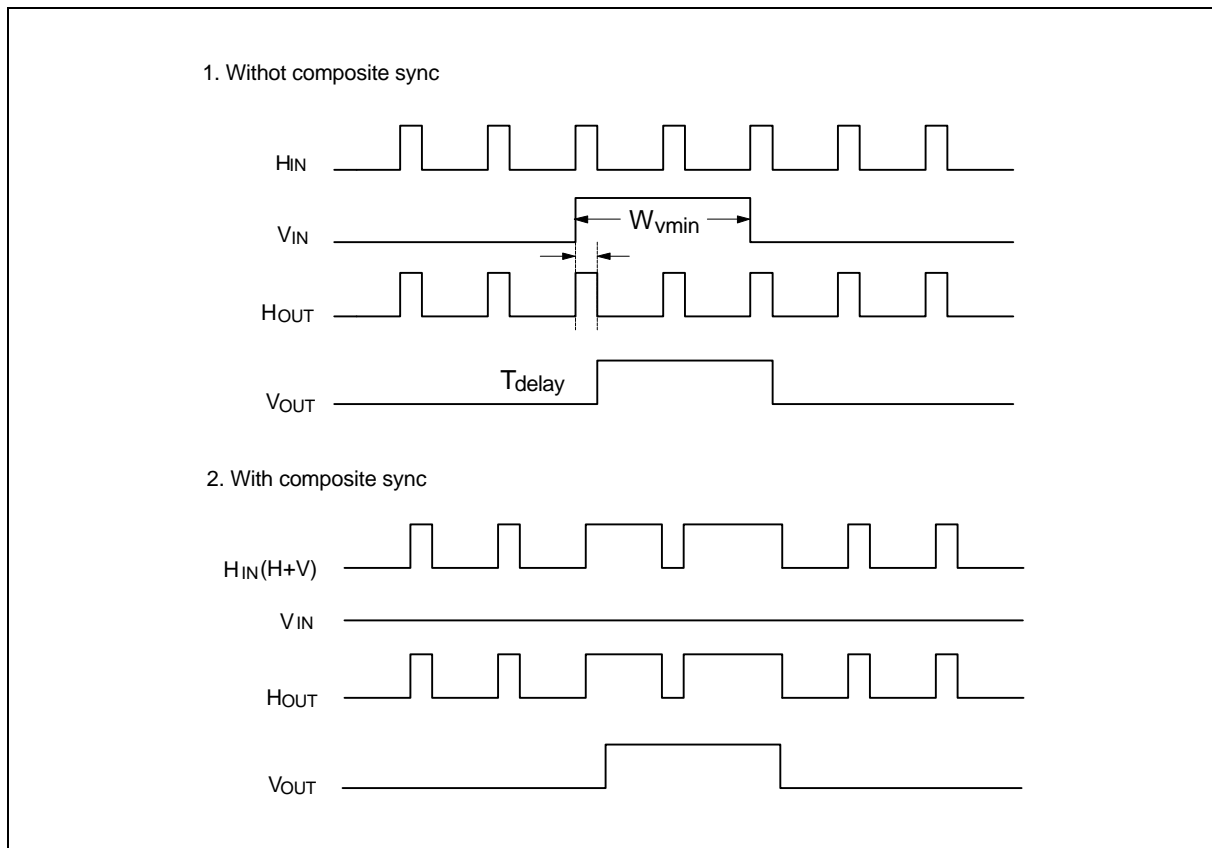


Figure 12. Vsync separator output (when DUMMYEN = 0, ENV5 = 1)

M-3. Horizontal & Vertical Frequency Counter

There are two 16-bit counters that automatically count the horizontal and vertical frequency. When a VEVENT interrupt occurs, the W78C354 reads the count value (H_{COUNT} and V_{COUNT}) from the 8-bit counter registers (HFCOUNT_{TH}, HFCOUNT_{TL}, VFCOUNT_{TH}, and VFCOUNT_{TL}) to calculate the H and V frequency by the formulas listed below.



V frequency:

- Resolution of V frequency counter: $VRESOL = (1/FCLOCK) \times 16$
- V-frequency: $VFREQ = 1/(VCOUNT \times VRESOL)$
- Lowest V frequency can be detected: $FCLOCK \geq 1048576$

H frequency:

- Resolution of H frequency counter: $HRESOL = (1/FCLOCK) \geq 8$
- H-frequency: $HFREQ = 1/(HCOUNT \times HRESOL)$
- Lowest H frequency can be detected: $FCLOCK \geq 8192$

	16 MHz	18.432 MHz	20 MHz
Vresol	1 μ S	868 nS	800 nS
Lowest VFREQ	15 Hz	17.6 Hz	19 Hz
Hresol	7.8 nS	6.8 nS	6.3 nS
Lowest HFREQ	1.9 KHz	2.3 KHz	2.4 KHz

M-4. Dummy Frequency Generator

The dummy H and V frequencies are generated for factory burn-in measurement and for displaying a warning message when there is no input H/V frequency. The dummy sync generator includes two newly added SFRs, DHREG and DVREG. DHREG is a 4-bit register used to determine the dummy Hsync output frequency. DVREG is an 8-bit register that can be used to preset a constant into DVREG to determine the dummy Vsync output frequency by the formulas listed below.

- Dummy Hsync frequency $F_{dH} = FCLOCK \geq 32 \geq (DHREG+1)$
- Dummy Vsync frequency $F_{dV} = F_{dH} \geq 8 \geq (DVREG+1)$

Example: Assume system clock = 16 Mhz

DHREG	F _{DH}	DVREG	F _{DV}
15	31.25K	48	79.7 Hz
12	38.5K	59	80.2 Hz
10	45.5K	70	80.1 Hz
9	50K	77	80.1 Hz
7	62.5K	96	80.5 Hz
5	82K	127	80.1 Hz
4	100K	155	80.1 Hz

The relations between the bit DUMMYEN and the outputs of the H/V frequencies are listed below:

	HOUT	VOUT
DUMMYEN = 0	HREST	VREST (if ENVS = 0) VSEP (if ENVS = 1)
DUMMYEN = 1	HDUMMY	VDUMMY

M-5. H-clamp Pulse Generator

If the P14SF bit is set in the newly added SFR CONTREG4 (bit-addressable), the output pin P1.4 can be used as the H-clamp pulse output (refer to Figure 13). The Hsync trigger type can be selected to generate the H-clamp output pulse, and the pulse width of the H-clamp output can be determined by programming the bits HCES, HCWS1, and HCWS2 in SFR CONTREG1. For details, see the following figure and description.

CONDITION OF P14SF	PORT 1.4 I/O PIN FUNCTION
P14SF = 0	General I/O pin
P14SF = 1 & P1.4 = 0	H-clamp pulse output

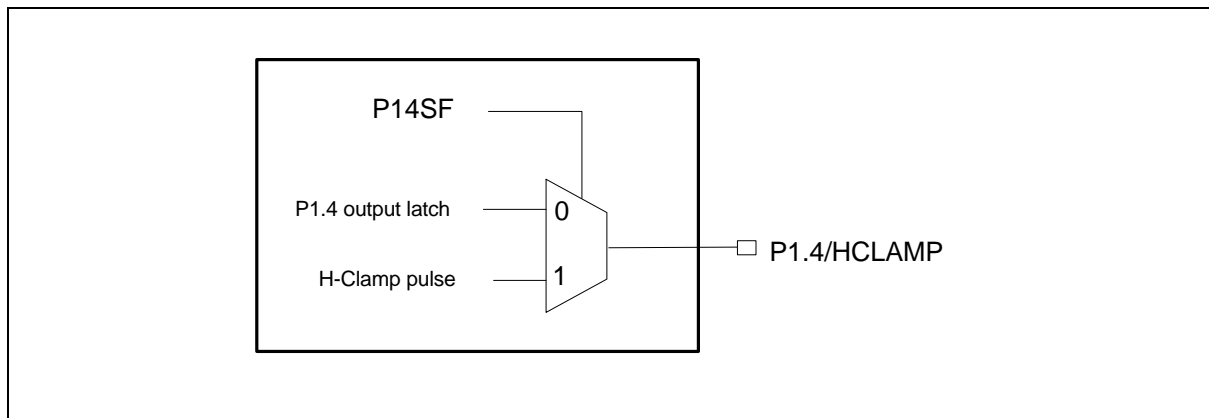


Figure 13. Alternate function of P1.4

1. Select the leading edge or trailing edge of Hsync:
 - HCES = 0: select leading edge
 - HCES = 1: select trailing edge

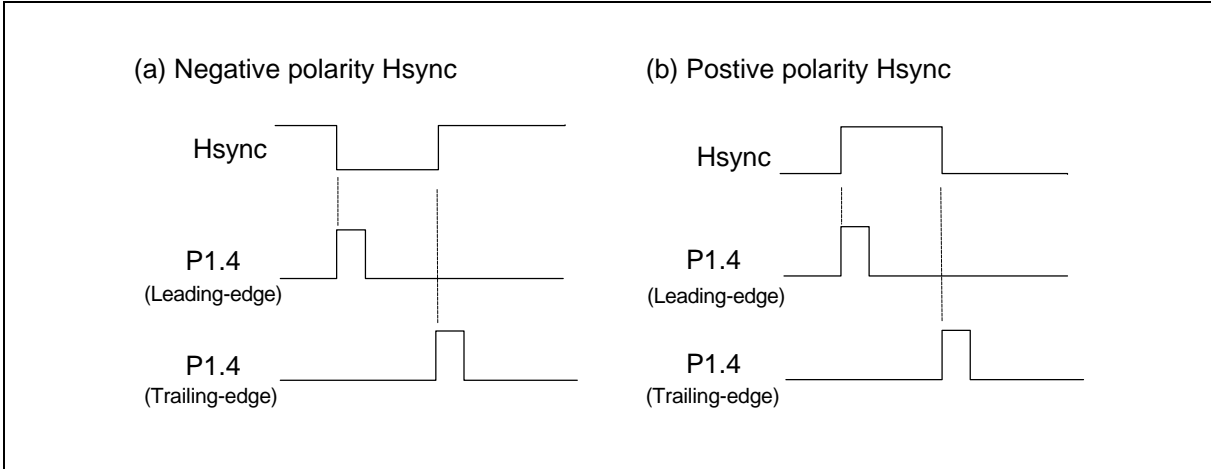


Figure 14. Pin P1.4 outputs the H-clamp pulse at the leading edge or trailing edge of Hsync.

2. Pulse width of H-clamp pulse:

- Select the weighting of H-clamp pulse by programming bits HCWS0 and HCWS1 in CONTREG1
- Pulse width of H-clamp output: $[(1/F_{CLOCK}) \times \text{Weighting}] \pm [1/(2 \times F_{CLOCK})]$

(HCWS1, HCWS0)	WEIGHTING	16 MHz	18.432 MHz	20 MHz
(0, 0)	4.5	281 ±31 nS	244 ±27 nS	225 ±25 nS
(0, 1)	8.5	531 ±31 nS	461 ±27 nS	425 ±25 nS
(1, 0)	16.5	1031 ±31 nS	896 ±27 nS	825 ±25 nS
(1, 1)	32.5	2031 ±31 nS	1764 ±27 nS	1625 ±25 nS

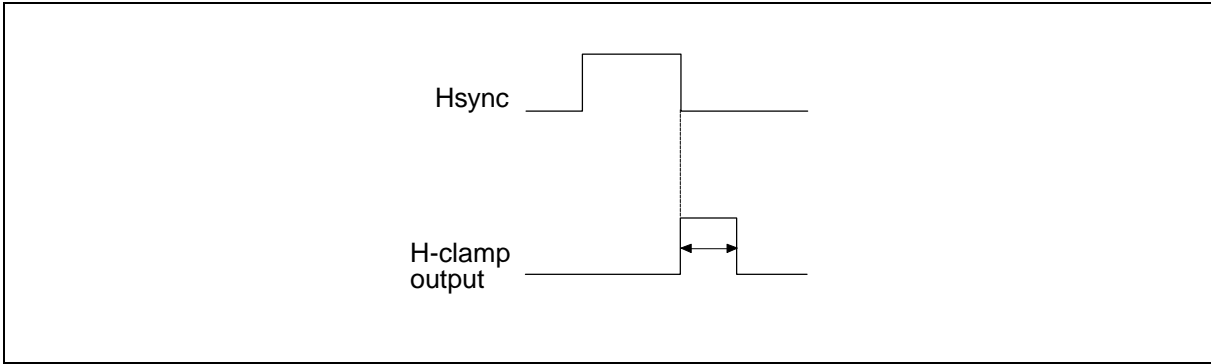


Figure 15. Pulse width of H-clamp output



If the bit VDISHC of SFR CONTREG2 is set high, the H-clamp pulse output will be disabled in the V sync pulse period.

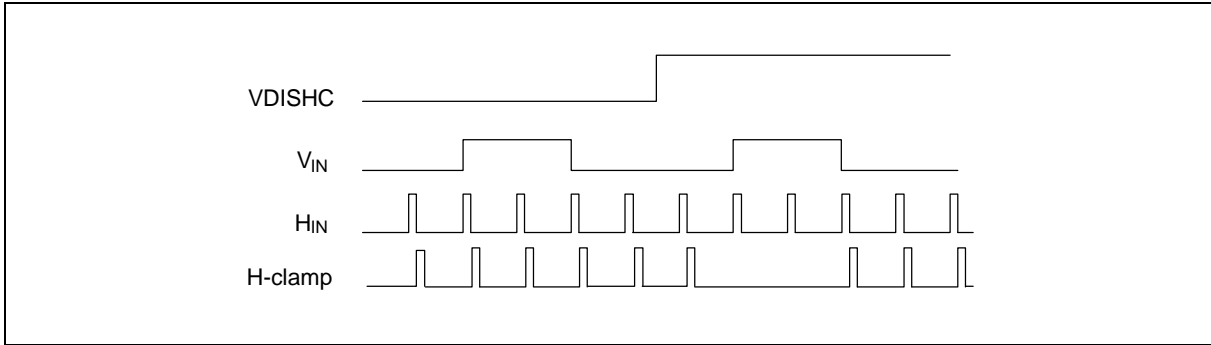


Figure 16. Disable H-clamp output

M-6. Safe Operation Area (SOA) Output

The purpose of the SOA output is to protect the HOT (horizontal oscillating transistor) and other critical circuitry by responding quickly if the Hsync frequency suddenly drops below a preset boundary frequency. When the Hsync frequency is lower than the preset boundary frequency for three consecutive cycles or stops for a certain period, the SOA pin (P1.5) will change to a "high" state to activate an external circuit to protect the monitor. If the bit P15SF is set in SFR CONTREG4, the pin P1.5 can be used as the SOA output (refer to Figure 17). The SOA pin can be released by writing any value to SFR SOACLR.

CONDITION OF P15SF	PORT 1.5 I/O PIN FUNCTION
P15SF = 0	General I/O pin
P15SF = 1 & P1.5 = 0	SOA output

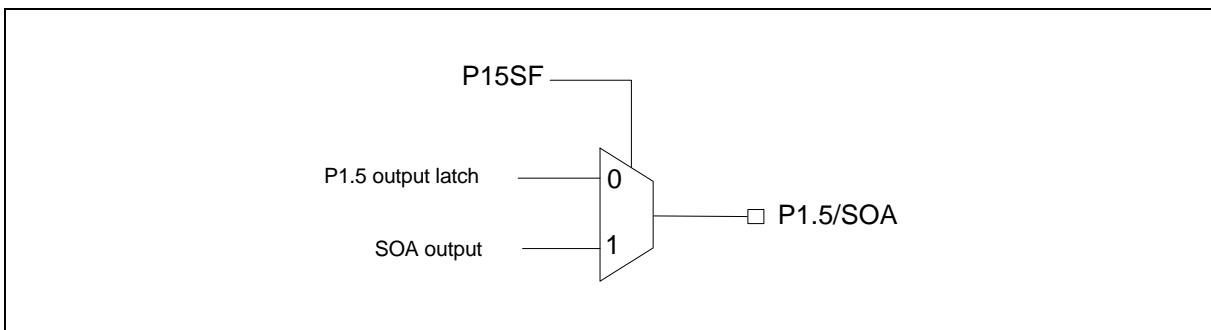


Figure 17. Alternate function of P1.5

- Boundary frequency $H_{BOUND} = 2 \text{ MHz} \div (\text{Value of SOAREG})$
 Example: If 50 KHz is considered the boundary frequency, then value of $SOAREG = 2M \div 50K = 40$.
- No Hsync response time = $2048 \times (1/F_{CLOCK})$.

	16 MHz	18.432 MHz	20 MHz
No Hsync response time	128 μ S	111 μ S	102 μ S

M-7. Self-test Pattern Output

When the dummy frequency generator is enabled, if bit P23SF of SFR CONTREG4 is set, the STP output will provide a checkerboard pattern for burn-in or self-diagnostic purposes. The bit INVSTP of CONTREG4 can invert the checkerboard pattern to avoid phosphor damage during factory burn-in.

CONDITION Of P23SF	PORT 2.3 I/O PIN FUNCTION
P23SF = 0	General I/O pin
P23SF = 1 & P2.3 = 0	STP output

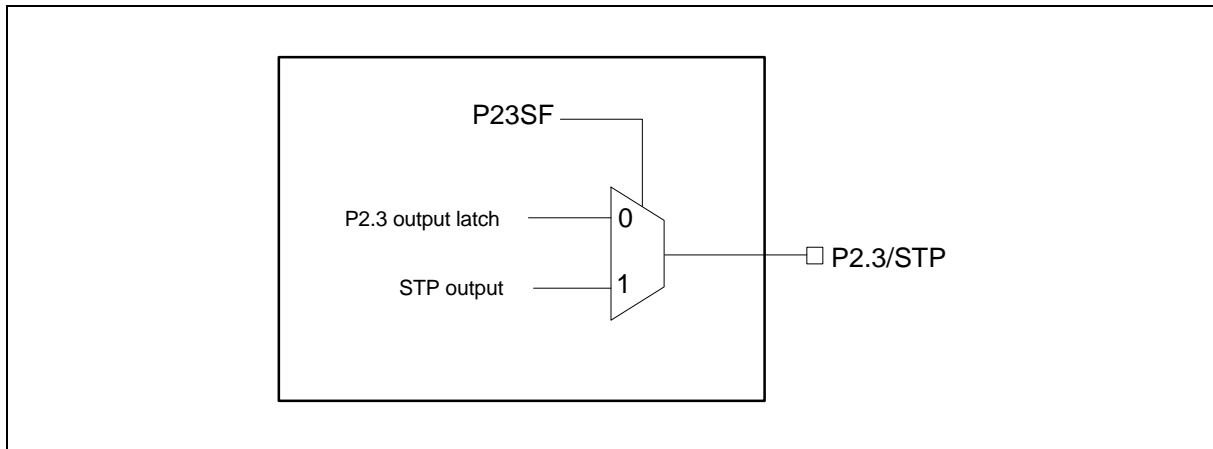


Figure 18. Alternate function of P2.3

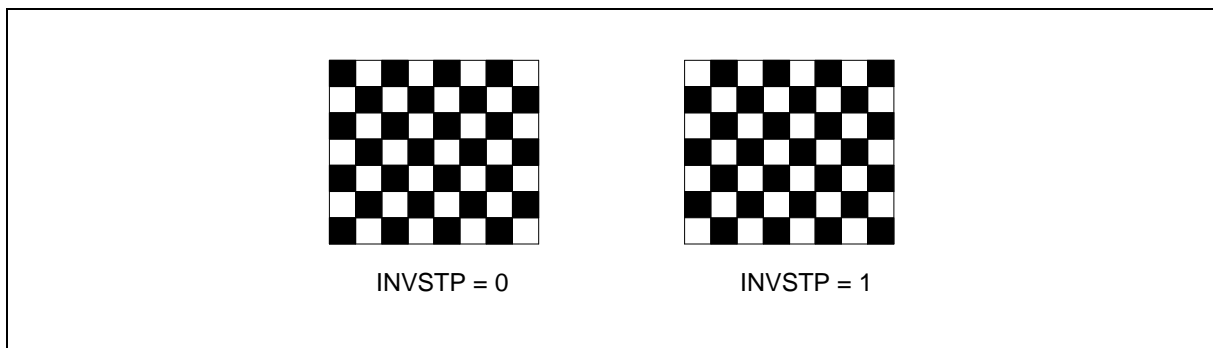


Figure 19. Checkerboard pattern

N. Power Supervisor, Watchdog Timer, and Reset Circuitry

Reset signals can come from three sources: an external reset input (active low), power-low detection, or the watchdog timer. Figure 20 is a block diagram of the reset circuitry. The power-low detection circuit generates a reset signal if V_{CC} falls below 3.8V, and the reset signal will keep twenty-four machine cycle after V_{CC} rises to 4.3V. Thus we can make sure the chip can be reseted perfectly when the monitor is first powered on, and avoid the w78c354's overwriting the E²PROM mistakenly when the monitor is powered down. The power-low detection circuit can be enabled or disabled by code option 1.

The purpose of the watchdog timer is to reset the W78C354 if it enters an abnormal processor state (caused by electrical noise or RFI, for example). The clock source of the watchdog timer comes from the internal system clock. The timer can be enabled or disabled by the code option 2. When enabled, the watchdog circuitry will generate a system reset if the user's program fails to reload the watchdog timer within a specified length of time after executing the "MOV WDTCLR, # Value" instruction. This length of time is known as the "watchdog interval" (TWDT). Four selections are available for the watchdog interval (type A, B, C, and D); the selections, which are programmed by code option 3, are indicated by the formulas in table below.

There are three code options in the reset circuitry:

- Code option 1: Enable/disable the power-low detector.
- Code option 2: Enable/disable the watchdog timer.
- Code option 3: Select one watchdog interval (type A, B, C, D as listed in the table below.)

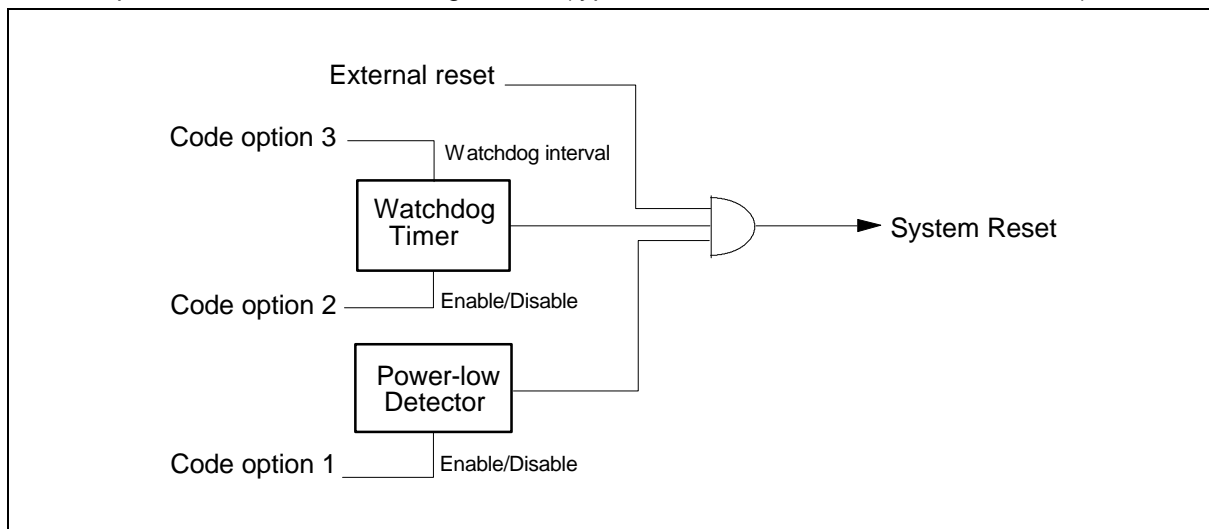


Figure 20. Reset circuitry



Table4. Watchdog Interval

TWDT		FcLOCK		
CODE OPTION 3	FORMULA	16 MHz	18.432 MHz	20 MHz
Type-A	$2^{19}/F_{CLOCK}$	32 mS	28 mS	26 mS
Type-B	$2^{21}/F_{CLOCK}$	131 mS	113 mS	104 mS
Type-C	$2^{23}/F_{CLOCK}$	524 mS	452 mS	417 mS
Type-D	$2^{24}/F_{CLOCK}$	1048 mS	905 mS	834 mS

ABSOLUTE MAXIMUM RATINGS

PARAMETER	SYMBOL	MIN.	MAX.	UNIT
DC Power Supply	VCC-VSS	-0.3	+7.0	V
Input Voltage	VIN	VSS -0.3	VCC +0.3	V
Operating Temperature	TA	0	70	°C
Storage Temperature	TST	-55	+150	°C

Note: Exposure to conditions beyond those listed under Absolute Maximum Ratings may adversely affect the life and reliability of the device.

DC ELECTRICAL CHARACTERISTICS

VCC-VSS = 5V ± 10%, TA = 25° C, Fosc = 20 MHz, unless otherwise specified

PARAMETER	SYM.	CONDITIONS	MIN.	TYP	MAX.	UNIT
Operating Voltage	VDD		4.5	5	5.5	V
Operating Current	IDD	No load, VDD = 5.5V	-	-	65	mA
Idle Current	IDLE	Idle mode, VDD = 5.5V	-	-	30	mA
Logic 0 Input Current P1, P2, P3 (except P1.0 to P1.3,P1.5)	IIN1	VDD = 5.5V VIN = 0V	-75	-	-10	μA
Input Current $\overline{\text{RESET}}$ [*1]	IIN2	VDD = 5.5V VIN = 0V	-250	-	-	μA
Input Current HIN, VIN [*2]	IIN3	VDD = 5.5V VIN = VDD	-	-	+30	μA
Input Leakage Current P1.0 to P1.3, ADC0 to ADC3	ILK	VDD = 5.5V 0V < VIN < VDD	-10	-	+10	μA

DC Electrical Characteristics, continued

PARAMETER	SYM.	CONDITIONS	MIN.	TYP.	MAX.	UNIT
Logical 1-to-0 Transition Current P1, P2, P3 ^[*3] (except P1.0 to P1.3, P1.5)	ITL	VDD = 5.5V VIN = 2.0V	-650	-	-	μA
Input Low Voltage $\overline{\text{RESET}}$, OSCIN ^[*4] (except P1.0 to P1.3, P1.5)	VIL1	VDD = 4.5V	0	-	0.8	V
Input Low Voltage HIN, VIN ^[*5]	VIL2	VDD = 4.5V	0	-	0.8	V
Input Low Voltage P1.0 to P1.3	VIL3	VDD = 4.5V	0	-	1.5	V
Input High Voltage P1, P2, P3 (except P1.0 to P1.3, P1.5)	VIH1	VDD = 5.5V	2.4	-	VDD +0.2	V
Input High Voltage $\overline{\text{RESET}}$, OSCIN ^[*4]	VIH2	VDD = 5.5V	3.5	-	VDD +0.2	V
Input High Voltage HIN, VIN ^[*5]	VIH3	VDD = 5.5V	2.4	-	VDD +0.2	V
Input High Voltage P1.0 to P1.3	VIH4	VDD = 5.5V	3.0	-	VDD +0.2	V
Output Low Voltage P1.4, P1.5, P2.2 to P2.7 SDAC0 to SDAC13 HOUT, VOUT	VOL1	VDD = 4.5V IOL = +4 mA	-	-	0.45	V
Output Low Voltage P1.0, P1.1	VOL2	VDD = 4.5V IOL = +2 mA	-	-	0.4	V
Output Low Voltage P1.2, P1.3	VOL3	VDD = 4.5V IOL = +6 mA	-	-	0.4	V
Output Low Voltage P2.0, P2.1	VOL4	VDD = 4.5V IOL = +15 mA	-	-	0.45	V
Output Low Voltage P3, P4	VOL5	VDD = 4.5V IOL = +2 mA	-	-	0.45	V



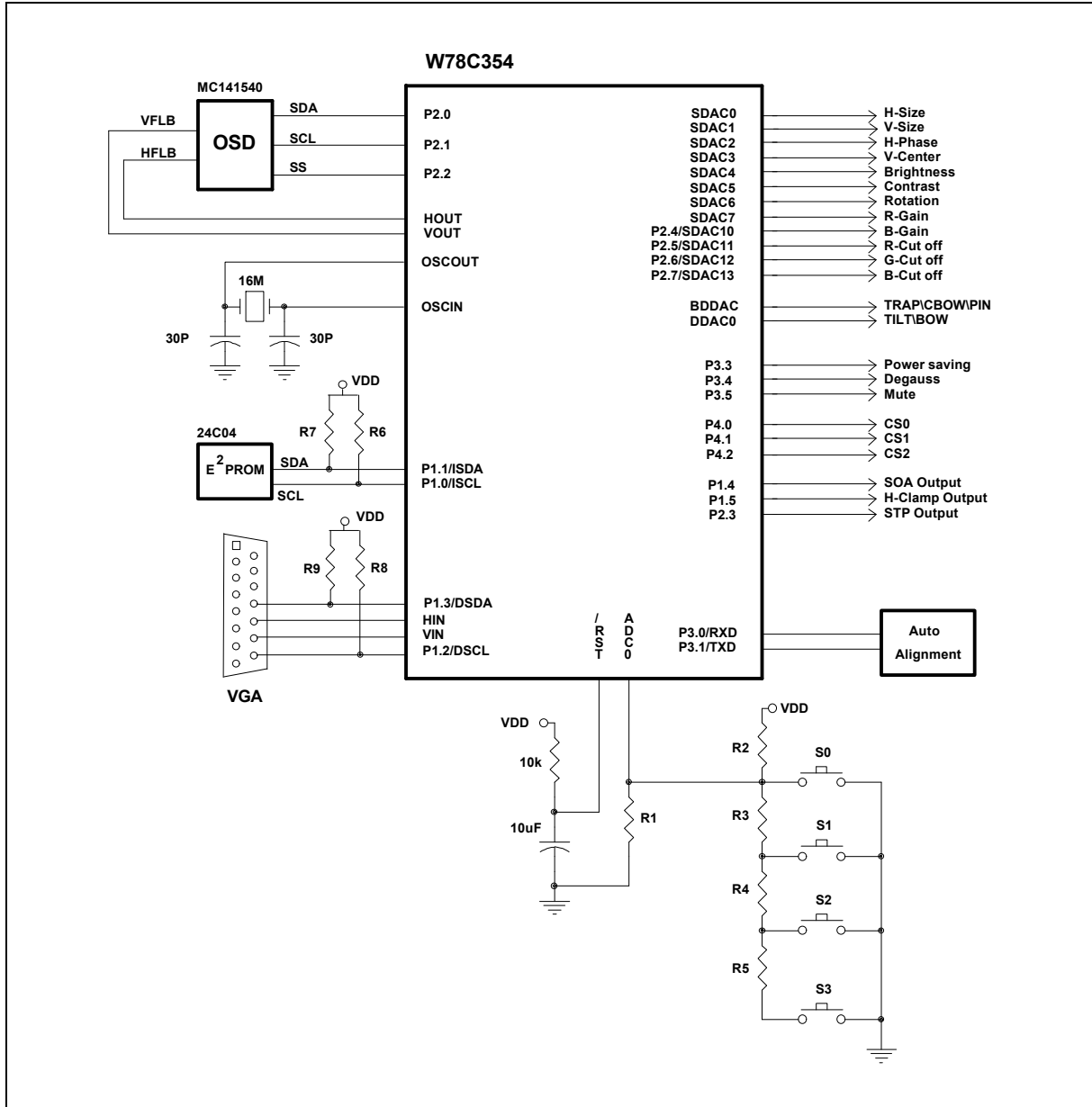
DC Electrical Characteristics, continued

PARAMETER	SYM.	CONDITIONS	MIN.	TYP.	MAX.	UNIT
Output Low Voltage BSDAC0-1, DDAC0-2, BDDAC	VOL6	VDD = 4.5V IOL = +8 mA	-	-	0.45	V
Output High Voltage P1.4, P2, P3	VOH1	VDD = 4.5V IOH = -100 μ A	2.4	-	-	V
Output High Voltage P1.5, SDAC0-13, HOUT, VOUT, Special Function of P1.4 and P2.3~P2.7	VOH2	VDD = 4.5V IOH = -4 mA	2.4	-	-	V
Output High Voltage, BSDAC0-1, DDAC0-2, BDDAC	VOH3	VDD = 4.5V IOH = -8 mA	2.4	-	-	V
Output High Voltage P4	VOH4	VDD = 4.5V IOH = -2mA	2.4	-	-	V

Notes:

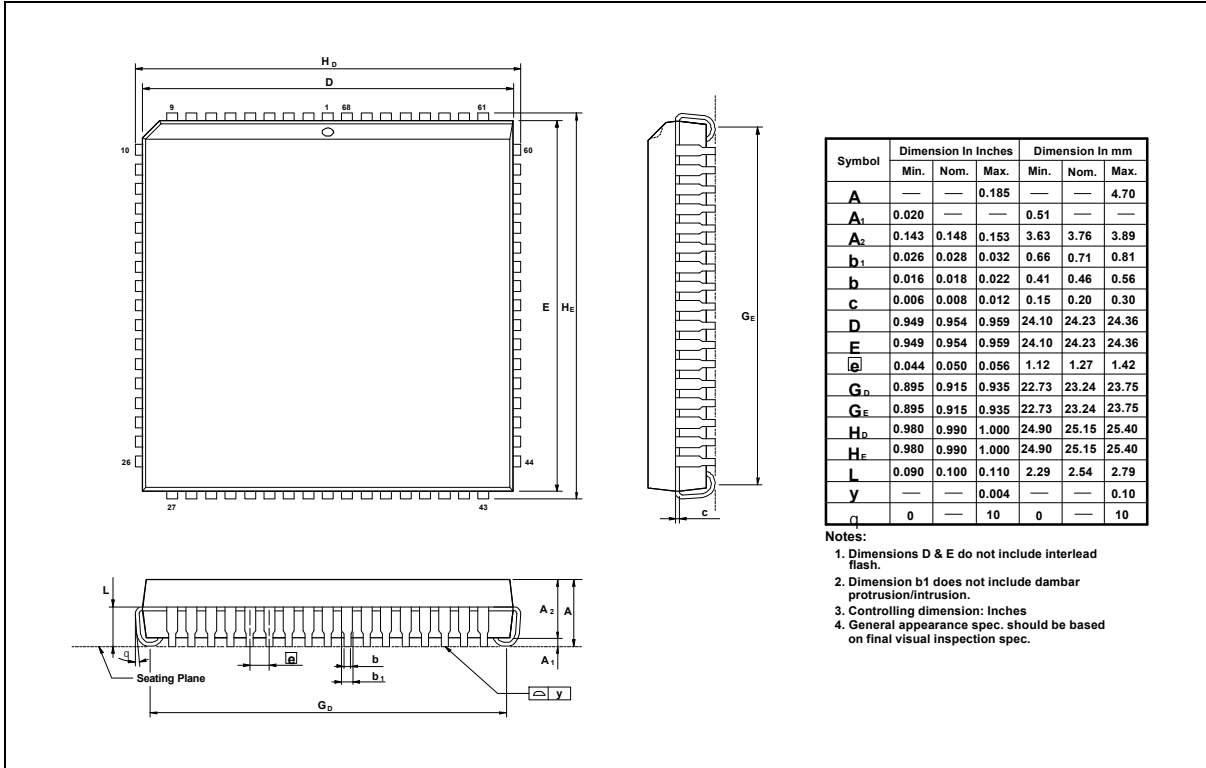
1. The RESET pin has an internal pull-up resistor with a resistance of about 30 K Ω .
2. Pins HIN and VIN have an internal pull-down resistor with a resistance of about 200 K Ω .
3. Pins P1, P2, and P3 (except P1.0-P1.3 and P1.5) source a transition current when they are being externally driven from 1 to 0. The transition current reaches its maximum value when VIN is approximately 2V.
4. RESET is a Schmitt trigger input, and OSCIN is a CMOS input.
5. HIN and VIN are Schmitt trigger inputs.

TYPICAL APPLICATION CIRCUIT

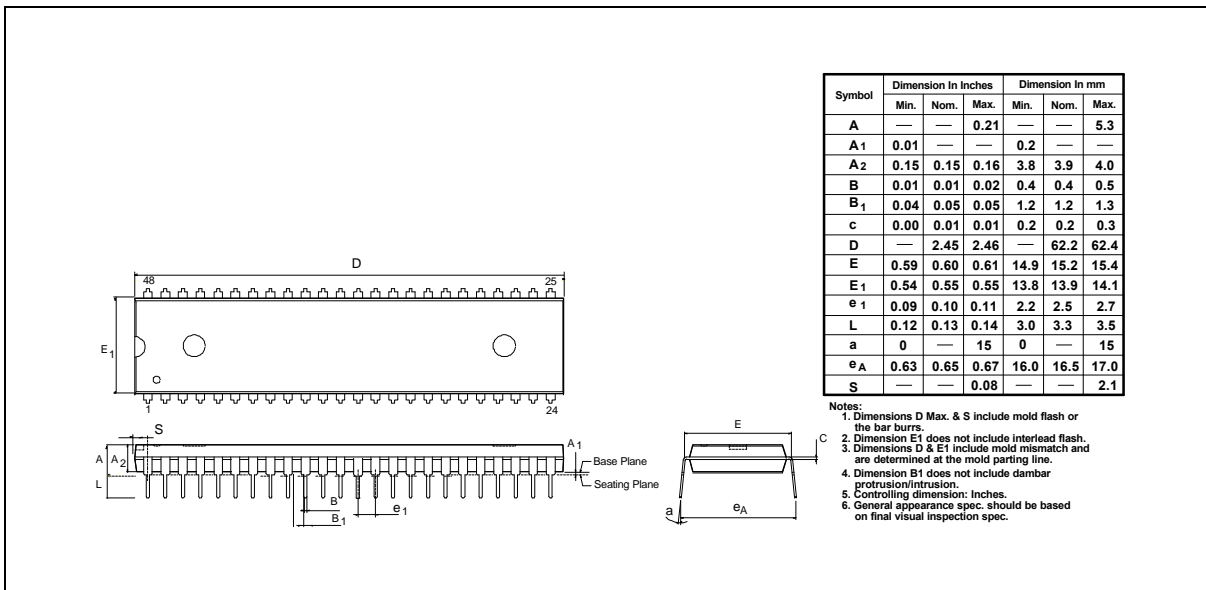


PACKAGE DIMENSIONS

68-pin PLCC

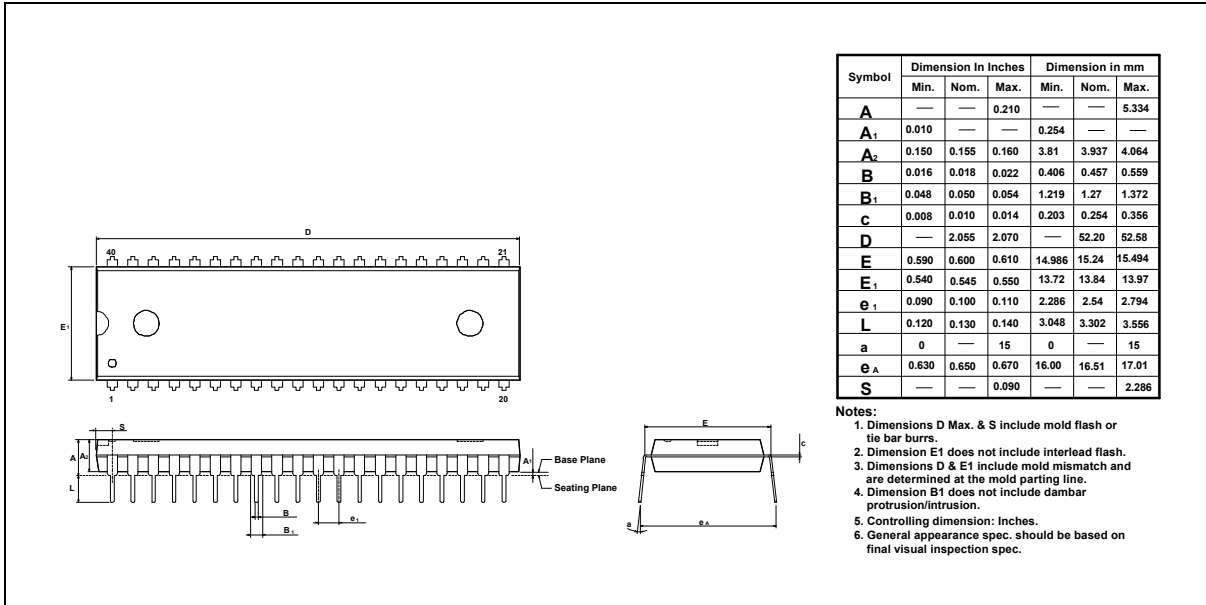


48-pin DIP





40-pin DIP



Headquarters

No. 4, Creation Rd. III,
Science-Based Industrial Park,
Hsinchu, Taiwan
TEL: 886-3-5770066
FAX: 886-3-5792697
<http://www.winbond.com.tw/>
Voice & Fax-on-demand: 886-2-7197006

Taipei Office

11F, No. 115, Sec. 3, Min-Sheng East Rd.,
Taipei, Taiwan
TEL: 886-2-7190505
FAX: 886-2-7197502

Winbond Electronics (H.K.) Ltd.

Rm. 803, World Trade Square, Tower II,
123 Hoi Bun Rd., Kwun Tong,
Kowloon, Hong Kong
TEL: 852-27513100
FAX: 852-27552064

Winbond Electronics North America Corp.

Winbond Memory Lab.
Winbond Microelectronics Corp.
Winbond Systems Lab.
2727 N. First Street, San Jose,
CA 95134, U.S.A.
TEL: 408-9436666
FAX: 408-5441798

Note: All data and specifications are subject to change without notice.