

# Panasonic RF Front End System Unit

Type : **VPC12R/VPA12**

Part No : **ENG** \_ \_ \_ \_ \_



## Features

- Conforms to industry standard mounting specifications
- NTSC / PAL same shape and high performance are achieved
- The miniaturization of 2/3 compared with our company is achieved

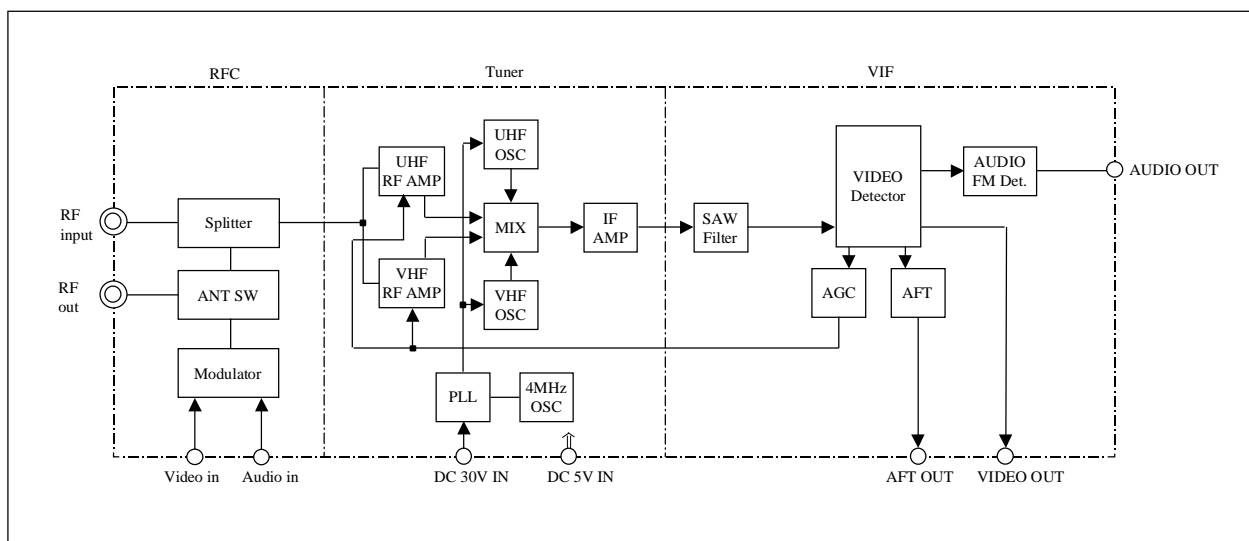
## Recommended Applications

- VCR, DVD combi

## ■ Performance Specifications, Summary

Items	NTSC		PAL
	JAPAN	U.S.A.	
1. VIF / SIF	58.75 / 54.25 MHz	45.75 / 41.25 MHz	38.0/32.5, 32.0, 31.5MHz
2. Video Output Signal Level	1.0 Vp-p typ.		1.0 Vp-p typ.
3. Video S / N	46 dB typ.		46 dB typ.
4. Audio Carrier Output Signal	95 dB typ.		
5. Audio Output Signal Level	450 mVrms typ.		500 mVrms typ.
6. Audio S / N	40 dB min.		40 dB min.
7. Supply Voltage	+ 5 V		+ 5 V
8. Channel	ch. 1 to C22 ch. 4 to C52 ch. 53 to 62	ch. 2 to B ch. C to KK ch. LL to 69	ch. K1 to S7 ch. S8 to S41 ch. E21 to C57
9. Modulator Channel	Ch. 1 / Ch.2	Ch. 3 / Ch.4	Ch. E21 ~ C69
10. Input Impedance	75 Ω Unbalanced		75 Ω Unbalanced
11. External Size	63.5(W) × 14.2(D) × 49.7(H) mm		

## ■ Block Diagram



Design and specifications are each subject to change without notice. Ask factory for the current technical specifications before purchase and/or use. Should a safety concern arise regarding this product, please be sure to contact us immediately.