

The VP5311C/VP5511C converts digital Y, Cr, Cb, data into analog NTSC/PAL composite video and S-video signals. The outputs are capable of driving doubly terminated 75 ohm loads with standard video levels.

The device accepts data inputs complying with CCIR Recommendation 601 and 656. The data is time multiplexed on an 8 bit bus at 27MHz and is formatted as Cb, Y, Cr, Y (i.e. 4:2:2). The video blanking and sync information from REC 656 is included in the data stream when the VP5311C/VP5511C is working in slave mode.

The output pixel rate is 27MHz and the input pixel rate is half this frequency, i.e. 13.5MHz.

All necessary synchronisation signals are generated internally when the device is operating in master mode. In slave mode the device will lock to the TRS codes or the HS and VS inputs.

The rise and fall times of sync, burst envelope and video blanking are internally controlled to be within composite video specifications.

Three digital to analog converters (DACs) are used to convert the digital luminance, chrominance and composite data into true analog signals. An internally generated reference voltage provides the biasing for the DACs.

### FEATURES

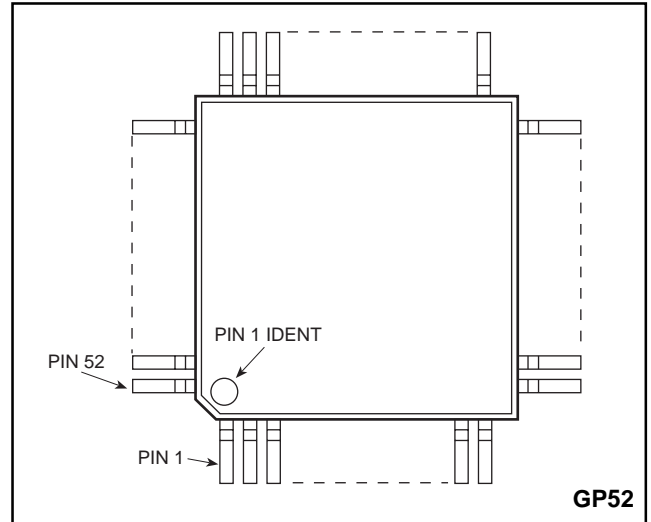
- Converts Y, Cr, Cb data to analog composite video and S-video
- Supports CCIR recommendations 601 and 656
- All digital video encoding
- Selectable master/slave mode for sync signals
- Switchable chrominance and luma bandwidth
- Switchable pedestal with gain compensation
- SMPTE 170M NTSC or CCIR 624 PAL compatible outputs
- GENLOCK mode
- Line 21 Closed Caption encoding
- I<sup>2</sup>C bus serial microprocessor interface
- VP5311C supports Macrovision V7.01 anti-taping format

### APPLICATIONS

- Digital Cable TV
- Digital Satellite TV
- Multi-media
- Video games
- Karaoke
- Digital VCRs

### ORDERING INFORMATION

VP5311C/CG/GP1N  
VP5511C/CG/GP1N



*Fig.1 Pin connections (top view)*

PIN	FUNCTION	PIN	FUNCTION
1	D0 (VS I/O)	27	RESET
2	D1 (HS I/O)	28	REFSQ
3	D2 (FC0 O/P)	29	GND
4	D3 (FC1 O/P)	30	PD7
5	D4 (FC2 O/P)	31	PD6
6	D5	32	PD5
7	D6 (SCSYN I/P)	33	PD4
8	D7 (PALID I/P)	34	PD3
9	GND	35	PD2
10	VDD	36	PD1
11	GND	37	PD0
12	PXCK	38	GND
13	VDD	39	VDD
14	CLAMP	40	AGND
15	COMPSYNC	41	VREF
16	TDO	42	DACGAIN
17	TDI	43	COMP
18	TMS	44	AVDD
19	TCK	45	LUMAOUT
20	GND	46	AGND
21	SA1	47	COMPOUT
22	SA2	48	AGND
23	SCL	49	CHROMAOUT
24	VDD	50	AVDD
25	SDA	51	AVDD
26	VDD	52	AVDD

## VP5311C/VP5511C

### ELECTRICAL CHARACTERISTICS

Test conditions (unless otherwise stated): As specified in Recommended Operating Conditions

#### DC CHARACTERISTICS

Parameter	Conditions	Symbol	Min.	Typ.	Max.	Units
Digital Inputs TTL compatible (except SDA, SCL)						
Input high voltage		V <sub>IH</sub>	2.0			V
Input low voltage		V <sub>IL</sub>			0.8	V
Digital Inputs SDA, SCL						
Input high voltage		V <sub>IH</sub>	0.7 V <sub>DD</sub>			V
Input low voltage		V <sub>IL</sub>			0.3 V <sub>DD</sub>	V
Input high current	V <sub>IN</sub> = V <sub>DD</sub>	I <sub>IH</sub>			10	µA
Input low current	V <sub>IN</sub> = V <sub>SS</sub>	I <sub>IL</sub>			-10	µA
Digital Outputs CMOS compatible						
Output high voltage	I <sub>OH</sub> = -1mA	V <sub>OH</sub>	3.7			V
Output low voltage	I <sub>OL</sub> = +4mA	V <sub>OL</sub>			0.4	V
Digital Output SDA						
Output low voltage	I <sub>OL</sub> = +6mA	V <sub>OL</sub>			0.6	V

### ELECTRICAL CHARACTERISTICS

Test conditions (unless otherwise stated): As specified in Recommended Operating Conditions

#### DC CHARACTERISTICS DACs

Parameter	Symbol	Min.	Typ.	Max.	Units
Accuracy (each DAC)					
Integral linearity error	INL			±1.5	LSB
Differential linearity error	DNL			±1	LSB
DAC matching error				±5	%
Monotonicity					
LSB size			66.83		µA
<small>guaranteed</small>			1.050		V
Internal reference voltage	V <sub>REF</sub>		27k		Ω
Internal reference voltage output impedance	Z <sub>R</sub>		1.3699		mA
Reference Current (V <sub>REF</sub> /R <sub>REF</sub> ) R <sub>REF</sub> = 769Ω	I <sub>REF</sub>		24.93		
DAC Gain Factor (V <sub>OUT</sub> = K <sub>DAC</sub> × I <sub>REF</sub> × R <sub>L</sub> ), V <sub>OUT</sub> = DAC code 511	K <sub>DAC</sub>		50		pV-s
Peak Glitch Energy (see fig.3)					
CVBS, Y and C - NTSC (pedestal enabled)					
Maximum output, relative to sync bottom			33.75		mA
White level relative to black level			17.64		mA
Black level relative to blank level			1.40		mA
Blank level relative to sync level			7.62		mA
Colour burst peak - peak			7.62		mA
DC offset (bottom sync)			0.40		mA
CVBS, Y and C - PAL					
Maximum output			34.15		mA
White level relative to black level			18.71		mA
White level relative to sync level			26.73		mA
Black level relative to sync level			8.02		mA
Colour burst peak - peak			8.02		mA
DC offset (bottom sync)			0.00		mA

**Note:** All figures are for: R<sub>REF</sub> = 769Ω R<sub>L</sub> = 37.5Ω. When the device is set up in NTSC mode there is a +0.25% error in the PAL levels. If R<sub>L</sub> = 75Ω then R<sub>REF</sub> = 1538Ω.

#### ABSOLUTE MAXIMUM RATINGS

Supply voltage	V <sub>DD</sub> , AV <sub>DD</sub>	-0.3 to 7.0V
Voltage on any non power pin		-0.3 to V <sub>DD</sub> +0.3V
Ambient operating temperature		0 to 70°C
Storage temperature		-55°C to 150°C

Note: Stresses exceeding these listed under Absolute Maximum Ratings may induce failure. Exposure to Absolute Maximum Ratings for extended periods may reduce reliability. Functionality at or above these conditions is not implied.

**RECOMMENDED OPERATING CONDITIONS**

Parameter	Symbol	Min.	Typ.	Max.	Units
Power supply voltage	VDD, AVDD	4.75	5.00	5.25	V
Power supply current (including analog outputs)	IDD		150		mA
Input clock frequency	PXCK	-50ppm	27.00	+50ppm	MHz
SCL clock frequency	f <sub>SCL</sub>			500	kHz
Analog video output load			37.5		Ω
DAC gain resistor			769		Ω
Ambient operating temperature		0		70	°C

**VIDEO CHARACTERISTICS**

Parameter	Symbol	Min.	Typ.	Max.	Units
Luminance bandwidth (high)			6.16		MHz
Luminance bandwidth (medium)			4.34		MHz
Luminance bandwidth (low)			2.79		MHz
Chrominance bandwidth (Extended B/W mode)			1.3		MHz
Chrominance bandwidth (Reduced B/W mode)			650		kHz
Burst frequency (NTSC)			3.57954545		MHz
Burst frequency (PAL-B, D,G,H,I)			4.43361875		MHz
Burst frequency (PAL-M)			3.57561189		MHz
Burst frequency (PAL-N Argentina)			3.58205625		MHz
Burst cycles (NTSC and PAL-M,N)			9		Fsc cycles
Burst cycles (PAL-B, D, G, H,I)			10		Fsc cycles
Burst envelope rise / fall time (all standards)			300		ns
Analog video sync rise / fall time (NTSC and PAL-M,N)			145		ns
Analog video sync rise / fall time (PAL-B, D, G, H,I)			245		ns
Differential gain			1.0		% pk-pk
Differential phase			0.5		° pk-pk
Signal to noise ratio (unmodulated ramp)				-61	dB
Chroma AM signal to noise ratio (100% red field)				-56	dB
Chroma PM signal to noise ratio (100% red field)				-58	dB
Hue accuracy				2.5	%
Colour saturation accuracy				2.5	%
Residual sub carrier			-60		dB
Luminance / chrominance delay		-5	0	+5	ns

**ESD COMPLIANCE**

Pins	Test	Test Levels	Notes
All pins	Human body model	2kV on 100pF through 1k5Ω	Meets Mil-Std-883 Class 2
All pins	Machine model	200V on 200pF through 0Ω & 500nH	

VP5311C/VP5511C

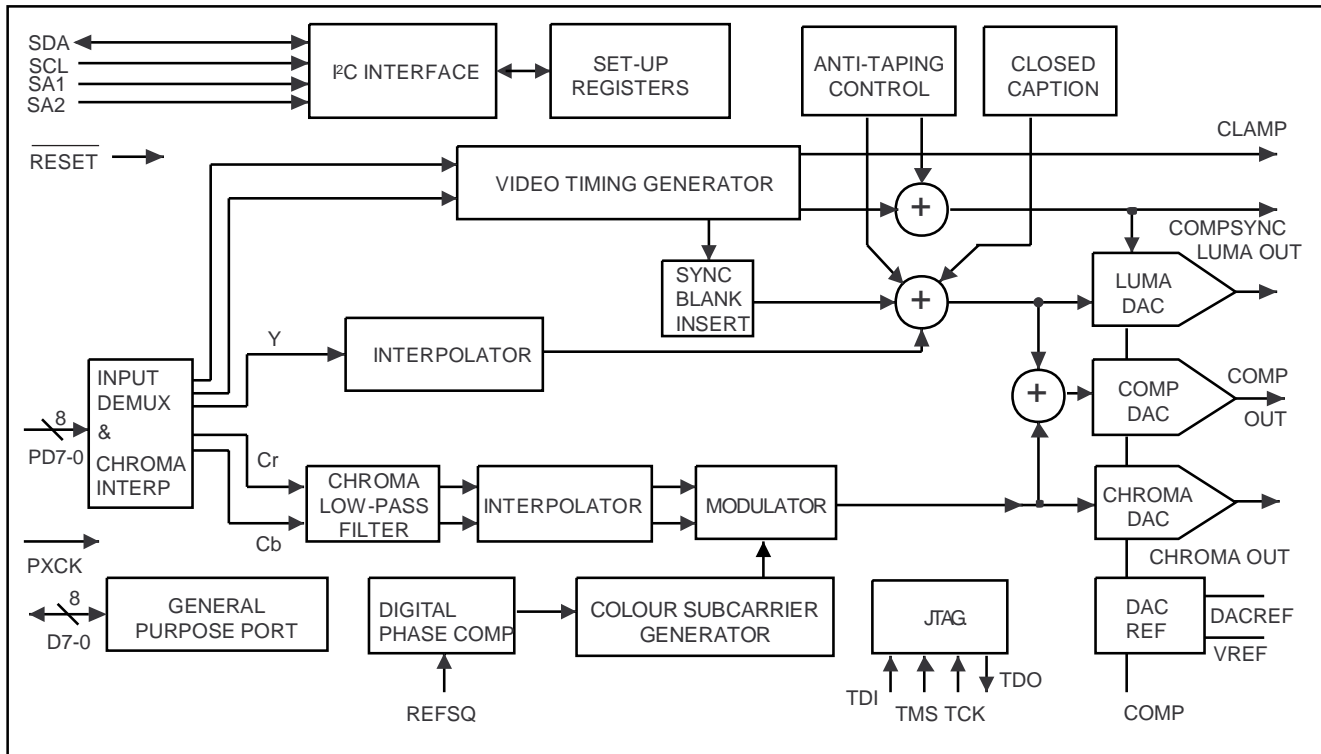


Fig.2 Functional block diagram of the VP5311C, the VP5511C is identical except there is no Anti-Taping Control

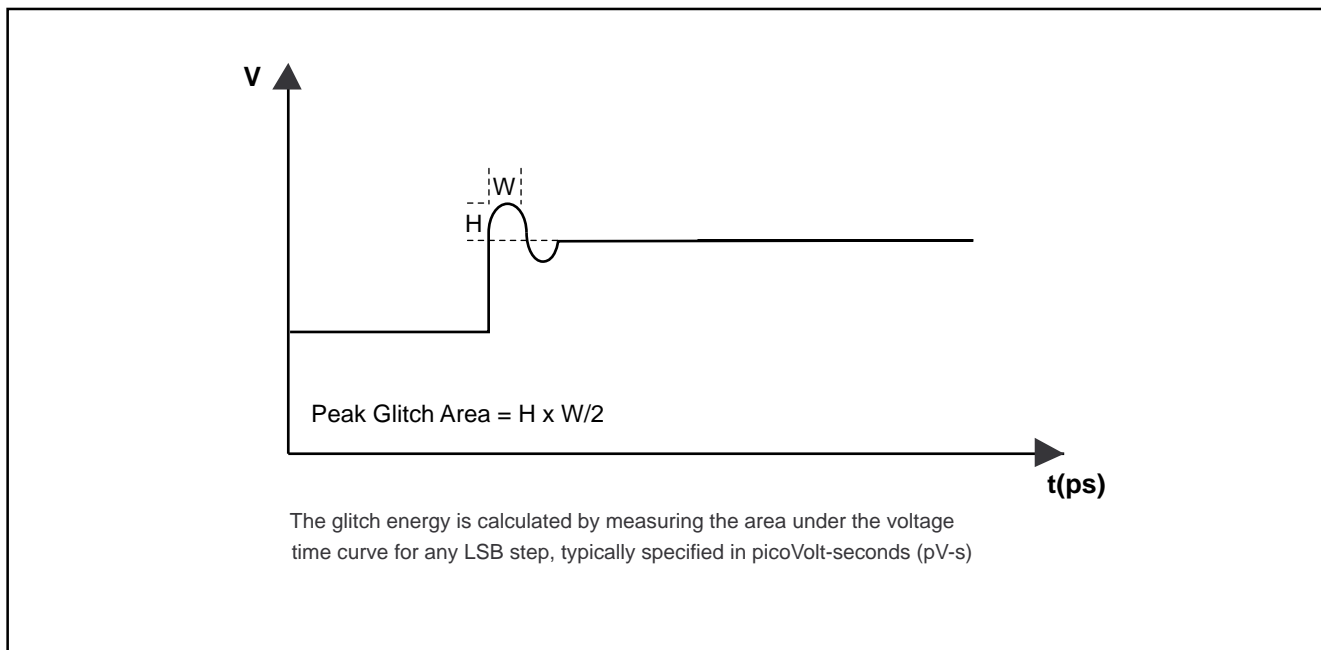


Fig.3 Glitch Energy

## PIN DESCRIPTIONS

Pin Name	Pin No.	Description
PD7-0	30 - 37	8 Bit Pixel Data inputs clocked by PXCK. PD0 is the least significant bit, corresponding to Pin 37. These pins are internally pulled low.
D0-7	1 - 8	8 Bit General Purpose Port input/output. D0 is the least significant bit, corresponding to Pin 1. These pins are internally pulled low.
PXCK	12	27MHz Pixel Clock input. The VP5311C/5511C internally divides PXCK by two to provide the pixel clock.
CLAMP	14	The CLAMP output signal is synchronised to COMPSYNC output and indicates the position of the BURST pulse, (lines 10-263 and 273-525 for NTSC and PAL-M; lines 6-310 and 319-623 for PAL-B,D, G,I,N(Argentina)).
COMPSYNC	15	Composite sync pulse output. This is an active low output signal.
TDO	16	JTAG Data output port.
TDI	17	JTAG Data input port.
TMS	18	JTAG mode select input.
TCK	19	JTAG clock input.
SA1	21	I <sup>2</sup> C slave address select
SA2	22	I <sup>2</sup> C slave address select.
SCL	23	Standard I <sup>2</sup> C bus serial clock input.
SDA	25	Standard I <sup>2</sup> C bus serial data input/output.
$\overline{\text{RESET}}$	27	Master reset. This is an asynchronous, active low, input signal and must be asserted for a minimum 200ns in order to reset the VP5311C/5511C.
REFSQ	28	Reference square wave input used only during Genlock mode.
VREF	41	Voltage reference input/output. This pin is nominally 1.055V and should be decoupled with a 100nF capacitor to GND.
DAC GAIN	42	DAC full scale current control. A resistor connected between this pin and GND sets the magnitude of the video output current. An internal loop amplifier controls a reference current flowing through this resistor so that the voltage across it is equal to the Vref voltage.
COMP	43	DAC compensation. A 100nF ceramic capacitor must be connected between pin 43 and pin 44.
LUMAOUT	45	True luminance, composite and chrominance video signal outputs. These are high impedance current source outputs. A DC path to GND must exist from each of these pins.
COMPOUT	47	
CHROMAOUT	49	
VDD	10, 13, 24, 26, 39	Positive supply input. All VDD pins must be connected.
AVDD	44, 50, 51, 52	Analog positive supply input. All AVDD pins must be connected.
GND	9, 11, 20, 29, 38	Negative supply input. All GND pins must be connected.
AGND	40, 46, 48	Negative supply input. All AGND pins must be connected.

# VP5311C/VP5511C

## REGISTERS MAP

See Register Details for further explanations.

ADDRESS hex	REGISTER NAME	7	6	5	4	3	2	1	0	R/W	DEFAULT hex
	BAR	RA7	RA6	RA5	RA4	RA3	RA2	RA1	RA0	W	
00	PART ID2	ID17	ID16	ID15	ID14	ID13	ID12	ID11	ID10	R	13
01	PART ID1	ID0F	ID0E	ID0D	ID0C	ID0B	ID0A	ID09	ID08	R	66
02	PART ID0	ID07	ID06	ID05	ID04	ID03	ID02	ID01	ID00	R	58
03	REV ID	REV7	REV6	REV5	REV4	REV3	REV2	REV1	REV0	R	06
04	GCR	-	-	YCDelay	RAMPEN	SLH&V	CVBSCLP	VFS1	VFS0	R/W	00
05	VOCR	-	CLAMPDIS	CHRBW	SYNCDIS	BURDIS	LUMDIS	CHRDIS	PEDEN	R/W	00
06	HANC	LBW1	LBW0	DF2	DF1	DF0	Reserved	Reserved	ACTREN	*	00
07	ANCID	AN7	AN6	AN5	AN4	AN3	AN2	AN1	PARITY	R/W	00
08	SC_ADJ	SC7	SC6	SC5	SC4	SC3	SC2	SC1	SC0	R/W	9C
09	FREQ2	FR17	FR16	FR15	FR14	FR13	FR12	FR11	FR10	R/W	87
0A	FREQ1	FR0F	FR0E	FR0D	FR0C	FR0B	FR0A	FR09	FR08	R/W	C1
0B	FREQ0	FR07	FR06	FR05	FR04	FR03	FR02	FR01	FR00	R/W	F1
0C	SCHPHM	-	-	-	-	-	-	-	SCH8	R/W	00
0D	SCHPHL	SCH7	SCH6	SCH5	SCH4	SCH3	SCH2	SCH1	SCH0	R/W	00
0E to 1F	Reserved										
20	GPPCTL	CTL7	CTL6	CTL5	CTL4	CTL3	CTL2	CTL1	CTL0	W	FF
21	GPPRD	RD7	RD6	RD5	RD4	RD3	RD2	RD1	RD0	R	-
22	GPPWR	WR7	WR6	WR5	WR4	WR3	WR2	WR1	WR0	W	00
23-33	Reserved										
34 to EF	Not used										
F0	CCREG1	-	F1W1D6	F1W1D5	F1W1D4	F1W1D3	F1W1D2	F1W1D1	F1W1D0	R/W	--
F1	CCREG2	-	F1W2D6	F1W2D5	F1W2D4	F1W2D3	F1W2D2	F1W2D1	F1W2D0	R/W	--
F2	CCREG3	-	F2W1D6	F2W1D5	F2W1D4	F2W1D3	F2W1D2	F2W1D1	F2W1D0	R/W	--
F3	CCREG4	-	F2W2D6	F2W2D5	F2W2D4	F2W2D3	F2W2D2	F2W2D1	F2W2D0	R/W	--
F4	CC_CTL	-	-	-	-	F2ST	F1ST	F2EN	F1EN	R/W	0C
F5 to F7	Reserved										
F8	HSOFFL	HSOFF7	HSOFF6	HSOFF5	HSOFF4	HSOFF3	HSOFF2	HSOFF1	HSOFF0	R/W	7E
F9	HSOFFM	-	-	-	-	-	-	HSOFF9	HSOFF8	R/W	00
FA	Reserved										
FB	SLAVE1	NCORSTD	VBITDIS	VSMODE	F_SWAP	SL_HS1	SL_HS0	HCNT9	HCNT8	R/W	00
FC	SLAVE2	HCNT7	HCNT6	HCNT5	HCNT4	HCNT3	HCNT2	HCNT1	HCNT0	R/W	00
FD	TEST1			REGISTER	RESERVED	FOR	TEST			R/W	
FE	TEST2			REGISTER	RESERVED	FOR	TEST			R/W	
FF	GPSCTL	FSC4SEL	GENDITH	GENLKEN	NOLOCK	PALIDEN	TSURST	CHRMCLIP	TRSEL	R/W	00

Table.1 Register map

NOTE \* For register HANC, bits 3, 4 and 5 are read only. Bits 1 and 2 are reserved. N/A = not applicable.  
For register PART ID0 the VP5511C value is AB

Standard	Lines/field	Field freq. Hz	Number of pixels/line at 27MHz	Horizontal freq. kHz. f <sub>H</sub>	Subcarrier freq. kHz. f <sub>sc</sub>	fsc/f <sub>H</sub>	SC_ADJ register hex	FREQ2-0 registers hex
NTSC (default)	525	59.94	1716	15.734266	3.57954545	(455/2)	xx	87 C1 F1
PAL-B, G, H, I	625	50	1728	15.625000	4.43361875	(1135/4+1/625)	9C	A8 26 2B
PAL-M	525	59.94	1716	15.734266	3.57561189	(909/4)	xx	87 9B C0
PAL-N (Argentina)	625	50	1728	15.625000	3.58205625	(917/4+1/625)	57	87 DA 51

xx = don't care.

Table.2 Line, field and subcarrier standards and register settings

The calculation of the FREQ register value is according to the following formula:-

$$FREQ = 2^{26} \times f_{sc}/PXCK \text{ hex, where } PXCK = 27.00\text{MHz}$$

Both NTSC and PAL-M values are rounded UP from the decimal number. PAL-B, D, G, H, I and N (Argentina) are rounded DOWN. The SC\_ADJ value is derived from the adjustment needed to be added after 8 fields to ensure accuracy of the Subcarrier frequency. Note the SC\_ADJ value of 9C required for PAL-B, D, G, H, I, is different to the default state of the register. In NTSC the NCO is reset at the end of every line, this can be disabled by setting the NCORSTD bit in SLAVE1, this allows the VP5311C to cope with line lengths that are not exactly as specified in REC656.

**REGISTER DETAILS**

**BAR**  
RA7-0 **Base register**  
Register address.

**PART ID 2-0**  
ID17-00 **Part number**  
Chip part identification (ID) number.

**REV ID**  
REV7-0 **Revision number**  
Chip revision ID number.

**GCR**  
YCDELAY **Global Control**  
Luma to Chroma delay.  
High = 37ns luma delay, this may be used to compensate for group delay in external filters.  
Low = normal operation (default).

RAMPEN  
Modulated ramp enable.  
High = ramp output for differential phase and gain measurements. A 27MHz clock must be applied to PXCK pin.  
Low = normal operation (default).

SLH&V  
CVBSCLMP 1 = Slave to HS and VS inputs  
1 = Enables clamp on composite output, to prevent flattening of chroma peaks and troughs.

VFS1-0 Video format select

VFS1	VFS0	
0	0	NTSC (default)
0	1	PAL-B,D,G,H,I,N(Argentina)
1	0	PAL-M
1	1	Reserved

**VOCR**  
CLAMPDIS **Video Output Control**  
High = Clamp signal disable  
Low = normal operation with clamp signal enabled (default).

CHRBW Chroma bandwidth select.  
High = ±1.3MHz.  
Low = ±650kHz (default)

SYNCDIS High = Sync disable (in composite video signal). COMPSYNC is not affected.  
Low = normal operation with sync enabled (default).

BURDIS High = Chroma burst disable.  
Low = normal operation, with burst enabled (default).

LUMDIS High = Luma input disable - force black level with synchronisation pulses maintained.  
Low = normal operation, with Luma input enabled (default).

CHRDIS High = Chroma input disable - force monochrome.  
Low = normal operation, with Chroma input enabled (default).

PEDEN High = Pedestal (set-up) enable a 7.5 IRE pedestal on lines 23-262 and 286-525. Valid for NTSC/PAL-M only

**HANC**  
LBW1-0 **Horizontal Ancillary Data Control**  
Luma filter control

LBW1	LBW0	-3dB Bandwidth
0	0	6.16MHz
0	1	4.34MHz
1	X	2.79MHz

DF2-0(read only) Digital Field Identification, 000=Field1  
ANCTREN Ancillary timing reference enable. When High use FIELD COUNT from ancillary data stream. When low, data is ignored.

**ANCID**  
AN7-1 Ancillary data ID  
Parity Parity bit (odd)  
Only ancillary data in REC 656 data stream with the same ID as this byte will be decoded by the VP5311C/VP5511C to produce H and V synchronisation and FIELD COUNT.

**SC\_ADJ**  
SC7-0 **Sub Carrier Adjust**  
Sub carrier frequency seed value, see table 2.

**FREQ2-0**  
FR17-00 **Sub carrier frequency**  
24 bit Sub carrier frequency programmed via I<sup>2</sup>C bus, see table 2. FREQ2 is the most significant byte (MSB).

**SCHPHM-L**  
SCH8-0 **Sub carrier phase offset**  
9 bit Sub carrier phase relative to the 50% point of the leading edge of the horizontal part of composite sync.  
SCHPHM bit 0 is the MSB. The nominal value is zero. This register is used to compensate for delays external to the VP5311C/VP5511C.

**GPPCTL**  
CTL7-0 **General purpose port control**  
Each bit controls port direction  
Low = output High = input

**GPPRD**  
RD7-0 **General purpose port read data**  
I<sup>2</sup>C bus read from general purpose port (only INPUTS defined in GPPCTL)

**GPPWR**  
WR7-0 **General purpose port write data**  
I<sup>2</sup>C bus write to general purpose port (only OUTPUTS defined in GPPCTL)

**CCREG1**  
F1W1D6-0 **Closed Caption register 1**  
Field one (line 21), first data byte

**CCREG2**  
F1W2D6-0 **Closed Caption register 2**  
Field one (line 21), second data byte

**CCREG3**  
F2W1D6-0 **Closed Caption register 3**  
Field two (line 284), first data byte



## VP5311C/VP5511C

<b>CCREG4</b> F2W2D6-0	<b>Closed Caption register 4</b> Field two (line 284), second data byte
<b>CC_CTL</b> F1ST	<b>Closed Caption control register</b> Field one (line 21) status High = data has been encoded Low = new data has been loaded to CCREG1-2
F2ST	Field two (line 284) status High = data has been encoded Low = new data has been loaded to CCREG3-4
F1EN	Closed Caption field one (line 21) High = enable Low = disable (default)
F2EN	Closed Caption field two (line 284) High = enable Low = disable (default)
<b>HSOFFM-L</b> HSOFF9-0	<b>HS offset</b> This is a 10 bit number which allows the user to offset the start of digital data input with reference to the pulse HS.
<b>SLAVE1</b> NCORSTD	<b>H &amp; V Slave mode control register</b> 1 = NCO Line Reset Disable (NTSC only)
VBITDIS	0 = Video blanked when Rec656 V bit set 1 = V bit is ignored
VSMODE	0 = Standard Vsync I/P 1 = Even/Odd Field I/P
F_SWAP SL_HS1-0 HCNT9-8	The odd and even fields are swapped Selects pixel sample (0 to 3) As HCNT7-0 but MSBs
<b>SLAVE2</b> HCNT7-0	<b>H &amp; V Slave position register</b> Adjusts for delay at which pixel data occurs relative to HS
<b>GPSCCTL</b> FSC4SEL	<b>GPS Control</b> When high, REFSQ = 4xFSC and GPP bit D6 is forced to become an input for a SCSYNC signal (high = reset), which provides a synchronous phase reset for FSC divider. Low = normal operation with REFSQ = 1xFSC. (default).
GENDITH	1 = Gen lock dither added.
GENLKEN	High = enable Genlock to REFSQ signal input. Low = internal subcarrier generation (default).
NOLOCK	Genlock status bit (read only) Low = Genlocked. High = cannot lock to REFSQ. This bit is cleared by reading and set again if lock cannot be attained.
PALIDEN	High = enable external PAL ID phase control and GPP bit D7 is forced to become an input for PAL ID switch signal, (GPP bit D7 - Low = +135°, High = -135°).

Low = normal operation, internal PAL ID phase switch is used (default).

TSURST High = chip soft reset. Registers are NOT reset to default values.  
Low = normal operation (default).

CHRMCLIP High = enable clipping of chroma data when luma goes below black level and is clipped.  
Low = no chroma clipping (default).

TRSEL High = master mode, GPP bits D0 - 4 are forced to become a video timing port with VS, HS and FIELD outputs.  
Low = slave mode, timing from REC656. or H & V slave if SLH&V bit set

### I<sup>2</sup>C BUS CONTROL INTERFACE

#### I<sup>2</sup>C bus address

A6	A5	A4	A3	A2	A1	A0	R/W
0	0	0	1	1	SA2	SA1	X

The serial microprocessor interface is via the bi-directional port consisting of a data (SDA) and a clock (SCL) line. It is compatible to the Philips I<sup>2</sup>C bus standard (Jan. 1992 publication number 9398 393 40011). The interface is a slave transmitter - receiver with a sub-address capability. All communication is controlled by the microprocessor. The SCL line is input only. The most significant bit (MSB) is sent first. Data must be stable during SCL high periods.

A bus free state is indicated by both SDA and SCL lines being high. START of transmission is indicated by SDA being pulled low while SCL is high. The end of transmission, referred to as a STOP, is indicated by SDA going from low to high while SCL is high. The STOP state can be omitted if a repeated START is sent after the acknowledge bit. The reading device acknowledges each byte by pulling the SDA line low on the ninth clock pulse, after which the SDA line is released to allow the transmitting device access to the bus.

The device address can be partially programmed by the setting of the pins SA1 and SA2. This allows the device to respond to one of four addresses, providing for system flexibility. The I<sup>2</sup>C bus address is seven bits long with the last bit indicating read / write for subsequent bytes.

The first data byte sent after the device address, is the sub-address - BAR (base address register). The next byte will be written to the register addressed by BAR and subsequent bytes to the succeeding registers. The BAR maintains its data after a STOP signal.

#### NTSC/PAL Video Standards

Both NTSC (4-field, 525 lines) and PAL (8-field, 625 lines) video standards are supported by the VP5311C/VP5511C. All raster synchronisation, colour sub-carrier and burst characteristics are adapted to the standard selected. The VP5311C/VP5511C generates outputs which follow the requirements of SMPTE 170M and CCIR 624 for PAL signals.

The device supports the following:  
NTSC,  
PAL B, D, G, H, I, N (Argentina) and M.



### Video Blanking

The VP5311C/VP5511C automatically performs standard composite video blanking. Lines 1-9, 264-272 inclusive, as well as the last half of line 263 are blanked in NTSC mode. In PAL mode, lines 1-5, 311-318, 624-625 inclusive, as well as the last half of line 623 are blanked.

The V bit within REC656 defines the video blanking when TRSEL (bit 0 of GPSCTL register) is set low. When in MASTER mode with TRSEL set high the video encoder is still enabled. Therefore if these lines are required to be blank they must have no video signal input.

### Interpolator

The luminance and chrominance data are separately passed through interpolating filters to produce output sampling rates double that of the incoming pixel rate. This reduces the sinx/x distortion that is inherent in the digital to analog converters and also simplifies the analog reconstruction filter requirements.

### Digital to Analog Converters

The VP5311C/VP5511C contains three 9 bit digital to analog converters which produce the analog video signals. The DACs use a current steering architecture in which bit currents are routed to one of two outputs; thus the DAC has true and complementary outputs. The complementary output is connected to GND internally. The use of identical current sources and current steering their outputs means that monotonicity is guaranteed. An on-chip voltage reference of 1.050V provides the necessary biasing. However, the VP5311C/VP5511C may be used in applications where an external 1V reference is provided on the VREF pin, to adjust the video levels. In this case, the external reference should be temperature compensated and provide a low impedance output.

The full-scale output currents of the DACs is set by an external 769Ω resistor between the DACGAIN and a GND pins. An on-chip loop amplifier stabilises the full-scale output current against temperature and power supply variations.

The analog outputs of the VP5311C/VP5511C are capable of directly driving singly terminated 75Ω loads. For this application the DACGAIN resistor is simply doubled.

### Luminance, Chrominance and Composite Video Outputs

The Luminance video output (LUMAOUT pin 45) drives a 37.5Ω load at 1.0V, sync tip to peak white. It contains only the luminance content of the image plus the composite sync pulses. In the NTSC mode, a set-up level offset can be added during the active video portion of the raster.

The Chrominance video output (CHROMAOUT pin 49) drives a 37.5Ω load at levels proportional in amplitude to the luma output (40 IRE pk-pk burst). This output has a fixed offset current which will produce approximately a 0.5V DC bias across the 37.5Ω load. Burst is injected with the appropriate timing relative to the luma signal.

The composite video output (COMPOUT pin 47) will also drive a 37.5Ω load at 1.0V, sync tip to peak white. It contains both the luminance and chrominance content of the signal plus the composite sync pulses.

The CVBS DAC output clipping feature limits the digital data going into the DAC so that if it goes outside the range it is limited to the maximum or minimum (511 or 000). This feature is permanently enabled.

When CVBSCLP in register GCR is set to a '1' an envelope

prediction circuit is enabled that establishes if the chroma and luma added together is likely to go outside the CVBS DAC limits. If it is, then a smooth rounding of the chroma peaks is made to stop this happening. This prevents any high frequency components being produced as with the default clipping function which will produce flat peaks. In practice there will be some loss of saturation in the colour.

Output sinx/x compensation filters are required on all video output, as shown in the typical application diagram, see figs. 8 & 9.

### Video Timing - Slave sync mode

The VP5311C/VP5511C has an internal timing generator which produces video timing signals appropriate to the mode of operation. In the default (following reset) slave mode, all timing signals are derived from the input clock, PXCK, which must be derived from a crystal controlled oscillator. Input pixel data is latched on the rising edge of the PXCK clock.

The video timing generator produces the internal blanking and burst gate pulses, together with the composite sync output signal, using timing data (TRS codes) from the Ancillary data in the REC656 input signal.

### H & V Slave Mode HCNT

To ensure that the incoming data is sampled correctly a 10 bit binary number (HCNT) has to be programmed into the SLAVE1 and 2 registers. This will allow the device's internal horizontal counter to align with the video data, each bit represents one 13.5MHz cycle. To calculate this use the formula below:

#### NTSC/PALM

$$\text{HCNT} = \text{SN} + 119 \quad (\text{SN} = 0 - 738)$$

$$\text{HCNT} = \text{SN} - 739 \quad (\text{SN} = 739 - 857)$$

#### PAL

$$\text{HCNT} = \text{SN} + 127 \quad (\text{SN} = 0 - 736)$$

$$\text{HCNT} = \text{SN} - 737 \quad (\text{SN} = 737 - 863)$$

where SN is Rec. 656/601 sample number on which the negative edge of HSYNC occurs.

### SL\_HS

A further adjustment is also required to ensure that the falling edge of HSYNC occurs on a Y sample that precedes a Cr sample. The bits SL\_HS1-0 introduce a delay of 0-3 27MHz samples in the CbYCrY sequence, failure to set this correctly will mean corruption of the colour or colour being interpreted as luma.

### F\_SWAP

If the field synchronisation is wrong it can be swapped by setting this bit.

### V\_SYNC

When set to a '1' this bit allows an odd/even square wave to provide the field synchronisation.

### Example

#### NTSC

HSYNC occurs on Rec656 sample 721 (end of active video), then;

$$\text{HCNT} = 721 + 119 = 839 = 348 \text{ Hex}$$

$$\text{SL\_HS} = 10 \text{ (for correct sample)}$$

## VP5311C/VP5511C

To set slave H & V the SLH&V bit should be set to '1' (reg 04).

### Video Timing - Master sync mode

When TRSEL (bit 0 of GPSCTL register) is set high, the VP5311C/5511C operates in a MASTER sync mode, all REC656 timing reference codes are ignored and GPP bits D0 - 4 become a video timing port with VS, HS and FIELD outputs. The PXCK signal is, however, still used to generate all internal clocks. When TRSEL is set high, the direction setting of bits 4 - 0 of the GPPCTL register is ignored.

VS is the start of the field sync datum in the middle of the equalisation pulses. HS is the line sync which is used by the preceding MPEG2 decoder to define when to output digital video data to the VP5311C/5511C.

### HS offset

The position of the falling edge of HS relative to the first data Cb0, can be programmed in HSOFFM-L registers, see figure 4, this is called the pipeline delay and may need adjusting for a particular application. This is done by programming a 10 bit number called HSOFF into the HSOFFM and HSOFFL registers, HSOFFM being the most significant two bits and HSOFFL the least significant eight bits. A default value of 07EH is held in the registers.

The value to program into HSOFF can be looked up in tables 3 & 4:

where Nck = number of 13.5MHz clock cycles between the falling edge of HS and Cb0 (first data I/P on PD7-0) see fig. 4.

Nck	HSOFF	Comment
0 to 120	126 to 6	HS normal (64 cks)
121 to 183	863 to 801	HS pulse shortened*
184 to 857	800 to 127	HS normal (64 cks)

Table.3 for NTSC and PAL-M

Nck	HSOFF	Comment
0 to 131	137 to 6	HS normal (64 cks)
132 to 194	869 to 807	HS pulse shortened*
195 to 863	806 to 138	HS normal (64 cks)

Table.4 for PAL-B, D, G, H, I, N

Decreasing HSOFF advances the HS pulse (numbers are in decimal).

\*HS pulse shortened means that the width of the pulse will be less than the normal 64 13.5MHz clock cycles.

The interruption in the sequence of values is because the HS signal is jumping across a line boundary to the previous line as the offset is increased. The register default value is 7EH and this sets Nck to 0, ie. the HS negative edge and Cb0 are co-incident in NTSC mode.

### Genlock using REFSQ input

The VP5311C/5511C can be Genlocked to another video source by setting GENLKEN high (in GPSCTL register) and feeding a phase coherent sub carrier frequency signal into REFSQ. Under normal circumstances, REFSQ will be the same frequency as the sub carrier. But by setting FSC4SEL

high (in GPSCTL register), a 4 x sub carrier frequency signal may be input to REFSQ. In this case, the Genlock circuit can be reset to the required phase of REFSQ, by supplying a pulse to SCSYNC (pin 7). The frequency of SCSYNC can be at sub carrier frequency, but once per line, or once per field could be adequate, depending on the application. When GENLKEN is set high, the direction setting of bit 6 in the GPPCTL register is ignored.

### PALID Input

When in Genlock mode with GENLKEN set high (in GPSCTL register), the VP5311/5511C requires a PAL phase identification signal, to define the correct phase on every line. This is supplied to PALID input (pin 8), High = -135° and low = +135°. The signal is asynchronous and should be changed before the sub carrier burst signal. PALID input is enabled by setting PALIDEN high (in GPSCTL register). When GENLKEN is high, the direction setting of bit 7 of the GPPCTL register is ignored

### Master Reset

The VP5311C/VP5511C must be initialised with the RESET pin 27. This is an asynchronous active low signal and must be active for a minimum of 200ns in order for the VP5311C/VP5511C to be reset. The device resets to line 254 in NTSC and line 301 in PAL and start of horizontal sync (i.e. line blanking active). There is no on-chip power on reset circuitry.

### Line 21 coding

Two bytes of data are coded on the line 21 of each field, see figure 7. In the NTSC Closed Caption service, the default state is to code on line 21 of field one only. An additional service can also be provided using line 21 (284) of the second field. The data is coded as NRZ with odd parity, after a clock run-in and framing code. The clock run-in frequency = 0.5034965MHz which is related to the nominal line period, D = H / 32.

$$D = 63.55555556 / 32\mu\text{s}$$

Two data bytes per field are loaded via I<sup>2</sup>C bus registers CCREG1-4. Each field can be independently enabled by programming the enable bits in the control register (CC\_CTL). The data is cleared to zero in the Closed Caption shift registers after it has been encoded by the VP5311C/VP5511C. Two status bits are provided (in CC\_CTL), which are cleared when data is written to the registers and set high when the data has been encoded on the Luma signal. The data is cleared to zero in the Closed Caption shift registers after it has been encoded by the VP5311C/VP5511C. The next data bytes must be written to the registers when the status bit goes high, otherwise the Closed Caption data output will contain Null characters. Null characters are invisible to a Closed Caption receiver. The MSB (bit 7) is the parity bit and is automatically added by the encoder.

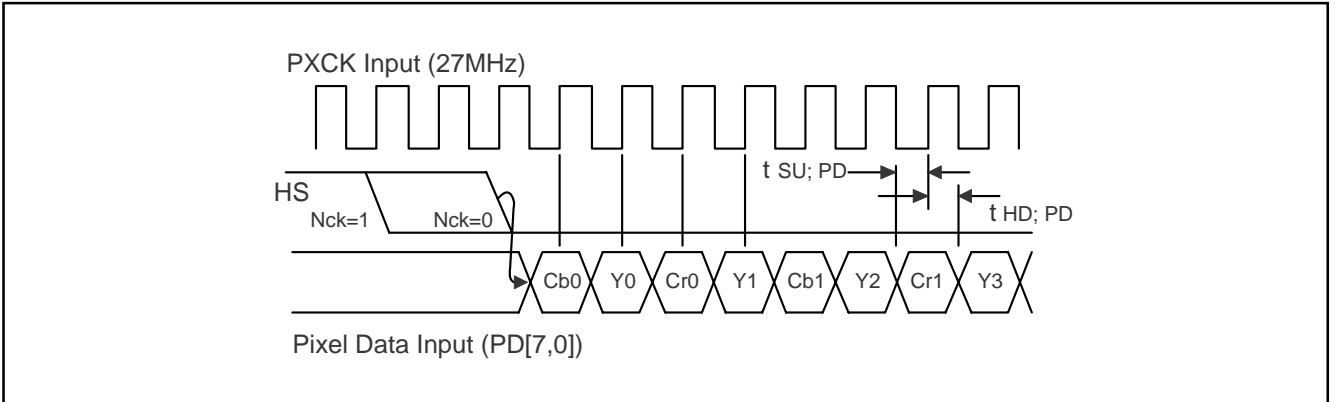


Fig.4 REC 656 interface with HS output timing

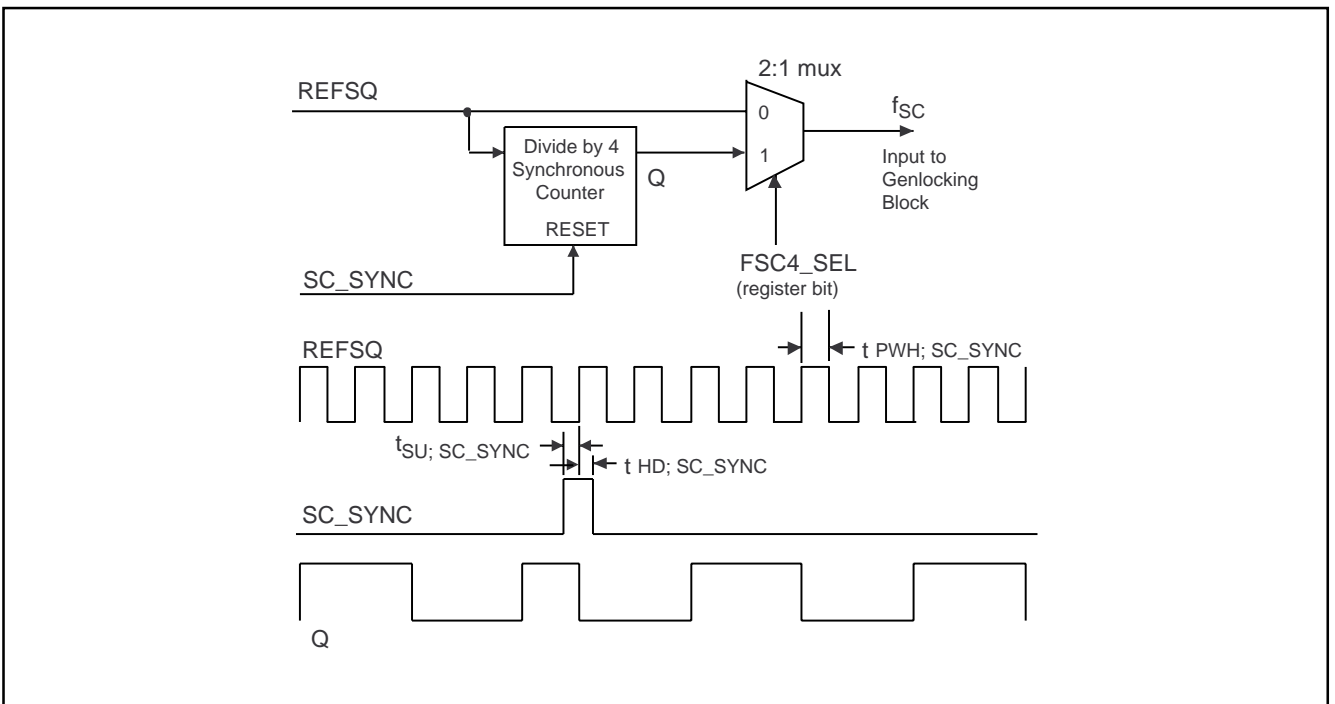


Fig.5 REFSQ and SC\_SYNC input timing

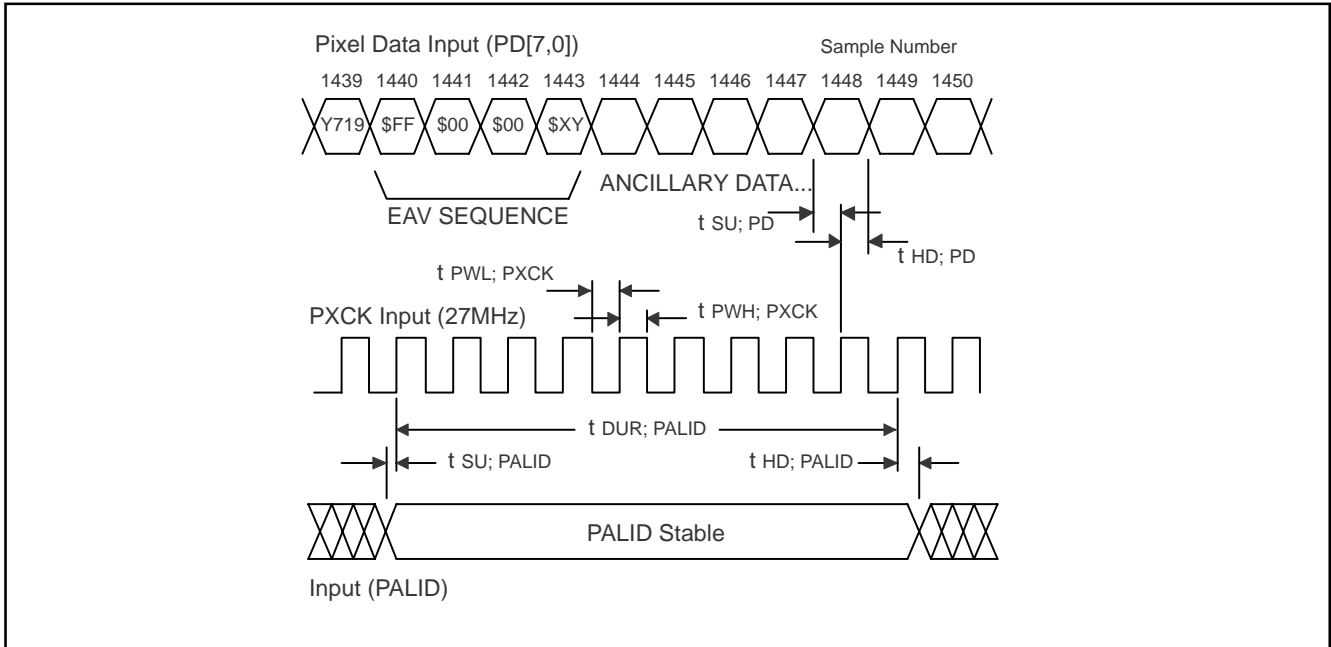


Fig.6 PALID input timing

**TIMING INFORMATION**

Parameters	Conditions	Symbol	Min.	Typ.	Max.	Units
Master clock frequency (PXCK input)		f <sub>PXCK</sub>		27.0		MHz
PXCX pulse width, HIGH		t <sub>PWH; PXCK</sub>	10			ns
PXCX pulse width, LOW		t <sub>PWL; PXCK</sub>	14.5			ns
PXCX rise time	10% to 90% points	t <sub>RP</sub>			TBD	ns
PXCX fall time	90% to 10% points	t <sub>FP</sub>			TBD	ns
PD7-0 set up time		t <sub>SU;PD</sub>	10			ns
PD7-0 hold time		t <sub>HD;PD</sub>	5			ns
SCSYNC set up time		t <sub>SU;SCSYNC</sub>	10			ns
SCSYNC hold time		t <sub>HD;SCSYNC</sub>	0			ns
PALID set up time		t <sub>SU;PALID</sub>	10			ns
PALID hold time		t <sub>HD;PALID</sub>	0			ns
PALID duration		t <sub>DUR;PALID</sub>	9			PXCX periods
Output delay	PXCK to COMPSYNC PXCK to CLAMP	t <sub>DOS</sub>			25	ns

Note: Timing reference points are at the 50% level. Digital C<sub>LOAD</sub> <40pF.

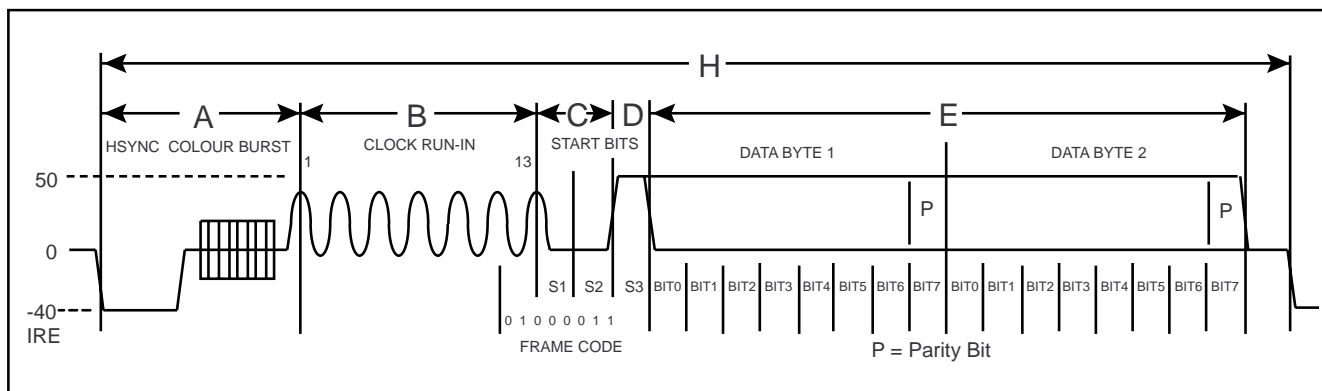


Fig.7 Closed Capation format

Interval	Description	Encoder minimum	Encoder nominal	Encoder maximum
A	H-sync to clock run-in	10.250µs	10.500µs	10.750µs
B	Clock run-in <sup>2, 3</sup>		6.5D (12.910µs)	
C	Clock run-in to third start bit <sup>3</sup>		2.0D (3.972µs)	
D	Data bit <sup>1, 3</sup>		1.0D (1.986µs)	
E	Data characters <sup>4</sup>		16.0D (31.778µs)	
H	Horizontal line <sup>1</sup>		32.0D (63.556µs)	
	Rise / fall time of data bit transitions <sup>5</sup>		0.240µs	0.288µs
	Data bit high (logic level one) <sup>6</sup>	48 IRE	50 IRE	52 IRE
	Clock run-in maximum			
	Data bit low (logic level zero) <sup>6</sup>	0 IRE	0 IRE	2 IRE
	Clock run-in minimum			
	Data bit differential (high - low)	48 IRE	50 IRE	52 IRE
	Clock run-in differential (max. - min)			

Table. 5 Closed Caption data timing. (source EIA R - 4.3 Sept 16 1992)

Notes

1. The Horizontal line frequency  $f_H$  is nominally 15734.26Hz  $\pm$ 0.05Hz. Interval D shall be adjusted to  $D = 1/(f_H \times 32)$  for the instantaneous  $f_H$  at line 21.
2. The clock run-in signal consists of 7.0 cycles of a 0.5034965MHz (1/D) sine wave when measured from the leading to trailing 0 IRE points. The sine wave is to be symmetrical about the 25 IRE level.
3. The negative going midpoints (half amplitude) of the clock run-in shall be coherent with the midpoints (half amplitude) of the Start and Data bit transitions.
4. Two characters, each consisting of 7 data bits and 1 odd parity bit.
5. 2 T Bar, measured between the 10% and 90% amplitude points.
6. The clock run-in maximum level shall not differ from the data bit high level by more than  $\pm 1$  IRE. The clock run-in minimum level shall not differ from the data bit low level by more than  $\pm 1$  IRE.

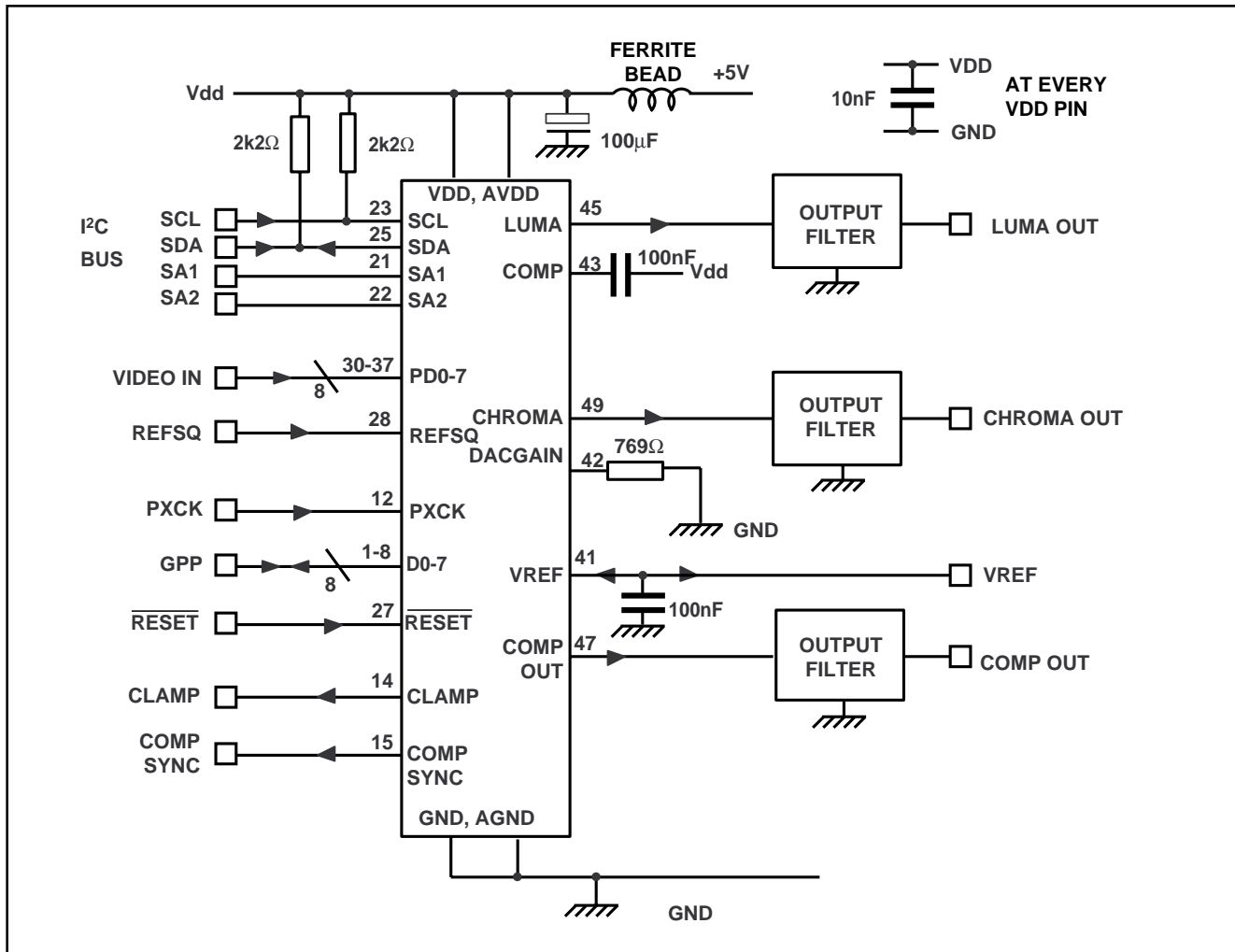


Fig.8 Typical application diagram, SLAVE mode. (Output filter - see Fig.9)

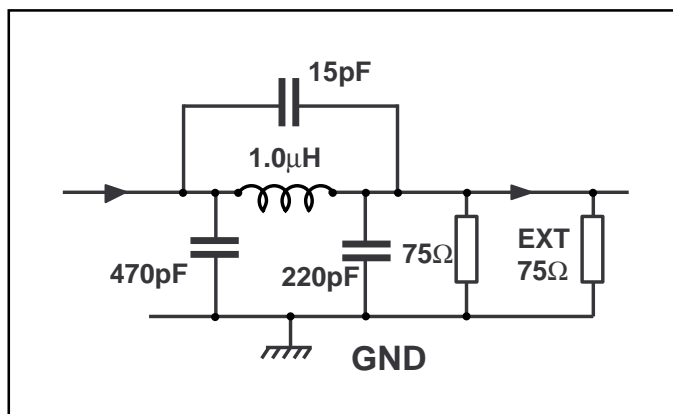


Fig.9 Output reconstruction filter

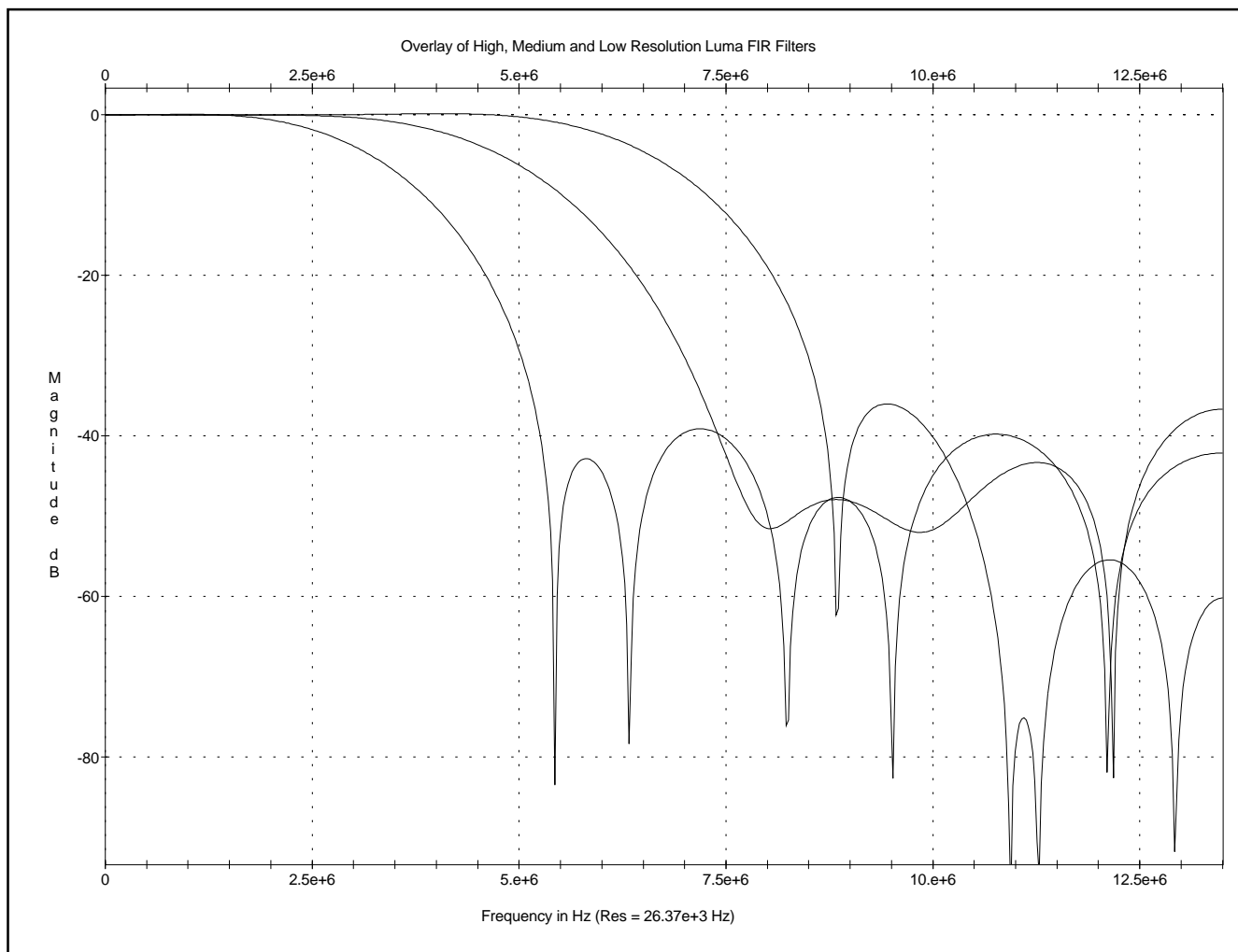


Fig.10 Response of Switchable Luma Filter

**Switchable Luma Filter**

The internal luma interpolation filter can be set to three different frequency responses; low, medium and high, the latter being the default setting. Fig.10 above shows the three responses and Table.6 below shows important performance parameters.

Filter Setting	-3dB point MHz	Pass Band MHz	Pass Band Ripple dB	Stop Band dB
Low	2.79	1.36	0.052	-40 @ 5.3MHz
Medium	4.34	2.17	0.058	-35 @ 7.2MHz
High	6.16	4.86	0.138	-36 @ 8.6MHz

Table. 6 Luma Filter Performance

**Note:**

The VP5311C is only available to customers with a valid and existing authorisation to purchase issued by MACROVISION CORPORATION.

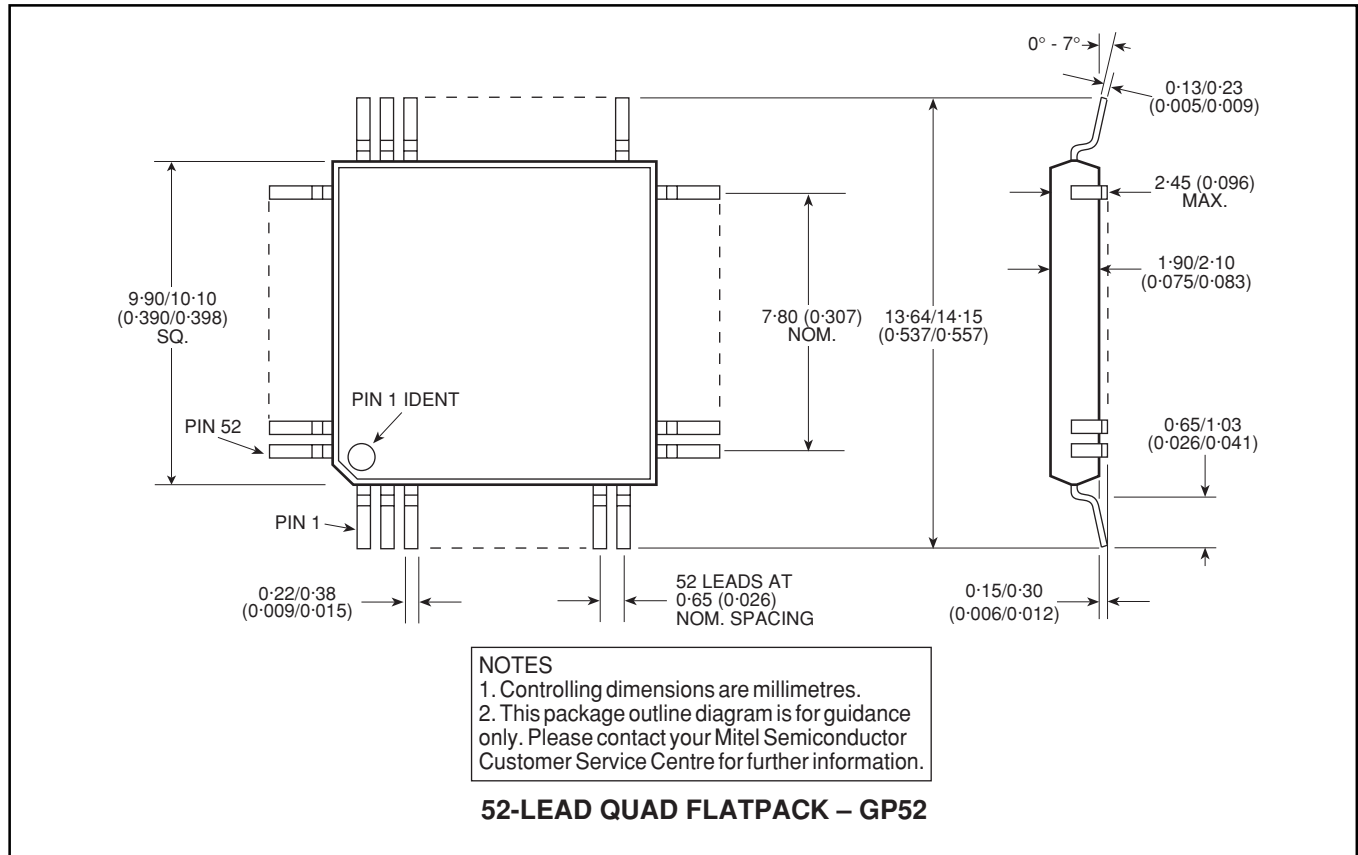
This device is protected by U.S. patent numbers 4631603, 4577216 and 4819098 and other intellectual property rights. Use of the Macrovision anticopy process in the device is licensed by Macrovision for non-commercial, home and limited exhibition uses only. Reverse engineering or disassembly is prohibited.



# VP5311C/VP5511C

## PACKAGE DETAILS

Dimensions are shown thus: mm (in).



Purchase of Mitel Semiconductor I<sup>2</sup>C components conveys a licence under the Philips I<sup>2</sup>C Patent rights to use these components in an I<sup>2</sup>C System, provided that the system conforms to the I<sup>2</sup>C Standard Specification as defined by Philips



**SEMICONDUCTOR**

Internet: <http://www.mitelsemi.com>

### CUSTOMER SERVICE CENTRES

- **FRANCE & BENELUX** Les Ulis Cedex  
Tel: (1) 69 18 90 00 Fax: (1) 64 46 06 07
- **GERMANY** Munich Tel: (089) 419508-20 Fax: (089) 419508-55
- **ITALY** Milan Tel: (02) 6607151 Fax: (02) 66040993
- **JAPAN** Tokyo Tel: (03) 5276-5501 Fax: (03) 5276-5510
- **KOREA** Seoul Tel: (2) 5668141 Fax: (2) 5697933
- **NORTH AMERICA** Scotts Valley, USA  
Tel: (408) 438 2900 Fax: (408) 438 5576/6231

- **SOUTH EAST ASIA** Singapore  
Tel: (65) 333 6193 Fax: (65) 333 6192
- **SWEDEN** Stockholm Tel: 46 8 702 97 70 Fax: 46 8 640 47 36
- **TAIWAN, ROC** Taipei Tel: 886 2 25461260 Fax: 886 2 27190260
- **UK, EIRE, DENMARK, FINLAND & NORWAY**  
Swindon Tel: (01793) 726666 Fax: (01793) 518582

These are supported by Agents and Distributors in major countries worldwide.

© Mitel Corporation 1998 Publication No. DS4773 Issue No. 2.3 March 1998 TECHNICAL DOCUMENTATION – NOT FOR RESALE. PRINTED IN UNITED KINGDOM

This publication is issued to provide information only which (unless agreed by the Company in writing) may not be used, applied or reproduced for any purpose nor form part of any order or contract nor to be regarded as a representation relating to the products or services concerned. No warranty or guarantee express or implied is made regarding the capability, performance or suitability of any product or service. The Company reserves the right to alter without prior notice the specification, design or price of any product or service. Information concerning possible methods of use is provided as a guide only and does not constitute any guarantee that such methods of use will be satisfactory in a specific piece of equipment. It is the user's responsibility to fully determine the performance and suitability of any equipment using such information and to ensure that any publication or data used is up to date and has not been superseded. These products are not suitable for use in any medical products whose failure to perform may result in significant injury or death to the user. All products and materials are sold and services provided subject to the Company's conditions of sale, which are available on request.

All brand names and product names used in this publication are trademarks, registered trademarks or trade names of their respective owners.