

Voltage Controlled Crystal Oscillator

- 13.85x8.6x5.0mm SMD package
- Up to 160 MHz or higher upon request.
- TTL/CMOS or Sine wave output
- Metal cover, FR-4 PCB based.
- Broad range of Pullability specifications

VO403

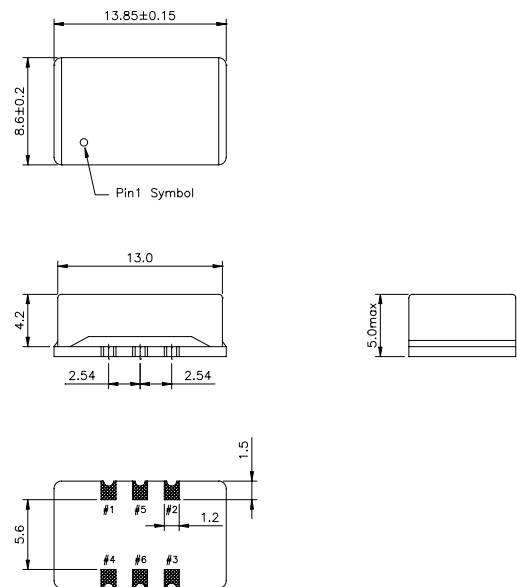
Specifications:

Frequency Range:	1.5 MHz ~ 160 MHz	
Operating Temperature:	-10°C ~ +60°C	- B
	-20°C ~ +70°C	- C
	-30°C ~ +80°C	- D
	-40°C ~ +85°C	- L
Storage Temperature:	-40°C ~ +125°C	
Stability Vs. Temperature:	± 25ppm max	- 25
	± 30ppm max	- 30
	± 50ppm max	- 50
Vs. Input Voltage:	± 5ppm ± 5%	
Pulling Range:	± 100 ppm	- Standard
Control Voltage:	0.5V to 4.5V (VDD=5V)	
	0.3V to 3.0V (VDD=3.3V)	
Output Waveform	TTL/50±5%	- A
	HCMOS/15pF/50±5%	- J
	HCMOS/50pF/50±5%	- F
Rise/Fall Time	8ns max (2MHz ~ 20MHz)	
	5ns max (20MHz ~ 60MHz)	
	3ns max (60MHz ~ 160MHz)	
Current Consumption: (max)	VDD: 5.0V	VDD: 3.3V
	1.5MHz ~ 20MHz	30mA 20mA
	20MHz ~ 60MHz	40mA 30mA
	60MHz ~ 160MHz	50mA 30mA
Supply Voltage:	3.3V ± 10%	- Standard
	5.0V ± 10%	- P

Note:

1. Other frequencies, stabilities, and operating temperature ranges available. Consult VTC Support for specific requirements.
2. Not all combinations of the above, stabilities, and temperature ranges are available. Consult VTC Support if your requirement is not standard.
3. All specifications subject to change without notice.

VO-K



Pin	Configurations
#1	Vcon
#2	Ground
#3	Output
#4	Supply VDD
#5	Tri-State
#6	NC

All dimensions are in mm

Ordering Information

Product name + Temperature Code + Stability + Output Code + Pulling Range + VDD Code + Frequency.

i.e. VO403C25FP – 155.520MHz