

**Features**

- 184 Pin Registered 33,554,432 x 72 bit Organization DDR SDRAM Modules
- Utilizes High Performance 32M x 4 DDR SDRAM in TSOPII-66 Packages
- Single +2.5V (± 0.2V) Power Supply
- Programmable CAS Latency, Burst Length, and Wrap Sequence (Sequential & Interleave)
- Auto Refresh (CBR) and Self Refresh
- All Inputs, Outputs are SSTL-2 Compatible
- 4096 Refresh Cycles every 64 ms
- Serial Presence Detect (SPD)
- DDR SDRAM Performance

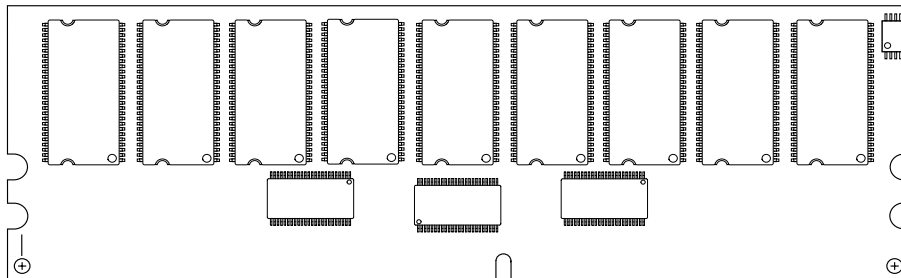
**Description**

The V827332N04S memory module is organized 33,554,432 x 72 bits in a 184 pin memory module. The 32M x 72 memory module uses 18 Mosel-Vitellic 32M x 4 DDR SDRAM. The x72 modules are ideal for use in high performance computer systems where increased memory density and fast access times are required.

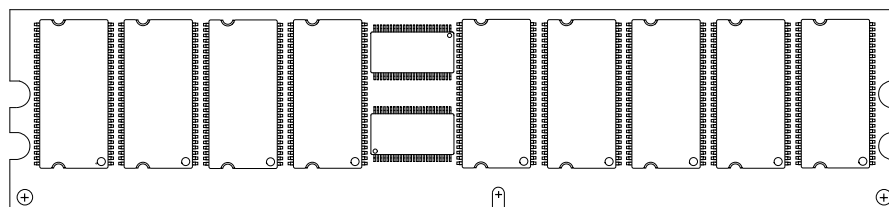
	Component Used	-7	-75	-8	Units
t <sub>CK</sub>	Clock Frequency (max.)	143 (PC266A)	133 (PC266B)	125 (PC200)	MHz
t <sub>AC</sub>	Clock Access Time CAS Latency = 2.5	7	7.5	8	ns

Module Speed	
A1	PC1600 (100MHz @ CL2)
B0	PC2100B (133MHz @ CL2.5)
B1	PC2100A (133MHz @ CL2)

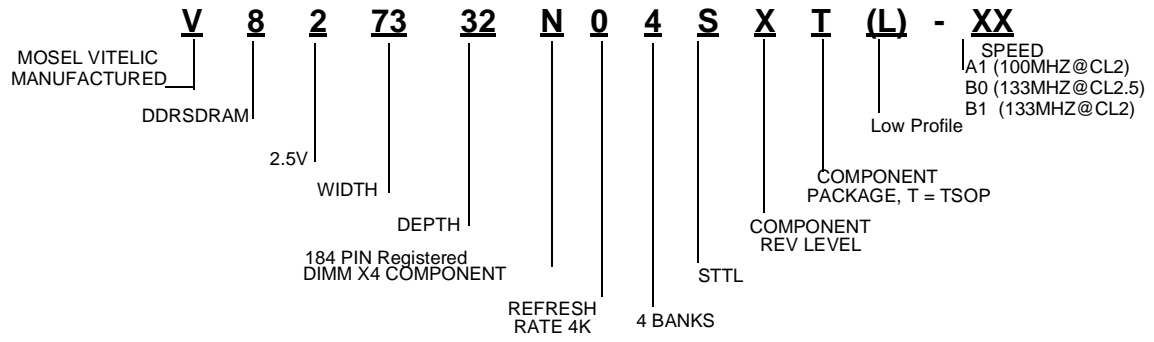
**Standard Module**



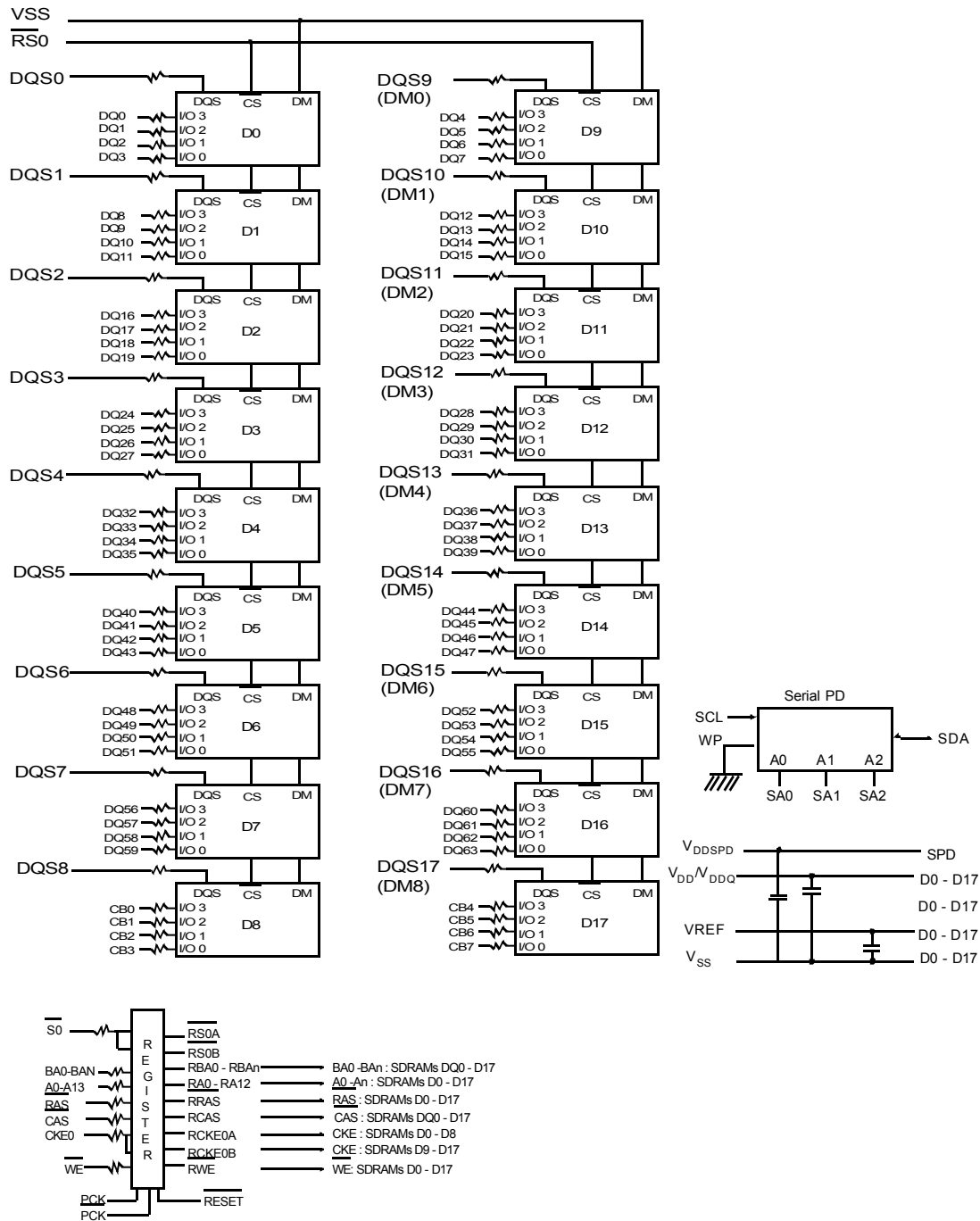
**Low Profile Module**



**Part Number Information**



Block Diagram



**Pin Configurations (Front Side/Back Side)**

Pin	Front	Pin	Front	Pin	Front	Pin	Back	Pin	Back	Pin	Back
1	VREF	32	A5	62	VDDQ	93	VSS	124	VSS	154	RAS
2	DQ0	33	DQ24	63	$\overline{WE}$	94	DQ4	125	A6	155	DQ45
3	VSS	34	VSS	64	DQ41	95	DQ5	126	DQ28	156	VDDQ
4	DQ1	35	DQ25	65	$\overline{CAS}$	96	VDDQ	127	DQ29	157	$\overline{CS0}$
5	DQS0	36	DQS3	66	VSS	97	DM0	128	VDDQ	158	$\overline{CS1}$
6	DQ2	37	A4	67	DQS5	98	DQ6	129	DM3	159	DM5
7	VDD	38	VDD	68	DQ42	99	DQ7	130	A3	160	VSS
8	DQ3	39	DQ26	69	DQ43	100	VSS	131	DQ30	161	DQ46
9	NC	40	DQ27	70	VDD	101	NC	132	VSS	162	DQ47
10	NC	41	A2	71	NC	102	NC	133	DQ31	163	NC
11	VSS	42	Vss	72	DQ48	103	A13*	134	CB4*	164	VDDQ
12	DQ8	43	A1	73	DQ49	104	VDDQ	135	CB5*	165	DQ52
13	DQ9	44	CB0*	74	VSS	105	DQ12	136	VDDQ	166	DQ53
14	DQS1	45	CB1*	75	$\overline{CK2}$	106	DQ13	137	$\overline{CK0}$ *	167	NC
15	VDDQ	46	VDD	76	CK2	107	DM1	138	$\overline{CK0}$ *	168	VDD
16	CK1	47	DQS8*	77	VDDQ	108	VDD	139	VSS	169	DM6
17	$\overline{CK1}$	48	A0	78	DQS6	109	DQ14	140	DM8*	170	DQ54
18	VSS	49	CB2*	79	DQ50	110	DQ15	141	A10	171	DQ55
19	DQ10	50	VSS	80	DQ51	111	CKE1	142	CB6*	172	VDDQ
20	DQ11	51	CB3*	81	VSS	112	VDDQ	143	VDDQ	173	NC
21	CKE0	52	BA1	82	VDDID	113	BA2*	144	CB7*	174	DQ60
22	VDDQ	Key		83	DQ56	114	DQ20	Key		175	DQ61
23	DQ16	53	DQ32	84	DQ57	115	A12*	145	VSS	176	VSS
24	DQ17	54	VDDQ	85	VDD	116	VSS	146	DQ36	177	DM7
25	DQS2	55	DQ33	86	DQS7	117	DQ21	147	DQ37	178	DQ62
26	VSS	56	DQS4	87	DQ58	118	A11	148	VDD	179	DQ63
27	A9	57	DQ34	88	DQ59	119	DM2	149	DM4	180	VDDQ
28	DQ18	58	VSS	89	VSS	120	VDD	150	DQ38	181	SA0
29	A7	59	BA0	90	NC	121	DQ22	151	DQ39	182	SA1
30	VDDQ	60	DQ35	91	SDA	122	A8	152	VSS	183	SA2
31	DQ19	61	DQ40	92	SCL	123	DQ23	153	DQ44	184	VDDSPD

**Pin Names**

Pin	Pin Description
CK1, $\overline{CK1}$ , CK2, $\overline{CK2}$	Differential Clock Inputs
$\overline{CS0}$	Chip Select Input
CKE0	Clock Enable Input
RAS, $\overline{CAS}$ , $\overline{WE}$	Command Sets Inputs
A0 ~ A11	Address
BA0, BA1	Bank Address
DQ0~DQ63	Data Inputs/Outputs
DQS0~DQS7	Data Strobe Inputs/Outputs
DM0~DM7	Data-in Mask

Pin	Pin Description
VDD	Power Supply
VDDQ	DQs Power Supply
VSS	Ground
VREF	Reference Power Supply
VDDSPD	Power Supply for SPD
SA0~SA2	E <sup>2</sup> PROM Address Inputs
SCL	E <sup>2</sup> PROM Clock
SDA	E <sup>2</sup> PROM Data I/O
VDDID	VDD Identification Flag
DU	Do not Use
NC	No Connection

**Serial Presence Detect Information**

Bin Sort:

A1 (PC1600 @ CL2)

B0 (PC2100B @ CL2.5)

B1 (PC2100A @ CL2)

Byte #	Function described	Function Supported			Hex value		
		A1	B0	B1	A1	B0	B1
0	Defines # of Bytes written into serial memory at module manufacturer	128bytes			80h		
1	Total # of Bytes of SPD memory device	256bytes			08h		
2	Fundamental memory type	SDRAM DDR			07h		
3	# of row address on this assembly	12			0Ch		
4	# of column address on this assembly	11			0Bh		
5	# of module Rows on this assembly	1 Bank			01h		
6	Data width of this assembly	72 bits			48h		
7	.....Data width of this assembly	-			00h		
8	VDDQ and interface standard of this assembly	SSTL 2.5V			04h		
9	DDR SDRAM cycle time at CAS Latency =2.5	8ns	7.5ns	7ns	80h	75h	70h
10	DDR SDRAM Access time from clock at CL=2.5	±0.8ns	±0.75n	±0.75n	80h	75h	75h
11	DIMM configuration type(Non-parity, Parity, ECC)	Non-parity, ECC			02h		
12	Refresh rate & type	15.6us & Self refresh			80h		
13	Primary DDR SDRAM width	x4			04h		
14	Error checking DDR SDRAM data width	x4			04h		
15	Minimum clock delay for back-to-back random column address	t <sub>CCD</sub> =1CLK			01h		
16	DDR SDRAM device attributes : Burst lengths supported	2,4,8			0Eh		
17	DDR SDRAM device attributes : # of banks on each DDR SDRAM	4 banks			04h		
18	DDR SDRAM device attributes : CAS Latency supported	2,2.5			0Ch		
19	DDR SDRAM device attributes : CS Latency	0CLK			01h		
20	DDR SDRAM device attributes : WE Latency	1CLK			02h		
21	DDR SDRAM module attributes	Registered address& control inputs and On-card DLL			26h		
22	DDR SDRAM device attributes : General	+/-0.2V voltage tolerance			00h		
23	DDR SDRAM cycle time at CL =2	10ns	10ns	7.5ns	A0h	A0h	75h
24	DDR SDRAM Access time from clock at CL =2	±0.8ns	±08n	±0.75	80h	80h	75h
25	DDR SDRAM cycle time at CL =1.5	-	-	-	00h		
26	DDR SDRAM Access time from clock at CL =1.5	-	-	-	00h		
27	Minimum row precharge time (=t <sub>RP</sub> )	20ns	20ns	18ns	50h	50h	48h
28	Minimum row activate to row active delay(=t <sub>R RD</sub> )	15ns	15ns	14ns	3Ch	3Ch	38h

**Serial Presence Detect Information (cont.)**

Byte #	Function described	Function Supported			Hex value		
		A1	B0	B1	A1	B0	B1
29	Minimum RAS to CAS delay(=t <sub>RCD</sub> )	20ns	20ns	18ns	50h	50h	48h
30	Minimum active to precharge time(=t <sub>RAS</sub> )	50ns	45ns	45ns	32h	2Dh	2Dh
31	Module Row density	256MB			40h		
32	Command and address signal input setup time	1.1ns	0.9ns	0.9ns	B0h	90h	90h
33	Command and address signal input hold time	1.1ns	0.9ns	0.9ns	B0h	90h	90h
34	Data signal input setup time	0.6ns	0.5ns	0.5ns	60h	50h	50h
35	Data signal input hold time	0.6ns	0.5ns	0.5ns	60h	50h	50h
36-40	Superset information (may be used in future)	-			00h		
41	SDRAM device minimum active to active/auto-refresh time (=t <sub>RC</sub> )	70ns	65ns	60ns	46h	41h	3Ch
42	SDRAM device minimum active to autorefresh to active/auto-refresh time (=t <sub>RFC</sub> )	80ns	75ns	67ns	50h	4Bh	43h
43	SDRAM device maximum device cycle time (=t <sub>CK MAX</sub> )	12ns	12ns	12ns	30h	30h	30h
44	SDRAM device maximum skew between DQS and DQ signals (=t <sub>DQSQ</sub> )	0.6ns	0.5ns	0.5ns	3Ch	32h	32h
45	SDRAM device maximum read datahold skew factor (=t <sub>QHS</sub> )	1ns	0.75ns	0.75ns	A0h	75h	75h
62	SPD data revision code	Initial release			00h		
63	Checksum for Bytes 0 ~ 62	-			F5	3B	DA
64	Manufacturer JEDEC ID code	Mosel Vitelic			40h		
65 -71	..... Manufacturer JEDEC ID code				00h		
72	Manufacturing location	02=Taiwan 05=China 0A=S-CH					
73-90	Module part number (ASCII)	V827332N04S					
91	Manufacturer revision code (For PCB)	0			00		
92	Manufacturer revision code (For component)	0			00		
93	Manufacturing date (Week)	-			-		
94	Manufacturing date (Year)	-			-		
95~98	Assembly serial #	-			-		
99~127	Manufacturer specific data (may be used in future)	Undefined			00h		
128~255	Open for customer use	Undefined			00h		

**DC Operating Conditions**

( $T_A = 0$  to  $70^\circ\text{C}$ , Voltage referenced to  $V_{SS} = 0\text{V}$ )

Parameter	Symbol	Min	Typ.	Max	Unit	Note
Power Supply Voltage	$V_{DD}$	2.3	2.5	2.7	V	
Power Supply Voltage	$V_{DDQ}$	2.3	2.5	2.7	V	1
Input High Voltage	$V_{IH}$	$V_{REF} + 0.15$	-	$V_{DDQ} + 0.3$	V	
Input Low Voltage	$V_{IL}$	-0.3	-	$V_{REF} - 0.15$	V	2
I/O Termination Voltage	$V_{TT}$	$V_{REF} - 0.04$	$V_{REF}$	$V_{REF} + 0.04$	V	
Reference Voltage	$V_{REF}$	1.15	1.25	1.35	V	3
Input Leakage Current	$I_I$	-2	-	2	$\mu\text{A}$	
Output Leakage Current	$IO_z$	-5	-	5	$\mu\text{A}$	
Output High Current ( $V_{OUT} = 1.95\text{V}$ )	$IO_H$	-16.8	-	-	mA	
Output Low Current ( $V_{OUT} = 0.35\text{V}$ )	$IO_L$	16.8	-	-	mA	

- Notes:**
- $V_{DDQ}$  must not exceed the level of  $V_{DD}$ .
  - $V_{IL}$  (min) is acceptable -1.5V AC pulse width with  $\delta$  5ns of duration.
  - The value of  $V_{REF}$  is approximately equal to  $0.5V_{DDQ}$ .

**AC Operating Conditions**

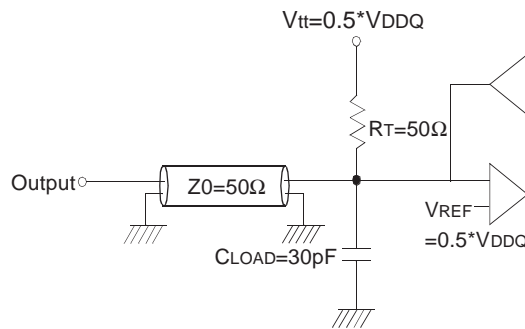
( $T_A = 0$  to  $70^\circ\text{C}$ , Voltage referenced to  $V_{SS} = 0\text{V}$ )

Parameter	Symbol	Min	Max	Unit	Note
Input High (Logic 1) Voltage, DQ, DQS and DM signals	$V_{IH(AC)}$	$V_{REF} + 0.31$		V	
Input Low (Logic 0) Voltage, DQ, DQS and DM signals	$V_{IL(AC)}$		$V_{REF} - 0.31$	V	
Input Differential Voltage, CK and $\overline{CK}$ inputs	$V_{ID(AC)}$	0.7	$V_{DDQ} + 0.6$	V	1
Input Crossing Point Voltage, CK and $\overline{CK}$ inputs	$V_{IX(AC)}$	$0.5 \cdot V_{DDQ} - 0.2$	$0.5 \cdot V_{DDQ} + 0.2$	V	2

- Notes:**
- $V_{ID}$  is the magnitude of the difference between the input level on CK and the input on  $\overline{CK}$ .
  - The value of  $V_{IX}$  is expected to equal  $0.5 \cdot V_{DDQ}$  of the transmitting device and must track variations in the DC level of the same.

**AC Operating Test Conditions** ( $T_A = 0$  to  $70^\circ\text{C}$ , Voltage referenced to  $V_{SS} = 0\text{V}$ )

Parameter	Value	Unit
Reference Voltage	$V_{DDQ} \times 0.5$	V
Termination Voltage	$V_{DDQ} \times 0.5$	V
AC Input High Level Voltage ( $V_{IH, \text{min}}$ )	$V_{REF} + 0.31$	V
AC Input Low Level Voltage ( $V_{IL, \text{max}}$ )	$V_{REF} - 0.31$	V
Input Timing Measurement Reference Level Voltage	$V_{REF}$	V
Output Timing Measurement Reference Level Voltage	$V_{TT}$	V
Input Signal maximum peak swing	1.5	V
Input minimum Signal Slew Rate	1	V/ns
Termination Resistor ( $R_T$ )	50	Ohm
Series Resistor ( $R_S$ )	25	Ohm
Output Load Capacitance for Access Time Measurement ( $C_L$ )	30	pF



Output Load Circuit (SSTL\_2)

**Input/Output Capacitance**

( $V_{DD} = 2.5\text{V}$ ,  $V_{DDQ} = 2.5\text{V}$ ,  $T_A = 25^\circ\text{C}$ ,  $f = 1\text{MHz}$ )

Parameter	Symbol	Min	Max	Unit
Input capacitance ( $A_0 \sim A_{11}$ , $BA_0 \sim BA_1$ , $\overline{RAS}$ , $\overline{CAS}$ , $\overline{WE}$ )	$C_{IN1}$	60	75	pF
Input capacitance ( $CKE_0$ )	$C_{IN2}$	40	48	pF
Input capacitance ( $\overline{CS}_0$ )	$C_{IN3}$	40	48	pF
Input capacitance ( $CLK_1$ , $CLK_2$ )	$C_{IN4}$	30	32	pF
Data & DQS input/output capacitance ( $DQ_0 \sim DQ_{63}$ )	$C_{OUT}$	10	12	pF
Input capacitance ( $DM_0 \sim DM_8$ )	$C_{IN5}$	10	12	pF



**DDR SDRAM  $I_{DD}$  SPEC TABLE**

Symbol	A1(PC1600@CL=2)		B0(PC2100B@CL=2.5)		B1(PC2100A@CL=2)		Unit
	Typical	Worst	Typical	Worst	Typical	Worst	
IDD0	1450	1440	1350	1440	1080	1170	mA
IDD1	1650	1710	1575	1710	1280	1395	mA
IDD2P	750	720	675	720	540	585	mA
IDD2F	895	945	655	945	720	765	mA
IDD2Q	830	810	765	810	630	675	mA
IDD3P	980	765	720	765	585	630	mA
IDD3N	900	990	900	990	720	810	mA
IDD4R	1980	2250	1980	2250	1620	1845	mA
IDD4W	2115	2385	2115	2385	1710	1890	mA
IDD5	2115	2385	2115	2385	1710	1890	mA
IDD6	Normal	36	36	36	36	36	mA
	Low power	18	18	18	18	18	mA
IDD7	3375	3825	3375	3825	2745	3150	mA

\* Module  $I_{DD}$  was calculated on the basis of component  $I_{DD}$  and can be differently measured according to DQ loading cap.

**Detailed test conditions for DDR SDRAM IDD1 & IDD**

**IDD1 : Operating current: One bank operation**

1. Typical Case : Vdd = 2.5V, T=25' C

2. Worst Case : Vdd = 2.7V, T= 10' C

3. Only one bank is accessed with tRC(min), Burst Mode, Address and Control inputs on NOP edge are changing once per clock cycle. Iout = 0mA

4. Timing patterns

- DDR200(100Mhz, CL=2) : tCK = 10ns, CL2, BL=4, tRCD = 2\*tCK, tRAS = 5\*tCK

Read : A0 N R0 N N P0 N A0 N - repeat the same timing with random address changing

\*50% of data changing at every burst

- DDR266B(133Mhz, CL=2.5) : tCK = 7.5ns, CL=2.5, BL=4, tRCD = 3\*tCK, tRC = 9\*tCK, tRAS = 5\*tCK

Read : A0 N N R0 N P0 N N A0 N - repeat the same timing with random address changing

\*50% of data changing at every burst

- DDR266A (133Mhz, CL=2) : tCK = 7.5ns, CL=2, BL=4, tRCD = 3\*tCK, tRC = 9\*tCK, tRAS = 5\*tCK

Read : A0 N N R0 N P0 N N A0 N - repeat the same timing with random address changing

\*50% of data changing at every burst

Legend : A=Activate, R=Read, W=Write, P=Precharge, N=NOP

**AC Characteristics** (AC operating conditions unless otherwise noted)

Parameter	Symbol	(PC2100A)		(PC2100B)		(PC1600)		Unit	Note	
		Min	Max	Min	Max	Min	Max			
Row Cycle Time	$t_{RC}$	60	-	65	-	70	-	ns		
Auto Refresh Row Cycle Time	$t_{RFC}$	67	-	75	-	80	-	ns		
Row Active Time	$t_{RAS}$	45	120K	48	120K	50	120K	ns		
Row Address to Column Address Delay	$t_{RCD}$	18	-	20	-	20	-	ns		
Row Active to Row Active Delay	$t_{RRD}$	14	-	15	-	15	-	ns		
Column Address to Column Address Delay	$t_{CCD}$	1	-	1	-	1	-	CLK		
Row Precharge Time	$t_{RP}$	18	-	20	-	20	-	ns		
Write Recovery Time	$t_{WR}$	15	-	15	-	15	-	ns		
Last Data-In to Read Command	$t_{DRL}$	1	-	1	-	1	-	CLK		
Auto Precharge Write Recovery + Precharge Time	$t_{DAL}$	35	-	35	-	35	-	ns		
System Clock Cycle Time	$t_{CK}$	$\overline{CAS}$ Latency = 2.5	7	12	7.5	12	8	12	ns	
		$\overline{CAS}$ Latency = 2	7.5	12	10	12	10	12	ns	
Clock High Level Width	$t_{CH}$	0.45	0.55	0.45	0.55	0.45	0.55	CLK		
Clock Low Level Width	$t_{CL}$	0.45	0.55	0.45	0.55	0.45	0.55	CLK		
Data-Out edge to Clock edge Skew	$t_{AC}$	-0.75	0.75	-0.75	0.75	-0.8	0.8	ns		
DQS-Out edge to Clock edge Skew	$t_{DQSCK}$	-0.75	0.75	-0.75	0.75	-0.8	0.8	ns		
DQS-Out edge to Data-Out edge Skew	$t_{DQSQ}$	-	0.5	-	0.5	-	0.6	ns		
Data-Out hold time from DQS	$t_{QH}$	$t_{HPmin}$ -0.75ns	-	$t_{HPmin}$ -0.75ns	-	$t_{HPmin}$ -0.75ns	-	ns	1	
Clock Half Period	$t_{HP}$	$t_{CH/L}$ min	-	$t_{CH/L}$ min	-	$t_{CH/L}$ min	-	ns	1	
Input Setup Time (fast slew rate)	$t_{IS}$	0.9	-	0.9	-	1.1	-	ns	2,3,5,6	
Input Hold Time (fast slew rate)	$t_{IH}$	0.9	-	0.9	-	1.1	-	ns	2,3,5,6	
Input Setup Time (slow slew rate)	$t_{IS}$	1.0	-	1.0	-	1.1	-	ns	2,4,5,6	
Input Hold Time (slow slew rate)	$t_{IH}$	1.0	-	1.0	-	1.1	-	ns	2,4,5,6	
Input Pulse Width	$t_{IPW}$	2.2	-	2.2	-	-	-	ns	6	
Write DQS High Level Width	$t_{DQSH}$	0.4	0.6	0.4	0.6	0.4	0.6	CLK		
Write DQS Low Level Width	$t_{DQSL}$	0.4	0.6	0.4	0.6	0.4	0.6	CLK		
CLK to First Rising edge of DQS-In	$t_{DQSS}$	0.75	1.25	0.75	1.25	0.75	1.25	CLK		
Data-In Setup Time to DQS-In (DQ & DM)	$t_{DS}$	0.5	-	0.5	-	0.6	-	ns	7	
Data-in Hold Time to DQS-In (DQ & DM)	$t_{DH}$	0.5	-	0.5	-	0.6	-	ns	7	
DQ & DM Input Pulse Width	$t_{DIPW}$	1.75	-	1.75	-	2	-	ns		
Read DQS Preamble Time	$t_{RPRE}$	0.9	1.1	0.9	1.1	0.9	1.1	CLK		
Read DQS Postamble Time	$t_{RPST}$	0.4	0.6	0.4	0.6	0.4	0.6	CLK		

**AC Characteristics (cont.)**

Parameter	Symbol	(PC2100A)		(PC2100B)		(PC1600)		Unit	Note
		Min	Max	Min	Max	Min	Max		
Write DQS Preamble Setup Time	$t_{WPRES}$	0	-	0	-	0	-	CLK	
Write DQS Preamble Hold Time	$t_{WPREH}$	0.25	-	0.25	-	0.25	-	CLK	
Write DQS Postamble Time	$t_{WPST}$	0.4	0.6	0.4	0.6	0.4	0.6	CLK	
Mode Register Set Delay	$t_{MRD}$	2	-	2	-	2	-	CLK	
Power Down Exit Time	$t_{PDEX}$	10	-	10	-	10	-	ns	
Exit Self Refresh to Non-Read Command	$t_{XSNR}$	75	-	75	-	80	-	ns	
Exit Self Refresh to Read Command	$t_{XSRD}$	200	-	200	-	200	-	CLK	8
Average Periodic Refresh Interval	$t_{REFI}$	-	15.6	-	15.6	-	15.6	us	

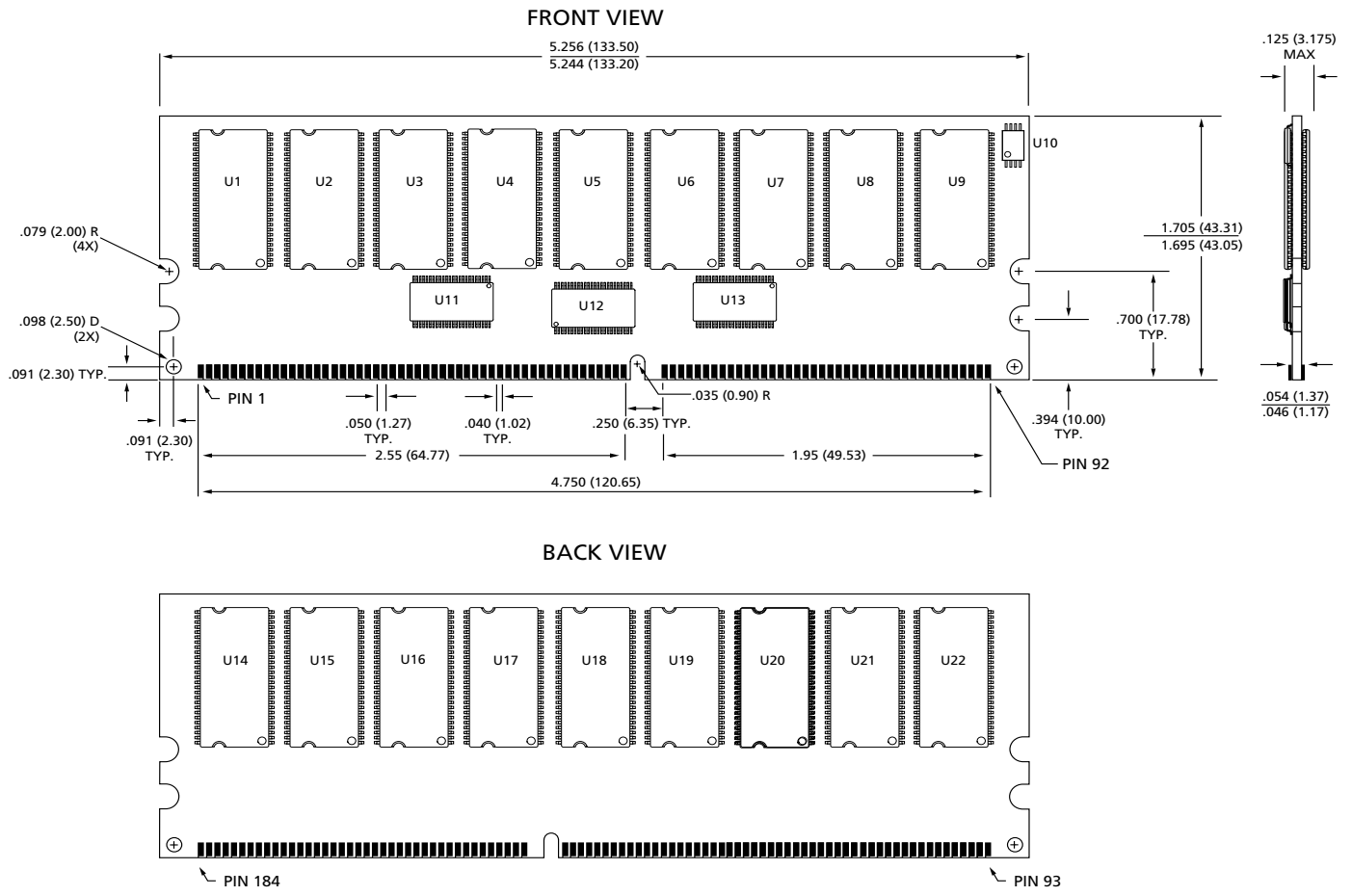
- Notes:**
1. This calculation accounts for  $t_{DQSQ(max)}$ , the pulse width distortion of on-chip circuit and jitter.
  2. Data sampled at the rising edges of the clock : A0~A11, BA0~BA1, CKE, CS, RAS, CAS, WE.
  3. For command/address input slew rate  $\geq 1.0V/ns$
  4. For command/address input slew rate  $\geq 0.5V/ns$  and  $< 1.0V/ns$
  5. CK,  $\overline{CK}$  slew rates are  $\geq 1.0V/ns$
  6. These parameters guarantee device timing, but they are not necessarily tested on each device, and they may be guaranteed by design or tester correlation.
  7. Data latched at both rising and falling edges of Data Strobes(DQS) : DQ, DM
  8. Minimum of 200 cycles of stable input clocks after Self Refresh Exit command, where CKE is held high, is required to complete Self Refresh Exit and lock the internal DLL circuit of DDR SDRAM.

**Absolute Maximum Ratings**

Parameter	Symbol	Rating	Unit
Ambient Temperature	$T_A$	0 ~ 70	°C
Storage Temperature	$T_{STG}$	-55 ~ 125	°C
Voltage on Any Pin relative to $V_{SS}$	$V_{IN}, V_{OUT}$	-0.5 ~ 3.6	V
Voltage on $V_{DD}$ relative to $V_{SS}$	$V_{DD}$	-0.5 ~ 3.6	V
Voltage on $V_{DDQ}$ relative to $V_{SS}$	$V_{DDQ}$	-0.5 ~ 3.6	V
Output Short Circuit Current	$I_{OS}$	50	mA
Power Dissipation	$P_D$	8	W
Soldering Temperature • Time	$T_{SOLDER}$	260 • 10	°C • Sec

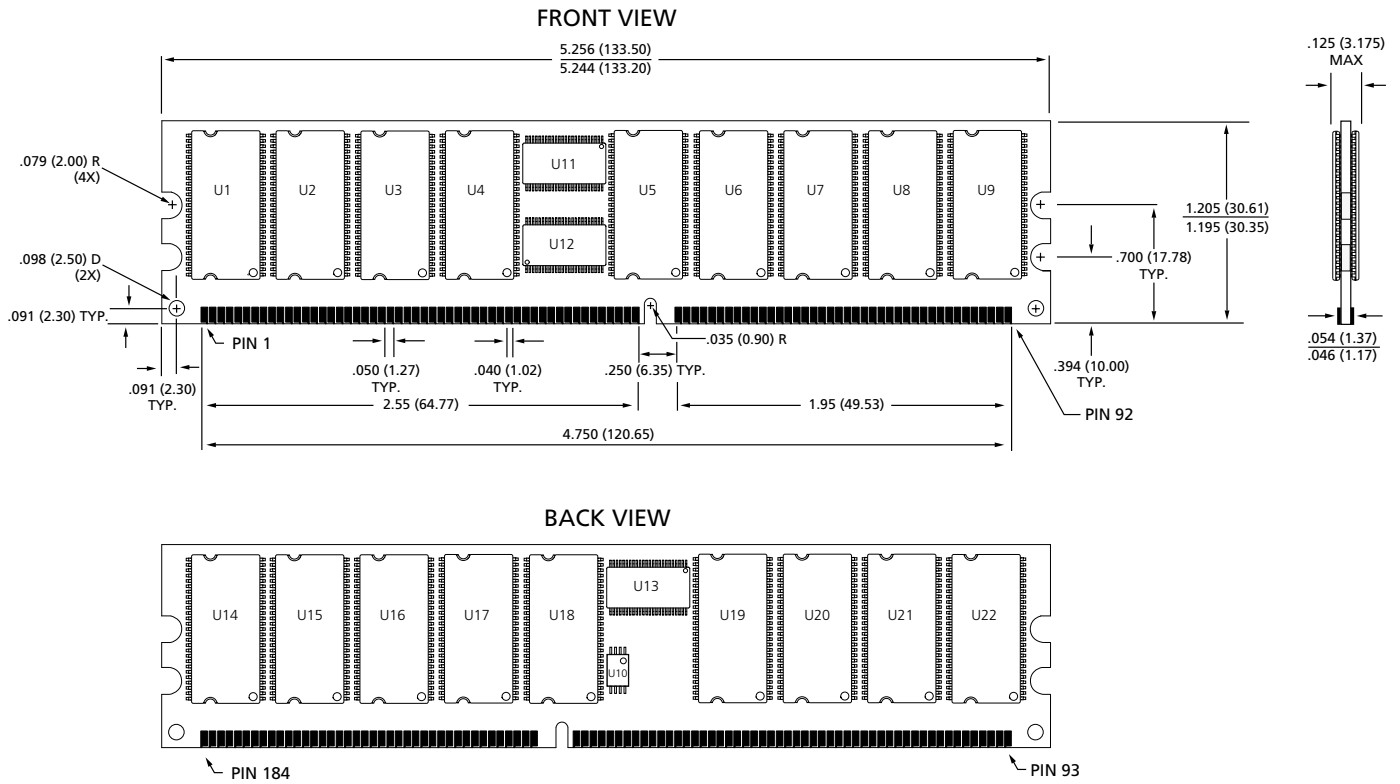
**Note:** Operation at above absolute maximum rating can adversely affect device reliability

**Module Dimensions (Standard)**



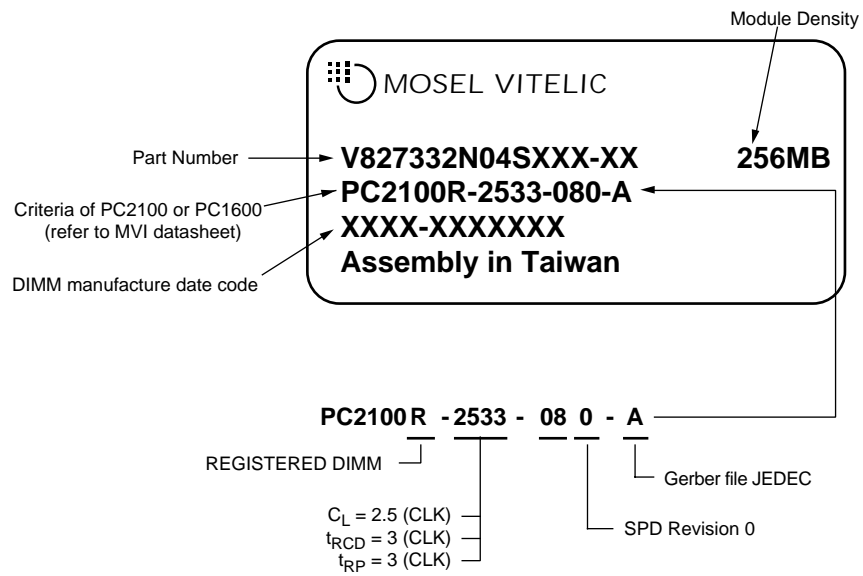
**NOTE:** 1. All dimensions in inches (millimeters)  $\frac{\text{MAX}}{\text{MIN}}$  or typical where noted.

**Module Dimensions (Low Profile)**



**NOTE:** 1. All dimensions in inches (millimeters) MAX or typical where noted.  
MIN

**Label Information**



**WORLDWIDE OFFICES****U.S.A.**

3910 NORTH FIRST STREET  
SAN JOSE, CA 95134  
PHONE: 408-433-6000  
FAX: 408-433-0952

**TAIWAN**

7F, NO. 102  
MIN-CHUAN E. ROAD, SEC. 3  
TAIPEI  
PHONE: 886-2-2545-1213  
FAX: 886-2-2545-1209

NO 19 LI HSIN ROAD  
SCIENCE BASED IND. PARK  
HSIN CHU, TAIWAN, R.O.C.  
PHONE: 886-3-579-5888  
FAX: 886-3-566-5888

**SINGAPORE**

10 ANSON ROAD #23-13  
INTERNATIONAL PLAZA  
SINGAPORE 079903  
PHONE: 65-6323-1801  
FAX: 65-6323-7013

**JAPAN**

ONZE 1852 BUILDING 6F  
2-14-6 SHINTOMI, CHUO-KU  
TOKYO 104-0041  
PHONE: 03-3537-1400  
FAX: 03-3537-1402

**UK & IRELAND**

SUITE 50, GROVEWOOD  
BUSINESS CENTRE  
STRATHCLYDE BUSINESS  
PARK  
BELLSHILL, LANARKSHIRE,  
SCOTLAND, ML4 3NQ  
PHONE: 44-1698-748515  
FAX: 44-1698-748516

**U.S. SALES OFFICES****WEST**

3910 NORTH FIRST STREET  
SAN JOSE, CA 95134  
PHONE: 408-433-6000  
FAX: 408-433-0952

**CENTRAL / EAST**

604 FIELDWOOD CIRCLE  
RICHARDSON, TX 75081  
PHONE: 214-352-3775  
FAX: 214-904-9029

---

The information in this document is subject to change without notice.

MOSEL VITELIC makes no commitment to update or keep current the information contained in this document. No part of this document may be copied or reproduced in any form or by any means without the prior written consent of MOSEL-VITELIC.

MOSEL VITELIC subjects its products to normal quality control sampling techniques which are intended to provide an assurance of high quality products suitable for usual commercial applications. MOSEL VITELIC does not do testing appropriate to provide 100% product quality assurance and does not assume any liability for consequential or incidental arising from any use of its products. If such products are to be used in applications in which personal injury might occur from failure, purchaser must do its own quality assurance testing appropriate to such applications.