

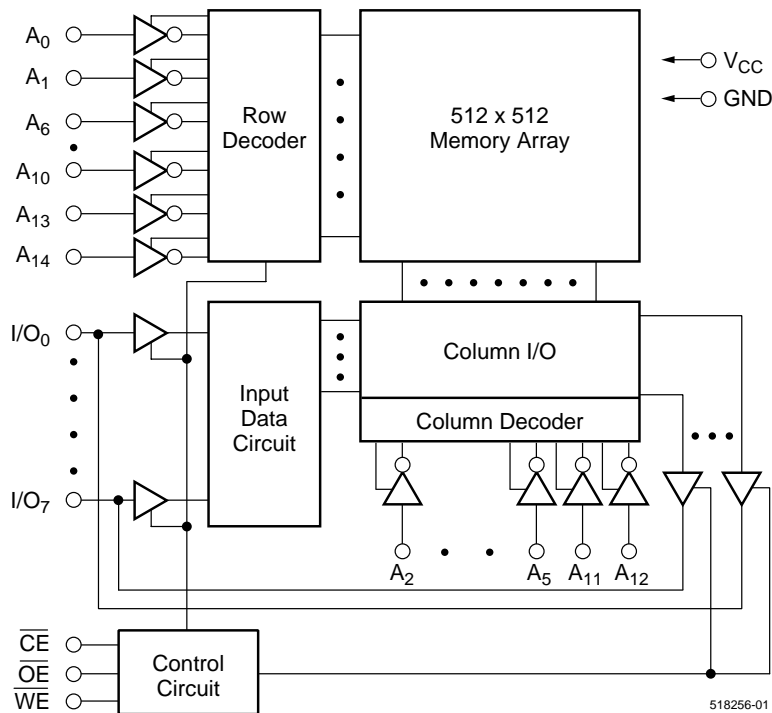
**Features**

- High-speed: 10, 12, 15 ns
- Low Power Dissipation:
  - CMOS Standby: 0.5 mA (Max.)
- Fully static operation
- All inputs and outputs directly compatible
- Three state outputs
- Ultra low data retention current ( $V_{CC} = 2V$ )
- Single  $5V \pm 10\%$  Power Supply
- Packages
  - 28-pin TSOP (Standard)
  - 28-pin 300 mil SOJ

**Description**

The V61C518256 is a 262,144-bit static random access memory organized as 32,768 words by 8 bits. It is built with MOSEL VITELIC's high performance CMOS process. Inputs and three-state outputs are TTL compatible and allow for direct interfacing with common system bus structures.

**Functional Block Diagram**



**Device Usage Chart**

Operating Temperature Range	Package Outline			Access Time (ns)			Temperature Mark
	T	N	R	10	12	15	
0°C to 70 °C	•	•	•	•	•	•	Blank

**Pin Descriptions**

**A<sub>0</sub>-A<sub>14</sub> Address Inputs**

These 15 address inputs select one of the 32,768 x 8 bit segments in the RAM.

**$\overline{CE}$  Chip Enable Inputs**

$\overline{CE}$  is an active LOW input. Chip Enable must be LOW when reading from or writing to the device. When HIGH, the device is in standby mode with I/O pins in the high impedance state.

**$\overline{OE}$  Output Enable Input**

The Output Enable input is active LOW. When  $\overline{OE}$  is LOW with  $\overline{CE}$  LOW and  $\overline{WE}$  HIGH, data of the selected memory location will be available on the I/O pins. When  $\overline{OE}$  is HIGH, the I/O pins will be in the high impedance state.

**$\overline{WE}$  Write Enable Input**

An active LOW input,  $\overline{WE}$  input controls read and write operations. When  $\overline{CE}$  and  $\overline{WE}$  inputs are both LOW, the data present on the I/O pins will be written into the selected memory location.

**I/O<sub>0</sub>-I/O<sub>7</sub> Data Input and Data Output Ports**

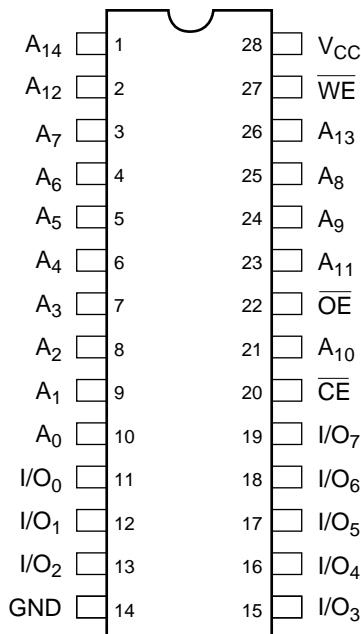
These 8 bidirectional ports are used to read data from and write data into the RAM.

**V<sub>CC</sub> Power Supply**

**GND Ground**

**Pin Configurations (Top View)**

**28-Pin SOJ**



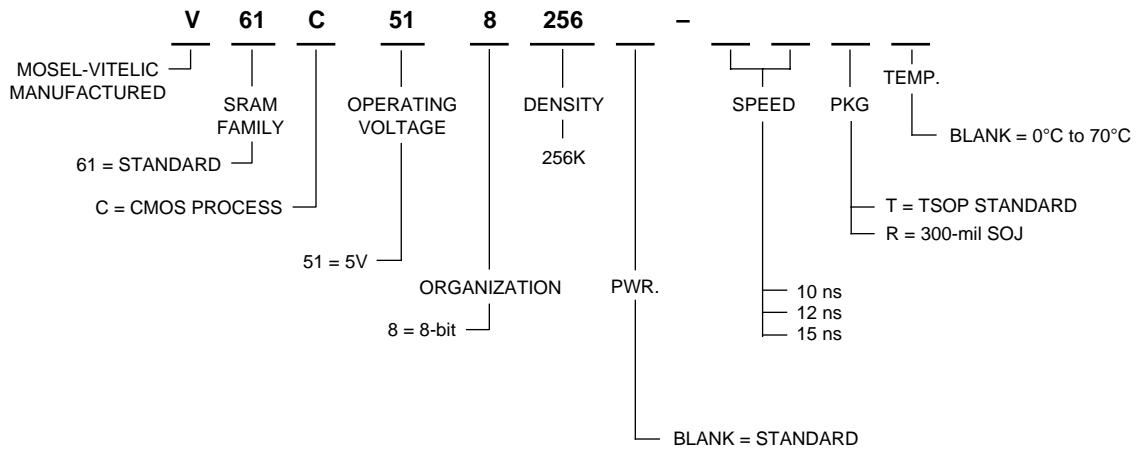
518256-01

**28-Pin TSOP (Standard)**



518256-03

**Part Number Information**



518256-05

**Absolute Maximum Ratings (1)**

Symbol	Parameter	Commercial	Units
V <sub>CC</sub>	Supply Voltage	-0.5 to +7	V
V <sub>N</sub>	Input Voltage	-0.5 to +7	V
V <sub>DQ</sub>	Input/Output Voltage Applied	V <sub>CC</sub> + 0.5	V
T <sub>BIAS</sub>	Temperature Under Bias	-55 to +85	°C
T <sub>STG</sub>	Storage Temperature	-55 to +125	°C

**NOTE:**

- Stresses greater than those listed under "Absolute Maximum Ratings" may cause permanent damage to the device. This is a stress rating only and functional operation of the device at these or any other conditions above those indicated in the operational sections of this specification is not implied. Exposure to absolute maximum rating conditions for extended periods may affect reliability.

**Capacitance\***

T<sub>A</sub> = 25°C, f = 1.0MHz

Symbol	Parameter	Conditions	Max.	Unit
C <sub>IN</sub>	Input Capacitance	V <sub>IN</sub> = 0V	6	pF
C <sub>OUT</sub>	Output Capacitance	V <sub>I/O</sub> = 0V	8	pF

**NOTE:**

\* This parameter is guaranteed by design and not tested.

**Truth Table**

Mode	CE	OE	WE	I/O Operation
Standby	H	X	X	High Z
Read	L	L	H	D <sub>OUT</sub>
Read	L	H	H	High Z
Write	L	X	L	D <sub>IN</sub>

**NOTE:**

X = Don't Care, L = LOW, H = HIGH

**DC Electrical Characteristics** (over all temperature ranges,  $V_{CC} = 5V \pm 10\%$ )

Symbol	Parameter	Test Conditions	Min.	Typ.	Max.	Units
$V_{IL}$	Input LOW Voltage <sup>(1,2)</sup>		-0.5	—	0.8	V
$V_{IH}$	Input HIGH Voltage <sup>(1)</sup>		2.2	—	6	V
$I_{IL}$	Input Leakage Current	$V_{CC} = \text{Max}, V_{IN} = 0V \text{ to } V_{CC}$	-5	—	5	$\mu\text{A}$
$I_{OL}$	Output Leakage Current	$V_{CC} = \text{Max}, \overline{CE} = V_{IH}, V_{OUT} = 0V \text{ to } V_{CC}$	-5	—	5	$\mu\text{A}$
$V_{OL}$	Output LOW Voltage	$V_{CC} = \text{Min}, I_{OL} = 8\text{mA}$	—	—	0.4	V
$V_{OH}$	Output HIGH Voltage	$V_{CC} = \text{Min}, I_{OH} = -4\text{mA}$	2.4	—	—	V

Symbol	Parameter	Com. <sup>(4)</sup>	Ind.	Units
$I_{CC1}$	Average Operating Current, $\overline{CE} \leq V_{IL}$ Output Open, $V_{CC} = \text{Max.}, f = f_{\text{MAX}}^{(3)}$	110	130	mA
$I_{SB}$	TTL Standby Current $\overline{CE} \geq V_{IH}, V_{CC} = \text{Max.}$	25	40	mA
$I_{SB1}$	CMOS Standby Current, $\overline{CE} \geq V_{CC} - 0.2V,$ $V_{IN} \geq V_{CC} - 0.2V \text{ or } V_{IN} \leq 0.2V, V_{CC} = \text{Max.}$	1	2	mA

**NOTES:**

1. These are absolute values with respect to device ground and all overshoots due to system or tester noise are included.
2.  $V_{IL}$  (Min.) = -3.0V for pulse width < 20ns.
3.  $f_{\text{MAX}} = 1/t_{\text{RC}}$ .
4. Maximum values.

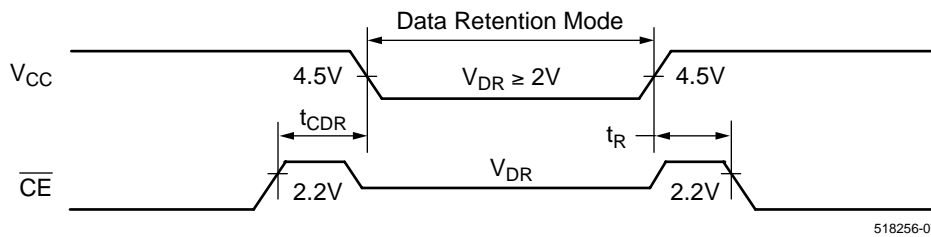
**Data Retention Characteristics**

Symbol	Parameter	Min.	Typ. <sup>(2)</sup>	Max.	Units
$V_{DR}$	$V_{CC}$ for Data Retention $\overline{CE} \geq V_{CC} - 0.2V$	2.0	—	5.5	V
$I_{CCDR}$	Data Retention Current $V_{DR} = 3.0V, \overline{CE} \geq V_{DR} - 0.2V$	Com'l	—	150	$\mu A$
		Ind.	—	200	
$t_{CDR}$	Chip Deselect to Data Retention Time	0	—	—	ns
$t_R$	Operation Recovery Time (see Retention Waveform)	$t_{RC}^{(1)}$	—	—	ns

**NOTES:**

- $t_{RC}$  = Read Cycle Time
- $T_A = +25^\circ C$ .

**Low  $V_{CC}$  Data Retention Waveform**



518256-07

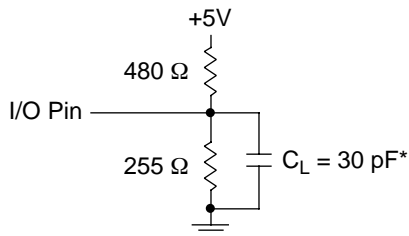
**AC Test Conditions**

Input Pulse Levels	0 to 3V
Input Rise and Fall Times	3 ns
Timing Reference Levels	1.5V
Output Load	see below

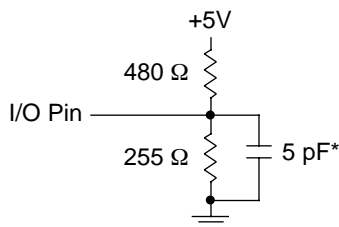
**Key to Switching Waveforms**

WAVEFORM	INPUTS	OUTPUTS
	MUST BE STEADY	WILL BE STEADY
	MAY CHANGE FROM H TO L	WILL BE CHANGING FROM H TO L
	MAY CHANGE FROM L TO H	WILL BE CHANGING FROM L TO H
	DON'T CARE: ANY CHANGE PERMITTED	CHANGING: STATE UNKNOWN
	DOES NOT APPLY	CENTER LINE IS HIGH IMPEDANCE "OFF" STATE

**AC Test Loads and Waveforms**



\* Includes scope and jig capacitance



Output load for  $t_{CLZ}, t_{CHZ}, t_{OHZ}, t_{OLZ}, t_{WZ}, t_{OW}$

518256-06

**AC Electrical Characteristics**

(over all temperature ranges)

**Read Cycle**

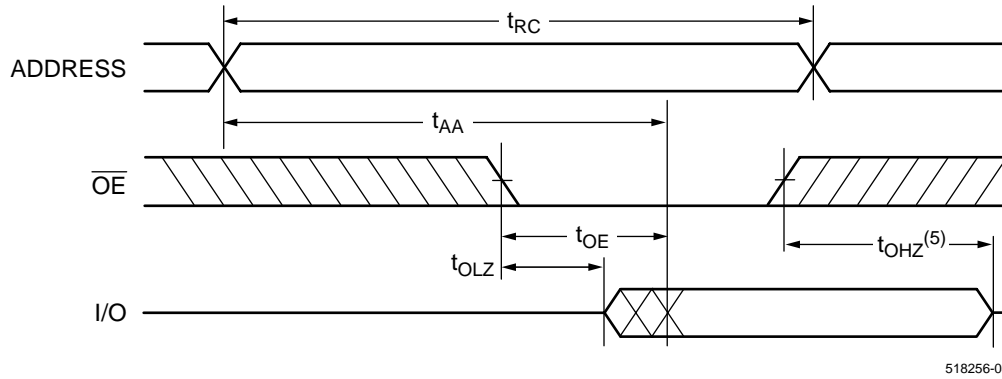
Parameter Name	Parameter	-10		-12		-15		Unit
		Min.	Max.	Min.	Max.	Min.	Max.	
$t_{RC}$	Read Cycle Time	10	—	12	—	15	—	ns
$t_{AA}$	Address Access Time	—	10	—	12	—	15	ns
$t_{ACS}$	Chip Enable Access Time	—	10	—	12	—	15	ns
$t_{OE}$	Output Enable to Output Valid	—	5	—	6	—	7	ns
$t_{CLZ}$	Chip Enable to Output in Low Z	2	—	3	—	3	—	ns
$t_{OLZ}$	Output Enable to Output in Low Z	0	—	0	—	0	—	ns
$t_{CHZ}$	Chip Disable to Output in High Z	0	2	0	3	0	4	ns
$t_{OHZ}$	Output Disable to Output in High Z	0	2	0	3	0	4	ns
$t_{OH}$	Output Hold from Address Change	2	—	3	—	3	—	ns

**Write Cycle**

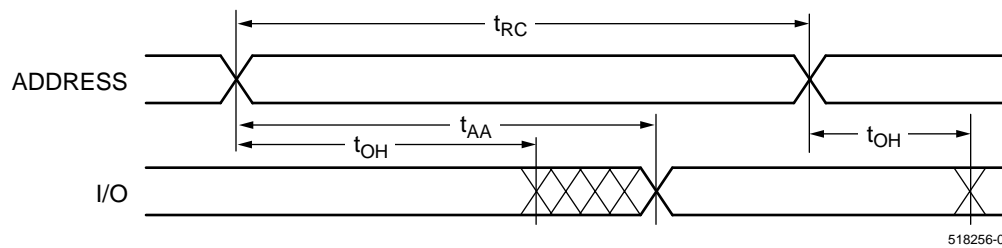
Parameter Name	Parameter	-10		-12		-15		Unit
		Min.	Max.	Min.	Max.	Min.	Max.	
$t_{WC}$	Write Cycle Time	10	—	12	—	15	—	ns
$t_{CW}$	Chip Enable to End of Write	9	—	10	—	12	—	ns
$t_{AS}$	Address Setup Time	0	—	0	—	0	—	ns
$t_{AW}$	Address Valid to End of Write	9	—	10	—	12	—	ns
$t_{WP}$	Write Pulse Width	8	—	9	—	11	—	ns
$t_{AH}$	Address Hold from End of Write	—	0.5	—	0.5	—	0.5	ns
$t_{WHZ}$	Write to Output High-Z	0	5	0	5	0	5	ns
$t_{DW}$	Data Setup to End of Write	6	—	7	—	8	—	ns
$t_{DH}$	Data Hold from End of Write	0	—	0	—	0	—	ns
$t_{OW}$	Output Active from End of Write	3	—	3	—	3	—	ns

**Switching Waveforms (Read Cycle)**

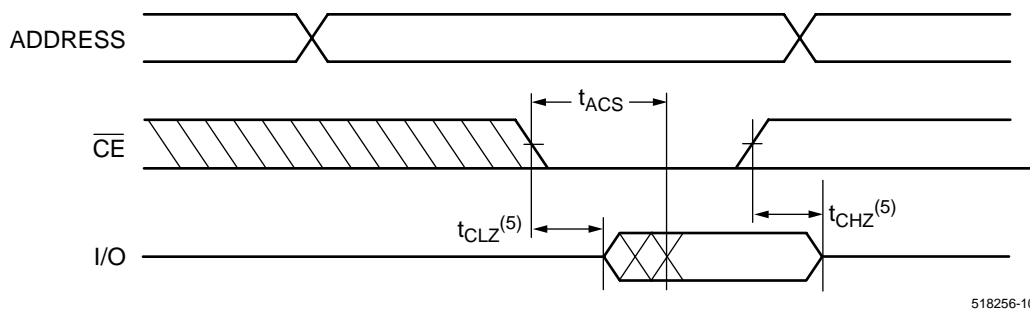
**Read Cycle 1<sup>(1, 2)</sup>**



**Read Cycle 2<sup>(1, 2, 4)</sup>**



**Read Cycle 3<sup>(1, 3, 4)</sup>**

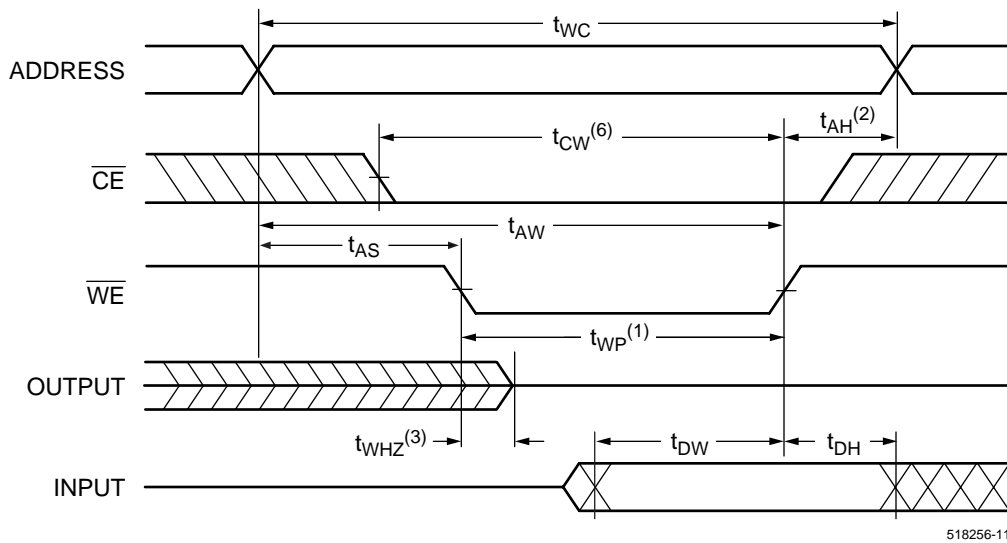


**NOTES:**

1.  $\overline{WE} = V_{IH}$ .
2.  $\overline{CE} = V_{IL}$ .
3. Address valid prior to or coincident with  $\overline{CE}$  transition LOW.
4.  $\overline{OE} = V_{IL}$ .
5. Transition is measured  $\pm 500\text{mV}$  from steady state with  $C_L = 5\text{pF}$ . This parameter is guaranteed and not 100% tested.

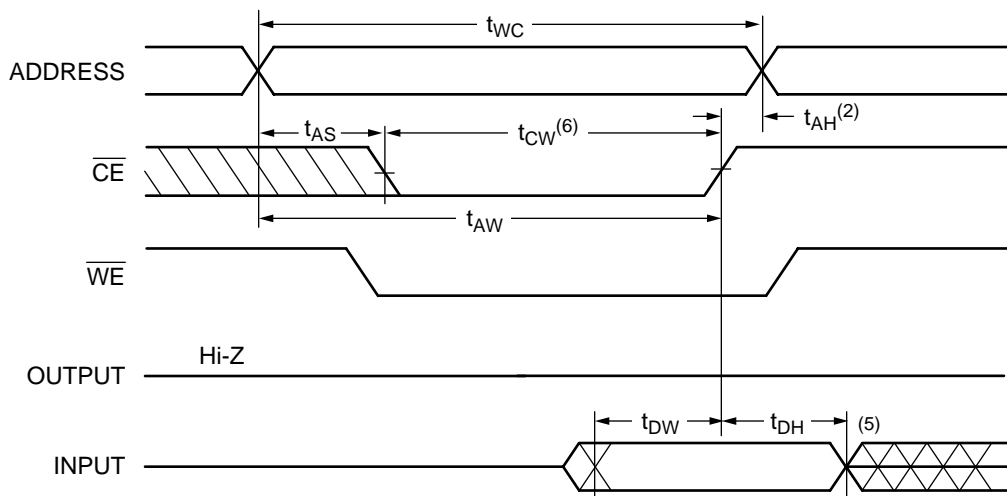
**Switching Waveforms (Write Cycle)**

**Write Cycle 1 ( $\overline{WE}$  Controlled)<sup>(4)</sup>**



518256-11

**Write Cycle 2 ( $\overline{CE}$  Controlled)<sup>(4)</sup>**



518256-12

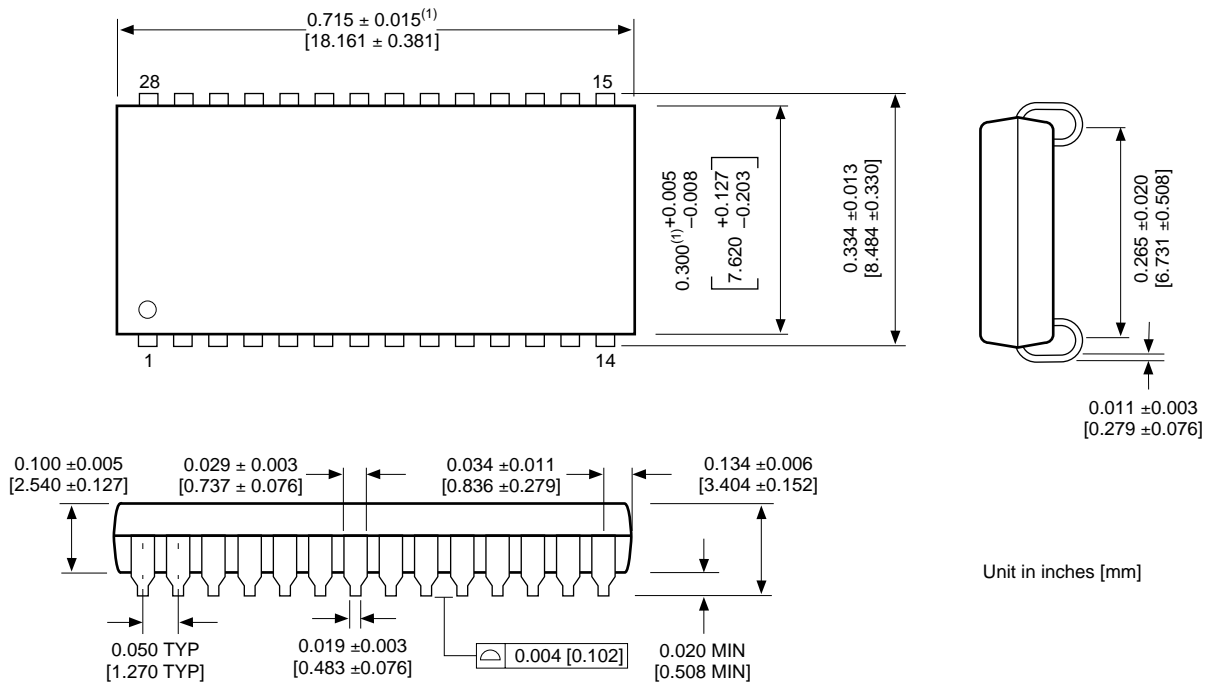
**NOTES:**

1. The internal write time of the memory is defined by the overlap of  $\overline{CE}$  active and  $\overline{WE}$  low. Both signals must be active to initiate and any one signal can terminate a write by going inactive. The data input setup and hold timing should be referenced to the second transition edge of the signal that terminates the write.
2.  $t_{AH}$  is measured from the earlier of  $\overline{CE}$  or  $\overline{WE}$  going HIGH.
3. During this period, I/O pins are in the output state so that the input signals of opposite phase to the outputs must not be applied.
4.  $\overline{OE} = V_{IL}$  or  $V_{IH}$ . However it is recommended to keep  $\overline{OE}$  at  $V_{IH}$  during write cycle to avoid bus contention.
5. If  $\overline{CE}$  is LOW during this period, I/O pins are in the output state. Then the data input signals of opposite phase to the outputs must not be applied to them.
6.  $t_{CW}$  is measured from  $\overline{CE}$  going LOW to the end of write.



**Package Diagrams**

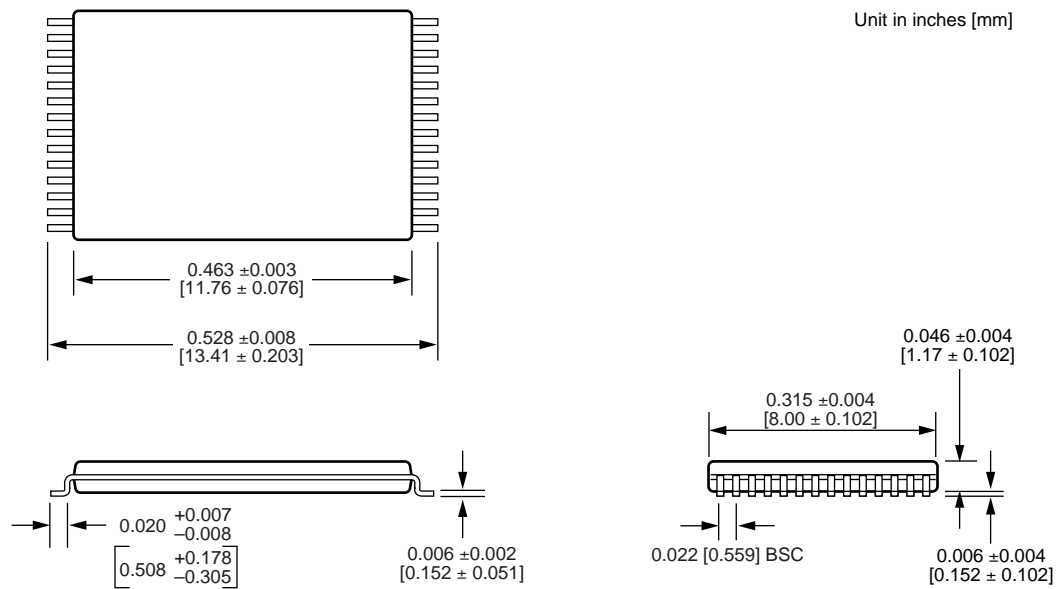
**28-pin 300 mil SOJ**



Unit in inches [mm]

(1) Does not include mold flash protrusion and should be measured from the bottom of the package.

**28-Pin TSOP**



Unit in inches [mm]

**Notes**

**Notes**

**U.S.A.**

3910 NORTH FIRST STREET  
SAN JOSE, CA 95134  
PHONE: 408-433-6000  
FAX: 408-433-0185

**HONG KONG**

19 DAI FU STREET  
TAIPO INDUSTRIAL ESTATE  
TAIPO, NT, HONG KONG  
PHONE: 011-852-665-4883  
FAX: 011-852-664-7535

**TAIWAN**

7F, NO. 102  
MIN-CHUAN E. ROAD, SEC. 3  
TAIPEI  
PHONE: 011-886-2-545-1213  
FAX: 011-886-2-545-1209

1 CREATION ROAD I  
SCIENCE BASED IND. PARK  
HSIN CHU, TAIWAN, R.O.C.  
PHONE: 011-886-35-783344  
FAX: 011-886-35-792838

**JAPAN**

WBG MARINE WEST 25F  
6, NAKASE 2-CHOME  
MIHAMA-KU, CHIBA-SHI  
CHIBA 261-71  
PHONE: 011-81-43-299-6000  
FAX: 011-81-43-299-6555

**U.S. SALES OFFICES****NORTHWESTERN**

3910 NORTH FIRST STREET  
SAN JOSE, CA 95134  
PHONE: 408-433-6000  
FAX: 408-433-0185

**NORTHEASTERN**

SUITE 436  
20 TRAFALGAR SQUARE  
NASHUA, NH 03063  
PHONE: 603-889-4393  
FAX: 603-889-9347

**SOUTHWESTERN**

SUITE 200  
5150 E. PACIFIC COAST HWY.  
LONG BEACH, CA 90804  
PHONE: 562-498-3314  
FAX: 562-597-2174

**CENTRAL & SOUTHEASTERN**

604 FIELDWOOD CIRCLE  
RICHARDSON, TX 75081  
PHONE: 972-690-1402  
FAX: 972-690-0341

---

The information in this document is subject to change without notice.

MOSEL VITELIC makes no commitment to update or keep current the information contained in this document. No part of this document may be copied or reproduced in any form or by any means without the prior written consent of MOSEL-VITELIC.

MOSEL VITELIC subjects its products to normal quality control sampling techniques which are intended to provide an assurance of high quality products suitable for usual commercial applications. MOSEL VITELIC does not do testing appropriate to provide 100% product quality assurance and does not assume any liability for consequential or incidental arising from any use of its products. If such products are to be used in applications in which personal injury might occur from failure, purchaser must do its own quality assurance testing appropriate to such applications.