



UTT60N05

Preliminary

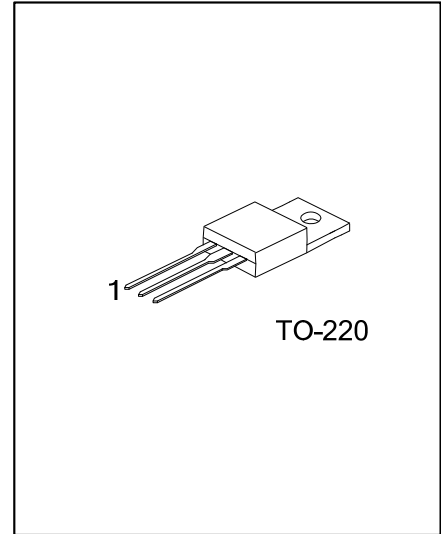
Power MOSFET

60A, 50V N-CHANNEL ENHANCEMENT MODE POWER MOSFET TRANSISTOR

DESCRIPTION

The UTC **UTT60N05** is an N-channel enhancement power MOSFET using UTC's advanced technology to provide the customers with perfect $R_{DS(ON)}$, high switching speed, high current capacity and low gate charge.

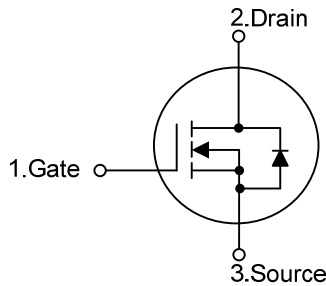
The UTC **UTT60N05** is suitable for motor control, AC-DC or DC-DC converters and audio amplifiers, etc.



FEATURES

- * $R_{DS(ON)}=14m\Omega @ V_{GS}=10V, I_D=20A$
- * High Switching Speed
- * High Current Capacity
- * Low Gate Charge(typical 39nC)

SYMBOL



ORDERING INFORMATION

Ordering Number		Package	Pin Assignment			Packing
Lead Free	Halogen Free		1	2	3	
UTT60N05L-TA3-T	UTT60N05G-TA3-T	TO-220	G	D	S	Tube

Note: Pin Assignment: G: Gate D: Drain S: Source

UTT60N05L-TA3-T 	(1)Packing Type (2)Package Type (3)Lead Free	(1) T: Tube (2) TA3: TO-220 (3) G: Halogen Free, L: Lead Free
---------------------	--	---

UTC assumes no responsibility for equipment failures that result from using products at values that exceed, even momentarily, rated values (such as maximum ratings, operating condition ranges, or other parameters) listed in products specifications of any and all UTC products described or contained herein. UTC products are not designed for use in life support appliances, devices or systems where malfunction of these products can be reasonably expected to result in personal injury. Reproduction in whole or in part is prohibited without the prior written consent of the copyright owner. The information presented in this document does not form part of any quotation or contract, is believed to be accurate and reliable and may be changed without notice.