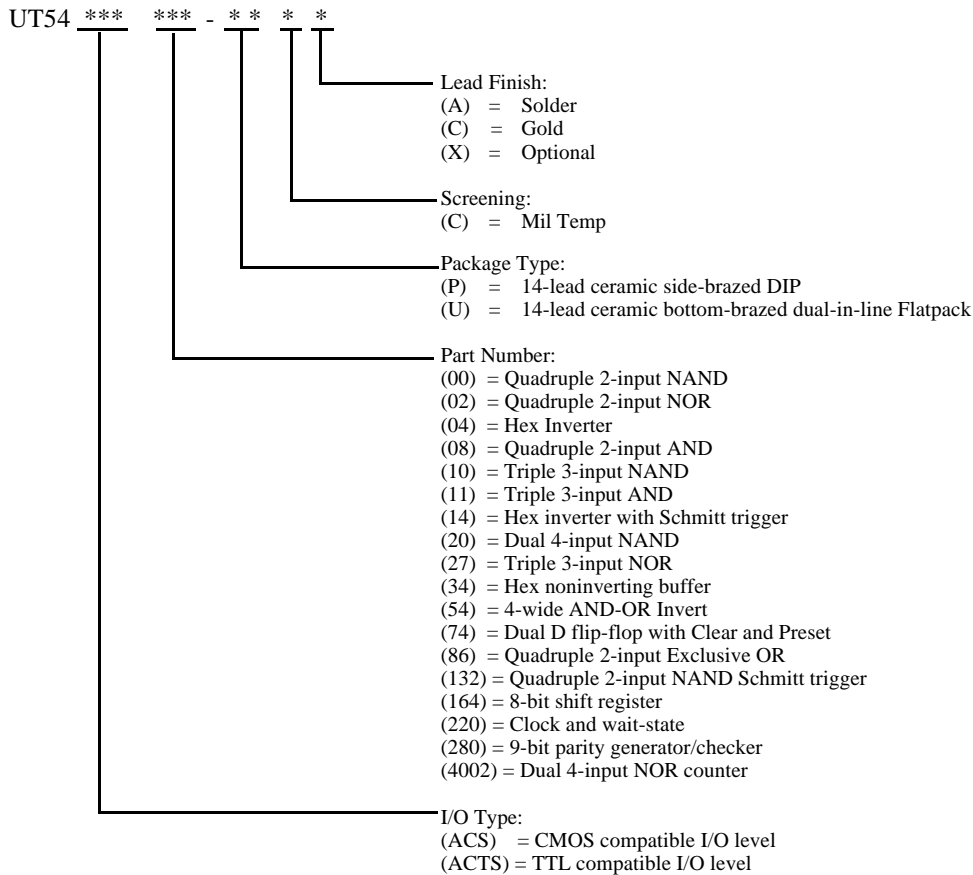


3.0 ORDERING INFORMATION

RadHard MSI - 14-Lead Packages: Military Temperature Range

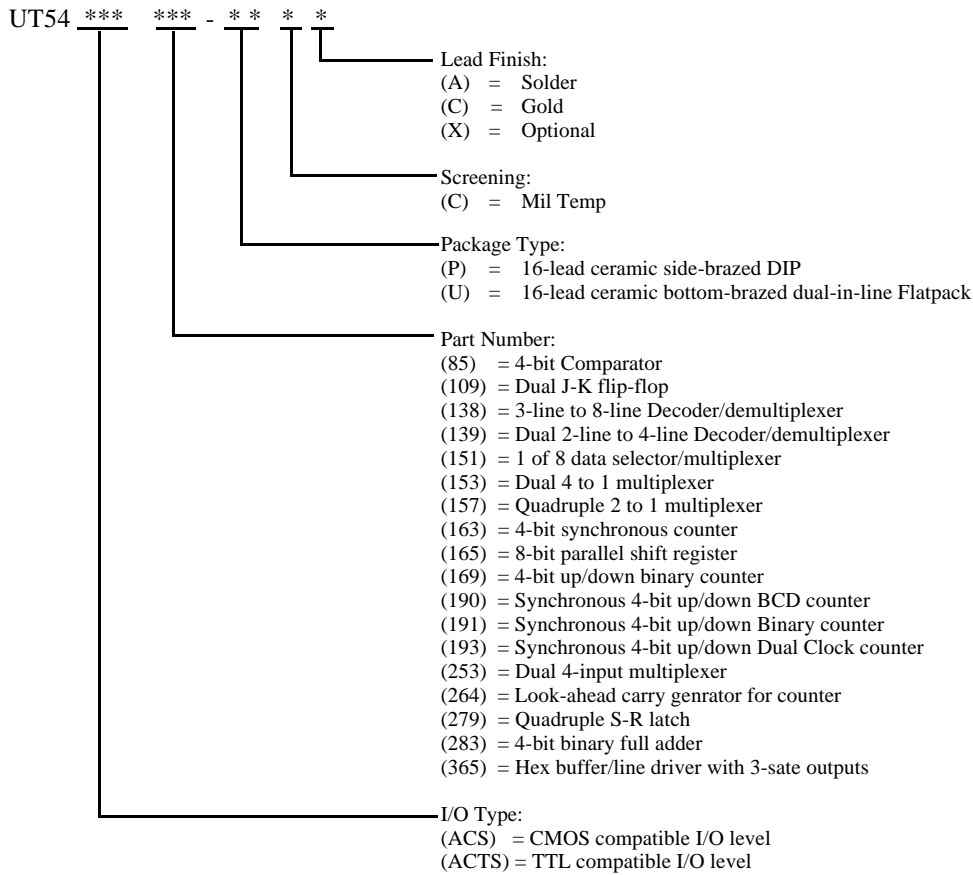


Notes:

1. Lead finish (A,C, or X) must be specified.
2. If an "X" is specified when ordering, then the part marking will match the lead finish and will be either "A" (solder) or "C" (gold).
3. Total dose must be specified (Not available without radiation hardening).
4. Military Temperature Range flow per UTMC Manufacturing Flows Document. Devices have 48 hours of burn-in and are tested at -55C, room temperature, and 125C. Radiation characteristics are neither tested nor guaranteed and may not be specified.

ORDERING INFORMATION

RadHard MSI - 16-Lead Packages: Military Temperature Range

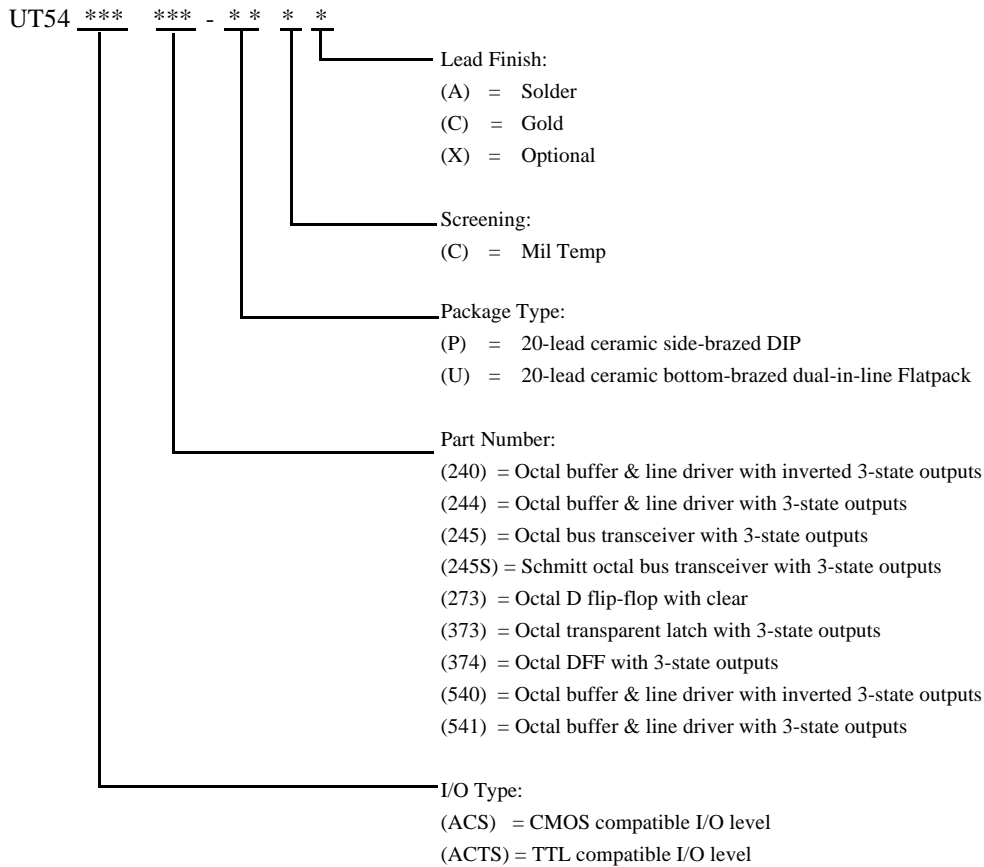


Notes:

1. Lead finish (A,C, or X) must be specified.
2. If an "X" is specified when ordering, then the part marking will match the lead finish and will be either "A" (solder) or "C" (gold).
3. Total dose must be specified (Not available without radiation hardening).
4. Military Temperature Range flow per UTMC Manufacturing Flows Document. Devices have 48 hours of burn-in and are tested at -55C, room temperature, and 125C. Radiation characteristics are neither tested nor guaranteed and may not be specified.

ORDERING INFORMATION

RadHard MSI - 20-Lead Packages: Military Temperature Range

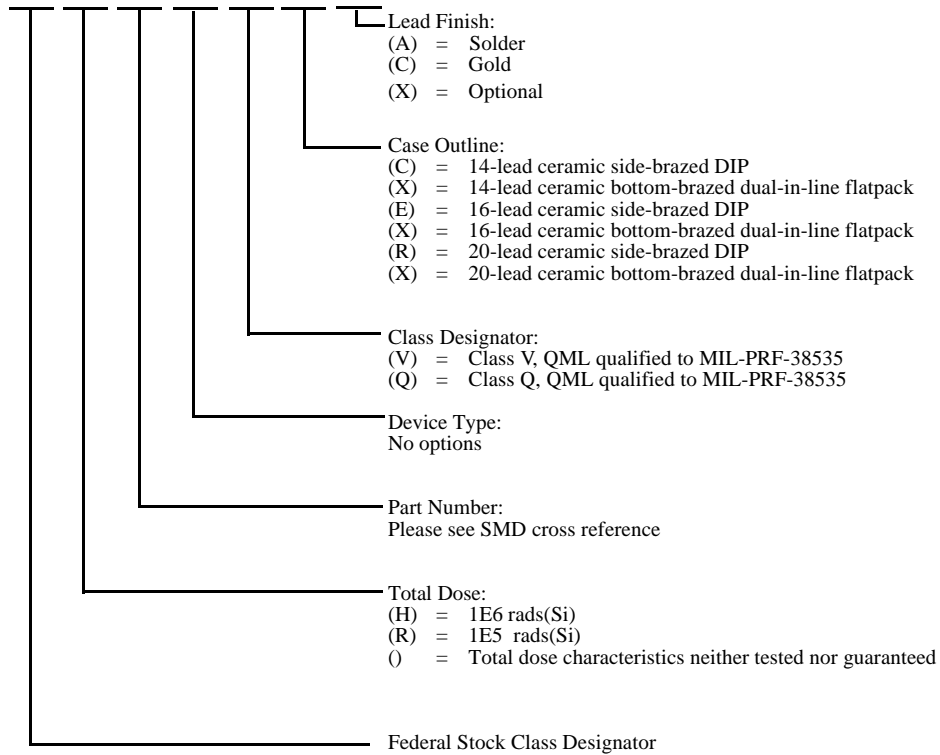


Notes:

1. Lead finish (A,C, or X) must be specified.
2. If an "X" is specified when ordering, then the part marking will match the lead finish and will be either "A" (solder) or "C" (gold).
3. Total dose must be specified (Not available without radiation hardening).
4. Military Temperature Range flow per UTMC Manufacturing Flows Document. Devices have 48 hours of burn-in and are tested at -55C, room temperature, and 125C. Radiation characteristics are neither tested nor guaranteed and may not be specified.

Rad-Hard MSI: SMD, Class Q & Class V

5962 * ***** 01 * * *



Notes:

1. Lead finish (A, C, or X) must be specified.
2. If an "X" is specified when ordering, part marking will match the lead finish and will be either "A" (solder) or "C" (gold).