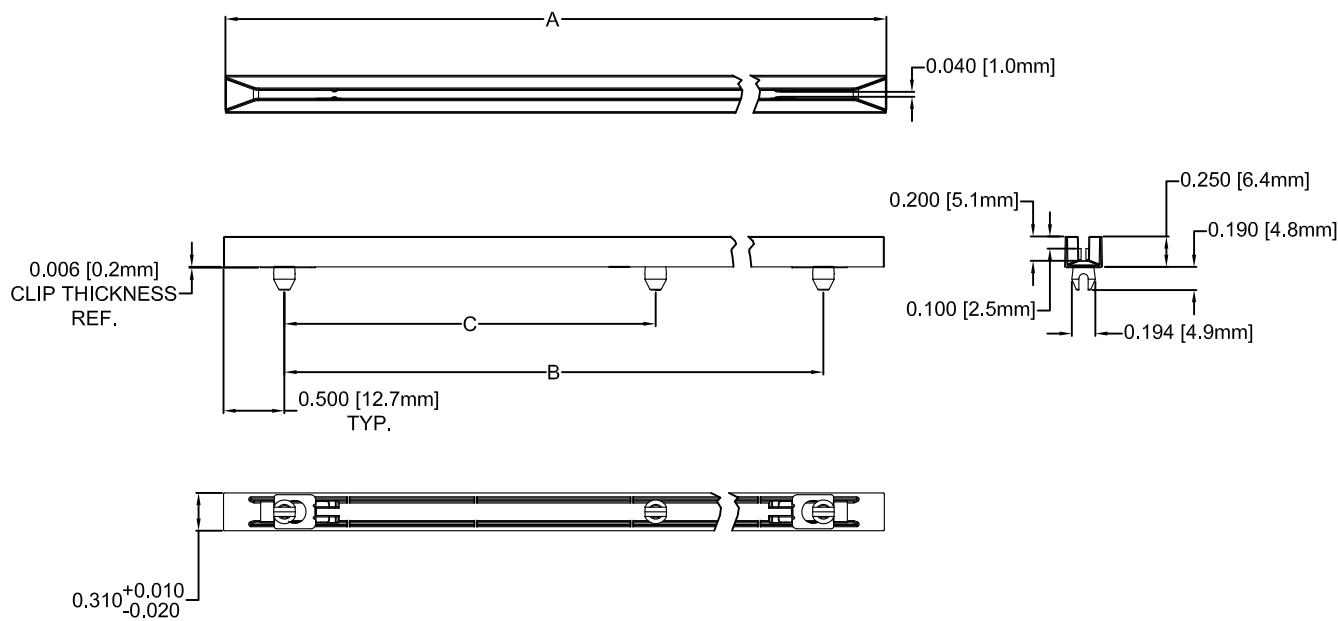
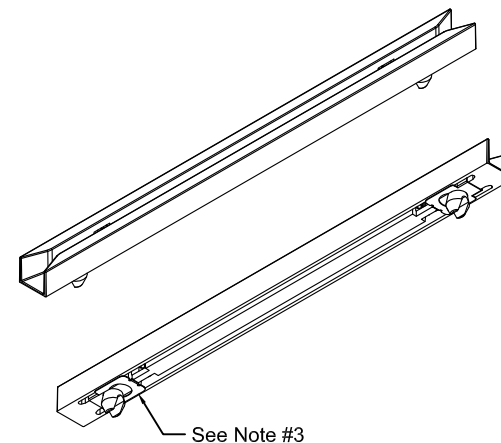
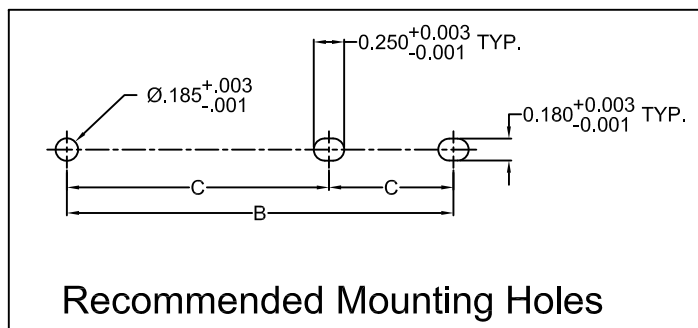


REV.	DESCRIPTION	DATE	APPROVED
G	Engineering Release.	04/29/14	M. C.



PART NO.	A ±.032 (.8)	B ±.016 (.4)	C ±.008 (.2)
UDD-200-C	2.0 (50.8)	1.0 (25.4)	-
UDD-250-C	2.5 (63.5)	1.5 (38.1)	-
UDD-300-C	3.0 (76.2)	2.0 (50.8)	-
UDD-350-C	3.5 (88.9)	2.5 (63.5)	-
UDD-400-C	4.0 (101.6)	3.0 (76.2)	-
UDD-450-C	4.5 (114.3)	3.5 (88.9)	-
UDD-500-C	5.0 (127.0)	4.0 (101.6)	-
UDD-550-C	5.5 (139.7)	4.5 (114.3)	-
UDD-600-C	6.0 (152.4)	5.0 (127.0)	-
UDD-650-C	6.5 (165.1)	5.5 (139.7)	-
UDD-700-C	7.0 (177.8)	6.0 (152.4)	-
UDD-750-C	7.5 (190.5)	6.5 (165.1)	-
UDD-800-C	8.0 (203.2)	7.0 (177.8)	-
UDD-850-C	8.5 (215.9)	7.5 (190.5)	3.75 (95.3)
UDD-900-C	9.0 (228.6)	8.0 (203.2)	4.00 (101.6)
UDD-950-C	9.5 (241.3)	8.5 (215.9)	4.25 (108.0)
UDD-1000-C	10.0 (254.0)	9.0 (228.6)	4.50 (114.3)
UDD-1050-C	10.5 (266.7)	9.5 (241.3)	4.75 (120.7)
UDD-1100-C	11.0 (279.4)	10.0 (254.0)	5.00 (127.0)



**NOTE:**

4. MATERIAL: NYLON 66, 15% GLASS FILLED, BLACK, 94V-0
3. INTEGRATED S/S CLIPS PROVIDE GROUNDING CONTACT FROM PCB TO CHASSIS
2. RECOMMENDED CARD THICKNESS .062" - .079" [1.6mm - 2.0mm]
1. RECOMMENDED PANEL THICKNESS 0.047" - 0.090" (1.2mm - 2.3mm)

STANDARD TOLERANCE ( UNLESS OTHERWISE SPECIFIED )			<b>BIVAR</b> <sup>®</sup> 4 THOMAS, IRVINE, CA, 92618 TEL: (949) 951-8808 FAX: (949) 951-3974
DECIMALS	ANGULAR		
.X ±.1	X° ± 1°		<b>TITLE:</b> UNIVERSAL NYLON CARD GUIDE W/ GROUNDING CLIP
.XX ±.02			
.XXX ±.010			
DESIGNED: <b>Ty Yin</b>	DATE: <b>11/26/13</b>	<b>PART NO:</b> UDD-XXX-C	REVISION: <b>G</b>
CHECKED: <b>B. Oliver</b>	DATE: <b>11/26/13</b>	<b>CAGE CODE :</b> 32559	<b>SHEET # 1 OF 1</b>

CAD GENERATED DOCUMENT, DO NOT MEASURE DRAWING.