

Features

- Dynamic random access memory
65536 x 4 bits manufactured using a CMOS technology
- RAS access times 70 ns/80 ns
- TTL-compatible
- Three-state outputs bidirectional
- 256 refresh cycles
4 ms refresh cycle time
- STATIC COLUMN MODE
- Operating modes: Read, Write, Read - Write, RAS only Refresh, Hidden Refresh with address transfer
- Low power dissipation
- Power supply voltage 5 V
- Package PDIP18 (300 mil)
- Operating temperature range
0 to 70 °C
- Quality assessment according to CECC 90000, CECC 90100 and CECC 90112

Description

Addressing

The UD61466 is a dynamic random access memory organized 65536 words by 4 bits.

SCM facilitates faster data operation with predefined row address. Via 8 address inputs the 16 address bits are transmitted into the internal address memories in a time-multiplex operation. The falling RAS-edge takes over the row address. After the row address hold time the column address can be applied. During the Read cycle the address transfer is not latched by the falling edge at the $\overline{\text{CAS}}$ input, so that the column address must be applied until the data are valid at the output. During Write the column address is taken over with the falling edge of the control signal $\overline{\text{CAS}}$, or $\overline{\text{W}}$, that becomes active as the last. The selection of one or more memory circuits can be made via the RAS input.

Read-Write-Control

The choice between Read or Write cycle is made at the $\overline{\text{W}}$ input. HIGH at the $\overline{\text{W}}$ input causes a Read cycle, meanwhile LOW leads to a Write cycle.

Both $\overline{\text{CAS}}$ -controlled and $\overline{\text{W}}$ -controlled Write cycles are possible with activated RAS signal.

Data Output Control

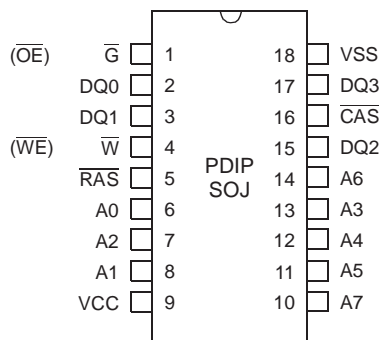
The usual state of the data output is the High-Z state. Whenever $\overline{\text{CAS}}$ is inactive (HIGH), Q will float (High-Z). Thus, $\overline{\text{CAS}}$ functions as data output control.

After access time, in case of a Read cycle, the output is activated, and it contains the logic „0“ or „1“.

The memory cycle being a Read, Read-Write or a Write cycle ($\overline{\text{W}}$ -controlled), Q changes from High-Z state to the active state („0“ or „1“). After access time, the contents of the selected cell will be available, with the exception of the Write cycle.

The output remains active until $\overline{\text{CAS}}$ becomes inactive, irrespective of RAS becoming inactive or not. The memory cycle being a Write cycle ($\overline{\text{CAS}}$ -controlled), the data output keeps its High-Z state throughout the whole cycle. This configuration makes Q fully controllable by the user merely through the timing of $\overline{\text{W}}$. The output storing the data, they remain valid from the end of access time until the start of another cycle.

Pin Configuration

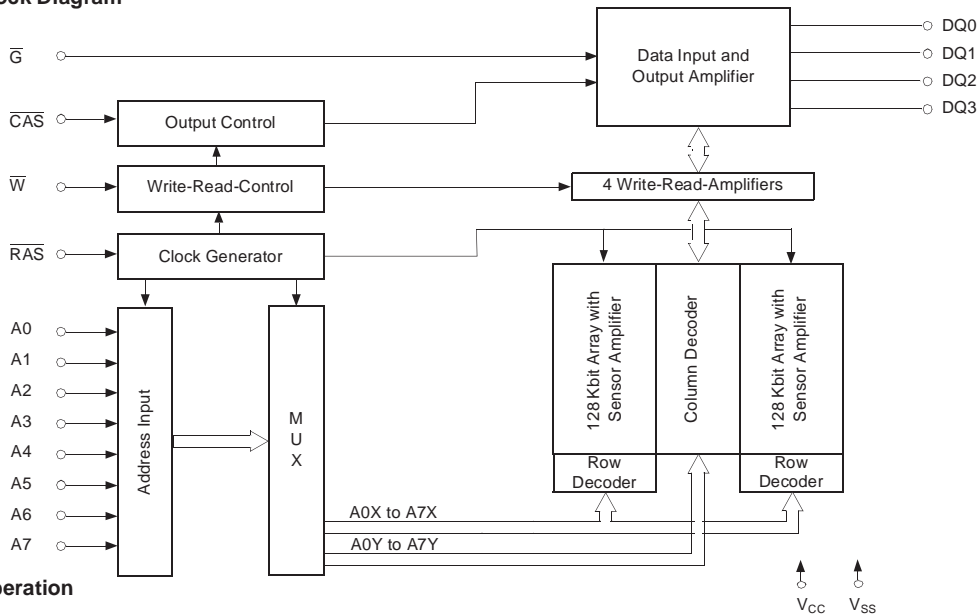


Top View

Pin Description

Signal Name	Signal Description
A0 - A7	Address Inputs
DQ0 - DQ3	Data In/Out
$\overline{\text{W}}$	Read, Write Control
$\overline{\text{RAS}}$	Row Address Strobe
$\overline{\text{G}}$	Output Enable
VCC	Power Supply Voltage
VSS	Ground
$\overline{\text{CAS}}$	Column Address Strobe

Block Diagram



Operation

Function		$\overline{\text{RAS}}$	$\overline{\text{CAS}}$	$\overline{\text{W}}$	Address		$\overline{\text{G}}$	Data
					R	C		
Stand-by		H	X	X	X	X	X	High-Z
Read		L	L	H	Row	Column	L	Output Data
Write		L	L	L	Row	Column	X	Input Data
Read-Write		L	L	H → L	Row	Column	L → H	Output Data/Input Data
SCM Read	1st cycle	L	L	H	Row	Column	L	Output Data
	2nd cycle	L	L	H		Column	L	Output Data
SCM Write	1st cycle	L	L	L	Row	Column	X	Input Data
	2nd cycle	L	L	H → L		Column	X	Input Data
SCM Read-Write	1st cycle	L	L	H → L	Row	Column	L → H	Output Data/Input Data
	2nd cycle	L	L	H → L		Column	L → H	Output Data/Input Data
$\overline{\text{RAS}}$ only Refresh		L	H	X	Row		X	High-Z
HIDDEN Refresh*)	Read	L → H → L	L	H	Row	Column	L	Output Data
	Write	L → H → L	L	L	Row	Column	X	Input Data

*) Transfer of Refresh Address required

Characteristics

All voltages are referenced to $V_{SS} = 0$ V (ground).

All characteristics are valid in the power supply voltage range and operating temperature range indicated below.

Absolute Maximum Ratings	Symbol	Min.	Max.	Unit
Power Supply Voltage	V_{CC}	-0.5	7.0	V
Input Voltage ¹⁾	V_I	-1.0	7.0	V
Output Voltage ¹⁾	V_O	-1.0	7.0	V
Output Current ^{1a)}	I_O	-50	50	mA
Power Dissipation	P_D		1	W
Operating Temperature	T_a	0	70	°C
Storage Temperature	T_{stg}	-55	125	°C

Remarks: see page 7

Recommended Operating Conditions	Symbol	Min.	Max.	Unit
Power Supply Voltage	V_{CC}	4.5	5.5	V
Input Low Voltage ¹⁾	V_{IL}	-1.0	0.8	V
Input High Voltage	V_{IH}	2.4	5.5	V

Remark: see page 7

Capacitances	Conditions	Symbol	Min.	Max.	Unit
Input Capacitance A0 to A7	$V_{CC} = 5.0$ V $V_I = V_{SS}$ $f = 1$ MHz $T_a = 25$ °C	C_{11}		6	pF
Input Capacitance RAS, CAS, W and \bar{G}		C_{12}		7	pF
Output Capacitance DQ0 to DQ3		C_O		7	pF

All pins not under test (alternating voltage) must be connected with ground.

Static Characteristics	Conditions	Symbol	Min.		Max.		Unit
			DC07	DC08	DC07	DC08	
Power Supply Current ²⁾ (average value of $\overline{\text{RAS}}$ -CAS cycles)	$t_{cW} = t_{cWmin}$ $t_{cR} = t_{cRmin}$	I_{CC1}			70	60	mA
Refresh Current ²⁾ (average value of $\overline{\text{RAS}}$ cycles)	$\overline{\text{CAS}} = V_{IH}$ $t_{cW} = t_{cWmin}$ $t_{cR} = t_{cRmin}$	I_{CC2}			70	60	mA
SCM Current ²⁾ (average value of SCM cycles)	$\overline{\text{RAS}} = V_{IL}$ $t_{c(A)} = t_{c(A)min}$	I_{CC3}			50	40	mA
Stand-by Current TTL Level	$\overline{\text{RAS}} = \overline{\text{CAS}} = V_{IH}$	I_{CC4}			2	2	mA
Stand-by Current CMOS Level	$\overline{\text{RAS}} = V_{CC} - 0.2 \text{ V}$ $\overline{\text{CAS}} = V_{CC} - 0.2 \text{ V}$	I_{CC5}			1	1	mA
Output High Voltage	$I_{OH} = -5 \text{ mA}$	V_{OH}	2.4	2.4			V
Output Low Voltage	$I_{OL} = 4.2 \text{ mA}$	V_{OL}			0.4	0.4	V
Input Leakage Current at any input, all other pins = 0 V	$V_I = 0 \text{ V to } 5.5 \text{ V}$	I_I	-10	-10	10	10	μA
Output Leakage Current Q = High-Z	$V_O = 0 \text{ V to } 5.5 \text{ V}$ $\overline{\text{RAS}} = \overline{\text{CAS}} = V_{IH}$	I_O	-10	-10	10	10	μA

Remarks: see page 7

Dynamic Characteristics	3)	Symbol		Min.		Max.		Unit
		Alt.	IEC	DC07	DC08	DC07	DC08	
<input type="checkbox"/> ALL CYCLES								
Transition Time (Rise and Fall)	4)	t_T	t_t	3	3	50	50	ns
RAS Precharge Time		t_{RP}	$t_{w(RASH)}$	50	60			ns
CAS Precharge Time		t_{CP}	$t_{w(CASH)}$	10	10			ns
Row Address Set-up Time		t_{ASR}	$t_{su(RA-RAS)}$	0	0			ns
Row Address Hold Time		t_{RAH}	$t_h(RAS-RA)$	10	10			ns
Output Buffer Turn-off Delay Time	5)	t_{OFF}	$t_{v(CAS)}$	0	0	20	20	ns
Output Buffer Turn-off Delay Time from \overline{OE}	5)	t_{OEZ}	$t_{v(G)}$	0	0	20	20	ns
CAS to RAS Precharge Time	6)	t_{CRP}	$t_{CASH-RASL}$	5	5			ns
RAS to Column Address Delay Time		t_{RAD}	t_{RAS-CA}	15	15	35	40	ns
Column Address to RAS Lead Time		t_{RAL}	$t_{CA-RASH}$	35	40			ns
CAS to Output in Low-Z		t_{CLZ}	$t_{CASL-QX}$	0	0			ns
Refresh Period		t_{REF}	t_{rf}			4	4	ms
<input type="checkbox"/> READ								
Random Read Cycle Time	7)	t_{RC}	t_{cR}	130	150			ns
Access Time from RAS	8)	t_{RAC}	$t_a(RAS)$			70	80	ns
Access Time from Column Address	8)	t_{AA}	$t_a(CA)$			35	40	ns
Access Time from CAS	8)	t_{CAC}	$t_a(CAS)$			20	20	ns
OE Access Time	8)	t_{OEA}	$t_a(G)$			20	20	ns
RAS Pulse Width		t_{RAS}	$t_w(RASL)$	70	80	10000	10000	ns
CAS Pulse Width		t_{CAS}	$t_w(CASL)$	20	20	10000	10000	ns
Read Command Set-up Time		t_{RCS}	$t_{su(R-CAS)}$	0	0			ns
Read Command Hold Time ref. to RAS	9)	t_{RRH}	$t_h(RAS-R)$	0	0			ns
Read Command Hold Time	9)	t_{RCH}	$t_h(CAS-R)$	0	0			ns
Column Address Hold Time ref. to RAS	10)	t_{AR}	$t_h(RAS-CA)$	70	80			ns
Column Address Hold Time ref. to RAS Rise		t_{AH}	$t_h(RASH-CA)$	5	5			ns
RAS to CAS Delay Time	6)	t_{RCD}	$t_{RASL-CASL}$	20	20	50	60	ns
CAS Hold Time		t_{CSH}	$t_{RASL-CASH}$	70	80			ns
RAS Hold Time		t_{RSH}	$t_{CASL-RASH}$	20	20			ns
RAS Hold Time referenced to OE		t_{ROH}	$t_{GL-RASH}$	10	10			ns

Remarks: see page 7

Dynamic Characteristics	3)	Symbol		Min.		Max.		Unit
		Alt.	IEC	DC07	DC08	DC07	DC08	
<input type="checkbox"/> WRITE								
Random Write Cycle Time	7)	t_{RC}	t_{cW}	130	150			ns
RAS Pulse Width		t_{RAS}	$t_{w(RASL)}$	70	80	10000	10000	ns
CAS Pulse Width		t_{CAS}	$t_{w(CASL)}$	25	25	10000	10000	ns
Write Command Pulse Width		t_{WP}	$t_{w(W)}$	15	15			ns
Write Command Set-up Time	11)	t_{WCS}	$t_{su(W-CAS)}$	0	0			ns
Data Set-up Time ref. to CAS	12)	t_{DS}	$t_{su(D-CAS)}$	0	0			ns
Data Set-up Time ref. to \overline{W}	12)	t_{DS}	$t_{su(D-W)}$	0	0			ns
Column Address Set-up Time	12)	t_{ASC}	$t_{su(CA-CAS)}$	0	0			ns
Column Address to \overline{W} Delay Time	12)	t_{AWD}	$t_{su(CA-W)}$	0	0			ns
Write Command Hold Time		t_{WCH}	$t_h(CAS-W)$	15	15			ns
Write Command Hold Time ref. to CAS-High		-	$t_h(CASH-W)$	0	0			ns
Write Command Hold Time ref. to RAS		t_{WCR}	$t_h(RAS-W)$	55	60			ns
Write Command to RAS Lead Time		t_{RWL}	$t_h(W-RAS)$	20	20			ns
Write Command to CAS Lead Time		t_{CWL}	$t_h(W-CAS)$	20	20			ns
Data Hold Time ref. to CAS	12)	t_{DH}	$t_h(CAS-D)$	15	15			ns
Data Hold Time ref. to \overline{W}	12)	t_{DH}	$t_h(W-D)$	15	15			ns
Column Address Hold Time ref. to RAS		t_{AR}	$t_h(RAS-CA)$	55	60			ns
Column Address Hold Time	12)	t_{CAH}	$t_h(CAS-CA)$	15	15			ns
Column Address Hold Time	12)	t_{CAH}	$t_h(W-CA)$	15	15			ns
OE Command Hold Time		t_{OEH}	$t_h(W-GL)$	20	20			ns
RAS to CAS Delay Time	6)	t_{RCD}	$t_{RASL-CASL}$	20	20	50	60	ns
CAS Hold Time		t_{CSH}	$t_{RASL-CASH}$	70	80			ns
RAS Hold Time		t_{RSH}	$t_{CASL-RASH}$	20	20			ns
<input type="checkbox"/> READ-WRITE								
Read-Write Cycle Time	7)	t_{RWC}	t_{cRW}	185	205			ns
RAS Pulse Width		t_{RAS}	$t_{w(RASL)RW}$	125	135	10000	10000	ns
CAS Pulse Width		t_{CAS}	$t_{w(CASL)RW}$	75	75	10000	10000	ns
CAS Hold Time		t_{CSH}	$t_{(RASL-CASH)RW}$	125	135			ns
RAS to WRITE Delay Time	11)	t_{RWD}	t_{RAS-W}	100	110			ns
CAS to WRITE Delay Time	11)	t_{CWD}	t_{CAS-W}	50	55			ns
Column to WRITE Delay Time	11)	t_{AWD}	$t_{(CA-W)RW}$	65	70			ns
<input type="checkbox"/> SCM								
Static Column Mode Cycle Time		t_{SC}	$t_{c(A)}$	50	50			ns
RAS Pulse Width		t_{RASC}	$t_{w(RASL)}$	70	80	100000	100000	ns
CAS Precharge Time	13)	t_{CP}	$t_{w(CASH)}$	10	10			ns

Remarks: see page 7

Dynamic Characteristics	3)	Symbol		Min.		Max.		Unit
		Alt.	IEC	DC07	DC08	DC07	DC08	
<input type="checkbox"/> SCM Read								
Column Address Hold Time ref. to $\overline{\text{RAS}}$ Rise ¹⁰⁾	t_{AH}	$t_{\text{h(RASH-CA)}}$	5	5				ns
Output Data Hold Time from Column Address	t_{AOH}	$t_{\text{V(CA)}}$	5	5				ns
<input type="checkbox"/> SCM Write								
Write Command Inactive Time	t_{WI}	$t_{\text{w(WH)}}$	10	10				ns
<input type="checkbox"/> SCM Read-Write								
Static Column Mode Read-Write Cycle Time	t_{SRWC}	$t_{\text{c(A)RW}}$	100	110				ns
Access Time from Last Write	t_{ALW}	$t_{\text{a(WL)}}$	65	75				ns
Output Data Enable Time from $\overline{\text{WRITE}}$	t_{OW}	$t_{\text{a(WH)}}$	35	40				ns
<input type="checkbox"/> HIDDEN REFRESH								
$\overline{\text{CAS}}$ Hold Time ($\overline{\text{CAS}}$ before $\overline{\text{RAS}}$ Cycle)	t_{CHR}	$t_{\text{RASL-CASH}}$	15	15				ns

Remark: see below

Remarks:

- 1) The Input Low Voltage must not drop below -0.3 V for more than 40 ns.
- 1a) The total sum of the absolute values of output currents must not exceed 100 mA in case of static application.
- 2) The current is inversely proportional to the cycle time; the max. current is measured in the shortest cycle time.
- 3) For test conditions see test configuration for functional test and clock timing.
- 4) V_{IHmin} and V_{ILmax} are reference levels for time measurement of the input signals; transition times are measured between V_{IH} and V_{IL} .
- 5) $t_{\text{V(CAS)}}$ and $t_{\text{V(G)}}$ define the time at which the data output goes to High-Z; this time is not related to any level.

6) $t_{\text{RASL-CASLmax}}$ and $t_{\text{V(G)}}$ are given as reference points only; they do not represent restrictive conditions.

7) The values of t_{cWmin} , t_{cRmin} and t_{cRWmin} are used for indication of the particular cycle time in which full function is guaranteed in the temperature range from 0 to 70 °C. Values below the one shown above may cause permanent damage to the component.

8) Measured with a load equivalent to 2 TTL loads, 100 pF

9) In Read cycle either $t_{\text{h(RAS-R)}}$ or $t_{\text{h(CAS-R)}}$ must be kept.

10) $t_{\text{h(RASH-CA)}}$ is only required if the valid data are to be held beyond the rising edge of $\overline{\text{RAS}}$.

11) $t_{\text{su(W-CAS)}}$, $t_{\text{RAS-W}}$, $t_{\text{CAS-W}}$ and $t_{\text{(CA-W)RW}}$ do not represent restrictive parameters:

- if $t_{\text{su(W-CAS)}} \geq t_{\text{su(W-CAS)min}}$ and $t_{\text{h(CASH-W)}} \geq t_{\text{h(CASH-W)min}}$, the

cycle is a Write cycle ($\overline{\text{CAS}}$ -controlled), and the data output remains in High-Z throughout the whole cycle,

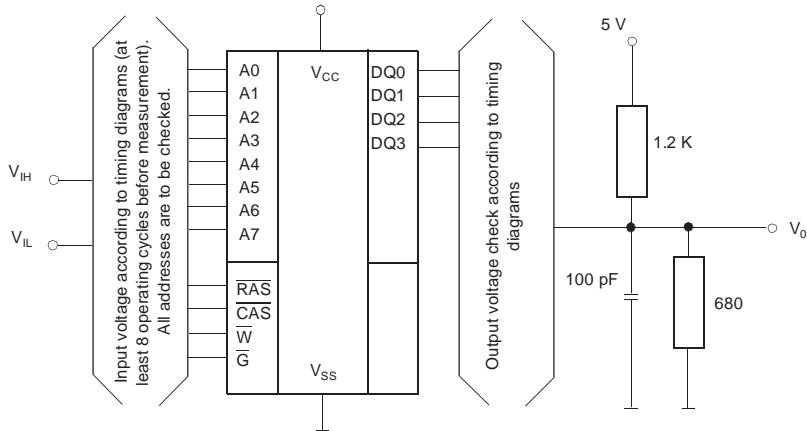
- if $t_{\text{CAS-W}} > t_{\text{CAS-Wmin}}$, $t_{\text{RAS-W}} > t_{\text{RAS-Wmin}}$ and $t_{\text{(CA-W)RW}} > t_{\text{(CA-W)RWmin}}$, the cycle is a Read-Write cycle, and the content of the cell is available at the data output,

- if none of these conditions is satisfied, the condition of the data output (at access time) is indeterminate, since a Write cycle ($\overline{\text{W}}$ -controlled) is carried out.

12) These parameters refer to $\overline{\text{CAS}}$ during $\overline{\text{Write}}$ ($\overline{\text{CAS}}$ -controlled), and to $\overline{\text{W}}$ ($\overline{\text{W}}$ -controlled) or to $\overline{\text{W}}$ during Read-Write.

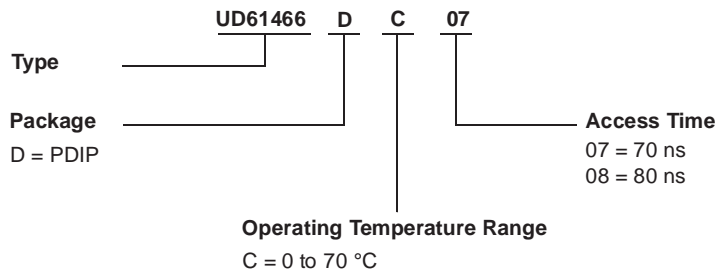
13) Timing of $\overline{\text{CAS}}$ in SCM is necessary only if the data output is to go to High-Z between the read-out of two successive column addresses.

Test Configuration for Functional Check



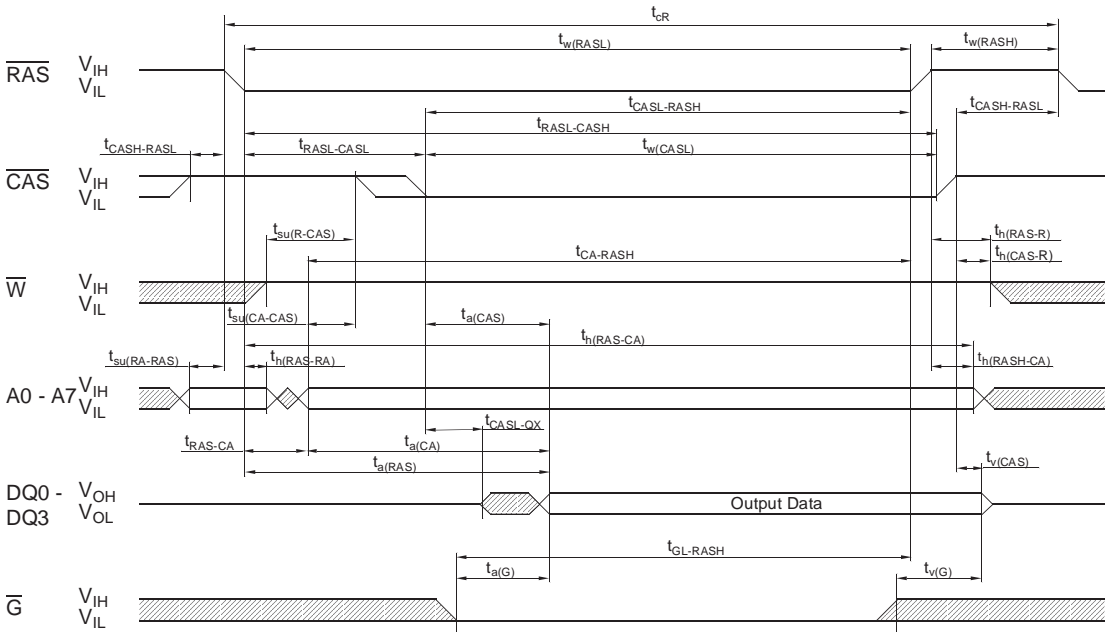
IC Code Numbers

Example

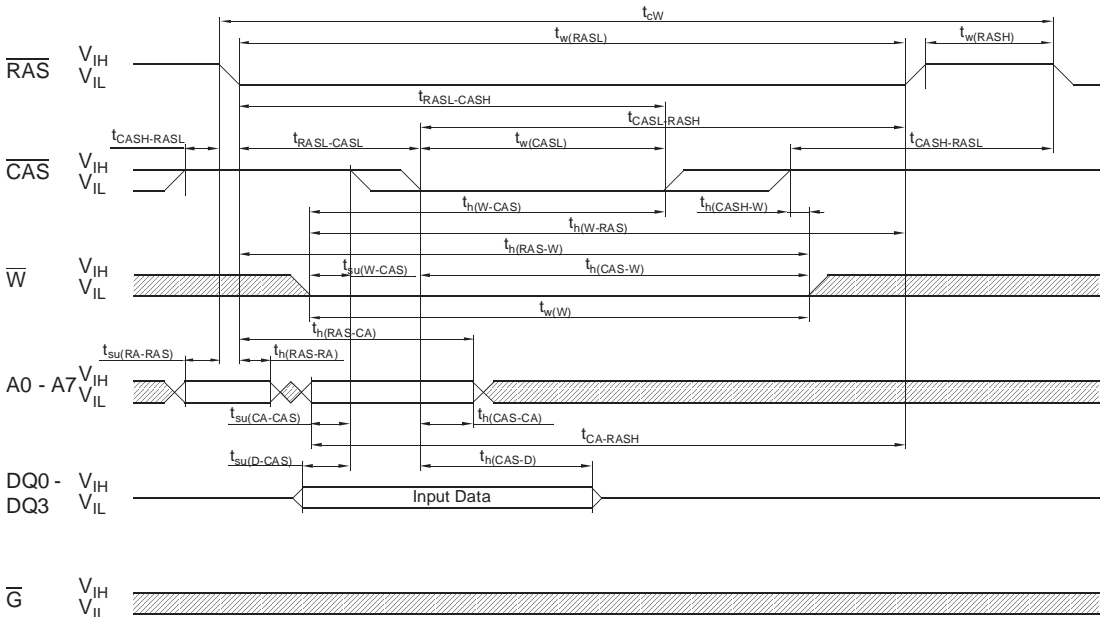


The date of manufacture is given by the 4 last digits of the mark, the 2 first digits indicating the year, and the last 2 digits the calendar week.

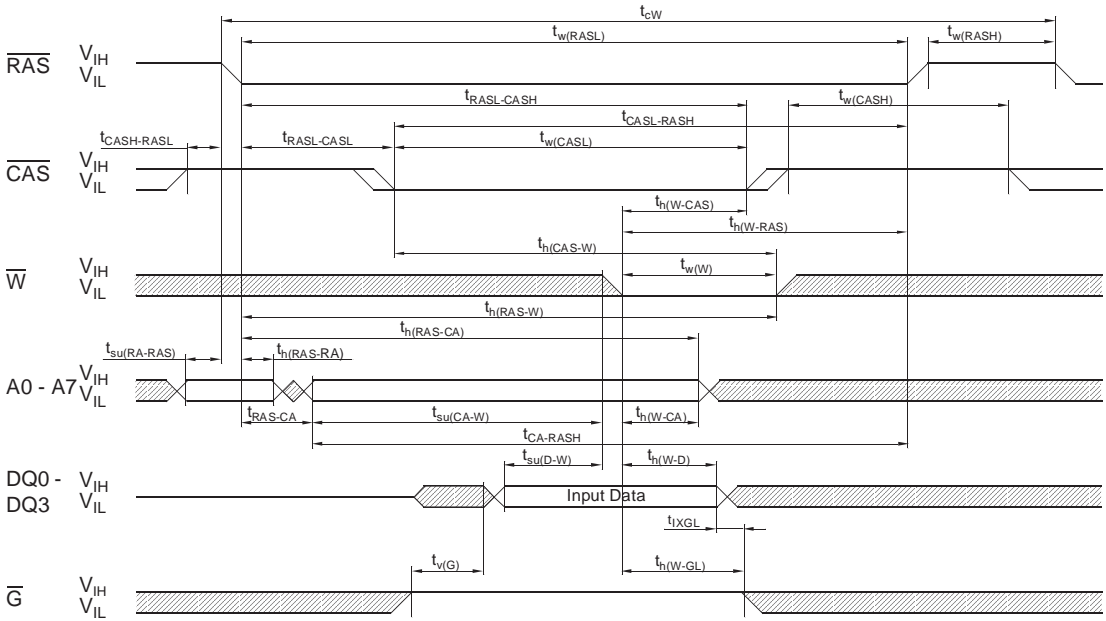
Read



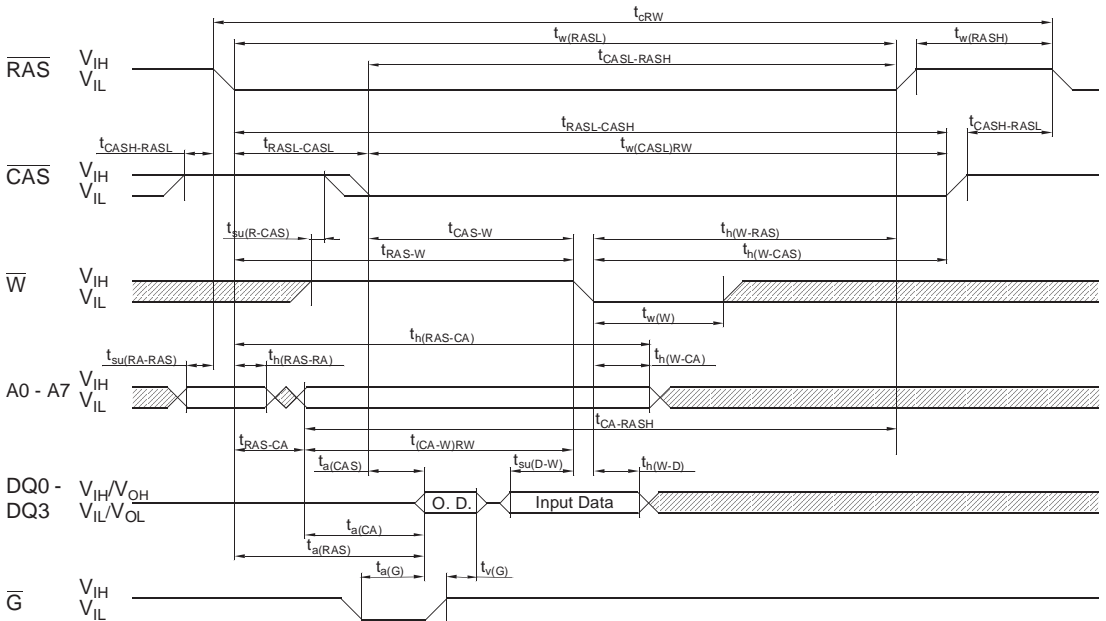
Write (\overline{CAS} -controlled)



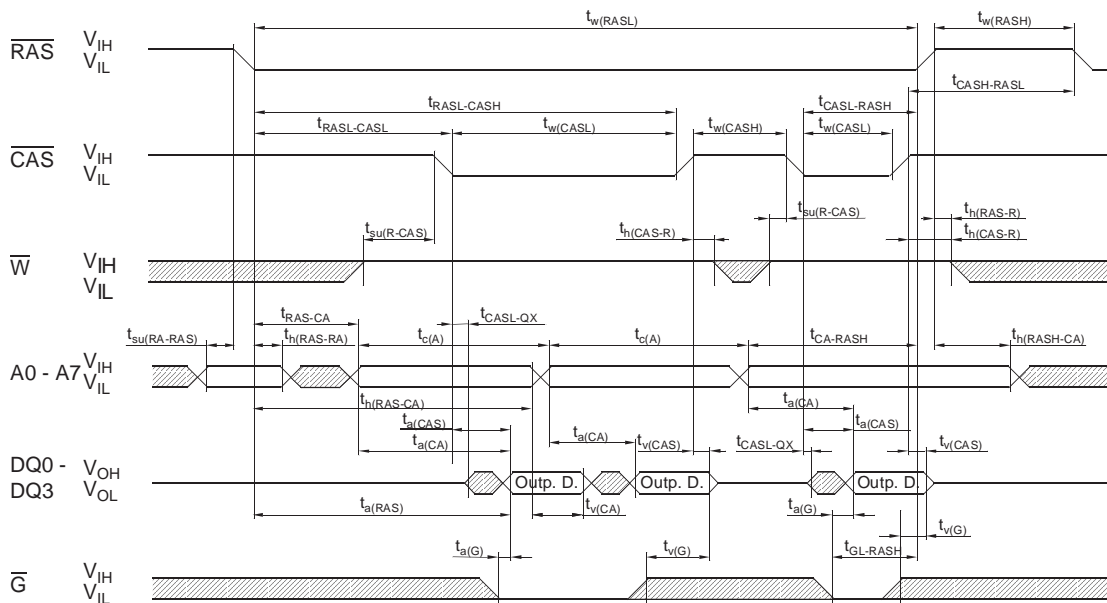
Write (\overline{W} -controlled)



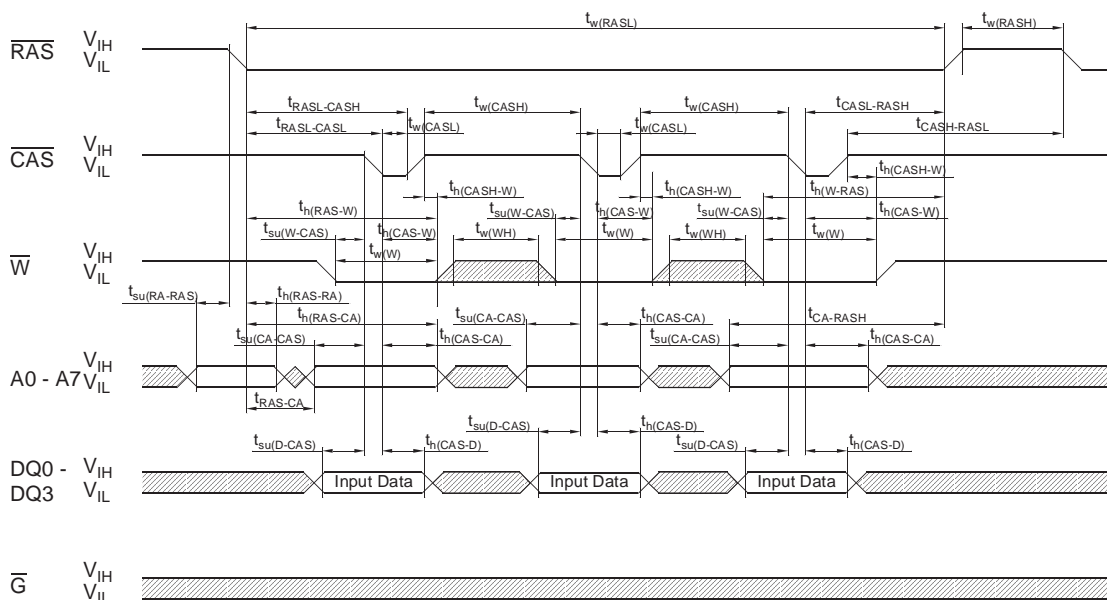
Read-Write



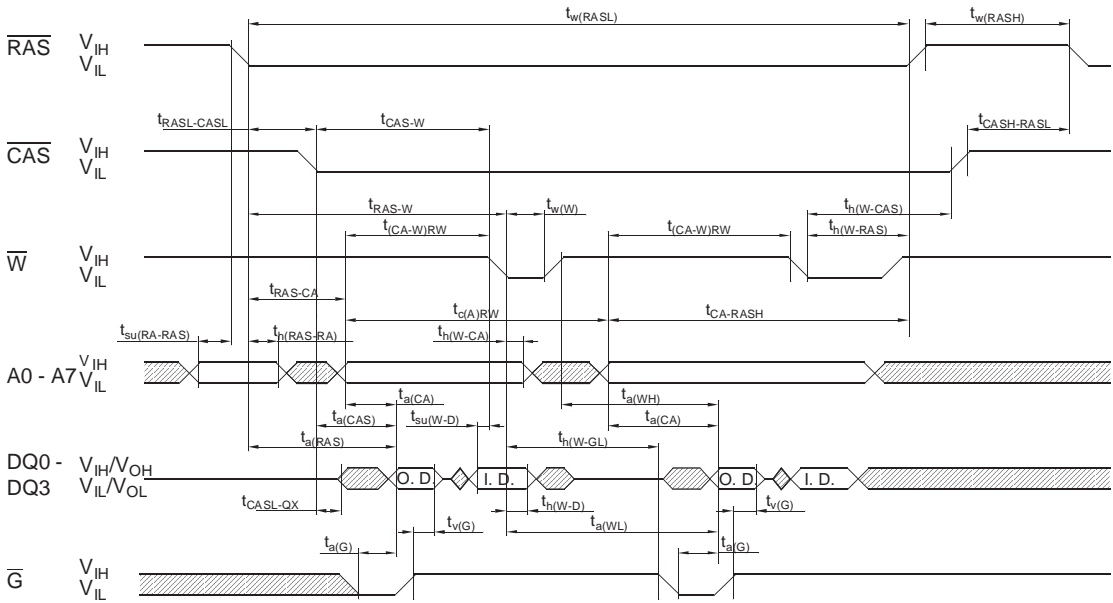
SCM Read



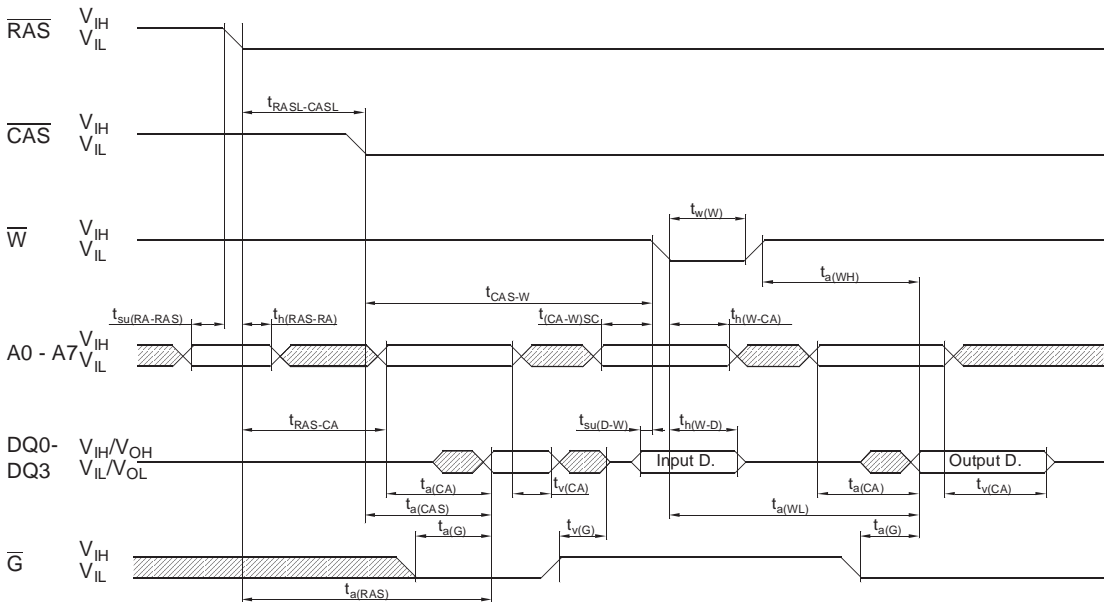
SCM Write (CAS-controlled)



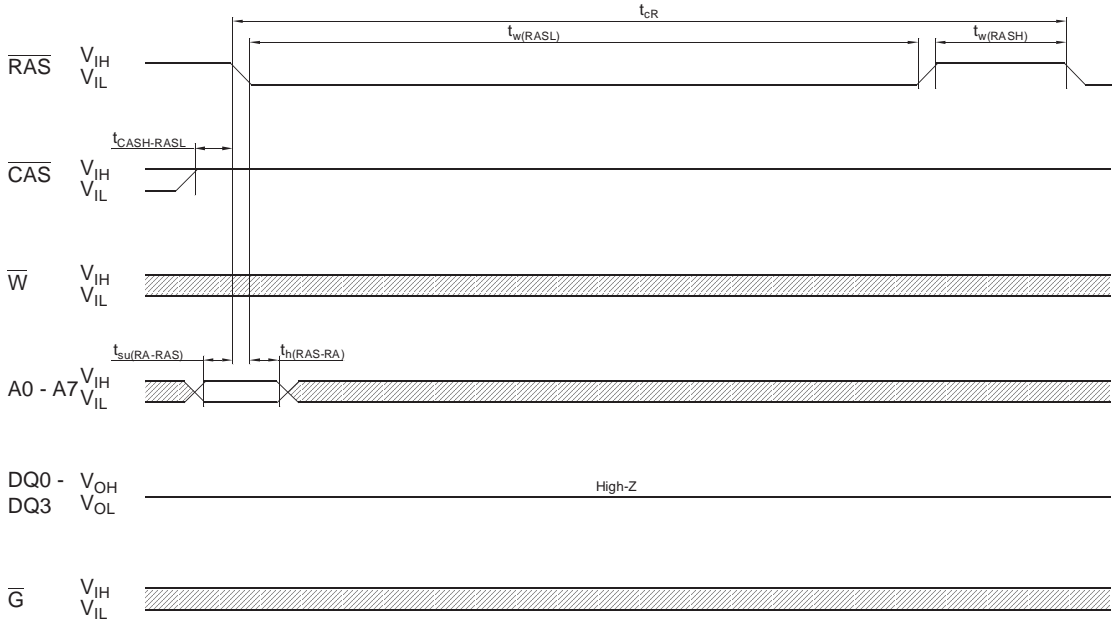
SCM Read-Write



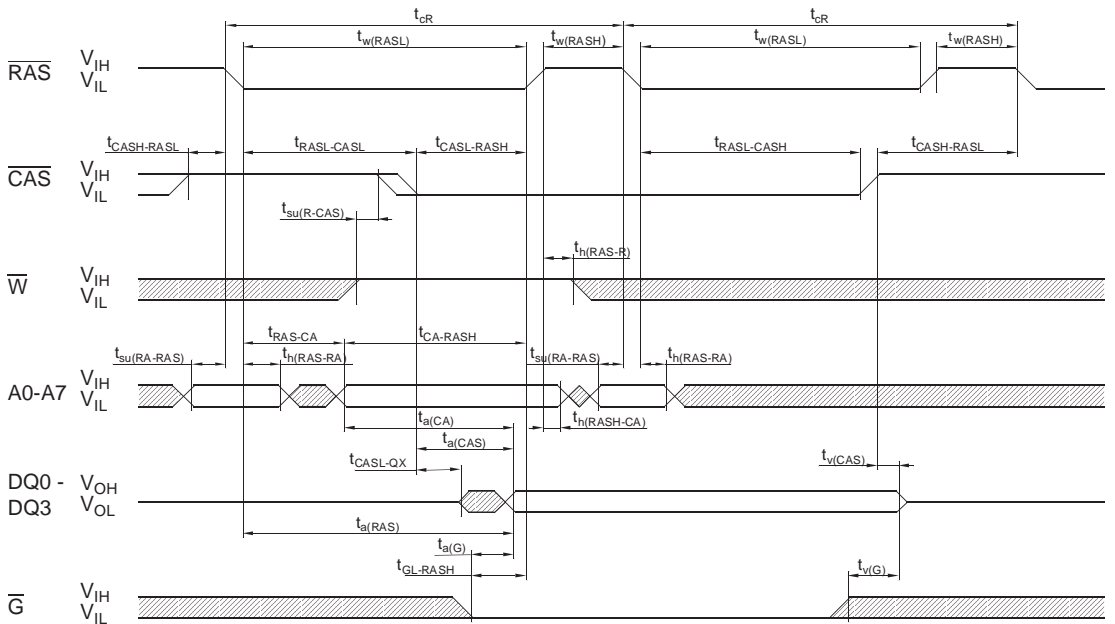
SCM Read-Write Mixed Cycle



RAS only Refresh



HIDDEN Refresh with address transfer





Memory Products 1998 64K x 4 DRAM UD61466

LIFE SUPPORT POLICY

ZMD products are not designed, intended, or authorized for use as components in systems intended for surgical implant into the body, or other applications intended to support or sustain life, or for any other application in which the failure of the ZMD product could create a situation where personal injury or death may occur. Components used in life-support devices or systems must be expressly authorized by ZMD for such purpose.

The information describes the type of component and shall not be considered as assured characteristics.

Terms of delivery and rights to change design reserved.

Zentrum Mikroelektronik Dresden GmbH

Grenzstraße 28 • D-01109 Dresden • P. O. B. 80 01 34 • D-01101 Dresden • Germany
Phone: +49 351 88 22-3 06 • Fax: +49 351 88 22-3 37 • Email: sales@zmd.de
Internet Web Site: <http://www.zmd.de>