



U74ACT86

CMOS IC

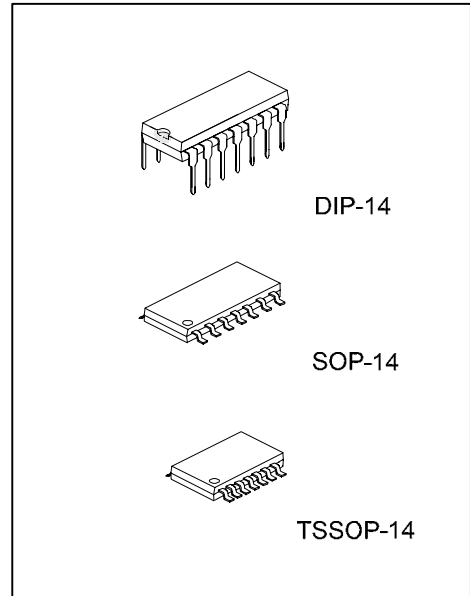
QUAD EXCLUSIVE OR GATE

DESCRIPTION

The **U74ACT86** consists of four EXCLUSIVE OR GATE it provides the function $Y=A \oplus B$, the device is designed to interface directly High Speed CMOS systems with TTL, NMOS and CMOS output voltage levels.

FEATURES

- * Operation voltage range: 4.5~5.5V
- * Low power dissipation: $I_{CC}=2\mu A(\text{Max})$
- * High noise immunity
- * Compatible with TTL output



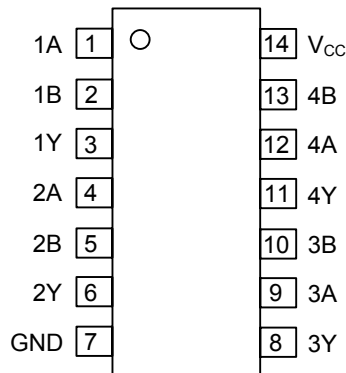
*Pb-free plating product number:
U74ACT86L

ORDERING INFORMATION

Ordering Number		Package	Packing
Normal	Lead Free Plating		
U74ACT86-D14-T	U74ACT86L-D14-T	DIP-14	Tube
U74ACT86-S14-T	U74ACT86L-S14-T	SOP-14	Tube
U74ACT86-S14-R	U74ACT86L-S14-R	SOP-14	Tape Reel
U74ACT86-P14-T	U74ACT86L-P14-T	TSSOP-14	Tube

<p>U74ACT86L-D14-T</p> <p>(1)Packing Type (2)Package Type (3)Lead Plating</p>	<p>(1) R: Tape Reel, T: Tube (2) D14: DIP-14, S14: SOP-14, P14: TSSOP-14 (3) L: Lead Free Plating, Blank: Pb/Sn</p>
---	---

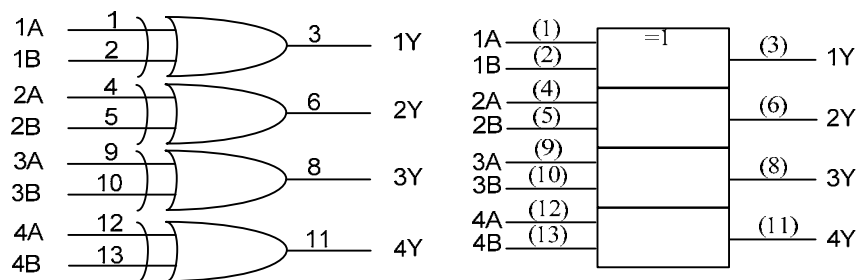
■ PIN CONFIGURATION



■ FUNCTION TABLE (each gate)

INPUT		OUTPUT
A	B	Y
L	L	L
L	H	H
H	L	H
H	H	L

■ LOGIC DIAGRAM (positive logic)



■ ABSOLUTE MAXIMUM RATINGS (unless otherwise specified)

PARAMETER	SYMBOL	RATINGS	UNIT
Supply Voltage	V_{CC}	-0.5~7	V
Input Voltage	V_{IN}	-0.5~ $V_{CC}+0.5$	V
DC Output Voltage	V_{OUT}	-0.5~ $V_{CC}+0.5$	V
Input Clamp Current ($V_{IN}<0$)	I_{IK}	±20	mA
Output Clamp Current ($V_{OUT}<0$)	I_{OK}	±20	mA
Output Current	I_{OUT}	±50	mA
V_{CC} or GND Current	I_{CC}	±200	mA
Storage Temperature	T_{STG}	-65 ~ +150	

Note: Absolute maximum ratings are those values beyond which the device could be permanently damaged.

Absolute maximum ratings are stress ratings only and functional device operation is not implied.

■ RECOMMENDED OPERATING CONDITIONS

PARAMETER	SYMBOL	RATING	UNIT
Supply Voltage	V_{CC}	4.5 ~ 5.5	V
Input Voltage	V_{IN}	0 ~ V_{CC}	V
Output Voltage	V_{OUT}	0 ~ V_{CC}	V
Input Transition Rise or Fall Rate	t_R, t_F	8	ns/V
Operating Temperature	T_A	-55 ~ +125	

■ STATIC CHARACTERISTICS

PARAMETER	SYMBOL	TEST CONDITIONS	MIN	TYP	MAX	UNIT
High-Level Input Voltage	V_{IH}	$V_{CC}=4.5V\sim 5.5V, V_{OUT}=0.1V$ or $V_{CC}-0.1V$	2.0	1.5		V
Low-Level Input Voltage	V_{IL}	$V_{CC}=4.5V\sim 5.5V, V_{OUT}=0.1V$ or $V_{CC}-0.1V$		1.5	0.8	V
High-Level Output Voltage	V_{OH}	$V_{CC}=4.5V, I_{OH}=-50\mu A$	4.4	4.49		V
		$V_{CC}=5.5V, I_{OH}=-50\mu A$	5.4	5.49		
		$V_{CC}=4.5V, I_{OH}=-24mA$	3.86			
		$V_{CC}=5.5V, I_{OH}=-24mA$	4.86			
Low-Level Output Voltage	V_{OL}	$V_{CC}=4.5V, I_{OL}=50\mu A$		0.001	0.1	V
		$V_{CC}=5.5V, I_{OL}=50\mu A$		0.001	0.1	
		$V_{CC}=4.5V, I_{OL}=24mA$			0.36	
		$V_{CC}=5.5V, I_{OL}=24mA$			0.36	
Input Leakage Current	$I_{I(LEAK)}$	$V_{CC}=5.5V, V_{IN}=5.5V$ or GND			±0.1	μA
Quiescent Supply Current	I_Q	$V_{CC}=5.5V, V_{IN}=V_{CC}$ or GND, $I_{OUT}=0$			2	μA
Additional Quiescent Supply Current	ΔI_Q	$V_{CC}=5.5V, V_{IN}=3.4V$; other input at V_{CC} or GND; $I_{OUT}=0$		0.6		mA
Input Capacitance	C_{IN}	$V_{CC}=5.0V, V_{IN}=V_{CC}$ or GND		5		pF

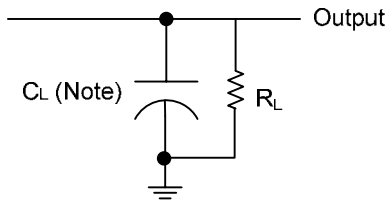
■ DYNAMIC CHARACTERISTIC (input $t_R = t_F = 3ns, T_A = 25^\circ C$)

PARAMETER	SYMBOL	TEST CONDITION	MIN	TYP	MAX	UNIT
Propagation Delay Time	$t_{PLH} t_{PHL}$	$V_{CC} = 5.0V \pm 0.5V, C_L = 50pF, R_L = 500\Omega$	1.5	5.0	9.5	ns

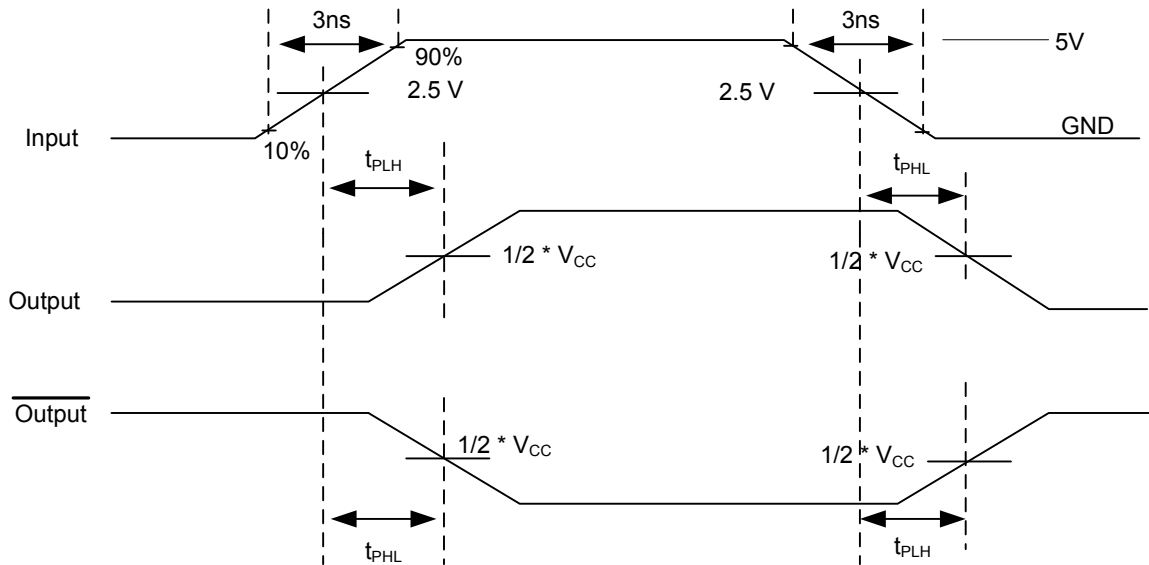
■ OPERATING CHARACTERISTIC

PARAMETER	SYMBOL	TEST CONDITION	MIN	TYP	MAX	UNIT
Power Dissipation Capacitance	Cpd	$V_{CC} = 5.0V$		30		pF

■ TEST CIRCUIT AND WAVEFORMS



Note: C_L includes probe and jig capacitance.



UTC assumes no responsibility for equipment failures that result from using products at values that exceed, even momentarily, rated values (such as maximum ratings, operating condition ranges, or other parameters) listed in products specifications of any and all UTC products described or contained herein. UTC products are not designed for use in life support appliances, devices or systems where malfunction of these products can be reasonably expected to result in personal injury. Reproduction in whole or in part is prohibited without the prior written consent of the copyright owner. The information presented in this document does not form part of any quotation or contract, is believed to be accurate and reliable and may be changed without notice.