

Service Manual

Colour Television

TX-25MD1P

EURO-2 Chassis

Specifications

| | |
|---------------------------------|----------------------------------------------------------------------------------------------------------------------------------------------------------------------------------------|
| Power Source : | 220-240V AC 50Hz |
| Power Consumption : | 135W |
| Aerial Impedance : | 75Ω unbalanced, Coaxial Type |
| Receiving System : | PAL-B/G D/K, PAL-60 SECAM B/G D/K NTSC/M.NTSC |
| Receiving Channels : | VHF E2 – E12 VHF R1 – R2 VHF R3 – R5 VHF R6 – R12 UHF E21 – E69 CATV (S01 – S05) CATV S1 – S10 (M1 – M10) CATV S11 – S20 (U1 – U10) CATV S21 – S41 (HYPERBAND) |
| Intermediate Frequency : | |
| Video | 38.9 MHz |
| Sound | 33.4MHz 33.16MHz 32.4MHz |
| Colour | 34.47 MHz (PAL) 34.5MHz 34.65MHz (SECAM) |

Video / Audio

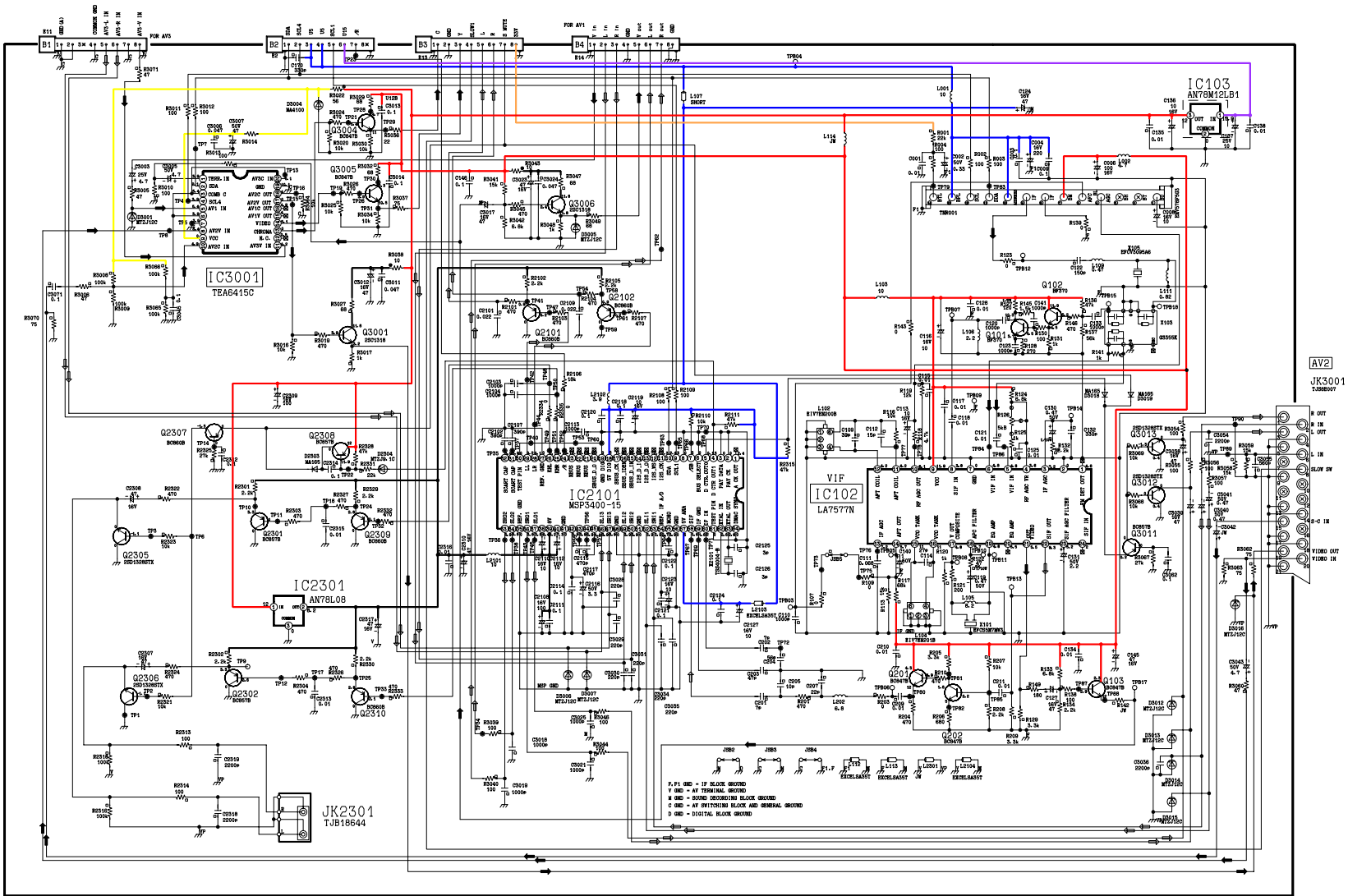
Terminals :

| | |
|-------------------|-----------------------------------------------------------------------------------------------------------------------|
| AUDIO MONITOR OUT | Audio(RCA x 2) 500mV rms,1 kΩ |
| AV1 IN | Video (21 pin) 1V p-p 75Ω Audio (21 pin) 500mV rms,10kΩ RGB (21 pin) |
| AV1 OUT | Video (21 pin) 1V p-p 75Ω Audio (21 pin) 500mV rms, 1kΩ |
| AV2 IN | Video (21 pin) 1V p-p 75Ω Audio (21 pin) 500mV rms,10 kΩ S-Video IN Y : 1V p-p 75Ω (21 pin) C : 0.3V p-p 75Ω |

| | |
|-------------------------------|------------------------------------------------------------|
| AV2 OUT | Video (21 pin) 1V p-p 75Ω Audio (21 pin) 500mV rms, 1kΩ |
| AV3 IN | Audio (RCA x 2)500mV rms,10kΩ Video (RCA x 1)1V p-p 75Ω |
| High Voltage : | 28kV ±1kV at zero beam current |
| Picture Tube : | A59ECF20X12 63 cm measured diagonally. |
| Audio Output : | |
| Internal Speaker | 2 x 15 W (Music Power) 8Ω Impedance |
| Headphones | 1 x 8 Ω Impedance |
| Accessories supplied : | Remote Control UM3 Battery |
| Dimensions : | Height : 531 mm Width : 601 mm Depth : 440mm |
| Net Weight | 25kg |

Specifications are subject to change without notice.
Weight and dimensions shown are approximate.

Panasonic



JK3001
T388007

F.F1 GND = 12 BLOCK GROUND
 V GND = AT TERMINAL GROUND
 W GND = SOURCE TERMINAL BLOCK GROUND
 C GND = AT SWITCHING BLOCK AND GENERAL GROUND
 D GND = DIGITAL BLOCK GROUND

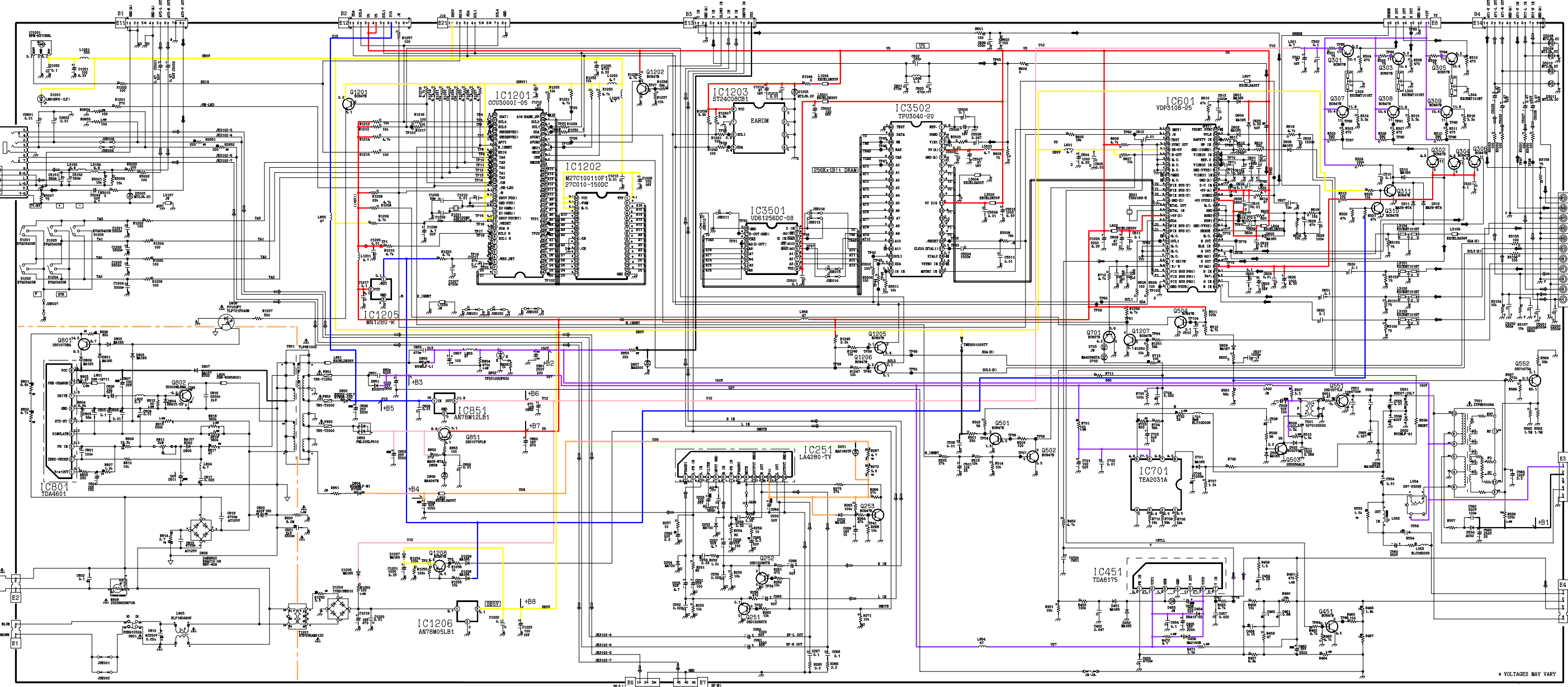
JK3102
TJB16675

AV3

JK3101
TJB88007

AV1

AC_CORD
TSXB0017 (UK)



* VOLTAGES MAY VARY

