



# TSM1051

## CONSTANT VOLTAGE AND CONSTANT CURRENT CONTROLLER FOR BATTERY CHARGERS AND ADAPTORS

- **CONSTANT VOLTAGE AND CONSTANT CURRENT CONTROL**
- **LOW VOLTAGE OPERATION**
- **PRECISION INTERNAL VOLTAGE REFERENCE**
- **LOW EXTERNAL COMPONENT COUNT**
- **CURRENT SINK OUTPUT STAGE**
- **EASY COMPENSATION**
- **LOW AC MAINS VOLTAGE REJECTION**

### DESCRIPTION

TSM1051 is a highly integrated solution for SMPS applications requiring CV (constant voltage) and CC (constant current) mode.

TSM1051 integrates one voltage reference, two operational amplifiers (with ORed outputs - common collectors), and a current sensing circuit. The voltage reference combined with one operational amplifier makes it an ideal voltage controller, and the other low voltage reference combined with the other operational amplifier makes it an ideal current limiter for output low side current sensing.

The current threshold is fixed, and precise.

The only external components are:

\* a resistor bridge to be connected to the output of the power supply (adapter, battery charger) to set the voltage regulation by dividing the desired output voltage to match the internal voltage reference value.

\* a sense resistor having a value and allowable dissipation power which need to be chosen according to the internal voltage threshold.

\* optional compensation components (R and C).

TSM1051, housed in one of the smallest package available, is ideal for space shrinked applications such as adapters and battery chargers.

### APPLICATIONS

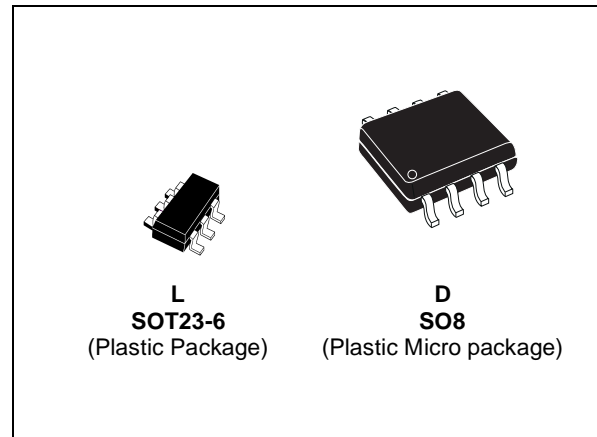
- **ADAPTERS**
- **BATTERY CHARGERS**

### ORDER CODE

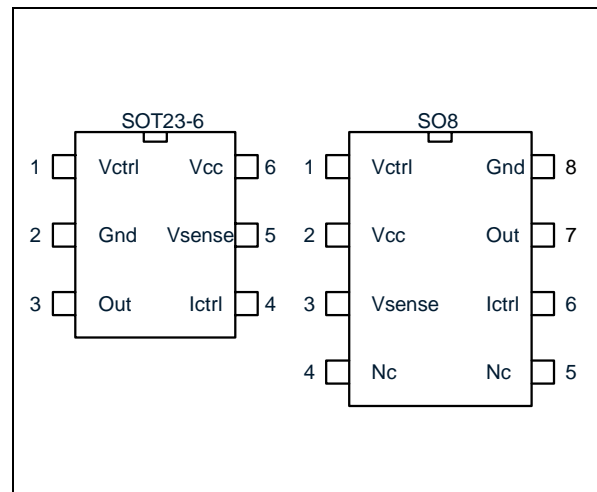
Part Number	Temperature Range	Package		Marking
		L	D	
TSM1051CLT	0 to 85°C	•		M801
TSM1051CD	0 to 85°C		•	M1051C

L = Tiny Package (SOT23-6) - only available in Tape & Reel (LT)

D = Small Outline Package (SO) - also available in Tape & Reel (DT)



### PIN CONNECTIONS (top view)



## PIN DESCRIPTION

## SOT23-6 Pinout

Name	Pin #	Type	Function
Vcc	6	Power Supply	Positive Power Supply Line
Gnd	2	Power Supply	Ground Line. 0V Reference For All Voltages
Vctrl	1	Analog Input	Input Pin of the Voltage Control Loop
Ictrl	4	Analog Input	Input Pin of the Current Control Loop
Out	3	Current Sink Output	Output Pin. Sinking Current Only
Vsense	5	Analog Input	Input Pin of the Current Control Loop

## SO8 Pinout

Name	Pin #	Type	Function
Vcc	2	Power Supply	Positive Power Supply Line
Gnd	8	Power Supply	Ground Line. 0V Reference For All Voltages
Vctrl	1	Analog Input	Input Pin of the Voltage Control Loop
Ictrl	6	Analog Input	Input Pin of the Current Control Loop
Out	7	Current Sink Output	Output Pin. Sinking Current Only
Vsense	3	Analog Input	Input Pin of the Current Control Loop
NC	5		
NC	4		

## ABSOLUTE MAXIMUM RATINGS

Symbol	DC Supply Voltage	Value	Unit
Vcc	DC Supply Voltage	14	V
Vi	Input Voltage	-0.3 to Vcc	V
Top	Operating Free Air Temperature Range	0 to 85	°C
Tj	Maximum Junction Temperature	150	°C
Rthja	Thermal Resistance Junction to Ambient SO8 package	130	°C/W
Rthja	Thermal Resistance Junction to Ambient SOT23-6 package	250	°C/W

**OPERATING CONDITIONS**

Symbol	Parameter	Value	Unit
Vcc	DC Supply Conditions	2.5 to 12	V

**ELECTRICAL CHARACTERISTICS**

Tamb = 25°C and Vcc = +5V (unless otherwise specified)

Symbol	Parameter	Test Condition	Min	Typ	Max	Unit
<b>Total Current Consumption</b>						
Icc	Total Supply Current - not taking the output sinking current into account	Tamb 0 < Tamb < 85°C		1.1 1.2	2	mA
<b>Voltage Control Loop</b>						
Gmv	Transconductance Gain (Vctrl). Sink Current Only <sup>1)</sup>	Tamb 0 < Tamb < 85°C	1	3.5 2.5		mA/mV
Vref	Voltage Control Loop Reference <sup>2)</sup>	Tamb 0 < Tamb < 85°C	1.198 1.186	1.21	1.222 1.234	V
libv	Input Bias Current (Vctrl)	Tamb 0 < Tamb < 85°C		50 100		nA
<b>Current Control Loop</b>						
Gmi	Transconductance Gain (Ictrl). Sink Current Only <sup>3)</sup>	Tamb 0 < Tamb < 85°C	1.5	7		mA/mV
Vsense	Current Control Loop Reference <sup>4)</sup>	Iout = 2.5mA Tamb 0 < Tamb < 85°C	196 192	200	204 208	mV
libi	Current out of pin ICTRL at -200mV	Tamb 0 < Tamb < 85°C		25 50		μA
<b>Output Stage</b>						
Vol	Low output voltage at 10 mA sinking current	Tamb 0 < Tamb < 85°C		200		mV
Ios	Output Short Circuit Current. Output to Vcc. Sink Current Only	Tamb 0 < Tamb < 85°C		27 35	50	mA

1. If the voltage on VCTRL (the negative input of the amplifier) is higher than the positive amplifier input (Vref=1.210V), and it is increased by 1mV, the sinking current at the output OUT will be increased by 3.5mA.
2. The internal Voltage Reference is set at 1.210V (bandgap reference). The voltage control loop precision takes into account the cumulative effects of the internal voltage reference deviation as well as the input offset voltage of the trans-conductance operational amplifier. The internal Voltage Reference is fixed by bandgap, and trimmed to 0.5% accuracy at room temperature.
3. When the positive input at ICTRL is lower than -200mV, and the voltage is decreased by 1mV, the sinking current at the output OUT will be increased by 7mA.
4. The internal current sense threshold is set to -200mV. The current control loop precision takes into account the cumulative effects of the internal voltage reference deviation as well as the input offset voltage of the trans-conduction operational amplifier.

Figure 1 : Internal Schematic

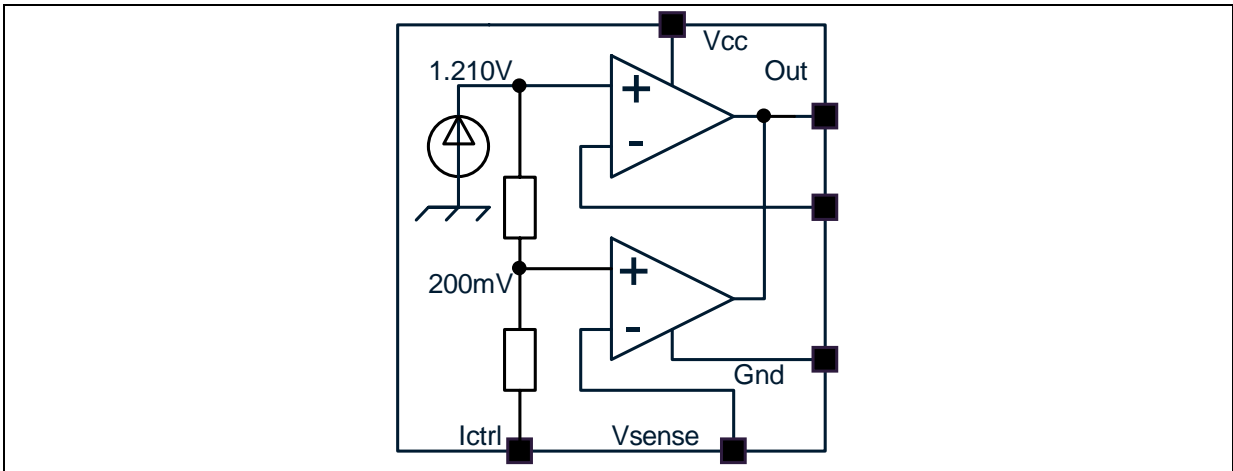
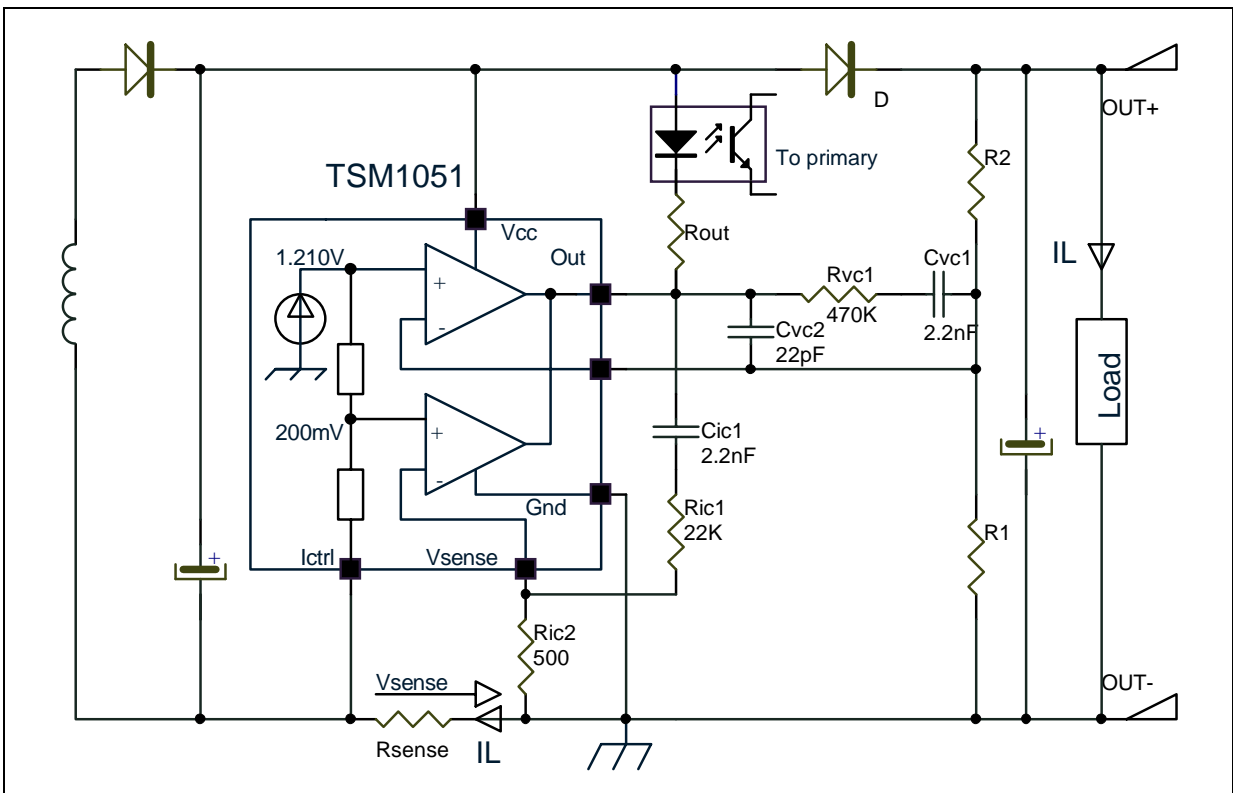


Figure 2 : Typical Adapter or Battery Charger Application Using TSM1051



In the above application schematic, the TSM1051 is used on the secondary side of a flyback adapter (or battery charger) to provide an accurate control of voltage and current. The above feedback loop is made with an optocoupler.

Figure 3 : Vref vs Ambient Temperature

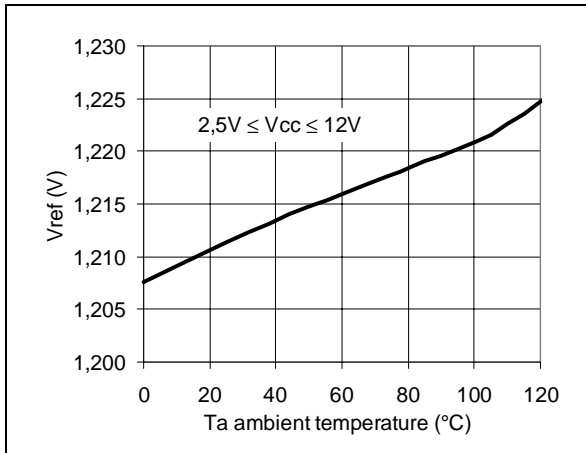


Figure 6 : Vsense vs Ambient Temperature

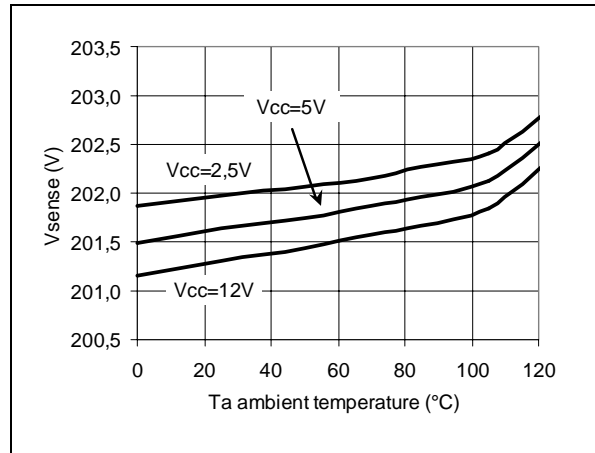


Figure 4 : Vsense pin input bias current vs Ambient Temperature

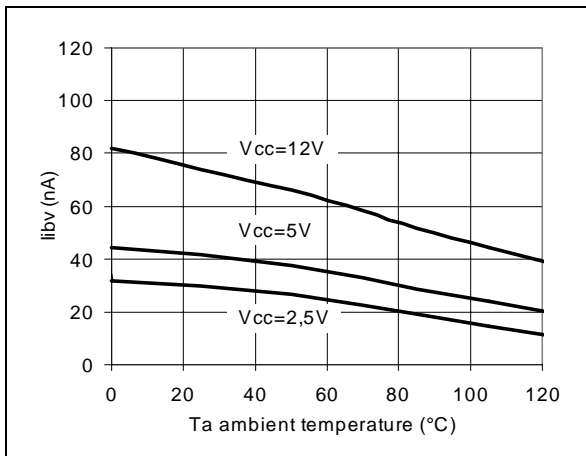


Figure 7 : Ictrl pin input bias current vs Ambient Temperature

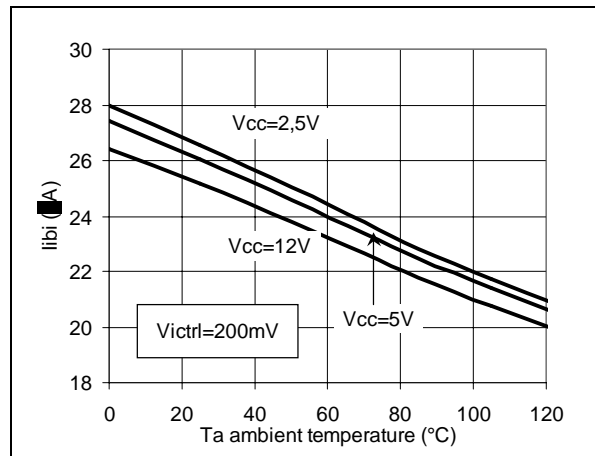


Figure 5 : Output short circuit current vs Ambient Temperature

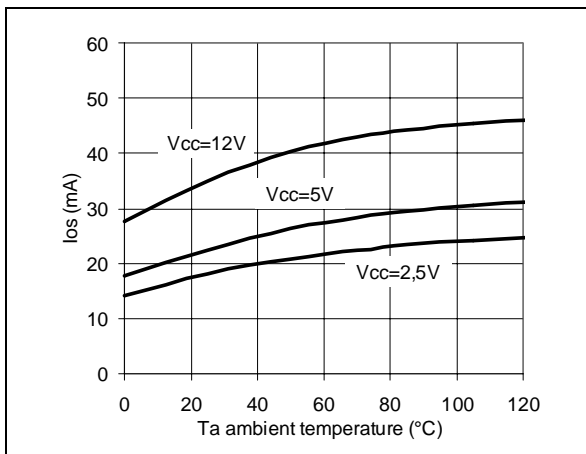
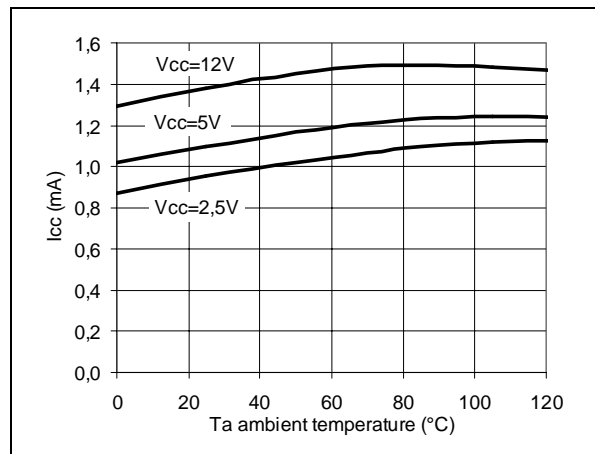


Figure 8 : Supply current vs Ambient Temperature



## PRINCIPLE OF OPERATION AND APPLICATION HINTS

### 1. Voltage and Current Control

#### 1.1. Voltage Control

The voltage loop is controlled via a first trans-conductance operational amplifier, the resistor bridge R1, R2, and the optocoupler which is directly connected to the output.

The relation between the values of R1 and R2 should be chosen as written in Equation 1.

$$R1 = R2 \times V_{ref} / (V_{out} - V_{ref}) \quad \text{Eq1}$$

Where  $V_{out}$  is the desired output voltage.

To avoid the discharge of the load, the resistor bridge R1, R2 should be highly resistive. For this type of application, a total value of 100K $\Omega$  (or more) would be appropriate for the resistors R1 and R2.

As an example, with R2 = 100K $\Omega$ ,  $V_{out}$  = 4.10V,  $V_{ref}$  = 1.210V, then R1 = 41.9K $\Omega$ .

Note that if the low drop diode should be inserted between the load and the voltage regulation resistor bridge to avoid current flowing from the load through the resistor bridge, this drop should be taken into account in the above calculations by replacing  $V_{out}$  by  $(V_{out} + V_{drop})$ .

#### 1.2. Current Control

The current loop is controlled via the second trans-conductance operational amplifier, the sense resistor  $R_{sense}$ , and the optocoupler.

The control equation verifies:

$$R_{sense} \times I_{lim} = V_{sense} \quad \text{eq2}$$

$$R_{sense} = V_{sense} / I_{lim} \quad \text{eq2'}$$

where  $I_{lim}$  is the desired limited current, and  $V_{sense}$  is the threshold voltage for the current control loop.

As an example, with  $I_{lim}$  = 1A,  $V_{sense}$  = -200mV, then  $R_{sense}$  = 200m $\Omega$ .

Note that the  $R_{sense}$  resistor should be chosen taking into account the maximum dissipation ( $P_{lim}$ ) through it during full load operation.

$$P_{lim} = V_{sense} \times I_{lim} \quad \text{eq3}$$

As an example, with  $I_{lim}$  = 1A, and  $V_{sense}$  = 200mV,  $P_{lim}$  = 200mW.

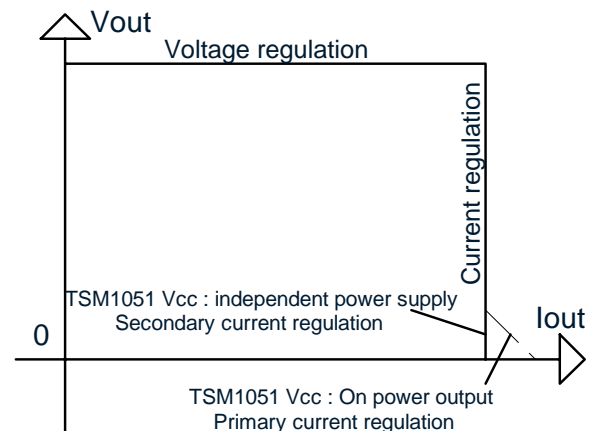
Therefore, for most adapter and battery charger applications, a quarter-watt, or half-watt resistor to make the current sensing function is sufficient.

$V_{sense}$  threshold is achieved internally by a resistor bridge tied to the  $V_{ref}$  voltage reference. Its middle point is tied to the positive input of the current control operational amplifier, and its foot is to be connected to lower potential point of the sense resistor as shown on the following figure. The resistors of this bridge are matched to provide the best precision possible.

The current sinking outputs of the two trans-conductance operational amplifiers are common (to the output of the IC). This makes an ORing function which ensures that whenever the current or the voltage reaches too high values, the optocoupler is activated.

The relation between the controlled current and the controlled output voltage can be described with a square characteristic as shown in the following V/I output-power graph.

**Figure 9 :** Output voltage versus output current



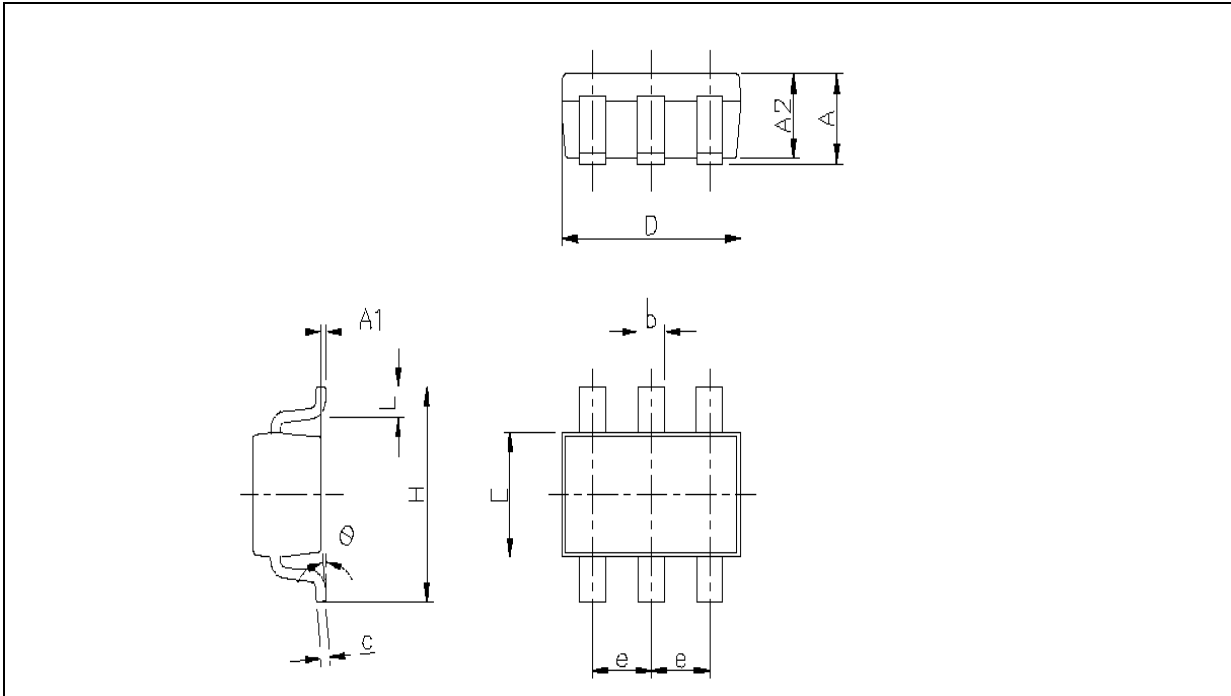
### 2. Compensation

The voltage-control trans-conductance operational amplifier can be fully compensated. Both of its output and negative input are directly accessible for external compensation components.

An example of a suitable compensation network is shown in Fig.2. It consists of a capacitor  $C_{vc1}=2.2nF$  and a resistor  $R_{cv1}=470K\Omega$  in series,



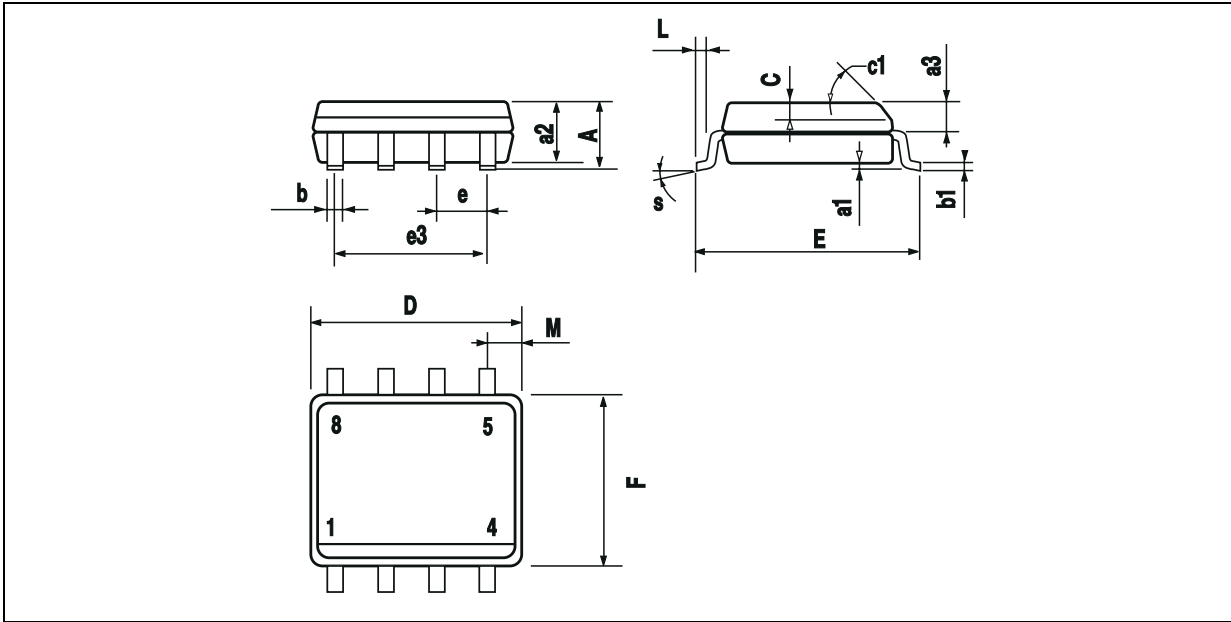
**PACKAGE MECHANICAL DATA**  
6 PINS - PLASTIC PACKAGE SOT23-6



Dimensions	Millimeters			Inches		
	Min.	Typ.	Max.	Min.	Typ.	Max.
A	0.9		1.45	0.035		0.057
A1	0		0.15	0		0.006
A2	0.9		1.3	0.035		0.0512
B	0.35		0.5	0.0137		0.02
c	0.09		0.2	0.004		0.008
D	2.8		3	0.11		0.118
E	1.5		1.75	0.059		0.0689
e		0.95			0.0374	
H	2.6		3	0.102		0.118
L	0.1		0.6	0.004		0.024
θ	0		10 deg.	0		10 deg.



**PACKAGE MECHANICAL DATA**  
**8 PINS - PLASTIC MICROPACKAGE (SO8)**



Dim.	Millimeters			Inches		
	Min.	Typ.	Max.	Min.	Typ.	Max.
A			1.75			0.069
a1	0.1		0.25	0.004		0.010
a2			1.65			0.065
a3	0.65		0.85	0.026		0.033
b	0.35		0.48	0.014		0.019
b1	0.19		0.25	0.007		0.010
C	0.25		0.5	0.010		0.020
c1	45° (typ.)					
D	4.8		5.0	0.189		0.197
E	5.8		6.2	0.228		0.244
e		1.27			0.050	
e3		3.81			0.150	
F	3.8		4.0	0.150		0.157
L	0.4		1.27	0.016		0.050
M			0.6			0.024
S	8° (max.)					

Information furnished is believed to be accurate and reliable. However, STMicroelectronics assumes no responsibility for the consequences of use of such information nor for any infringement of patents or other rights of third parties which may result from its use. No license is granted by implication or otherwise under any patent or patent rights of STMicroelectronics. Specifications mentioned in this publication are subject to change without notice. This publication supersedes and replaces all information previously supplied. STMicroelectronics products are not authorized for use as critical components in life support devices or systems without express written approval of STMicroelectronics.

© The ST logo is a registered trademark of STMicroelectronics

© 2002 STMicroelectronics - Printed in Italy - All Rights Reserved  
 STMicroelectronics GROUP OF COMPANIES

Australia - Brazil - Canada - China - Finland - France - Germany - Hong Kong - India - Israel - Italy - Japan - Malaysia  
 Malta - Morocco - Singapore - Spain - Sweden - Switzerland - United Kingdom - United States

© <http://www.st.com>