

Six-conductor plug with straight cover

● Material · Finish

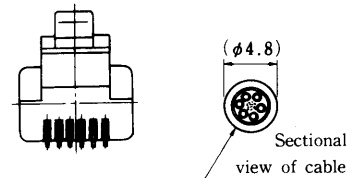
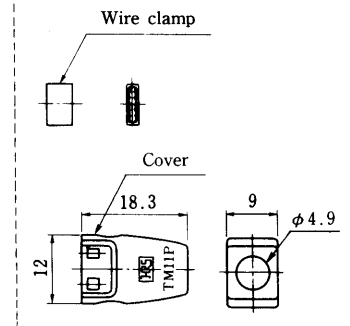
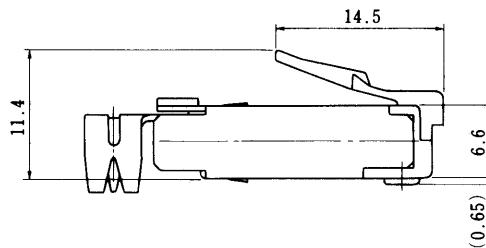
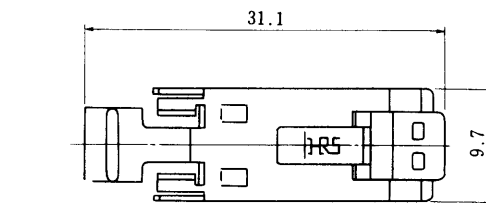
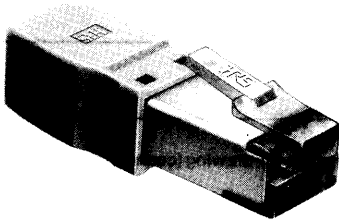
Part name	Material	Finish
Plug case	Polycarbonate	Clear
Terminal	Phosphor Bronze	Gold plate
Cover	Polycarbonate	Beige

Applicable Cable	
Conductor diameter	Copper foil or AWG #26 ϕ 0.9- ϕ 1.0
Insulator diameter	Less than

● Electrical Performance

Description	Condition	Specification
Current Capacity	Per pin	0.5A
Rated Voltage	Per pin	125V AC
Insulation Resistance	At DC 100V	100M Ω Min.
Withstand Voltage	For 1 minute	AC 500V r.m.s

● TM11P-66P CL222-2149-9

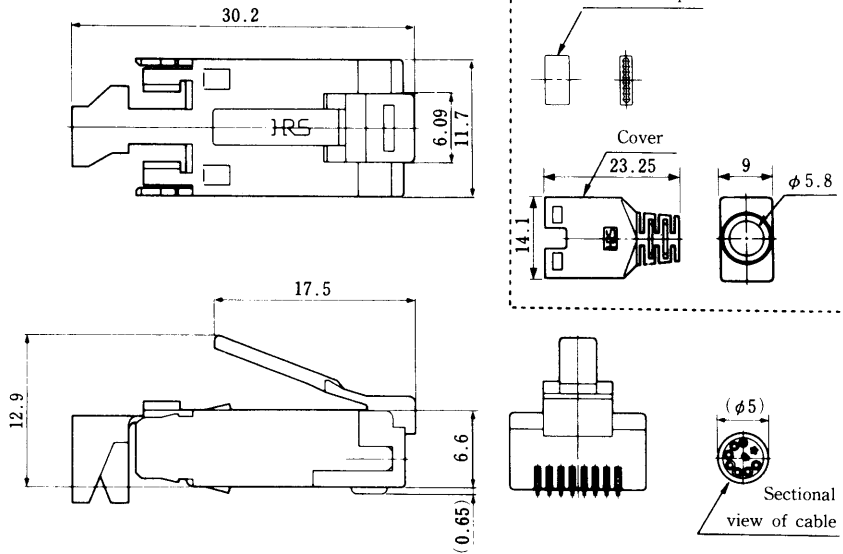
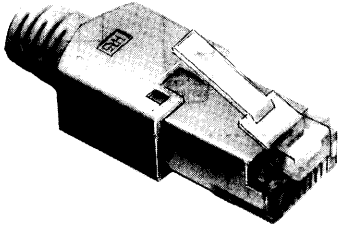


HRS No.	Part No.	Cover Color
CL222-2149-9	TM11P-66P	Beige
CL222-2149-9-03	TM11P-66P(03)	Black

(Number of plugs in package: 100)

Eight-conductor plug with straight cover

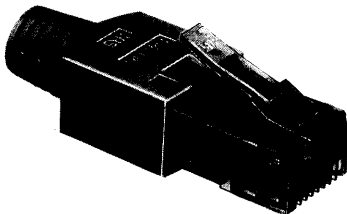
● TM11AP-88P
CL222-2780-6



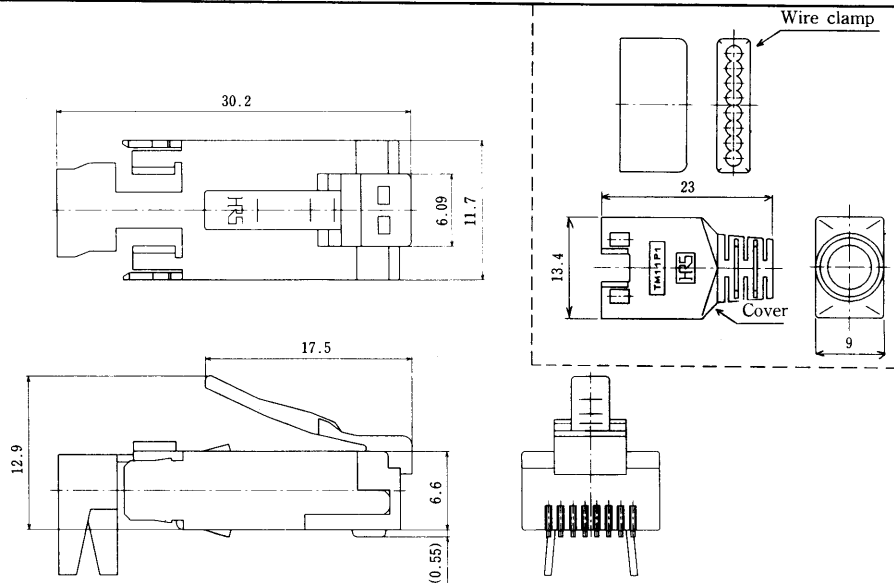
HRS No.	Part No.	Cover color
CL222-2780-6	TM11AP-88P	Beige
CL222-2780-6-03	TM11AP-88P(03)	Black
CL222-2780-6-02	TM11AP-88P(02)	Gray

(Number of plugs in package : 100)

Eight-conductor thin straight plug with cover (compatible with strip jack)




CL222-2782-1
TM11AP1-88



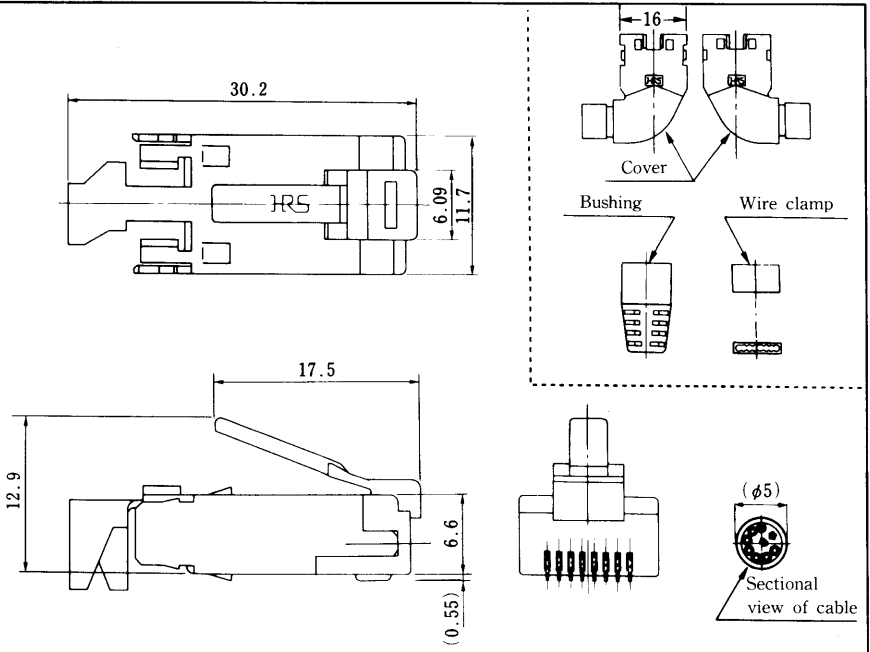
HRS No.	Part No.	Cover color
CL222-2782-1	TM11AP1-88P	Light beige
CL222-2782-1-02	TM11AP1-88P(02)	Medium grey
CL222-2782-1-03	TM11AP1-88P(03)	Black
CL222-2782-1-04	TM11AP1-88P(04)	Natural light grey
CL222-2782-1-05	TM11AP1-88P(05)	Red
CL222-2782-1-06	TM11AP1-88P(06)	Green
CL222-2782-1-07	TM11AP1-88P(07)	Blue
CL222-2782-1-08	TM11AP1-88P(08)	Yellow
CL222-2782-1-09	TM11AP1-88P(09)	Orange

(Number of plugs in package : 100)

L-shaped 8-conductor plug with cover



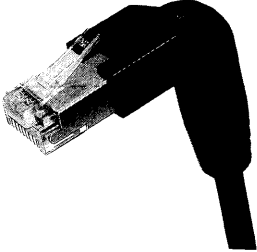
CL222-1643-0(03)
TM11APA-88P(03)



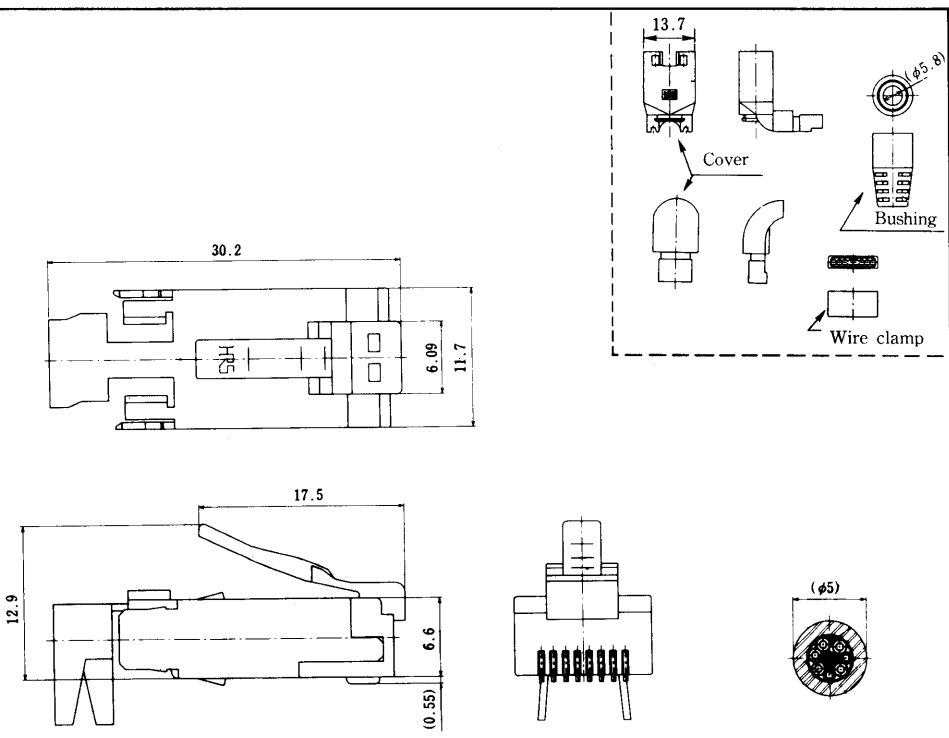
HRS No.	Part No.	Cover Color
CL222-2781-9	TM11APA-88P	Beige
CL222-2781-9-03	TM11APA-88P(03)	Black

(Number of plugs in package : 100)

T-shaped 8-conductor plug with cover



TM11PA1-88P
222-2783-4



Note : Cover standard color is black.

(Number of plugs in package : 100)

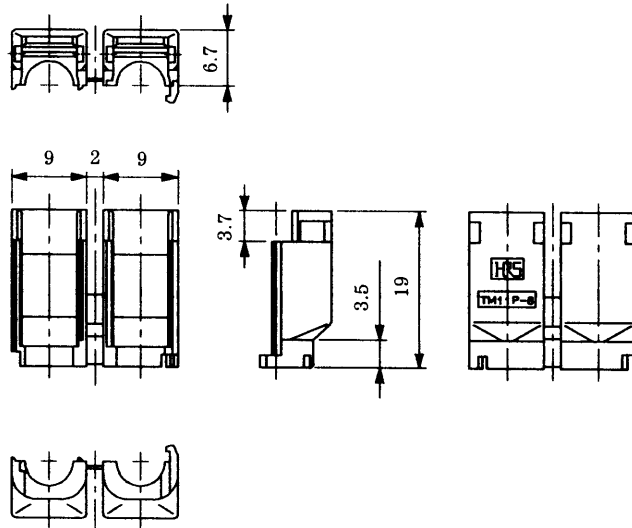
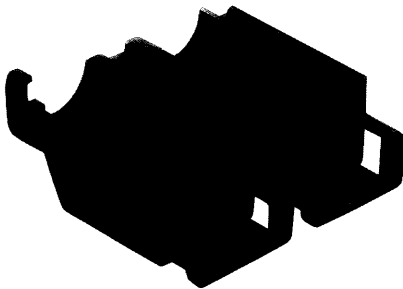
SPLIT TYPE PLUG COVER CASE TM11P-8-CV

■ GENERAL

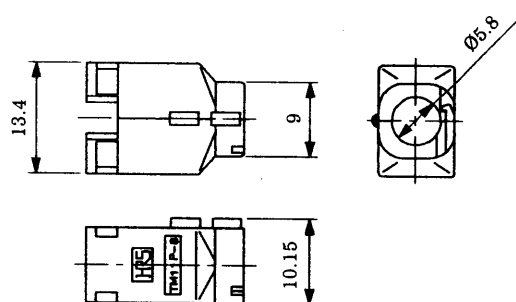
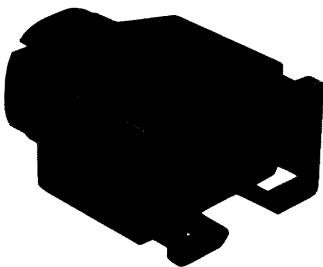
This cover case is suitable for eight-conductor EMI-protected "TM11 SERIES" plug connector.

■ FEATURES

- (1) Split type plug cover can simplify connection work procedure and reduces troubles on connection work.
- (2) Need not re-connect when you change cover. (Eg. Changing the color of cover)
- (3) Can be assembled easily without special tool.



Cover engaging drawing



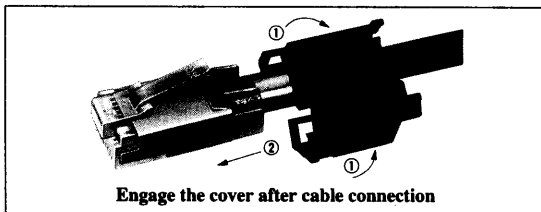
MAIN SPECIFICATION

Material	Polyamide resin
Applicable connector	TM11AP-88P
Diameter of applicable cable	ø5 (Standard)

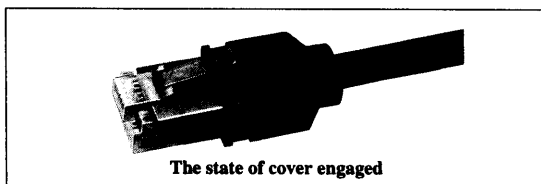
HRS No.	Product No.	Color
CL222-2773-0-11	TM11P-8-CV (11)	Light beige
CL222-2773-0-12	TM11P-8-CV (12)	Medium gray
CL222-2773-0-13	TM11P-8-CV (13)	Black
CL222-2773-0-14	TM11P-8-CV (14)	Natural light gray
CL222-2773-0-15	TM11P-8-CV (15)	Red
CL222-2773-0-16	TM11P-8-CV (16)	Green
CL222-2773-0-17	TM11P-8-CV (17)	Blue
CL222-2773-0-18	TM11P-8-CV (18)	Yellow
CL222-2773-0-19	TM11P-8-CV (19)	Orange

(Number of cover in package :50 pcs)

HOW TO INSTALL COVER



- (1) Engage the cover over the cable in the direction shown in the example.



- (2) Slide the engaged cover and lock it.

● PLUG WIRING TOOL

Jig Plug	Cable Cramp Jig		Terminal Crimping Jig	
	HRS No.	Product No.	HRS No.	Product No.
TM11P「J」-66P		TM11P66P cable crimping	CL901-0938-4	Applicator 105TM11P-66P
	CL902-0132-8	Hand press HOS-7	CL901-0005-4	Model 105 crimping tool
TM11P「J」-88P	CL902-0077-1	TM11P88P cable crimping jig	CL901-0221-0	Applicator 105TM11P-88P
	CL902-0132-8	Hand press HOS-7	CL901-0005-4	Model 105 crimping tool

● PLUG ASSEMBLY DRAWING

