



TFRA08C13 OCTAL T1/E1 Framer

Features

- Eight independent T1/E1 transmit and receive framers.
- Internal DS1 transmit clock synthesis—no external oscillator necessary.
- Comprehensive alarm reporting and performance monitoring:
 - Programmable automatic and on-demand alarm transmission.
- Automatic facility data link:
 - Automatic transmission of ESF performance report message.
- Common 2.048 Mbits/s, 4.096 Mbits/s, or 8.192 Mbits/s TDM highway.
- Dual- or single-rail line-side I/O.
- Supports one second polling interval for performance monitoring.
- *IEEE** Std. 1149.1 JTAG boundary scan.
- 3.3 V low-power CMOS with 5 V tolerant inputs.
- Available in 352-pin PBGA.

T1/E1 Framer Features

- Supports T1 framing modes ESF, D4, *SLC*[®]-96, T1DM DDS.
- Supports G.704 basic and CRC-4 multiframe format E1 framing and procedures consistent with G.706.
- Supports unframed transmission format.
- T1 signaling modes: transparent; ESF 2-state, 4-state, and 16-state; D4 2-state and 4-state; *SLC*-96 2-state, 4-state, 9-state, and 16-state. E1 signaling modes: transparent and CAS.
- Alarm reporting and performance monitoring per AT&T, *ANSI*[†], and ITU-T standards.
- Programmable, independent transmit and receive system interfaces at a 2.048 MHz, 4.096 MHz, or 8.192 MHz data rate.

Facility Data Link Features

- HDLC or transparent mode.
- Automatic transmission of the ESF performance report messages (PRM).
- Detection of the ESF PRM.
- Detection of the *ANSI* ESF FDL bit-oriented codes.
- 64-byte FIFO in both transmit and receive directions.
- Programmable FIFO full and empty level interrupt.
- User-programmable microprocessor interface.

Microprocessor Interface

- 33 MHz read and write access.
- 12-bit address, 8-bit data interface.
- *Intel*[‡] or *Motorola*[§] style control interfaces.
- Directly addressable internal registers.
- Programmable interrupts.

Applications

- DS3 and E3 port cards for narrowband DXCs.
- Multiservice switches.
- High density DS1 and E1 port cards.
- Frame relay access devices.
- Byte-synchronous SDH/SONET mapping.
- SONET and SDH drop alignment.
- IP and packet routers.

* *IEEE* is a registered trademark of The Institute of Electrical and Electronics Engineers, Inc.

† *ANSI* is a registered trademark of American National Standards Institute, Inc.

‡ *Intel* is a registered trademark of Intel Corporation.

§ *Motorola* is a registered trademark of Motorola, Inc.

Table of Contents

Contents	Page
Features	1
T1/E1 Framer Features	1
Facility Data Link Features	1
Microprocessor Interface	1
Applications	1
Feature Descriptions	10
T1/E1 Framer Feature Descriptions	10
Functional Description	11
Pin Information	15
LIU-Framer Interface	29
LIU-Framer Physical Interface.....	29
Line Encoding.....	31
DS1: Zero Code Suppression (ZCS).....	31
CEPT: High-Density Bipolar of Order 3 (HDB3).....	33
Frame Formats	34
T1 Framing Structures.....	34
T1 Loss of Frame Alignment (LFA)	41
T1 Frame Recovery Alignment Algorithms.....	42
T1 Robbed-Bit Signaling	43
CEPT 2.048 Basic Frame, CRC-4 Time Slot 0, and Signaling Time Slot 16 Multiframe Structures	45
CEPT 2.048 Basic Frame Structure	46
CEPT Loss of Basic Frame Alignment (LFA)	48
CEPT Loss of Frame Alignment Recovery Algorithm	48
CEPT Time Slot 0 CRC-4 Multiframe Structure	49
CEPT Loss of CRC-4 Multiframe Alignment (LTS0MFA).....	50
CEPT Loss of CRC-4 Multiframe Alignment Recovery Algorithms	51
CEPT Time Slot 16 Multiframe Structure	55
CEPT Loss of Time Slot 16 Multiframe Alignment (LTS16MFA).....	56
CEPT Loss of Time Slot 16 Multiframe Alignment Recovery Algorithm.....	56
CEPT Time Slot 0 FAS/NOT FAS Control Bits.....	56
FAS/NOT FAS Si- and E-Bit Source	56
NOT FAS A-Bit (CEPT Remote Frame Alarm) Sources	57
NOT FAS Sa-Bit Sources.....	57
Sa Facility Data Link Access.....	58
NOT FAS Sa Stack Source and Destination	59
CEPT Time Slot 16 X0—X2 Control Bits.....	61
Signaling Access	61
Transparent Signaling	61
DS1: Robbed-Bit Signaling.....	61
CEPT: Time Slot 16 Signaling.....	62
Auxiliary Framer I/O Timing	63
Alarms and Performance Monitoring	67
Interrupt Generation	67
Alarm Definition	67
Event Counters Definition	73
Loopback and Transmission Modes.....	75
Line Test Patterns	78
Receive Line Pattern Monitor—Using Register FRM_SR7	80
Automatic and On-Demand Commands	82
Facility Data Link	84

Table of Contents (continued)

Contents	Page
Receive Facility Data Link Interface.....	84
Transmit Facility Data Link Interface.....	90
HDLC Operation	91
Transparent Mode.....	93
Diagnostic Modes	95
Phase-Lock Loop Circuit	96
Framer-System Interface	98
DS1 Modes	98
CEPT Modes.....	98
Receive Elastic Store.....	98
Transmit Elastic Store.....	98
Concentration Highway Interface	98
CHI Parameters	99
CHI Frame Timing.....	101
CHI Offset Programming.....	104
JTAG Boundary-Scan Specification.....	105
Principle of the Boundary Scan.....	105
Test Access Port Controller	107
Instruction Register	109
Boundary-Scan Register	110
BYPASS Register	110
DCODE Register.....	110
3-State Procedures	110
Microprocessor Interface.....	111
Overview	111
Microprocessor Configuration Modes	111
Microprocessor Interface Pinout Definitions	112
Microprocessor Clock (MPCLK) Specifications	112
Microprocessor Interface Register Address Map.....	113
I/O Timing	113
Reset.....	118
Hardware Reset (Pin C19).....	118
Software Reset/Software Restart.....	118
Interrupt Generation	118
Register Architecture.....	119
Global Register Architecture	123
Global Register Structure.....	123
Framer Block Interrupt Status Register (GREG0).....	123
Framer Block Interrupt Enable Register (GREG1).....	124
FDL Block Interrupt Status Enable Register (GREG2)	124
FDL Block Interrupt Enable Register (GREG3)	124
Global Control Register (GREG4).....	125
Device ID and Version Registers (GREG5—GREG7)	125
Global Control Register (GREG8).....	126
Global PLLCK Control Register (GREG9)	127
Framer Register Architecture	127
Framer Status/Counter Registers	128
Framer Parameter/Control Registers	141
FDL Register Architecture.....	168
FDL Parameter/Control Registers ((A00—A0E); (A20—A2E); (B00—B0E); (B20—B2E) (C00—C0E); (C20—C2E); (D00—D0E); (D20—D2E))	169

Table of Contents (continued)

Contents	Page
Register Maps	176
Global Registers.....	176
Framer Parameter/Control Registers (Read-Write).....	177
Receive Framer Signaling Registers (Read-Only)	179
Framer Unit Parameter Register Map	180
Transmit Signaling Registers (Read/Write).....	183
Facility Data Link Parameter/Control and Status Registers (Read-Write).....	184
Absolute Maximum Ratings.....	185
Operating Conditions.....	185
Handling Precautions	185
Electrical Characteristics	186
Logic Interface Characteristics	186
Power Supply Bypassing.....	186
Outline Diagram.....	187
352-Pin PBGA	187
Ordering Information.....	188
Figures	Page
Figure 1. TFRA08C13 Block Diagram (One of Eight Channels).....	11
Figure 2. TFRA08C13 Block Diagram: Receive Section (One of Eight Channels).....	13
Figure 3. TFRA08C13 Block Diagram: Transmit Section (One of Eight Channels)	14
Figure 4. Pin Assignment	15
Figure 5. Block Diagram of Framer Line Interface	29
Figure 6. Transmit Framer TLCK to TND, TPD and Receive Framer RND, RPD to RLCK Timing	30
Figure 7. T1 Frame Structure	34
Figure 8. T1 Transparent Frame Structure	35
Figure 9. T7633 Facility Data Link Access Timing of the Transmit and Receive Framer Sections	37
Figure 10. SLC-96 Frame Format.....	37
Figure 11. ITU 2.048 Basic Frame, CRC-4 Multiframe, and Channel Associated Signaling Multiframe Structures	45
Figure 12. CEPT Transparent Frame Structure	47
Figure 13. Receive CRC-4 Multiframe Search Algorithm Using the 100 ms Internal Timer	52
Figure 14. Receive CRC-4 Multiframe Search Algorithm for Automatic, CRC-4/Non-CRC-4 Equipment Interworking as Defined by ITU (From ITU Rec. G.706, Annex B.2.2 - 1991).....	54
Figure 15. Facility Data Link Access Timing of the Transmit and Receive Framer Sections in the CEPT Mode.....	58
Figure 16. Transmit and Receive Sa Stack Accessing Protocol	60
Figure 17. Timing Specification for RFRMCK, RFRMDATA, and RFS in DS1 Mode	63
Figure 18. Timing Specification for TFS, TLCK, and TPD in DS1 Mode	63
Figure 19. Timing Specification for RFRMCK, RFRMDATA, and RFS in CEPT Mode	64
Figure 20. Timing Specification for RFRMCK, RFRMDATA, RFS, and RSSFS in CEPT Mode	64
Figure 21. Timing Specification for RCRCMFS in CEPT Mode.....	65
Figure 22. Timing Specification for TFS, TLCK, and TPD in CEPT Mode.....	65
Figure 23. Timing Specification for TFS, TLCK, TPD, and TSSFS in CEPT Mode	66
Figure 24. Timing Specification for TFS, TLCK, TPD, and TCRCMFS in CEPT Mode	66
Figure 25. Relation Between RLCK1 and Interrupt (Pin AD8).....	67
Figure 26. Timing for Generation of LOPLLCK (Pin F25).....	69
Figure 27. The T and V Reference Points for a Typical CEPT E1 Application.....	72
Figure 28. Loopback and Test Transmission Modes.....	77

Table of Contents (continued)

Figures	Page
Figure 29. 20-Stage Shift Register Used to Generate the Quasi-Random Signal	78
Figure 30. 15-Stage Shift Register Used to Generate the Pseudorandom Signal	79
Figure 31. TFRA08C13 Facility Data Link Access Timing of the Transmit and Receive Framer Sections	84
Figure 32. Block Diagram for the Receive Facility Data Link Interface	85
Figure 33. Block Diagram for the Transmit Facility Data Link Interface	90
Figure 34. Local Loopback Mode	95
Figure 35. Remote Loopback Mode	96
Figure 36. TFRA08C13 Phase Detector Circuitry	97
Figure 37. Nominal Concentration Highway Interface Timing (for FRM_PR43 bit 0—bit 2 = 100 (Binary))	101
Figure 38. CHIDTS Mode Concentration Highway Interface Timing	102
Figure 39. Associated Signaling Mode Concentration Highway Interface Timing	103
Figure 40. CHI Timing with ASM and CHIDTS Enabled	103
Figure 41. TCHIDATA and RCHIDATA to CHICK Relationship with CMS = 0 (CEX = 3 and CER = 4, Respectively)	104
Figure 42. Receive CHI (RCHIDATA) Timing	105
Figure 43. Transmit CHI (TCHIDATA) Timing	105
Figure 44. Block Diagram of the TFRA08C13's Boundary-Scan Test Logic	106
Figure 45. BS TAP Controller State Diagram	107
Figure 46. Mode 1—Read Cycle Timing (MPMODE = 0)	116
Figure 47. Mode 1—Write Cycle Timing (MPMODE = 0)	116
Figure 48. Mode 3—Read Cycle Timing (MPMODE = 1)	117
Figure 49. Mode 3—Write Cycle Timing (MPMODE = 1)	117

Tables	Page
Table 1. Pin Assignments for 352-Pin PBGA by Pin Number Order	16
Table 2. Pin Descriptions	18
Table 3. AMI Encoding	31
Table 4. DS1 ZCS Encoding	32
Table 5. DS1 B8ZS Encoding	32
Table 6. ITUHDB3 Coding	33
Table 7. T-Carrier Hierarchy	34
Table 8. D4 Superframe Format	36
Table 9. DDS Channel-24 Format	37
Table 10. SLC-96 Data Link Block Format	38
Table 11. SLC-96 Line Switch Message Codes	39
Table 12. Transmit and Receive SLC-96 Stack Structure	39
Table 13. Extended Superframe (ESF) Structure	40
Table 14. T1 Loss of Frame Alignment Criteria	41
Table 15. T1 Frame Alignment Procedures	42
Table 16. Robbed-Bit Signaling Options	43
Table 17. SLC-96 9-State Signaling Format	43
Table 18. 16-State Signaling Format	44
Table 19. Allocation of Bits 1 to 8 of the FAS Frame and the NOT FAS Frame	46
Table 20. ITU CRC-4 Multiframe Structure	49
Table 21. ITU CEPT Time Slot 16 Channel Associated Signaling Multiframe Structure	55
Table 22. Transmit and Receive Sa Stack Structure	59
Table 23. Associated Signaling Mode CHI 2-Byte Time-Slot Format for DS1 Frames	62
Table 24. Associated Signaling Mode CHI 2-Byte Time-Slot Format for Stuffed Channels	62

Table of Contents (continued)

Tables	Page
Table 25. Associated Signaling Mode CHI 2-Byte Time-Slot Format for CEPT	62
Table 26. Red Alarm or Loss of Frame Alignment Conditions	68
Table 27. Remote Frame Alarm Conditions	68
Table 28. Alarm Indication Signal Conditions	69
Table 29. Sa6 Bit Coding Recognized by the Receive Framer.	71
Table 30. Sa6 Bit Coding of NT1 Interface Events Recognized by the Receive Framer.....	71
Table 31. AUXP Synchronization and Clear Synchronization Process.....	72
Table 32. Event Counters Definition	73
Table 33. Summary of the Deactivation of SSTSSLB and SSTSLB Modes as a Function of Activating the Primary Loopback Modes	76
Table 34. Register FRM_PR69 Test Patterns	79
Table 35. Register FRM_PR70 Test Patterns	80
Table 36. Automatic Enable Commands.....	82
Table 37. On-Demand Commands	83
Table 38. Receive ANSI Code	86
Table 39. Performance Report Message Structure.....	86
Table 40. FDL Performance Report Message Field Definition.....	87
Table 41. Octet Contents and Definition	87
Table 42. Receive Status of Frame Byte.....	88
Table 43. HDLC Frame Format.....	91
Table 44. Receiver Operation in Transparent Mode.....	94
Table 45. Summary of the TFRA08C13's Concentration Highway Interface Parameters	99
Table 46. Programming Values for TOFF[2:0] and ROFF[2:0] when CMS = 0	104
Table 47. TAP Controller States in the Data Register Branch.....	108
Table 48. TAP Controller States in the Instruction Register Branch.....	108
Table 49. TFRA08C13's Boundary-Scan Instructions	109
Table 50. IDCODE Register	110
Table 51. Microprocessor Configuration Modes	111
Table 52. Mode [1 and 3] Microprocessor Pin Definitions.....	112
Table 53. Microprocessor Input Clock Specifications	112
Table 54. TFRA08C13 Register Address Map.....	113
Table 55. Microprocessor Interface I/O Timing Specifications	114
Table 56. Status Register and Corresponding Interrupt Enable Register for Functional Blocks.....	118
Table 57. Asserted Value and Deasserted State for GREG4 Bit 4 and Bit 6 Logic Combinations	118
Table 58. Register Summary	119
Table 59. Global Register Set (0x000—0x009)	123
Table 60. Framer Block Interrupt Status Register (GREG0) (000).....	123
Table 61. Framer Block Interrupt Enable Register (GREG1) (001).....	124
Table 62. FDL Block Interrupt Status Register (GREG2) (002)	124
Table 63. FDL Block Interrupt Enable Register (GREG3) (003)	124
Table 64. Global Control Register (GREG4) (004)	125
Table 65. Device ID and Version Registers (GREG5—GREG7) (005—007)	125
Table 66. Global Control Register (GREG8) (008)	126
Table 67. Global PLLCK Control Register (GREG9) (009).....	127
Table 68. Framer Status and Control Blocks Address Range (Hexadecimal).....	127
Table 69. Interrupt Status Register (FRM_SR0) (Y00)	128
Table 70. Facility Alarm Condition Register (FRM_SR1) (Y01)	129
Table 71. Remote End Alarm Register (FRM_SR2) (Y02)	130
Table 72. Facility Errored Event Register-1 (FRM_SR3) (Y03)	131

Table of Contents (continued)

Tables	Page
Table 73. Facility Event Register-2 (FRM_SR4) (Y04)	132
Table 74. Exchange Termination and Exchange Termination Remote End Interface Status Register (FRM_SR5) (Y05)	133
Table 75. Network Termination and Network Termination Remote End Interface Status Register (FRM_SR6) (Y06).....	134
Table 76. Facility Event Register (FRM_SR7) (Y07)	135
Table 77. Bipolar Violation Counter Registers (FRM_SR8—FRM_SR9) (Y08—Y09)	135
Table 78. Framing Bit Error Counter Registers (FRM_SR10—FRM_SR11) (Y0A—Y0B).....	135
Table 79. CRC Error Counter Registers (FRM_SR12—FRM_SR13) (Y0C—Y0D)	136
Table 80. E-Bit Counter Registers (FRM_SR14—FRM_SR15) (Y0E—Y0F)	136
Table 81. CRC-4 Errors at NT1 from NT2 Counter Registers (FRM_SR16—FRM_SR17) (Y10—Y11)	136
Table 82. E Bit at NT1 from NT2 Counter (FRM_SR18—FRM_SR19) (Y12—Y13)	136
Table 83. ET Errored Seconds Counter (FRM_SR20—FRM_SR21) (Y14—Y15)	137
Table 84. ET Bursty Errored Seconds Counter (FRM_SR22—FRM_SR23) (Y16—Y17).....	137
Table 85. ET Severely Errored Seconds Counter (FRM_SR24—FRM_SR25) (Y18—Y19)	137
Table 86. ET Unavailable Seconds Counter (FRM_SR26—FRM_SR27) (Y1A—Y1B).....	137
Table 87. ET-RE Errored Seconds Counter (FRM_SR28—FRM_SR29) (Y1C—Y1D)	137
Table 88. ET-RE Bursty Errored Seconds Counter (FRM_SR30—FRM_SR31) (Y1E—Y1F).....	137
Table 89. ET-RE Severely Errored Seconds Counter (FRM_SR32—FRM_SR33) (Y20—Y21).....	137
Table 90. ET-RE Unavailable Seconds Counter (FRM_SR34—FRM_SR35) (Y22—Y23)	138
Table 91. NT1 Errored Seconds Counter (FRM_SR36—FRM_SR37) (Y24—Y25).....	138
Table 92. NT1 Bursty Errored Seconds Counter (FRM_SR38—FRM_SR39) (Y26—Y27).....	138
Table 93. NT1 Severely Errored Seconds Counter (FRM_SR40—FRM_SR41) (Y28—Y29)	138
Table 94. NT1 Unavailable Seconds Counter (FRM_SR42—FRM_SR43) (Y2A—Y2B).....	138
Table 95. NT1-RE Errored Seconds Counter (FRM_SR44—FRM_SR45) (Y2C—Y2D)	138
Table 96. NT1-RE Bursty Errored Seconds Counter (FRM_SR46—FRM_SR47) (Y2E—Y2F).....	138
Table 97. NT1-RE Severely Errored Seconds Counter (FRM_SR48—FRM_SR49) (Y30—Y31).....	138
Table 98. NT1-RE Unavailable Seconds Counter (FRM_SR50—FRM_SR51) (Y32—Y33)	139
Table 99. Receive NOT-FAS TS0 Register (FRM_SR52) (Y34)	139
Table 100. Receive Sa Register (FRM_SR53) (Y35)	139
Table 101. SLC-96 FDL Receive Stack (FRM_SR54—FRM_SR63) (Y36—Y3F)	139
Table 102. CEPT Sa Receive Stack (FRM_SR54—FRM_SR63) (Y36—Y3F)	140
Table 103. Transmit Framer ANS/ Performance Report Message Status Register Structure	140
Table 104. Received Signaling Registers: DS1 Format (FRM_RSR0—FRM_RSR23) (Y40—Y58)	140
Table 105. Receive Signaling Registers: CEPT Format (FRM_RSR0—FRM_RSR31) (Y40—Y5F)	141
Table 106. Summary of Interrupt Group Enable Registers (FRM_PR0—FRM_PR7) (Y60—Y67)	141
Table 107. Primary Interrupt Group Enable Register (FRM_PR0) (Y60)	142
Table 108. Interrupt Enable Register (FRM_PR1) (Y61)	142
Table 109. Interrupt Enable Register (FRM_PR2) (Y62)	142
Table 110. Interrupt Enable Register (FRM_PR3) (Y63)	142
Table 111. Interrupt Enable Register (FRM_PR4) (Y64)	143
Table 112. Interrupt Enable Register (FRM_PR5) (Y65)	143
Table 113. Interrupt Enable Register (FRM_PR6) (Y66)	143
Table 114. Interrupt Enable Register (FRM_PR7) (Y67)	143
Table 115. Framer Mode Bits Decoding (FRM_PR8) (Y68)	143
Table 116. Line Code Option Bits Decoding (FRM_PR8) (Y68).....	144
Table 117. CRC Option Bits Decoding (FRM_PR9) (Y69)	144
Table 118. Alarm Filter Register (FRM_PR10) (Y6A).....	145
Table 119. Errored Event Threshold Definition	145
Table 120. Errored Second Threshold Register (FRM_PR11) (Y6B).....	146

Table of Contents (continued)

Tables	Page
Table 121. Severely Errored Second Threshold Registers (FRM_PR12—FRM_PR13) (Y6C—Y6D)	146
Table 122. ET1 Errored Event Enable Register (FRM_PR14) (Y6E).....	146
Table 123. ET1 Remote End Errored Event Enable Register (FRM_PR15) (Y6F).....	146
Table 124. NT1 Errored Event Enable Register (FRM_PR16) (Y70).....	147
Table 125. NT1 Remote End Errored Event Enable Registers (FRM_PR17—FRM_PR18) (Y71—Y72).....	147
Table 126. Automatic AIS to the System and Automatic Loopback Enable Register (FRM_PR19) (Y73).....	147
Table 127. Automatic AIS to the System and Automatic Loopback Enable Register (FRM_PR19) (Y73).....	148
Table 128. Transmit Test Pattern to the Line Enable Register (FRM_PR20) (Y74)	148
Table 129. Framer FDL Control Command Register (FRM_PR21) (Y75)	149
Table 130. Framer Transmit Line Idle Code Register (FRM_PR22) (Y76).....	149
Table 131. Framer System Stuffed Time-Slot Code Register (FRM_PR23) (Y77)	149
Table 132. Primary Time-Slot Loopback Address Register (FRM_PR24) (Y78)	150
Table 133. Loopback Decoding of Bits LBC[2:0] in FRM_PR24, Bits 7—5	150
Table 134. Secondary Time-Slot Loopback Address Register (FRM_PR25) (Y79)	151
Table 135. Loopback Decoding of Bits LBC[1:0] in FRM_PR25, Bits 6—5	151
Table 136. Framer Reset and Transparent Mode Control Register (FRM_PR26) (Y7A)	152
Table 137. Transmission of Remote Frame Alarm and CEPT Automatic Transmission of A Bit = 1 Control Register (FRM_PR27) (Y7B)	153
Table 138. CEPT Automatic Transmission of E Bit = 0 Control Register (FRM_PR28) (Y7C).....	154
Table 139. Sa4—Sa8 Source Register (FRM_PR29) (Y7D)	154
Table 140. Sa Bits Source Control for Bit 5—Bit 7 in FRM_PR29	155
Table 141. Sa4—Sa8 Control Register (FRM_PR30) (Y7E)	155
Table 142. Sa Transmit Stack (FRM_PR31—FRM_PR40) (Y7F—Y88).....	156
Table 143. SLC-96 Transmit Stack (FRM_PR31—FRM_PR40) (Y7F—Y88)	156
Table 144. Transmit SLC-96 FDL Format	156
Table 145. CEPT Time Slot 16 X-Bit Remote Multiframe Alarm and AIS Control Register (FRM_PR41) (Y89)	157
Table 146. Framer Exercise Register (FRM_PR42) (Y8A)	157
Table 147. Framer Exercises, FRM_PR42 Bit 5—Bit 0 (Y8A)	158
Table 148. DS1 System Interface Control and CEPT FDL Source Control Register (FRM_PR43) (Y8B).....	159
Table 149. Signaling Mode Register (FRM_PR44) (Y8C)	160
Table 150. CHI Common Control Register (FRM_PR45) (Y8D).....	161
Table 151. CHI Common Control Register (FRM_PR46) (Y8E)	162
Table 152. CHI Transmit Control Register (FRM_PR47) (Y8F)	162
Table 153. CHI Receive Control Register (FRM_PR48) (Y90)	162
Table 154. CHI Transmit Time-Slot Enable Registers (FRM_PR49—FRM_PR52) (Y91—Y94)	163
Table 155. CHI Receive Time-Slot Enable Registers (FRM_PR53—FRM_PR56) (Y95—Y98)	163
Table 156. CHI Transmit Highway Select Registers (FRM_PR57—FRM_PR60) (Y99—Y9C).....	163
Table 157. CHI Receive Highway Select Registers (FRM_PR61—FRM_PR64) (Y9D—YA0)	163
Table 158. CHI Transmit Control Register (FRM_PR65) (YA1).....	164
Table 159. CHI Receive Control Register (FRM_PR66) (YA2)	164
Table 160. Auxiliary Pattern Generator Control Register (FRM_PR69) (YA5)	165
Table 161. Pattern Detector Control Register (FRM_PR70) (YA6)	166
Table 162. Transmit Signaling Registers: DS1 Format (FRM_TSR0—FRM_TSR23) (YE0—YF7)	167
Table 163. Transmit Signaling Registers: CEPT Format (FRM_TSR0—FRM_TSR31) (YE0—YFF)	167
Table 164. FDL Register Set ((A00—A0E); (A20—A2E); (B00—B0E); (B20—B2E) (C00—C0E); (C20—C2E); (D00—D0E); (D20—D2E)).....	168
Table 165. FDL Configuration Control Register (FDL_PR0) (A00; A20; B00; B20; C00; C20; D00; D20)	169
Table 166. FDL Control Register (FDL_PR1) (A01; A21; B01; B21; C01; C21; D01; D21).....	169

Table of Contents (continued)

Tables	Page
Table 167. FDL Interrupt Mask Control Register (FDL_PR2) (A02; A22; B02; B22; C02; C22; D02; D22)	170
Table 168. FDL Transmitter Configuration Control Register (FDL_PR3) (A03; A23; B03; B23; C03; C23; D03; D23).....	171
Table 169. FDL Transmitter FIFO Register (FDL_PR4) (A04; A24; B04; B24; C04; C24; D04; D24)	171
Table 170. FDL Transmitter Idle Character Mask Register (FDL_PR5) (A05; A25; B05; B25; C05; C25; D05; D25).....	171
Table 171. FDL Receiver Interrupt Level Control Register (FDL_PR6) (A06; A26; B06; B26; C06; C26; D06; D26).....	172
Table 172. FDL Register FDL_PR7	172
Table 173. FDL Receiver Match Character Register (FDL_PR8) (A08; A28; B08; B28; C08; C28; D08; D28) ...	172
Table 174. FDL Transparent Control Register (FDL_PR9) (A09; A29; B09; B29; C09; C29; D09; D29).....	173
Table 175. FDL Transmit ANS/ESF Bit Codes (FDL_PR10) (A0A; A2A; B0A; B2A; C0A; C2A; D0A; D2A).....	173
Table 176. FDL Interrupt Status Register (Clear on Read) (FDL_SR0) (A0B; A2B; B0B; B2B; C0B; C2B; D0B; D2B)	174
Table 177. FDL Transmitter Status Register (FDL_SR1) (A0C; A2C; B0C; B2C; C0C; C2C; D0C; D2C)	175
Table 178. FDL Receiver Status Register (FDL_SR2) (A0D; A2D; B0D; B2D; C0D; C2D; D0D; D2D)	175
Table 179. Receive ANS/FDL Status Register (FDL_SR3) (A0E; A2E; B0E; B2E; C0E; C2E; D0E; D2E)	175
Table 180. FDL Receiver FIFO Register (FDL_SR4) (A07; A27; B07; B27; C07; C27; D07; D27).....	175
Table 181. Global Register Set.....	176
Table 182. Framer Unit Status Register Map	177
Table 183. Receive Signaling Registers Map	179
Table 184. Framer Unit Parameter Register Map	180
Table 185. Transmit Signaling Registers Map	183
Table 186. Facility Data Link Register Map	184
Table 187. ESD Threshold Voltage.....	185
Table 188. Logic Interface Characteristics (TA = -40 °C to +85 °C, VDD = 3.3 V ± 5%, VSS = 0).....	186

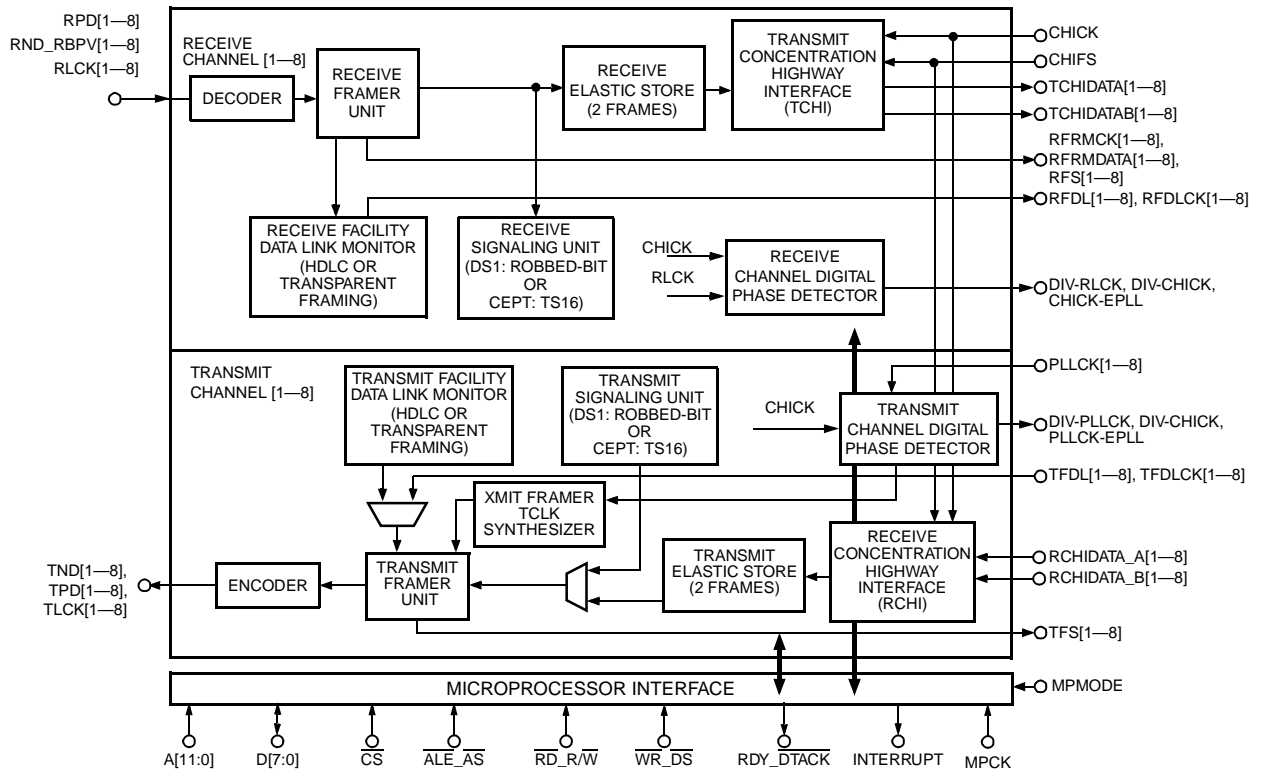
Feature Descriptions

T1/E1 Framer Feature Descriptions

- Framing formats:
 - Compliant with T1 standards *ANSI T1.231* (1993), *AT&T TR54016*, *AT&T TR62411* (1998).
 - Unframed, transparent transmission in T1 and E1 formats.
 - DS1 extended superframe (ESF).
 - DS1 superframe (SF): D4; *SLC-96*; T1DM DDS; T1DM DDS with FDL access.
 - DS1 independent transmit and receive framing modes when using the ESF and D4 formats.
 - Compliant with ITU CEPT framing recommendation:
 1. G.704 and G.706 basic frame format.
 2. G.704 Section 2.3.3.4 and G.706 Section 4.2: CRC-4 multiframe search algorithm.
 3. G.706 Annex B: CRC-4 multiframe search algorithm with 400 ms timer for interworking of CRC-4 and non-CRC-4 equipment.
 4. G.706 Section 4.3.2 Note 2: monitoring of 915 CRC-4 checksum errors for loss of frame state.
- Framer line codes:
 - DS1: alternate mark inversion (AMI); binary eight zero code suppression (B8ZS); per-channel zero code suppression; decoding bipolar violation monitor; monitoring of eight or fifteen bit intervals without positive or negative pulses error indication.
 - DS1 independent transmit and receive path line code formats when using AMI/ZCS and B8ZS coding.
 - ITU-CEPT: AMI; high-density bipolar 3 (HDB3) encoding and decoding bipolar violation monitoring, monitoring of four bit intervals without positive or negative pulses error indication.
 - Single-rail option.
- Signaling:
 - DS1: extended superframe 2-state, 4-state, and 16-state per-channel robbed bit.
 - DS1: D4 superframe 2-state and 4-state per-channel robbed bit.
 - DS1: *SLC-96* superframe 2-state, 4-state, 9-state, and 16-state per-channel robbed bit.
 - DS1: channel-24 message-oriented signaling.
 - ITU CEPT: channel associated signaling (CAS).
 - Transparent (all data channels).
- Alarm reporting, performance monitoring, and maintenance:
 - *ANSI T1.403-1995*, *AT&T TR 54016*, and ITU G.826 standard error checking.
 - Error and status counters:
 1. Bipolar violations.
 2. Errored frame alignment signals.
 3. Errored CRC checksum block.
 4. CEPT: received E bit = 0.
 5. Errored, severely errored, and unavailable seconds.
 - Selectable errored event monitoring for errored and severely errored seconds processing with programmable thresholds for errored and severely errored second monitoring.
 - CEPT: Selectable automatic transmission of E bit to the line.
 - CEPT: Sa6 coded remote end CRC-4 error E bit = 0 events.
 - Programmable automatic and on-demand alarm transmission:
 1. Automatic transmission of remote frame alarm to the line while in loss of frame alignment state.
 2. Automatic transmission of alarm indication signal (AIS) to the system while in loss of frame alignment state.
 - Multiple loopback modes.
 - Optional automatic line and payload loopback activate and deactivate modes.
 - CEPT nailed-up connect loopback and CEPT nailed-up broadcast transmission TS-X in TS-0 transmit mode.
 - Selectable test patterns for line transmission.
 - Detection of framed and unframed pseudorandom and quasi-random test patterns.
 - Programmable squelch and idle codes.
- System interface:
 - Autonomous transmit and receive system interfaces.
 - Independent transmit and receive frame synchronization input signals.
 - Independent transmit and receive system interface clock.
 - 2.048 Mbits/s, 2.048 MHz concentration highway interface (CHI) default mode.
 - Optional 4.096 Mbits/s and 8.192 Mbits/s data rates.
 - Optional 4.096 MHz and 8.192 MHz frequency system clock.
 - Programmable clock edge for latching frame synchronization signals.
 - Programmable clock edge for latching transmit and receive data.
 - Programmable bit and byte offset.
 - Programmable CHI master mode for the generation of the transmit CHI FS from internal logic with timing derived from the receive line clock signal.
- Digital phase comparator for clock generation in the receive and transmit paths.

Functional Description

Note: The *Concentration Highway Interface Specification*, Lucent Technologies Microelectronics Group November 1990 (DS90-124SMOS) defines the **transmit** path as output to the system interface, and the **receive** path as input from the system interface. This document is consistent with that definition.



5-6937(F)r.4

Figure 1. TFRA08C13 Block Diagram (One of Eight Channels)

Functional Description (continued)

The Lucent Technologies Microelectronics Group TFRA08C13 OCTAL T1/E1 Framer provides eight complete T1/E1 interfaces each consisting of a fully integrated, full-featured, primary rate framer with an HDLC formatter for facility data link access. The TFRA08C13 provides glueless interconnection from a T1 or E1 analog line interface to devices interfacing to its CHI; for example, the Lucent T7270 Time-Slot Interchanger or T7115A Synchronous Protocol Data Formatter.

The line codes supported in the framer unit include AMI, T1 B8ZS, per-channel T1 zero code suppression, and ITU-CEPT HDB3.

The framer supports DS1 superframe (D4, T1DM, *SLC-96*) and extended superframe (ESF) formats. The framer also supports, ITU-CEPT-E1 basic frame, ITU-CEPT-E1 time slot 0 multiframe, and time slot 16 multiframe formats.

The receive framer monitors the following alarms: loss of receive clock, loss of frame, alarm indication signal (AIS), remote frame alarms, and remote multiframe alarms. These alarms are detected as defined by the appropriate *ANSI*, AT&T, and ITU standards. It is recommended that the LIU/Framer interface be placed in dual rail mode, which allows the framers error/event detector to detect and report code and BPV errors.

Performance monitoring as specified by AT&T, *ANSI*, and ITU is provided through counters monitoring bipolar violation, frame bit errors, CRC errors, errored events, errored seconds, bursty errored seconds, severely errored seconds, and unavailable seconds.

In-band loopback activation and deactivation codes can be transmitted to the line via the payload or the facility data link. In-band loopback activation and deactivation codes in the payload or the facility data link are detected.

System, payload, and line loopbacks are programmable.

The default system interface is a 2.048 Mbits/s data and 2.048 MHz clock CHI serial bus. This CHI interface consists of independent transmit and receive paths. The CHI interface can be reconfigured into several modes: a 2.048 Mbits/s data interface and 4.096 MHz clock interface, a 4.096 Mbits/s data interface and 4.096 MHz clock interface, a 4.096 Mbits/s data interface and 8.192 MHz clock interface, a 8.192 Mbits/s data interface and 8.192 MHz clock interface, and 8.192 Mbits/s data interface.

The signaling formats supported are T1 per-channel robbed-bit signaling (RBS), channel-24 message-oriented signaling (MOS), and ITU-CEPT-E1 channel-associated signaling (CAS). In the T1, RBS mode voice and data channels are programmable. The entire payload can be forced into a data-only (no signaling channels) mode, i.e., transparent mode by programming one control bit. Signaling access can be through the on-chip signaling registers or the system CHI port in the associated signaling mode. Data and its associated signaling information can be accessed through the CHI in either DS1 or CEPT-E1 modes.

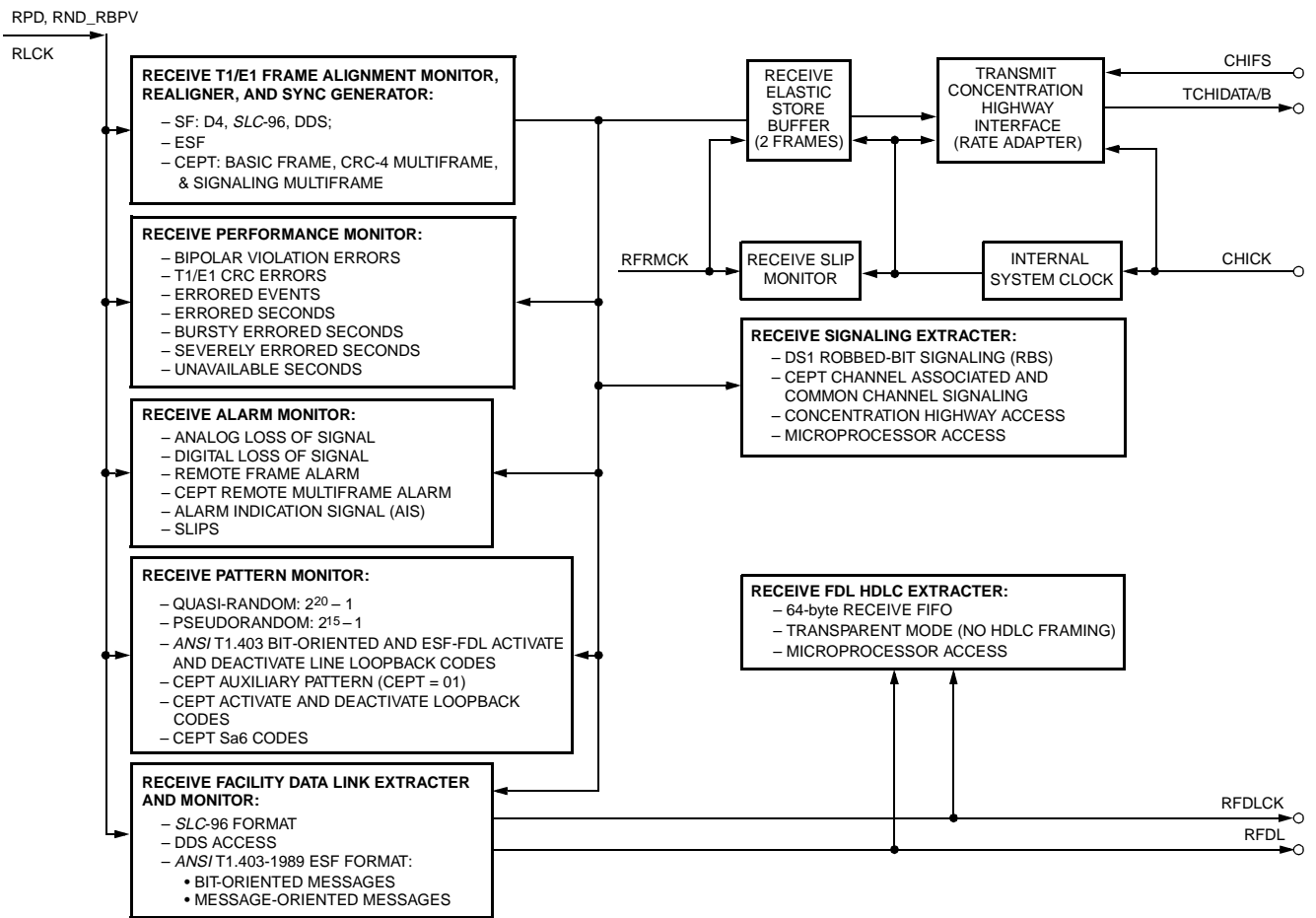
Extraction and insertion of the facility data link in ESF, T1DM, *SLC-96*, or CEPT-E1 modes are provided through a four-port serial interface or through a micro-processor-accessed, 64-byte FIFO either with HDLC formatting or transparently. In *SLC-96* or CEPT-E1 frame formats, a facility data link (FDL) stack (registers in the framer section) is provided for FDL access. The bit-oriented ESF data-link messages defined in *ANSI* T1.403-1995 are monitored by the receive framer's facility data link unit. The transmit framer's facility data link unit overrides the XFDL-FIFO for the transmission of the bit-oriented ESF data-link messages defined in *ANSI* T1.403-1995.

The receive framer includes a two-frame (64-bytes) elastic store buffer for jitter attenuation that performs controlled slips and provides an indication of slip direction. This buffer can be programmed to operate as a function of the receive line clock and can be reduced to one-frame (32-bytes) in length.

Functional Description (continued)

Accessing internal registers is done via the demultiplexed address and data bus microprocessor interface using either the *Intel* 80188 (or 80X88) interface protocol with independent read and write signals or the *Motorola* MC680X0 or M68360 interface protocol with address and data strobe signals.

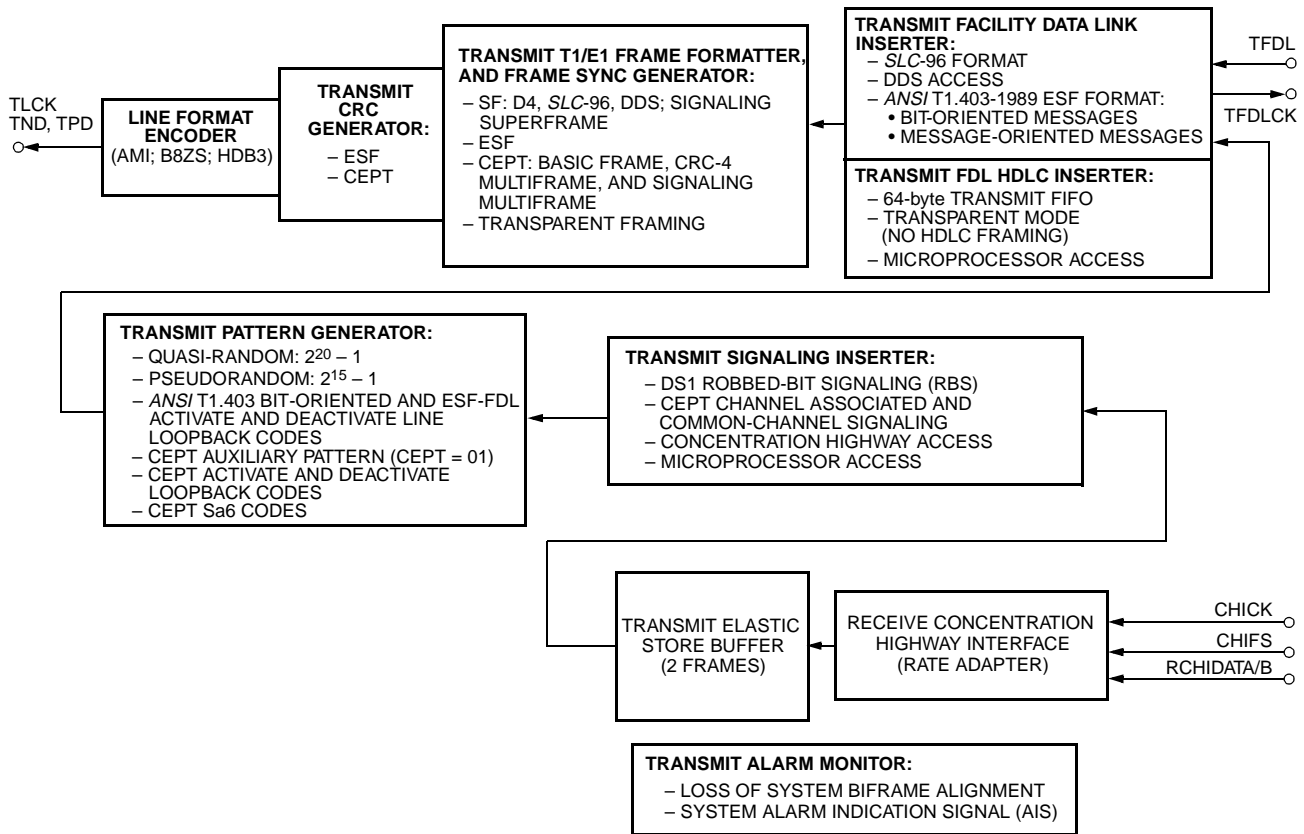
The TFRA08C13 is manufactured using low-power CMOS technology and is packaged in an 352-pin plastic ball grid array (PBGA) with 50 mils ball pitch.



5-6965(F)

Figure 2. TFRA08C13 Block Diagram: Receive Section (One of Eight Channels)

Functional Description (continued)

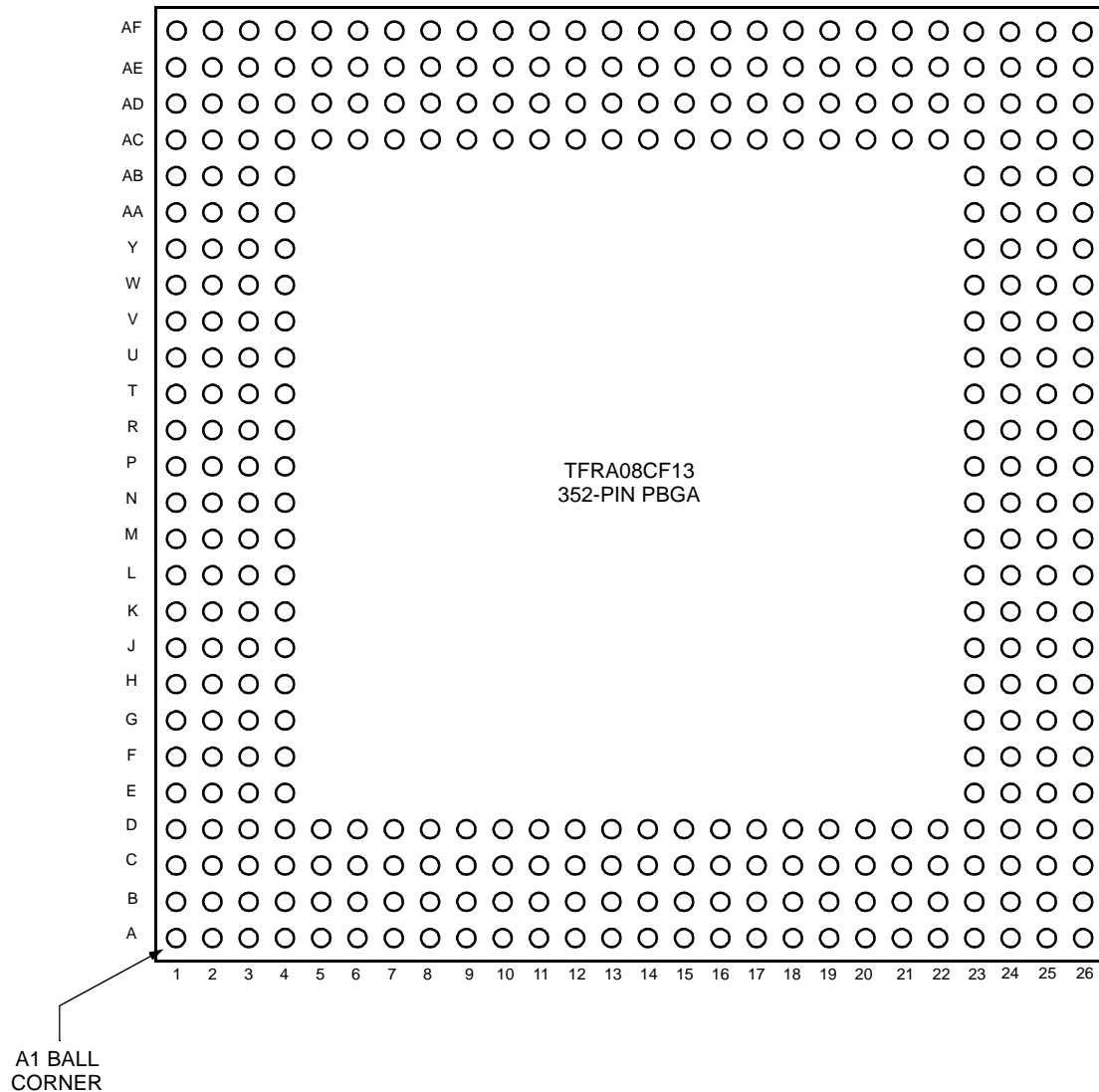


5-6964(F)

Figure 3. TFRA08C13 Block Diagram: Transmit Section (One of Eight Channels)

Pin Information

The package type and pin assignment for the TFRA08C13 is illustrated in Figure 4.



5-6966(F)

Figure 4. Pin Assignment

Pin Information (continued)

Table 1. Pin Assignments for 352-Pin PBGA by Pin Number Order

Pin	Signal Name	Pin	Signal Name	Pin	Signal Name	Pin	Signal Name
A1	NC	B13	NC	C25	NC	F3	RFRMCLK1
A2	NC	B14	NC	C26	NC	F4	NC
A3	NC	B15	NC	D1	TCHIDATA1	F23	NC
A4	RCHIDATAB1	B16	NC	D2	TFS1	F24	NC
A5	RND8	B17	NC	D3	TCHIDATAB1	F25	LOPLLCLK
A6	NC	B18	3-STATE	D4	NC	F26	DS1/CEPT7
A7	RCHIDATA8	B19	RND7	D5	PLLCK1	G1	TPD1
A8	TSSFS8	B20	RCHIDATAB7	D6	NC	G2	TND1
A9	TCHIDATAB8	B21	TCRCMFS7	D7	PLLCK8	G3	Vss
A10	RCRCMFS8	B22	TCHIDATA7	D8	TFDL8	G4	RFRMDATA1
A11	RFRMCK8	B23	RCRCMFS7	D9	NC	G23	LORLCK
A12	TPD8	B24	RFS7	D10	RFDLCK8	G24	RLCK7
A13	VSSD	B25	NC	D11	NC	G25	DIV-PLLCK
A14	VDDD	B26	NC	D12	RFRMDATA8	G26	PLLCK-EPLL
A15	NC	C1	TSSFS1	D13	NC	H1	NC
A16	NC	C2	TCRCMFS1	D14	NC	H2	RLCK1
A17	NC	C3	NC	D15	NC	H3	TCK
A18	Vss	C4	NC	D16	NC	H4	NC
A19	CHIFS	C5	RCHIDATA1	D17	VDDA	H23	DIV-RLCK
A20	PLLCK7	C6	RND1	D18	CHICK	H24	CHICK-EPLL
A21	RCHIDATA7	C7	Vss	D19	NC	H25	RND6
A22	TSSFS7	C8	RCHIDATAB8	D20	TFDLCK7	H26	DIV-CHICK
A23	RFDL7	C9	TCRCMFS8	D21	NC	J1	TDI
A24	RSSFS7	C10	TCHIDATA8	D22	TCHIDATAB7	J2	TRST
A25	RFRMDATA7	C11	RSSFS8	D23	NC	J3	Vss
A26	NC	C12	TLCK8	D24	RFRMCLK7	J4	DS1/CEPT1
B1	TFDLCK1	C13	RLCK8	D25	NC	J23	NC
B2	NC	C14	NC	D26	NC	J24	DIV-CHICK
B3	TFDL1	C15	NC	E1	RSSFS1	J25	NC
B4	RPD1	C16	NC	E2	RFDL1	J26	RPD6
B5	RPD8	C17	VSSA	E3	RCRCMFS1	K1	TDO
B6	NC	C18	NC	E4	RFDLCK1	K2	TMS
B7	TFDLCK8	C19	RESET	E23	TLCK7	K3	RPD2
B8	TFS8	C20	RPD7	E24	VDD	K4	VDD
B9	RFDL8	C21	TFDL7	E25	TPD7	K23	PLLCK6
B10	RFS8	C22	TFS7	E26	TND7	K24	Vss
B11	TND8	C23	RFDLCK7	F1	TLCK1	K25	VDD
B12	DS1/CEPT8	C24	NC	F2	RFS1	K26	NC
L1	PLLCK2	R25	TND6	Y23	TCHIDATAB5	AC19	TPD4
L2	RND2	R26	TLCK6	Y24	TFDL5	AC20	DS1/CEPT5

Pin Information (continued)

Table 1. Pin Assignments for 352-Pin PBGA by Pin Number Order (continued)

Pin	Signal Name	Pin	Signal Name	Pin	Signal Name	Pin	Signal Name
L3	RCHIDATA2	T1	RFRMCLK2	Y25	TCRCMFS5	AC21	NC
L4	NC	T2	RFS2	Y26	TFDLCK5	AC22	NC
L23	NC	T3	NC	AA1	TSSFS3	AC23	NC
L24	NC	T4	NC	AA2	TFDLCK3	AC24	RFRMDATA5
L25	TFDLCK6	T23	NC	AA3	RFDL3	AC25	RFRMCLK5
L26	RCHIDATA6	T24	RFRMCLK6	AA4	NC	AC26	RFS5
M1	RCHIDATAB2	T25	DS1/CEPT6	AA23	NC	AD1	NC
M2	VDD	T26	TPD6	AA24	TFS5	AD2	RFRMDATA3
M3	TSSFS2	U1	TPD2	AA25	TCHIDATA5	AD3	NC
M4	TFDLCK2	U2	TND2	AA26	TSSFS5	AD4	TPD3
M23	RCHIDATAB6	U3	VDD	AB1	TCHIDATA3	AD5	A1
M24	TFDL6	U4	RLCK2	AB2	TCHIDATAB3	AD6	A4
M25	TFS6	U23	ALE_AS	AB3	RFS3	AD7	A8
M26	TCRCMFS6	U24	RLCK6	AB4	RCRCMFS3	AD8	INTERRUPT
N1	TCRCMFS2	U25	CS	AB23	RCRCMFS5	AD9	RND4
N2	TFDL2	U26	RD_RW	AB24	RFDLCK5	AD10	RCHIDATA4
N3	RFDL2	V1	DS1/CEPT2	AB25	RSSFS5	AD11	TSSFS4
N4	NC	V2	NC	AB26	RFDL5	AD12	AD0
N23	RFDL6	V3	PLLCK3	AC1	RSSFS3	AD13	AD4
N24	TSSFS6	V4	NC	AC2	RFDLCK3	AD14	NC
N25	RFDLCK6	V23	RCHIDATAB5	AC3	NC	AD15	NC
N26	TCHIDATA6	V24	WR_DS	AC4	NC	AD16	RCRCMFS4
P1	TCHIDATA2	V25	RND5	AC5	A0	AD17	RFRMCLK4
P2	TFS2	V26	RDY_DTACK	AC6	NC	AD18	VDD
P3	RCRCMFS2	W1	RPD3	AC7	A3	AD19	DS1/CEPT4
P4	TCHIDATAB2	W2	RND3	AC8	NC	AD20	Vss
P23	NC	W3	TFDL3	AC9	A10	AD21	NC
P24	TCHIDATAB6	W4	RCHIDATAB3	AC10	PLLCK4	AD22	NC
P25	RFRMDATA6	W23	NC	AC11	NC	AD23	NC
P26	RSSFS6	W24	RPD5	AC12	TCHIDATAB4	AD24	NC
R1	RSSFS2	W25	RCHIDATA5	AC13	NC	AD25	NC
R2	RFDLCK2	W26	PLLCK5	AC14	AD2	AD26	Vss
R3	RFRMDATA2	Y1	RCHIDATA3	AC15	RFDL4	AE1	NC
R4	TLCK2	Y2	Vss	AC16	NC	AE2	NC
R23	RFS6	Y3	TFS3	AC17	RFS4	AE3	TLCK3
R24	RCRCMFS6	Y4	TCRCMFS3	AC18	NC	AE4	TND3

Pin Information (continued)

Table 1. Pin Assignments for 352-Pin PBGA by Pin Number Order (continued)

Pin	Signal Name	Pin	Signal Name	Pin	Signal Name	Pin	Signal Name
AE5	DS1/CEPT3	AE17	RFDLCK4	AF3	VDD	AF15	AD6
AE6	A2	AE18	RFRMDATA4	AF4	RLCK3	AF16	NC
AE7	A6	AE19	NC	AF5	VDD	AF17	RSSF4
AE8	A9	AE20	TND4	AF6	A5	AF18	NC
AE9	SECOND	AE21	Vss	AF7	A7	AF19	TLCK4
AE10	MPCLK	AE22	TPD5	AF8	A11	AF20	RLCK4
AE11	RCHIDATAB4	AE23	NC	AF9	MPMODE	AF21	RLCK5
AE12	TFDLCK4	AE24	NC	AF10	RPD4	AF22	TND5
AE13	TFS4	AE25	NC	AF11	TFDL4	AF23	NC
AE14	AD1	AE26	TLCK5	AF12	TCRCMFS4	AF24	NC
AE15	AD5	AF1	NC	AF13	TCHIDATA4	AF25	NC
AE16	AD7	AF2	RFRMCLK3	AF14	AD3	AF26	NC

Table 2 shows the list of the TFRA08C13 pins and a functional description for each.

Table 2. Pin Descriptions

Pins	Symbol	Type*	Description
AF3, AF5, AD18, K25, E24, K4, M2, U3	VDD	P	3.3 V Power Supply. 3.3 V \pm 5%. Each of these pins must be bypassed with a 0.1 μ F capacitor to VSS, as close to the pin as possible.
AD20, AD26, AE21, G3, K24, A18, J3, C7, Y2	Vss	G	Ground.
D17	VDDA	P	3.3 V Quiet Analog Power Supply. This pin must be bypassed with a 0.1 μ F capacitor to VSSA, as close to the pin as possible. In addition, this pin should be isolated from the 3.3 V power plane with an inductive bead.
C17	VSSA	G	3.3 V Quiet Analog Ground.
A14	VDDD	P	3.3 V Quiet Digital Power Supply. This pin must be bypassed with a 0.1 μ F capacitor to VSSD, as close to the pin as possible. In addition, this pin should be isolated from the 3.3 V power plane with an inductive bead.
A13	VSSD	G	3.3 V Quiet Digital Ground.
B18	3-STATE	I ^u	3-State (Active-Low). Asserting this pin low forces the channel outputs into a high-impedance state.
C19	RESET [†]	I ^u	Reset (Active-Low). Asserting this pin low resets all channels on the entire device.

* I^u indicates an internal pull-up, I^d indicates an internal pull-down.

† After RESET is deasserted, the channel is in the default framing mode, as a function of the DS1/CEPT pin.

‡ Asserting this pin low will initially force RDY to a low state.

Pin Information (continued)

Table 2. Pin Descriptions (continued)

Pins	Symbol	Type*	Description
AE9	SECOND	O	Second Pulse. A one second timer with an active-high pulse. The duration of the pulse is one RLCK cycle. Framer_1's receive line clock signal (RLCK1) is the default clock source for the internal second pulse timer. The internal second pulse is retimed in the individual framer sections with their corresponding receive line clock signal RLCK. When LORLCK_(N) is active, then Framer_(N + 1)'s receive line clock signal is used as the clock signal source for the internal second pulse timer. The second pulse is used for performance monitoring.
D18	CHICK	I	CHI Clock. 2.048 MHz, 4.096 MHz, or 8.192 MHz.
A19	CHIFS	I	CHI Frame Sync. CHI 8 kHz input frame synchronization pulse. Pulse width must be a minimum of one clock period of CHICK and a maximum of a 50% duty cycle square wave.
H24	CHICK-EPLL	O	Error Phase-Lock Loop Signal. The error signal proportional to the phase difference between DIV-CHICK and DIV-RLCK as detected from the internal PLL circuitry (see Table 66. Global Control Register (GREG8) (008))
G25	DIV-PLLCK	O	Divided-Down PLLCK Clock. 32 kHz or 8 kHz clock signal derived from the PLLCK input signal (see Table 150. CHI Common Control Register (FRM_PR45) (Y8D)).
G26	PLLCK-EPLL	O	Error Phase-Lock Loop Signal. The error signal proportional to the phase difference between DIV-PLLCK and DIV-CHICK as detected by the internal PLL circuitry (refer to the Phase-Lock Loop section).
H23	DIV-RLCK	O	Divided-Down Receive Line Clock. 8 kHz clock signal derived from the recovered receive line interface unit clock or the RLCK input signal. The choice of which receive framer clock to use is defined in Table 66. Global Control Register (GREG8) (008).
H26, J24	DIV-CHICK	O	Divided-Down CHI Clock. 8 kHz clock signal derived from the transmit CHI CLOCK input signal (see Table 66. Global Control Register (GREG8) (008)).
J4	DS1/ $\overline{\text{CEPT}}$ [1]	I ^u	DS1/$\overline{\text{CEPT}}$. Strap to VDD to enable DS1 operation in the framer unit. Strap to VSS to enable CEPT operation in the framer unit.
V1	DS1/ $\overline{\text{CEPT}}$ [2]		
AE5	DS1/ $\overline{\text{CEPT}}$ [3]		
AD19	DS1/ $\overline{\text{CEPT}}$ [4]		
AC20	DS1/ $\overline{\text{CEPT}}$ [5]		
T25	DS1/ $\overline{\text{CEPT}}$ [6]		
F26	DS1/ $\overline{\text{CEPT}}$ [7]		
B12	DS1/ $\overline{\text{CEPT}}$ [8]		

* I^u indicates an internal pull-up, I^d indicates an internal pull-down.

† After RESET is deasserted, the channel is in the default framing mode, as a function of the DS1/ $\overline{\text{CEPT}}$ pin.

‡ Asserting this pin low will initially force RDY to a low state.

Pin Information (continued)

Table 2. Pin Descriptions (continued)

Pins	Symbol	Type*	Description
D5	PLLCK[1]	I	Transmit Framer Phase-Locked Line Interface Clock. Clock signal used to time the transmit framer. This signal must be phase-locked to CHICK clock signal. In DS1 frame formats, PLLCK can be a low-frequency signal (1.544 MHz) or a high frequency signal (6.176 MHz). In CEPT frame formats, PLLCK can be a low-frequency signal (2.048 MHz) or a high-frequency signal (8.192 MHz).
L1	PLLCK[2]		
V3	PLLCK[3]		
AC10	PLLCK[4]		
W26	PLLCK[5]		
K23	PLLCK[6]		
A20	PLLCK[7]		
D7	PLLCK[8]		
F25	LOPLLCK	O	Loss of PLLCK Clock. This pin is asserted high when the PLLCK clock does not toggle for a 250 μ s interval. This pin is deasserted 250 μ s after the first edge of PLLCK (see Table 66. Global Control Register (GREG8) (008)).
F1	TLCK[1]	O	Transmit Framer Line Interface Clock. Optional 1.544 MHz DS1 or 2.048 MHz output signal from the transmit framer. TND and TPD data changes on the rising edge of TLCK.
R4	TLCK[2]		
AE3	TLCK[3]		
AF19	TLCK[4]		
AE26	TLCK[5]		
R26	TLCK[6]		
E23	TLCK[7]		
C12	TLCK[8]		
G1	TPD[1]	O	Transmit Line Interface Positive-Rail Data. This signal is the transmit framer positive NRZ output data. Data changes on the rising edge of TLCK. In the single-rail mode, TPD = transmit framer data.
U1	TPD[2]		
AD4	TPD[3]		
AC19	TPD[4]		
AE22	TPD[5]		
T26	TPD[6]		
E25	TPD[7]		
A12	TPD[8]		
G2	TND[1]	O	Transmit Line Interface Negative-Rail Data. This signal is the transmit framer negative NRZ output data. Data changes on the rising edge of TLCK. In the single-rail mode, TND = 0.
U2	TND[2]		
AE4	TND[3]		
AE20	TND[4]		
AF22	TND[5]		
R25	TND[6]		
E26	TND[7]		
B11	TND[8]		

* I^U indicates an internal pull-up, I^D indicates an internal pull-down.

† After RESET is deasserted, the channel is in the default framing mode, as a function of the DS1/CEPT pin.

‡ Asserting this pin low will initially force RDY to a low state.

Pin Information (continued)

Table 2. Pin Descriptions (continued)

Pins	Symbol	Type*	Description
D2	TFS[1]	O	Transmit Framer Frame Sync. This signal is the 8 kHz frame synchronization pulse in the transmit framer. This signal is active-high.
P2	TFS[2]		
Y3	TFS[3]		
AE13	TFS[4]		
AA24	TFS[5]		
M25	TFS[6]		
C22	TFS[7]		
B8	TFS[8]		
B1	TFDLCK[1]	O	Transmit Facility Data Link Clock. In DS1-DDS with data link access, this is an 8 kHz clock signal; otherwise, 4 kHz. The transmit frame latches data link bits on the falling edge of TFDLCK.
M4	TFDLCK[2]		
AA2	TFDLCK[3]		
AE12	TFDLCK[4]		
Y26	TFDLCK[5]		
L25	TFDLCK[6]		
D20	TFDLCK[7]		
B7	TFDLCK[8]		
B3	TFDL[1]	I	Transmit Facility Data Link. Optional serial input facility data link bit stream inserted into the transmit line data stream by the transmit framer. In DS1-DDS with data link access, this is an 8 kbits/s signal; otherwise, 4 kbits/s. In the CEPT frame format, TFDL can be programmed to one of the XSa bits of the NOT FAS frame time slot 0.
N2	TFDL[2]		
W3	TFDL[3]		
AF11	TFDL[4]		
Y24	TFDL[5]		
M24	TFDL[6]		
C21	TFDL[7]		
D8	TFDL[8]		
C5	RCHIDATA[1]	I	Receive CHI Data. Serial input system data at 2.048 Mbits/s, 4.096 Mbits/s, or 8.192 Mbits/s.
L3	RCHIDATA[2]		
Y1	RCHIDATA[3]		
AD10	RCHIDATA[4]		
W25	RCHIDATA[5]		
L26	RCHIDATA[6]		
A21	RCHIDATA[7]		
A7	RCHIDATA[8]		

* I^u indicates an internal pull-up, I^d indicates an internal pull-down.

† After RESET is deasserted, the channel is in the default framing mode, as a function of the DS1/CEPT pin.

‡ Asserting this pin low will initially force RDY to a low state.

Pin Information (continued)

Table 2. Pin Descriptions (continued)

Pins	Symbol	Type*	Description
A4	RCHIDATAB[1]	I	Receive CHI Data B. Serial input system data at 2.048 Mbits/s, 4.096 Mbits/s, or 8.192 Mbits/s.
M1	RCHIDATAB[2]		
W4	RCHIDATAB[3]		
AE11	RCHIDATAB[4]		
V23	RCHIDATAB[5]		
M23	RCHIDATAB[6]		
B20	RCHIDATAB[7]		
C8	RCHIDATAB[8]		
G23	LORLCK	O	Loss of Receive Clock. This pin is asserted high (logic 1) when RLCK in the receive framer does not toggle for a 250 μ s interval. Once asserted, this signal is deasserted on the first edge of RLCK (See Table 66. Global Control Register (GREG8) (008)).
H2	RLCK[1]	I	Receive Framer Line Interface Clock. This is the 1.544 MHz DS1 or 2.048 MHz input clock signal used by the receive framer to latch RPD and RND data.
U4	RLCK[2]		
AF4	RLCK[3]		
AF20	RLCK[4]		
AF21	RLCK[5]		
U24	RLCK[6]		
G24	RLCK[7]		
C13	RLCK[8]		
B4	RPD[1]	I	Receive Positive-Rail Data. NRZ serial data latched by the rising edge of RLCK. Data rates: DS1-1.544 Mbits/s; CEPT-2.048 Mbits/s. Optional single-rail NRZ receive data latched by the rising edge of RLCK.
K3	RPD[2]		
W1	RPD[3]		
AF10	RPD[4]		
W24	RPD[5]		
J26	RPD[6]		
C20	RPD[7]		
B5	RP81]		
C6	RND[1]	I	Receive Negative-Rail Data. Nonreturn-to-zero (NRZ) serial data latched by the rising edge of RLCK. Data rates: DS1-1.544 Mbits/s; CEPT-2.048 Mbits/s. In the single-rail mode, when RND = 1 the receive bipolar violation counter increments once for each rising edge of RLCK.
L2	RND[2]		
W2	RND[3]		
AD9	RN[4]		
V25	RND[5]		
H25	RND[6]		
B19	RND[7]		
A5	RND[8]		

* I^u indicates an internal pull-up, I^d indicates an internal pull-down.

† After RESET is deasserted, the channel is in the default framing mode, as a function of the DS1/CEPT pin.

‡ Asserting this pin low will initially force RDY to a low state.

Pin Information (continued)

Table 2. Pin Descriptions (continued)

Pins	Symbol	Type*	Description
F3	RFRMCK[1]	O	Receive Framer Clock. Output receive framer clock signal used to clock out the receive framer output signals. In normal operation, this is the recovered receive line clock signal.
T1	RFRMCK[2]		
AF2	RFRMCK[3]		
AD17	RFRMCK[4]		
AC25	RFRMCK[5]		
T24	RFRMCK[6]		
D24	RFRMCK[7]		
A11	RFRMCK[8]		
G4	RFRMDATA[1]	O	Receive Framer Data. This signal is the decoded data input to the receive elastic store. During loss of frame alignment, this signal is forced to 1.
R3	RFRMDATA[2]		
AD2	RFRMDATA[3]		
AE18	RFRMDATA[4]		
AC24	RFRMDATA[5]		
P25	RFRMDATA[6]		
A25	RFRMDATA[7]		
D12	RFRMDATA[8]		
F2	RFS[1]	O	Receive Frame Sync. This active-high signal is the 8 kHz frame synchronization pulse generated by the receive framer. During loss of frame alignment and signaling superframe or multiframe alignment, this signal is forced to 0.
T2	RFS[2]		
AB3	RFS[3]		
AC17	RFS[4]		
AC26	RFS[5]		
R23	RFS[6]		
B24	RFS[7]		
B10	RFS[8]		
E4	RFDLCK[1]	O	Receive Facility Data Link Clock. In DS1-DDS with data link access, this is an 8 kHz clock signal. Otherwise, this is a 4 kHz clock signal. The receive data link bit changes on the falling edge of RFDLCK.
R2	RFDLCK[2]		
AC2	RFDLCK[3]		
AE17	RFDLCK[4]		
AB24	RFDLCK[5]		
N25	RFDLCK[6]		
C23	RFDLCK[7]		
D10	RFDLCK[8]		

* I^u indicates an internal pull-up, I^d indicates an internal pull-down.

† After RESET is deasserted, the channel is in the default framing mode, as a function of the DS1/ $\overline{\text{CEPT}}$ pin.

‡ Asserting this pin low will initially force RDY to a low state.

Pin Information (continued)

Table 2. Pin Descriptions (continued)

Pins	Symbol	Type*	Description
E2	RFDL[1]	O	Receive Facility Data Link. Serial output facility data link bit stream extracted from the receive line data stream by the receive framer. In DS1-DDS with data link access, this is an 8 kbits/s signal; otherwise, 4 kbits/s. In the CEPT frame format, RFDL can be programmed to one of the RSa bits of the NOT FAS frame TS0. During loss of frame alignment, this signal is 1.
N3	RFDL[2]		
AA3	RFDL[3]		
AC15	RFDL[4]		
AB26	RFDL[5]		
N23	RFDL[6]		
A23	RFDL[7]		
B9	RFDL[8]		
D1	TCHIDATA[1]	O	Transmit CHI Data. Serial output system data at 2.048 Mbits/s, 4.096 Mbits/s, or 8.192 Mbits/s. This port is forced into a high-impedance state for all inactive time slots.
P1	TCHIDATA[2]		
AB1	TCHIDATA[3]		
AF13	TCHIDATA[4]		
AA25	TCHIDATA[5]		
N26	TCHIDATA[6]		
B22	TCHIDATA[7]		
C10	TCHIDATA[8]		
D3	TCHIDATAB[1]	O	Transmit CHI Data B. Serial output system data at 2.048 Mbits/s, 4.096 Mbits/s, or 8.192 Mbits/s. This port is forced into a high-impedance state for all inactive time slots.
P4	TCHIDATAB[2]		
AB2	TCHIDATAB[3]		
AC12	TCHIDATAB[4]		
Y23	TCHIDATAB[5]		
P24	TCHIDATAB[6]		
D22	TCHIDATAB[7]		
A9	TCHIDATAB[8]		
E1	RSSF[1]	O	Receive Framer Signaling Superframe Sync. This active-high signal is the CEPT signaling superframe (multiframe) synchronization pulse in the receive framer.
R1	RSSF[2]		
AC1	RSSF[3]		
AF17	RSSF[4]		
AB25	RSSF[5]		
P26	RSSF[6]		
A24	RSSF[7]		
C11	RSSF[8]		

* I^U indicates an internal pull-up, I^D indicates an internal pull-down.

† After RESET is deasserted, the channel is in the default framing mode, as a function of the DS1/CEPT pin.

‡ Asserting this pin low will initially force RDY to a low state.

Pin Information (continued)

Table 2. Pin Descriptions (continued)

E3	RCRCMFS[1]	O	Receive Framer CRC-4 Multiframe Sync. This active-high signal is the CEPT CRC-4 multiframe synchronization pulse in the receive framer.
P3	RCRCMFS[2]		
AB4	RCRCMFS[3]		
AD16	RCRCMFS[4]		
AB23	RCRCMFS[5]		
R24	RCRCMFS[6]		
B23	RCRCMFS[7]		
A10	RCRCMFS[8]		
C1	TSSFS[1]	O	Transmit Framer Signaling Superframe Sync. This signal is the CEPT signaling superframe (multiframe) synchronization pulse in the transmit framer. This signal is active-high.
M3	TSSFS[2]		
AA1	TSSFS[3]		
AD11	TSSFS[4]		
AA26	TSSFS[5]		
N24	TSSFS[6]		
A22	TSSFS[7]		
A8	TSSFS[8]		
C2	TCRCMFS[1]	O	Transmit Framer CRC-4 Multiframe Sync. This signal is the CEPT CRC-4 submultiframe synchronization pulse in the transmit framer. This signal is active-high.
N1	TCRCMFS[2]		
Y4	TCRCMFS[3]		
AF12	TCRCMFS[4]		
Y25	TCRCMFS[5]		
M26	TCRCMFS[6]		
B21	TCRCMFS[7]		
C9	TCRCMFS[8]		
AF9	MPMODE	I ^u	MPMODE. Strap to ground to enable the <i>Motorola</i> 68360 microprocessor protocol (MODE1). Strap to V _{DD} to enable the <i>Intel</i> 80X86/88 microprocessor protocol (MODE3).
U26	$\overline{RD_R/W}$	I	Read (Active-Low). In the <i>Intel</i> interface mode, the TFRA08C13 drives the data bus with the contents of the addressed register while \overline{RD} is low. Read/Write. In the <i>Motorola</i> interface mode, this signal is asserted high for read accesses; this pin is asserted low for write accesses.

* I^u indicates an internal pull-up, I^d indicates an internal pull-down.

† After \overline{RESET} is deasserted, the channel is in the default framing mode, as a function of the DS1/ \overline{CEPT} pin.

‡ Asserting this pin low will initially force RDY to a low state.

Pin Information (continued)

Table 2. Pin Descriptions (continued)

Pins	Symbol	Type*	Description
V24	$\overline{WR_DS}$	I	Write (Active-Low). In the <i>Intel</i> mode, the value present on the data bus is latched into the addressed register on the positive edge of the signal applied to \overline{WR} . Data Strobe (Active-Low). In the <i>Motorola</i> mode, when \overline{AS} is low and R/W is low (write), the value present on the data bus is latched into the addressed register on the positive edge of the signal applied to \overline{DS} ; when \overline{AS} is low and R/W is high (read), the TFRA08C13 drives the data bus with the contents of the addressed register while \overline{DS} is low.
U25	\overline{CS}^\ddagger	I	Chip Select (Active-Low). In the <i>Intel</i> interface mode, this pin must be asserted low to initiate a read or write access and kept low for the duration of the access; asserting \overline{CS} low forces RDY out of its high-impedance state into a 0 state.
U23	$\overline{ALE_AS}$	I	Address Strobe (Active-Low). In the <i>Motorola</i> interface mode, this pin must be asserted low to initiate a read or write access and kept low for the duration of the access.
AD12	D0	I/O	Microprocessor Data Bus. Bidirectional data bus used for read and write accesses. 3-stated output.
AE14	D1		
AC14	D2		
AF14	D3		
AD13	D4		
AE15	D5		
AF15	D6		
AE16	D7		
AC5	A0	I	Microprocessor Address Bus. Address bus used to access the internal registers.
AD5	A1		
AE6	A2		
AC7	A3		
AD6	A4		
AF6	A5		
AE7	A6		
AF7	A7		
AD7	A8		
AE8	A9		
AC9	A10		
AF8	A11		

* I^u indicates an internal pull-up, I^d indicates an internal pull-down.

† After \overline{RESET} is deasserted, the channel is in the default framing mode, as a function of the $\overline{DS1/CEPT}$ pin.

‡ Asserting this pin low will initially force RDY to a low state.

Pin Information (continued)

Table 2. Pin Descriptions (continued)

Pins	Symbol	Type*	Description
AD8	INTERRUPT	O	Interrupt. INTERRUPT is asserted high/low indicating an internal interrupt condition/event has been generated. Interrupt events/conditions are maskable through the control registers. This output can be wired-OR or wired-AND to any other logic output (see Table 64Global Control Register (GREG4) (004)).
V26	RDY_D $\overline{\text{TACK}}$	O	Ready. In the <i>Intel</i> interface mode, this pin is asserted high to indicate the completion of a read or write access; this pin is forced into a high-impedance state while $\overline{\text{CS}}$ is high. Data Transfer Acknowledge (Active-Low). In the <i>Motorola</i> interface mode, $\overline{\text{DTACK}}$ is asserted low to indicate the completion of a read or write access; $\overline{\text{DTACK}}$ is 1 otherwise.
AE10	MPCK	I ^u	Microprocessor Clock. Microprocessor clock used in the <i>Intel</i> mode to generate the READY signal.
K1	TDO	O	JTAG Data Output. Serial output data sampled on the falling edge of TCK from the boundary-scan test circuitry.
J1	TDI	I ^u	JTAG Data Input. Serial input data sampled on the rising edge of TCK for the boundary-scan test circuitry.
H3	TCK	I ^u	JTAG Clock Input. TCK provides the clock for the boundary-scan test logic.
K2	TMS	I ^u	JTAG Mode Select (Active-High). The signal values received at TMS are sampled on the rising edge of TCK and decoded by the boundary-scan TAP controller to control boundary-scan test operations.
J2	$\overline{\text{TRST}}$	I ^d	JTAG Reset Input (Active-Low). Assert this pin low to asynchronously initialize/reset the boundary-scan test logic.

* I^u indicates an internal pull-up, I^d indicates an internal pull-down.

† After RESET is deasserted, the channel is in the default framing mode, as a function of the DS1/CEPT pin.

‡ Asserting this pin low will initially force RDY to a low state.

Pin Information (continued)**Table 2. Pin Descriptions** (continued)

Pins	Symbol	Type*	Description
A1, A2, A3, A6, A15, A16, A17, A26, B2, B6, B13, B14, B15, B16, B17, B25, B26, C3, C4, C14, C15, C16, C18, C24, C25, C26, D4, D6, D9, D11, D13, D14, D15, D16, D19, D21, D23 D25, D26, F4, F23, F24, H1, H4, J23, J25, K26, L4, L23, L24, N4, P23, T3, T4 T23, V2, V4, W23, AA4, AA23, AC3, AC4, AC6, AC8, AC11, AC13, AC16, AC18, AC21, AC22, AC23, AD1, AD3, AD14, AD15, AD21, AD22, AD23, AD24, AD25, AE1, AE2, AE19, AE23, AE24, AE25, AF1, AF16, AF18, AF23, AF24, AF25, AF26	NC	—	No Connection.

* I^u indicates an internal pull-up, I^d indicates an internal pull-down.

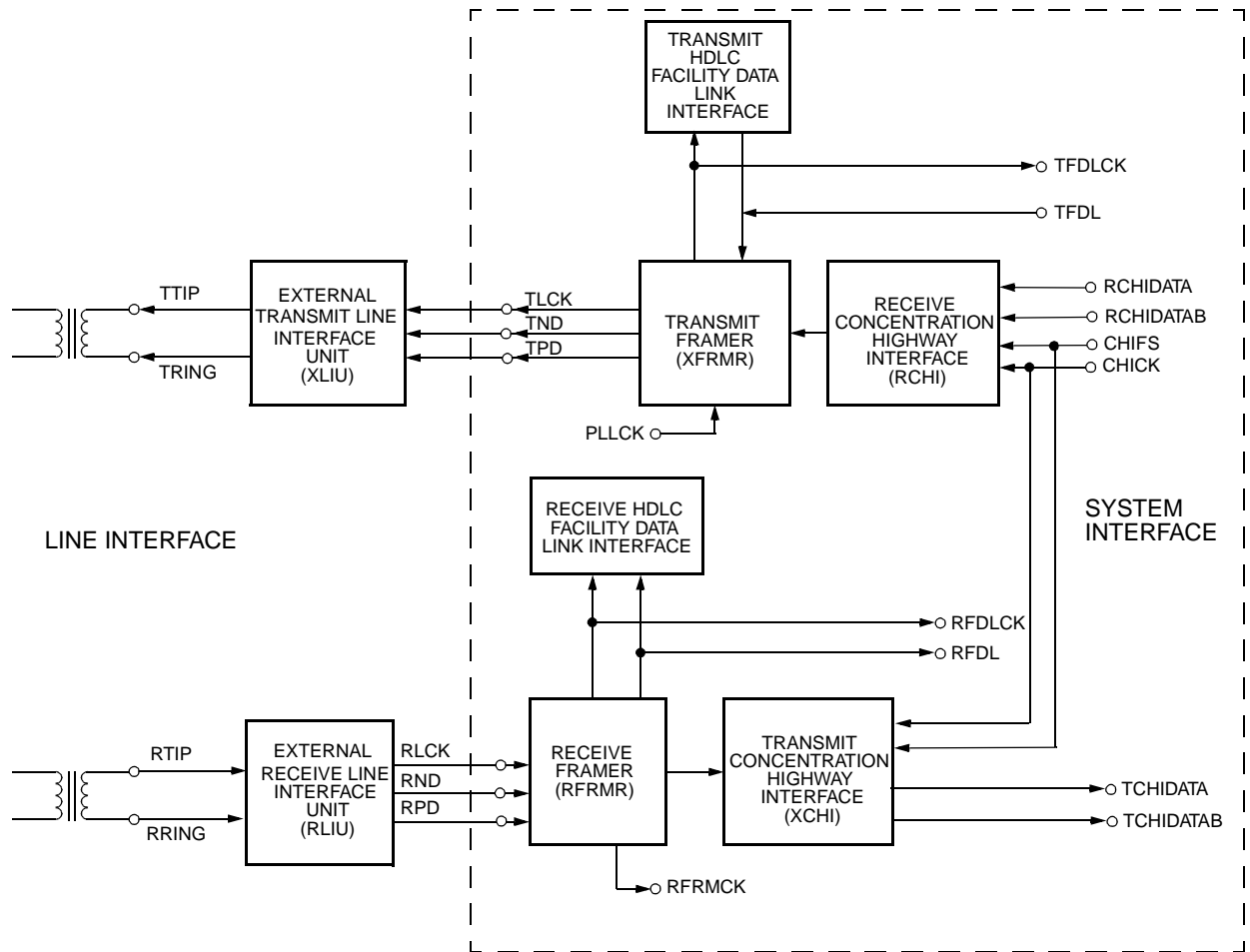
† After $\overline{\text{RESET}}$ is deasserted, the channel is in the default framing mode, as a function of the DS1/ $\overline{\text{CEPT}}$ pin.

‡ Asserting this pin low will initially force RDY to a low state.

LIU-Framer Interface

LIU-Framer Physical Interface

The transmit framer-LIU interface for the TFRA08C13 consists of the TND, TPD, and TLCK pins. In normal operations, TND, TPD, and TLCK are driven from the transmit framer and are connected to an external transmit line interface. The receive framer-LIU interface for the TFRA08C13 consists of the RPD, RND, and RLCK internal signals. In normal operations, RND, RPD, and RLCK are sourced from an external receive line interface unit and are directly connected to the receive framer. Figure 5 illustrates the interfaces of the transmit and receive framer units.

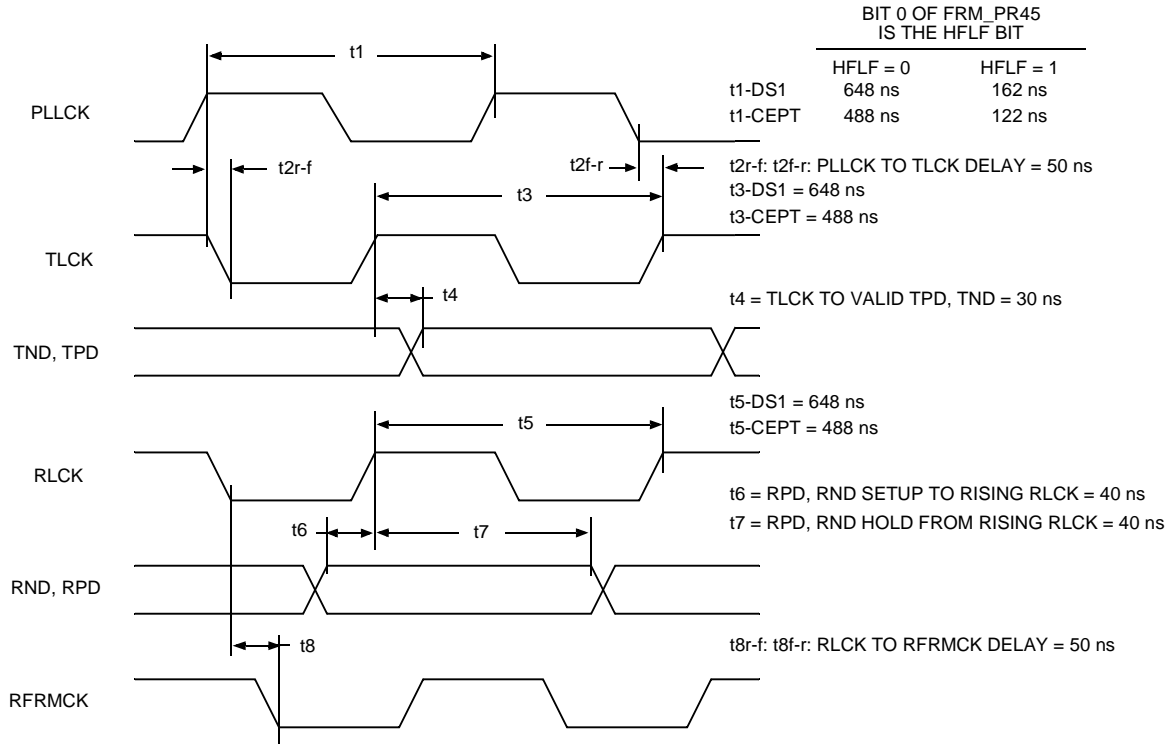


5-7169(F)

Figure 5. Block Diagram of Framer Line Interface

LIU-Framer Interface (continued)

Figure 6 shows the timing requirements for the transmit and receive framer interfaces in the LIU-bypass mode.



5-4558(F).dr.1

Figure 6. Transmit Framer TLCK to TND, TPD and Receive Framer RND, RPD to RLCK Timing

LIU-Framer Interface (continued)

Line Encoding

Single Rail

The default line code is single-rail mode and single-rail function of the framer specified by FRM_PR8 bit 7 = 1, bit 6 = 1, and bit 5 = 0. In this mode, the framer bipolar encoder/decoder is disabled and monitoring of received BPV errors is done with the use of the RND input. When RND = 1, the BPV counter increments by one on the rising edge of RLCK.

The transmit framer transmits data via the TPD output pin while TND is forced to a 0 state.

Dual Rail

In dual-rail mode, the dual-rail function of the framer is selected through FRM_PR8 bits 5—7. Bipolar encoding/decoding is enabled in the framer. Noncoded/decoded data is exchanged between the LIU and framer via the RPD, RND, RCLK, TPD, TND, and TCLK LIU-framer interface.

DS1: Alternate Mark Inversion (AMI)

The default line code used for T1 applications is alternate mark inversion (AMI). The coding scheme represents a 1 with a pulse or mark on the positive or negative rail and a 0 with no pulse on either rails. This scheme is shown in Table 3.

Table 3. AMI Encoding

Input Bit Stream	1011	0000	0111	1010
AMI Data	-0+-	0000	0+--+	-0+0

The T1 ones density rule states that: In every 24 bits of information to be transmitted, there must be at least three pulses, and no more than 15 zeros may be transmitted consecutively.

Receive ones density is monitored by the receive line interface as per T1M1.3/93-005, ITU G.775, or TR-TSY-000009.

The receive framer indicates excessive zeros upon detecting any zero string length greater than 15 contiguous zeros (no pulses on either RPD or RND). Both excessive zeros and coding violations are indicated as bipolar violations.

DS1: Zero Code Suppression (ZCS)

Zero code suppression is a technique known as pulse stuffing in which the seventh bit of each time slot is stuffed with a one. The line format (shown in Table 4) limits the data rate of each time slot from 64 kbits/s to 56 kbits/s.

The default ZCS format stuffs the seventh bit of those ALL-ZERO time slots programmed for robbed-bit signaling (as defined in the signaling control registers with the F and G bits).

LIU-Framer Interface (continued)

The receive framer indicates a bipolar violation upon detecting a block of 15 consecutive 0s with no AMI encoding (no pulses on either RPD or RND). When an internal bipolar violation and a violation of 15 consecutive 0s occur simultaneously, only one violation is indicated.

Table 4. DS1 ZCS Encoding

Input Bit Stream	00000000	01010000	00000000	00000000
ZCS Data (Framer Mode)	00000010	01010010	00000010	00000010
Default ZCS	00000010	01010000	00000000 (data time slot remains clear)	00000010

DS1: Binary 8 Zero Code Suppression (B8ZS)

Clear channel transmission can be accomplished using binary 8 zero code suppression (B8ZS). Eight consecutive 0s are replaced with the B8ZS code. This code consists of two bipolar violations in bit position 4 and 7 and valid bipolar marks in bit positions 5 and 8. The receiving end recognizes this code and replaces it with the original string of eight 0s.

The receive framer indicates excessive zeros upon detecting a block of eight or more consecutive 0s. (no pulses on either RPD or RND). Both excessive zeros and coding violations are indicated as bipolar violations.

Table 5 shows the encoding of a string of 0s using B8ZS. B8ZS is recommended when ESF format is used. V represents a violation of the bipolar rule and B represents an inserted pulse conforming to the AMI rule.

Table 5. DS1 B8ZS Encoding

Bit Positions	1	2	3	4	5	6	7	8	—	—	—	1	2	3	4	5	6	7	8
Before B8ZS	0	0	0	0	0	0	0	0	1	0	1	0	0	0	0	0	0	0	0
After B8ZS*	0	0	0	V	B	0	V	B	B	0	B	0	0	0	V	B	0	V	B

* Bits 5—6 represent a bipolar violation pair. Bipolar violation with respect to the last previous 1 bit.

LIU-Framer Interface (continued)

CEPT: High-Density Bipolar of Order 3 (HDB3)

The line code used for CEPT is described in ITU Rec. G.703 Section 6.1 as high-density bipolar of order 3 (HDB3). HDB3 uses a substitution code that acts on strings of four zeros. The substitute HDB3 codes are 000V and B00V, where V represents a violation of the bipolar rule and B represents an inserted pulse conforming to the AMI rule defined in ITU Rec. G.701, item 9004. The choice of the B00V or 000V is made so that the number of B pulses between consecutive V pulses is odd. In other words, successive V pulses are of alternate polarity so that no direct current (dc) component is introduced. The substitute codes follow each other if the string of zeros continues. The choice of the first substitute code is arbitrary. A line code error consists of two pulses of the same polarity that is not defined as one of the two substitute codes. Excessive zeros consists of any zero string length greater than four contiguous zeros. Both excessive zeros and coding violations are indicated as bipolar violations. An example is shown in Table 6.

Table 6. ITUHDB3 Coding

Input Bit Stream	1011	0000	01	0000	0000	0000	0000
HDB3-coded Data	1011	000V	01	000V	B00V	B00V	B00V
HDB3-coded Levels	-0+-	000-	0+	000+	-00-	+00+	-00-
HDB3 with 5 Double BPVs	-0+-	-000 1-BPV	0+	+00+ 3-BPV	0---- 5-BPV	+00+	-00-

Frame Formats

The supported North American T1 framing formats are superframe (D4, *SLC-96*, and digital data service-DDS) and extended superframe (ESF). The device can be programmed to support the ITU-CEPT-E1 basic format with and without CRC-4 multiframe formatting. This section describes these framing formats.

T1 Framing Structures

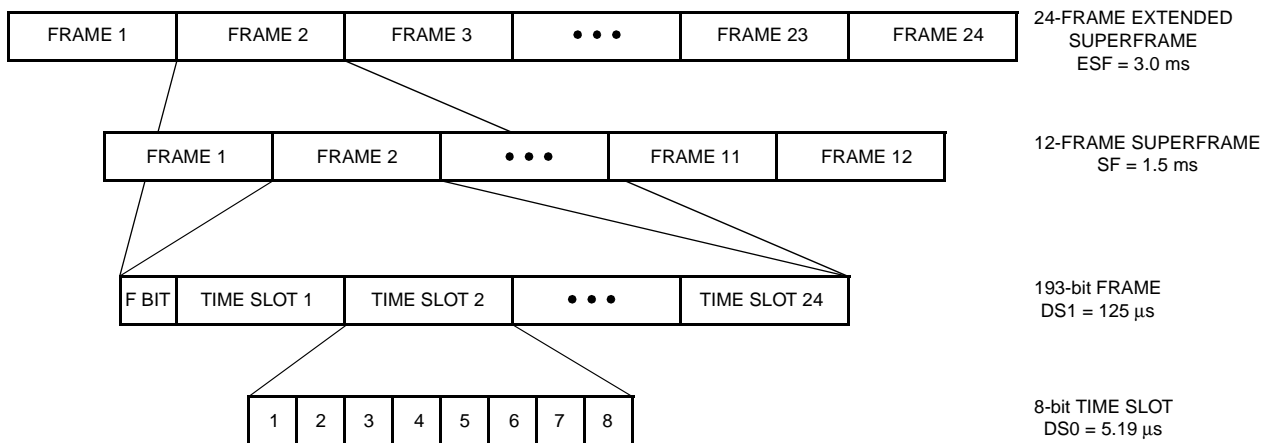
T1 is a digital transmission system which multiplexes twenty-four 64 kbits/s time slots (DS0) onto a serial link. The T1 system is the lowest level of hierarchy on the North American T-carrier system, as shown in Figure 7

Table 7. T-Carrier Hierarchy

T Carrier	DS0 Channels	Bit Rate (Mbits/s)	Digital Signal Level
T1	24	1.544	DS1
T1-C	48	3.152	DS1C
T2	96	6.312	DS2
T3	672	44.736	DS3
T4	4032	274.176	DS4

Frame, Superframe, and Extended Superframe Definitions

Each time slot (DS0) is an assembly of 8 bits sampled every 125 μ s. The data rate is 64 kbits/s and the sample rate is 8 kHz. Time-division multiplexing 24 DS0 time slots together produces a 192-bit (24 DS0s) frame. A framing bit is added to the beginning of each frame to allow for detection of frame boundaries and the transport of additional maintenance information. This 193-bit frame, also referred to as a DS1 frame, is repeated every 125 μ s to yield the 1.544 Mbits/s T1 data rate. DS1 frames are bundled together to form superframes or extended superframes.



5-4559(F).br.1

Figure 7. T1 Frame Structure

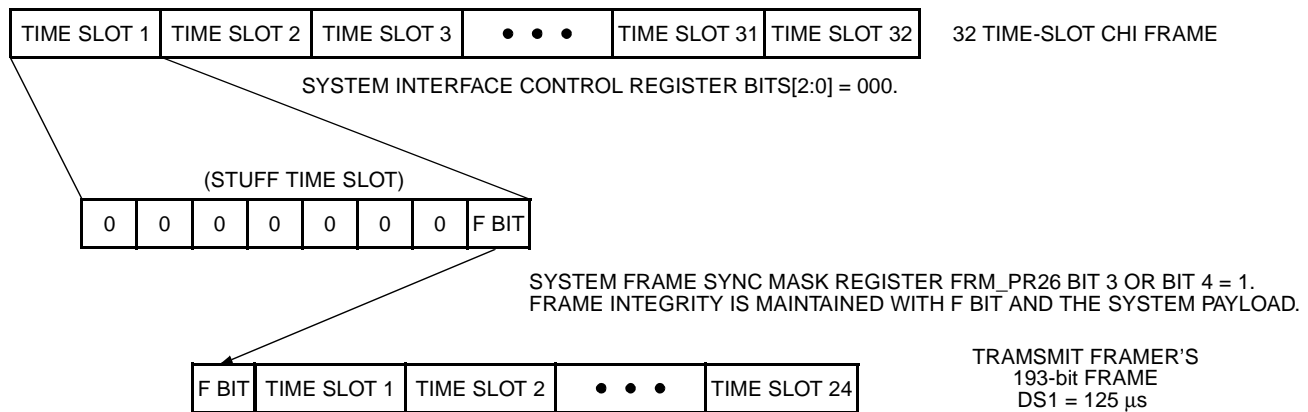
Frame Formats (continued)

Transparent Framing Format

The transmit framer can be programmed to transparently transmit 193 bits of system data to the line. The system interface must be programmed such that the stuffed time slots are 1, 5, 9, 13, 17, 21, 25, and 29 (FRM_PR43 bits 2—0 must be set to 000) and either transparent framing mode 1 or transparent framing mode 2 is enabled (FRM_PR26 bit 3 or bit 4 must be set to 1).

In transparent mode 1 or mode 2, the transmit framer extracts from the receive system data bit 8 of time slot 1 and inserts this bit into the framing bit position of the transmit line data. The other 7 bits of the receive system time slot 1 are ignored by the transmit framer. The receive framer will extract the F-bit (or 193rd bit) of the receive line data and insert it into bit 7 of time slot 1 of the system data; the other bits of time slot 1 are set to 0.

Frame integrity is maintained in both the transmit and receive framer sections.



5-5989(F).b

Figure 8. T1 Transparent Frame Structure

In transparent framing mode 1, the receive framer is forced **not** to reframe on the receive line data. Other than bipolar violations and unframed AIS monitoring, there is **no** processing of the receive line data. The receive framer will insert the 193rd bit of the receive line data into bit 8 of time slot 1 of the transmit system data.

In transparent framing mode 2, the receive framer functions normally on receive line data. All normal monitoring of receive line data is performed and data is passed to the transmit CHI as programmed. The receive framer will insert the extracted framing bit of the receive line data into bit 8 of time slot 1 of the transmit system data. The remaining bits in time slot 1 are set to 0.

Frame Formats (continued)**D4 Frame Format**

D4 superframe format consists of 12 DS1 frames. Table 8 shows the structure of the D4 superframe.

Table 8. D4 Superframe Format

Frame Number ¹	Framing Bits			Bit Used in Each Time Slot			Signaling Options		
	Bit Number ²	Terminal Frame FT	Signal Frame Fs	Traffic (All Channels)	Remote Alarm ³	Signaling	None ⁴	2-State	4-State
1	0	1	—	1—8	2	—	—	—	—
2	193	—	0	1—8	2	—	—	—	—
3	386	0	—	1—8	2	—	—	—	—
4	579	—	0	1—8	2	—	—	—	—
5	772	1	—	1—8	2	—	—	—	—
6 ⁵	965	—	1	1—7	2	8	—	A	A
7	1158	0	—	1—8	2	—	—	—	—
8	1351	—	1	1—8	2	—	—	—	—
9	1544	1	—	1—8	2	—	—	—	—
10	1737	—	1	1—8	2	—	—	—	—
11	1930	0	—	1—8	2	—	—	—	—
12 ⁵	2123	—	0	1—7	2	8	—	A	B

1. Frame 1 is transmitted first.

2. Following ANS/T1.403, the bits are numbered 0—2315. Bit 0 is transmitted first. Bits in each DS0 time slot are numbered 1 through 8, and bit 1 of each DS0 is transmitted first.

3. The remote alarm forces bit 2 of each time slot to a 0-state when enabled. The Japanese remote alarm forces framing bit 12 (bit number 2123) to a 1-state when enabled.

4. Signaling option none uses bit 8 for traffic data.

5. Frames 6 and 12 contain the robbed-bit signaling information in bit 8 of each voice channel, when enabled.

The receive framer uses both the FT and Fs framing bits during its frame alignment procedure.

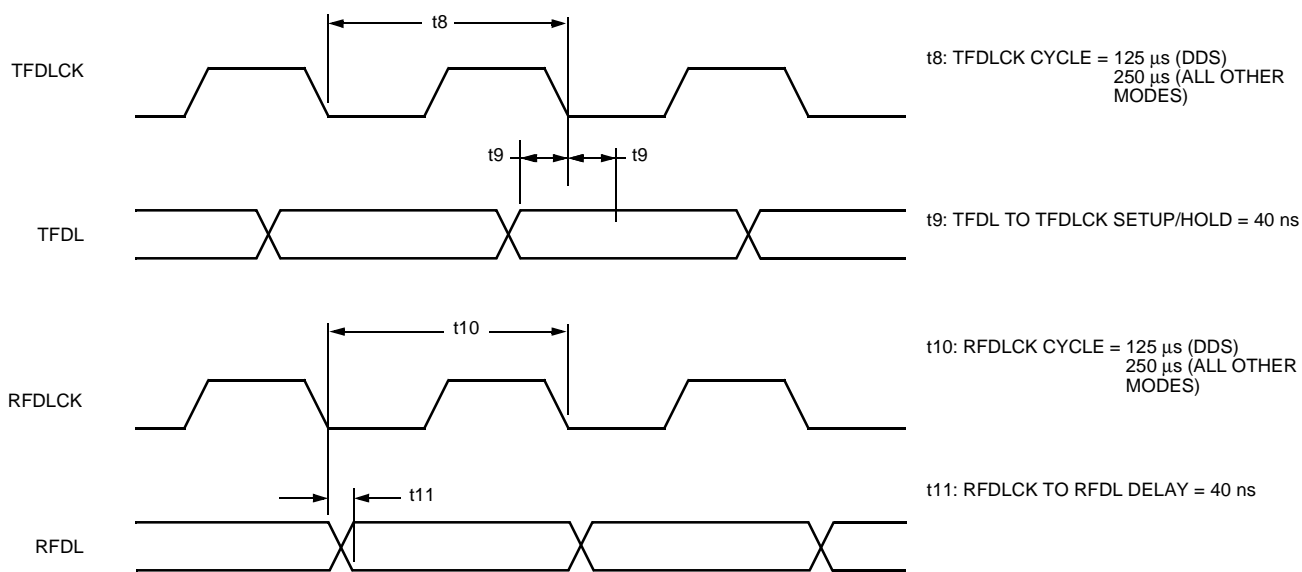
Frame Formats (continued)

Digital Data Service (DDS) Frame Format

The superframe format for DDS is the same as that given for D4. DDS is intended to be used for data-only traffic, and as such, the system should ensure that the framer is in the nonsignaling mode. DDS uses time slot 24 (FAS channel) to transmit the remote frame alarm and data link bits. The format for time slot 24 is shown in Table 9. The facility data link timing is shown in Figure 9 below.

Table 9. DDS Channel-24 Format

Time Slot 24 =	10111YD0
Y = (bit 6)	Remote frame alarm: 1 = no alarm state; 0 = alarm state
D = (bit 7)	Data link bits (8 kbits/s)

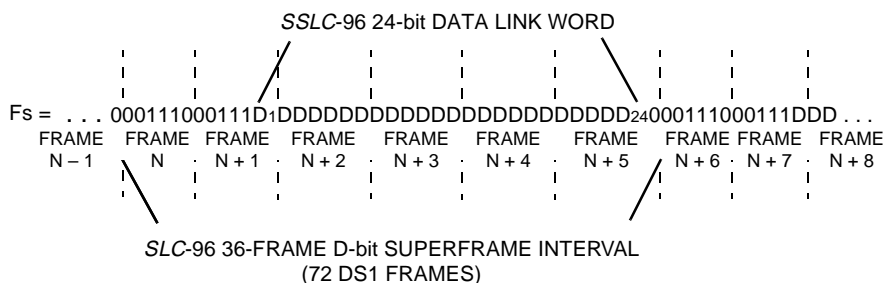


5-3910(F).cr.1

Figure 9. T7633 Facility Data Link Access Timing of the Transmit and Receive Framer Sections

SLC-96 Frame Format

SLC-96 superframe format consists of 12 DS1 frames similar to D4. The F_T pattern is exactly the same as D4. The F_s pattern uses that same structure as D4 but also incorporates a 24-bit data link word as shown below.



5-6421(F)r.1

Figure 10. SLC-96 Frame Format

Frame Formats (continued)

External TFDL Source. Data may be inserted and extracted from the *SLC-96* data link from either the external facility data link (TFDL) ports or the *SLC-96* data stack. Source selection is controlled by FRM_PR21 bit 6 and FRM_PR29 bit 5—bit 7.

The transmit framer synchronizes on TFDL = 000111000111 . . . and forces a superframe boundary based on this pattern. When sourcing an external bit stream, it is the system's responsibility to ensure that TFDL data contain the pattern of 000111000111 The D pattern sequence is shown in Table 10. Table 11 shows the encoding for the line switch field.

Table 10. SLC-96 Data Link Block Format

Data Link Block	Bit Definition	Bit Value
D1 (leftmost bit)	C1—concentrator bit	0 or 1
D2	C2—concentrator bit	0 or 1
D3	C3—concentrator bit	0 or 1
D4	C4—concentrator bit	0 or 1
D5	C5—concentrator bit	0 or 1
D6	C6—concentrator bit	0 or 1
D7	C7—concentrator bit	0 or 1
D8	C8—concentrator bit	0 or 1
D9	C9—concentrator bit	0 or 1
D10	C10—concentrator bit	0 or 1
D11	C11—concentrator bit	0 or 1
D12	Spoiler bit 1	0
D13	Spoiler bit 2	1
D14	Spoiler bit 3	0
D15	M1—maintenance bit	0 or 1
D16	M2—maintenance bit	0 or 1
D17	M3—maintenance bit	0 or 1
D18	A1—alarm bit	0 or 1
D19	A2—alarm bit	0 or 1
D20	S1—line-switch bit	Defined in Table 11
D21	S2—line-switch bit	Defined in Table 11
D22	S3—line-switch bit	Defined in Table 11
D23	S4—line-switch bit	Defined in Table 11
D24 (rightmost bit)	Spoiler bit 4	1

Frame Formats (continued)

Table 11. SLC-96 Line Switch Message Codes

S1	S2	S3	S4	Code Definition
1	1	1	1	Idle
1	1	1	0	Switch line A receive
1	1	0	1	Switch line B transmit
1	1	0	0	Switch line C transmit
1	0	1	0	Switch line D transmit
0	1	0	1	Switch line B transmit and receive
0	1	0	0	Switch line B transmit and receive
0	0	1	0	Switch line B transmit and receive

Internal SLC-96 Stack Source. Optionally, a SLC-96 FDL stack may be used to insert and correspondingly extract the FDL information in the SLC-96 frame format.

The transmit SLC-96 FDL bits are sourced from the transmit framer SLC-96 FDL stack. The SLC-96 FDL stack (see FRM_PR31—FRM_PR35) consists of five 8-bit registers that contain the SLC-96 FS and D-bit information as shown in Table 12. The transmit stack data is transmitted to the line when the stack enable mode is active in the parameter registers FRM_PR21 bit 6 = 1 and FRM_PR29 bit 5—bit 7 = x10 (binary).

The receive SLC-96 stack data is received when the receive framer is in the superframe alignment state. In the SLC-96 mode, while in the loss of superframe alignment (LSFA) state, updating of the receive framer SLC-96 stack is halted and neither the receive stack interrupt nor receive stack flag are asserted.

Table 12. Transmit and Receive SLC-96 Stack Structure

Register Number	Bit 7 (MSB)	Bit 6	Bit 5	Bit 4	Bit 3	Bit 2	Bit 1	Bit 0 (LSB)
1 (LSR)	0	0	0	0	0	1	1	1
2	0	0	0	0	0	1	1	1
3	C1	C2	C3	C4	C5	C6	C7	C8
4	C9	C10	C11	SPB1 = 0	SPB2 = 1	SPB3 = 0	M1	M2
5	M3	A1	A2	S1	S2	S3	S4	SPB4 = 1

Bit 5—bit 0 of the first 2 bytes of the SLC-96 FDL stack in Table 12 are transmitted to the line as the SLC-96 Fs sequence. Bit 7 of the third stack register is transmitted as the C1 bit of the SLC-96 D sequence. The spoiler bits (SPB1, SPB2, SPB3, and SPB4) are taken directly from the transmit stack. The protocol for accessing the SLC-96 stack information for the transmit and receive framer is described below. The transmit SLC-96 stack must be written with valid data when transmitting stack data.

The device indicates that it is ready for an update of its transmit stack by setting register FRM_SR4 bit 5 (SLC-96 transmit FDL stack ready) high. At this time, the system has about 9 ms to update the stack. Data written to the stack during this interval will be transmitted during the next SLC-96 superframe D-bit interval. By reading bit 5 in register SR4, the system clears this bit so that it can indicate the next time the transmit stack is ready. If the transmit stack is not updated, then the content of the stack is retransmitted to the line. The start of the SLC-96 36-frame Fs interval of the transmit framer is a function of the first 2 bytes of the SLC-96 transmit stack registers. These bytes must be programmed as shown in Table 12. Programming any other state into these two registers disables the proper transmission of the SLC-96 D bits. Once programmed correctly, the transmit SLC-96 D-bit stack is transmitted synchronous to the transmit SLC-96 superframe structure.

On the receive side, the device indicates that it has received data in the receive FDL stack (registers FRM_SR54—FRM_SR58) by setting bit 4 in register FRM_SR4 (SLC-96 receive FDL stack ready) high. The system then has about 9 ms to read the content of the stack before it is updated again (old data lost). By reading bit 4 in register FRM_SR4, the system clears this bit so that it can indicate the next time the receive stack is ready. As explained above, the SLC-96 receive stack is not updated when superframe alignment is lost.

Frame Formats (continued)**Extended Superframe Format**

The extended superframe format consists of 24 DS1 frames. The F bits are used for frame alignment, superframe alignment, error checking, and facility data link transport. Table 13 shows the ESF frame format.

Table 13. Extended Superframe (ESF) Structure

Frame Number ¹	Frame Bit				Bit Use in Each Time Slot		Signaling Option ²			
	Bit Number ³	FE	DL	CRC-6 ⁴	Traffic	Signaling	None ⁵	2-State	4-State	16-State
1	0	—	D	—	1—8	—	—	—	—	—
2	193	—	—	C1	1—8	—	—	—	—	—
3	386	—	D	—	1—8	—	—	—	—	—
4	579	0	—	—	1—8	—	—	—	—	—
5	772	—	D	—	1—8	—	—	—	—	—
6 ⁶	965	—	—	C2	1—7	8	—	A	A	A
7	1158	—	D	—	1—8	—	—	—	—	—
8	1351	0	—	—	1—8	—	—	—	—	—
9	1544	—	D	—	1—8	—	—	—	—	—
10	1737	—	—	C3	1—8	—	—	—	—	—
11	1930	—	D	—	1—8	—	—	—	—	—
12 ⁶	2123	1	—	—	1—7	8	—	A	B	B
13	2316	—	D	—	1—8	—	—	—	—	—
14	2509	—	—	C4	1—8	—	—	—	—	—
15	2702	—	D	—	1—8	—	—	—	—	—
16	2895	0	—	—	1—8	—	—	—	—	—
17	3088	—	D	—	1—8	—	—	—	—	—
18 ⁶	3281	—	—	C5	1—7	8	—	A	A	C
19	3474	—	D	—	1—8	—	—	—	—	—
20	3667	1	—	—	1—8	—	—	—	—	—
21	3860	—	D	—	1—8	—	—	—	—	—
22	4053	—	—	C6	1—8	—	—	—	—	—
23	4246	—	D	—	1—8	—	—	—	—	—
24 ⁶	4439	1	—	—	1—7	8	—	A	B	D

1. Frame 1 is transmitted first.

2. The remote alarm is a repeated 111111100000000 pattern in the DL when enabled.

3. Following ANSI/T1.403, the bits are numbered 0—4361. Bit 0 is transmitted first. Bits in each DS0 time slot are numbered 1 through 8, and bit 1 of each DS0 is transmitted first.

4. The C1 to C6 bits are the cyclic redundancy check-6 (CRC-6) checksum bits calculated over the previous extended superframe.

5. Signaling option none uses bit 8 for traffic data.

6. Frames 6, 12, 18, and 24 contain the robbed-bit signaling information in bit 8 of each voice channel, when enabled.

The ESF format allows for in-service error detection and diagnostics on T1 circuits. ESF format consist of 24 framing bits: 6 for framing synchronization (2 kbits/s); 6 for error detection (2 kbits/s); and 12 for in-service monitoring and diagnostics (4 kbits/s).

Frame Formats (continued)

Cyclic redundancy checking is performed over the entire ESF data payload (4,608 data bits, with all 24 framing bits (FE, DL, CRC-6) set to 1 during calculations). The CRC-6 bits transmitted in ESF will be determined as follows:

- The check bits, c1 through c6, contained in ESF(n + 1) will always be those associated with the contents of ESF(n), the immediately preceding ESF. When there is no ESF immediately preceding, the check bits may be assigned any value.
- For the purpose of CRC-6 calculation only, every F bit in ESF(n) is set to 1. ESF(n) is altered in no other way.
- The resulting 4632 bits of ESF(n) are used, in order of occurrence, to construct a polynomial in x such that the first bit of ESF(n) is the coefficient of the term x^{4631} and the last bit of ESF(n) is the coefficient of the term x^0 .
- The polynomial is multiplied by the factor x^6 , and the result is divided, modulo 2, by the generator polynomial $x^6 + x + 1$. The coefficients of the remainder polynomial are used, in order of occurrence, as the ordered set of check bits, c1 through c6, that are transmitted in ESF(n + 1). The ordering is such that the coefficient of the term x^5 in the remainder polynomial is check bit c1 and the coefficient of the term x^0 in the remainder polynomial is check bit c6.

The ESF remote frame alarm consists of a repeated eight ones followed by eight 0s transmitted in the data link position of the framing bits.

T1 Loss of Frame Alignment (LFA)

Loss of frame alignment condition for the superframe or the extended superframe formats is caused by the inability of the receive framer to maintain the proper sequence of frame bits. The number of errored framing bits required to detect a loss of frame alignment is given in Table 14.

Table 14. T1 Loss of Frame Alignment Criteria

Format	Number of Errored Framing Bits That Will Cause a Loss of Frame Alignment Condition
D4	2 errored frame bits (FT or Fs) out of 4 consecutive frame bits if FRM_PR10 bit 2 = 1. 2 errored FT bits out of 4 consecutive FT bits if PRM_PR10 bit 2 = 0.
SLC-96	2 errored frame bits (FT or Fs) out of 4 consecutive frame bits if FRM_PR10 bit 2 = 1. 2 errored FT bits out of 4 consecutive FT bits if FRM_PR10 bit 2 = 0.
DDS: Frame	3 errored frame bits (FT or Fs) or channel 24 FAS pattern out of 12 consecutive frame bits.
ESF	2 errored FE bits out of 4 consecutive FE bits or optionally 320 or more CRC-6 errored check-sums within a one second interval if loss of frame alignment due to excessive CRC-6 errors is enabled in FRM_PR9.

The receive framer indicates the loss of frame and superframe conditions by setting the LFA and LSFA bits (FRM_SR1 bit 0 and bit 1), respectively, in the status registers for the duration of the conditions. The local system may give indication of its LFA state to the remote end by transmitting a remote frame alarm (RFA). In addition, in the LFA state, the system may transmit an alarm indication signal (AIS) to the system interface.

Frame Formats (continued)**T1 Frame Recovery Alignment Algorithms**

When in a loss of frame alignment state, the receive framer searches for a new frame alignment and forces its internal circuitry to this new alignment. The receive framer's synchronization circuit inhibits realignment in T1 framing formats when repetitive data patterns emulate the T1 frame alignment patterns. T1 frame synchronization will not occur until all frame sequence emulating patterns disappear and only one valid pattern exists. The loss of frame alignment state will always force a loss of superframe alignment state. Superframe alignment is established only after frame alignment has been determined in the D4 and *SLC-96* frame format. Table 15 gives the requirements for establishing T1 frame and superframe alignment.

Table 15. T1 Frame Alignment Procedures

Frame Format	Alignment Procedure
D4: Frame	Using the F_T frame position as the starting point, frame alignment is established when 24 consecutive F_T and F_S frame bits, excluding the twelfth F_S bit, (48 total frames) are received error-free. Once frame alignment is established, then superframe alignment is determined.
D4: Superframe	After frame alignment is determined, two valid superframe bit sequences using the F_S bits must be received error-free to establish superframe alignment.
<i>SLC-96</i> : Frame	Using the F_T frame position as the starting point, frame alignment is established when 24 consecutive F_T frame bits (48 total frames) are received error-free. Once frame alignment is established, then superframe alignment is determined.
<i>SLC-96</i> : Superframe	After frame alignment is determined, superframe alignment is established on the first valid superframe bit sequence 000111000111.
DDS: Frame	Using the F_T frame position as the starting point, frame alignment is established when six consecutive F_T/F_S frame bits and the DDS FAS in time slot 24 are received error-free. In the DDS format, there is no search for a superframe structure.
ESF	Frame and superframe alignment is established simultaneously using the F_E framing bit. Alignment is established when 24 consecutive F_E bits are received error-free. Once frame/superframe alignment is established, the CRC-6 receive monitor is enabled.

Frame Formats (continued)

T1 Robbed-Bit Signaling

To enable signaling, register FRM_PR44 bit 0 (TSIG) must be set to 0.

Robbed-bit signaling, used in either ESF or SF framing formats, robs the eighth bit of the voice channels of every sixth frame. The signaling bits are designated A, B, C, and D, depending on the signaling format used. The robbed-bit signaling format used is defined by the state of the F and G bits in the signaling registers (see DS1: Robbed-Bit Signaling on page 61). The received channel robbed-bit signaling format is defined by the corresponding transmit signaling F and G bits. Table 16 shows the state of the transmitted signaling bits as a function of the F and G bits.

Table 16. Robbed-Bit Signaling Options

G	F	Robbed-Bit Signaling Format	Frame			
			6	12	18	24
0	0	ESF: 16-State SLC*: 9-State, 16-State	A	B	C	D
0	1	4-State	A	B	A	B
1	0	Data channel (no signaling)	PAYLOAD DATA			
1	1	2-State	A	A	A	A

* See register FRM_PR43 bit 3 and bit 4.

The robbed-bit signaling format for each of the 24 T1 transmit channels is programmed on a per-channel basis by setting the F and G bits in the transmit signaling direction.

SLC-96 9-State Signaling

SLC-96 9-state signaling state is enabled by setting both the F and G bits in the signaling registers to the 0-state, setting the SLC-96 signaling control register FRM_PR43 bit 3 to 1, and setting register FRM_PR44 bit 0 to 0. Table 17 shows the state of the transmitted signaling bits to the line as a function of the A-, B-, C-, and D-bit settings in the transmit signaling registers. In Table 17 below, X indicates either a 1- or a 0-state, and T indicates a toggle, transition from either 0 to 1 or 1 to 0, of the transmitted signaling bit.

In the line receive direction, this signaling mode functions identically to the preceding transmit path description.

Table 17. SLC-96 9-State Signaling Format

Transmit Signaling Register Settings					Transmit to the Line Signal Bits	
SLC-96 Signaling States	A	B	C	D	A = f(A, C)	B = f(B, D)
State 1	0	0	0	0	0	0
State 2	0	0	0	1	0	T
State 3	0	1	0	X	0	1
State 4	0	0	1	0	T	0
State 5	0	0	1	1	T	T
State 6	0	1	1	X	T	1
State 7	1	0	X	0	1	0
State 8	1	0	X	1	1	T
State 9	1	1	X	X	1	1

Frame Formats (continued)**16-State Signaling**

The default signaling mode while in *SLC-96* framing is 16-state signaling. *SLC-96* 16-state signaling is enabled by setting both the F and G bits in the signaling registers to the 0 state, setting the *SLC-96* signaling control register FRM_PR43 bit 3 and bit 4 to 0, and setting register FRM_PR44 bit 0 to 0. Table 18 shows the state of the transmitted signaling bits to the line as a function of the A-, B-, C-, and D-bit settings in the transmit signaling registers. In Table 18 below, under Transmit to the Line Signal Bits, A and B are transmitted into one *SLC-96* 12-frame signaling superframe, while A' and B' are transmitted into the next successive *SLC-96* 12-frame signaling superframe.

In the line receive direction, this signaling mode functions identically to the preceding transmit path description.

The signaling mapping of this 16-state signaling mode is equivalent to the mapping of the *SLC-96* 9-state signaling mode.

Table 18. 16-State Signaling Format

Transmit Signaling Register Settings					Transmit to the Line Signal Bits			
<i>SLC-96</i> Signaling States	A	B	C	D	A	B	A'	B'
State 0	0	0	0	0	0	0	0	0
State 1	0	0	0	1	0	0	0	1
State 2	0	0	1	0	0	0	1	0
State 3	0	0	1	1	0	0	1	1
State 4	0	1	0	0	0	1	0	0
State 5	0	1	0	1	0	1	0	1
State 6	0	1	1	0	0	1	1	0
State 7	0	1	1	1	0	1	1	1
State 8	1	0	0	0	1	0	0	0
State 9	1	0	0	1	1	0	0	1
State 10	1	0	1	0	1	0	1	0
State 11	1	0	1	1	1	0	1	1
State 12	1	1	0	0	1	1	0	0
State 13	1	1	0	1	1	1	0	1
State 14	1	1	1	0	1	1	1	0
State 15	1	1	1	1	1	1	1	1

Frame Formats (continued)

CEPT 2.048 Basic Frame, CRC-4 Time Slot 0, and Signaling Time Slot 16 Multiframe Structures

As defined in TU Rec. G.704, the CEPT 2.048 frame, CRC-4 multiframe, and channel associated signaling multi-frame structures are illustrated in Figure 11

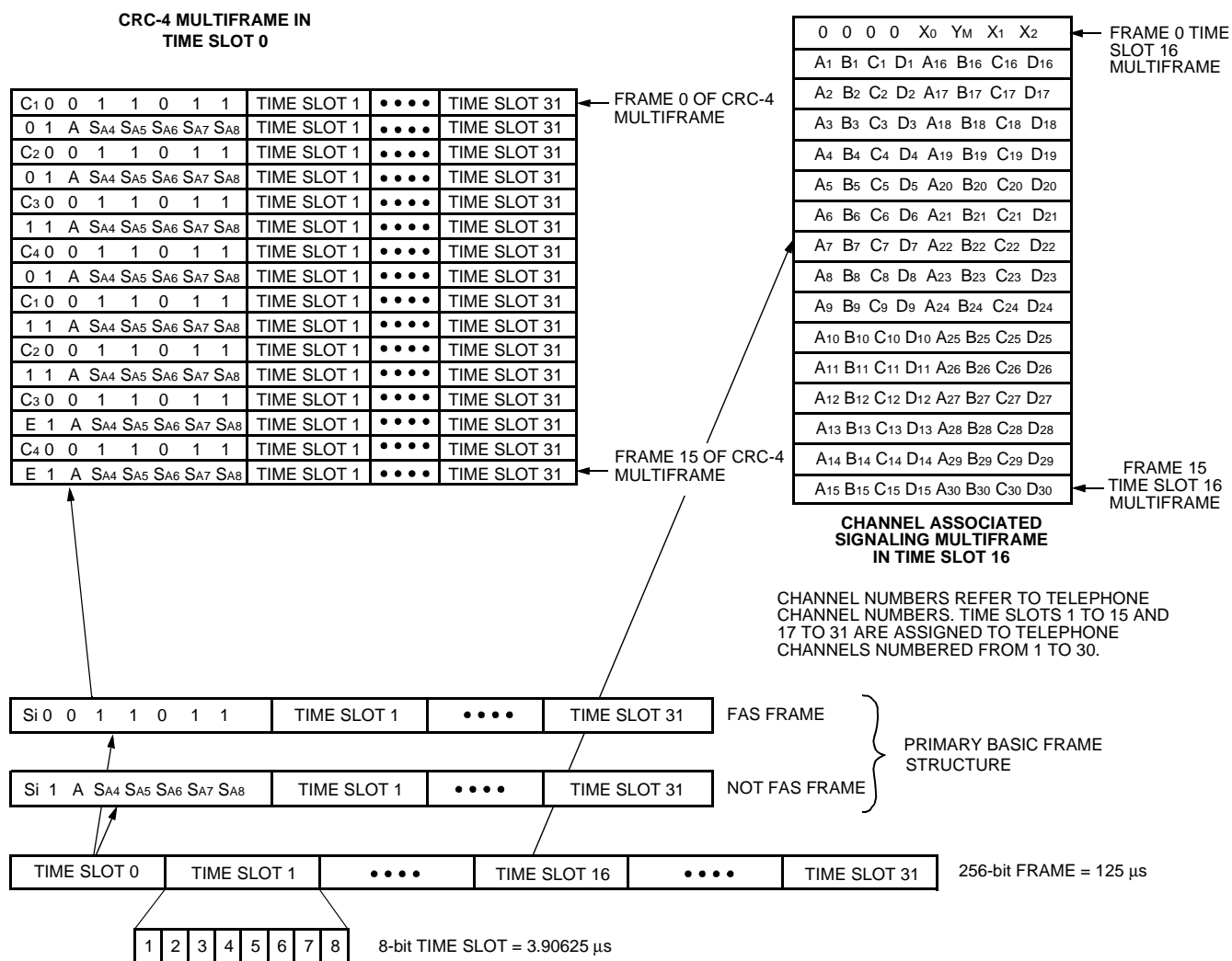


Figure 11. ITU 2.048 Basic Frame, CRC-4 Multiframe, and Channel Associated Signaling Multiframe Structures

Frame Formats (continued)**CEPT 2.048 Basic Frame Structure**

The ITU Rec. G.704 Section 2.3.1 defined frame length is 256 bits, numbered 1 to 256. The frame repetition rate is 8 kHz. The allocation of bits numbered 1 to 8 of the frame is shown in Table 19.

Table 19. Allocation of Bits 1 to 8 of the FAS Frame and the NOT FAS Frame

Basic Frames	Bit 1 (MSB)	Bit 2	Bit 3	Bit 4	Bit 5	Bit 6	Bit 7	Bit 8 (LSB)
Frame Alignment Signal (FAS)	Si	0	0	1	1	0	1	1
Not Frame Alignment Signal (NOT FAS)	Si	1	A	Sa4	Sa5	Sa6	Sa7	Sa8

The function of each bit in Table 19 is described below:

- The Si bits are reserved for international use. A specific use for these bits is described in Table 20. ITU CRC-4 Multiframe Structure. If no use is realized, these bits should be fixed at 1 on digital paths crossing an international border.
- Bit 2 of the NOT FAS frames is fixed to 1 to assist in avoiding simulations of the frame alignment signal.
- Bit 3 of the NOT FAS is the remote alarm indication (A bit). In undisturbed operation, this bit is set to 0; in alarm condition, set to 1.
- Bits 4—8 of the NOT FAS (Sa4—Sa8) may be recommended by ITU for use in specific point-to-point applications. Bit Sa4 may be used as a message-based data link for operations, maintenance, and performance monitoring. If the data link is accessed at intermediate points with consequent alterations to the Sa4 bit, the CRC-4 bits must be updated to retain the correct end-to-end path termination functions associated with the CRC-4 procedure. The receive framer does not implement the CRC-4 modifying algorithm described in ITU Rec. G.706 Annex C. Bits Sa4—Sa8, where these are not used, should be set to 1 on links crossing an international border.
- MSB = most significant bit and is transmitted first.
- LSB = least significant bit and is transmitted last.

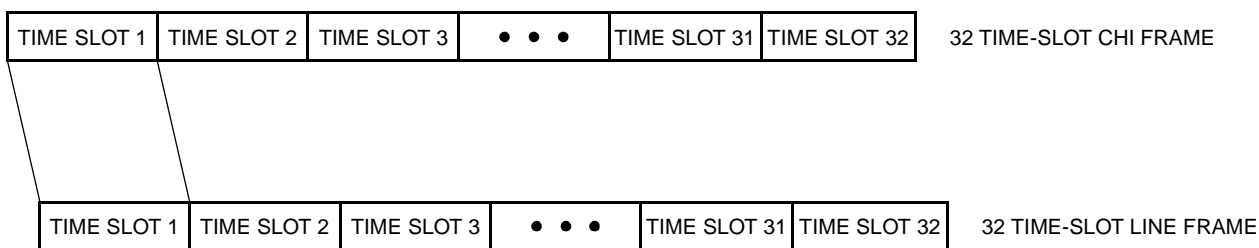
Frame Formats (continued)

Transparent Framing Format

The transmit framer can be programmed to transparently transmit 256 bits of system data to the line. The transmit framer must be programmed to either transparent framing mode 1 or transparent framing mode 2 (see Table 136. Framer Reset and Transparent Mode Control Register (FRM_PR26) (Y7A)).

In transparent mode 1 or mode 2, the transmit framer transmits all 256 bits of the RCHI payload unmodified to the line. Time slot 1 of the RCHI, determined by the CHIFS signal, is inserted into the FAS/NOT FAS time slot of the transmit line interface.

Frame integrity is maintained in both the transmit and receive framer sections.



5-5988(F)

Figure 12. CEPT Transparent Frame Structure

In transparent framing mode 1, the receive framer is forced **not** to reframe on the receive line data. Other than bipolar violations and unframed AIS monitoring, there is **no** processing of the receive line data. The entire receive line payload is transmitted unmodified to the CHI.

In transparent framing mode 2, the receive framer functions normally on the receive line data. All normal monitoring of receive line data is performed and data is transmitted to the CHI as programmed.

Frame Formats (continued)**CEPT Loss of Basic Frame Alignment (LFA)**

Frame alignment is assumed to be lost when the following occurs :

- As described in ITU Rec. G.706 Section 4.1.1, three consecutive incorrect frame alignment signals have been received.
- So as to limit the effect of spurious frame alignment signals, when bit 2 in time slot 0 in NOT FAS frames has been received with an error on three consecutive occasions.
- Optionally, as described in ITU Rec. G.706 Section 4.3.2, by exceeding a count of >914 errored CRC-4 blocks out of 1000, with the understanding that a count of ≥ 915 errored CRC blocks indicates false frame alignment.
- On demand via the control registers.
- In the LFA state:
 - No additional FAS or NOT FAS errors are processed.
 - The received remote frame alarm (received A bit) is deactivated.
 - All NOT FAS bit (Si bit, A bit, and Sa4 to Sa8 bits) processing is halted.
 - Receive Sa6 status bits are set to 0.
 - Receive Sa6 code monitoring and counting is halted.
 - All receive Sa stack data updates are halted. The receive Sa stack ready, register FRM_SR4 bit 6 and bit 7, is set to 0. If enabled, the receive Sa stack interrupt bit is set to 0.
 - Receive data link (RFDL) is set to 1 and RFDCLK maintains previous alignment.
 - Optionally, the remote alarm indication ($A = 1$) may be automatically transmitted to the line if register FRM_PR27 bit 0 is set to 1.
 - Optionally, the alarm indication signal (AIS) may be automatically transmitted to the system if register FRM_PR19 bit 0 is set to 1.

- If CRC-4 is enabled, loss of CRC-4 multiframe alignment is forced.
- If CRC-4 is enabled, the monitoring and processing of CRC-4 checksum errors is halted.
- If CRC-4 is enabled, all monitoring and processing of received E-bit information is halted.
- If CRC-4 is enabled, the receive continuous E-bit alarm is deactivated.
- If CRC-4 is enabled, optionally, E bit = 0 is transmitted to the line for the duration of loss of CRC-4 multiframe alignment if register FRM_PR28 bit 4 is set to 1.
- If time slot 16 signaling is enabled, loss of the signaling multiframe alignment is forced.
- If time slot 16 signaling is enabled, updating of the signaling data is halted.

CEPT Loss of Frame Alignment Recovery Algorithm

The receive framer begins the search for basic frame alignment one bit position beyond the position where the LFA state was detected. As defined in ITU Rec. G.706.4.1.2, frame alignment will be assumed to have been recovered when the following sequence is detected as follows:

- For the first time, the presence of the correct frame alignment signal in frame n .
- The absence of the frame alignment signal in the following frame detected by verifying that bit 2 of the basic frame is a 1 in frame $n + 1$.
- For the second time, the presence of the correct frame alignment in the next frame, $n + 2$.

Failure to meet the second or third bullet above will initiate a new basic frame search in frame $n + 2$.

Frame Formats (continued)

CEPT Time Slot 0 CRC-4 Multiframe Structure

The CRC-4 multiframe is in bit 1 of each NOT FAS frame. As described in ITU Rec. G.704 Section 2.3.3.1, where there is a need to provide additional protection against simulation of the frame alignment signal, and/or where there is a need for an enhanced error monitoring capability, then bit 1 of each frame may be used for a cyclic redundancy check-4 (CRC-4) procedure as detailed below. The allocation of bits 1—8 of time slot 0 of every frame is shown in Table 20 for the complete CRC-4 multiframe.

Table 20. ITU CRC-4 Multiframe Structure

Multiframe	Submultiframe (SMF)	Frame Number	Bits							
			1	2	3	4	5	6	7	8
	I	0	C1	0	0	1	1	0	1	1
		1	0	1	A	Sa4	Sa5	Sa6	Sa7	Sa8
		2	C2	0	0	1	1	0	1	1
		3	0	1	A	Sa4	Sa5	Sa6	Sa7	Sa8
		4	C3	0	0	1	1	0	1	1
		5	1	1	A	Sa4	Sa5	Sa6	Sa7	Sa8
		6	C4	0	0	1	1	0	1	1
		7	0	1	A	Sa4	Sa5	Sa6	Sa7	Sa8
	II	8	C1	0	0	1	1	0	1	1
		9	1	1	A	Sa4	Sa5	Sa6	Sa7	Sa8
		10	C2	0	0	1	1	0	1	1
		11	1	1	A	Sa4	Sa5	Sa6	Sa7	Sa8
		12	C3	0	0	1	1	0	1	1
		13	E	1	A	Sa4	Sa5	Sa6	Sa7	Sa8
		14	C4	0	0	1	1	0	1	1
		15	E	1	A	Sa4	Sa5	Sa6	Sa7	Sa8

Notes:

C1 to C4 = cyclic redundancy check-4 (CRC-4) bits.

E = CRC-4 error indication bits.

Sa4 to Sa8 = spare bits.

A = remote frame alarm (RFA) bit (active-high); referred to as the A bit.

The CRC-4 multiframe consists of 16 frames numbered 0 to 15 and is divided into two eight-frame submultiframes (SMF), designated SMF-I and SMF-II that signifies their respective order of occurrence within the CRC-4 multiframe structure. The SMF is the CRC-4 block size (2048 bits). In those frames containing the frame alignment signal (FAS), bit 1 is used to transmit the CRC-4 bits. There are four CRC-4 bits, designated C1, C2, C3, and C4 in each SMF. In those frames not containing the frame alignment signal (NOT FAS), bit 1 is used to transmit the 6-bit CRC-4 multiframe alignment signal and two CRC-4 error indication bits (E). The multiframe alignment signal is defined in ITU Rec. G.704 Section 2.3.3.4, as 001011. Transmitted E bits should be set to 0 until both basic frame and CRC-4 multiframe alignment are established. Thereafter, the E bits should be used to indicate received errored submultiframes by setting the binary state of one E bit from 1 to 0 for each errored submultiframe. The received E bits will always be taken into account, by the receive E-bit processor*, even when the SMF that contains them is found to be errored. In the case where there exists equipment that does not use the E bits, the state of the E bits should be set to a binary 1 state.

* The receive E-bit processor will halt the monitoring of the received E bit during the loss of CRC-4 multiframe alignment.

Frame Formats (continued)

The CRC-4 word, located in submultiframe N, is the remainder after multiplication by x^4 and then division (modulo 2) by the generator polynomial $x^4 + x + 1$, of the polynomial representation of the submultiframe N – 1. Representing the contents of the submultiframe check block as a polynomial, the first bit in the block, i.e., frame 0, bit 1 or frame 8, bit 1, is taken as being the most significant bit and the least significant bit in the check block is frame 7 or frame 15, bit 256. Similarly, C1 is defined to be the most significant bit of the remainder and C4 the least significant bit of the remainder. The encoding procedure, as described in ITU Rec. G.704 Section 2.3.3.5.2, follows:

- The CRC-4 bits in the SMF are replaced by binary 0s.
- The SMF is then acted upon the multiplication/division process referred to above.
- The remainder resulting from the multiplication/division process is stored, ready for insertion into the respective CRC-4 locations of the next SMF.

The decoding procedure, as described in ITU Rec. G.704 Section 2.3.3.5.3, follows:

- A received SMF is acted upon by the multiplication/division process referred to above, after having its CRC-4 bits extracted and replaced by 0s.
- The remainder resulting from this division process is then stored and subsequently compared on a bit-by-bit basis with the CRC bits received in the next SMF.
- If the remainder calculated in the decoder exactly corresponds to the CRC-4 bits received in the next SMF, it is assumed that the checked SMF is error-free.

CEPT Loss of CRC-4 Multiframe Alignment (LTSOMFA)

Loss of basic frame alignment forces the receive framer into a loss of CRC-4 multiframe alignment state. This state is reported by way of the status registers FRM_SR1 bit 2. Once basic frame alignment is achieved, a new search for CRC-4 multiframe alignment is initiated. During a loss of CRC-4 multiframe alignment state the following occurs:

- The CRC-4 error counter is halted.
- The CRC-4 error monitoring circuit for errored seconds and severely errored seconds is halted.
- The received E-bit counter is halted.
- The received E-bit monitoring circuit for errored seconds and severely errored seconds at the remote end interface is halted.
- Receive continuous E-bit monitoring is halted.
- All receive Sa6 code monitoring and counting functions are halted.
- The updating of the receive Sa stack is halted and the receive Sa stack interrupt is deactivated.
- Optionally, A = 1 may be automatically transmitted to the line if register FRM_PR27 bit 2 is set to 1.
- Optionally, E = 0 may be automatically transmitted to the line if register FRM_PR28 bit 4 is set to 1.
- Optionally, if LTSOMFA monitoring in the performance counters is enabled, by setting registers FRM_PR14 through FRM_PR17 bit 1 to 1, then these counts are incremented once per second for the duration of the LTSOMFA state.

Frame Formats (continued)

CEPT Loss of CRC-4 Multiframe Alignment Recovery Algorithms

Several optional algorithms exist in the receive framer. These are selected through programming of register FRM_PR9.

CRC-4 Multiframe Alignment Algorithm with 8 ms Timer

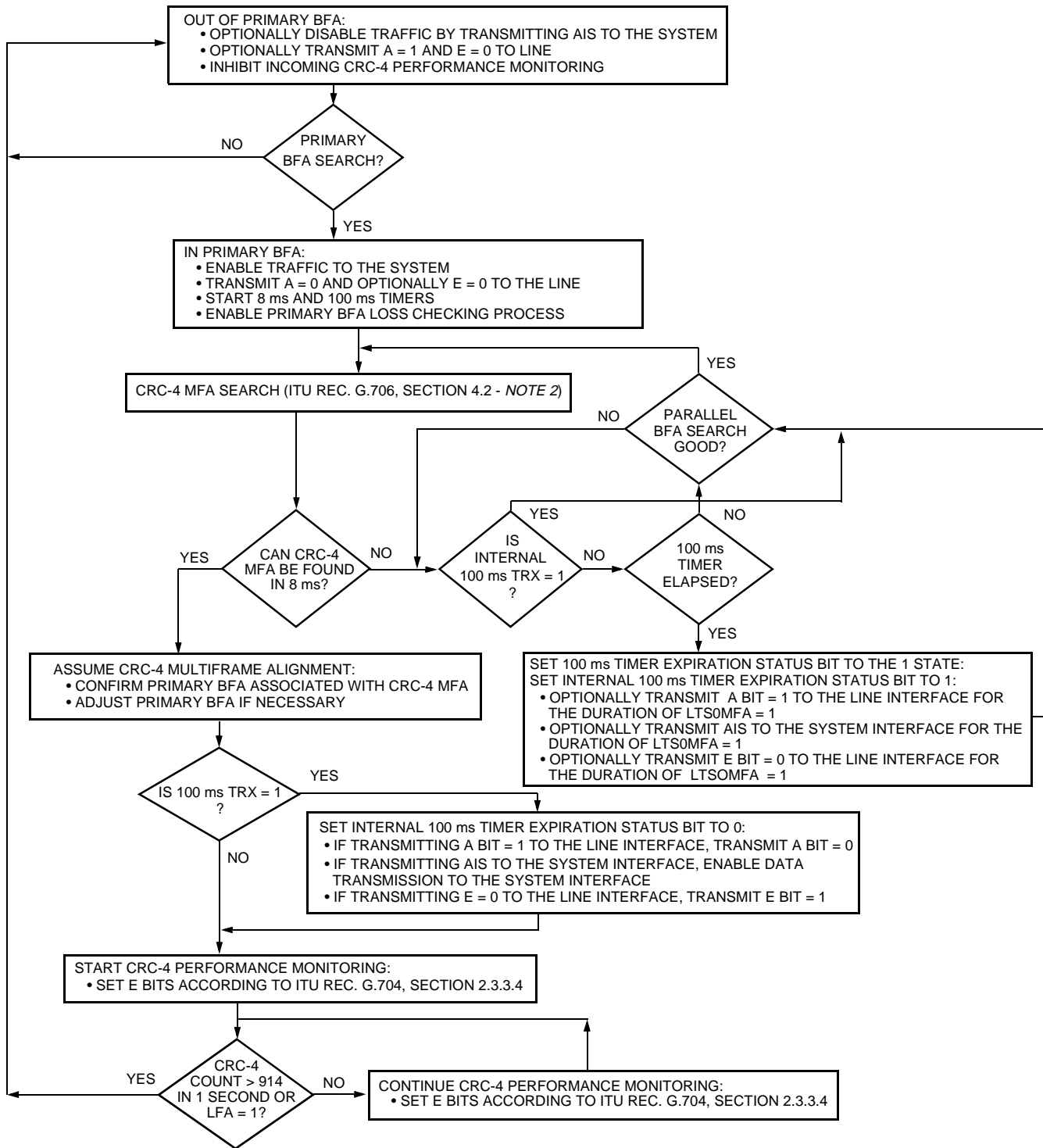
The default algorithm is as described in ITU Rec. G.706 Section 4.2. The recommendation states that if a condition of assumed frame alignment has been achieved, CRC-4 multiframe alignment is deemed to have occurred if at least two valid CRC-4 multiframe alignment signals can be located within 8 ms, the time separating two CRC-4 multiframe signals being 2 ms or a multiple of 2 ms. The search for the CRC-4 multiframe alignment signal is made only in bit 1 of NOT FAS frames. If multiframe alignment cannot be achieved within 8 ms, it is assumed that frame alignment is due to a spurious frame alignment signal and a new parallel search for basic frame alignment is initiated. The new search for the basic frame alignment is started at the point just after the location of the assumed spurious frame alignment signal. During this parallel search for basic frame alignment, there is no indication to the system of a receive loss of frame alignment (RLFA) state. During the parallel search for basic frame alignment and while in primary basic frame alignment, data will flow through the receive framer to the system interface as defined by the current primary frame alignment. The receive framer will continuously search for CRC-4 multiframe alignment.

CRC-4 Multiframe Alignment Algorithm with 100 ms Timer

The CRC-4 multiframe alignment with 100 ms timer mode is enabled by setting FRM_PR9 to 0XXXX1X1 (binary). This CRC-4 multiframe reframe mode starts a 100 ms timer upon detection of basic frame alignment. This is a parallel timer to the 8 ms timer. If CRC-4 multiframe alignment cannot be achieved within the time limit of 100 ms due to the CRC-4 procedure not being implemented at the transmitting side, then an indication is given, and actions are taken equivalent to those specified for loss of basic frame alignment, namely:

- Optional automatic transmission of A = 1 to the line if register FRM_PR27 bit 3 is set to 1.
- Optional automatic transmission of E = 0 to the line if register FRM_PR28 bit 5 is set to 1.
- Optional automatic transmission of AIS to the system if register FRM_PR19 bit 1 is set to 1.

Frame Formats (continued)



5-3909(F).er.2

Figure 13. Receive CRC-4 Multiframe Search Algorithm Using the 100 ms Internal Timer

Frame Formats (continued)

CRC-4 Multiframe Alignment Search Algorithm with 400 ms Timer

The CRC-4 multiframe alignment with 400 ms timer mode is enabled by setting FRM_PR9 to 0XXX1XX1 (binary). This receive CRC-4 multiframe reframe mode is the modified CRC-4 multiframe alignment algorithm described in ITU Rec. 706 Annex B, where it is referred to as CRC-4-to-non-CRC-4 equipment interworking. A flow diagram of this algorithm is illustrated in Figure 14. When the interworking algorithm is enabled, it supersedes the 100 ms algorithm described on page 51 and in Figure 13. This algorithm assumes that a valid basic frame alignment signal is consistently present, but the CRC-4 multiframe alignment cannot be achieved by the end of the total CRC-4 multiframe alignment search period of 400 ms, if the distant end is a non-CRC-4 equipment. In this mode, the following consequent actions are taken:

- An indication that there is no incoming CRC-4 multiframe alignment signal.
- All CRC-4 processing on the receive 2.048 Mbits/s signal is inhibited.
- CRC-4 data is transmitted to the distant end with both E bits set to 0.

This algorithm allows the identification of failure of CRC-4 multiframe alignment generation/detection, but with correct basic framing, when interworking between each piece of equipment having the modified CRC-4 multiframe alignment algorithm.

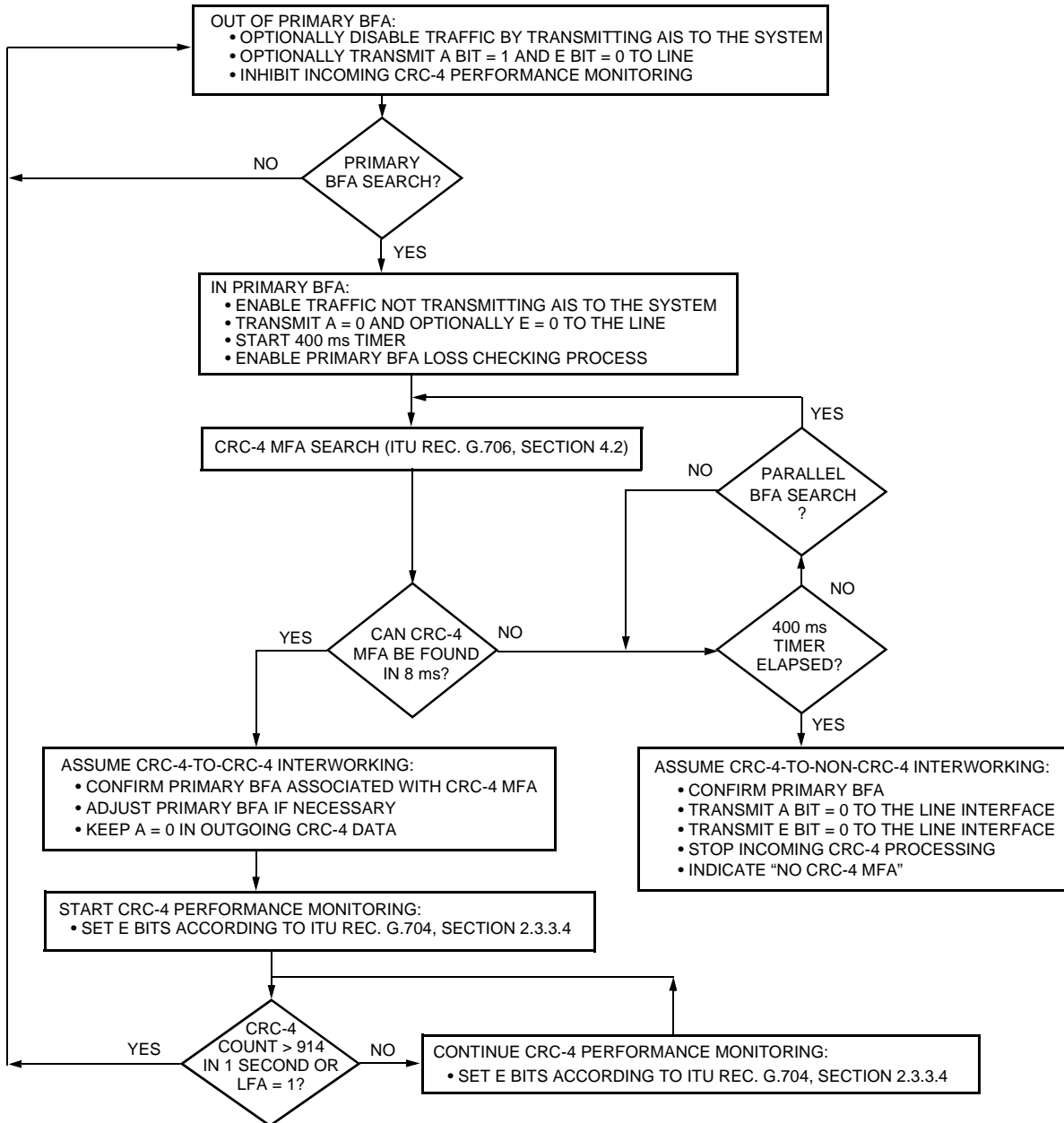
As described in ITU Rec. G.706 Section B.2.3:

- A 400 ms timer is triggered on the initial recovery of the primary basic frame alignment.
- The 400 ms timer reset if and only if:
 - The criteria for loss of basic frame alignment as described in ITU Rec. G.706 Section 4.1.1 is achieved.

- If 915 out of 1000 errored CRC-4 blocks are detected resulting in a loss of basic frame alignment as described in ITU Rec. G.706 Section 4.3.2.
- On-demand reframe is requested.
- The receive framer is programmed to the non-CRC-4 mode.

- The loss of basic frame alignment checking process runs continuously, irrespective of the state of the CRC-4 multiframe alignment process below it.
- A new search for frame alignment is initiated if CRC-4 multiframe alignment cannot be achieved in 8 ms, as described in ITU Rec. G.706 Section 4.2. This new search for basic frame alignment will not reset the 400 ms timer or invoke consequent actions associated with loss of the primary basic frame alignment. In particular, all searches for basic frame alignment are carried out in parallel with, and independent of, the primary basic frame loss checking process. All subsequent searches for CRC-4 multiframe alignment are associated with each basic framing sequence found during the parallel search.
- During the search for CRC-4 multiframe alignment, traffic is allowed through, upon, and to be synchronized to, the initially determined primary basic frame alignment.
- Upon detection of the CRC-4 multiframe before the 400 ms timer elapsing, the basic frame alignment associated with the CRC-4 multiframe alignment replaces, if necessary, the initially determined basic frame alignment.
- If CRC-4 multiframe alignment is not found before the 400 ms timer elapses, it is assumed that a condition of interworking between equipment with and without CRC-4 capability exists and the actions described above are taken.
- If the 2.048 Mbits/s path is reconfigured at any time, then it is assumed that the (new) pair of path terminating equipment will need to re-establish the complete framing process, and the algorithm is reset.

Frame Formats (continued)



5-3909(F).fr.3

Figure 14. Receive CRC-4 Multiframe Search Algorithm for Automatic, CRC-4/Non-CRC-4 Equipment Interworking as Defined by ITU (From ITU Rec. G.706, Annex B.2.2 - 1991)

Frame Formats (continued)

CEPT Time Slot 16 Multiframe Structure

The TFRA08C13 supports two CEPT signaling modes: channel associated signaling (CAS) or per-channel signaling (PCS0 and PCS1).

Channel Associated Signaling (CAS)

The channel associated signaling (CAS) mode utilizes time slot 16 of the FAS and NOT FAS frames. The CAS format is a multiframe consisting of 16 frames where frame 0 of the multiframe contains the multiframe alignment pattern of four zeros in bits 1 through 4. Table 21 illustrates the CAS multiframe of time slot 16. The TFRA08C13 can be programmed to force the transmitted line CAS multiframe alignment pattern to be transmitted in the FAS frame by selecting the PCS0 option or in the NOT FAS frame by selecting the PCS1 option. Alignment of the transmitted line CAS multiframe to the CRC-4 multiframe is arbitrary.

Table 21. ITU CEPT Time Slot 16 Channel Associated Signaling Multiframe Structure

Time Slot 16 Channel Associated Signaling Multiframe	Frame Number	Bit							
		1	2	3	4	5	6	7	8
	0	0	0	0	0	X0	Y _M	X1	X2
	1	A1	B1	C1	D1	A16	B16	C16	D16
	2	A2	B2	C2	D2	A17	B17	C17	D17
	3	A3	B3	C3	D3	A18	B18	C18	D18
	4	A4	B4	C4	D4	A19	B19	C19	D19
	5	A5	B5	C5	D5	A20	B20	C20	D20
	6	A6	B6	C6	D6	A21	B21	C21	D21
	7	A7	B7	C7	D7	A22	B22	C22	D22
	8	A8	B8	C8	D8	A23	B23	C23	D23
	9	A9	B9	C9	D9	A24	B24	C24	D24
	10	A10	B10	C10	D10	A25	B25	C25	D25
	11	A11	B11	C11	D11	A26	B26	C26	D26
	12	A12	B12	C12	D12	A27	B27	C27	D27
	13	A13	B13	C13	D13	A28	B28	C28	D28
	14	A14	B14	C14	D14	A29	B29	C29	D29
	15	A15	B15	C15	D15	A30	B30	C30	D30

Notes:

Frame 0 bits 1—4 define the time slot 16 multiframe alignment.

X0—X2 = time slot 16 spare bits defined in FRM_PR41 bit 0—bit 2.

Y_M = yellow alarm, time slot 16 remote multiframe alarm (RMA) bit (1 = alarm condition).

Frame Formats (continued)**CEPT Loss of Time Slot 16 Multiframe Alignment (LTS16MFA)**

Loss of basic frame alignment forces the receive framer into a loss of time slot 16 signaling multiframe alignment state. In addition, as defined in ITU Rec. G.732 Section 5.2, time slot 16 signaling multiframe is assumed lost when two consecutive time slot 16 multiframe 4-bit all-zero patterns is received with an error. In addition, the time slot 16 multiframe is assumed lost when, for a period of two multiframe, all bits in time slot 16 are in state 0. This state is reported by way of the status registers FRM_SR1 bit 1. Once basic frame alignment is achieved, the receive framer will initiate a search for the time slot 16 multiframe alignment. During a loss of time slot 16 multiframe alignment state, the following occurs:

- The updating of the signaling data is halted.
- The received control bits forced to the binary 1 state.
- The received remote multiframe alarm indication status bit is forced to the binary 0 state.
- Optionally, the transmit framer can transmit to the line the time slot 16 signaling remote multiframe alarm if register FRM_PR41 bit 4 is set to 1.
- Optionally, the transmit framer can transmit the alarm indication signal (AIS) in the system transmit time slot 16 data if register FRM_PR44 bit 6 is set to 1.

CEPT Loss of Time Slot 16 Multiframe Alignment Recovery Algorithm

The time slot 16 multiframe alignment recovery algorithm is as described in ITU Rec. G.732 Section 5.2. The recommendation states that if a condition of assumed frame alignment has been achieved, time slot 16 multiframe alignment is deemed to have occurred when the 4-bit time slot 16 multiframe pattern of 0000 is found in time slot 16 for the first time, and the preceding time slot 16 contained at least one bit in the binary 1 state.

CEPT Time Slot 0 FAS/NOT FAS Control Bits**FAS/NOT FAS Si- and E-Bit Source**

The Si bit can be used as an 8 kbits/s data link to and from the remote end, or in the CRC-4 mode, it can be used to provide added protection against false frame alignment. The sources for the Si bits that are transmitted to the line are the following:

- CEPT with no CRC-4 and FRM_PR28 bit 0 = 1: the TSiF control bit (FRM_PR28 bit 1) is transmitted in bit 1 of all FAS frames and the TSiNF control bit (FRM_PR28 bit 2) is transmitted in bit 1 of all NOT FAS frames.
- The CHI system interface (CEPT with no CRC-4 and FRM_PR28 bit 0 = 0)*.
- This option requires the received system data (RCHI-DATA) to maintain a biframe alignment pattern where frames containing Si bit information for the NOT FAS frames have bit 2 of time slot 0 in the binary 1 state followed by frames containing Si bit information for the FAS frames that have bit 2 of time slot 0 in the binary 0 state. This ensures the proper alignment of the Si received system data to the transmit line Si data. Whenever this requirement is not met by the system, the transmit framer will enter a loss of biframe alignment condition (indication is given in the status registers) and then search for the pattern; in the loss of biframe alignment state, transmitted line data is corrupted (only when the system interface is sourcing Sa or Si data). When the transmit framer locates a new biframe alignment pattern, an indication is given in the status registers and the transmit framer resumes normal operations.

* Whenever bits (e.g., Si, Sa, etc.) are transmitted from the system transparently, FRM_PR29 must first be momentarily written to 001xxxxx (binary). Otherwise, the transmit framer will not be able to locate the biframe alignment.

CEPT Time Slot 0 FAS/NOT FAS Control Bits (continued)

- CEPT with CRC-4¹: manual transmission of E bit = 0:
 - If FRM_PR28 bit 0 = 0, then the TSiF bit (FRM_PR28 bit 1) is transmitted in bit 1 of frame 13 (E bit) and the TSiNF bit (FRM_PR28 bit 2) is transmitted in bit 1 of frame 15 (E bit).
 - If FRM_PR28 bit 0 = 1, then each time 0 is written into TSiF (FRM_PR28 bit 1) one E bit = 0 is transmitted in frame 13, and each time 0 is written into TSiNF (FRM_PR28 bit 2) one E bit = 0 is transmitted in frame 15.
- CEPT with CRC-4¹, automatic transmission of E bit = 0:
 - Optionally, one transmitted E bit is set to 0 by the transmit framer, as described in ITU Rec. G.704 Section 2.3.3.4, for each received errored CRC-4 submultiframe detected by the receive framer if FRM_PR28 bit 3 = 1.
 - Optionally, as described in ITU Rec. G.704 Section 2.3.3.4, both E bits are set to 0 while in a received loss of CRC-4 multiframe alignment state² if FRM_PR28 bit 4 = 1.
 - Optionally, when the 100 ms or 400 ms timer is enabled and the timer has expired, as described in ITU Rec. G.706 Section B.2.2, both E bits are set to 0 for the duration of the loss of CRC-4 multiframe alignment state² if FRM_PR28 bit 5 = 1.

Otherwise, the E bits are transmitted to the line in the 1 state.

NOT FAS A-Bit (CEPT Remote Frame Alarm) Sources

The A bit, as described in ITU Rec. G.704 Section 2.3.2, Table 4a/G.704, is the remote alarm indication bit. In undisturbed conditions, this bit is set to 0 and transmitted to the line. In the loss of frame alignment (LFA) state, this bit may be set to 1 and transmitted to the line as determined by register FRM_PR27. The A bit is set to 1 and transmitted to the line for the following conditions:

- Setting the transmit A bit = 1 control bit by setting register FRM_PR27 bit 7 to 1.

- Optionally for the following alarm conditions as selected through programming register FRM_PR27.
 - The duration of loss of basic frame alignment as described in ITU Rec. G.706 Section 4.1.1³, or ITU Rec. G.706 Section 4.3.2⁴ if register FRM_PR27 bit 0 = 1.
 - The duration of loss of CRC-4 multiframe alignment if register FRM_PR27 bit 2 = 1.
 - The duration of loss of signaling time slot 16 multiframe alignment if register FRM_PR27 bit 1 = 1.
 - The duration of loss of CRC-4 multiframe alignment after either the 100 ms or 400 ms timer expires if register FRM_PR27 bit 3 = 1.
 - The duration of receive Sa6_{8hex}⁵ if register FRM_PR27 bit 4 = 1.
 - The duration of receive Sa6_{Chex}⁵ if register FRM_PR27 bit 5 = 1.

NOT FAS Sa-Bit Sources⁶

The Sa bits, Sa4—Sa8, in the NOT FAS frame can be a 4 kbits/s data link to and from the remote end. The sources and value for the Sa bits are as follows:

- The Sa source register FRM_PR29 bit 0—bit 4 if FRM_PR29 bit 7—bit 5 = 000 (binary) and FRM_PR30 bit 4—bit 0 = 11111 (binary).
- The facility data link external input (TFDL) if register FRM_PR29 bit 7 = 1 and register FRM_PR21 bit 6 = 1.
- The internal FDL-HDLC if register FRM_PR29 bit 7 = 1 and register FRM_PR21 bit 6 = 0.
- The Sa transmit stack if register FRM_PR29 bit 7—bit 5 are set to 01x (binary).

1. The receive E-bit processor will halt the monitoring of received E bits during loss of CRC-4 multiframe alignment.
2. Whenever loss of frame alignment occurs, then loss of CRC-4 multiframe alignment is forced. Once frame alignment is established, then and only then, is the search for CRC-4 multiframe alignment initiated. The receive framer unit, when programmed for CRC-4, can be in a state of LFA and LTS0MFA or in a state of LTS0MFA only, but cannot be in a state of LFA only.
3. LFA is due to framing bit errors.
4. LFA is due to detecting 915 out of 1000 received CRC-4 errored blocks.
5. See Table 29. Sa6 Bit Coding Recognized by the Receive Framer, for a definition of this Sa6 pattern.
6. Whenever bits (e.g., Si, Sa, etc.) are transmitted from the system transparently, FRM_PR29 must first be momentarily written to 001xxxxx (binary). Otherwise, the transmit framer will not be able to locate the biframe alignment.

CEPT Time Slot 0 FAS/NOT FAS Control Bits (continued)

- The CHI system interface if register FRM_PR29 bit 7—bit 5 are set to 001 (binary). This option requires the received system data (RCHIDATA) to maintain a biframe alignment pattern where (1) frames containing Sa bit information have bit 2 of time slot 0 in the binary 1 state and (2) these NOT FAS frames are followed by frames not containing Sa bit information, the FAS frames, which have bit 2 of time slot 0 in the binary 0 state. This ensures the proper alignment of the Sa received system data to the transmit line Sa data. Whenever this requirement is not met by the system, the transmit framer will enter a loss of biframe alignment condition indicated in the status register, FRM_SR1 bit 4, and then search for the pattern. In the loss of biframe alignment state, transmitted line data is corrupted (only when the system interface is sourcing Sa or Si data). When the transmit framer locates a new biframe alignment pattern, an indication is given in the status registers and the transmit framer resumes normal operations.

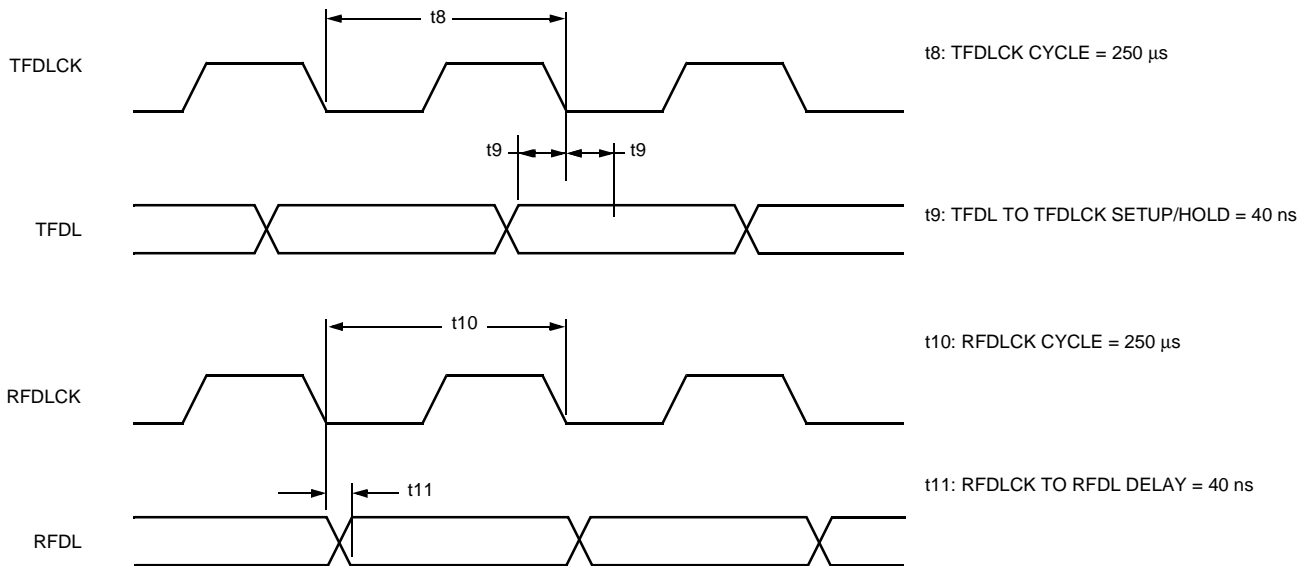
The receive Sa data is present at the following:

- The Sa received stack, registers FRM_SR54—FRM_SR63, if the TFRA08C13 is programmed in the Sa stack mode.
- The system transmit interface.

The status of the received Sa bits and the received Sa stack is available in status register FRM_SR4. The transmit and receive Sa bit for the FDL can be selected by setting register FRM_PR43 bit 0—bit 2 as shown in Table 148.

Sa Facility Data Link Access

The data link interface may be used to source one of the Sa bits. Access is controlled by registers FRM_PR29, FRM_PR30, and FRM_PR43, see NOT FAS Sa-Bit Sources on page 57. The receive Sa data is always present at the receive facility data link output pin, RFDL, along with a valid clock signal at the receive facility clock output pin, RFDLCK. During a loss of frame alignment (LFA) state, the RFDL signal is forced to a 1 state while RFDLCK continues to toggle on the previous frame alignment. When basic frame alignment is found, RFDL is as received from the selected receive Sa bit position and RFDLCK is forced (if necessary) to the new alignment. The data rate for this access mode is 4 kHz. The access timing for the transmit and receive facility data is illustrated in Figure 15 below. During loss of receive clock (LOFRMRLCK), RFDL and RFDLCK are frozen in a state at the point of the LOFRMRLCK being asserted.



5-3910(F).dr.1

Figure 15. Facility Data Link Access Timing of the Transmit and Receive Framer Sections in the CEPT Mode

CEPT Time Slot 0 FAS/NOT FAS Control Bits (continued)

NOT FAS Sa Stack Source and Destination

The transmit Sa4 to Sa8 bits may be sourced from the transmit Sa stack, registers FRM_PR31—FRM_PR40. The Sa stack consists of ten 8-bit registers that contain 16 NOT FAS frames of Sa information as shown in Table 22. The transmit stack data may be transmitted either in non-CRC-4 mode or in CRC-4 mode to the line.

The receive stack data, registers FRM_SR54—FRM_SR63, is valid in both the non-CRC-4 mode and the CRC-4 mode. In the non-CRC-4 mode while in the loss of frame alignment (LFA) state, updating of the receive Sa stack is halted and the transmit and receive stack interrupts are deactivated. In the CRC-4 mode while in the loss of time slot 0 multiframe alignment (LTS0MFA) state, updating of the receive Sa stack is halted and the transmit and receive stack interrupts are deactivated.

Table 22. Transmit and Receive Sa Stack Structure

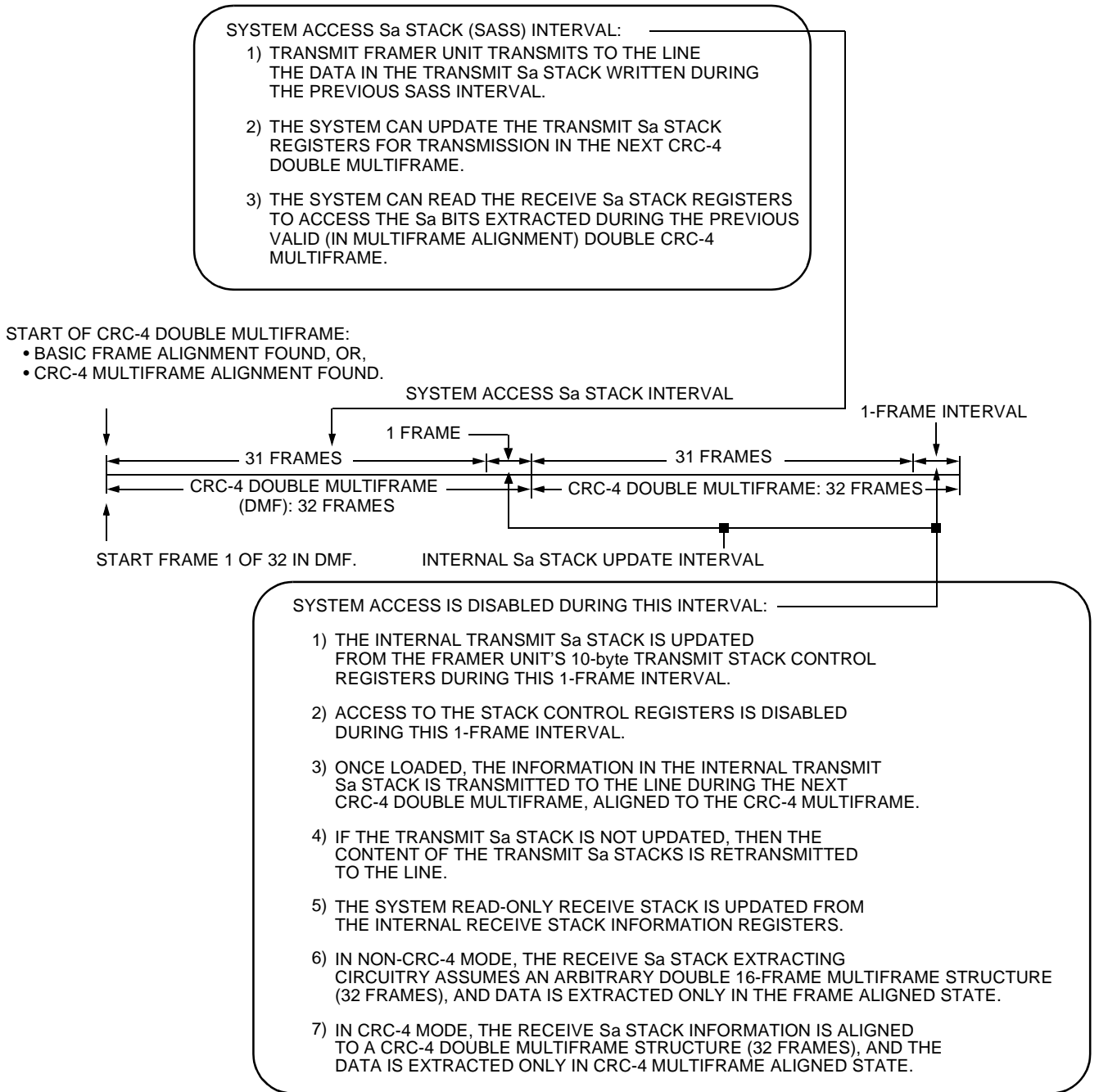
Register Number	Bit 7 (MSB)	Bit 6	Bit 5	Bit 4	Bit 3	Bit 2	Bit 1 +	Bit 0 (LSB)
1	Sa4-1	Sa4-3	Sa4-5	Sa4-7	Sa4-9	Sa4-11	Sa4-13	Sa4-15
2	Sa4-17	Sa4-19	Sa4-21	Sa4-23	Sa4-25	Sa4-27	Sa4-29	Sa4-31
3	Sa5-1	Sa5-3	Sa5-5	Sa5-7	Sa5-9	Sa5-11	Sa5-13	Sa5-15
4	Sa5-17	Sa5-19	Sa5-21	Sa5-23	Sa5-25	Sa5-27	Sa5-29	Sa5-31
5	Sa6-1	Sa6-3	Sa6-5	Sa6-7	Sa6-9	Sa6-11	Sa6-13	Sa6-15
6	Sa6-17	Sa6-19	Sa6-21	Sa6-23	Sa6-25	Sa6-27	Sa6-29	Sa6-31
7	Sa7-1	Sa7-3	Sa7-5	Sa7-7	Sa7-9	Sa7-11	Sa7-13	Sa7-15
8	Sa7-17	Sa7-19	Sa7-21	Sa7-23	Sa7-25	Sa7-27	Sa7-29	Sa7-31
9	Sa8-1	Sa8-3	Sa8-5	Sa8-7	Sa8-9	Sa8-11	Sa8-13	Sa8-15
10	Sa8-17	Sa8-19	Sa8-21	Sa8-23	Sa8-25	Sa8-27	Sa8-29	Sa8-31

The most significant bit of the first byte is transmitted to the line in frame 1 of a double CRC-4 multiframe. The least significant bit of the second byte is transmitted to the line in frame 31 of the double CRC-4 multiframe. The protocol for accessing the Sa Stack information for the transmit and receive Sa4 to Sa8 bits is shown in Figure 16 and described briefly below.

The device indicates that it is ready for an update of its transmit stack by setting register FRM_SR4 bit 7 (CEPT transmit Sa stack ready) high. At this time, the system has about 4 ms to update the stack. Data written to the stack during this interval will be transmitted during the next double CRC-4 multiframe. By reading register FRM_SR4 bit 7, the system clears this bit so that it can indicate the next time the transmit stack is ready. If the transmit stack is not updated, then the content of the stack is retransmitted to the line. The 32-frame interval of the transmit framer in the non-CRC-4 mode is arbitrary. Enabling transmit CRC-4 mode forces the updating of the internal transmit stack at the end of the 32-frame CRC-4 double multiframe; the transmit Sa stack is then transmitted synchronous to the transmit CRC-4 multiframe structure.

On the receive side, the TFRA08C13 indicates that it has received data in the receive Sa stack, register FRM_SR54—FRM_SR63, by setting register FRM_SR4 bit 6 (CEPT receive Sa stack ready) high. The system then has about 4 ms to read the contents of the stack before it is updated again (old data lost). By reading register FRM_SR4 bit 6, the system clears this bit so that it can indicate the next time the receive stack is ready. The receive framer always updates the content of the receive stack so unread data will be overwritten. The last 16 valid Sa4 to Sa8 bits are always stored in the receive Sa stack on a double-multiframe boundary. The 32-frame interval of the receive framer in the non-CRC-4 mode is arbitrary. Enabling the receive CRC-4 mode forces updating of the receive Sa stack at the end of the 32-frame CRC-4 double multiframe. The receive Sa stack is received synchronous to the CRC-4 multiframe structure.

CEPT Time Slot 0 FAS/NOT FAS Control Bits (continued)



5-3911(F).c

Figure 16. Transmit and Receive Sa Stack Accessing Protocol

CEPT Time Slot 0 FAS/NOT FAS Control Bits (continued)

Interrupts indicating that the transmit Sa stack or the receive Sa stack are ready for system access are available, see register FRM_SR4 bit 6 and bit 7.

CEPT Time Slot 16 X0—X2 Control Bits

Each of the three X bits in frame 0 of the time slot 16 multiframe can be used as a 0.5 kbits/s data link to and from the remote end. The transmitted line X bits are sourced from control register FRM_PR41 bit 0—bit 2. In the loss of TS16 multiframe alignment (LTS16MFA) state, receive X bits are set to 1 in status register FRM_SR53.

Signaling Access

Signaling information can be accessed by three different methods: transparently through the CHI, via the control registers, or via the CHI associated signaling mode.

Transparent Signaling

This mode is enabled by setting register FRM_PR44 bit 0 to 1.

Data at the received RCHIDATA interface passes through the framer undisturbed. The framer generates an arbitrary signaling multiframe in the transmit and receive directions to facilitate the access of signaling information at the system interface.

DS1: Robbed-Bit Signaling

Microprocessor Control Registers

To enable signaling, register FRM_PR44 bit 0 must be set to 0 (default).

The information written into the F and G bits of the transmit signaling registers, FRM_TSR0—FRM_TSR23, define the robbed-bit signaling mode for each channel for both the transmit and receive directions. The per-channel programming allows the system to combine voice channels with data channels within the same frame.

The receive-channel robbed-bit signaling mode is always defined by the state of the F and G bits in the corresponding transmit signaling registers for that channel. The received signaling data is stored in the receive signaling registers, FRM_RSR0—FRM_RSR23, while receive framer is in both the frame and superframe alignment states. Updating the receive signaling registers can be inhibited on-demand, by setting register FRM_PR44 bit 3 to 1, or automatically when either a framing error event, a loss of frame, or superframe alignment state is detected or a controlled slip event occurs. The signaling inhibit state is valid for at least 32 frames after any one of the following: a framing errored event, a loss of frame and/or superframe alignment state, or a controlled slip event.

In the common channel signaling mode, data written in the transmit signaling registers is transmitted in channel 24 of the transmit line bit stream. The F and G bits are ignored in this mode. The received signaling data from channel 24 is stored in receive signaling registers FRM_RSR0—FRM_RSR23 for T1.

Associated Signaling Mode

This mode is enabled by setting register FRM_PR44 bit 2 to 1.

Signaling information in the associated signaling mode (ASM) is allocated an 8-bit system time slot in conjunction with the payload data information for a particular channel. The default system data rate in the ASM mode is 4.096 Mbits/s. Each system channel consists of an 8-bit payload time slot followed by its corresponding 8-bit signaling time slot. The format of the signaling byte is identical to that of the signaling registers.

In the ASM mode, writing the transmit signaling registers will corrupt the transmit signaling data. In the transmit signaling register ASM (TSR-ASM) format, enabled by setting register FRM_PR44 bit 2 and bit 5 to 1, the system must write into the F and G bit* of the transmit signaling registers to program the robbed-bit signaling state mode of each DS0. The ABCD bits are sourced from the RCHI ports when TSR-ASM mode is enabled.

* All other bits in the signaling registers are ignored, while the F and G bits in the received RCHIDATA stream are ignored.

Signaling Access (continued)

Table 23 illustrates the ASM time-slot format for valid channels.

Table 23. Associated Signaling Mode CHI 2-Byte Time-Slot Format for DS1 Frames

DS1: ASM CHI Time Slot															
PAYLOAD DATA								SIGNALING INFORMATION*							
1	2	3	4	5	6	7	8	A	B	C	D	X	F	G	P†

* X indicates bits that are undefined by the framer.

† The identical sense of the received system P bit in the transmitted signaling data is echoed back to the system in the received signaling information.

The DS1 framing formats require rate adaptation from the line-interface 1.544 Mbits/s bit stream to the system-interface 4.096 Mbits/s bit stream. The rate adaptation results in the need for stuffed time slots on the system interface. Table 24 illustrates the ASM format for T1 stuffed channels used by the TFRA08C13. The stuffed data byte contains the programmable idle code in register FRM_PR23 (default = 7F (hex)), while the signaling byte is ignored.

Table 24. Associated Signaling Mode CHI 2-Byte Time-Slot Format for Stuffed Channels

ASM CHI Time Slot															
PAYLOAD DATA								SIGNALING INFORMATION*							
0	1	1	1	1	1	1	1	X	X	X	X	X	X	X	X

* X indicates bits which are undefined by the framer.

CEPT: Time Slot 16 Signaling

Microprocessor Control Registers

To enable signaling, register FRM_PR44 bit 0 must be set to 0 (default).

The information written into transmit signaling control registers FRM_TSR0—FRM_TSR31 define the state of the ABCD bits of time slot 16 transmitted to the line.

The received signaling data from time slot 16 is stored in receive signaling registers FRM_RSR0—FRM_RSR31.

Associated Signaling Mode

Signaling information in the associated signaling mode (ASM), register FRM_PR44 bit 2 = 1, is allocated an 8-bit system time slot in conjunction with the data information for a particular channel. The default system data rate in the ASM mode is 4.096 Mbits/s. Each system channel consists of an 8-bit payload time slot followed by its associated 8-bit signaling time slot. The format of the signaling byte is identical to the signaling registers.

Table 25 illustrates the ASM time-slot format for valid CEPT E1 time slots

Table 25. Associated Signaling Mode CHI 2-Byte Time-Slot Format for CEPT

CEPT ASM CHI Time Slot															
PAYLOAD DATA								SIGNALING INFORMATION							
1	2	3	4	5	6	7	8	A	B	C	D	E	X*	X*	P†

* In the CEPT formats, these bits are undefined.

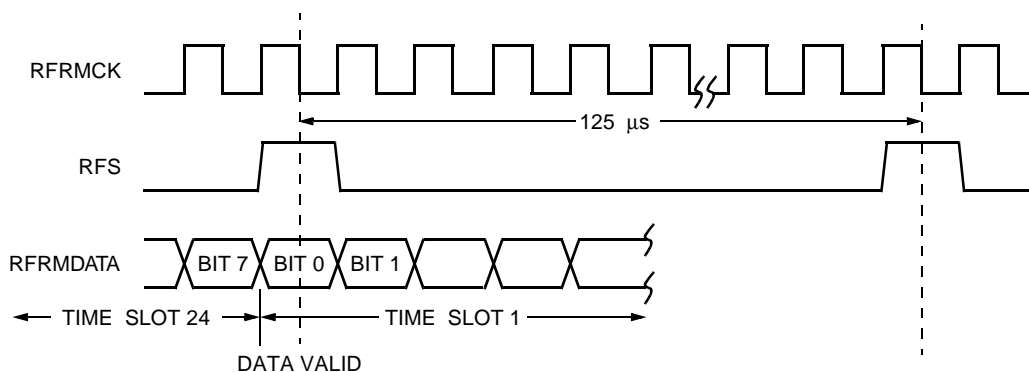
† The P bit is the parity-sense bit calculated over the 8 data bits, the ABCD (and E) bits, and the P bit. The identical sense of the received system P bit in the transmitted signaling data is echoed back to the system in the received signaling information.

Auxiliary Framer I/O Timing

Transmit and receive timing and data signals are provided by terminals RFRMCK (receive framer clock), RFRM-DATA (receive framer data), RFS (receive frame sync), RSSFS (receive framer signaling superframe sync), RCRC-MFS (receive frame CRC-4 multiframe sync), TFS (transmit framer frame sync), TSSFS (transmit framer signaling superframe sync), TCRCMFS (transmit framer CRC-4 multiframe sync).

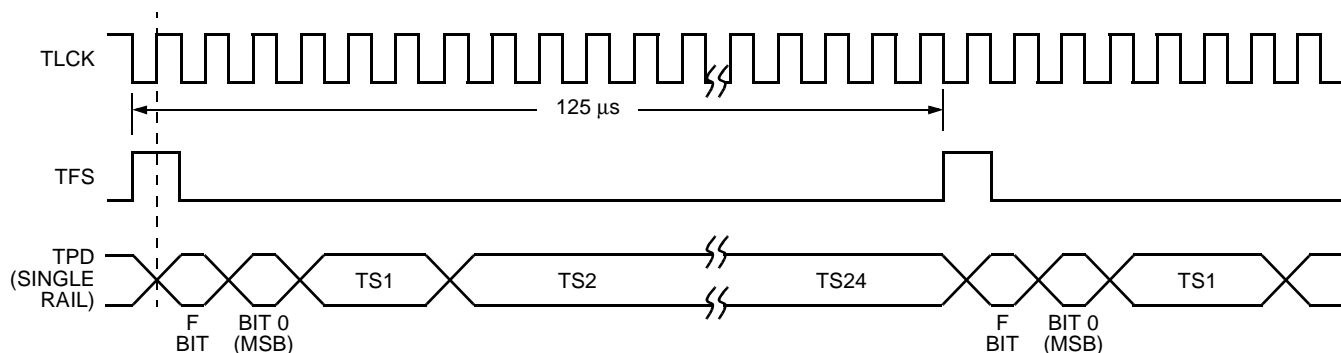
The receive signals are synchronized to the recovered receive line clock, RLCK, and the transmit signals are synchronized to the transmit line clock, TLCK. Note that TLCK must be phase locked to the CHI clock, CHICK, see Table 2. Pin Descriptions, pin D18.

Detailed timing specifications for these signals are given in Figure 17—Figure 24.



5-6290(F)r.6

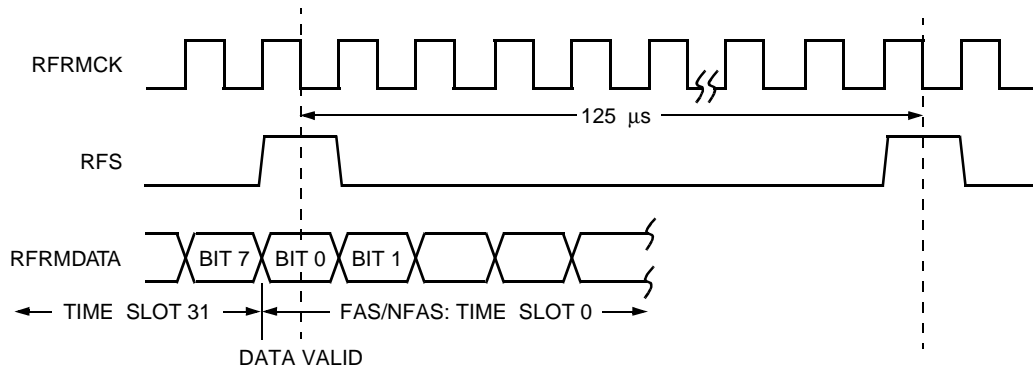
Figure 17. Timing Specification for RFRMCK, RFRMDATA, and RFS in DS1 Mode



5-6292(F)r.7

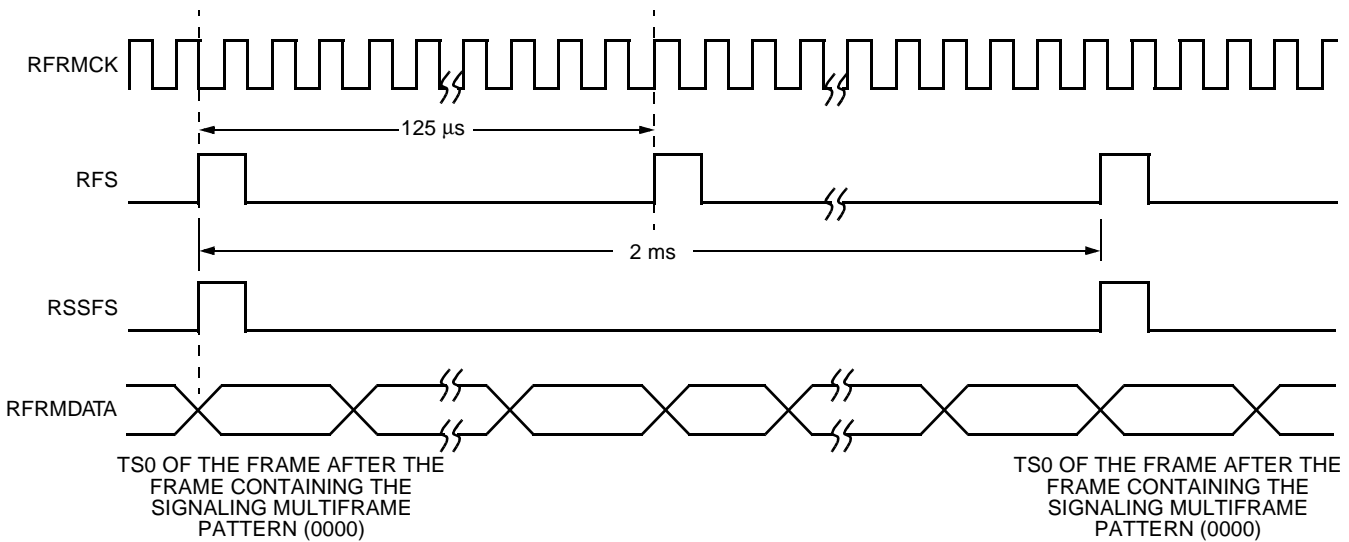
Figure 18. Timing Specification for TFS, TLCK, and TPD in DS1 Mode

Auxiliary Framer I/O Timing (continued)



5-6294(F)r.6

Figure 19. Timing Specification for RFRMCK, RFRMCK, and RFRMCK in CEPT Mode



5-6295(F)r.8

Figure 20. Timing Specification for RFRMCK, RFRMCK, RFS, and RSSFS in CEPT Mode

Auxiliary Framer I/O Timing (continued)

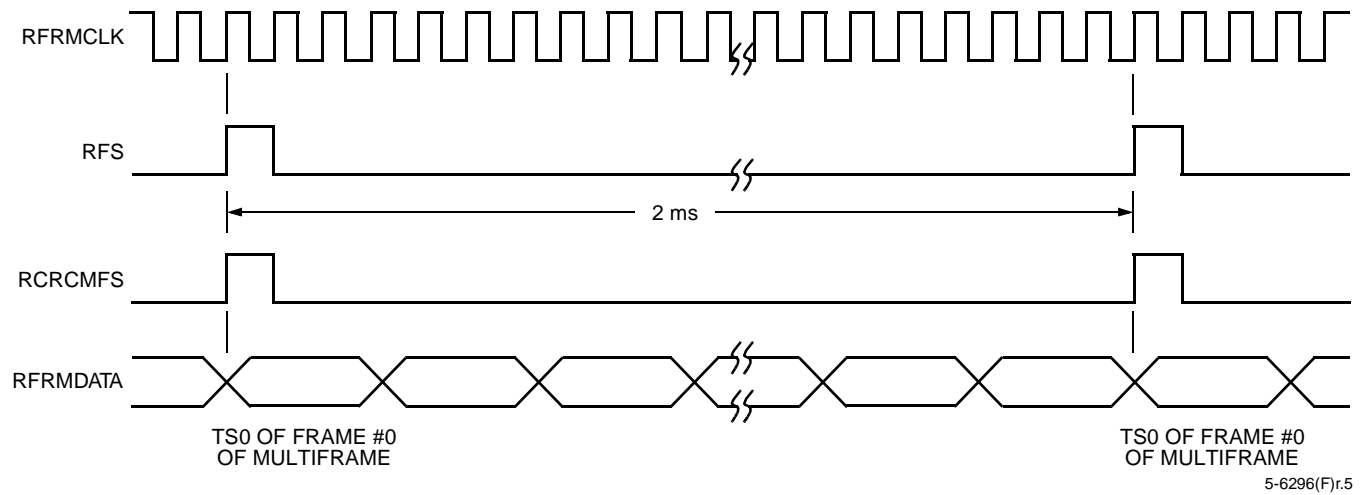


Figure 21. Timing Specification for RCRCMFS in CEPT Mode

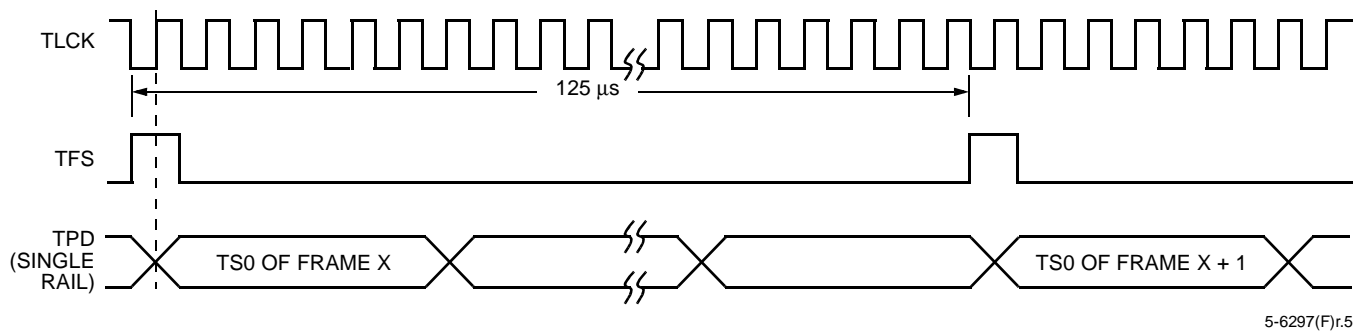
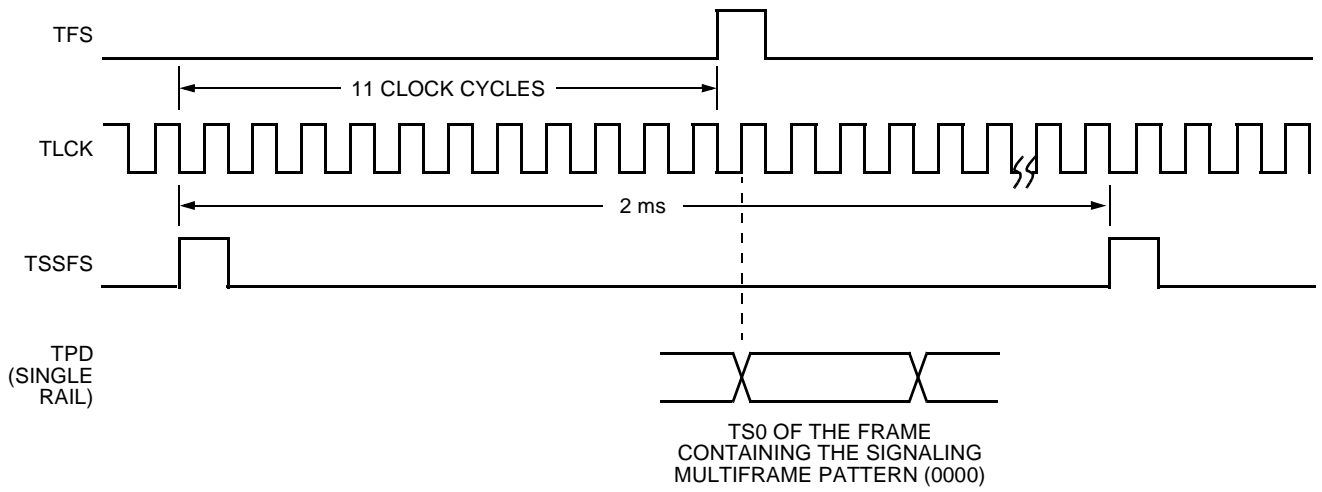


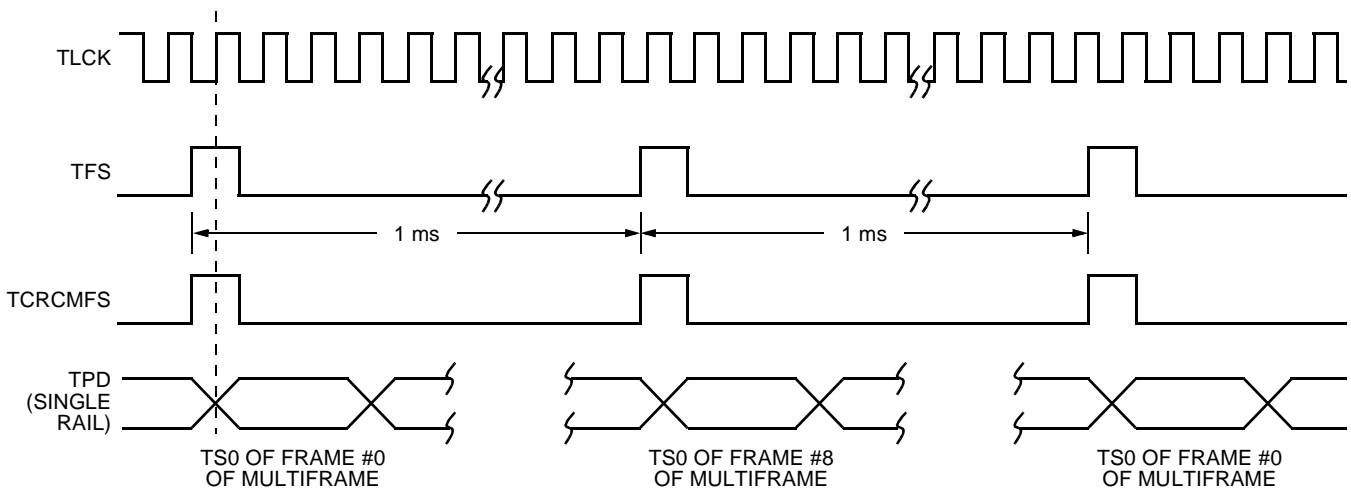
Figure 22. Timing Specification for TFS, TLCK, and TPD in CEPT Mode

Auxiliary Framer I/O Timing (continued)



5-6298(F)r.5

Figure 23. Timing Specification for TFS, TLCK, TPD, and TSSFS in CEPT Mode



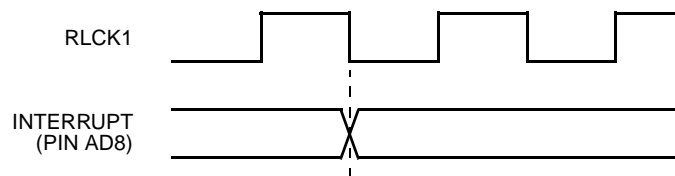
5-6299(F)r.5

Figure 24. Timing Specification for TFS, TLCK, TPD, and TCRMFMS in CEPT Mode

Alarms and Performance Monitoring

Interrupt Generation

A global interrupt (pin AD8) may be generated if enabled by register GREG1. This interrupt is clocked using channel 1 framer receive line clock (RLCK1). If RLCK1 is absent, the interrupt is clocked using RLCK2, the receive line clock of channel 2. If both RLCK1 and RLCK2 are absent, clocking of interrupts is controlled by an interval 2.048 MHz clock generated from the CHI clock. Timing of the interrupt is shown in Figure 25. There is no relation between MPCK (pin AE10) and the interrupt, i.e., MPCK maybe asynchronous with any of the other TFRA08C13 clocks.



5-6563(F).ar.1

Figure 25. Relation Between RLCK1 and Interrupt (Pin AD8)

Alarm Definition

The receive framer monitors the receive line data for alarm conditions and errored events, and then presents this information to the system through the microprocessor interface status registers. The transmit framer, to a lesser degree, monitors the receive system data and presents the information to the system through the microprocessor interface status registers. Updating of the status registers is controlled by the receive line clock signal. When the receive loss of clock monitor determines that the receive line clock signal is lost, the system clock is used to clock the status registers and all status information should be considered corrupted.

Although the precise method of detecting or generating alarm and error signals differs between framing modes, the functions are essentially the same. The alarm conditions monitored on the received line interface are:

- **Red alarm** or the **loss of frame alignment** indication (FRM_SR1 bit 0). The red alarm indicates that the receive frame alignment for the line has been lost and the data cannot be properly extracted. The red alarm is indicated by the loss of frame condition for the various framing formats as defined in Table 26.

Alarms and Performance Monitoring (continued)**Table 26. Red Alarm or Loss of Frame Alignment Conditions**

Framing Format	Number of Errored Framing Bits That Will Cause a Red Alarm (Loss of Frame Alignment) Condition
D4	2 errored frame bits (F _T or F _S) out of 4 consecutive frame bits if FRM_PR10 bit 2 = 1. 2 errored F _T bits out of 4 consecutive F _T bits if PRM_PR10 bit 2 = 0.
SLC-96	2 errored frame bits (F _T or F _S) out of 4 consecutive frame bits if FRM_PR10 bit 2 = 1. 2 errored F _T bits out of 4 consecutive F _T bits if FRM_PR10 bit 2 = 0.
DDS: Frame	3 errored frame bits (F _T or F _S) or channel 24 FAS pattern out of 12 consecutive frame bits.
ESF	2 errored F _E bits out of 4 consecutive F _E bits or, optionally, 320 or more CRC6 errored checksums within a one second interval if loss of frame alignment due to excessive CRC-6 errors is enabled in FRM_PR9.
CEPT	Three consecutive incorrect FAS patterns or three consecutive incorrect NOT FAS patterns; or optionally, greater than 914 received CRC-4 checksum errors in a one second interval if loss of frame alignment due to excessive CRC-6 errors is enabled in FRM_PR9.

- **Yellow alarm** or the **remote frame alarm** (FRM_SR1 bit 0). This alarm is an indication that the line remote end is in a loss of frame alignment state. Indication of remote frame alarm (commonly referred to as a yellow alarm) as for the different framing formats is shown in Table 27.

Table 27. Remote Frame Alarm Conditions

Framing Format	Remote Frame Alarm Format
Superframe: D4	Bit 2 of all time slots in the 0 state.
Superframe: D4-Japanese	The twelfth (12th) framing bit in the 1 state in two out of three consecutive superframes.
Superframe: DDS	Bit 6 of time slot 24 in the 0 state.
Extended Superframe (ESF)	An alternating pattern of eight ones followed by eight 0s in the ESF data link.
CEPT: Basic Frame	Bit 3 of the NOT FAS frame in the 1 state in three consecutive frames.
CEPT: Signaling Multiframe	Bit 6 of the time slot 16 signaling frame in the 1 state.

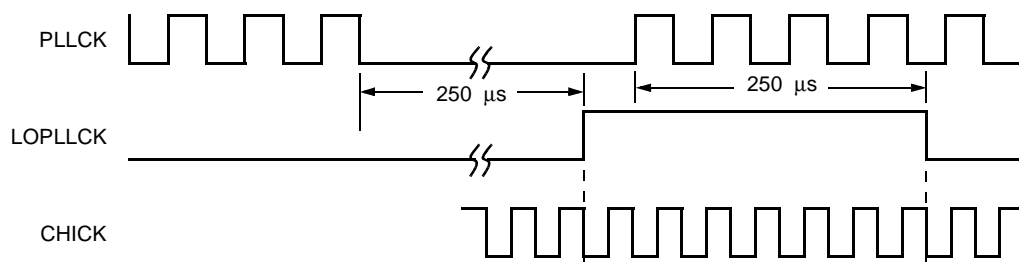
- **Blue alarm** or the **alarm indication signal** (AIS). The alarm indication signal (AIS), sometimes referred to as the blue alarm, is an indication that the remote end is out-of-service. Detection of an incoming alarm indication signal is defined in Table 29.

Alarms and Performance Monitoring (continued)

Table 28. Alarm Indication Signal Conditions

Framing Format	Remote Frame Alarm Format
T1	Loss of frame alignment occurs and the incoming signal has two or fewer zeros in each of two consecutive double frame periods (386 bits).
CEPT ETSI	As described in ETSI ETS 300 233: May 1994, Section 8.2.2.4, loss of frame alignment occurs and the framer receives a 512 bit period containing two or less binary zeros. This is enabled by setting register FRM_PR10 bit 1 to 0.
CEPT ITU	As described in ITU Rec. G.775, the incoming signal has two or fewer zeros in each of two consecutive double frame periods (512 bits). AIS is cleared if each of two consecutive double frame periods contains three or more zeros or frame alignment signal (FAS) has been found. This is enabled by setting register FRM_PR10 bit 1 to 1.

- The **SLIP** condition (FRM_SR3 bit 6 and bit 7). SLIP is defined as the state in which the receive elastic store buffer's write address pointer from the receive framer and the read address pointer from the transmit concentration highway interface are equal*.
 - The negative slip (Slip-N) alarm indicates that the receive line clock (RLCK) - transmit CHI clock (CHICK) monitoring circuit detects a state of overflow caused by RLCK and CHICK being out of phase-lock and the period of the received frame being less than that of the system frame. One system frame is deleted.
 - The positive slip (Slip-P) alarm indicates the line clock (RLCK) - transmit CHI clock (CHICK) monitoring circuit detects a state of underflow caused by RLCK and CHICK being out of phase-lock and the period of the received frame being greater than that of the system frame. One system frame is repeated.
- The **loss of framer receive clock** (LORLCK, pin G23). The LORLCK alarm is asserted high when an interval of 250 ms has expired with no transition of RLCK (pin see Table 2. Pin Descriptions) detected. The alarm is disabled on the first transition of RLCK. Bit 0—bit 2 of global register 8 (GREG8) determine which framer sources the LORLCK pin (see Table 69 Interrupt Status Register (FRM_SR0) (Y00)).
- The **loss of PLL clock** (LOPLLCK, pin F25). LOPLLCK alarm is asserted high when an interval of 250 ms has expired with no transition of PLLCK (pin see Table 2. Pin Descriptions) detected. The alarm is disabled 250 μs after the first transition of PLLCK. Timing for LOPLLCK is shown in Figure 26. Bit 0—bit 2 of global register 8 (GREG8) determine which framer sources the LOPLLCK pin (see Table 69).



5-6564(F).a

Figure 26. Timing for Generation of LOPLLCK (Pin F25)

* After a reset, the read and write pointers of the receive path elastic store will be set to a known state.

Alarms and Performance Monitoring

(continued)

- Received **bipolar violation errors** alarm, FRM_SR3 bit 0. This alarm indicates any bipolar decoding error or detection of excessive zeros.
- Received **excessive CRC errors** alarm, FRM_SR3 bit 3. In ESF, this alarm is asserted when 320 or more CRC-6 checksum errors are detected within a one second interval. In CEPT, this alarm is asserted when 915 or more CRC-4 checksum errors are detected within a one second interval.
- The CEPT **continuous E-bit** alarm (CREBIT) (FRM_SR2 bit 2). CREBIT is asserted when the receive framer detects the following:
 - Five consecutive seconds where each 1 s interval contains ≥ 991 received E bits = 0 events.
 - Simultaneously no LFA occurred.
 - Optionally, no remote frame alarm (A bit = 1) was detected if register FRM_PR9 bit 0, bit 4, and bit 5 are set to 1.
 - Optionally, neither Sa6-F_{hex} nor Sa6-E_{hex} codes were detected if register FRM_PR9 bit 0, bit 4, and bit 6 are set to 1.

The 5 s timer is started when the following occurs:

 - CRC-4 multiframe alignment is achieved.
 - And optionally, A = 0 is detected if register FRM_PR9 bit 0, bit 4, and bit 5 are set to 1.
 - And optionally, neither Sa6-F_{hex}* nor Sa6-E_{hex}* is detected if register FRM_PR9 bit 0, bit 4, and bit 6 are set to 1.

The 5 s counter is restarted when the following occurs:

 - LFA occurs, or
 - ≥ 990 E bit = 0 events occur in 1 s, or
 - Optionally, an A bit = 1 is detected if register FRM_PR9 bit 0, bit 4, and bit 5 are set to 1.
 - Optionally, a valid Sa6 pattern 1111 (binary) or Sa6 pattern 1110 (binary) code was detected if register FRM_PR9 bit 0, bit 4, and bit 6 are set to 1.

This alarm is disabled during loss of frame alignment (LFA) or loss of CRC-4 multiframe alignment (LTSOMFA).

- **Failed state** alarm or the **unavailable state** alarm, FRM_SR5 bit 3 and bit 7 and FRM_SR6 bit 3 and bit 7. This alarm is defined as the unavailable state at the onset of ten consecutive severely errored seconds. In this state, the receive framer inhibits incrementing of the severely errored and errored second counters for the duration of the unavailable state. The receive framer deasserts the unavailable state condition at the onset of ten consecutive errored seconds which were not severely errored.
- The **4-bit Sa6 codes** (FRM_SR2 bit 3—bit 7). Sa6 codes are asserted if three consecutive 4-bit patterns have been detected. The alarms are disabled when three consecutive 4-bit Sa6 codes have been detected that are different from the pattern previously detected. The receive framer monitors the Sa6 bits for special codes described in ETSI ETS 300 233: May 1994, Section 9.2. The Sa6 codes are defined in Table 29 and Table 30. The Sa6 codes in Table 29 may be recognized as an asynchronous bit stream in either non-CRC-4 or CRC-4 modes as long as the receive framer is in the basic frame alignment state. In the CRC-4 mode, the receive framer can optionally recognize the received Sa6 codes in Table 29 synchronously to the CRC-4 submultiframe structure as long as the receive framer is in the CRC-4 multiframe alignment state (synchronous Sa6 monitoring can be enabled by setting register FRM_PR10 bit 1 to 1). The Sa6 codes in Table 30 are only recognized synchronously to the CRC-4 submultiframe and when the receive framer is in CRC-4 multiframe alignment. The detection of three (3) consecutive 4-bit patterns are required to indicate a valid received Sa6 code. The detection of Sa6 codes is indicated in status register FRM_SR2 bit 3—bit 7. Once set, any three-nibble (12-bit) interval that contains any other Sa6 code will clear the current Sa6 status bit. Interrupts may be generated by the Sa6 codes given in Table 29

* See Table 29, for the definition of this Sa6 pattern.

Alarms and Performance Monitoring (continued)

Table 29. Sa6 Bit Coding Recognized by the Receive Framer

Code	First Receive Bit (MSB)			Last Received Bit (LSB)
Sa6_8hex	1	0	0	0
Sa6_Ahex	1	0	1	0
Sa6_Chex	1	1	0	0
Sa6_Ehex	1	1	1	0
Sa6_Fhex	1	1	1	1

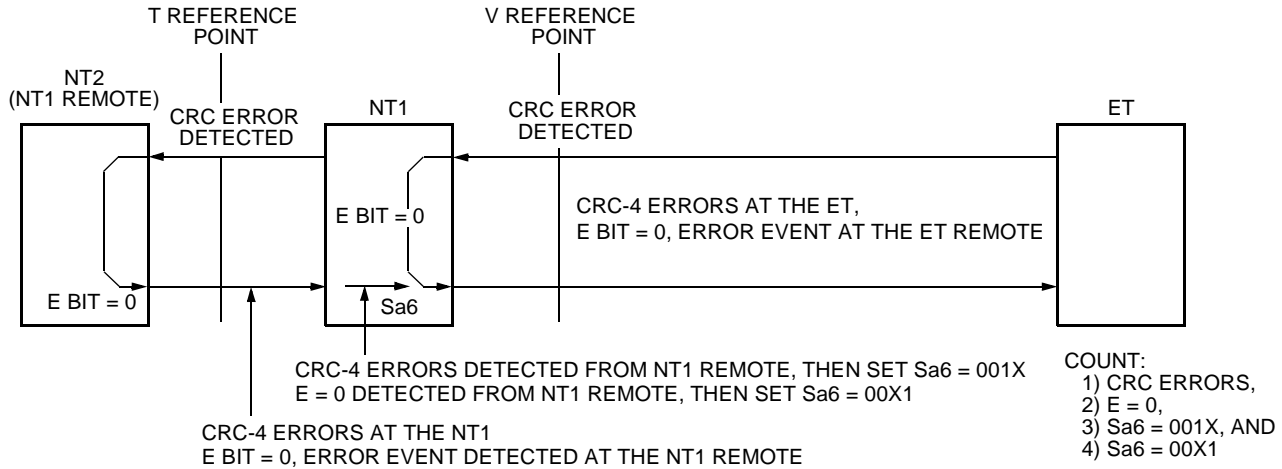
Table 30 defines the three 4-bit Sa6 codes that are always detected synchronously to the CRC-4 submultiframe structure, and are only used for counting NT1 events.

Table 30. Sa6 Bit Coding of NT1 Interface Events Recognized by the Receive Framer

Code	First Receive Bit (MSB)			Last Received Bit (LSB)	Event at NT1	Counter Size (bits)
Sa6_1hex	0	0	0	1	E = 0	16
Sa6_2hex	0	0	1	0	CRC-4 Error	16
Sa6_3hex	0	0	1	1	CRC-4 Error & E = 0 This code will cause both counters to increment.	—

The reference points for receive CRC-4, E-bit, and Sa6 decoding are illustrated in Figure 27

Alarms and Performance Monitoring (continued)



5-3913(F)r.8

Figure 27. The T and V Reference Points for a Typical CEPT E1 Application

- **CEPT auxiliary pattern alarm (AUXP) (FRM_SR1 bit 6).** The received auxiliary alarm, register FRM_SR1 bit 6 (AUXP), is asserted when the receive framer is in the LFA state and has detected more than 253 10 (binary) patterns for 512 consecutive bits. In a 512-bit interval, only two 10 (binary) patterns are allowable for the alarm to be asserted and maintained. The 512-bit interval is a sliding window determined by the first 10 (binary) pattern detected. This alarm is disabled when three or more 10 (binary) patterns are detected in 512 consecutive bits. The search for AUXP is synchronized with the first alternating 10 (binary) pattern as shown in Table 31.

Table 31. AUXP Synchronization and Clear Synchronization Process

00	10	10	01	11	11	00	00	0	10	00	10
—	sync	—	—	—	clear sync	—	—	—	sync

Alarms and Performance Monitoring (continued)

Event Counters Definition

The error events monitored in the receive framer's status registers are defined in Table 32 for the hardwired (default) threshold values. The errored second and severely errored second threshold registers can be programmed through FRM_PR11—FRM_PR13 such that the errored and severely errored second counters function as required by system needs. DS1 errors are reported in the ET Error registers, FRM_SR20 through FRM_SR35. For the framer to correctly report coding and BPV errors, the LIU/Framer interface must be configured as dual rail mode.

Table 32. Event Counters Definition

Error Event	Functional Mode	Definition	Counter Size (bits)
Bipolar Violations (BPVs)	AMI	Any bipolar violation or 16 or more consecutive zeros	16
	B8ZS	Any BPV, code violation, or any 8-bit interval with no one pulse	
	CEPT HDB3	Any BPV, code violation, or any 4-bit interval with no one pulse	
Frame Alignment Errors (FERs)	SF: D4	Any FT or Fs bit errors (FRM_PR10 bit 2 = 1) or any FT bit errors (FRM_PR10 bit 2 = 0)	16
	SF: SLC-96	Any FT or Fs bit errors (FRM_PR10 bit 2 = 1) or any FT bit errors (FRM_PR10 bit 2 = 0)	
	SF: DDS	Any FT, Fs, or time slot 24 FAS bit error	
	ESF	Any FE bit error	
	CEPT	Any FAS (0011011) or NOT FAS (bit 2) bit error if register FRM_PR10, bit 2 = 0. Any FAS (0011011) bit error if register FRM_PR10, bit 2 = 1.	
CRC Checksum Errors	ESF or CEPT with CRC	Any received checksum in error	16
Excessive CRC Errors	ESF	≥320 checksum errors in a one second interval	NONE
	CEPT with CRC	≥915 checksum errors in a one second interval	
Received E bits = 0	CEPT with CRC-4	E bits = 0 in frame 13 and frame 15	16
Errored Second Events	All	Any one of the relevant error conditions enabled in registers FRM_PR14—FRM_PR18 within a one second interval	16
	DS1: non-ESF	Any framing bit errors within a one second interval	
	DS1: ESF	Any CRC-6 errors within a one second interval	
	CEPT without CRC-4	Any framing errors within a one second interval	
	CEPT with CRC-4 (ET1)	Any CRC-4 errors within a one second interval	
	CEPT with CRC-4 (ET1 remote)	Any E bit = 0 event within a one second interval	
	CEPT with CRC-4 (NT1)	Any Sa6 = 001x (binary) code event within a one second interval	
	CEPT with CRC-4 (NT1 remote)	Any Sa6 = 00x1 (binary) code event within a one second interval	

Alarms and Performance Monitoring (continued)

Table 32. Event Counters Definition (continued)

Error Event	Functional Mode	Definition	Counter Size (bits)
Bursty Errored Second Events	DS1: non-ESF	Greater than 1 but less than 8 framing bit errors within a one second interval	16
	DS1: ESF	Greater than 1 but less than 320 CRC-6 errors within a one second interval	
	CEPT without CRC-4	Greater than 1 but less than 16 framing bit errors within a one second interval	
	CEPT with CRC-4 (ET1)	Greater than 1 but less than 915 CRC-4 errors within a one second interval	
	CEPT with CRC-4 (ET1 remote)	Greater than 1 but less than 915 E bit = 0 events within a one second interval	
	CEPT with CRC-4 (NT1)	Greater than 1 but less than 915 Sa6=001x (binary) code events within a one second interval	
	CEPT with CRC-4 (NT1 remote)	Greater than 1 but less than 915 Sa6=00x1 (binary) code events within a one second interval	
Severely Errored Second Events	All	Any one of the relevant error conditions enabled in registers FRM_PR14—FRM_PR18 within a one second interval	16
	DS1: non-ESF	8 or more framing bit errors within a one second interval	
	DS1: ESF	320 or more CRC-6 errors within a one second interval	
	CEPT with no CRC-4	16 or more framing bit errors within a one second interval	
	CEPT with CRC-4 (ET1)	915 or more CRC-4 errors within a one second interval	
	CEPT with CRC-4 (ET1 remote)	915 or more E bit = 0 events within a one second interval	
	CEPT with CRC-4 (NT1)	915 or more Sa6=001x (binary) code events within a one second interval	
	CEPT with CRC-4 (NT1 remote)	915 or more Sa6=00x1 (binary) code events within a one second interval	
Unavailable Second Events	All	A one second period in the unavailable state	16

The receive framer enters an unavailable state condition at the onset of ten consecutive severely errored second events. When in the unavailable state, the receive framer deasserts the unavailable state alarms at the onset of ten consecutive seconds which were not severely errored.

Alarms and Performance Monitoring

(continued)

Loopback and Transmission Modes

Primary Loopback Modes

Framer primary loopback mode is controlled by register FRM_PR24. There are seven primary loopback and transmission test modes supported:

- Line loopback (LLB).
- Board loopback (BLB).
- Single time-slot system loopback (STSSLB).
- Single time-slot line loopback (STSLLB).
- CEPT nailed-up broadcast transmission (CNUBT).
- Payload loopback (PLLB).
- CEPT nailed-up connect loopback (CNUCLB).

The loopback and transmission modes are described in detail below:

- The LLB mode loops the receive line data and clock back to the transmit line. The received data is processed by the receive framer and transmitted to the system interface. This mode can be selected by setting register FRM_PR24 to 001xxxxx (binary).
- The BLB mode loops the receive system data back to the system after:
 - The transmit framer processes the data, and
 - The receive framer processes the data.

In the BLB mode, AIS is always transmitted to the line interface. This mode can be selected by setting register FRM_PR24 to 010xxxxx (binary).

- The STSSLB mode loops one and only one received system time slot back to the transmit system interface. The selected looped back time-slot data is not processed by either the transmit framer or the receive framer. The selected time slot does not pass through the receive elastic store buffer and therefore will not be affected by system-AIS, RLFA conditions, or controlled slips events. Once selected, the desired time-slot position has the programmable idle code in register FRM_PR22 transmitted to the line interface one frame before implementing the loopback and for the duration of the loopback. This mode can be selected by setting register FRM_PR24 to 011A4A3A2A1A0, where A4A3A2A1A0 is the binary address of the selected time slot.

- The STSLLB mode loops one and only one received line time slot back to the transmit line. The selected time-slot data is looped to the line after being processed by the receive framer, and it passes through the receive elastic store. The selected time slot has the programmable idle code in register FRM_PR22 transmitted to the system interface one frame before implementing the loopback and for the duration of the loopback. In CEPT, selecting time slot 0 has the effect of deactivating the current loopback mode while no other action will be taken (time slot 0 will not be looped back to the line and should not be chosen). This mode can be selected by setting register FRM_PR24 to 100A4A3A2A1A0, where A4A3A2A1A0 is the binary address of the selected time slot.
- The CNUBT mode transmits received-line time slot X to the system in time slot X and time slot 0 (of the next frame). Any time slot can be broadcast. This mode can be selected by setting register FRM_PR24 to 101A4A3A2A1A0 where A4A3A2A1A0 is the binary address of the selected time slot.
- The PLLB mode loops the received line data and clock back to the transmit line while inserting (replacing) the facility data link in the looped back data. Two variations of the payload loopback are available. In the pass-through framing/CRC bit mode (chosen by setting register FRM_PR24 to 111xxxxx (binary)), the framing and CRC bits are looped back to the line transmit data. In the regenerated framing/CRC bit mode (chosen by setting register FRM_PR24 to 110xxxxx (binary) and register FRM_PR10 bit 3 to 0), the framing and CRC bits are regenerated by the transmit framer. The payload loopback is only available for ESF and CEPT modes.
- The CNUCLB mode loops received system time slot X back to the system in time slot 0. The selected time slot is not routed through the receive elastic store buffer and, therefore, will not be affected by system-AIS, RLFA conditions, or controlled slips. Any time slot can be looped back to the system. Time slot X transmitted to the line is not affected by this loopback mode. Looping received system time slot 0 has no effect on time slot 0 transmitted to the line, i.e., the transmit framer will always overwrite the FAS and NOT FAS data in time slot 0 transmitted to the line. This mode can be selected by setting register FRM_PR24 to 110A4A3A2A1A0 and register FRM_PR10 bit 3 to 1, where A4A3A2A1A0 is the binary address of the selected time slot.

Alarms and Performance Monitoring (continued)**Secondary Loopback Modes**

There are two secondary loopback modes supported:

- Secondary-single time-slot system loopback (S-STSSLB).
- Secondary-single time-slot line loopback (S-STSLLB).

The loopbacks are described in detail below:

- The secondary-STSSLB mode loops one and only one received system time slot back to the transmit system interface. The selected time-slot data looped back is not processed by either the transmit framer or the receive framer. The selected time slot does not pass through the receive elastic store buffer and therefore will not be affected by system-AIS, RLFA conditions, or controlled slips events. Whenever the secondary loopback register is programmed to the same time slot as the primary register, the primary loopback mode will control that time slot. Once selected, the desired time-slot position has the programmable line idle code in register FRM_PR22 transmitted to the line interface one frame before implementing the loopback and for the duration of the loopback.
- The secondary-STSLLB mode loops one and only one line time slot back to the line. The selected time slot data is looped to the line after being processed by the receive framer and it passes through the receive elastic store. The selected time slot has the programmable idle code in register FRM_PR22 transmitted to the system interface one frame before implementing the loopback and for the duration of the loopback. In CEPT, selecting time slot 0 has the effect of deactivating the current loopback mode while no other action will be taken (time slot 0 will not be looped back to the line and should not be chosen in this mode).

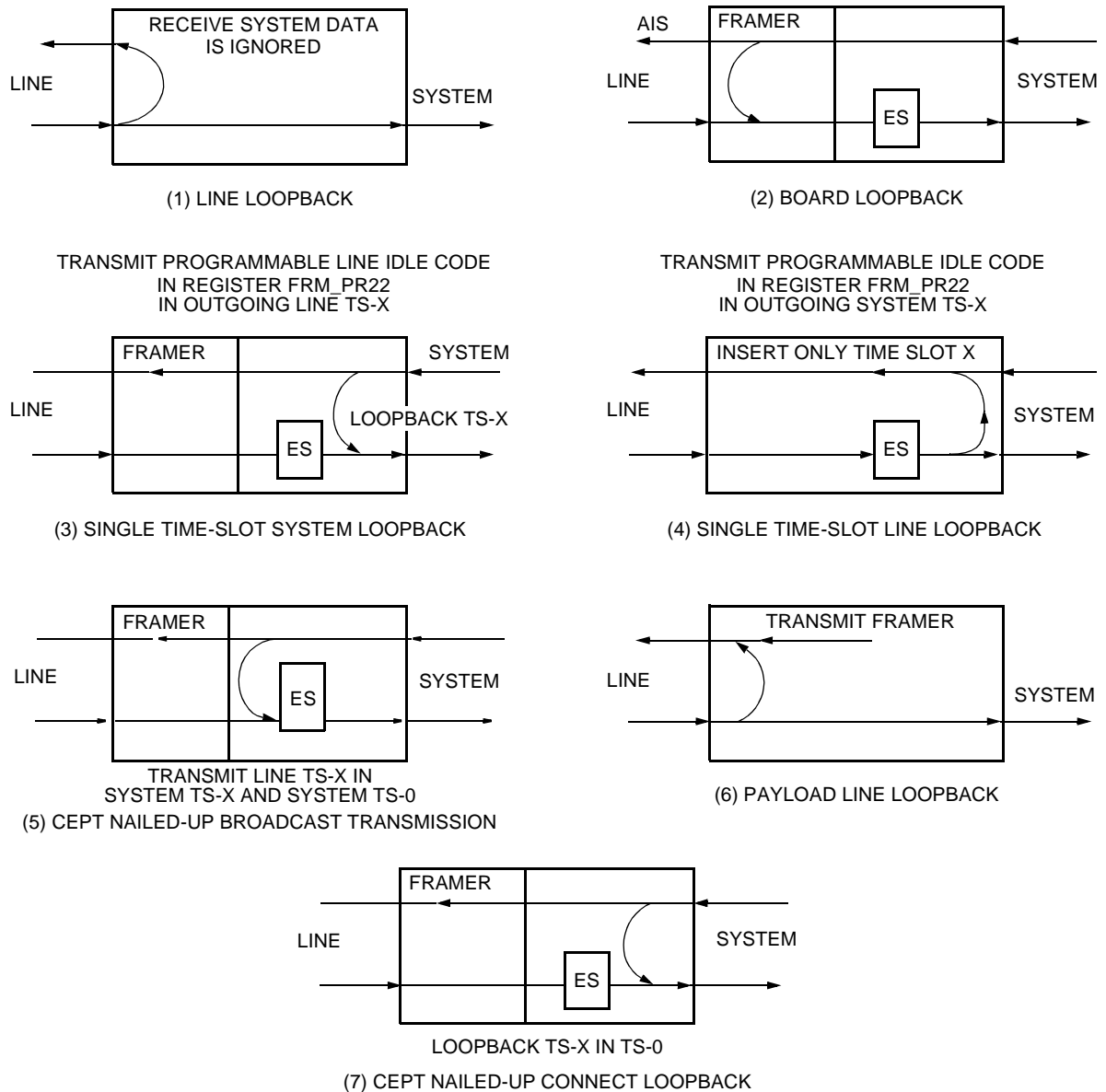
Table 33 defines the deactivation of the two secondary loopback modes as a function of the activation of the primary loopback and test transmission modes.

Table 33. Summary of the Deactivation of S-STSSLB and S-STSLLB Modes as a Function of Activating the Primary Loopback Modes

Primary Loopback Mode	Deactivation of S-STSSLB	Deactivation of S-STSLLB
STSSLB	If primary time slot = secondary	If primary time slot = secondary
STSLLB	If primary time slot = secondary	If primary time slot = secondary
BLB	Always	Always
CNUBT	If the secondary time slot is TS0 or if the primary time slot = secondary	If primary time slot = secondary
LLB	Always	Always
NUCLB	If the secondary time slot is TS0 or if the primary time slot = secondary	If primary time slot = secondary
PLLB	Always	Always

Alarms and Performance Monitoring (continued)

Figure 28 illustrates the various loopback modes implemented by each framer unit.



5-3914(F).d

Figure 28. Loopback and Test Transmission Modes

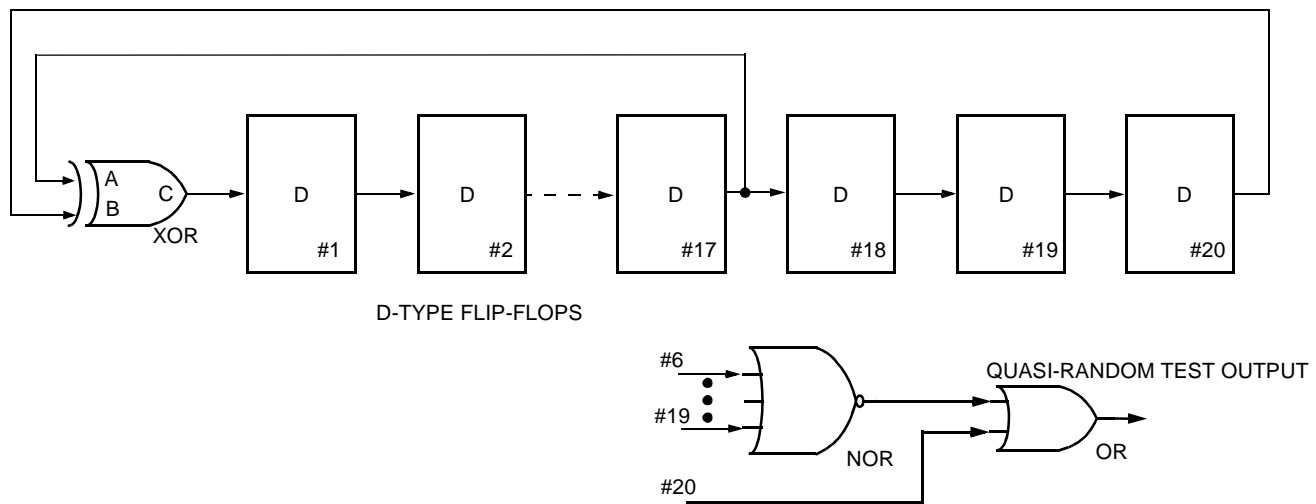
Alarms and Performance Monitoring (continued)**Line Test Patterns**

Test patterns may be transmitted to the line through either register FRM_PR20 or register FRM_PR69. Only one of these sources may be active at the same time. Signaling must be inhibited while sending these test patterns.

Transmit Line Test Patterns—Using Register FRM_PR20

The transmit framer can be programmed through register FRM_PR20 to transmit various test patterns. These test patterns, when enabled, overwrite the received CHI data. The test patterns available using register FRM_PR20 are:

- The unframed-AIS pattern which consists of a continuous bit stream of ones (. . . 111111 . . .) enabled by setting register FRM_PR20 bit 0 to 1.
- The unframed-auxiliary pattern which consists of a continuous bit stream of alternating ones and 0s (. . . 10101010 . . .) enabled by setting register FRM_PR20 bit 1 to 1.
- The quasi-random test signal, enabled by setting register FRM_PR20 bit 3 to 1, which consists of the following:
 - A pattern produced by means of a 20-stage shift register with feedback taken from the seventeenth and twentieth stages via an exclusive-OR gate to the first stage. The output is taken from the twentieth stage and is forced to a 1 state whenever the next 14 stages (19 through 6) are all 0. The pattern length is 1,048,575 or $2^{20} - 1$ bits. This pattern is described in detail in *AT&T Technical Reference 62411 [5] Appendix* and illustrated in Figure 29.
 - Valid framing bits.
 - Valid transmit facility data link (TFDL) bit information.
 - Valid CRC bits.

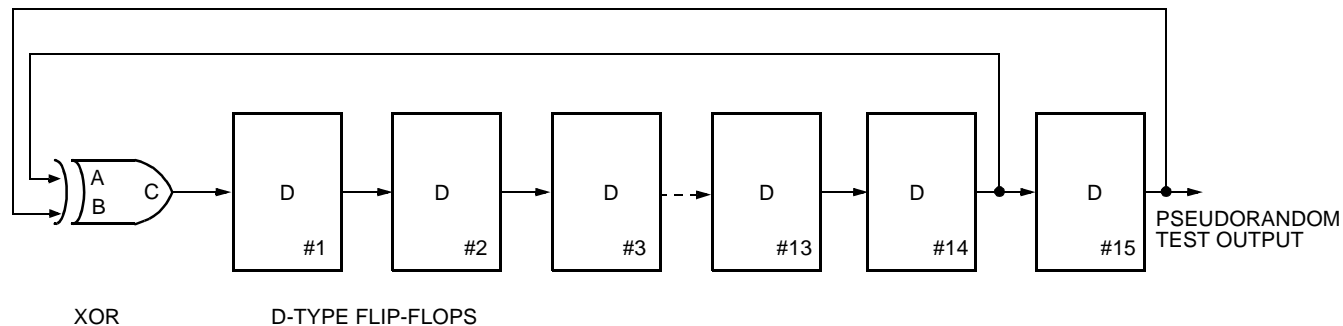


5-3915(F).dr.1

Figure 29. 20-Stage Shift Register Used to Generate the Quasi-Random Signal

- The pseudorandom test pattern, enabled by setting register FRM_PR20 bit 2 to 1, which consists of:
 - A $2^{15} - 1$ pattern inserted in the entire payload (time slots 1—24 in DS1 and time slots 1—32 in CEPT), as described by ITU Rec. 0.151 and illustrated in Figure 30.
 - Valid framing pattern.
 - Valid transmit facility data link (TFDL) bit data.
 - Valid CRC bits.

Alarms and Performance Monitoring (continued)



5-3915(F).er.1

Figure 30. 15-Stage Shift Register Used to Generate the Pseudorandom Signal

- The idle code test pattern, enabled by setting register FRM_PR20 bit 6 to 1, which consists of the following:
 - The programmable idle code, programmed through register FRM_PR22, in time slots 1—24 in DS1 and 0—31 in CEPT.
 - Valid framing pattern.
 - Valid transmit facility data link (TFDL) bit data.
 - Valid CRC bits.

Transmit Line Test Patterns—Using Register FRM_PR69

Framed or unframed patterns indicated in Table 34 may be generated and sent to the line by register FRM_PR69 and by setting register FRM_PR20 to 00 (hex). Selection of transmission of either a framed or unframed test pattern is made through FRM_PR69 bit 3. If one of the test patterns of register FRM_PR69 is enabled, a single bit error can be inserted into the transmitted test pattern by toggling register FRM_PR69 bit 1 from 0 to 1.

Table 34. Register FRM_PR69 Test Patterns

Pattern	Register FRM_PR69			
	Bit 7	Bit 6	Bit 5	Bit 4
MARK (all ones AIS)	0	0	0	0
QRSS ($2^{20} - 1$ with zero suppression)	0	0	0	1
$2^5 - 1$	0	0	1	0
63 ($2^6 - 1$)	0	0	1	1
511 ($2^9 - 1$)	0	1	0	0
511 ($2^9 - 1$) reversed	0	1	0	1
2047 ($2^{11} - 1$)	0	1	1	0
2047 ($2^{11} - 1$) reversed	0	1	1	1
$2^{15} - 1$	1	0	0	0
$2^{20} - 1$	1	0	0	1
$2^{20} - 1$	1	0	1	0
$2^{23} - 1$	1	0	1	1
1:1 (alternating)	1	1	0	0

Alarms and Performance Monitoring (continued)**Receive Line Pattern Monitor—Using Register FRM_SR7**

The receive framer pattern monitor continuously monitors the received line, detects the following fixed framed patterns, and indicates detection in register FRM_SR7 bit 6 and bit 7.

- The pseudorandom test pattern as described by ITU Rec. O.151 and illustrated in Figure 30. Detection of the pattern is indicated by register FRM_SR7 bit 6 = 1.
- The quasi-random test pattern described in *AT&T Technical Reference 62411[5] Appendix* and illustrated in Figure 29. Detection of the pattern is indicated by register FRM_SR7 bit 7 = 1.

In DS1 mode, the received 193 bit frame must consist of 192 bits of pattern plus 1 bit of framing information. In CEPT mode, the received 256 bit frame must consist of 248 bits of pattern plus 8 bits (TS0) of framing information. No signaling, robbed bit in the case of T1 and TS16 signaling in the case of CEPT, may be present for successful detection of these two test patterns.

To establish lock to the pattern, 256 sequential bits must be received without error. When lock to the pattern is achieved, the appropriate bit of register FRM_SR7 is set to a 1. Once pattern lock is established, the monitor can withstand up to 32 single bit errors per frame without a loss of lock. Lock will be lost if more than 32 errors occur within a single frame. When such a condition occurs, the appropriate bit of register FRM_SR7 is deasserted. The monitor then resumes scanning for pattern candidates.

Receive Line Pattern Detector—Using Register FRM_PR70

Framed or unframed patterns indicated in Table 35 may be detected using register FRM_PR70. Detection of the selected test pattern is indicated when register FRM_SR7 bit 4 is set to 1. Selection of a framed or unframed test pattern is made through FRM_PR70 bit 3. Bit errors in the received test pattern are indicated when register FRM_SR7 bit 5 = 1. The bit errors are counted and reported in registers FRM_SR8 and FRM_SR9, which are normally the BPV counter registers. (In this test mode, the BPV counter registers do not count BPVs but count only bit errors in the received test pattern.)

Table 35. Register FRM_PR70 Test Patterns

Pattern	Register FRM_PR70			
	Bit 7	Bit 6	Bit 5	Bit 4
MARK (all ones AIS)	0	0	0	0
QRSS ($2^{20} - 1$ with zero suppression)	0	0	0	1
$2^5 - 1$	0	0	1	0
63 ($2^6 - 1$)	0	0	1	1
511 ($2^9 - 1$)	0	1	0	0
511 ($2^9 - 1$) reversed	0	1	0	1
2047 ($2^{11} - 1$)	0	1	1	0
2047 ($2^{11} - 1$) reversed	0	1	1	1
$2^{15} - 1$	1	0	0	0
$2^{20} - 1$	1	0	0	1
$2^{20} - 1$	1	0	1	0
$2^{23} - 1$	1	0	1	1
1:1 (alternating)	1	1	0	0

Alarms and Performance Monitoring (continued)

The pattern detector continuously monitors the received line for the particular pattern selected in register FRM_PR70 bit 7—bit 4 (DPTRN). To establish detector lock to the pattern, 256 sequential bits must be detected. Once the detector has locked onto the selected pattern, it will remain locked to the established alignment and count all unexpected bits as single bit errors until register FRM_PR70 bit 2 (DBLKSEL) is set to 0.

To select a pattern or change the pattern to be detected, the following programming sequence must be followed:

- DBLKSEL (register FRM_PR70 bit 2) is set to 0.
- The new pattern to be detected is selected by setting register FRM_PR70 bit 7—bit 4 to the desired value.
- DBLKSEL (register FRM_PR70 bit 2) is set to 1.

Alarms and Performance Monitoring (continued)**Automatic and On-Demand Commands**

Various alarms can be transmitted either automatically as a result of various alarm conditions or on demand. After reset, all automatic transmissions are disabled. The user can enable the automatic or on-demand actions by setting the proper bits in the automatic and on-demand action registers as identified below in Table 36. Table 37 shows the programmable automatically transmitted signals and the triggering mechanisms for each. Table 37 shows the on-demand commands.

Table 36. Automatic Enable Commands

Action	Trigger	Enabling Register Bit
Transmit Remote Frame Alarm (RFA)	Loss of frame alignment (RLFA)	FRM_PR27 bit 0 = 1
	Loss of CEPT time slot 16 multiframe alignment (RTS16LMFA)	FRM_PR27 bit 1 = 1
	Loss of CEPT time slot 0 multiframe alignment (RTS0LMFA)	FRM_PR27 bit 2 = 1
	Detection of the timer (100 ms or 400 ms) expiration due to loss of CEPT multiframe alignment	FRM_PR27 bit 3 = 1 FRM_PR9 bit 7—bit 0 = 0xxxx1x1 or 0xxx1xx1
	Detection of the CEPT RSa6 = 8 (hex) code	FRM_PR27 bit 4 = 1
	Detection of the CEPT RSa6 = C (hex) code	FRM_PR27 bit 5 = 1
Transmit CEPT E Bit = 0	Detection of CEPT CRC-4 error	FRM_PR28 bit 3 = 1
	RTS0LMFA	FRM_PR28 bit 4 = 1
	Detection of the timer (100 ms or 400 ms) expiration due to loss of CEPT multiframe alignment	FRM_PR28 bit 5 = 1 FRM_PR9 bit 7—bit 0 = 0xxxx1x1 or 0xxx1xx1
Transmit AIS to System	RLFA	FRM_PR19 bit 0 = 1
	Detection of the timer (100 ms or 400 ms) expiration due to loss of CEPT multiframe alignment	FRM_PR19 bit 1 = 1 FRM_PR9 bit 7—bit 0 = 0xxxx1x1 or 0xxx1xx1
Transmit CEPT Time Slot 16 Remote Multiframe Alarm to Line	RTS16LMFA	FRM_PR41 bit 4 = 1
Transmit CEPT AIS in Time Slot 16 to System	RTS16LMFA	FRM_PR44 bit 6 = 1
Automatic Enabling of DS1 Line Loopback On/Off	Line loopback on/off code	FRM_PR19 bit 4 = 1
Automatic Enabling of ESF FDL Line Loopback On/Off	ESF line loopback on/off code	FRM_PR19 bit 6 = 1
Automatic Enabling of ESF FDL Payload Loopback On/Off	ESF payload loopback on/off code	FRM_PR19 bit 7 = 1

Alarms and Performance Monitoring (continued)

Table 37. On-Demand Commands

Type	Frame Format	Action	Enabling Register Bit
Transmit Remote Frame Alarm	D4 (Japanese)	Fs bit in frame 12 = 1	FRM_PR27 bit 6 = 1
	D4 (US)	Bit 2 of all time slots = 0	FRM_PR27 bit 7 = 1
	DDS	Bit 6 in time slot 24 = 0	
	ESF	Pattern of 1111111100000000 in the FDL F-bit position	
	CEPT	A bit = 1	
Transmit Time Slot 16 Remote Multiframe Alarm to the Line	CEPT	Time slot 16 remote alarm bit = 1	FRM_PR41 bit 5 = 1
Transmit Data Link AIS (Squelch)	SLC-96, ESF	Transmit data link bit = 1	FRM_PR21 bit 4 = 1
Transmit Line Test Patterns	All	Transmit test patterns to the line interface	See Transmit Line Test Patterns—Using Register FRM_PR20 section on page 78 and Transmit Line Test Patterns—Using Register FRM_PR69 section on page 79.
Transmit System AIS	All	Transmits AIS to the system	FRM_PR19 bit 3 = 1
Transmit System Signaling AIS (Squelch)	T1	Transmit ABCD = 1111 to the system	FRM_PR44 bit 1 = 1
	CEPT	Transmit AIS in system time slot 16	FRM_PR44 bit 7 = 1
Receive Signaling Inhibit	All	Suspend the updating of the receive signaling registers	FRM_PR44 bit 3 = 1
Receive Framer Reframe	All	Force the receive framer to reframe	FRM_PR26 bit 2 = 1
Transmit Line Time Slot 16	CEPT	Transmit AIS in time slot 16 to the line	FRM_PR41 bit 6 = 1
Enable Loopback	All	Enables system and line loopbacks	See Loopback and Transmission Modes section on page 75.
Framer Software Reset	All	The framer and FDL are placed in the reset state for four RCLK clock cycles. The framer parameter registers are forced to the default value.	FRM_PR26 bit 0 = 1
Framer Software Restart	All	The framer and FDL are placed in the reset state as long as this bit is set to 1. The framer parameter registers are not changed from their programmed values.	FRM_PR26 bit 1 = 1

Facility Data Link

Data may be extracted from and inserted into the facility data link in *SLC-96*, *DDS*, *ESF*, and *CEPT* framing formats. In *CEPT*, any one of the *Sa* bits can be declared as the facility data link by programming register *FRM_PR43* bit 0—bit 2. Access to the FDL is made through:

- The FDL pins (*RFDL*, *RFDLCK*, *TFDL*, and *TFDLCK*). Figure 15 shows the timing of these signals.
- The 64-byte FIFO of the FDL HDLC block. FDL information passing through the FDL HDLC Section may be framed in HDLC format or passed through transparently.

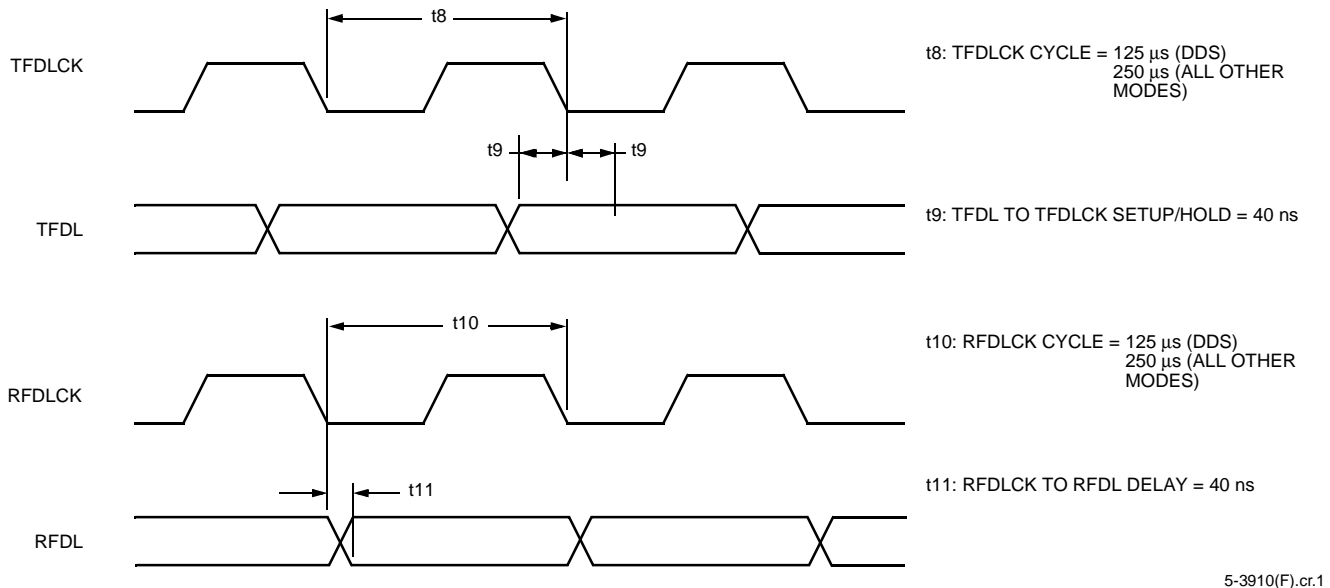


Figure 31. TFRA08C13 Facility Data Link Access Timing of the Transmit and Receive Framer Sections

In the *ESF* frame format, automatic assembly and transmission of the performance report message (*PRM*) as defined in both *ANSI T1.403-1995* and *Telcordia Technologies* TR-TSY-000194 Issue 1, 12—87* is managed by the receive framer and transmit FDL sections. The *ANSI T1.403-1995* bit-oriented data link messages (*BOM*) can be transmitted by the transmit FDL section and recognized and stored by the receive FDL section.

Receive Facility Data Link Interface

Summary

A brief summary of the receive facility data link functions is given below:

- **Bit-oriented message (BOM) operation.** The *ANSI T1.403-1995* bit-oriented data link messages are recognized and stored in register *FDL_SR3*. The number of times that an *ANSI* code must be received for detection can be programmed from 1 to 10 by

writing to register *FDL_PR0* bit 4—bit 7. When a valid *ANSI* code is detected, register *FDL_SR0* bit 7 (*FRANSI*) is set.

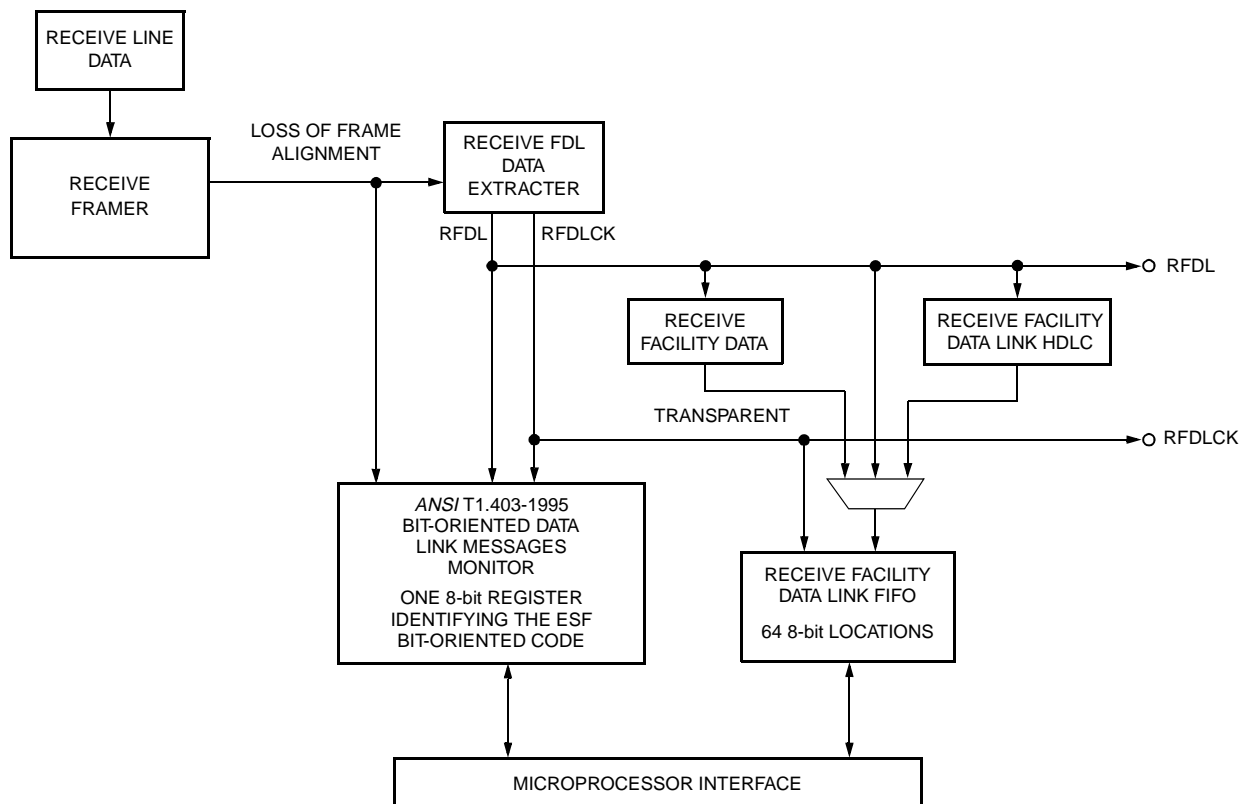
- **HDLC operation.** This is the default mode of operation when the FDL receiver is enabled (register *FDL_PR1* bit 2 = 1). The HDLC framer detects the HDLC flags, checks the CRC bytes, and stores the data in the FDL receiver FIFO (register *FDL_SR4*) along with a status of frame (*SF*) byte.
- **HDLC operation with performance report messages (PRM).** This mode is enabled by setting register *FDL_PR1* bit 2 and bit 6 to 1. In this case, the receive FDL will store the 13 bytes of the *PRM* report field in the FDL receive FIFO (register *FDL_SR4*) along with a status of frame (*SF*) byte.
- **Transparent operation.** Enabling the FDL and setting register *FDL_PR9* bit 6 (*FTM*) to 1 disables the HDLC processing. Incoming data link bits are stored in the FDL receive FIFO (register *FDL_SR4*).

* *Telcordia Technologies* is a registered trademark of Bell Communications Research, Inc.

Facility Data Link (continued)

- **Transparent operation with pattern match.** Enabling the FDL and setting registers FDL_PR9 bit 5 (FMATCH) and FDL_PR9 bit 6 (FTM) to 1 forces the FDL to start storing data in the FDL receive FIFO (register FDL_SR4) only after the programmable match character defined in register FDL_PR8 bit 0—bit 7 has been detected. The match character and all subsequent bytes are placed into the FDL receive FIFO.

The FDL interface to the receive framer is illustrated in Figure 32.



5-4560(F).ar.1

Figure 32. Block Diagram for the Receive Facility Data Link Interface

Receive *ANSI/T1.403* Bit-Oriented Messages (BOM)

- The receive FDL monitor will detect any of the *ANSI/T1.403* ESF bit-oriented messages (BOMs) and generate an interrupt, enabled by register FDL_PR6 bit 7, upon detection. Register FDL_SR0 bit 7 (FRANSI) is set to 1 upon detection of a valid BOM and then cleared when read.
- The received ESF FDL bit-oriented messages are received in the form 11111110X0X1X2X3X4X50 (the left most bit is received first). The bits designated as X are the defined *ANSI/ESF* FDL code bits. These code bits are written into the received *ANSI/FDL* status register FDL_SR3 when the entire code is received.
- The minimum number of times a valid code must be received before it is reported can be programmed from 1 to 10 using register FDL_PR0 bit 4—bit 7.

Facility Data Link (continued)

The received *ANSI* FDL status byte, register FDL_SR3, has the following format.

Table 38. Receive *ANSI* Code

B7	B6	B5	B4	B3	B2	B1	B0
0	0	X5	X4	X3	X2	X1	X0

Receive *ANSI* Performance Report Messages (PRM)

As defined in *ANSI* T1.403, the performance report messages consist of 15 bytes, starting and ending with an HDLC flag. The receive framer status information consists of four pairs of octets, as shown in Table 39. Upon detection of the PRM message, the receive FDL extracts the 13 bytes of the PRM report field and stores it in the receive FDL FIFO along with the status of frame byte.

Table 39. Performance Report Message Structure*

Octet Number	PRM B7	PRM B6	PRM B5	PRM B4	PRM B3	PRM B2	PRM B1	PRM B0
1	Flag							
2	SAPI						C/R	EA
3	TEI							EA
4	Control							
5	G3	LV	G4	U1	U2	G5	SL	G6
6	FE	SE	LB	G1	R	G2	Nm	NI
7	G3	LV	G4	U1	U2	G5	SL	G6
8	FE	SE	LB	G1	R	G2	Nm	NI
9	G3	LV	G4	U1	U2	G5	SL	G6
10	FE	SE	LB	G1	R	G2	Nm	NI
11	G3	LV	G4	U1	U2	G5	SL	G6
12	FE	SE	LB	G1	R	G2	Nm	NI
13—14	FCS							
15	Flag							

* The rightmost bit (bit 1) is transmitted first for all fields except for the 2 bytes of the FCS that are transmitted left most bit (bit 8) first.

The definition of each PRM field is shown in Table 40, and octet content is shown in Table 41.

Facility Data Link (continued)

Table 40. FDL Performance Report Message Field Definition

PRM Field	Definition
G1 = 1	CRC Error Event = 1
G2 = 1	1 < CRC Error Event ≤ 5
G3 = 1	5 < CRC Error Event ≤ 10
G4 = 1	10 < CRC Error Event ≤ 100
G5 = 1	100 < CRC Error Event ≤ 319
G6 = 1	CRC Error Event ≥ 320
SE = 1	Severely Errored Framing Event ≥ 1 (FE will = 0)
FE = 1	Frame Synchronization Bit Error Event ≥ 1 (SE will = 0)
LV = 1	Line Code Violation Event ≥ 1
SL = 1	Slip Event ≥ 1
LB = 1	Payload Loopback Activated
U1, U2 = 0	Reserved
R = 0	Reserved (default value = 0)
Nm, NI = 00, 01, 10, 11	One-Second Report Modulo 4 Counter

Table 41. Octet Contents and Definition

Octet Number	Octet Contents	Definition
1	01111110	Opening LAPD Flag
2	00111000 00111010	From CI: SAPI = 14, C/R = 0, EA = 0 From Carrier: SAPI = 14, C/R = 1, EA = 0
3	00000001	TEI = 0, EA = 1
4	00000011	Unacknowledged Frame
5, 6	Variable	Data for Latest Second (T)
7, 8	Variable	Data for Previous Second (T – 1)
9, 10	Variable	Data for Earlier Second (T – 2)
11, 12	Variable	Data for Earlier Second (T – 3)
13, 14	Variable	CRC-16 Frame Check Sequence
15	01111110	Closing LAPD Flag

Facility Data Link (continued)**Receive HDLC Mode**

This is the default mode of the FDL. The receive FDL receives serial data from the receive framer, identifies HDLC frames, reconstructs data bytes, provides bit destuffing as necessary, and loads parallel data in the receive FIFO. The receive queue manager forms a status of frame (SF) byte for each HDLC frame and stores the SF byte in the receive FDL FIFO (register FDL_SR4) after the last data byte of the associated frame. HDLC frames consisting of n bytes will have $n + 1$ bytes stored in the receive FIFO. The frame check sequence bytes (CRC) of the received HDLC frame are not stored in the receive FIFO. When receiving ANS/PRM frames, the frame check sequence bytes are stored in the receive FIFO.

The SF byte has the following format.

Table 42. Receive Status of Frame Byte

RSF B7	RSF B6	RSF B5	RSF B4	RSF B3	RSF B2	RSF B1	RSF B0
BAD CRC	ABORT	RFIFO OVERRUN	BAD BYTE COUNT	0	0	0	0

Bit 7 of the SF status byte is the CRC status bit. A 1 indicates that an incorrect CRC was detected. A 0 indicates the CRC is correct. Bit 6 of the SF status byte is the abort status. A 1 indicates the frame associated with this status byte was aborted (i.e., the abort sequence was detected after an opening flag and before a subsequent closing flag). An abort can also cause bits 7 and/or 4 to be set to 1. An abort is not reported when a flag is followed by seven ones. Bit 5 is the FIFO overrun bit. A 1 indicates that a receive FIFO overrun occurred (the 64-byte FIFO size was exceeded). Bit 4 is the FIFO bad byte count that indicates whether or not the bit count received was a multiple of eight (i.e., an integer number of bytes). A 1 indicates that the bit count received after 0-bit deletion was not a multiple of eight, and a 0 indicates that the bit count was a multiple of eight. When a non-byte-aligned frame is received, all bits received are present in the receive FIFO. The byte before the SF status byte contains less than eight valid data bits. The HDLC block provides no indication of how many of the bits in the byte are valid. User application programming controls processing of non-byte-aligned frames. Bit 3—bit 0 of the SF status byte are not used and are set to 0. A good frame is implied when the SF status byte is 00 (hex).

Receive FDL FIFO

Whenever an SF byte is present in the receive FIFO, the end of frame registers FDL_SR0 bit 4 (FEOF) and FDL_SR2 bit 7 (FEOF) bits are set. The receiver queue status (register FDL_SR2 bit 0—bit 6) bits report the number of bytes up to and including the first SF byte. If no SF byte is present in the receive FIFO, the count directly reflects the number of data bytes available to be read. Depending on the FDL frame size, it is possible for multiple frames to be present in the receive FIFO. The receive fill level indicator register FDL_PR6 bit 0—bit 5 (FRIL) can be programmed to tailor the service time interval to the system. The receive FIFO full register FDL_SR0 bit 3 (FRF) interrupt is set in the interrupt status register when the receive FIFO reaches the preprogrammed full position. An FEOF interrupt is also issued when the receiver has identified the end of frame and has written the SF byte for that frame. An FDL overrun interrupt register FDL_SR0 bit 5 (FROVERUN) is generated when the receiver needs to write either status or data to the receive FIFO while the receive FIFO is full. An overrun condition will cause the last byte of the receive FIFO to be overwritten with an SF byte indicating the overrun status. A receive idle register FDL_SR0 bit 6 (FRIDL) interrupt is issued whenever 15 or more continuous ones have been detected.

Facility Data Link (continued)

The receive queue status bits, register FDL_SR2 bit 0—bit 6 (FRQS), are updated as bytes are loaded into the receive FIFO. The SF status byte is included in the byte count. When the first SF status byte is placed in the FIFO, register FDL_SR0 bit 4 (FEOF) is set to 1, and the status freezes until the FIFO is read. As bytes are read from the FIFO, the queue status decrements until it reads 1. The byte read when register FDL_SR2 bit 0—bit 6 = 0000001 and the FEOF bit is 1 is the SF status byte describing the error status of the frame just read. Once the first SF status byte is read from the FIFO, the FIFO status is updated to report the number of bytes to the next SF status byte, if any, or the number of additional bytes present. When FEOF is 0, no SF status byte is currently present in the FIFO, and the FRQS bits report the number of bytes present. As bytes are read from the FIFO, the queue status decrements with each read until it reads 0 when the FIFO is totally empty. The FEOF bit is also 0 when the FIFO is completely empty. Thus, the FRQS and FEOF bit provide a mechanism to recognize the end of 1 frame and the beginning of another. Reading the FDL receiver status register does not affect the FIFO buffers. In the event of a receiver overrun, an SF status byte is written to the receive FIFO. Multiple SF status bytes can be present in the FIFO. The FRQS reports only the number of bytes to the first SF status byte. If FRQS is 0, do not read the receive FIFO. A read will result in the corruption of receive FIFO.

To allow users to tailor receiver FIFO service intervals to their systems, the receiver interrupt level bits in register FDL_PR6 bit 0—bit 5 (FRIL) are provided. These bits are coded in binary and determine when the receiver full interrupt, register FDL_SR0 bit 3 (FRF), is asserted. The interrupt pin transition can be masked by setting register FDL_PR2 bit 3 (FRFIE) to 0. The value programmed in the FRIL bits equals the total number of bytes necessary to be present in the FIFO to trigger an FRF interrupt. The FRF interrupt alone is not sufficient to determine the number of bytes to read, since some of the bytes may be SF status bytes. The FRQS bits

and FEOF bit allow the user to determine the number of bytes to read. The FEOF interrupt can be the only interrupt for the final frame of a group of frames, since the number of bytes received to the end of the frame cannot be sufficient to trigger an FRF interrupt.

Programming Note: Since the receiver writing to the receive FIFO and the host reading from the receive FIFO are asynchronous events, it is possible for a host read to put the number of bytes in the receive FIFO just below the programmed FRIL level and a receiver write to put it back above the FRIL level. This causes a new FRF interrupt, and has the potential to cause software problems. It is recommended that during service of the FRF interrupt, the FRF interrupt be masked (FRFIE = 0, and the interrupt register be read at the end of the service routine, discarding any FRF interrupt seen, before unmasking the FRF interrupt).

Receiver Overrun

A receiver overrun occurs if the 64-byte limit of the receiver FIFO is exceeded, i.e., data has been received faster than it has been read out of the receive FIFO. Upon overrun, an SF status byte with the overrun bit (bit 5) set to 1 replaces the last byte in the FIFO. The SF status byte can have other error conditions present. For example, it is unlikely the CRC is correct. Thus, care should be taken to prioritize the possible frame errors in the software service routine. The last byte in the FIFO is overwritten with the SF status byte regardless of the type of byte (data or SF status) being overwritten. The overrun condition is reported in register FDL_SR0 bit 5 and causes the interrupt pin to be asserted if it is not masked (register FDL_PR2 bit 5 (FROVIE)). Data is ignored until the condition is cleared and a new frame begins. The overrun condition is cleared by reading register FDL_SR0 bit 5 and reading at least 1 byte from the receive FIFO. Because multiple frames can be present in the FIFO, good frames as well as the overrun frame can be present. The host can determine the overrun frame by looking at the SF status byte.

Facility Data Link (continued)

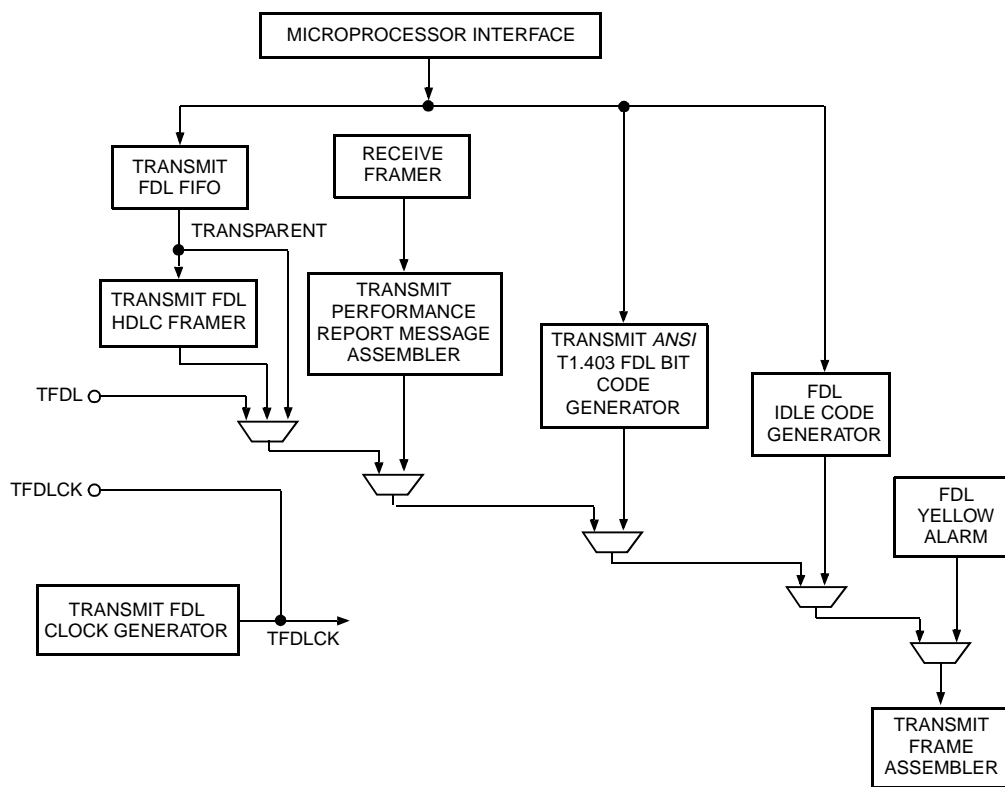
Transmit Facility Data Link Interface

The FDL interface of the transmit framer is shown in Figure 33, indicating the priority of the FDL sources.

The remote frame alarm, enabled using register FRM_PR27, is given the highest transmission priority by the transmit framer.

The *ANS/T1.403-1995* bit-oriented data link message transmission is given priority over performance report messages and the automatic transmission of the performance report messages is given priority over FDL HDLC transmission. Idle code is generated by the FDL unit when no other transmission is enabled.

The FDL transmitter is enabled by setting register FDL_PR1 bit 3 to 1.



5-4561(F).a

Figure 33. Block Diagram for the Transmit Facility Data Link Interface

Transmit *ANS/T1.403* Bit-Oriented Messages (BOM)

When the *ANS/BOM* mode is enabled by setting register FDL_PR10 bit 7 to 1, the transmit FDL can send any of the *ANS/T1.403* ESF bit-oriented messages automatically through the FDL bit in the frame.

The transmit ESF FDL bit-oriented messages of the form 11111110X0X1X2X3X4X50 are taken from the transmit *ANS/FDL* parameter register FDL_PR10 bit 0—bit 5. The ESF FDL bit-oriented messages will be repeated while register FDL_PR10 bit 7 (FTANSI) is set to 1.

Facility Data Link (continued)

Transmit *ANSI* Performance Report Messages (PRM)

When the *ANSI* PRM mode is enabled by setting register FDL_PR1 bit 7 to 1, the transmit FDL assembles and transmits the *ANSI* performance report message once every second.

After assembling the *ANSI* PRM message, the receive framer stores the current second of the message in registers FRM_SR62 and FRM_SR63 and transfers the data to the FDL transmit FIFO. After accumulating three seconds (8 bytes) of the message, the FDL transmit block appends the header and the trailer (including the opening and closing flags) to the PRM messages and transmits it to the framer for transmission to the line.

Table 39—Table 41 show the complete format of the PRM HDLC packet.

HDLC Operation

HDLC operation is the default mode of operation. The transmitter accepts parallel data from the transmit FIFO, converts it to a serial bit stream, provides bit stuffing as necessary, adds the CRC-16 and the opening and closing flags, and sends the framed serial bit stream to the transmit framer. HDLC frames on the serial link have the following format.

Table 43. HDLC Frame Format

Opening Flag	User Data Field	Frame Check Sequence (CRC)	Closing Flag
01111110	≥8 bits	16 bits	01111110

All bits between the opening flag and the CRC are considered user data bits. User data bits such as the address, control, and information fields for LAPB or LAPD frames are fetched from the transmit FIFO for transmission. The 16 bits preceding the closing flag are the frame check sequence, cyclic redundancy check (CRC), bits.

Zero-Bit Insertion/Deletion (Bit Stuffing/Destuffing)

The HDLC protocol recognizes three special bit patterns: lags, aborts, and idles. These patterns have the common characteristic of containing at least six consecutive ones. A user data byte can contain one of these special patterns. Transmitter zero-bit stuffing is done on user data and CRC fields of the frame to avoid transmitting one of these special patterns. Whenever five ones occur between flags, a 0 bit is automatically inserted after the fifth 1, prior to transmission of the next bit. On the receive side, if five successive ones are detected followed by a 0, the 0 is assumed to have been inserted and is deleted (bit destuffing).

Facility Data Link (continued)**Flags***

All flags have the bit pattern 01111110 and are used for frame synchronization. The FDL HDLC block automatically sends two flags between frames. If the chip-configuration register FDL_PR0 bit 1 (FLAGS) is cleared to 0, the ones idle byte (11111111) is sent between frames if no data is present in the FIFO. If FLAGS is set to 1, the FDL HDLC block sends continuous flags when the transmit FIFO is empty. The FDL HDLC does not transmit consecutive frames with a shared flag; therefore, two successive flags will not share the intermediate 0.

An opening flag is generated at the beginning of a frame (indicated by the presence of data in the transmit FIFO and the transmitter enable register FDL_PR1 bit 3 = 1). Data is transmitted per the HDLC protocol until a byte is read from the FIFO while register FDL_PR3 bit 7 (FTFC) set to 1. The FDL HDLC block follows this last user data byte with the CRC sequence and a closing flag.

The receiver recognizes the 01111110 pattern as a flag. Two successive flags may or may not share the intermediate 0 bit and are identified as two flags (i.e., both 011111101111110 and 0111111001111110 are recognized as flags by the FDL HDLC block). When the second flag is identified, it is treated as the closing flag. As mentioned above, a flag sequence in the user data or CRC bits is prevented by zero-bit insertion and deletion. The HDLC receiver recognizes a single flag between frames as both a closing and opening flag.

Aborts

An abort is indicated by the bit pattern of the sequence 01111111. A frame can be aborted by writing a 1 to register FDL_PR3 bit 6 (FTABT). This causes the last byte written to the transmit FIFO to be replaced with the abort sequence upon transmission. Once a byte is tagged by a write to FTABT, it cannot be cleared by subsequent writes to register FDL_PR3. FTABT has higher priority than FDL transmit frame complete (FTFC), but FTABT and FTFC should never be set to 1 simultaneously since this causes the transmitter to enter an invalid state requiring a transmitter reset to clear. A frame should not be aborted in the very first byte following the opening flag. An easy way to avoid this situation is to first write a dummy byte into the queue and then write the abort command to the queue.

When receiving a frame, the receiver recognizes the abort sequence whenever it receives a 0 followed by seven consecutive ones. The receive FDL unit will abort a frame whenever the receive framer detects a loss of frame alignment. This results in the abort bit, and possibly the bad byte count bit and/or bad CRC bits, being set in the status of frame status byte (see Table 42) which is appended to the receive data queue. All subsequent bytes are ignored until a valid opening flag is received.

Idles

In accordance with the HDLC protocol, the HDLC block recognizes 15 or more contiguous received ones as idle. When the HDLC block receives 15 contiguous ones, the receiver idle bit register FDL_SR0 bit 6 (RIDL) is set.

For transmission, the ones idle byte is defined as the binary pattern 11111111 (FF (hex)). If the FLAGS control bit in register FDL_PR0 bit 1 is 0, the ones idle byte is sent as the time-fill byte between frames. A time-fill byte is sent when the transmit FIFO is empty and the transmitter has completed transmission of all previous frames. Frames are sent back-to-back otherwise.

CRC-16

For given user data bits, 16 additional bits that constitute an error-detecting code (CRC-16) are added by the transmitter. As called for in the HDLC protocol, the frame check sequence bits are transmitted most significant bit first and are bit stuffed. The cyclic redundancy check (or frame check sequence) is calculated as a function of the transmitted bits by using the ITU-T standard polynomial:

$$x^{16} + x^{12} + x^5 + 1$$

The transmitter can be instructed to transmit a corrupted CRC by setting register FDL_PR2 bit 7 (FTB-CRC) to 1. As long as the FTB-CRC bit is set, the CRC is corrupted for each frame transmitted by logically flipping the least significant bit of the transmitted CRC.

The receiver performs the same calculation on the received bits after destuffing and compares the results to the received CRC-16 bits. An error indication occurs if, and only if, there is a mismatch.

* Regardless of the time-fill byte used, there always is an opening and closing flag with each frame. Back-to-back frames are separated by two flags.

Facility Data Link (continued)

Transmit FDL FIFO

Transmit FDL data is loaded into the 64-byte transmit FIFO via the transmit FDL data register, FDL_PR4. The transmit FDL status register indicates how many additional bytes can be added to the transmit FIFO. The transmit FDL interrupt trigger level register FDL_PR3 bit 0—bit 5 (FTIL) can be programmed to tailor service time intervals to the system environment. The transmitter empty interrupt bit is set in the FDL interrupt status register FDL_SR0 bit 1 (FTEM) when the transmit FIFO has sufficient empty space to add the number of bytes specified in register FDL_PR3 bit 0—bit 5. There is no interrupt indicated for a transmitter overrun that is writing more data than empty spaces exist. Overrunning the transmitter causes the last valid data byte written to be repeatedly overwritten, resulting in missing data in the frame.

Data associated with multiple frames can be written to the transmit FIFO by the controlling microprocessor. However, all frames must be explicitly tagged with a transmit frame complete, register FDL_PR3 bit 7 (FTFC), or a transmit abort, register FDL_PR3 bit 6 (FTABT). The FTFC is tagged onto the last byte of a frame written into the transmitter FIFO and instructs the transmitter to end the frame and attach the CRC and closing flag following the tagged byte. Once written, the FTFC cannot be changed by another write to register FDL_PR3. If FTFC is not written before the last data byte is read out for transmission, an underrun occurs (FDL_SR0 bit 2). When the transmitter has completed a frame, with a closing flag or an abort sequence, register FDL_SR0 bit 0 (FTDONE) is set to 1. An interrupt is generated if FDL_PR2 bit 0 (FTDIE) is set to 1.

Sending 1-Byte Frames

Sending 1-byte frames with an empty transmit FIFO is not recommended. If the FIFO is empty, writing two data bytes to the FIFO before setting FTFC provides a minimum of eight TFDLCK periods to set FTFC. When 1 byte is written to the FIFO, FTFC must be written within 1 TFDLCK period to guarantee that it is effective. Thus, 1-byte frames are subject to underrun aborts. One-byte frames cannot be aborted with FTABT. Placing the transmitter in ones-idle mode, register FDL_PR0 bit 1 (FLAGS) = 0, lessens the frequency of underruns. If the transmit FIFO is not empty, then 1-byte frames present no problems.

Transmitter Underrun

After writing a byte to the transmit queue, the user has eight TFDLCK cycles in which to write the next byte before a transmitter underrun occurs. An underrun occurs when the transmitter has finished transmitting all the bytes in the queue, but the frame has not yet been closed by setting FTFC. When a transmitter underrun occurs, the abort sequence is sent at the end of the last valid byte transmitted. A FTDONE interrupt is generated, and the transmitter reports an underrun abort until the interrupt status register is read.

Using the Transmitter Status and Fill Level

The transmitter-interrupt level bits, register FDL_PR3 bit 0—bit 5, allow the user to instruct the FDL HDLC block to interrupt the host processor whenever the transmitter has a predetermined number of empty locations. The number of locations selected determines the time between transmitter empty, register FRM_SR0 bit 1 (FTEM), interrupts. The transmitter status bits, register FDL_SR1, report the number of empty locations in the FDL transmitter FIFO. The transmitter empty dynamic bit, register FDL_SR1 bit 7 (FTED), like the FTEM interrupt bit, is set to 1 when the number of empty locations is less than or equal to the programmed empty level. FTED returns to 0 when the transmitter is filled to above the programmed empty level. Polled interrupt systems can use FTED to determine when they can write to the FDL transmit FIFO.

Transparent Mode

The FDL HDLC block can be programmed to operate in the transparent mode by setting register FDL_PR9 bit 6 (FTRANS) to 1. In the transparent mode of operation, no HDLC processing is performed on user data. The transparent mode can be exited at any time by setting FDL_PR9 bit 6 (FTRANS) to 0. It is recommended that the transmitter be disabled when changing in and out of transparent mode. The transmitter should be reset by setting FDL_PR1 bit 5 (FTR) to 1 whenever the mode is changed.

Facility Data Link (continued)

In the transmit direction, the FDL HDLC takes data from the transmit FIFO and transmits that data exactly bit-for-bit on the TFDL interface. Transmit data is octet-aligned to the first TFDLCK after the transmitter has been enabled. The bits are transmitted least significant bit first. When there is no data in the transmit FIFO, the FDL HDLC either transmits all ones, or transmits the programmed HDLC transmitter idle character (register FDL_PR5) if register FDL_PR9 bit 6 (FMATCH) is set to 1. To cause the transmit idle character to be sent first, the character must be programmed before the transmitter is enabled.

The transmitter empty interrupt, register FDL_SR0 bit 1 (FTEM), acts as in the HDLC mode. The transmitter-done interrupt, register FDL_SR0 bit 0 (FTDONE), is used to report an empty FDL transmit FIFO. The FTDONE interrupt thus provides a way to determine transmission end. Register FDL_SR0 bit 2 (FTUND-ABT) interrupt is not active in the transparent mode.

In the receive direction, the FDL HDLC block loads received data from the RFDL interface directly into the receive FIFO bit-for-bit. The data is assumed to be least significant bit first. If FMATCH register FDL_PR9 bit 6 is 0, the receiver begins loading data into the receive FIFO beginning with the first RFDLCK detected after the receiver has been enabled. If the FMATCH bit is set to 1, the receiver does not begin loading data into the FIFO until the receiver match character has been detected. The search for the receiver match character is in a sliding window fashion if register FDL_PR9 bit 4

(FALOCT) bit is 0 (align to octet), or only on octet boundaries if FALOCT is set to 1. The octet boundary is aligned relative to the first RFDLCK after the receiver has been enabled. The matched character and all subsequent bytes are placed in the receive FIFO. An FDL receiver reset, register FDL_PR1 bit 4 (FRR) = 1, causes the receiver to realign to the match character if FMATCH is set to 1.

The receiver full (FRF) and receiver overrun (FROVERUN) interrupts in register FDL_SR0 act as in the HDLC mode. The received end of frame (FEOF) and receiver idle (FRIDL) interrupts are not used in the transparent mode. The match status (FMSTAT) bit is set to 1 when the receiver match character is first recognized. If the FMATCH bit is 0, the FMSTAT (FDL_PR9 bit 3) bit is set to 1 automatically when the first bit is received, and the octet offset status bits (FDL_PR9 bit 0—bit 2) read 000. If the FMATCH bit is programmed to 1, the FMSTAT bit is set to 1 upon recognition of the first receiver match character, and the octet offset status bits indicate the offset relative to the octet boundary at which the receiver match character was recognized. The octet offset status bits have no meaning until the FMSTAT bit is set to 1. An octet offset of 111 indicates byte alignment.

An interrupt for recognition of the match character can be generated by setting the FRIL level to 1. Since the matched character is the first byte written to the FIFO, the FRF interrupt occurs with the writing of the match character to the receive FIFO.

The operation of the receiver in transparent mode is summarized in Table 44.

Table 44. Receiver Operation in Transparent Mode

FALOCT	FMATCH	Receiver Operation
X	0	Serial-to-parallel conversion begins with first RFDLCK after FRE, register FDL_PR1 bit 2, is set. Data loaded to receive FIFO immediately.
0	1	Match user-defined character using sliding window. Byte aligns once character is recognized. No data to receive FIFO until match is detected.
1	1	Match user-defined character, but only on octet boundary. Boundary based on first RFDLCK after FRE, register FDL_PR1 bit 2, set. No data to receive FIFO until match is detected.

Note: The match bit (FMATCH) affects both the transmitter and the receiver. Care should be taken to correctly program both the transmit idle character and the receive match character before setting FMATCH. If the transmit idle character is programmed to FF (hex), the FMATCH bit appears to affect only the receiver.

Facility Data Link (continued)

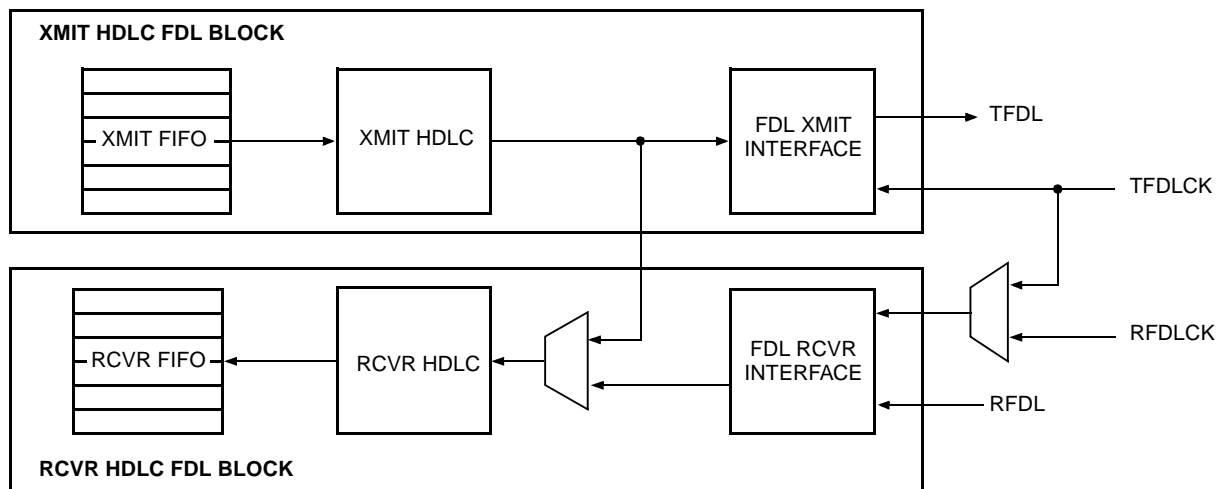
Diagnostic Modes

Loopbacks

The serial link interface can operate in two diagnostic loopback modes: (1) local loopback and (2) remote loopback. The local loopback mode is selected when register FDL_PR1 bit 1 (FLLB) is set to 1. The remote loopback is selected when register FDL_PR1 bit 0 (FRLB) is set to 1. For normal traffic, i.e., to operate the transmitter and receiver independently, the FLLP bit and the FRLB bits should both be cleared to 0. Local and remote loopbacks cannot be enabled simultaneously.

In the local loopback mode:

- TFDLCK clocks both the transmitter and the receiver.
- The transmitter and receiver must both be enabled.
- The transmitter output is internally connected to the receiver input.
- The TFDL is active.
- The RFDL input is ignored.
- The communication between the transmit and receive FIFO buffers and the microprocessor continues normally.



5-4562(F)r.2

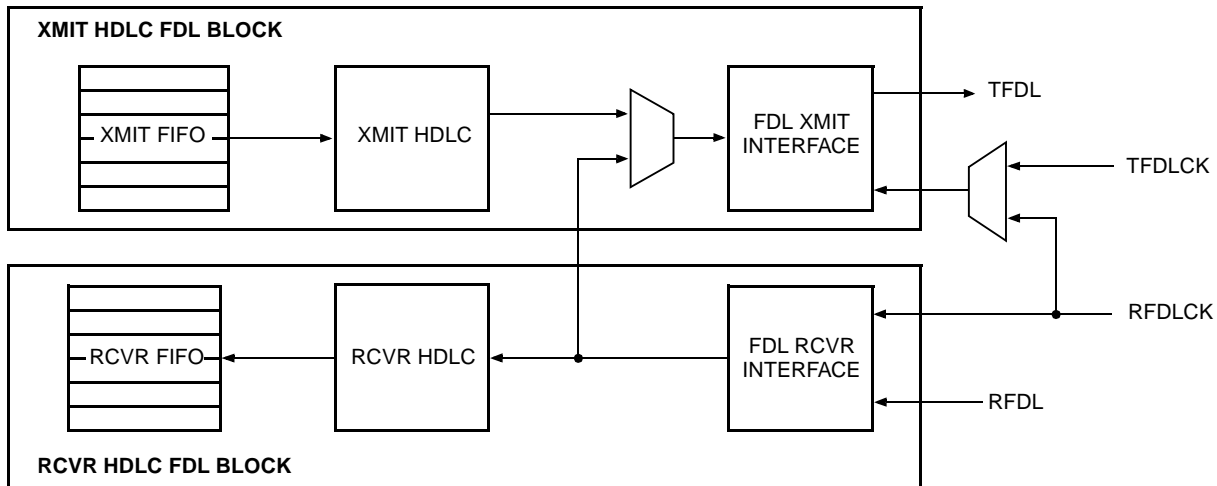
Figure 34. Local Loopback Mode

In the remote loopback mode:

- Transmitted data is retimed with a maximum delay of 2 bits.
- Received data is retransmitted on the TFDL.

The transmitter should be disabled. The receiver can be disabled or, if desired, enabled. Received data is sent as usual to the receive FIFO if the receiver is enabled

Facility Data Link (continued)



5-4563(F)r.1

Figure 35. Remote Loopback Mode

Phase-Lock Loop Circuit

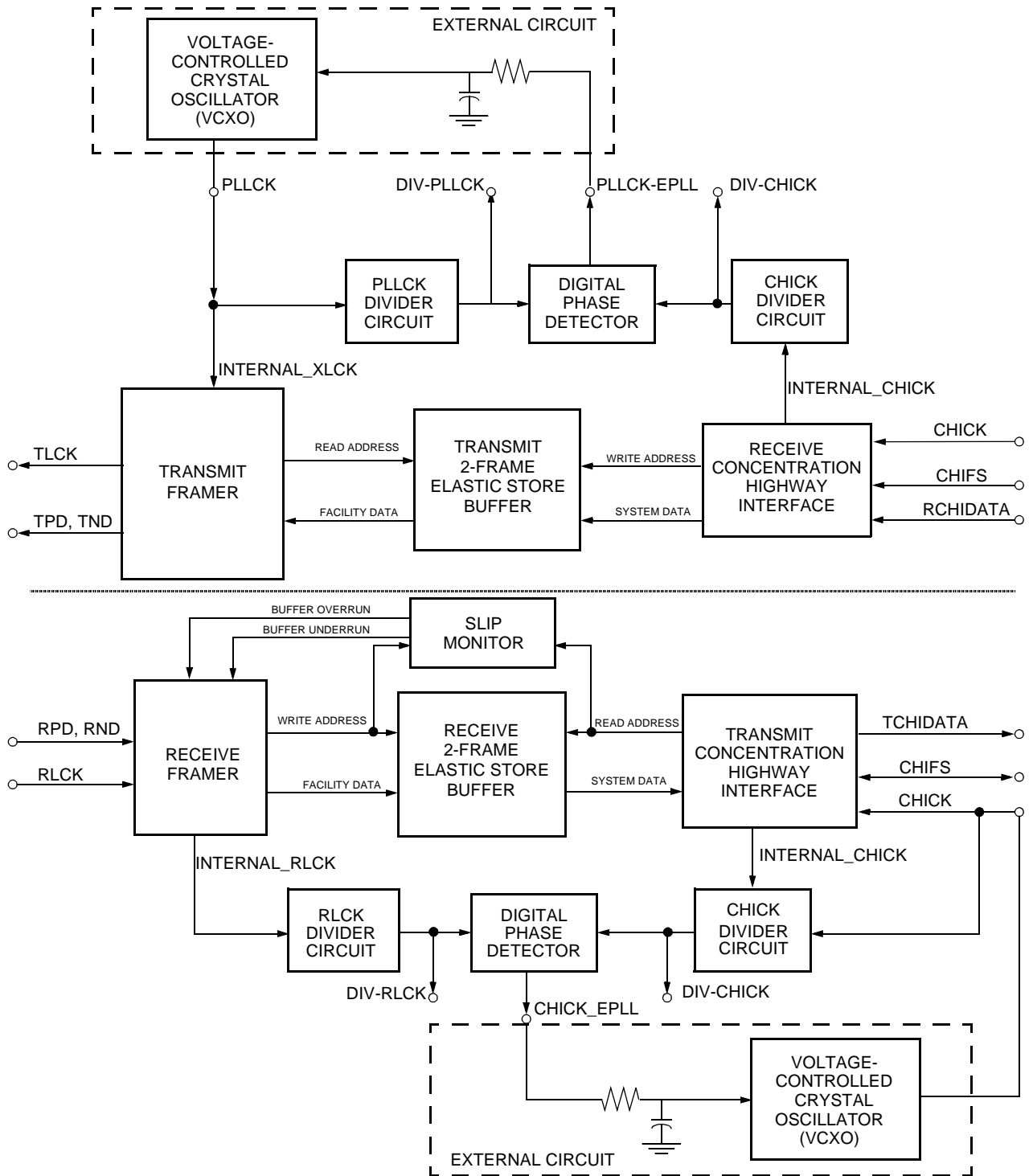
The TFRA08C13 allows for independent transmit path and receive path clocking. The device provides outputs to control variable clock oscillators on both the transmit and receive paths. As such, the system may have both the transmit and receive paths phase-locked to two autonomous clock sources.

The block diagram of the TFRA08C13 phase detector circuitry is shown in Figure 36. The TFRA08C13 uses elastic store buffers (two frames) to accommodate the transfer of data from the system interface clock rate of 2.048 Mb/s to the line interface clock rate of either 1.544 Mb/s or 2.048 Mb/s. The transmit line side of the TFRA08C13 does not have any mechanism to monitor data overruns or underruns (slips) in its elastic store buffer. This interface relies on the requirement that the PLLCK clock signal (variable) is phase-locked to the CHICK clock signal (reference). When this requirement is not met, uncontrolled slips may occur in the transmit elastic store buffer that would result in corrupting data and no indication will be given. Typically, a variable clock oscillator (VCXO) is used to drive the PLLCK signal. The TFRA08C13 provides a phase error signal (PLLCK-EPLL) that can be used to control the VCXO PLLCK. The PLLCK-EPLL signal is generated by monitoring the divided-down PLLCK (DIV-PLLCK) and CHICK (DIV-CHICK) signals. The DIV-CHICK signal is used as the reference to determine the phase difference between DIV-CHICK and DIV-PLLCK. While

DIV-CHICK and DIV-PLLCK are phase-locked, the PLLCK-EPLL signal is in a high-impedance state. A phase difference between DIV-CHICK and DIV-PLLCK drives PLLCK-EPLL to either 3.3 V or 0 V. An appropriate loop filter, for example, an RC circuit with $R = 1 \text{ k}\Omega$ and $C = 0.1 \text{ }\mu\text{F}$, is used to filter these PLLCK-EPLL pulses to control the VCXO.

The system can force CHICK to be phase-locked to RLCK by using RLCK as a reference signal to control a VCXO that is sourcing the CHICK signal. The TFRA08C13 uses the receive line signal (RLCK) as the reference and the CHICK signal as the variable signal. The TFRA08C13 provides a phase error signal (CHICK-EPLL) that can be used to control the VCXO generating CHICK. The CHICK-EPLL signal is generated by monitoring the divided-down CHICK signal (DIV-CHICK) and RLCK (DIV-RLCK) signals. The DIV-RLCK signal is used as the reference to determine the phase difference between DIV-CHICK and DIV-RLCK. While DIV-RLCK and DIV-CHICK are phase-locked, the CHICK-EPLL signal is in a high-impedance state. A phase difference between DIV-RLCK and DIV-CHICK drives CHICK-EPLL to either 3.3 V or 0 V. An appropriate loop filter, for example, an RC circuit with $R = 1 \text{ k}\Omega$ and $C = 0.1 \text{ }\mu\text{F}$, is used to filter these CHICK-EPLL pulses to control the VCXO. In this mode, the TFRA08C13 can be programmed to act as a master timing source and is capable of generating the system frame synchronization signal through the CHIFS pin and setting FRM_PR45 bit 4 to 1.

Phase-Lock Loop Circuit (continued)



5-5268(F).a

Figure 36. TFRA08C13 Phase Detector Circuitry

Framer-System Interface

DS1 Modes

The DS1 framing formats require rate adaptation from the 1.544 Mb/s line interface bit stream to the system interface which functions at multiples of a 2.048 Mb/s bit stream. The rate adaptation results in the need for eight stuffed time slots on the system interface since there are only 24 DS1 (1.544 Mb/s) payload time slots while there are 32 system (2.048 Mb/s) time slots. Placement of the stuffed time slots is defined by register FRM_PR43 bit 0—bit 2.

CEPT Modes

The framer maps the line time slots into the corresponding system time slot one-to-one. Framing time slot 0, the FAS and NFAS bytes, are placed in system time slot 0.

Receive Elastic Store

The receive interface between the framer and the system CHI includes a 2-frame elastic store buffer to enable rate adaptation. The receive line elastic store buffer contains circuitry that monitors the read and write pointers for potential data overrun and underrun (slips) conditions. Whenever this slip circuitry determines that a slip may occur in the receive elastic store buffer, it will adjust the read pointer such that a controlled slip is performed. The controlled slip is implemented by dropping or repeating a complete frame at the frame boundaries. The occurrence of controlled slips in the receive elastic store are indicated in the status register FRM_SR3 bit 6 and bit 7.

Transmit Elastic Store

The transmit interface between the framer and the system CHI includes a 2-frame elastic store buffer to enable rate adaptation. The line transmit clock applied to PLLCK[1—8] must be phase-locked to CHICK. No indication of a slip in the transmit elastic store is given.

Concentration Highway Interface

Each framer has a dual, high-speed, serial interface to the system known as the CHI. This flexible bus architecture allows the user to directly interface to other Lucent components which use this interface, as well as to *Mitel** and *AMD*† TDM highway interfaces, with no glue logic. Configured via the highway control registers FRM_PR45 through FRM_PR66, this interface can be set up in a number of different configurations.

The following is a list of the CHI features:

- Lucent Technologies standard interface for communication devices.
- Two pairs of transmit and receive paths to carry data in 8-bit time slots.
- Programmable definition of highways through offset and clock-edge options which are independent for transmit and receive directions.
- Programmable idle code substitution of received time slots.
- Programmable 3-state control of each transmit time slot.
- Independent transmit and receive framing signals to synchronize each direction of data flow.
- An 8 kHz frame synchronization signal internally generated from the received line clock.
- Compatible with *Mitel* and *AMD* PCM highways.

Supported is the optional configuration of the CHI which presents the signaling information along with the data in any framing modes when the device is programmed for the associated signaling mode (ASM). This mode is discussed in the signaling section.

Data can be transmitted or received on either one of two interface ports, called CHIDATA and CHIDATAB. The user-supplied clock (CHICLK) controls the timing on the transmit or receive paths. Individual time slots are referenced to the frame synchronization (CHIFS) pulse. Each frame consists of 32 time slots at a programmable data rate of 2.048 Mb/s, 4.096 Mb/s, or 8.192 Mb/s requiring a clock (CHICK) of the same rate. The clock and data rates of the transmit and receive highways are programmed independently.

* *Mitel* is a registered trademark of Mitel Corporation.

† *AMD* is a registered trademark of Advanced Micro Devices, Inc.

Concentration Highway Interface

(continued)

Rate adaptation is required for all DS1 formats between the 1.544 Mbits/s line rate and 2.048 Mbits/s, 4.966 Mbits/s, or 8.182 Mbits/s CHI rate. This is achieved by means of stuffing eight idle time slots into the existing twenty-four time slots of the T1 frame. Idle time slots can occur every fourth time slot (starting in

the first, second, third, or fourth time slot) or be grouped together at the end of the CHI frame as described in register FRM_PR43 bit 0—bit 2. The positioning of the idle time slots is the same for transmit and receive directions. Idle time slots contain the programmable code of register FRM_PR23. Unused time slots can be disabled by forcing the TCHIDATA interface to a high-impedance state for the interval of the disabled time slots.

CHI Parameters

The CHI parameters that define the receive and transmit paths are given in Table 45.

Table 45. Summary of the TFRA08C13's Concentration Highway Interface Parameters

Name	Description																				
HWYEN	Highway Enable (FRM_PR45 bit 7). A 1 in this bit enables the transmit and receive concentration highway interfaces. This allows the framer to be fully configured before transmission to the highway. A 0 forces the idle code as defined in register FRM_PR22, to be transmitted to the line in all payload time slots while TCHIDATA is forced to a high-impedance state for all CHI transmitted time slots.																				
CHIMM	Concentration Highway Master Mode (PRM_PR45 bit 4). The default mode CHIMM = 0 enables an external system frame synchronization signal (CHIFS) to drive the transmit CHI. A 1 enables the transmit CHI to generate a system frame synchronization signal from the receive line clock. The transmit CHI system frame synchronization signal is generated on the CHIFS output pin. Applications using the receive line clock as the reference clock signal of the system are recommended to enable this mode and use the CHIFS signal generated by the framer. The receive CHI path is not affected by this mode.																				
CHIDTS	CHI Double Time-Slot Mode (FRM_PR65 bit 1 and FRM_PR66 bit 1). CHIDTS defines the 4.096 Mbits/s and 8.192 Mbits/s CHI modes. CHIDTS = 0 enables the 32 contiguous time-slot mode. This is the default mode. CHIDTS = 1 enables the double time-slot mode in which the transmit CHI drives TCHIDATA for one time slot and then 3-states for the subsequent time slot, and the receive CHI latches data from RCHIDATA for one time slot and then ignores the following time slot and so on. CHIDTS = 1 allows two CHIs to interleave frames on a common bus.																				
TFE	Transmit Frame Edge (FRM_PR46 bit 3). TFE = 0 (or 1), CHIFS is sampled on the falling (or rising) edge of CHICK. In CHIMM (CHI master mode), the CHIFS pin outputs a transmit frame strobe to provide synchronization for TCHIDATA. When TFE = 1 (or 0), CHIFS is centered around rising (or falling) edge of CHICK. In this mode, CHIFS can be used for receive data on RCHIDATA. The timing for CHIFS in CHIMM = 1 mode is identical to the timing for CHIFS in CHIMM = 0 mode.																				
RFE	Receive Frame Edge (FRM_PR46 bit 7). RFE = 0 (or 1), CHIFS is sampled on the falling (or rising) edge of CHICK.																				
CDRS0—CDRS1	CHI Data Rate (FRM_PR45 bit 2 and bit 3). Two-bit control for selecting the CHI data rate. The default state (00) enables the 2.048 Mbits/s. <table border="0" style="margin-left: 40px;"> <tr> <td style="text-align: right;">CDRS Bit:</td> <td style="text-align: center;">2</td> <td style="text-align: center;">3</td> <td style="text-align: center;">CHI Data Rate</td> </tr> <tr> <td></td> <td style="text-align: center;">0</td> <td style="text-align: center;">0</td> <td style="text-align: center;">2.048 Mbits/s</td> </tr> <tr> <td></td> <td style="text-align: center;">0</td> <td style="text-align: center;">1</td> <td style="text-align: center;">4.096 Mbits/s</td> </tr> <tr> <td></td> <td style="text-align: center;">1</td> <td style="text-align: center;">0</td> <td style="text-align: center;">8.192 Mbits/s</td> </tr> <tr> <td></td> <td style="text-align: center;">1</td> <td style="text-align: center;">1</td> <td style="text-align: center;">Reserved</td> </tr> </table>	CDRS Bit:	2	3	CHI Data Rate		0	0	2.048 Mbits/s		0	1	4.096 Mbits/s		1	0	8.192 Mbits/s		1	1	Reserved
CDRS Bit:	2	3	CHI Data Rate																		
	0	0	2.048 Mbits/s																		
	0	1	4.096 Mbits/s																		
	1	0	8.192 Mbits/s																		
	1	1	Reserved																		

Concentration Highway Interface (continued)**Table 45. Summary of the TFRA08C13's Concentration Highway Interface Parameters** (continued)

Name	Description
TCE	Transmitter Clock Edge (FRM_PR47 bit 6). TCE = 0 (or 1), TCHIDATA is clocked on the falling (or rising) edge of CHICK.
RCE	Receiver Clock Edge (FRM_PR48 bit 6). RCE = 0 (or 1), RCHIDATA is latched on the falling (or rising) edge of CHICK.
TTSE31—TTSE0	Transmit Time-Slot Enable 31—0 (FRM_PR49—FRM_PR52). These bits define which transmit CHI time slots are enabled. A 1 enables the TCHIDATA or TCHIDATAB time slot. A 0 forces the CHI transmit highway time slot to be 3-stated.
RTSE31—RTSE0	Receive Time-Slot Enable 31—0 (FRM_PR53—FRM_PR56). These bits define which receive CHI time slots are enabled. A 1 enables the RCHIDATA or RCHIDATAB time slots. A 0 disables the time slot and transmits the programmable idle code of register FRM_PR22 to the line interface.
THS31—THS0	Transmit Highway Select 31—0 (FRM_PR57—FRM_PR60). These bits define which transmit CHI highway, TCHIDATA or TCHIDATAB, contains valid data for the active time slot. A 0 enables TCHIDATA; a 1 enables the TCHIDATAB.
RHS31—RHS0	Receive Highway Select 31—0 (FRM_PR61—FRM_PR64). These bits define which receive CHI highway, RCHIDATA or RCHIDATAB, contains valid data for the active time slot. A 0 enables RCHIDATA; a 1 enables the RCHIDATAB.
TOFF2—TOFF0	Transmitter Bit Offset (FRM_PR46 bit 0—bit 2). These bits are used in conjunction with the transmitter byte offset to define the beginning of the transmit frame. They determine the offset relative to TCHIFS, for the first bit of transmit time slot 0. The offset is the number of CHICK cycles by which the first bit is delayed.
ROFF2—ROFF0	Receiver Bit Offset (FRM_PR46 bit 4—bit 6). These bits are used in conjunction with the receiver byte offset to define the beginning of the receiver frame. They determine the offset relative to the RCHIFS, for the first bit of receive time slot 0. The offset is the number of CHICK cycles by which the first bit is delayed.
TBYOFF6—TBYOFF0	Transmitter Byte Offset (FRM_PR47 bit 0—bit 5 and FRM_PR65 bit 0). These bits determine the offset from the CHIFS to the beginning of the next frame on the transmit highway. Note that in the ASM mode, a frame consists of 64 contiguous bytes; whereas in other modes, a frame contains 32 contiguous bytes. Allowable offsets: 2.048 Mbits/s 0—31 bytes. 4.096 Mbits/s 0—63 bytes. 8.192 Mbits/s 0—127 bytes.
RBYOFF6—RBYOFF0	Receiver Byte Offset (FRM_PR48 bit 0—bit 5 and FRM_PR66 bit 0). These bits determine the offset from CHIFS to the beginning of the receive CHI frame. Note that in the ASM mode, a frame consists of 64 contiguous bytes; whereas in other modes, a frame contains 32 contiguous bytes. Allowable offsets: 2.048 Mbits/s 0—31 bytes. 4.096 Mbits/s 0—63 bytes. 8.192 Mbits/s 0—127 bytes.
ASM	Associated Signaling Mode (FRM_PR44 bit 2). When enabled, the associate signaling mode configures the CHI to carry both payload data and its associated signaling information. Enabling this mode must be in conjunction with the programming of the CHI data rate to either 4.048 Mbits/s or 8.096 Mbits/s. Each time slot consists of 16 bits where 8 bits are data and the remaining 8 bits are signaling information.
STS0—STS2	Stuffed Time Slots (FRM_PR43 bit 0—bit 2). Valid only in T1 framing formats, these 3 bits define the location of the eight stuffed CHI (unused) time slots.

Concentration Highway Interface (continued)

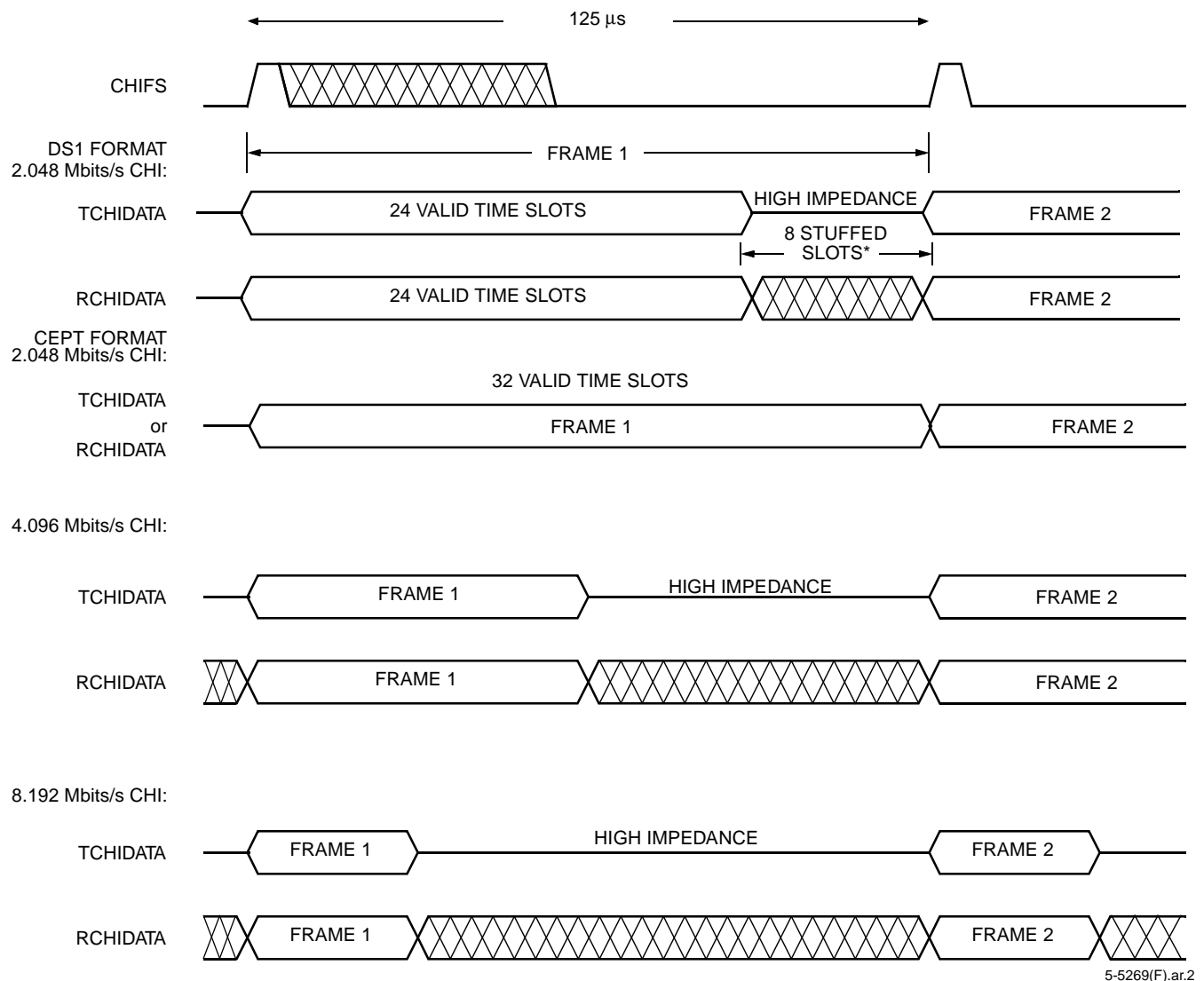
CHI Frame Timing

CHI Timing with CHIDTS Disabled

Figure 37 illustrates the CHI frame timing when CHIDTS is disabled (registers FRM_PR65 bit 1 (TCHIDTS) and FRM_PR66 bit 1 (RCHDTS) = 0) and the CHI is not in the associated signaling mode (FRM_PR44 bit 2 (ASM) = 0). The frames are 125 ms long and consist of 32 contiguous time slots.

In DS1 frame modes, the CHI frame consists of 24 payload time slots and eight stuffed (unused) time slots.

In CEPT frame modes, the CHI frame consists of 32 payload time slots.



* The position of the stuffed time is controlled by register FRM_PR43 bit 0—bit 2.

Figure 37. Nominal Concentration Highway Interface Timing (for FRM_PR43 bit 0—bit 2 = 100 (Binary))

Concentration Highway Interface (continued)

CHI Timing with CHIDTS Enabled

Figure 38 illustrates the CHI frame timing when CHIDTS is enabled (registers FRM_PR65 bit 1 (TCHIDTS) and FRM_PR66 bit 1 (RCHIDTS) = 1) and ASM is disabled (register FRM_PR44 bit 2 (ASM) = 0). In the CHIDTS mode, valid CHI payload time slots are alternated with high-impedance intervals of one time-slot duration. This mode is valid only for 4.096 Mbits/s and 8.192 Mbits/s CHI rates.

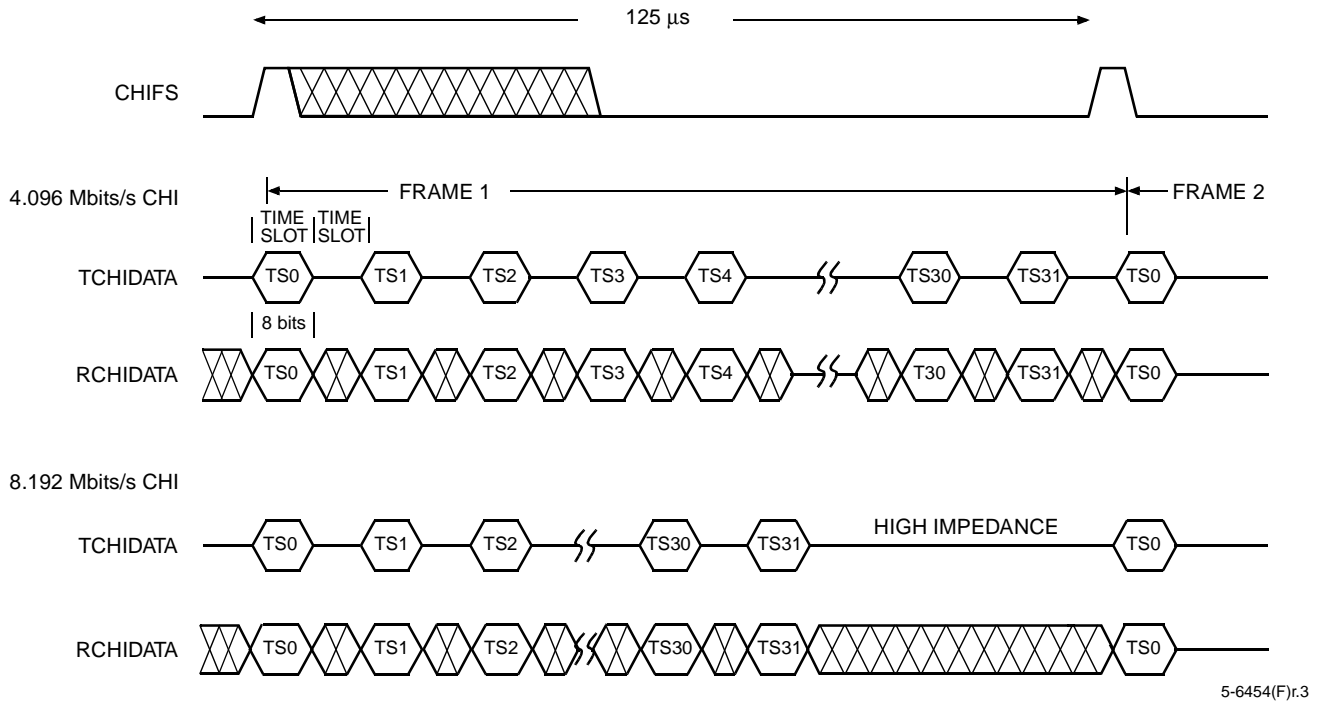


Figure 38. CHIDTS Mode Concentration Highway Interface Timing

Concentration Highway Interface (continued)

CHI Timing with Associated Signaling Mode Enabled

Figure 39 illustrates the CHI frame timing when the associated signaling mode is enabled (register FRM_PR44 bit 2 (ASM) = 1) and the CHIDTS mode is disabled (registers FRM_PR65 bit 1 (TCHIDTS) = 0 and FRM_PR66 bit 1 (RCHIDTS) = 0). The frames are 125 μ s long and consist of 32 contiguous 16-bit time slots.

In DS1 frame formats, each frame consists of 24 time slots and eight stuffed time slots. Each time slot consists of two octets.

In CEPT modes, each frame consists of 32 time slots. Each time slot consists of two octets.

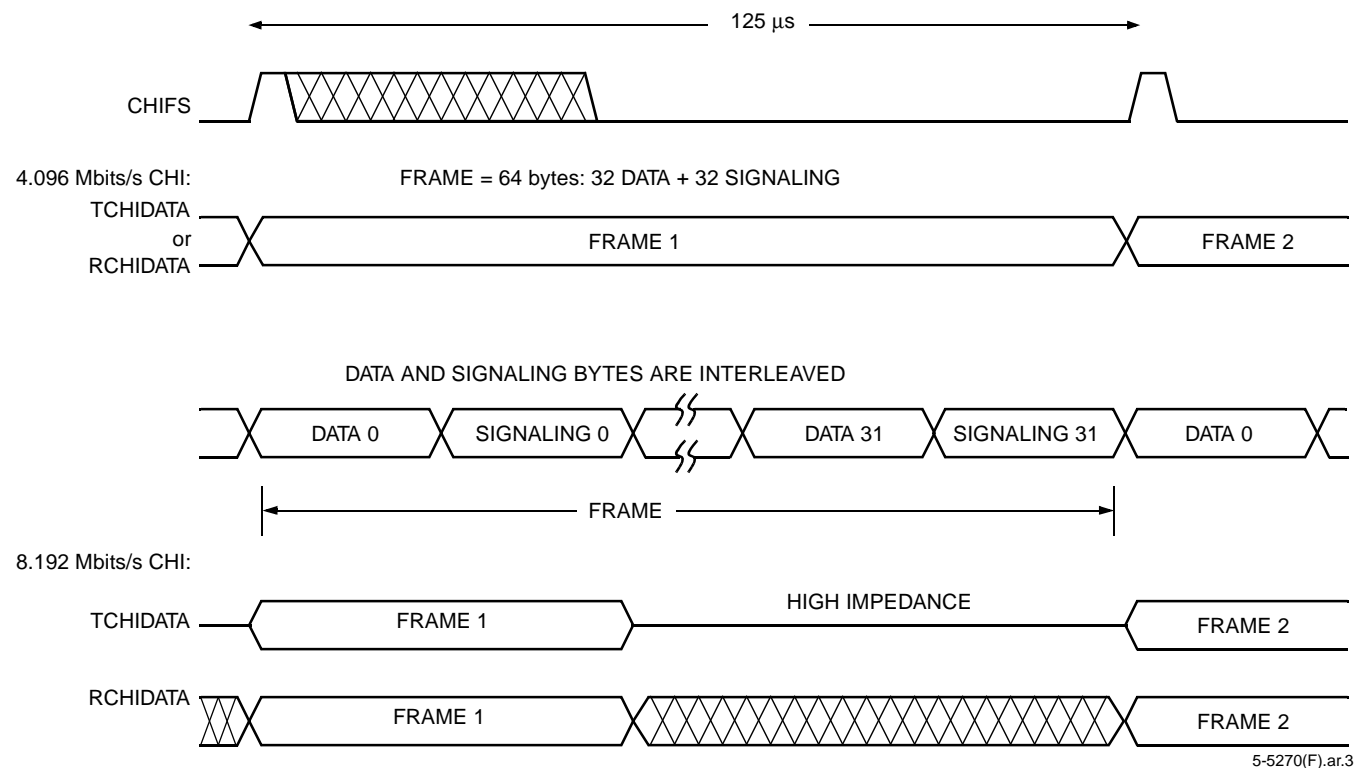
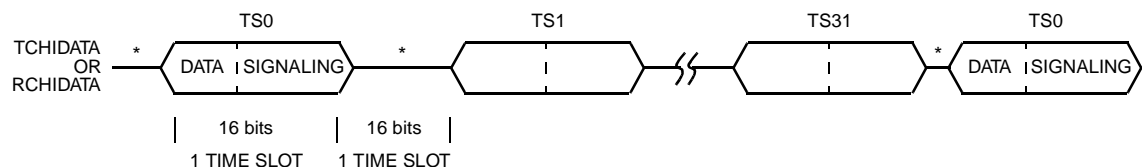


Figure 39. Associated Signaling Mode Concentration Highway Interface Timing

CHI Timing with Associated Signaling Mode and CHIDTS Enabled

Figure 40 illustrates the CHI frame timing in the associated signaling mode (register FRM_PR44 bit 2 (ASM) = 1) and CHIDTS enabled (registers FRM_PR65 bit 1 (TCHIDTS) = 1 and FRM_PR66 bit 1 (RCHIDTS) = 1).

8.192 Mbits/s CHI WITH ASM (ASSOCIATED SIGNALING MODE) ENABLED



* High-impedance state for TCHIDATA and not received (don't care) for RCHIDATA.

Figure 40. CHI Timing with ASM and CHIDTS Enabled

Concentration Highway Interface (continued)

CHI Offset Programming

To facilitate bit offset programming, two additional internal parameters are introduced: CEX is defined as the clock edge with which the first bit of time slot 0 is transmitted; CER is defined as the clock edge on which bit 0 of time slot 0 is latched. CEX and CER are counted relative to the edge on which the CHIFS signal is sampled. Values of CEX and CER depend upon the values of the parameters described above.

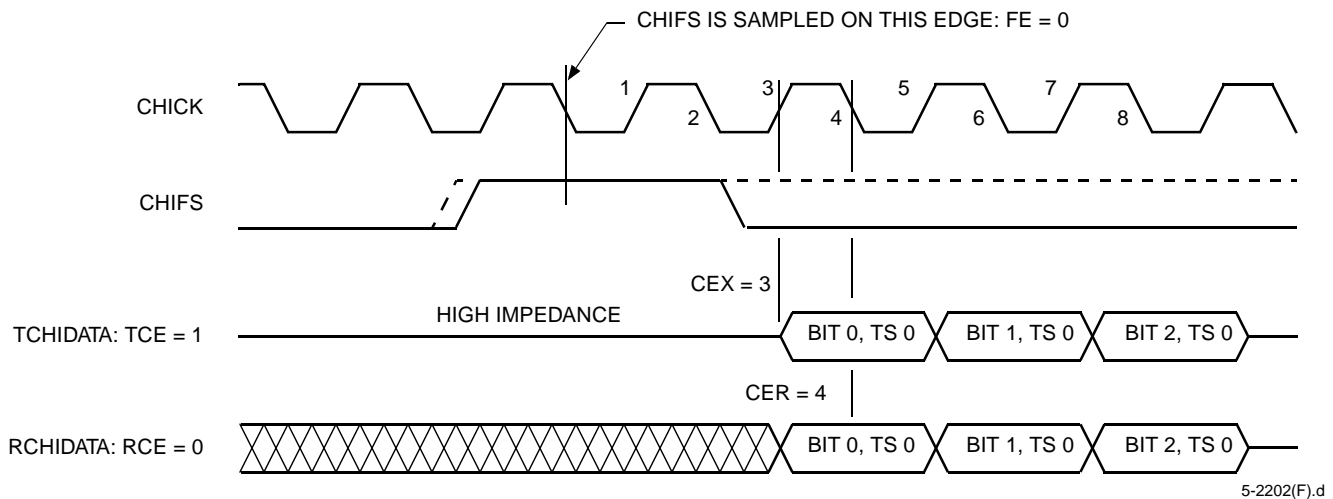
The following table gives decimal values of CEX and CER for various values of TFE, RFE, TCE, RCE, TOFF[2:0], and ROFF[2:0]. The byte (time slot) offsets are assumed to be zero in the following examples.

Table 46. Programming Values for TOFF[2:0] and ROFF[2:0] when CMS = 0

RFE/ TFE	RCE/ TCE	ROFF[2:0] or TOFF[2:0]								CER or CEX (decimal)
		000	001	010	011	100	101	110	111	
0	0	4	6	8	10	12	14	16	18	
0	1	3	5	7	9	11	13	15	17	
1	0	3	5	7	9	11	13	15	17	
1	1	4	6	8	10	12	14	16	18	

Figure 41 shows an example of the relative timing of CHI 2.048 Mbits/s data with the following parameters:

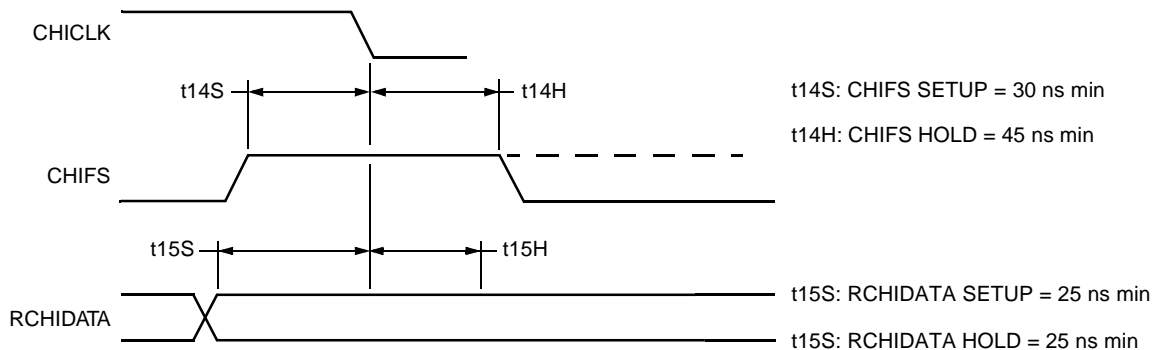
- CMS = 0, TFE, RFE = 0.
- TCE = 1, TOFF[2:0] = 000, TBYOFF[6:0] = 0000000.
- RCE = 0, ROFF[2:0] = 000, RBYOFF[6:0] = 0000000.



**Figure 41. TCHIDATA and RCHIDATA to CHICK Relationship with CMS = 0
(CEX = 3 and CER = 4, Respectively)**

Concentration Highway Interface (continued)

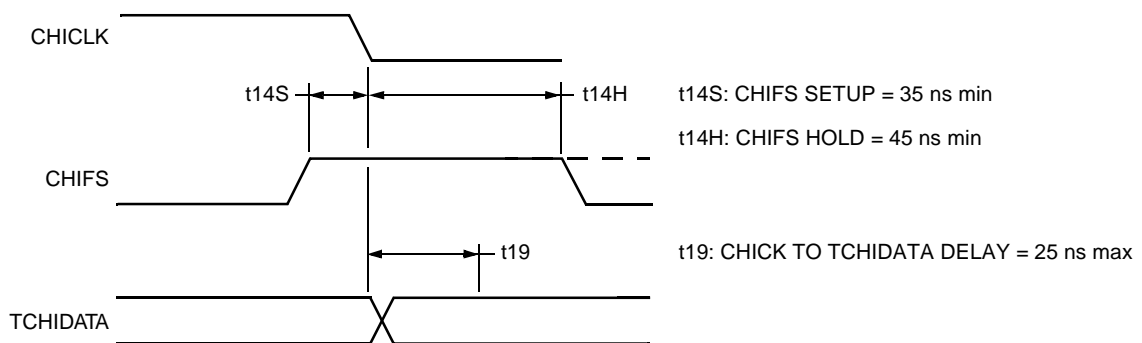
Figure 42 and Figure 43 illustrate the CHI timing.



5-3916(F).d

Note: For case illustrated, RFE = 0, and RCE = 0.

Figure 42. Receive CHI (RCHIDATA) Timing



5-3917(F).d

Note: For case illustrated, TFE = 0 and TCE = 0.

Figure 43. Transmit CHI (TCHIDATA) Timing

JTAG Boundary-Scan Specification

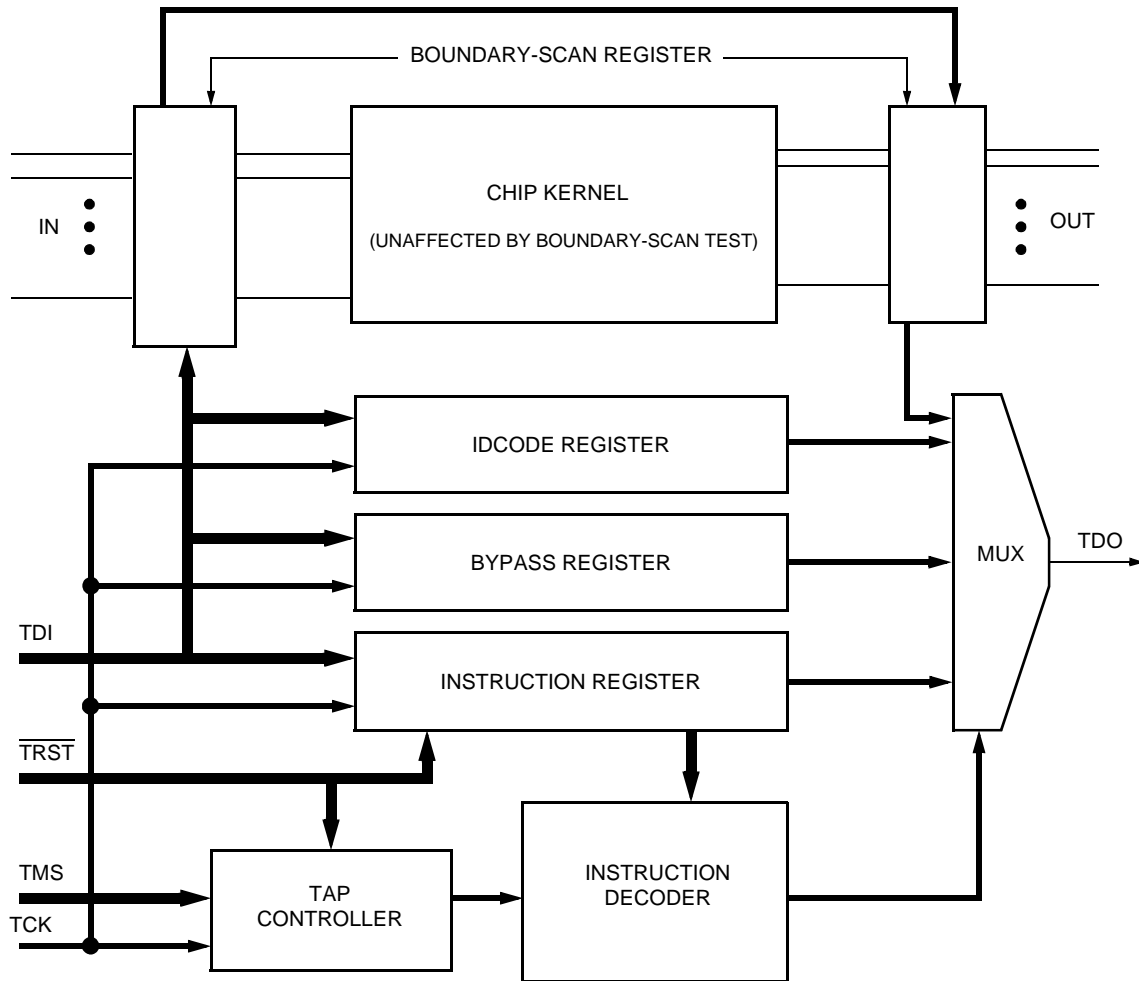
Principle of the Boundary Scan

The boundary scan (BS) is a test aid for chip, module, and system testing. The key aspects of BS are as follows:

- Testing the connections between ICs on a particular board.
- Observation of signals to the IC pins during normal operating functions.
- Controlling the built-in-self-test (BIST) of an IC. TFRA08C13 does not support BS-BIST.

Designed according to the *IEEE* Std. 1149.1-1990 standard, the BS test logic consists of a defined interface: the test access port (TAP). The TAP is made up of four signal pins assigned solely for test purposes. The fifth test pin ensures that the test logic is initialized asynchronously. The BS test logic also comprises a 16-state TAP controller, an instruction register with a decoder, and several test data registers (BS register, BYPASS register, and IDCODE register). The main component is the BS register that links all the chip pins to a shift register by means of special logic cells. The test logic is designed in such a way that it is operated independently of the application logic of the TFRA08C13 (the mode multiplexer of the BS output cells may be shared). Figure 44 illustrates the block diagram of the TFRA08C13's BS test logic.

JTAG Boundary-Scan Specification (continued)



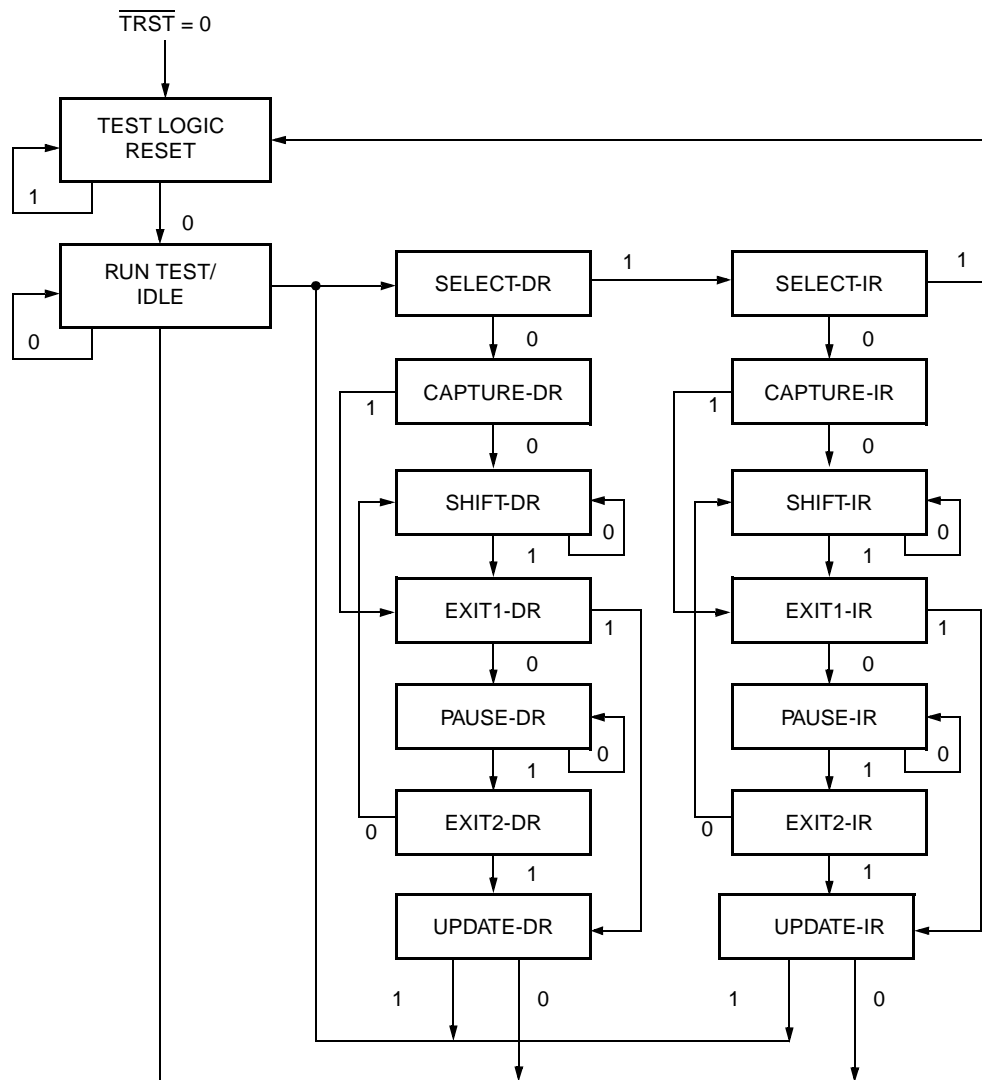
5-3923(F)r.4

Figure 44. Block Diagram of the TFRA08C13's Boundary-Scan Test Logic

JTAG Boundary-Scan Specification (continued)

Test Access Port Controller

The test access port controller is a synchronous sequence controller with 16 states. The state changes are preset by the TMS, TCK, and $\overline{\text{TRST}}$ signals and by the previous state. The state changes always take place when the TCK edge rises. Figure 45 shows the TAP controller state diagram.



5-3924(F)r.5

Figure 45. BS TAP Controller State Diagram

The value shown next to each state transition in Figure 45 represents the signal present at TMS at the time of a rising edge at TCK.

The description of the TAP controller states is given in *IEEE Std. 1149.1-1990* Section 5.1.2 and is reproduced in Table 49 and Table 50.

JTAG Boundary-Scan Specification (continued)**Table 47. TAP Controller States in the Data Register Branch**

Name	Description
TEST LOGIC RESET	The BS logic is switched in such a way that normal operation of the ASIC is adjusted. The IDCODE instruction is initialized by TEST LOGIC RESET. Irrespective of the initial state, the TAP controller has achieved TEST LOGIC RESET after five control pulses at the latest when TMS = 1. The TAP controller then remains in this state. This state is also achieved when TRST = 0.
RUN TEST/IDLE	Using the appropriate instructions, this state can activate circuit parts or initiate a test. All of the registers remain in their present state if other instructions are used.
SELECT-DR	This state is used for branching to the test data register control.
CAPTURE-DR	The test data is loaded in the test data register parallel to the rising edge of TCK in this state.
SHIFT-DR	The test data is clocked by the test data register serially to the rising edge of TCK in the state. The TDO output driver is active.
EXIT(1/2)-DR	This temporary state causes a branch to a subsequent state.
PAUSE-DR	The input and output of test data can be interrupted in this state.
UPDATE-DR	The test data is clocked into the second stage of the test data register parallel to the falling edge of TCK in this state.

Table 48. TAP Controller States in the Instruction Register Branch

Name	Description
SELECT-IR	This state is used for branching to the instruction register control.
CAPTURE-IR	The instruction code 0001 is loaded in the first stage of the instruction register parallel to the rising edge of TCK in this state.
SHIFT-IR	The instructions are clocked into the instruction register serially to the rising edge of TCK in the state. The TDO output driver is active.
EXIT(1/2)-IR	This temporary state causes a branch to a subsequent state.
PAUSE-IR	The input and output of instructions can be interrupted in this state.
UPDATE-IR	The instruction is clocked into the second stage of the instruction register parallel to the falling edge of TCK in this state.

JTAG Boundary-Scan Specification (continued)

Instruction Register

The instruction register (IR) is 4 bits in length. Table 49 shows the BS instructions implemented by the TFRA08C13.

Table 49. TFRA08C13's Boundary-Scan Instructions

Instruction	Code	Act. Register TDI→TDO	Mode	Function	Output Defined Via
EXTEST	0000	Boundary Scan	TEST	Test external connections	BS Register
IDCODE	0001	Identification	NORMAL	Read Manuf. Register	Core Logic
HIGHZ	0100	BYPASS	X	3-state	Output—High Impedance
SAMPLE/PRELOAD	0101	Boundary Scan	NORMAL	Sample/load	Core Logic
BYPASS	1111	BYPASS	NORMAL	Min. shift path	Core Logic
EVERYTHING ELSE	—	BYPASS	X	—	Output—High Impedance

The instructions not supported in TFRA08C13 are INTEST, RUNBIST, TOGGLE. A fixed binary 0001 pattern (the 1 into the least significant bit) is loaded into the IR in the capture-IR controller state. The IDCODE instruction (binary 0001) is loaded into the IR during the test-logic-reset controller state and at powerup.

The following is an explanation of the instructions supported by TFRA08C13 and their effect on the devices' pins.

EXTEST

This instruction enables the path cells, the pins of the ICs, and the connections between ASICs to be tested via the circuit board. The test data can be loaded in the chosen position of the BS register by means of the SAMPLE/PRELOAD instruction. The EXTEST instruction selects the BS register as the test data register. The data at the function inputs is clocked into the BS register on the rising edge of TCK in the CAPTURE-DR state. The contents of the BS register can be clocked out via TDO in the SHIFT-DR state. The value of the function outputs is solely determined by the contents of the data clocked into the BS register and only changes in the UPDATE-DR state on the falling edge of TCK.

DCODE

Information regarding the manufacturer's ID for Lucent, the IC number, and the version number can be read out serially by means of the IDCODE instruction. The IDCODE register is selected, and the BS register is set to normal mode in the UPDATE-IR state. The IDCODE is loaded at the rising edge of TCK in the CAPTURE-DR state. The IDCODE register is read out via TDO in the SHIFT-DR state.

HIGHZ

All 3-statable outputs are forced to a high-impedance state, and all bidirectional ports to an input state by means of the HIGHZ instruction. The impedance of the outputs is set to high in the UPDATE-IR state. The function outputs are only determined in accordance with another instruction if a different instruction becomes active in the UPDATE-IR state. The BYPASS register is selected as the test data register. The HIGHZ instruction is implemented in a similar manner to that used for the BYPASS instruction.

SAMPLE/PRELOAD

The SAMPLE/PRELOAD instruction enables all the input and output pins to be sampled during operation (SAMPLE) and the result to be output via the shift chain. This instruction does not impair the internal logic functions. Defined values can be serially loaded in the BS cells via TDI while the data is being output (PRELOAD).

JTAG Boundary-Scan Specification (continued)**BYPASS**

This instruction selects the BYPASS register. A minimal shift path exists between TDI and TDO. The BYPASS register is selected after the UPDATE-IR. The BS register is in normal mode. A 0 is clocked into the BYPASS register during CAPTURE-DR state. Data can be shifted by the BYPASS register during SHIFT-DR. The contents of the BS register do not change in the UPDATE-DR state. Please note that a 0 that was loaded during CAPTURE-DR appears first when the data is being read out.

Boundary-Scan Register

The boundary-scan register is a shift register, whereby one or more BS cells are assigned to every digital TFRA08C13 pin (with the exception of the pins for the BS architecture, analog signals, and supply voltages). The TFRA08C13's boundary-scan register bit-to-pin assignment is defined in the BSDL file, which is available upon request. Please call 1-800-TECKFAX (1-800-832-5329).

BYPASS Register

The BYPASS register is a one-stage shift register that enables the shift chain to be reduced to one stage in the TFRA08C13.

DCODE Register

The IDCODE register identifies the TFRA08C13 by means of a parallel, loadable, 32-bit shift register. The code is loaded on the rising edge of TCK in the CAPTURE-DR state. The 32-bit data is organized into four sections as follows.

Table 50. IDCODE Register

Version	Part Number	Manufacturer ID	1
Bits 31—28	Bits 27—12	Bits 11—1	Bit 0
0001	0111011000110100	00000011101	1

3-State Procedures

The 3-state input participates in the boundary scan. It has a BS cell, but buffer blocking via this input is suppressed for the EXTEST instruction. The 3-state input is regarded as a signal input that is to participate in the connection test during EXTEST. The buffer blocking function should not be active during EXTEST to ensure that the update pattern at the TFRA08C13 outputs does not become corrupted.

Microprocessor Interface

Overview

The TFRA08C13 device is equipped with a microprocessor interface that can operate with most commercially available microprocessors. The microprocessor interface provides access to all the internal registers through a 12-bit address bus and an 8-bit data bus. Input MPMODE (pin AF9) is used to configure this interface into one of two possible modes, as shown in Table 51. The MPMODE setting selects the associated set of control signals required to access a set of registers within the device.

The microprocessor interface can operate at speeds up to 33 MHz in interrupt-driven or polled mode without requiring any wait-states. For microprocessors operating at greater than 33 MHz, the RDY_DTACK output (pin V26) may be used to introduce wait-states in the read/write cycles.

In the interrupt-driven mode, one or more device alarms will assert the INTERRUPT output (pin AD9) once per alarm activation. After the microprocessor identifies the source(s) of the alarm(s) (by reading the

global interrupt register) and reads the specific alarm status registers, the INTERRUPT output will deassert. In the polled mode, however, the microprocessor monitors the various device alarm status by periodically reading the alarm status registers within the TFRA08C13 without the use of INTERRUPT. In both interrupt and polled methods of alarm servicing, the status registers within an identified block will clear on a microprocessor read cycle only when the alarm condition within that block no longer exists; otherwise, the alarm status register bit remains set.

The powerup default states for the line interface unit, framer, and the HDLC blocks are discussed in their respective sections. All read/write registers within these blocks must be written by the microprocessor on system start-up to guarantee proper device functionality. **Register addresses not defined in this data sheet must not be written.**

Details concerning the microprocessor interface configuration modes, pinout definitions, clock specifications, register address map, I/O timing specifications, and the I/O timing diagrams are described in the following sections.

Microprocessor Configuration Modes

Table 51 highlights the two microprocessor modes controlled by the MPMODE input (pin AF9)

Table 51. Microprocessor Configuration Modes

Mode	MPMODE	Generic Control, Data, and Output Pin Names
Mode 1	0	\overline{CS} , \overline{AS} , \overline{DS} , R/\overline{W} , A[11:0], D[7:0], INTERRUPT, \overline{DTACK}^*
Mode 3	1	\overline{CS} , \overline{ALE} , \overline{RD} , \overline{WR} , A[11:0], D[7:0], INTERRUPT, RDY

* The \overline{DTACK} signal is asynchronous to the MPCLK signal.

Microprocessor Interface (continued)**Microprocessor Interface Pinout Definitions**

The Mode [1 and 3] specific pin definitions are given in Table 52. Note that the microprocessor interface uses the same set of pins in all modes.

Table 52. Mode [1 and 3] Microprocessor Pin Definitions

Configuration	Pin Number	Device Pin Name	Generic Pin Name	Pin_Type	Assertion Sense	Function
Mode 1	V24	$\overline{WR_DS}$	\overline{DS}	Input	Active-Low	Data Strobe
	U26	$\overline{RD_R/W}$	R/W	Input	—	Read/Write R/W = 1 => Read R/W = 0 => Write
	U23	$\overline{ALE_AS}$	\overline{AS}	Input	Active-Low	Address Strobe
	U25	\overline{CS}	\overline{CS}	Input	Active-Low	Chip Select
	AD9	INTERRUPT	INTERRUPT ¹	Output	Active-High/ Low ²	Interrupt
	V26	$\overline{RDY_DTACK}$	\overline{DTACK} ³	Output	Active-Low	Data Acknowledge
	Note 4	D[7:0]	D[7:0]	I/O	—	Data Bus
	Note 4	A[11:0]	A[11:0]	Input	—	Address Bus
	AE10	MPCLK	MPCLK	Input	—	Microprocessor Clock
Mode 3	V24	$\overline{WR_DS}$	WR	Input	Active-Low	Write
	U26	$\overline{RD_R/W}$	RD	Input	Active-Low	Read
	U23	$\overline{ALE_AS}$	ALE	Input	Active-Low	Address Latch Enable
	U25	CS	CS	Input	Active-Low	Chip Select
	AD9	INTERRUPT	INTERRUPT ¹	Output	Active-High/ Low	Interrupt
	V26	$\overline{RDY_DTACK}$	RDY ⁵	Output	Active-High	Ready
	Note 4	D[7:0]	D[7:0]	I/O	—	Data Bus
	Note 4	A[11:0]	A[11:0]	Input	—	Address Bus
	AE10	MPCLK	MPCLK	Input	—	Microprocessor Clock

1. INTERRUPT output is synchronous to the internal clock source RLCK-LIU. If RLCK_LIU is absent, the reference clock for interrupt timing becomes an interval 2.048 MHz clock derived from the CHI clock.

2. In the default (reset) mode, INTERRUPT is active-high. It can be made active-low by setting register GREG4 bit 6 to 1.

3. The DTACK output is asynchronous to MPCLK.

4. See Table 2. Pin Descriptions.

5. MPCLK is needed if RDY output is required to be synchronous to MPCLK.

Microprocessor Clock (MPCLK) Specifications

The microprocessor interface is designed to operate at clock speeds up to 16 MHz without requiring any wait-states. Wait-states may be needed if higher microprocessor clock speeds are required. The microprocessor clock (MPCLK, pin AE10) specification is shown in Table 53. This clock must be supplied only if the RDY (MODE 3) is required to be synchronous to MPCLK.

Table 53. Microprocessor Input Clock Specifications

Name	Symbol	Period and Tolerance	Trise Typ	Tfall Typ	Duty Cycle		Unit
					Min High	Min Low	
MPCLK	t1	30 to 323	2	2	12	12	ns

Microprocessor Interface (continued)

Microprocessor Interface Register Address Map

The register address space is divided into thirteen (13) contiguous banks of 512 addressable units each. Each addressable unit is an 8-bit register. These register banks are labeled as REGBANK[0—12]. The register address map table gives the address range of these register banks and their associated circuit blocks. REGBANK0 contains the global registers which are common to all the circuit blocks on the TFRA08C13. REGBANK[1—8] are attached to the framer circuit blocks. REGBANK[9—12] are attached to the FDL circuit blocks. The descriptions of the individual register banks can be found in the appropriate sections of this document. In these descriptions, all addresses are given in hexadecimal. **Addresses out of the range specified by Table 54 must not be addressed. If they are written, they must be written to 0. An inadvertent write to an out-of-range address may be corrected by a device reset.**

Table 54. TFRA08C13 Register Address Map

Register Bank Label	Start Address (in Hex)	End Address (in Hex)	Circuit Block Name
REGBANK0	000	008	Octal Global Registers*
REGBANK1	200 2E0	2A6 2FF	Framer1
REGBANK2	300 3E0	3A6 3FF	Framer2
REGBANK3	400 4E0	4A6 4FF	Framer3
REGBANK4	500 5E0	5A6 5FF	Framer4
REGBANK5	600 6E0	6A6 6FF	Framer5
REGBANK6	700 7E0	7A6 7FF	Framer6
REGBANK7	800 8E0	8A6 8FF	Framer7
REGBANK8	900 9E0	9A6 9FF	Framer8
REGBANK9	A00 A20	A0E A2F	Facility Data Link 1 (FDL1) Facility Data Link 2 (FDL2)
REGBANK10	B00 B20	B0E B2F	Facility Data Link 3 (FDL3) Facility Data Link 4 (FDL4)
REGBANK11	C00 C20	C0E C2F	Facility Data Link 5 (FDL5) Facility Data Link 6 (FDL6)
REGBANK12	D00 D20	D0E D2F	Facility Data Link 7 (FDL7) Facility Data Link 8 (FDL8)

* Core registers are common to all circuit blocks on the TFRA08C13.

I/O Timing*

The I/O timing specifications for the microprocessor interface are given in Table 55. The microprocessor interface pins are compatible with CMOS/TTL I/O levels. All outputs, except the data bus D[7:0], are rated for a capacitive load of 50 pF. The D[7:0] outputs are rated for a 100 pF load.

* See *Product Advisory AY99-041* for more information.

Microprocessor Interface (continued)

Table 55. Microprocessor Interface I/O Timing Specifications

Symbol	Configuration	Parameter	Setup (ns) (Min)	Hold (ns) (Min)	Delay (ns) (Max)
t1	Mode 1	\overline{AS} Asserted Width	—	10	—
t2		Address Valid to \overline{AS} Deasserted	10	—	—
t3		\overline{AS} Deasserted to Address Invalid	—	10	—
t4		—	—	—	—
t5		R/W Valid to Both \overline{CS} and \overline{DS} Asserted	40	—	—
t6		Address Valid and \overline{AS} Asserted to \overline{DS} Asserted (Read)	5	—	—
t7		\overline{CS} Asserted to \overline{DTACK} Low Impedance	—	—	12
t8		\overline{DS} Asserted to \overline{DTACK} Asserted	—	—	15
t9		\overline{DS} Asserted to AD Low Impedance (Read)	—	—	19
t10		\overline{DTACK} Asserted to Data Valid	—	—	25
t11		\overline{DS} Deasserted to \overline{CS} Deasserted (Read)	—	8	—
t12		\overline{DS} Deasserted to R/W Invalid	—	5	—
t13		\overline{DS} Deasserted to \overline{DTACK} Deasserted	—	—	12
t14		\overline{CS} Deasserted to \overline{DTACK} High Impedance	—	—	10
t15		\overline{DS} Deasserted to Data Invalid (Read)	—	5	—
t16		Address Valid and \overline{AS} asserted to \overline{DS} Asserted (Write)	10	—	—
t17		Data Valid to \overline{DS} Asserted	10	—	—
t18		\overline{DS} Deasserted to \overline{CS} Deasserted (Write)	—	8	—
t19		\overline{DS} Deasserted to Data Valid	—	10	—
t20		\overline{DS} Asserted Width (Write)	—	10	—
t21		—	—	—	—
t22		—	—	—	—
t23		—	—	—	—
t24		—	—	—	—
t25		\overline{CS} Asserted to \overline{DS} Asserted (Write)	10	—	—

Note: The read and write timing diagrams for all four microprocessor interface modes are shown in Figure 46—Figure 49.

Microprocessor Interface (continued)

Table 55. Microprocessor Interface I/O Timing Specifications (continued)

Symbol	Configuration	Parameter	Setup (ns) (Min)	Hold (ns) (Min)	Delay (ns) (Max)
t31	Mode 3	$\overline{\text{ALE}}$ Asserted Width	—	10	—
t32		Address Valid to $\overline{\text{ALE}}$ Deasserted	10	—	—
t33		$\overline{\text{ALE}}$ Deasserted to Address Invalid	—	10	—
t34		$\overline{\text{CS}}$ Asserted to $\overline{\text{RD}}$ Asserted	5	—	—
t35		Address Valid and $\overline{\text{ALE}}$ Asserted to $\overline{\text{RD}}$ Asserted	5	—	—
t36		$\overline{\text{CS}}$ Asserted to RDY Low Impedance	—	—	12
t37		Rising Edge MPCK to RDY Asserted	—	—	15
t38		$\overline{\text{RD}}$ Asserted to AD Low Impedance	—	—	19
t39		$\overline{\text{RD}}$ Asserted to Data Valid	—	—	40
t40		$\overline{\text{RD}}$ Deasserted to $\overline{\text{CS}}$ Deasserted	—	5	—
t41		$\overline{\text{RD}}$ Deasserted to RDY Deasserted	—	—	15
t42		$\overline{\text{CS}}$ Deasserted to RDY High Impedance	—	—	10
t43		$\overline{\text{RD}}$ Deasserted to Data Invalid (High Impedance)	—	5	—
t44		$\overline{\text{CS}}$ Asserted to $\overline{\text{WR}}$ Asserted	6	—	—
t45		Address Valid and $\overline{\text{ALE}}$ Asserted to $\overline{\text{WR}}$ Asserted	10	—	—
t46		Data Valid to $\overline{\text{WR}}$ Asserted	10	—	—
t47		$\overline{\text{WR}}$ Deasserted to $\overline{\text{CS}}$ Deasserted	—	7	—
t48		$\overline{\text{WR}}$ Deasserted to RDY Deasserted	—	—	15
t49		$\overline{\text{WR}}$ Deasserted to Data Invalid	—	10	—
t50		$\overline{\text{RD}}$ Asserted Width	—	40	—
t51		$\overline{\text{WR}}$ Asserted Width	—	50	—
t52		—	—	—	—
t53		—	—	—	—
t54		—	—	—	—
t55		—	—	—	—

Note: The read and write timing diagrams for all four microprocessor interface modes are shown in Figure 46—Figure 49.

Microprocessor Interface (continued)

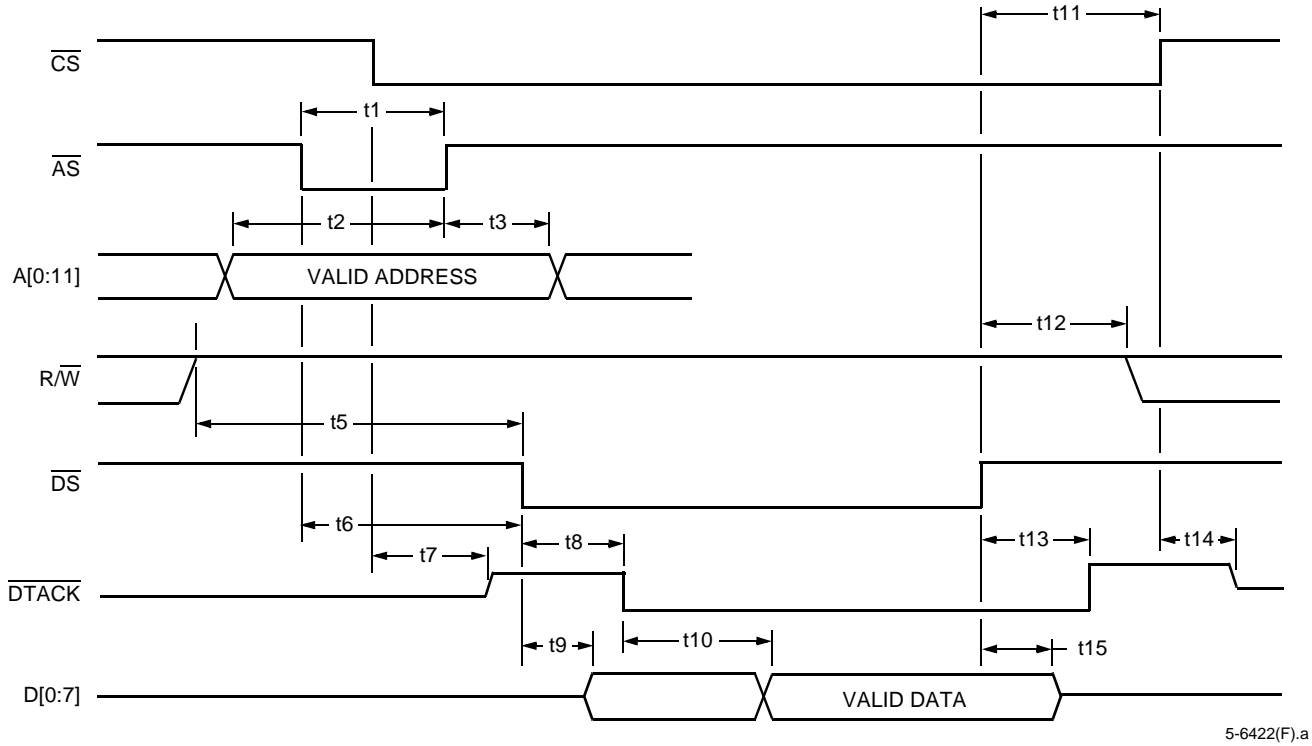


Figure 46. Mode 1—Read Cycle Timing (MPMODE = 0)

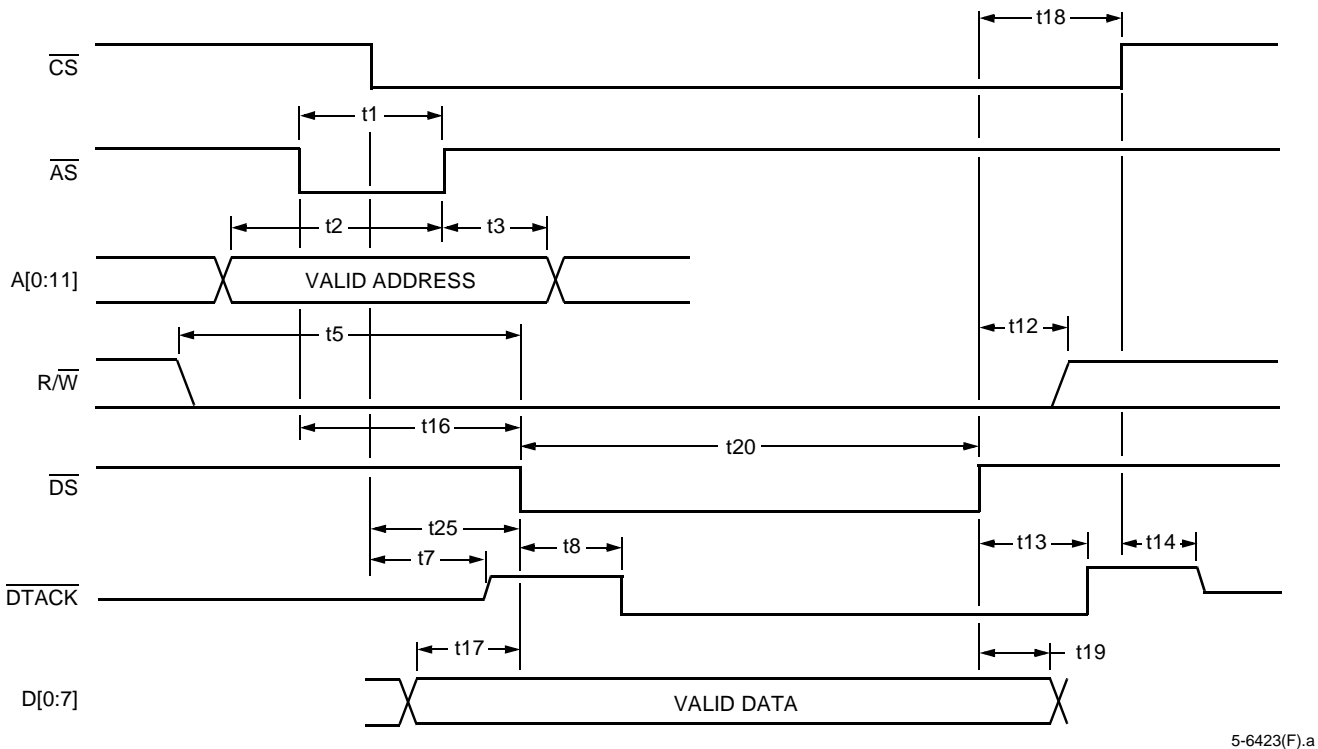
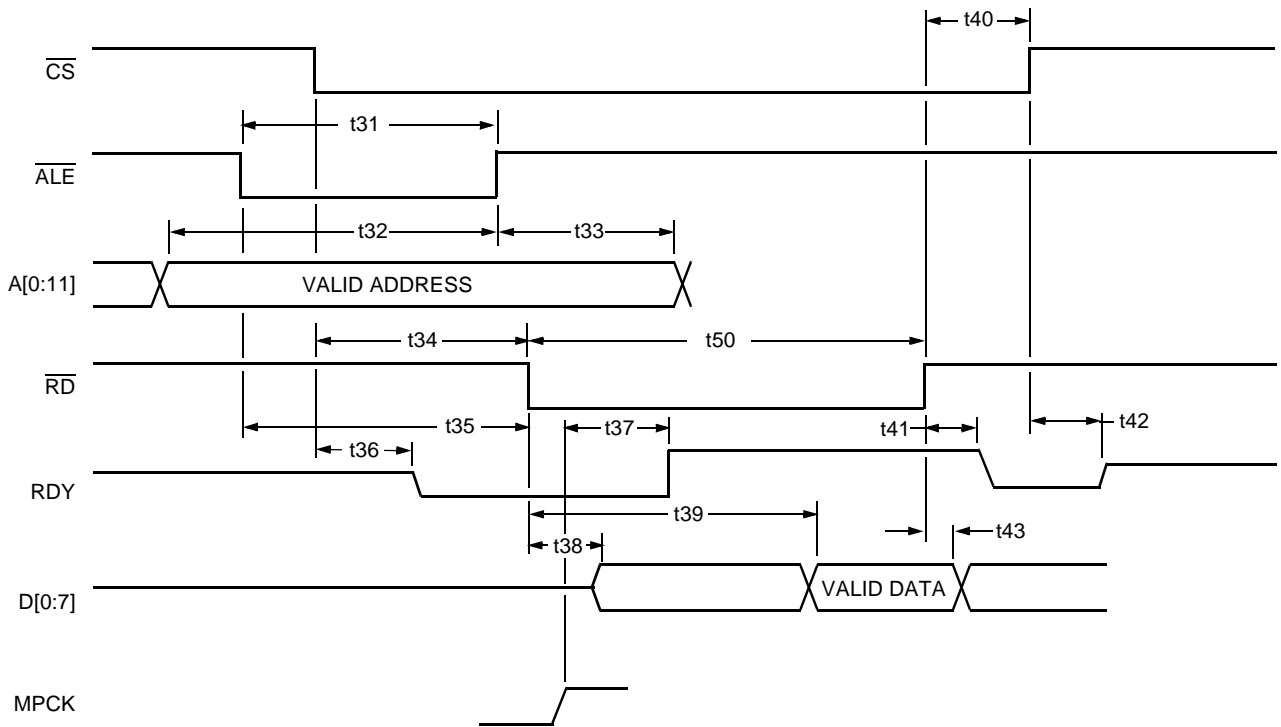


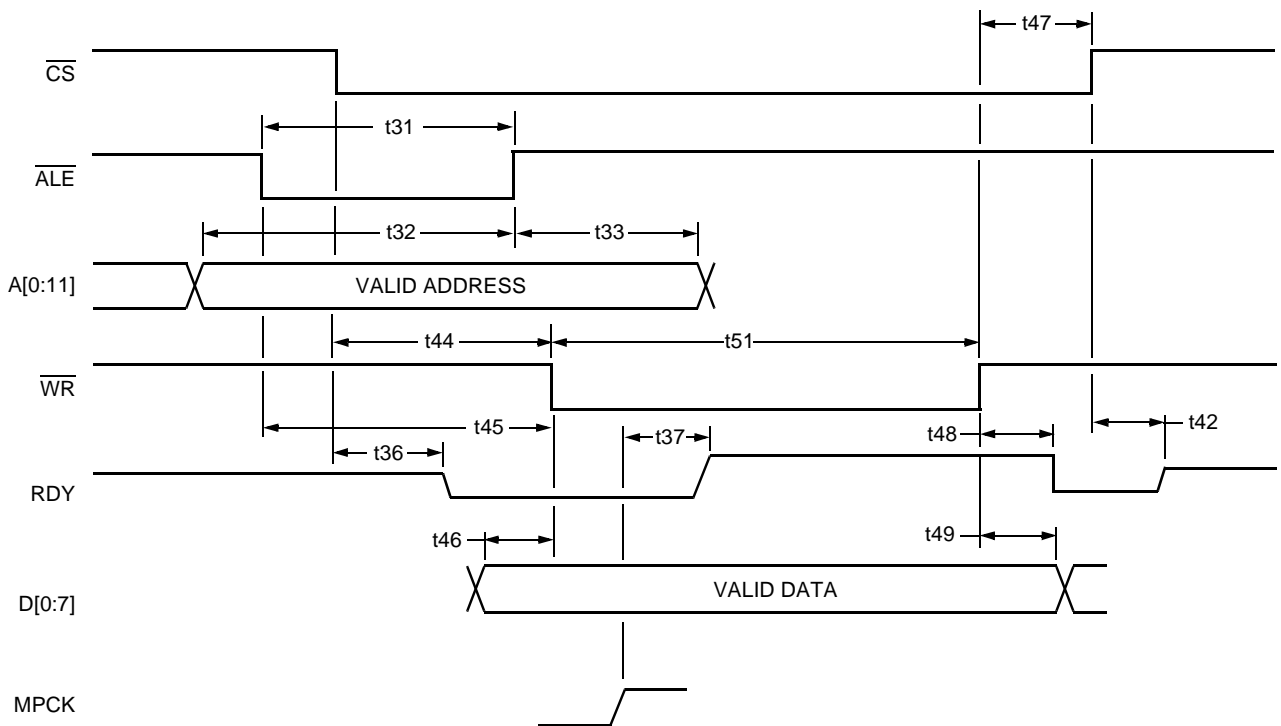
Figure 47. Mode 1—Write Cycle Timing (MPMODE = 0)

Microprocessor Interface (continued)



5-6426(F).a

Figure 48. Mode 3—Read Cycle Timing (MPPMODE = 1)



5-6427(F).a

Figure 49. Mode 3—Write Cycle Timing (MPPMODE = 1)

Reset

Both hardware and software resets are provided.

Hardware Reset (Pin C19)

Hardware reset is enabled by asserting $\overline{\text{RESET}}$ to 0. The device is in an inactive condition when $\overline{\text{RESET}}$ is 0, and becomes active when $\overline{\text{RESET}}$ is returned to 1. Eight cycles of the LIU receive line clock, i.e., 5.2 μs for T1 or 3.9 μs for E1, is required to guarantee a complete reset.

Hardware reset returns all framer and FDL registers to their default values, as listed in the individual register descriptions and register maps, (Table 182—Table 186). Hardware reset results in a complete device reset including a reset of the global registers.

Software Reset/Software Restart

Independent software reset for each functional block of the device is available. The framer may be reset through register FRM_PR26 bit 0 (SWRESET), or placed in restart through FRM_PR26 bit 1 (SWRESTART). The FDL receiver may be reset through register FDL_PR26 bit 1 (FRR), and the FDL transmitter may be reset through FDL_PR1 bit 5 (FTR). The reset functions, framer SWRESET (framer software reset), FDL FRR (FDL receiver reset), and FTR (FDL transmitter reset), reset the block and return all parameter/control registers for the block to their default values. The restart function framer SWRESTART (framer software restart), resets the block but does not alter the value of the parameter/control registers.

Interrupt Generation

An interrupt may be generated by any of the conditions reported in the status registers. For a bit (condition) in a status register to create an interrupt, the corresponding interrupt enable bit must be set and the interrupt block enable in the global register for the source block must be set, see Table 56 below. Once the source interrupt register is read, the interrupt for that condition is deasserted.

Table 56. Status Register and Corresponding Interrupt Enable Register for Functional Blocks

Functional Block	Status Register	Interrupt Enable Register
Primary Block	GREG0	GREG1
Framer	FRM_SR0—FRM_SR7	FRM_PR0—FRM_PR7
Facility Data Link	FDL_SR0	FDL_PR2

Default for interrupt assertion is a logical 1 (high) value. But the assertion value and deasserted state is programmable through register GREG4 bit 4 and bit 6 and may take on the following state, see Table 57 below.

Table 57. Asserted Value and Deasserted State for GREG4 Bit 4 and Bit 6 Logic Combinations

Greg4		Interrupt (Pin AD-8)		Functionality
Bit 4	Bit 6	Asserted Value	Deasserted Value	
0	0	High	Low	—
1	0	High	3-state	Wired-OR
0	1	Low	High	—
1	1	Low	3-state	Wired-AND

Register Architecture

Table 58 is an overview of the register architecture. The table is a summary of the register function and address. Complete detail of each register is given in the following sections.

Table 58. Register Summary

Register	Function	Register Address (hex)*
		Channel 1—8
Global Registers		
GREG0	Framer Block Interrupt Status	000
GREG1	Framer Block Interrupt Enable	001
GREG2	FDL Block Interrupt Status	002
GREG3	FDL Block Interrupt Enable	003
GREG4	Global Control	004
GREG5	Device ID and Version	005
GREG6	Device ID and Version	006
GREG7	Device ID and Version	007
GREG8	Global Control	008
GREG9	Global PLLCK Control	009
Framer Registers		
Status Registers		
FRM_SR0	Interrupt Status	Y00
FRM_SR1	Facility Alarm Condition	Y01
FRM_SR2	Remote End Alarm	Y02
FRM_SR3	Facility Errored Event	Y03
FRM_SR4	Facility Event	Y04
FRM_SR5	Exchange Termination and Exchange Termination Remote End Interface Status	Y05
FRM_SR6	Network Termination and Network Termination Remote End Interface Status	Y06
FRM_SR7	Facility Event	Y07
FRM_SR8, FRM_SR9	Bipolar Violation Counter	Y08, Y09
FRM_SR10, FRM_SR11	Framing Bit Error Counter	Y0A, Y0B
FRM_SR12, FRM_SR13	CRC Error Counter	Y0C, Y0D
FRM_SR14, FRM_SR15	E-bit Counter	Y0E, Y0F
FRM_SR16, FRM_SR17	CRC-4 Error at NT1 from NT2 Counter	Y10, Y11
FRM_SR18, FRM_SR19	E-bit at NT1 from NT2 Counter	Y12, Y13
FRM_SR20, FRM_SR21	ET Errored Seconds Counter	Y14, Y15

* The most significant digit, designated by Y, is used to identify each framer (for framer 1—framer 8, Y = 2—9, respectively).

Register Architecture (continued)**Table 58. Register Summary** (continued)

Register	Function	Register Address (hex)*
		Channel 1—8
Framer Registers (continued)		
Status Registers (continued)		
FRM_SR22, FRM_SR23	ET Bursty Errored Seconds Counter	Y16, Y17
FRM_SR24, FRM_SR25	ET Severely Errored Seconds Counter	Y18, Y19
FRM_SR26, FRM_SR27	ET Unavailable Seconds Counter	Y1A, Y1B
FRM_SR28, FRM_SR29	ET-RE Errored Seconds Counter	Y1C, Y1D
FRM_SR30, FRM_SR31	ET-RE Bursty Errored Seconds Counter	Y1E, Y1F
FRM_SR32, FRM_SR33	ET-RE Severely Errored Seconds Counter	Y20, Y21
FRM_SR34, FRM_SR35	ET-RE Unavailable Seconds Counter	Y22, Y23
FRM_SR36, FRM_SR37	NT1 Errored Seconds Counter	Y24, Y25
FRM_SR38, FRM_SR39	NT1 Bursty Errored Seconds Counter	Y26, Y27
FRM_SR40, FRM_SR41	NT1 Severely Errored Seconds Counter	Y28, Y29
FRM_SR42, FRM_SR43	NT1 Unavailable Seconds Counter	Y2A, Y2B
FRM_SR44, FRM_SR45	NT1-RE Errored Seconds Counter	Y2C, Y2D
FRM_SR46, FRM_SR47	NT1-RE Bursty Errored Seconds Counter	Y2E, Y2F
FRM_SR48, FRM_SR49	NT1-RE Severely Errored Seconds Counter	Y30, Y31
FRM_SR50, FRM_SR51	NT1-RE Unavailable Seconds Counter	Y32, Y33
FRM_SR52	Receive NOT-FAS TS0	Y34
FRM_SR53	Received Sa	Y35
FRM_SR54— FRM_SR63	SLC-96 FDL/CEPT Sa Receive Stack	Y36—Y3F
Received Signaling Registers		
FRM_RSR0— FRM_RSR31	Received Signaling	Y40—Y5F

* The most significant digit, designated by Y, is used to identify each framer (for framer 1—framer 8, Y = 2—9, respectively).

Register Architecture (continued)

Table 58. Register Summary (continued)

Register	Function	Register Address (hex)*
		Channel 1—8
Framer Registers (continued)		
Parameter/Control Registers		
FRM_PR0— FRM_PR7	Interrupt Group Enable	Y60—Y67
FRM_PR8	Framer Mode Option	Y68
FRM_PR9	Framer CRC Control Option	Y69
FRM_PR10	Alarm Filter	Y6A
FRM_PR11	Errored Second Threshold	Y6B
FRM_PR12, FRM_PR13	Severely Errored Second Threshold	Y6C, Y6D
FRM_PR14	Errored Event Enable	Y6E
FRM_PR15	ET Remote End Errored Event Enable	Y6F
FRM_PR16	NT1 Errored Event Enable	Y70
FRM_PR17, FRM_PR18	NT1 Remote End Errored Event Enable	Y71, Y72
FRM_PR19	Automatic AIS to the System and Automatic Loopback Enable	Y73
FRM_PR20	Transmit to the Line Command	Y74
FRM_PR21	Framer FDL Loopback Transmission Codes Command	Y75
FRM_PR22	Framer Transmit Line Idle Code	Y76
FRM_PR23	Framer Transmit System Idle Code	Y77
FRM_PR24	Primary Loopback Control	Y78
FRM_PR25	Secondary Loopback Control	Y79
FRM_PR26	System Frame Sync Mask Source	Y7A
FRM_PR27	Transmission of Remote Frame Alarm and CEPT Automatic Transmission of A bit = 1 Control	Y7B
FRM_PR28	CEPT Automatic Transmission of E bit = 0	Y7C
FRM_PR29	Sa4—Sa8 Source	Y7D
FRM_PR30	Sa4—Sa8 Control	Y7E
FRM_PR31— FRM_PR40	Sa Transmit Stack/ <i>SLC-96</i> Transmit Stack	Y7F—Y88
FRM_PR41	Si-bit Source	Y89
FRM_PR42	Frame Exercise	Y8A
FRM_PR43	System Interface Control	Y8B
FRM_PR44	Signaling Mode	Y8C
FRM_PR45	CHI Common Control	Y8D
FRM_PR46	CHI Common Control	Y8E
FRM_PR47	CHI Transmit Control	Y8F
FRM_PR48	CHI Receive Control	Y90

* The most significant digit, designated by Y, is used to identify each framer (for framer 1—framer 8, Y = 2—9, respectively).

Register Architecture (continued)

Table 58. Register Summary (continued)

Register	Function	Register Address (hex)*	
		Channel 1—8	
Framer Registers (continued)			
Parameter/Control Registers (continued)			
FRM_PR49— FRM_PR52	Transmit CHI Time-Slot Enable	Y91—Y94	
FRM_PR53— FRM_PR56	Receive CHI Time-Slot Enable	Y95—Y98	
FRM_PR57— FRM_PR60	CHI Transmit Highway Select	Y99—Y9C	
FRM_PR61— FRM_PR64	CHI Receive Highway Select	Y9D—YA0	
FRM_PR65	CHI Transmit Control	YA1	
FRM_PR66	CHI Receive Control	YA2	
FRM_PR69	Auxiliary Pattern Generator Control	YA5	
FRM_PR70	Auxiliary Pattern Detector Control	YA6	
Transmit Signaling Registers			
FRM_TSR0— FRM_TSR31	Transmit Signaling	YE0—YF7	
Facility Data Link Registers			
FDL Parameter/Control Registers		Register Address (hex)†	
		FDL 1 FDL 3 FDL 5 FDL 7	FDL 2 FDL 4 FDL 6 FDL 8
FDL_PR0	FDL Configuration Control	Y00	Y20
FDL_PR1	FDL Control	Y01	Y21
FDL_PR2	FDL Interrupt Mask Control	Y02	Y22
FDL_PR3	FDL Transmitter Configuration Control	Y03	Y23
FDL_PR4	FDL Transmitter FIFO	Y04	Y24
FDL_PR5	FDL Transmitter Mask	Y05	Y25
FDL_PR6	FDL Receive Interrupt Level Control	Y06	Y26
FDL_PR7	Not Assigned	—	—
FDL_PR8	FDL Receive Match Character	Y08	Y28
FDL_PR9	FDL Transparent Control	Y09	Y29
FDL_PR10	FDL Transmit ANS/ESF Bit Codes	Y0A	Y2A
FDL Status Registers			
FDL_SR0	FDL Interrupt Status	Y0B	Y2B
FDL_SR1	FDL Transmitter Status	Y0C	Y2C
FDL_SR2	FDL Receiver Status	Y0D	Y2D
FDL_SR3	FDL ANS/ Bit Codes Status	Y0E	Y2E
FDL_SR4	FDL Receive FIFO	Y07	Y27

* The most significant digit, designated by Y, is used to identify each framer (for framer 1—framer 8, Y = 2—9, respectively).

† For FDL 1 and FDL 2, Y = A; for FDL 3 and FDL 4, Y = B; for FDL 5 and FDL 6, Y = C; for FDL 7 and FDL 8, Y = D.

Global Register Architecture

REGBANK0 contains the status and programmable control registers for all global functions. The address of these registers is 000 (hex) to 009 (hex). These registers control the eight channels of the TFRA08C13.

The register bank architecture is shown in Table 59. The register bank consists of 8-bit registers classified as primary block interrupt status register, primary block interrupt enable register, global loopback control register, global terminal control register, device identification register, and global internal interface control register.

Table 59. Global Register Set (0x000—0x009)

Global Register Address (hex)	Bit 7	Bit 6	Bit 5	Bit 4	Bit 3	Bit 2	Bit 1	Bit 0
000	FRMR8_I NT (0)	FRMR7_I NT (0)	FRMR6_I NT (0)	FRMR5_I NT (0)	FRMR4_I NT (0)	FRMR3_I NT (0)	FRMR2_I NT (0)	FRMR1_I NT (0)
001	FRMR8IE (0)	FRMR7IE (0)	FRMR6IE (0)	FRMR5IE (0)	FRMR4IE (0)	FRMR3IE (0)	FRMR2IE (0)	FRMR1IE (0)
002	FDL8_INT (0)	FDL7_INT (0)	FDL6_INT (0)	FDL5_INT (0)	FDL4_INT (0)	FDL3_INT (0)	FDL2_INT (0)	FDL1_INT (0)
003	FDL8IE (0)	FDL7IE (0)	FDL6IE (0)	FDL5IE (0)	FDL4E (0)	FDL3IE (0)	FDL2IE (0)	FDL1IE (0)
004	Reserved (0)	IPC (0)	Reserved (0)	ITSC (0)	Reserved (0)	SECCTRL 0 (0)	SECCTRL 1 (0)	SECCTRL 2 (0)
005	1	1	1	1	1	0	0	0
006	0	0	0	0	0	0	1	1
007	0	0	0	0	0	0	0	1
008	Reserved (0)	DIVMUX0 (0)	DIVMUX1 (0)	DIVMUX2 (0)	Reserved (0)	LOMUX0 (0)	LOMUX1 (0)	LOMUX2 (0)
009	EIPLLCK8 (0)	EIPLLCK7 (0)	EIPLLCK6 (0)	EIPLLCK5 (0)	EIPLLCK4 (0)	EIPLLCK3 (0)	EIPLLCK2 (0)	EIPLLCK1 (0)

* The following section describes the global registers in Table 60—Table 67.

Global Register Structure

Framer Block Interrupt Status Register (GREG0)

A bit set to 1 indicates the block has recently generated an interrupt. **This register is cleared on read.**

Table 60. Framer Block Interrupt Status Register (GREG0) (000)

Bit	Symbol	Description
0	FRMR1_INT	Framer 1 Interrupt. A 1 indicates framer 1 generated an interrupt.
1	FRMR2_INT	Framer 2 Interrupt. A 1 indicates framer 2 generated an interrupt.
2	FRMR3_INT	Framer 3 Interrupt. A 1 indicates framer 3 generated an interrupt.
3	FRMR4_INT	Framer 4 Interrupt. A 1 indicates framer 4 generated an interrupt.
4	FRMR5_INT	Framer 5 Interrupt. A 1 indicates framer 5 generated an interrupt.
5	FRMR6_INT	Framer 6 Interrupt. A 1 indicates framer 6 generated an interrupt.
6	FRMR7_INT	Framer 7 Interrupt. A 1 indicates framer 7 generated an interrupt.
7	FRMR8_INT	Framer 8 Interrupt. A 1 indicates framer 8 generated an interrupt.

Global Register Structure (continued)**Framer Block Interrupt Enable Register (GREG1)**

This register enables the individual blocks to assert the interrupt pin high.

Table 61. Framer Block Interrupt Enable Register (GREG1) (001)

Bit	Symbol	Description
0	FRMR1IE	Framer 1 Interrupt Enable. A 1 enables framer 1 interrupts.
1	FRMR2IE	Framer 2 Interrupt Enable. A 1 enables framer 2 interrupts.
2	FRMR3IE	Framer 3 Interrupt Enable. A 1 enables framer 3 interrupts.
3	FRMR4IE	Framer 4 Interrupt Enable. A 1 enables framer 4 interrupts.
4	FRMR5IE	Framer 5 Interrupt Enable. A 1 enables framer 5 interrupts.
5	FRMR6IE	Framer 6 Interrupt Enable. A 1 enables framer 6 interrupts.
6	FRMR7IE	Framer 7 Interrupt Enable. A 1 enables framer 7 interrupts.
7	FRMR8IE	Framer 8 Interrupt Enable. A 1 enables framer 8 interrupts.

FDL Block Interrupt Status Enable Register (GREG2)**Table 62. FDL Block Interrupt Status Register (GREG2) (002)**

Bit	Symbol	Description
0	FDL1_INT	Facility Data Link 1 Interrupt. A 1 indicates FDL1 generated an interrupt.
1	FDL2_INT	Facility Data Link 2 Interrupt. A 1 indicates FDL2 generated an interrupt.
2	FDL3_INT	Facility Data Link 3 Interrupt. A 1 indicates FDL3 generated an interrupt.
3	FDL4_INT	Facility Data Link 4 Interrupt. A 1 indicates FDL4 generated an interrupt.
4	FDL5_INT	Facility Data Link 5 Interrupt. A 1 indicates FDL5 generated an interrupt.
5	FDL6_INT	Facility Data Link 6 Interrupt. A 1 indicates FDL6 generated an interrupt.
6	FDL7_INT	Facility Data Link 7 Interrupt. A 1 indicates FDL7 generated an interrupt.
7	FDL8_INT	Facility Data Link 8 Interrupt. A 1 indicates FDL8 generated an interrupt.

FDL Block Interrupt Enable Register (GREG3)

This register enables the individual blocks to assert the interrupt pin high.

Table 63. FDL Block Interrupt Enable Register (GREG3) (003)

Bit	Symbol	Description
0	FDL1IE	Facility Data Link 1 Interrupt Enable. A 1 enables FDL 1 interrupts.
1	FDL2IE	Facility Data Link 2 Interrupt Enable. A 1 enables FDL 2 interrupts.
2	FDL3IE	Facility Data Link 3 Interrupt Enable. A 1 enables FDL 3 interrupts.
3	FDL4IE	Facility Data Link 4 Interrupt Enable. A 1 enables FDL 4 interrupts.
4	FDL5IE	Facility Data Link 5 Interrupt Enable. A 1 enables FDL 5 interrupts.
5	FDL6IE	Facility Data Link 6 Interrupt Enable. A 1 enables FDL 6 interrupts.
6	FDL7IE	Facility Data Link 7 Interrupt Enable. A 1 enables FDL 7 interrupts.
7	FDL8IE	Facility Data Link 8 Interrupt Enable. A 1 enables FDL 8 interrupts.

Global Register Structure (continued)

Global Control Register (GREG4)

This register selects the source of the output second pulse (bit 0—bit 2), interrupt 3-state control (bit 4), and interrupt polarity (bit 6).

Table 64. Global Control Register (GREG4) (004)

Bit	Symbol	Description	
0	SECCTRL2	Second Output Control. These bits determine which framer is used to source the output SECOND pin: Bit 0 Bit 1 Bit 2 0 0 0: FRAMER 1 sources the SECOND pin. 0 0 1: FRAMER 2 sources the SECOND pin. 0 1 0: FRAMER 3 sources the SECOND pin. 0 1 1: FRAMER 4 sources the SECOND pin. 1 0 0: FRAMER 5 sources the SECOND pin. 1 0 1: FRAMER 6 sources the SECOND pin. 1 1 0: FRAMER 7 sources the SECOND pin. 1 1 1: FRAMER 8 sources the SECOND pin.	
1	SECCTRL1		
2	SECCTRL0		
3	—		Reserved.
4	ITSC		INTERRUPT 3-State Control. This bit along with bit 6 in this register (polarity control) allows the interrupt pin to be programmed for active HIGH, active LOW, wire-OR, or wire-AND operation, as described below: Bit 4 Bit 6 0 0 Programs the interrupt pin to be active HIGH (1-state) when there is an interrupt condition and to be inactive LOW (0-state) when the condition goes away. 0 1 Programs the interrupt pin to be active LOW (0-state) when there is an interrupt condition and to be inactive HIGH (1-state) when the condition goes away. 1 0 Programs the interrupt pin to be active HIGH (1-state) when there is an interrupt condition and to be inactive HIGH-Z (3-state) when the condition goes away. 1 1 Programs the interrupt pin to be active LOW (0-state) when there is an interrupt condition and to be inactive HIGH-Z (3-state) when the condition goes away.
5	—		Reserved.
6	IPC		Interrupt Polarity Control. A 1 inverts the polarity of the interrupt pin (negative polarity).
7	—		Reserved.

Device ID and Version Registers (GREG5—GREG7)

These bits define the device and version number of this framer circuit.

Table 65. Device ID and Version Registers (GREG5—GREG7) (005—007)

	Register	Bit 7	Bit 6	Bit 5	Bit 4	Bit 3	Bit 2	Bit 1	Bit 0
Device Code	GREG5	1	1	1	1	1	0	0	0
Device Code	GREG6	0	0	0	0	0	0	1	1
Version #	GREG7	0	0	0	0	0	0	1	0

Global Register Structure (continued)**Global Control Register (GREG8)**

Table 66. Global Control Register (GREG8) (008)

Bit	Symbol	Description	
0	LOMUX2	Loss of Clock Output Control. These bits determine which framer is used to source the output LORLCK and LOPLLCK pin: Bit 0 Bit 1 Bit 2 0 0 0: FRAMER 1 sources the LORLCK and LOPLLCK pins. 0 0 1: FRAMER 2 sources the LORLCK and LOPLLCK pins. 0 1 0: FRAMER 3 sources the LORLCK and LOPLLCK pins. 0 1 1: FRAMER 4 sources the LORLCK and LOPLLCK pins. 1 0 0: FRAMER 5 sources the LORLCK and LOPLLCK pins. 1 0 1: FRAMER 6 sources the LORLCK and LOPLLCK pins. 1 1 0: FRAMER 7 sources the LORLCK and LOPLLCK pins. 1 1 1: FRAMER 8 sources the LORLCK and LOPLLCK pins.	
1	LOMUX1		
2	LOMUX0		
3	—		Reserved.
4	DIVMUX2		Divide Clocks Output Control. These bits determine which framer is used to source the output DIV-RLCK, DIV-PLLCK, DIV-CHICK, CHICK-EPLL, and PLLCK-EPLL pins: Bit 0 Bit 1 Bit 2 0 0 0: FRAMER 1 sources the DIV-RLCK, DIV-PLLCK, DIV-CHICK, CHICK-EPLL and PLLCK-EPLL pins. 0 0 1: FRAMER 2 sources the DIV-RLCK, DIV-PLLCK, DIV-CHICK, CHICK-EPLL and PLLCK-EPLL pins. 0 1 0: FRAMER 3 sources the DIV-RLCK, DIV-PLLCK, DIV-CHICK, CHICK-EPLL and PLLCK-EPLL pins. 0 1 1: FRAMER 4 sources the DIV-RLCK, DIV-PLLCK, DIV-CHICK, CHICK-EPLL and PLLCK-EPLL pins. 1 0 0: FRAMER 5 sources the DIV-RLCK, DIV-PLLCK, DIV-CHICK, CHICK-EPLL and PLLCK-EPLL pins. 1 0 1: FRAMER 6 sources the DIV-RLCK, DIV-PLLCK, DIV-CHICK, CHICK-EPLL and PLLCK-EPLL pins. 1 1 0: FRAMER 7 sources the DIV-RLCK, DIV-PLLCK, DIV-CHICK, CHICK-EPLL and PLLCK-EPLL pins. 1 1 1: FRAMER 8 sources the DIV-RLCK, DIV-PLLCK, DIV-CHICK, CHICK-EPLL and PLLCK-EPLL pins.
5	DIVMUX1		
6	DIVMUX0		
7	—	Reserved.	

Global Register Structure (continued)

Global PLLCK Control Register (GREG9)

This register selectively enables/disables an individual transmit framer's internal clock synthesizer. setting all bits to 0 (the default condition) disables all transmit framer clock synthesizers, and allows an external source of PLLCK to drive the transmit framers.

Table 67. Global PLLCK Control Register (GREG9) (009)

Bit	Symbol	Description
0	EIPLLCK1	Enable Transmit Framer 1's Internal PLLCK Clock Synthesizer.
1	EIPLLCK2	Enable Transmit Framer 2's Internal PLLCK Clock Synthesizer.
2	EIPLLCK3	Enable Transmit Framer 3's Internal PLLCK Clock Synthesizer.
3	EIPLLCK4	Enable Transmit Framer 4's Internal PLLCK Clock Synthesizer.
4	EIPLLCK5	Enable Transmit Framer 5's Internal PLLCK Clock Synthesizer.
5	EIPLLCK6	Enable Transmit Framer 6's Internal PLLCK Clock Synthesizer.
6	EIPLLCK7	Enable Transmit Framer 7's Internal PLLCK Clock Synthesizer.
7	EIPLLCK8	Enable Transmit Framer 8's Internal PLLCK Clock Synthesizer.

Framer Register Architecture

REGBANK1—REGBANK8 contain the status and programmable control registers for the framer and system CHI interface channels FRM1—FRM8. The base address for REGBANK1—REGBANK8 is Y00 (hex), where Y = 2—9 for FRM1—FRM8, respectively. Within these register banks, the bit map is identical for FRM1—FRM8.

The framer registers are structures as shown in Table 68. Default values are given in the individual register definition tables.

Table 68. Framer Status and Control Blocks Address Range (Hexadecimal)

Framer Register Block
Status Registers (COR) (Y00—Y3F)*
Receive Signaling Registers (Y40—Y5F)*
Parameter (Configuration) Registers (Y60—YA6)*
Transmit Signaling Registers (YE0—YFF)*

* The most significant digit, designated by Y, is used to identify each framer (for framer 1—framer 8, Y = 2—9, respectively).

The complete register map for the framer is given in Table 182—Table 186. The address of the registers is shown in the table title with the most significant digit, designated by Y, used to identify each framer (for framer 1—framer 8, Y = 2—9, respectively).

All status registers are clocked with the internal framer receive line clock (RFRMCK).

Bits in status registers FRM_SR1 and FRM_SR7 are set at the onset of the condition and are cleared on read when the given condition is no longer present. These registers can generate interrupts if the corresponding register bits are enabled in interrupt enable registers FRM_PR0—FRM_PR7.

On all 16-bit counter registers (FRM_SR8—FRM_SR51), both bytes are cleared only after reading both bytes. These status registers are two byte register pairs. These register pairs must be read in succession, with the lower byte read first followed by a read of higher byte. Once a read is initiated on one of the bytes, the updating of that counter is disabled and remains disabled until both bytes are read. All events during this interval are lost. Updating of the counter registers is stopped when all of the bits are set to 1. Updating resumes after the registers are cleared on read. These register pairs may be read in any order, but they must be read in pairs, i.e., a read of 1 byte must be followed immediately by a read of the remaining byte of the pair.

Status registers FRM_SR0—FRM_SR63 are clear-on-read (COR) registers. These registers are cleared by the framer internal received line clock (RFRMCK). At least two RFRMCK cycles (1.3 μ s for DS1 and 1.0 μ s for CEPT) must be allowed between successive reads of the same COR register to allow it to properly clear.

Framer Register Architecture (continued)**Framer Status/Counter Registers**

Registers FRM_SR0—FRM_SR63 report the status of each framer. All are clear-on-read, read-only registers.

Interrupt Status Register (FRM_SR0)

The interrupt pin (INTERRUPT) goes active when a bit in this register and its associated interrupt enable bit in registers FRM_PR0—FRM_PR7 are set, and the interrupt for the framer block is enabled in register GREG1.

Table 69. Interrupt Status Register (FRM_SR0) (Y00)

Bit	Symbol	Description
0	FAC	Facility Alarm Condition. A 1 indicates a facility alarm occurred (go read FRM_SR1).
1	RAC	Remote Alarm Condition. A 1 indicates a remote alarm occurred (go read FRM_SR2).
2	FAE	Facility Alarm Event. A 1 indicates a facility alarm occurred (go read FRM_SR3 and FRM_SR4).
3	ESE	Errored Second Event. A 1 indicates an errored second event occurred (go read FRM_SR5, FRM_SR6, and FRM_SR7).
4	TSSFE	Transmit Signaling Superframe Event. A 1 indicates that a MOS superframe block has been transmitted and the transmit signaling data buffers are ready for new data.
5	RSSFE	Receive Signaling Superframe Event. A 1 indicates that a MOS superframe block has been received and the receive signaling data buffers must be read.
6	—	Reserved.
7	S96SR	SLC-96 Stack Ready. A 1 indicates that either the transmit framer <i>SLC-96</i> stack is ready for more data or the receive framer <i>SLC-96</i> stack contains new data.

Framer Register Architecture (continued)

Facility Alarm Condition Register (FRM_SR1)

The bits in the facility alarm condition register (FRM_SR1) indicate alarm state of the receive framer section. Interrupts from this register are generated once at the onset of the alarm condition. If the alarm condition is still present at the time of the read, the bit will remain in the 1 state for the duration of the alarm condition. If the alarm condition is no longer present at the time of the read, then the bit is cleared on read.

Table 70. Facility Alarm Condition Register (FRM_SR1) (Y01)

Bit	Symbol	Description
0	LFA	Loss of Frame Alignment. A 1 indicates the receive framer is in a loss of frame alignment and is currently searching for a new alignment.
1	LSFA	Loss of Signaling Superframe Alignment. A 1 indicates the receive framer is in a loss of signaling superframe alignment in the DS1 framing formats. A search for a new signaling superframe alignment starts once frame alignment is established.
	LTS16MFA	Loss of Time Slot 16 Signaling Multiframe Alignment. A 1 indicates the receive framer is in a loss of time slot 16 signaling multiframe alignment in the CEPT mode. A search for a new time slot 16 signaling multiframe alignment starts once frame alignment is established. This bit is 0 when the TFRA08C13 is programmed for the transparent signaling mode, register FRM_PR44 bit 0 (TSIG) = 1.
2	LTSFA	Loss of Transmit Superframe Alignment. A 1 indicates superframe alignment pattern in the transmit facility data link as defined for <i>SLC-96</i> is lost. Only valid for <i>SLC-96</i> mode. This bit is 0 in all other DS1 modes.
	LTS0MFA	Loss of Time Slot 0 CRC-4 Multiframe Alignment. A 1 indicates an absence of CRC-4 multiframe alignment after initial basic frame alignment is established. A 0 indicates either CRC-4 checking is disabled or CRC-4 multiframe alignment has been successfully detected.
3	LFALR	Loss of Frame Alignment Since Last Read. A 1 indicates that the LFA state indicated in bit 0 of this register is the same LFA state as the previous read.
4	LBFA	Loss of Biframe Alignment. A 1 indicates that the CEPT biframe alignment pattern (alternating 10 in bit 2 of time slot 0 of each frame) in the receive system data is errored. This alignment pattern is required when transmitting the Si or Sa bits transparently. Only valid in the CEPT mode. This bit is 0 in all other modes.
5	RTS16AIS	Receive Time Slot 16 Alarm Indication Signal. A 1 indicates the receive framer detected time slot 16 AIS in the CEPT mode. This bit is 0 in the DS1 modes.
6	AUXP	Auxiliary Pattern. A 1 indicates the detection of a valid AUXP (unframed 1010 . . . pattern) in the CEPT mode. This bit is 0 in the DS1 modes.
7	AIS	Alarm Indication Signal. A 1 indicates the receive framer is currently receiving an AIS pattern from its remote line end.

Framer Register Architecture (continued)**Remote End Alarm Register (FRM_SR2)**

A bit set to 1 indicates the receive framer has recently received the given alarm. Interrupts from this register are generated once at the beginning of the alarm condition. If the alarm is still present at the time of the read, the bit will remain in the 1 state for the duration of the alarm condition. If the alarm condition is no longer present at the time of the read, then the bit is cleared on read.

Table 71. Remote End Alarm Register (FRM_SR2) (Y02)

Bit	Symbol	Description
0	RFA	Remote Framer Alarm. A 1 indicates the receive framer detected a remote frame (yellow) alarm.
1	RJYA	Remote Japanese Yellow Alarm. A 1 indicates the receive framer detected the Japanese format remote frame alarm.
	RTS16MFA	Remote Multiframe Alarm. A 1 indicates the receive framer detected a time slot 16 remote frame alarm in the CEPT mode.
2	CREBIT	Continuous Received E Bits. A 1 indicates the detection of a five-second interval containing ≥ 991 E bit = 0 events in each second. This bit is 0 in the DS1 mode.
3	Sa6 = 8	Received Sa6 = 8. A 1 indicates the receive framer detected an Sa6 code equal to 1000. This bit is 0 in the DS1 mode.
4	Sa6 = A	Received Sa6 = A. A 1 indicates the receive framer detected an Sa6 code equal to 1010. This bit is 0 in the DS1 mode.
5	Sa6 = C	Received Sa6 = C. A 1 indicates the receive framer detected an Sa6 code equal to 1100. This bit is 0 in the DS1 mode.
6	Sa6 = E	Received Sa6 = E. A 1 indicates the receive framer detected an Sa6 code equal to 1110. This bit is 0 in the DS1 mode.
7	Sa6 = F	Received Sa6 = F. A 1 indicates the receive framer detected an Sa6 code equal to 1111. This bit is 0 in the DS1 mode.

Framer Register Architecture (continued)

Facility Errored Event Register (FRM_SR3)

A bit set to 1 indicates the receive framer has recently received the given errored event.

Table 72. Facility Errored Event Register-1 (FRM_SR3) (Y03)

Bit	Symbol	Description
0	LFV	Line Format Violation. A 1 indicates the receive framer detected a bipolar line coding or excessive zeros violation.
1	FBE	Frame-Bit Errored. A 1 indicates the receive framer detected a frame-bit or frame alignment pattern error.
2	CRCE	CRC Errored. A 1 indicates the receive framer detected CRC errors.
3	ECE	Excessive CRC Errors. A 1 indicates the receive framer detected an excessive CRC errored condition. This bit is only valid in the ESF and CEPT with CRC-4 modes; otherwise, it is 0.
4	REBIT	Received E Bit = 0. A 1 indicates the receive framer detected an E bit = 0 in either frame 13 or 15 of the time slot 0 of CRC-4 multiframe. This bit is 0 in the DS1 modes.
5	LCRCATMX	Lack of CRC-4 Multiframe Alignment Timer Expire Indication. A 1 indicates that either the 100 ms or the 400 ms CRC-4 interworking timer expired. Active only immediately after establishment of the initial basic frame alignment. This bit is 0 in the DS1 modes.
6	SLIPO	Receive Elastic Store Slip: Buffer Overflow. A 1 indicates the receive elastic store performed a control slip due to an elastic buffer overflow condition.
7	SLIPU	Receive Elastic Store Slip: Buffer Underflow. A 1 indicates the receive elastic store performed a control slip due to an elastic buffer underflow condition.

Framer Register Architecture (continued)

Table 73. Facility Event Register-2 (FRM_SR4) (Y04)

Bit	Symbol	Description
0	NFA	New Frame Alignment. A 1 indicates the receive framer established a new frame alignment which differs from the previous alignment.
1	SSFA	Signaling Superframe Alignment. A 1 indicates the receive framer has established the signaling superframe alignment. In the SF modes (D4 and <i>SLC-96</i>) and CEPT modes, this alignment is established only after primary frame alignment is determined.
2	LLBOFF	T1 Line Loopback Off Code Detect. A 1 indicates the receive framer detected the DS1 line loopback disable code in the payload. This code is defined in <i>AT&T Technical Reference 62411</i> as a framed 001 pattern where the frame bit is inserted into the pattern.
	BFA	New Biframe Alignment Established. A 1 indicates the transmit framer has established a biframe alignment for the transmission of transparent Si and or Sa bits from the system data in the CEPT mode.
3	LLBON	T1 Line Loopback On Code Detect. A 1 indicates the receive framer detected the line loopback enable code in the payload. This code is defined in <i>AT&T Technical Reference 62411</i> as a framed 00001 pattern where the frame bit is inserted into the pattern.
	CMA	New CEPT CRC-4 Multiframe Alignment. A 1 indicates the CEPT CRC-4 multiframe alignment in the receive framer has been established.
4	FDL-PLBON	ESF FDL Payload Loopback On Code Detect. A 1 indicates the receive framer detected the line loopback enable code in the payload. This code is defined in <i>ANSI/T1.403-1995</i> as a 111111100101000 pattern in the facility data link, where the leftmost bit is the MSB.
	SLCRFSR	SLC-96 Receive FDL Stack Ready. A 1 indicates that the receive FDL stack should be read. This bit is cleared on read. Data in the receive FIFO must be read within 9 ms of this interrupt. This bit is not updated during loss of frame or signaling superframe alignment.
5	FDL-PLBOFF	ESF FDL Payload Loopback Off Code Detect. A 1 indicates the receive framer detected the line loopback disable code in the payload. This code is defined in <i>ANSI/T1.403-1995</i> as a 111111101001100 pattern in the facility data link, where the leftmost bit is the MSB.
	SLCTFSR	SLC-96 Transmit FDL Stack Ready. A 1 indicates that the transmit FDL stack is ready for new data. This bit is cleared on read. Data written within 9 ms of this interrupt will be transmitted in the next <i>SLC-96</i> D-bit superframe interval.
6	FDL-LLBON	ESF FDL Line Loopback On Code Detect. A 1 indicates the receive framer detected the line loopback enable code in the payload. This code is defined in <i>ANSI/T1.403-1995</i> as a 111111101110000 pattern in the facility data link, where the leftmost bit is the MSB.
	RSaSR	CEPT Receive Sa Stack Ready. A 1 indicates that the receive Sa6 stack should be read. This bit is clear on the first access to the Sa receive stack or at the beginning of frame 0 of the CRC-4 double-multiframe. Data in the receive FIFO must be read within 4 ms of this interrupt. This bit is not updated during LFA.
7	FDL-LLBOFF	ESF FDL Line Loopback Off Code Detect. A 1 indicates the receive framer detected the line loopback disable code in the payload. This code is defined in <i>ANSI/T1.403-1995</i> as a 111111100011100 pattern in the facility data link, where the leftmost bit is the MSB.
	TSaSR	CEPT Transmit Sa Stack Ready. A 1 indicates that the transmit Sa stack is ready for new data. This bit is cleared on the first access to the Sa transmit stack or at the beginning of frame 0 of the CRC-4 double multiframe. Data written within 4 ms of this interrupt will be transmitted in the next CRC-4 double multiframe interval.

Framer Register Architecture (continued)

The following registers are dedicated to the exchange termination and its remote end interface. The alarm conditions to trigger errored seconds and severely errored seconds are defined in Table 32 and the ET and ET-RE enable registers, FRM_PR14 and FRM_PR15. The thresholds are defined in registers FRM_PR11—FRM_PR13.

Table 74. Exchange Termination and Exchange Termination Remote End Interface Status Register (FRM_SR5) (Y05)

Bit	Symbol	Description
0	ETES	ET Errored Second. A 1 indicates the receive framer detected an errored second at the exchange termination (ET).
1	ETBES	ET Bursty Errored Second. A 1 indicates the receive framer detected a bursty errored second at the ET.
2	ETSES	ET Severely Errored Second. A 1 indicates the receive framer detected a severely errored second at the ET.
3	ETUAS	ET Unavailable State. A 1 indicates the receive framer has detected at least ten consecutive severely errored seconds. Upon detecting ten consecutive nonseverely errored seconds, the receive framer will clear this bit. ITU Recommendation G.826 is used resulting in a ten-second delay in the reporting of this condition.
4	ETREES	ET-RE Errored Second. A 1 indicates the receive framer detected an errored second at the exchange termination remote end (ET-RE).
5	ETREBES	ET-RE Bursty Errored Second. A 1 indicates the receive framer detected a bursty errored second at the ET-RE.
6	ETRESES	ET-RE Severely Errored Second. A 1 indicates the receive framer detected a severely errored second at the ET-RE.
7	ETREUAS	ET-RE Unavailable State. A 1 indicates the receive framer has detected at least ten consecutive severely errored seconds. Upon detecting ten consecutive nonseverely errored seconds, the receive framer will clear this bit. ITU Recommendation G.826 is used resulting in a ten-second delay in the reporting of this condition.

Framer Register Architecture (continued)

The following status registers are dedicated to the NT1 and the NT1 remote end (NT1-RE) interface. The alarm conditions to evaluate errored seconds and severely errored seconds are defined in Table 32 and the NT1 and NT1-RE enable registers, FRM_PR16—FRM_PR18. The thresholds are defined in registers FRM_PR11—FRM_PR13.

Table 75. Network Termination and Network Termination Remote End Interface Status Register (FRM_SR6) (Y06)

Bit	Symbol	Description
0	NTES	NT Errored Second. A 1 indicates the receive framer detected an errored second at the network termination (NT).
1	NTBES	NT Bursty Errored Second. A 1 indicates the receive framer detected a bursty errored second at the NT.
2	NTSES	NT Severely Errored Second. A 1 indicates the receive framer detected a severely errored second at the NT.
3	NTUAS	NT Unavailable State. A 1 indicates the receive framer has detected at least ten consecutive severely errored seconds. Upon detecting ten consecutive nonseverely errored seconds, the receive framer will clear this bit. ITU Recommendation G.826 is used resulting in a ten-second delay in the reporting of this condition.
4	NTRRES	NT-RE Errored Second. A 1 indicates the receive framer detected an errored second at the exchange termination remote end (ET-RE).
5	NTRBES	NT-RE Bursty Errored Second. A 1 indicates the receive framer detected a bursty errored second at the ET-RE.
6	NTRSES	NT-RE Severely Errored Second. A 1 indicates the receive framer detected a severely errored second at the NT-RE.
7	NTRUAS	NT-RE Unavailable State. A 1 indicates the receive framer has detected at least ten consecutive severely errored seconds. Upon detecting ten consecutive nonseverely errored seconds, the receive framer will clear this bit. ITU Recommendation G.826 is used resulting in a ten-second delay in the reporting of this condition.

Framer Register Architecture (continued)

Bit 0—bit 4 in this register are set high when the receive framer comes out of the unavailable state, while bit 4—bit 7 report detection of the receive test patterns. Bits 4 and 5 are cleared only after register FRM_PR70 bit 2 is set to 0.

Table 76. Facility Event Register (FRM_SR7) (Y07)

Bit	Symbol	Description
0	OUAS	Out of Unavailable State. A 1 indicates the receive framer detected ten consecutive seconds that were not severely errored while in the unavailable state at the ET.
1	EROUAS	Out of Unavailable State at the ET-RE. A 1 indicates the receive framer detected ten consecutive seconds that were not severely errored while in the unavailable state at the ET-RE.
2	NT1OUAS	Out of Unavailable State at the NT1. A 1 indicates the receive framer detected ten consecutive seconds that were not severely errored while in the unavailable state at the NT.
3	NROUAS	Out of Unavailable State NT1-RE. A 1 indicates the receive framer detected ten consecutive seconds that were not severely errored while in the unavailable state at the NT-RE.
4	DETECT	Test Pattern Detected. A 1 indicates the pattern detector has locked onto the pattern specified by the PTRN configuration bits defined in register FRM_PR70.
5	PTRNBER	Test Pattern Bit Error. A 1 indicates the pattern detector has found one or more single bit errors in the pattern that it is currently locked onto.
6	RPSUEDO	Receiving Pseudorandom Pattern. A 1 indicates the receive framer pattern monitor circuit is currently detecting the $2^{15} - 1$ pseudorandom pattern*.
7	RQUASI	Receiving Quasi-Random Pattern. A 1 indicates the receive framer pattern monitor circuit is currently detecting the $2^{20} - 1$ quasi-random pattern*.

* It is possible for one of these bits to be set to 1, if the received line data is all zeros.

Bipolar Violation Counter Register (FRM_SR8—FRM_SR9)

This register contains the 16-bit count of received bipolar violations, line code violations, or excessive zeros.

Table 77. Bipolar Violation Counter Registers (FRM_SR8—FRM_SR9) (Y08—Y09)

Register	Byte	Bit	Symbol	Description
FRM_SR8	MSB	7—0	BPV15—BPV8	BPVs Counter.
FRM_SR9	LSB	7—0	BPV7—BPV0	BPVs Counter.

Frame Bit Errored Counter Register (FRM_SR10—FRM_SR11)

This register contains the 16-bit count of framing bit errors. Framing bit errors are not counted during loss of frame alignment.

Table 78. Framing Bit Error Counter Registers (FRM_SR10—FRM_SR11) (Y0A—Y0B)

Register	Byte	Bit	Symbol	Description
FRM_SR10	MSB	7—0	FBE15—FBE8	Frame Bit Errored Counter.
FRM_SR11	LSB	7—0	FBE7—FBE0	Frame Bit Errored Counter.

Framer Register Architecture (continued)**CRC Error Counter Register (FRM_SR12—FRM_SR13)**

This register contains the 16-bit count of CRC errors. CRC errors are not counted during loss of CRC multiframe alignment.

Table 79. CRC Error Counter Registers (FRM_SR12—FRM_SR13) (Y0C—Y0D)

Register	Byte	Bit	Symbol	Description
FRM_SR12	MSB	7—0	CEC15—CEC8	CRC Errored Counter.
FRM_SR13	LSB	7—0	CEC7—CEC0	CRC Errored Counter.

E-Bit Counter Register (FRM_SR14—FRM_SR15)

This register contains the 16-bit count of received E bit = 0 events. E bits are not counted during loss of CEPT CRC-4 multiframe alignment.

Table 80. E-Bit Counter Registers (FRM_SR14—FRM_SR15) (Y0E—Y0F)

Register	Byte	Bit	Symbol	Description
FRM_SR14	MSB	7—0	REC15—REC8	E-Bit Counter.
FRM_SR15	LSB	7—0	REC7—REC0	E-Bit Counter.

CRC-4 Errors at NT1 from NT2 Counter Registers (FRM_SR16—FRM_SR17)

This register contains the 16-bit count of each occurrence of Sa6 code 001X, detected synchronously to the CEPT CRC-4 multiframe.

Table 81. CRC-4 Errors at NT1 from NT2 Counter Registers (FRM_SR16—FRM_SR17) (Y10—Y11)

Register	Byte	Bit	Symbol	Description
FRM_SR16	MSB	7—0	CNT15—CNT8	CRC-4 Errors at NT1 Counter.
FRM_SR17	LSB	7—0	CNT7—CNT0	CRC-4 Errors at NT1 Counter.

E Bit at NT1 from NT2 Counter Registers (FRM_SR18—FRM_SR19)

This register contains the 16-bit count of each occurrence of Sa6 code 00X1, detected synchronously to the CEPT CRC-4 multiframe. E bits are not counted during loss of CEPT CRC-4 multiframe alignment.

Table 82. E Bit at NT1 from NT2 Counter (FRM_SR18—FRM_SR19) (Y12—Y13)

Register	Byte	Bit	Symbol	Description
FRM_SR18	MSB	7—0	ENT15—ENT8	E Bit at NT1 Counter.
FRM_SR19	LSB	7—0	ENT7—ENT0	E Bit at NT1 Counter.

Framer Register Architecture (continued)

The following status registers, FRM_SR20—FRM_SR51, contain the 16-bit count of errored seconds, bursty errored seconds, severely errored seconds, and unavailable seconds at the ET, ET-RE, NT1, and NT1-RE terminals. DS1 error conditions are reported in the ET Errored Registers FRM_SR20—FRM_SR35.

Table 83. ET Errored Seconds Counter (FRM_SR20—FRM_SR21) (Y14—Y15)

Register	Byte	Bit	Symbol	Description
FRM_SR20	MSB	7—0	ETES15—ETES8	ET Errored Seconds Counter.
FRM_SR21	LSB	7—0	ETES7—ETES0	ET Errored Seconds Counter.

Table 84. ET Bursty Errored Seconds Counter (FRM_SR22—FRM_SR23) (Y16—Y17)

Register	Byte	Bit	Symbol	Description
FRM_SR22	MSB	7—0	ETBES15—ETBES8	ET Bursty Errored Seconds Counter.
FRM_SR23	LSB	7—0	ETBES7—ETBES0	ET Bursty Errored Seconds Counter.

Table 85. ET Severely Errored Seconds Counter (FRM_SR24—FRM_SR25) (Y18—Y19)

Register	Byte	Bit	Symbol	Description
FRM_SR24	MSB	7—0	ETSES15—ETSES8	ET Severely Errored Seconds Counter.
FRM_SR25	LSB	7—0	ETSES7—ETSES0	ET Severely Errored Seconds Counter.

Table 86. ET Unavailable Seconds Counter (FRM_SR26—FRM_SR27) (Y1A—Y1B)

Register	Byte	Bit	Symbol	Description
FRM_SR26	MSB	7—0	ETUS15—ETUS8	ET Unavailable Seconds Counter Bits.
FRM_SR27	LSB	7—0	ETUS7—ETUS0	ET Unavailable Seconds Counter Bits.

Table 87. ET-RE Errored Seconds Counter (FRM_SR28—FRM_SR29) (Y1C—Y1D)

Register	Byte	Bit	Symbol	Description
FRM_SR28	MSB	7—0	ETREES15—ETREES8	ET-RE Errored Seconds Counter.
FRM_SR29	LSB	7—0	ETREES7—ETREES0	ET-RE Errored Seconds Counter.

Table 88. ET-RE Bursty Errored Seconds Counter (FRM_SR30—FRM_SR31) (Y1E—Y1F)

Register	Byte	Bit	Symbol	Description
FRM_SR30	MSB	7—0	ETREBES15—ETREBES8	ET-RE Bursty Errored Seconds Counter.
FRM_SR31	LSB	7—0	ETREBES7—ETREBES0	ET-RE Bursty Errored Seconds Counter.

Table 89. ET-RE Severely Errored Seconds Counter (FRM_SR32—FRM_SR33) (Y20—Y21)

Register	Byte	Bit	Symbol	Description
FRM_SR32	MSB	7—0	ETRESES15—ETRESES8	ET-RE Severely Errored Seconds Counter.
FRM_SR33	LSB	7—0	ETRESES7—ETRESES0	ET-RE Severely Errored Seconds Counter.

Framer Register Architecture (continued)**Table 90. ET-RE Unavailable Seconds Counter (FRM_SR34—FRM_SR35) (Y22—Y23)**

Register	Byte	Bit	Symbol	Description
FRM_SR34	MSB	7—0	ETREUS15—ETRESES8	ET-RE Unavailable Seconds Counter.
FRM_SR35	LSB	7—0	ETRESES7—ETRESES0	ET-RE Unavailable Seconds Counter.

Table 91. NT1 Errored Seconds Counter (FRM_SR36—FRM_SR37) (Y24—Y25)

Register	Byte	Bit	Symbol	Description
FRM_SR36	MSB	7—0	NTES15—NTES8	NT1 Errored Seconds Counter.
FRM_SR37	LSB	7—0	NTES7—NTES0	NT1 Errored Seconds Counter.

Table 92. NT1 Bursty Errored Seconds Counter (FRM_SR38—FRM_SR39) (Y26—Y27)

Register	Byte	Bit	Symbol	Description
FRM_SR38	MSB	7—0	NTBES15—NTBES8	NT1 Bursty Errored Seconds Counter.
FRM_SR39	LSB	7—0	NTBES7—NTBES0	NT1 Bursty Errored Seconds Counter.

Table 93. NT1 Severely Errored Seconds Counter (FRM_SR40—FRM_SR41) (Y28—Y29)

Register	Byte	Bit	Symbol	Description
FRM_SR40	MSB	7—0	NTSES15—NTSES8	NT1 Severely Errored Seconds Counter.
FRM_SR41	LSB	7—0	NTSES7—NTSES0	NT1 Severely Errored Seconds Counter.

Table 94. NT1 Unavailable Seconds Counter (FRM_SR42—FRM_SR43) (Y2A—Y2B)

Register	Byte	Bit	Symbol	Description
FRM_SR42	MSB	7—0	NTUS15—NTUS8	NT1 Unavailable Seconds Counter Bits.
FRM_SR43	LSB	7—0	NTUS7—NTUS0	NT1 Unavailable Seconds Counter Bits.

Table 95. NT1-RE Errored Seconds Counter (FRM_SR44—FRM_SR45) (Y2C—Y2D)

Register	Byte	Bit	Symbol	Description
FRM_SR44	MSB	7—0	NTRRES15—NTRRES8	NT1-RE Errored Seconds Counter.
FRM_SR45	LSB	7—0	NTRRES7—NTRRES0	NT1-RE Errored Seconds Counter.

Table 96. NT1-RE Bursty Errored Seconds Counter (FRM_SR46—FRM_SR47) (Y2E—Y2F)

Register	Byte	Bit	Symbol	Description
FRM_SR46	MSB	7—0	NTRBES15—NTRBES8	NT1-RE Bursty Errored Seconds Counter.
FRM_SR47	LSB	7—0	NTRBES7—NTRBES0	NT1-RE Bursty Errored Seconds Counter.

Table 97. NT1-RE Severely Errored Seconds Counter (FRM_SR48—FRM_SR49) (Y30—Y31)

Register	Byte	Bit	Symbol	Description
FRM_SR48	MSB	7—0	NTRSES15—NTRSES8	NT1-RE Severely Errored Seconds Counter.
FRM_SR49	LSB	7—0	NTRSES7—NTRSES0	NT1-RE Severely Errored Seconds Counter.

Framer Register Architecture (continued)

Table 98. NT1-RE Unavailable Seconds Counter (FRM_SR50—FRM_SR51) (Y32—Y33)

Register	Byte	Bit	Symbol	Description
FRM_SR50	MSB	7—0	NTREUS15—NTREUS8	NT1-RE Unavailable Seconds Counter Bits.
FRM_SR51	LSB	7—0	NTREUS7—NTREUS0	NT1-RE Unavailable Seconds Counter Bits.

Received NOT-FAS TS0 RSa Register (FRM_SR52)

This register contains the last (since last read) valid received RSa8—RSa4 bits, A bit, and Si bit of NOT-FAS time slot 0 and the Si bit of FAS time slot 0 while the receive framer was in basic frame alignment.

Table 99. Receive NOT-FAS TS0 Register (FRM_SR52) (Y34)

Bit 7	Bit 6	Bit 5	Bit 4	Bit 3	Bit 2	Bit 1	Bit 0
NOT-FAS bit 1 (CEPT without CRC-4) or frame 15 E bit (CEPT with CRC-4)	FAS bit 1 (CEPT without CRC-4) or frame 13 E bit (CEPT with CRC-4)	A bit	Sa4	Sa5	Sa6	Sa7	Sa8

Received Sa Register (FRM_SR53)

This register contains the last (since last read) valid time slot 16 spare bits of the frame containing the time slot 16 signaling multiframe alignment. These bits are updated only when the receive framer is in signaling multiframe alignment.

Table 100. Receive Sa Register (FRM_SR53) (Y35)

Bit 7	Bit 6	Bit 5	Bit 4	Bit 3	Bit 2	Bit 1	Bit 0
0	0	0	0	0	X2	X1	X0

SLC-96 FDL/CEPT Sa Receive Stack (FRM_SR54—FRM_SR63)

In the SLC-96 frame format, FRM_SR54 through FRM_SR58 contain the received SLC-96 facility data link data block. When the framer is in a loss of frame alignment or loss of signaling superframe alignment, these registers are **not** updated.

Note: The RSP[1:4] are the received spoiler bits.

Table 101. SLC-96 FDL Receive Stack (FRM_SR54—FRM_SR63) (Y36—Y3F)

Register	Bit 7	Bit 6	Bit 5	Bit 4	Bit 3	Bit 2	Bit 1	Bit 0
FRM_SR54	0	0	R-0	R-0	R-0	R-1	R-1	R-1
FRM_SR55	0	0	R-0	R-0	R-0	R-1	R-1	R-1
FRM_SR56	RC1	RC2	RC3	RC4	RC5	RC6	RC7	RC8
FRM_SR57	RC9	RC10	RC11	RSPB1 = 0	RSPB2 = 1	RSPB3 = 0	RM1	RM2
FRM_SR58	RM3	RA1	RA2	RS1	RS2	RS3	RS4	RSPB4 = 1
FRM_SR59— FRM_SR61	0	0	0	0	0	0	0	0

Framer Register Architecture (continued)

In the CEPT frame format, FRM_SR54 through FRM_SR63 contain the received Sa4 through Sa8 from the last valid CRC-4 double-multiframe. In non-CRC-4 mode, these registers are only updated during a basic frame aligned state. In CRC-4 mode, these registers are only updated during the CRC-4 multiframe alignment state.

Table 102. CEPT Sa Receive Stack (FRM_SR54—FRM_SR63) (Y36—Y3F)

Register	Bit 7	Bit 6	Bit 5	Bit 4	Bit 3	Bit 2	Bit 1	Bit 0
FRM_SR54	Sa4-1	Sa4-3	Sa4-5	Sa4-7	Sa4-9	Sa4-11	Sa4-13	Sa4-15
FRM_SR55	Sa4-17	Sa4-19	Sa4-21	Sa4-23	Sa4-25	Sa4-27	Sa4-29	Sa4-31
FRM_SR56	Sa5-1	Sa5-3	Sa5-5	Sa5-7	Sa5-9	Sa5-11	Sa5-13	Sa5-15
FRM_SR57	Sa5-17	Sa5-19	Sa5-21	Sa5-23	Sa5-25	Sa5-27	Sa5-29	Sa5-31
FRM_SR58	Sa6-1	Sa6-3	Sa6-5	Sa6-7	Sa6-9	Sa6-11	Sa6-13	Sa6-15
FRM_SR59	Sa6-17	Sa6-19	Sa6-21	Sa6-23	Sa6-25	Sa6-27	Sa6-29	Sa6-31
FRM_SR60	Sa7-1	Sa7-3	Sa7-5	Sa7-7	Sa7-9	Sa7-11	Sa7-13	Sa7-15
FRM_SR61	Sa7-17	Sa7-19	Sa7-21	Sa7-23	Sa7-25	Sa7-27	Sa7-29	Sa7-31
FRM_SR62	Sa8-1	Sa8-3	Sa8-5	Sa8-7	Sa8-9	Sa8-11	Sa8-13	Sa8-15
FRM_SR63	Sa8-17	Sa8-19	Sa8-21	Sa8-23	Sa8-25	Sa8-27	Sa8-29	Sa8-31

The receive framer stores the current second of the **ANSI Performance Report Message** transmitted to the remote end in registers FRM_SR62 and FRM_SR63. The structure of the PRM status registers is shown in Table 103.

Table 103. Transmit Framer ANSI Performance Report Message Status Register Structure

Transmit Framer PRM Status Bytes	TSPRM B7	TSPRM B6	TSPRM B5	TSPRM B4	TSPRM B3	TSPRM B2	TSPRM B1	TSPRM B0
FRM_SR62	G3	LV	G4	U1	U2	G5	SL	G6
FRM_SR63	FE	SE	LB	G1	R	G2	Nm	NI

Received Signaling Registers: DS1 Format**Table 104. Received Signaling Registers: DS1 Format (FRM_RSR0—FRM_RSR23) (Y40—Y58)**

Received Signal Registers	Bit 7	Bit 6*	Bit 5	Bit 4	Bit 3	Bit 2	Bit 1	Bit 0
DS1 Received Signaling Registers (0—23)	P	G	F	X	D	C	B	A
Voice Channel with 16-State Signaling	X	0	0	X	D	C	B	A
Voice Channel with 4-State Signaling	X	0	1	X	X	X	B	A
Voice Channel with 2-State Signaling	X	1	1	X	X	X	X	A
Data Channel	X	1	0	X	X	X	X	X

* Bit 6 and bit 5 of the DS1 receive signaling registers are copied from bit 6 and bit 5 of the DS1 transmit signaling registers.

Framer Register Architecture (continued)

Receive Signaling Registers: CEPT Format

Table 105. Receive Signaling Registers: CEPT Format (FRM_RSR0—FRM_RSR31) (Y40—Y5F)

Receive Signal Registers	Bit 7	Bit 6—5	Bit 4*	Bit 3	Bit 2	Bit 1	Bit 0
FRM_RSR1—FRM_RSR15	P	X	E[1:15]	D[1:15]	C[1:15]	B[1:15]	A[1:15]
FRM_RSR[17:31]	P	X	E[17:31]	D[17:31]	C[17:31]	B[17:31]	A[17:31]

* In PSCO or PSC1 signaling mode, this bit is undefined.

Framer Parameter/Control Registers

Registers FRM_PR0—FRM_PR70 define the mode configuration of each framer. All are read/write registers. These registers are initially set to a default value upon a hardware reset, which is indicated in the register definition.

Interrupt Group Enable Registers (FRM_PR0—FRM_PR7)

The bits in this register group enable the status registers FRM_SR0—FRM_SR7 to assert the interrupt pin. The default value of these registers is 00 (hex).

FRM_PR0 is the primary interrupt group enable register which enables the event groups in interrupt status register FRM_SR0. A bit set to 1 in this register enables the corresponding bit in the interrupt status register FRM_SR0 to assert the interrupt pin.

FRM_PR1—FRM_PR7 are the secondary interrupt enable registers. A bit set to 1 in these registers enables the corresponding bit in the status register to assert the interrupt pin.

Table 106. Summary of Interrupt Group Enable Registers (FRM_PR0—FRM_PR7) (Y60—Y67)

Parameter/ Control Register	Status Register Enabled	Status Register Bit 7	Status Register Bit 6	Status Register Bit 5	Status Register Bit 4	Status Register Bit 3	Status Register Bit 2	Status Register Bit 1	Status Register Bit 0
FRM_PR0	FRM_SR0	S96SR	Reserved	RSSFE	TSSFE	ESE (read FRM_SR5, FRM_SR6, and FRM_SR7)	FAE (read FRM_SR3 and FRM_SR4)	RAC (read FRM_SR2)	FAC (read FRM_SR1)
FRM_PR1	FRM_SR1	AIS	AUXP	RTS16AIS	LBFA	LFALR	LTSFA (LTS0MFA)	LSFA (LTS16MFA)	LFA
FRM_PR2	FRM_SR2	RSa6=F	RSa6=E	RSa6=C	RSa6=A	RSa6=8	CREBIT	RJYA (RTS16MFA)	RFA
FRM_PR3	FRM_SR3	SLIPU	SLIPO	LCRCATMX	REBIT	ECE	CRCE	FBE	LFV
FRM_PR4	FRM_SR4	FDL_LLBOFF (TSaSR)	FDL_LLBOFF (RSaSR)	FDL_PLBOFF (SLCTFSR)	FDL_PLBOFF (SLCRFSR)	LLBON (CMA)	LLBOFF (BFA)	SSFA	CFA
FRM_PR5	FRM_SR5	ETREUAS	ETRESES	ETREBES	ETREES	ETUAS	ETSES	ETBES	ETES
FRM_PR6	FRM_SR6	NTREUAS	NTRESES	NTREBES	NTREES	NTUAS	NTSES	NTBES	NTES
FRM_PR7	FRM_SR7	RQUASI	RPSUEDO	PTRNBER	DETECT	NROUAS	NT1OUAS	EROUAS	OUAS

Framer Register Architecture (continued)**Primary Interrupt Enable Register (FRM_PR0)**

The default value of this register is 00 (hex).

Table 107. Primary Interrupt Group Enable Register (FRM_PR0) (Y60)

Bit	Symbol	Description
0	SR1IE	Status Register 1 Interrupt Enable Bit. A 1 enables register FRM_SR1 event interrupts.
1	SR2IE	Status Register 2 Interrupt Enable Bit. A 1 enables register FRM_SR2 event interrupts.
2	SR34IE	Status Registers 3 and 4 Interrupt Enable Bit. A 1 enables registers FRM_SR3 and FRM_SR4 event interrupts.
3	SR567IE	Status Registers 5, 6, and 7 Interrupt Enable Bit. A 1 enables registers FRM_SR5, FRM_SR6, and FRM_SR7 event interrupts.
4	TSRIE	Transmit Signaling Ready Interrupt Enable Bit. A 1 enables interrupts when transmit signaling buffers are ready (MOS mode).
5	RSRIE	Receive Signaling Ready Interrupt Enable Bit. A 1 enables interrupts when receive signaling buffers are ready (MOS mode).
6	—	Reserved. Write to 0.
7	SLCIE	SLC-96 Interrupt Enable Bit. A 1 enables interrupts when SLC-96 receive or transmit stacks are ready.

Secondary Interrupt Enable Registers (FRM_PR1—FRM_PR7)

A bit set to 1 in registers FRM_PR1—FRM_PR7 enables the generation of interrupts whenever the corresponding bit in registers FRM_SR1—FRM_SR7 is set. The default value of these registers is 00 (hex).

Table 108. Interrupt Enable Register (FRM_PR1) (Y61)

Bit	Symbol	Description
0—7	SR1B0IE— SR1B7IE	Status Register 1 Interrupt Enable. A 1 enables events monitored in register FRM_SR1 to generate interrupts. Each bit position in this enable register corresponds to the same bit position in the status register.

Table 109. Interrupt Enable Register (FRM_PR2) (Y62)

Bit	Symbol	Description
0—7	SR2B0IE— SR2B7IE	Status Register 2 Interrupt Enable. A 1 enables events monitored in register FRM_SR2 to generate interrupts. Each bit position in this enable register corresponds to the same bit position in the status register.

Table 110. Interrupt Enable Register (FRM_PR3) (Y63)

Bit	Symbol	Description
0—7	SR3B0IE— SR3B7IE	Status Register 3 Interrupt Enable. A 1 enables events monitored in register FRM_SR3 to generate interrupts. Each bit position in this enable register corresponds to the same bit position in the status register.

Framer Register Architecture (continued)

Table 111. Interrupt Enable Register (FRM_PR4) (Y64)

Bit	Symbol	Description
0—7	SR4B0IE— SR4B7IE	Status Register 4 Interrupt Enable. A 1 enables events monitored in register FRM_SR4 to generate interrupts. Each bit position in this enable register corresponds to the same bit position in the status register.

Table 112. Interrupt Enable Register (FRM_PR5) (Y65)

Bit	Symbol	Description
0—7	SR5B0IE— SR5B7IE	Status Register 5 Interrupt Enable. A 1 enables events monitored in register FRM_SR5 to generate interrupts. Each bit position in this enable register corresponds to the same bit position in the status register.

Table 113. Interrupt Enable Register (FRM_PR6) (Y66)

Bit	Symbol	Description
0—7	SR6B0IE— SR6B7IE	Status Register 6 Interrupt Enable. A 1 enables events monitored in register FRM_SR6 to generate interrupts. Each bit position in this enable register corresponds to the same bit position in the status register.

Table 114. Interrupt Enable Register (FRM_PR7) (Y67)

Bit	Symbol	Description
0—7	SR7B0IE— SR7B7IE	Status Register 7 Interrupt Enable. A 1 enables events monitored in register FRM_SR7 to generate interrupts. Each bit position in this enable register corresponds to the same bit position in the status register.

Framer Mode Option Register (FRM_PR8)

The default value of this register is C0 (hex).

Table 115. Framer Mode Bits Decoding (FRM_PR8) (Y68)

FRM_PR8 Frame Format	Bit 7	Bit 6	Bit 5	Bit 4 FMODE 4	Bit 3 FMODE 3	Bit 2 FMODE 2	Bit 1 FMODE 1	Bit 0 FMODE 0
ESF	X	X	X	0	0	0	0	0
D4	X	X	X	0	0	0	0	1
DDS	X	X	X	0	0	0	1	0
DDS with FDL	X	X	X	0	0	0	1	1
SLC-96	X	X	X	0	0	1	0	0
Transmit ESF Receive D4	X	X	X	1	0	0	0	0
Transmit D4 Receive ESF	X	X	X	1	0	0	0	1
CEPT with No CRC-4	PCS Mode 0	X	X	X	0	1	0	1
	PCS Mode 1	X	X	X	0	1	0	0
CEPT with CRC-4	PCS Mode 1	X	X	X	0	1	1	1
	PCS Mode 0	X	X	X	0	1	1	0

Framer Register Architecture (continued)**Table 116. Line Code Option Bits Decoding (FRM_PR8) (Y68)**

Line Code Format	Bit 7 LC2	Bit 6 LC1	Bit 5 LC0	Bit 4	Bit 3	Bit 2	Bit 1	Bit 0
B8ZS (T/R)	0	0	0	X	X	X	X	X
ZCS (T/R)	0	0	1	X	X	X	X	X
HDB3 (T/R)	0	1	0	X	X	X	X	X
Single Rail (DEFAULT)	1	1	0	X	X	X	X	X
AMI (T/R)	0	1	1	X	X	X	X	X
B8ZS (T), AMI (R)	1	0	0	X	X	X	X	X
ZCS (T), B8ZS (R)	1	0	1	X	X	X	X	X
AMI (T), B8ZS (R)	1	1	1	X	X	X	X	X

Framer CRC Control Option Register (FRM_PR9)

This register defines the CRC options for the framer. The default setting is 00 (hex).

Table 117. CRC Option Bits Decoding (FRM_PR9) (Y69)

FRM_PR9 CRC Options	Bit 7	Bit 6	Bit 5	Bit 4	Bit 3	Bit 2	Bit 1	Bit 0
Loss of Frame Alignment Due to Excessive CRC Errors (ESF \geq 320, CEPT \geq 915 in a one-second interval)	0	X	X	X	X	X	1	1
CRC-4 with 100 ms Timer	0	X	X	X	X	1	X	1
CRC-4 Interworking Search with 400 ms Timer	0	X	X	X	1	X	X	1
CRC-4 with 990 REB Counter	0	X	X	1	X	X	X	1
CRC-4 with 990 REB Counter: A Bit = 1 Restart	0	X	1	1	X	X	X	1
CRC-4 with 990 REB Counter: Sa6-F or Sa6-E Restart	0	1	X	1	X	X	X	1
XCRC-4/R-NO CRC-4	1	X	X	X	X	X	X	0
X-NOCRC-4/RCRC4	1	X	X	X	X	X	X	1
CRC Default Mode (No CRC)	0	0	0	0	0	0	0	0

Framer Register Architecture (continued)

Alarm Filter Register (FRM_PR10)

The bits in this register enable various control options. The default setting is 00 (hex).

Table 118. Alarm Filter Register (FRM_PR10) (Y6A)

Bit	Symbol	Description
0	SSa6M	Synchronous Sa6 Monitoring. A 0 enables the asynchronous monitoring of the Sa6 codes relative to the receive CRC-4 submultiframe. A 1 enables synchronous monitoring of the Sa6 pattern relative to the receive CRC-4 submultiframe.
1	AISM	AIS Detection Mode. A 0 enables the detection of received line AIS as described in ETSI Draft prETS 300 233:1992. A 1 enables the detection of received line AIS as described in ITU Rec. G.775.
2	FEREN	FER Enable (DS1 Only). A 0 enables only the detection of FT framing bit errors in D4 and SLC-96 modes. A 1 enables the detection of FT and Fs framing bit errors.
	NFFE	Not FAS Framing Bit Error Control (CEPT Only). A 0 enables the monitoring of errored FAS and errored NOT FAS frames in the framing bit error counter, registers FRM_SR10 and FRM_SR11. A 1 enables the monitoring of only errored FAS frames in this error counter.
3	CNUCLBEN	CNUCLB Enable (CEPT Only). A 0 enables payload loopback with regenerated framing and CRC bits in register FRM_PR24. A 1 enables CEPT nailed-up connect loopback in register FRM_PR24.
4	—	Reserved. Set to 0.
5	RABF	Receive A-Bit Filter (CEPT Only). A 0 makes the occurrence of three consecutive A bit = 1 events assert and three consecutive A bit = 0 events deassert the remote frame alarm, register FRM_SR2 bit 0. A 1 enables the occurrence of a single A-bit event to deassert the remote frame alarm.

Bit 6 and bit 7 of FRM_PR10 control the evaluation of the bursty errored parameter as defined in Table 119 below. The EST parameter refers to the errored second threshold defined in register FRM_PR11. The SEST parameter refers to the severely errored second threshold defined in registers FRM_PR12 and FRM_PR13

Table 119. Errored Event Threshold Definition

Bit 7, FRM_PR10 ESM1	Bit 6, FRM_PR10 ESM0	Errored Second (ES) Definition	Bursty Errored Second (BES) Definition	Severely Errored Second (SES) Definition
0	0	Default values in Table 32.		
0	1	ES = 1 when: Errored events > EST	BES = 0	SES = 1 when: Errored events > SEST
Other Combinations		Reserved.		

Framer Register Architecture (continued)**Errored Second Threshold Register (FRM_PR11)**

This register defines the errored event threshold for an errored second (ES). A one-second interval with errors less than the ES threshold value will not be detected as an errored second. Programming 00 (hex) into this register disables the errored second threshold monitor circuitry if register FRM_PR10 bit 6 = 1 and bit 7 = 0. The default value of this register is 00 (hex).

Table 120. Errored Second Threshold Register (FRM_PR11) (Y6B)

Register	Symbol	Description
FRM_PR11	EST7—EST0	ES Threshold Register.

Severely Errored Second Threshold Register (FRM_PR12—FRM_PR13)

This 16-bit register defines the errored event threshold for a severely errored second (SES). A one-second interval with errors less than the SES threshold value is not a severely errored second. Programming 00 (hex) into these two registers disables the severely errored second threshold monitor circuitry if register FRM_PR10 bit 6 = 1 and bit 7 = 0. The default value of these registers is 00 (hex).

Table 121. Severely Errored Second Threshold Registers (FRM_PR12—FRM_PR13) (Y6C—Y6D)

Register	Symbol	Description
FRM_PR12	SEST15—SEST8	SES MSB Threshold Register.
FRM_PR13	SEST7—SEST0	SES LSB Threshold Register.

ET1 Errored Event Enable Register (FRM_PR14)

These bits enable the errored events used to determine errored and severely errored seconds at the local ET interface. ETSLIP, ETAIS, ETLMFA, and ETLFA are the SLIP, AIS, LMFA, and LFA errored events, respectively, as referred to the local ET interface. A 1 in the bit position enables the corresponding errored event. The default value of this register is 00 (hex).

Table 122. ET1 Errored Event Enable Register (FRM_PR14) (Y6E)

Register	Bit 7	Bit 6	Bit 5	Bit 4	Bit 3	Bit 2	Bit 1	Bit 0
FRM_PR14	0	0	0	0	ETSLIP	ETAIS	ETLMFA	ETLFA

ET1 Remote End Errored Event Enable Register* (FRM_PR15)

These bits enable the errored events used to determine errored and severely errored seconds at the ET's remote end interface. ETRESa6-F, ETRESa6-E, ETRESa6-8, ETRERFA, ETRESLIP, ETREAIS, ETRELMFA, and ETRELFA are the Sa6-F, Sa6-E, Sa6-8, RFA, SLIP, AIS, LMFA, and LFA errored events, respectively, as referred to the ET remote end interface. A 1 in the bit position enables the corresponding errored event. The default value of this register is 00 (hex).

Table 123. ET1 Remote End Errored Event Enable Register (FRM_PR15) (Y6F)

Register	Bit 7	Bit 6	Bit 5	Bit 4	Bit 3	Bit 2	Bit 1	Bit 0
FRM_PR15	ETRESa6-F	ETRESa6-E	ETRESa6-8	ETRERFA	ETRESLIP	ETREAIS	ETRELMFA	ETRELFA

* One occurrence of any one of these events causes an errored second count increment and a severely errored second count increment.

Framer Register Architecture (continued)

NT1 Errored Event Enable Register* (FRM_PR16)

These bits enable the errored events used to determine errored and severely errored seconds at the network termination-1 interface. NTSa6-C, NTSa6-8, NTSLIP, NTAIS, NTLMFA, and NTLFA are the Sa6-C, Sa6-8, SLIP, AIS, LMFA, and LFA errored events, respectively, as referred to the NT1 interface. A 1 in the bit position enables the corresponding errored event. The default value of this register is 00 (hex).

Table 124. NT1 Errored Event Enable Register (FRM_PR16) (Y70)

Register	Bit 7	Bit 6	Bit 5	Bit 4	Bit 3	Bit 2	Bit 1	Bit 0
FRM_PR16	NTSa6-C	0	NTSa6-8	0	NTSLIP	NTAIS	NTLMFA	NTLFA

NT1 Remote End Errored Event Enable Register* (FRM_PR17—FRM_PR18)

These bits enable the errored events used to determine errored and severely errored seconds at the network termination-1 remote end interface. NTRERFA, NTRESLIP, NTREAIS, NTRELMFA, NTRELFA, NTRESa6-C, NTRESa6-F, NTRESa6-E, and NTRESa6-8 are the RFA, SLIP, AIS, LMFA, LFA, Sa6-C, Sa6-F, Sa6-E, and Sa6-8 errored events, respectively, as referred to the NT-1 remote end interface. The default value of this register is 00 (hex).

Table 125. NT1 Remote End Errored Event Enable Registers (FRM_PR17—FRM_PR18) (Y71—Y72)

Register	Bit 7	Bit 6	Bit 5	Bit 4	Bit 3	Bit 2	Bit 1	Bit 0
FRM_PR17	0	0	0	NTRERFA	NTRESLIP	NTREAIS	NTRELMFA	NTRELFA
FRM_PR18	0	0	0	0	NTRESa6-C	NTRESa6-F	NTRESa6-E	NTRESa6-8

Automatic AIS to the System and Automatic Loopback Enable Register

The default value of this register is 00 (hex).

Table 126. Automatic AIS to the System and Automatic Loopback Enable Register (FRM_PR19) (Y73)

Bit	Symbol	Description
0	AS AIS	Automatic System AIS. A 1 transmits AIS to the system whenever the receive framer is in the loss of receive frame alignment (RLFA) state.
1	ASAISTMX	Automatic System AIS CEPT CRC-4 Timer Expiration. A 1 transmits AIS to the system after the CRC-4 100 ms or 400 ms timer expires. AIS is transmitted for the duration of the loss of CRC-4 multiframe alignment state.
2	—	Reserved. Set to 0.
3	TSAIS	Transmit System AIS. A 1 transmits AIS to the system.
4	ALLBE	Automatic Line Loopback Enable. A 1 enables the framer section to execute the DS1 line loopback on or off commands without system intervention.
5	—	Reserved. Set to 0.
6	AFDLLBE	Automatic FDL Line Loopback Enable. A 1 enables the framer section to execute a line ESF FDL loopback on or off command without system intervention.
7	AFDPLBE	Automatic FDL Payload Loopback Enable. A 1 enables the framer section to execute a payload ESF FDL loopback on or off command without system intervention.

* One occurrence of any one of these events causes an errored second count increment and a severely errored second count increment.

Framer Register Architecture (continued)**Automatic AIS to the System and Automatic Loopback Enable Register**

The default value of this register is 00 (hex).

Table 127. Automatic AIS to the System and Automatic Loopback Enable Register (FRM_PR19) (Y73)

Bit	Symbol	Description
0	ASAIS	Automatic System AIS. A 1 transmits AIS to the system whenever the receive framer is in the loss of receive frame alignment (RLFA) state.
1	ASAISTMX	Automatic System AIS CEPT CRC-4 Timer Expiration. A 1 transmits AIS to the system after the CRC-4 100 ms or 400 ms timer expires. AIS is transmitted for the duration of the loss of CRC-4 multiframe alignment state.
2	—	Reserved. Set to 0.
3	TSAIS	Transmit System AIS. A 1 transmits AIS to the system.
4	ALLBE	Automatic Line Loopback Enable. A 1 enables the framer section to execute the DS1 line loopback on or off commands without system intervention.
5	—	Reserved. Set to 0.
6	AFDLLBE	Automatic FDL Line Loopback Enable. A 1 enables the framer section to execute a line ESF FDL loopback on or off command without system intervention.
7	AFDPLBE	Automatic FDL Payload Loopback Enable. A 1 enables the framer section to execute a payload ESF FDL loopback on or off command without system intervention.

Transmit Test Pattern to the Line Enable Register*

This register enables the transmit framer to transmit various test signals to the line interface. The default value of this register is 00 (hex). Note that between enabling the transmission of line loopback on and off codes, this register must be set to 00 (hex) (i.e., to enable transmission of line loopback on code and then off code, write into this register 10 (hex), then 00 (hex), and finally 20 (hex)).

Table 128. Transmit Test Pattern to the Line Enable Register (FRM_PR20) (Y74)

Bit	Symbol	Description
0	TUFAIS	Unframed AIS to Line Interface (All Ones Pattern).
1	TUFAUXP	Unframed AUXP to Line Interface in CEPT Mode (Alternating 010101 Unframed Pattern).
2	TPRS	Transmit Pseudorandom Signal to Line Interface ($2^{15} - 1$).
3	TQRS	Transmit Quasi-Random Signal to Line Interface ($2^{20} - 1$) (ANSI/T1.403).
4	TLLBON	Transmit Framed Payload Line Loopback On Code: 00001.
5	TLLBOFF	Transmit Framed Payload Line Loopback Off Code: 001.
6	TLIC	Transmit Line Idle Code of FRM_PR22. When this bit = 1, the line idle code of FRM_PR22 is transmitted to the line in all time slots.
7	TICRC	Transmit Inverted CRC.

* To transmit test signals using this register, registers FRM_PR69 and FRM_PR70 must be set to 00 (hex).

Framer Register Architecture (continued)

Framer FDL Control Command Register (FRM_PR21)

The default value of this register is 00 (hex).

Table 129. Framer FDL Control Command Register (FRM_PR21) (Y75)

Bit	Symbol	Description
0	—	Reserved. Must be set to 0.
1	—	Reserved. Must be set to 0.
2	—	Reserved. Must be set to 0.
3	—	Reserved. Must be set to 0.
4	TFDLLAIS	Transmit Facility Data Link AIS to the Line. A 1 sends AIS in the line side data link.
5	TFDLSAIS	Transmit Facility Data Link AIS to the System. A 1 sends AIS in the system data link side.
6	TFDLC	Transmit FDL Control Bit. A 0 enables the transmission of the FDL bit from the internal FDL-HDLC unit (default). A 1 enables the transmission of the FDL bit from the TFDL input or from the internal transmit stack depending on the state of FRM_PR29 bit 5—bit 7. When the <i>SLC-96</i> stack transmission is enabled (register FRM_PR26 bit 5—bit 7 = x10 (binary), the FDL bit is sourced from the <i>SLC-96</i> transmit stack (register FRM_PR31—FRM_PR35). Otherwise, it is sourced from TFDL.
7	TC/R=1	Transmit ESF_PRM C/R = 1 (TC/R = 1). A 0 transmits the ESF performance report message with the C/R bit = 0. (See <i>ANSI T1.403-1995</i> for the PRM structure and content.) A 1 transmits the ESF performance report message with the C/R bit = 1.

Framer Transmit Line Idle Code Register (FRM_PR22)

The value programmed in this register is transmitted as the line idle code. The default value is 7F (hex).

Table 130. Framer Transmit Line Idle Code Register (FRM_PR22) (Y76)

Bit	Symbol	Description
0—7	TLIC0—TLIC7	Transmit Line Idle Code 0—7. These 8 bits define the idle code transmitted to the line.

Framer System Stuffed Time-Slot Code Register (FRM_PR23)

The value programmed in this register is transmitted in the stuffed time slots on the CHI in the DS1 modes. The default value is 7F (hex).

Table 131. Framer System Stuffed Time-Slot Code Register (FRM_PR23) (Y77)

Bit	Symbol	Description
0—7	SSTSC0—SSTSC7	System Stuffed Time-Slot Code 0—7. These 8 bits define the idle code transmitted in the stuffed time slots to the system CHI.

Framer Register Architecture (continued)**Primary Loopback Mode Control and Time Slot Address (FRM_PR24)**

This register contains the loopback mode control and the 5-bit address of the line or system time slot to be looped back. The default value is 00 (hex) (no loopback).

Table 132. Primary Time-Slot Loopback Address Register (FRM_PR24) (Y78)

Bit	Symbol	Description
0—4	TSLBA0— TSLBA4	Time-Slot Loopback Address.
5—7	LBC0—LBC2	Loopback Control Bits[2:0].

Table 133. Loopback Decoding of Bits LBC[2:0] in FRM_PR24, Bits 7—5

LBC2	LBC1	LBC0	Function
0	0	0	No Loopback.
0	0	1	Line Loopback (LLB). The received line data is looped back to the transmit line data.
0	1	0	Board Loopback (BLB). The received system data is looped back to the transmit system data and AIS is sent as the line transmit data.
0	1	1	Single Time-Slot System Loopback (STSSLB). System CHI loopback of the time slot selected by bit 4—bit 0. Idle code selected by FRM_PR22 is inserted in the line payload in place of the looped back time slot.
1	0	0	Single Time-Slot Line Loopback (STSSLB). Line loopback of time slot selected by bit 4—bit 0. Idle code selected by FRM_PR22 is inserted in the system CHI payload in place of the looped back time slot.
1	0	1	CEPT Nailed-Up Broadcast Transmission (CNUBT). Time slot selected by bit 4—bit 0 is transmitted normally and also placed into time slot 0.
1	1	0	Payload Line Loopback with Regenerated Framing and CRC Bits. This mode is selected if FRM_PR10 bit 3 = 0. The received channelized-payload data is looped backed to the line. The framing bits are generated within the transmit framer. The regenerated framing information includes the F-bit pattern, the CRC checksum bit, and the system's facility data link bit stream. This loopback mode can be used with the CEPT framing mode. The entire time slot 0 data (FAS and NOT FAS) is regenerated by the transmit framer. The receive framer processes and monitors the incoming line data normally in this loopback mode and transmits the formatted data to the system in the normal format via the CHI. CEPT Nailed-Up Connect Loopback (CNUCLB). The received system time slot selected by this register bit 4—bit 0 is looped back to the system in time slot 0. This mode is selected if FRM_PR10 bit 3 = 1.
1	1	1	Payload Line Loopback with Passthrough Framing and CRC Bits. The received channelized/payload data, the CRC bits, and the frame alignment bits are looped back to the line. The system's facility data link bit stream is inserted into the looped back data and transmitted to the line. In ESF, the FDL bits are ignored when calculating the CRC-6 checksum. In CEPT, the FDL bits are included when calculating the CRC-4 checksum, and as such this loopback mode generates CRC-4 errors back at the remote end.

Framer Register Architecture (continued)

Secondary Loopback Control and ID and Address (FRM_PR25)

This register allows for a second single-time-slot loopback mode. This loopback is valid if the secondary time slot loopback address is different from the primary loopback address and the device is not in a line, board, or payload loopback, see FRM_PR24. This register contains the secondary loopback mode control and the 5-bit address for the secondary line or system time slot to be looped back to the line or system. The default value is 00 (hex) (no loopback).

Table 134. Secondary Time-Slot Loopback Address Register (FRM_PR25) (Y79)

Bit	Symbol	Description
0—4	STSLBA0—STSLBA4	Secondary Time-Slot Loopback Address.
5—6	SLBC0—SLBC1	Secondary Loopback Control Bits[1:0].
7	—	Reserved. Write to 0.

Table 135. Loopback Decoding of Bits LBC[1:0] in FRM_PR25, Bits 6—5

LBC1	LBC0	Function
0	0	No Loopback.
0	1	Secondary Single Time-Slot System Loopback.
1	0	Secondary Single Time-Slot Line Loopback.
1	1	Reserved.

Framer Register Architecture (continued)**Framer Reset and Transparent Mode Control Register (FRM_PR26)**

The default value of this register is 00 (hex).

Table 136. Framer Reset and Transparent Mode Control Register (FRM_PR26) (Y7A)

Bits	Symbol	Description
0	SWRESET	Framer Software Reset. The framer and FDL sections are placed in the reset state for four clock cycles of the frame internal line clock (RFRMCK). The parameter registers are forced to the default values. This bit is self-cleared.
1	SWRESTART	Framer Software Restart. The framer and FDL sections are placed in the reset state as long as this bit is set to 1. The framer's parameter registers are not changed from their programmed state. The FDL parameter registers are changed from their programmable state. This bit must be cleared.
2	FRFRM	Framer Reframe. A 0-to-1 transition of this bit forces the receive framer into the loss of frame alignment (LFA) state which forces a search of frame alignment. Subsequent reframe commands must have this bit in the 0 state first.
3	TFM1	Transparent Framing Mode 1. A 1 forces the transmit framer to pass system data unmodified to the line and the receive framer to pass line data unmodified to the system. The receive framer is forced not to align to the input receive data. DS1: register FRM_PR43 bit 2—bit 0 must be set to 000. The F bit is located in time slot 0, bit 7. The transmit framer extracts bit 7 of time slot 0 from RCHIDATA and places this bit in the F-bit position of the transmit line data. The receive framer inserts the bit in the F-bit position of the receive line data into time slot 0, bit 7 of the TCHIDATA. CEPT: RCHIDATA time slot 0 is inserted into time slot 0 of the transmit line data. Receive line time slot 0 is inserted into time slot 0 of TCHIDATA.
4	TFM2	Transparent Framing Mode 2. A 1 forces the transmit framer to pass system data unmodified to the line. The receive framer functions normally as programmed. DS1: register FRM_PR43 bit 2—bit 0 must be set to 000. The F bit is located in time slot 0, bit 7. The transmit framer extracts bit 7 of time slot 0 from RCHIDATA and places this bit in the F-bit position of the transmit line data. CEPT: RCHIDATA time slot 0 is inserted into time slot 0 of the transmit line data.
5	SYSFSM	System Frame Sync Mask. A 1 masks the system frame synchronization signal in the transmit framer section. Note: The transmit framer must see at least one valid system synchronization pulse to initialize its counts; afterwards, this bit may be set. For those applications that have jitter on the transmit clock signal relative to the system clock signal, enable this bit so that the jitter is isolated from the transmit framer.
6—7	—	Reserved. Write to 0.

Framer Register Architecture (continued)

Automatic and Manual Transmission of the Remote Frame Alarm Control Register (FRM_PR27)

The default value of this register is 00 (hex).

Table 137. Transmission of Remote Frame Alarm and CEPT Automatic Transmission of A Bit = 1 Control Register (FRM_PR27) (Y7B)

Bit	Symbol	Description
0	ARLFA	Automatic Remote Frame Alarm on LFA (ARLFA). A 1 transmits the remote frame alarm to the line whenever the receive framer detects loss of frame alignment (RLFA).
1	AAB16LMFA	Automatic A Bit on LMFA (CEPT Only). A 1 transmits A = 1 to the line whenever the receive framer detects loss of time slot 16 signaling multiframe alignment (RTS16LMFA).
2	AAB0LMFA	Automatic A Bit on LMFA (CEPT Only). A 1 transmits A = 1 to the line whenever the receive framer detects loss of time slot 0 multiframe alignment (RTS0LMFA).
3	ATMRX	Automatic A Bit on CRC-4 Multiframe Reframer Timer Expiration (CEPT Only). A 1 transmits A = 1 to the line when the receive framer detects the expiration of either the 100 ms or 400 ms timers due to loss of multiframe alignment.
4	AARSa6_8	Automatic A Bit on RSa6_8 (CEPT Only). A 1 transmits A = 1 to the line whenever the receive framer detects the Sa6 = 1000 pattern.
5	AARSa6_C	Automatic A Bit on RSa6_C (CEPT Only). A 1 transmits A = 1 to the line whenever the receive framer detects the Sa6 = 1100 pattern.
6	TJRFA	Transmit D4 Japanese Remote Frame Alarm. A 1 transmits a valid Japanese remote frame alarm for the D4 frame format.
7	TRFA	Transmit Remote Frame Alarm. A 1 transmits a valid remote frame alarm for the corresponding frame format.

Framer Register Architecture (continued)**Automatic and Manual Transmission of E Bit = 0 Control Register**

The default value of this register is 00 (hex).

Table 138. CEPT Automatic Transmission of E Bit = 0 Control Register (FRM_PR28) (Y7C)

Bit	Symbol	Description
0	SIS,	Si-Bit Source. In CEPT with no CRC-4 mode, a 1 transmits TSiF and TSiNF in the Si bit position to the line in FAS and NOT FAS, respectively. A 0, in non-CRC-4 mode, transmits system Si data to the line transparently*.
	T1E	Transmit One E = 0. In CEPT with CRC-4 mode, a 0 transmits E = TSiF in frame 13 and E = TSiNF in frame 15. A 1 transmits one E bit = 0 for each write access to TSiF = 0 or TSiNF = 0.
1	TSiF	Transmit Bit 1 in FAS. In CEPT with no CRC-4, this bit can be transmitted to the line in bit 1 of the FAS. In CRC-4 mode, this bit is used for E-bit data in frame 13.
2	TSiNF	Transmit Bit 1 in NOT FAS. In CEPT with no CRC-4, this bit can be transmitted to the line in bit 1 of the NOT FAS. In CRC-4 mode, this bit is used for E-bit data in frame 15.
3	ATERCRCE	Automatic Transmit E Bit = 0 for Received CRC-4 Errored Events. A 1 transmits E = 0 to the line whenever the receive framer detects a CRC-4 errored checksum.
4	ATELTS0MFA	Automatic Transmit E Bit = 0 for Received Loss of CRC-4 Multiframe Alignment. A 1 transmits E = 0 to the line whenever the receive framer detects a loss of CRC-4 multiframe alignment condition.
5	ATERTX	Automatic Transmit E Bit = 0 on Expiration of CEPT CRC-4 Loss of Multiframe Timer. A 1 transmits E = 0 to the line whenever the receive framer detects the expiration of either the 100 ms or 400 ms timer due to the loss of CRC-4 multiframe alignment.
6—7	—	These Bits Are Zero.

* Whenever bits (e.g., Si, Sa, etc.) are transmitted from the system transparently, FRM_PR29 must first be momentarily written to 001XXXXX (binary). Otherwise, the transmit framer will not be able to locate the biframe alignment.

Sa4—Sa8 Source Register (FRM_PR29)

These bits contain the fixed transmit Sa bits and define the source of the Sa bits. The default value of this register is 00 (hex).

Table 139. Sa4—Sa8 Source Register (FRM_PR29) (Y7D)

Bit	Symbol	Description
0—4	TSa4—TSa8	Transmit Sa4—Sa8 Bit.
5—7	SaS5—SaS7	Sa Source Control Bits[2:0].

Framer Register Architecture (continued)

Table 140. Sa Bits Source Control for Bit 5—Bit 7 in FRM_PR29

SaS7	SaS6	SaS5	Function
1	0	0	A single Sa bit, selected in register FRM_PR43, is sourced from either the external transmit facility data input port TFDL (FRM_PR21 bit 6 = 1) or from the internal FDL-HDLC block (FRM_PR21 bit 6 = 0). The remaining Sa bits are sourced by this register bit 0—bit 4 if enabled in register FRM_PR30, or transparently from the system interface*.
1	0	1	A single Sa bit, selected in register FRM_PR43, is sourced from either the external transmit facility data input port TFDL (FRM_PR21 bit 6 = 1) or from the internal FDL-HDLC block (FRM_PR21 bit 6 = 0). The remaining Sa bits are transmitted transparently from the system interface*.
1	1	x	A single Sa bit, selected in register FRM_PR43, is sourced from either the external transmit facility data input port TFDL (FRM_PR21 bit 6 = 1) or from the internal FDL-HDLC block (FRM_PR21 bit 6 = 0). The remaining Sa bits are sourced from the transmit Sa stack registers (FRM_PR31—FRM_PR40) if enabled in register FRM_PR30, or transparently from the system interface*.
0	1	x	SLC-96 Mode. Transmit <i>SLC-96</i> stack and the <i>SLC-96</i> interrupts are enabled. The <i>SLC-96</i> FDL bits are sourced from the transmit <i>SLC-96</i> stack, registers FRM_PR31—FRM_PR40. CEPT Mode. Transmit Sa stack and the Sa interrupts are enabled. The Sa bits are sourced from the transmit Sa stack (FRM_PR31—FRM_PR40) if enabled in register FRM_PR30, or transparently from the system interface*.
0	0	1	Sa[4:8] bits are transmitted from the system interface transparently through the framer*.
0	0	0	Sa[4:8] bits are sourced by bit 0—bit 4 of this register if enabled in register FRM_PR30, or transparently from the system interface*.

* Whenever bits (e.g., Si, Sa, etc.) are transmitted from the system transparently, FRM_PR29 must first be momentarily written to 001XXXXX (binary). Otherwise, the transmit framer will not be able to locate the biframe alignment.

Sa4—Sa8 Control Register (FRM_PR30)

In conjunction with FRM_PR29 bit 5—bit 7, these bits define the source of the individual Sa4—Sa8 bits. The default value of this register is 00 (hex).

Table 141. Sa4—Sa8 Control Register (FRM_PR30) (Y7E)

Bit	Symbol	Description
0—4	TESa4—TESa8	Transparent Enable Sa4—Sa8 Bit Mask. A 1 enables the transmission of the corresponding Sa bits from the Sa source register (FRM_PR29 bit 0—bit 4) or from the transmit Sa stack. A 0 allows the corresponding Sa bit to be transmitted transparently from the system interface.
5—6	—	Reserved. Write to 0.
7	TDNF	Transmit Double NOT FAS System Time Slot. A 0 enables the transmission of the FAS and NOT FAS on the TCHIDATA interface. A 1 enables the NOT FAS to be transmitted twice on the TCHIDATA interface, and the received time slot 0 from the RCHIDATA is assumed to carry NOT FAS data that is repeated twice.

Framer Register Architecture (continued)**Sa Transmit Stack Register (FRM_PR31—FRM_PR40)**

In CEPT frame format, registers FRM_PR31—FRM_PR40 are used to program the Sa bits in the CEPT multiframe NOT-FAS words. If CRC-4 is enabled, this data is transmitted to the line synchronously to the CRC-4 multiframe. The default value of these registers is 00 (hex).

Table 142. Sa Transmit Stack (FRM_PR31—FRM_PR40) (Y7F—Y88)

Register	Bit 7	Bit 6	Bit 5	Bit 4	Bit 3	Bit 2	Bit 1	Bit 0
FRM_PR31	Sa4-1	Sa4-3	Sa4-5	Sa4-7	Sa4-9	Sa4-11	Sa4-13	Sa4-15
FRM_PR32	Sa4-17	Sa4-19	Sa4-21	Sa4-23	Sa4-25	Sa4-27	Sa4-29	Sa4-31
FRM_PR33	Sa5-1	Sa5-3	Sa5-5	Sa5-7	Sa5-9	Sa5-11	Sa5-13	Sa5-15
FRM_PR34	Sa5-17	Sa5-19	Sa5-21	Sa5-23	Sa5-25	Sa5-27	Sa5-29	Sa5-31
FRM_PR35	Sa6-1	Sa6-3	Sa6-5	Sa6-7	Sa6-9	Sa6-11	Sa6-13	Sa6-15
FRM_PR36	Sa6-17	Sa6-19	Sa6-21	Sa6-23	Sa6-25	Sa6-27	Sa6-29	Sa6-31
FRM_PR37	Sa7-1	Sa7-3	Sa7-5	Sa7-7	Sa7-9	Sa7-11	Sa7-13	Sa7-15
FRM_PR38	Sa7-17	Sa7-19	Sa7-21	Sa7-23	Sa7-25	Sa7-27	Sa7-29	Sa7-31
FRM_PR39	Sa8-1	Sa8-3	Sa8-5	Sa8-7	Sa8-9	Sa8-11	Sa8-13	Sa8-15
FRM_PR40	Sa8-17	Sa8-19	Sa8-21	Sa8-23	Sa8-25	Sa8-27	Sa8-29	Sa8-31

SLC-96 Transmit Stack (FRM_PR31—FRM_PR40)

In SLC-96 frame format, registers FRM_PR31—FRM_PR35 are used to source the transmit facility data link bits in the Fs bit positions. The default value of these registers is 00 (hex).

Table 143. SLC-96 Transmit Stack (FRM_PR31—FRM_PR40) (Y7F—Y88)

Register	Bit 7	Bit 6	Bit 5	Bit 4	Bit 3	Bit 2	Bit 1	Bit 0
FRM_PR31	0	0	X-0	X-0	X-0	X-1	X-1	X-1
FRM_PR32	0	0	X-0	X-0	X-0	X-1	X-1	X-1
FRM_PR33	XC ₁	XC ₂	XC ₃	XC ₄	XC ₅	XC ₆	XC ₇	XC ₈
FRM_PR34	XC ₉	XC ₁₀	XC ₁₁	XSPB ₁ = 0	XSPB ₂ = 1	XSPB ₃ = 0	XM ₁	XM ₂
FRM_PR35	XM ₃	XA ₁	XA ₂	XS ₁	XS ₂	XS ₃	XS ₄	XSPB ₄ = 1
FRM_PR36— FRM_PR40	0	0	0	0	0	0	0	0

In SLC-96 frame format, the bits in registers FRM_PR31—FRM_PR35 are transmitted using the format shown in Table 144.

Table 144. Transmit SLC-96 FDL Format

FS=	000111000111	XC ₁	XC ₂	XC ₃	XC ₄	XC ₅	XC ₆	XC ₇	XC ₈	XC ₉	XC ₁₀	XC ₁₁	XSPB ₁	XSPB ₂	XSPB ₃	XM ₁	XM ₂	XM ₃	XA ₁	XA ₂	XS ₁	XS ₂	XS ₃	XS ₄	XSPB ₄
-----	--------------	-----------------	-----------------	-----------------	-----------------	-----------------	-----------------	-----------------	-----------------	-----------------	------------------	------------------	-------------------	-------------------	-------------------	-----------------	-----------------	-----------------	-----------------	-----------------	-----------------	-----------------	-----------------	-----------------	-------------------

Framer Register Architecture (continued)

CEPT Time Slot 16 X-Bit Remote Multiframe Alarm and AIS Control Register (FRM_PR41)

The default value of this register is 00 (hex).

Table 145. CEPT Time Slot 16 X-Bit Remote Multiframe Alarm and AIS Control Register (FRM_PR41) (Y89)

Bit	Symbol	Description
0—2	TTS16X0—TTS16X2	Transmit Time Slot 16 X0—X2 Bits. The content of these bits are written into CEPT signaling multiframe time slot 16 X bits.
3	XS	X-Bit Source. A 1 enables the TTS16X[2:0] bits to be written into CEPT time slot 16 signaling multiframe frame. A 0 transmits the X bits transparently.
4	ALTTS16RMFA	Automatic Line Transmit Time Slot 16 Remote Multiframe Alarm. A 1 enables the transmission of CEPT time slot 16 signaling remote multiframe alarm when the receive framer is in the loss of CEPT signaling (RTS16LMFA) state.
5	TLTS16RMFA	Transmit Line Time Slot 16 Remote Multiframe Alarm. A 1 enables the transmission of CEPT time slot 16 signaling remote multiframe alarm.
6	TLTS16AIS	Transmit Line Time Slot 16 AIS. A 1 enables the transmission of CEPT time slot 16 alarm indication signal.
7	—	Reserved. Write to 0.

Framer Exercise Register (FRM_PR42)

This register is used for exercising the device in test mode. Setting the framer exercise bits 0—5 as described in Table 146 causes the specified error condition to be generated. In normal operation, it should be set to 00 (hex). The default value of this register is 00 (hex).

Table 146. Framer Exercise Register (FRM_PR42) (Y8A)

Bit		Description
FEX0—FEX5		Framer Exercise Bits 0—5 (FEX0—FEX5). See Table 147.
FEX6	FEX7	Pulse wide Interval.
0	0	1 s Pulse.
0	1	500 ms Pulse.
1	0	100 ms Pulse.
1	1	Reserved.

Framer Register Architecture (continued)

Table 147. Framer Exercises, FRM_PR42 Bit 5—Bit 0 (Y8A)

Exercise Type	FEX5	FEX4	FEX3	FEX2	FEX1	FEX0	Exercise	Framing Format
Facility Status	0	0	1	0	0	0	Line format violation.	All
							CRC checksum error.	ESF or CEPT
							Receive remote frame alarm.	D4 or ESF
	0	0	1	0	0	1	Alarm indication signal detection.	All
							Loss of frame alignment.	CEPT
							Receive remote frame alarm.	Japanese D4
	0	0	1	0	1	0	Time slot 0 1-bit shift.	CEPT
							Transmit corrupt CRC.	ESF & CEPT
	0	0	1	0	1	1	Frame-bit error & loss of frame alignment.	All
							Loss of time slot 16 multiframe alignment.	CEPT
							Remote frame alarm.	D4 & DDS
							CRC bit errors.	ESF & CEPT
	0	0	1	1	0	0	Frame-bit errors.	All
	0	0	1	1	0	1	Frame-bit errors & loss of frame alignment.	All
							Loss of time slot 16 multiframe alignment.	CEPT
	0	0	1	1	1	0	Frame-bit error & loss of frame alignment.	All
							Change of frame alignment.	ESF, DDS, & CEPT
							Loss of time slot 16 multiframe alignment.	CEPT
0	0	1	1	1	1	Excessive CRC checksum errors.	ESF & CEPT	
0	0	0	0	0	0	No test mode activated.	—	

Framer Register Architecture (continued)

Table 147. Framer Exercises, FRM_PR42 Bit 5—Bit 0 (Y8A) (continued)

Exercise Type	FEX5	FEX4	FEX3	FEX2	FEX1	FEX0	Exercise	Framing Format
Performance Status	0	1	0	0	0	0	Errored second	All
	0	1	0	0	0	1	Bursty errored second	
	0	1	0	0	1	0	Severely errored second	
	0	1	0	0	1	1	Severely errored second count	
	0	1	0	1	0	0	Unavailable state	
	0	1	0	1	0	1	Factory test	
	0	1	0	1	1	0	Increment status counters SR6—SR14	
0	1	0	1	1	1	Increment status counters SR6—SR14		
Status Counters	1	0	0	0	0	1	CRC error counter	All
	1	0	0	0	1	0	Errored event counter	
	1	0	X	0	1	1	Errored second counter	
	1	0	0	1	0	0	Severely errored second counter	
	1	0	0	1	0	1	Unavailable second counter	
	1	0	0	1	1	0	Line format violation counter	
	1	0	0	1	1	1	Frame bit error counter	
—	All other combinations						Reserved	—

DS1 System Interface Control and CEPT FDL Source Control Register (FRM_PR43)

The default value of this register is 00 (hex).

Table 148. DS1 System Interface Control and CEPT FDL Source Control Register (FRM_PR43) (Y8B)

Bit	Symbol	Description
0—2	STS0—STS2	In DS1 mode, bit 0—bit 2 program the positions of the stuffed time slots on the CHI. The content of the stuffed time slot can be programmed using register FRM_PR23. Bits 210 000 = SDDDSDDDSDDDSDDDSDDDSDDDSDDDSDDDSDD 001 = DSDDDSDDDSDDDSDDDSDDDSDDDSDDDSDDDS 010 = DDSDDDSDDDSDDDSDDDSDDDSDDDSDDDSDD 011 = DDDSDDDSDDDSDDDSDDDSDDDSDDDSDDDSD 100 = DDDDDDDDDDDDDDDDDDDDDDDDDSSSSSSSS
	SaFDL0—SaFDL2	In CEPT mode, bit 0—bit 2 program the Sa-bit source of the facility data link. Bits 210 000: Sa4 = FDL 001: Sa5 = FDL 010: Sa6 = FDL 011: Sa7 = FDL 100: Sa8 = FDL In both DS1 and CEPT modes, only the bit values shown above may be selected.
3	SSC	SLC-96 Signaling Control (DS1 Only). A 1 enables the SLC-96 9-state signaling mode. A 0 enables 16-state signaling in the SLC-96 framing mode.
4—7	—	Reserved. Write to 0.

Framer Register Architecture (continued)**Signaling Mode Register (FRM_PR44)**

This register programs various signaling modes. The default value is 00 (hex).

Table 149. Signaling Mode Register (FRM_PR44) (Y8C)

Bit	Symbol	Description
0	TSIG	Transparent Signaling. A 0 enables signaling information to be inserted into and extracted from the data stream. The signaling source is either the signaling registers or the system data (in the associated signaling mode). In DS1 modes, the choice of data or voice channels assignment for each channel is a function of the programming of the F and G bits in the transmit signaling registers. A 1 enables data to pass through the device transparently. All channels are treated as data channels.
1	STOMP	Stomp Mode. A 0 allows the received signaling bits to pass through the receive signaling circuit unmodified. In DS1 robbed-bit signaling modes, a 1 enables the receive signaling circuit to replace (in those time slots programmed for signaling) all signaling bits (in the receive line bit stream) with a 1, after extracting the valid signaling information. In CEPT time slot 16 signaling modes, a 1 enables the received signaling circuit substitute of the signaling combination of ABCD = 0000 to ABCD = 1111.
2	ASM	Associated Signaling Mode. A 1 enables the associate signaling mode which configures the CHI to carry both data and its associated signaling information. Enabling this mode must be in conjunction with the programming of the CHI data rate to 4.096 Mbits/s or 8.192 Mbit/s. Each channel consists of 16 bits where 8 bits are data and the remaining 8 bits are signaling information.
3	RSI	Receive Signaling Inhibit. A 1 inhibits updating of the receive signaling buffer.
4	MOS	Message-Oriented Signaling. DS1: A 1 enables the channel 24 message-oriented signaling mode.
5	TSR-ASM	TSR-ASM Mode (DS1 Only). In the DS1 mode, setting this bit and FRM_PR44 bit 2 (ASM) to 1 enables the transmit signaling register F and G bits to define the robbed-bit signaling format while the ABCD bit information is extracted from the CHI interface. The F and G bits are copied to the receive signaling block and are used to extract the signaling information from the receive line.
6	ASTSAIS	Automatic System Transmit Signaling AIS (CEPT Only). A 1 transmits AIS in system time slot 16 during receive loss of time slot 16 signaling multiframe alignment state.
7	TCSS	Transmit CEPT System Signaling Squelch (CEPT Only). AIS is transmitted in time slot 16 of the transmit system data.

Framer Register Architecture (continued)

CHI Common Control Register (FRM_PR45)

These bits define the common attributes of the CHI for TCHIDATA, TCHIDATAB, RCHIDATA, and RCHIDATAB. The default value of this register is 00 (hex).

Table 150. CHI Common Control Register (FRM_PR45) (Y8D)

Bit	Symbol	Description												
0	HFLF	High-Frequency/Low-Frequency PLLCK Clock Mode. A 0 enables the low-frequency PLLCK mode for the divide-down circuit in the internal phase-lock loop section (DS1 PLLCK = 1.544 MHz; CEPT PLLCK = 2.048 MHz). The divide-down circuit will produce an 8 kHz signal on DIV-PLLCK, pin G25. A 1 enables the high-frequency PLLCK mode for the divide-down circuit in the internal phase-lock loop section (DS1: PLLCK = 6.176 (4 x 1.544) MHz; CEPT: 8.192 (4 x 2.048) MHz). The divide-down circuit will produce a 32 kHz signal on DIV-PLLCK.												
1	CMS	Concentration Highway Clock Mode. A 0 enables the CHI clock frequency and CHI data rate to be equal. Function of CMS = 1 is reserved. This control bit affects both the transmit and receive interfaces.												
2—3	CDRS0— CDRS1	Concentration Highway Interface Data Rate Select. <table border="1" style="margin-left: auto; margin-right: auto;"> <thead> <tr> <th>Bits</th> <th>CHI Data Rate</th> </tr> </thead> <tbody> <tr> <td>2 3</td> <td></td> </tr> <tr> <td>0 0</td> <td>2.048 Mbits/s</td> </tr> <tr> <td>0 1</td> <td>4.096 Mbits/s</td> </tr> <tr> <td>1 0</td> <td>8.192 Mbits/s</td> </tr> <tr> <td>1 1</td> <td>Reserved</td> </tr> </tbody> </table>	Bits	CHI Data Rate	2 3		0 0	2.048 Mbits/s	0 1	4.096 Mbits/s	1 0	8.192 Mbits/s	1 1	Reserved
Bits	CHI Data Rate													
2 3														
0 0	2.048 Mbits/s													
0 1	4.096 Mbits/s													
1 0	8.192 Mbits/s													
1 1	Reserved													
4	CHIMM	Concentration Highway Master Mode. A 0 enables external system's frame synchronization signal (CHIFS) to drive the transmit path of the framer's concentration highway interface. A 1 enables the framer's transmit concentration interface to generate a system frame synchronization signal derived from the receive line interface. The framer's system frame synchronization signal is generated on the CHIFS output pin. Applications using the receive line clock as the reference clock signal of the system are recommended to enable this mode and use the CHIFS signal generated by the framer. The receive CHI path is not affected by this mode.												
5—6	—	Reserved. Write to 0.												
7	HWYEN	Highway Enable. A 1 in this bit position enables transmission to the concentration highway. This allows the TFRA08C13 to be fully configured before transmission to the highway. A 0 forces the idle code as defined in register FRM_PR22 to be transmitted to the line in all payload time slots and the transmit CHI pin is forced to a high-impedance state for all CHI transmitted time slots.												

Framer Register Architecture (continued)**CHI Common Control Register (FRM_PR46)**

This register defines the common attributes of the transmit and receive CHI. The default value is 00 (hex).

Table 151. CHI Common Control Register (FRM_PR46) (Y8E)

Bit	Symbol	Description
0—2	TOFF0— TOFF2	Transmit CHI Bit Offset. These 3 bits define the bit offset from CHIFS for each transmit time slot. The offset is the number of CHICK clock periods by which the first bit is delayed from TCHIFS.
3	TFE	Transmit Frame Clock Edge. A 0 (1) enables the falling (rising) edge of CHICK to latch in the frame synchronization signal, CHIFS.
4—6	ROFF0— ROFF2	Receive CHI Bit Offset. These 3 bits define the bit offset from CHIFS for each received time slot. The offset is the number of CHICK clock periods by which the first bit is delayed from RCHIFS.
7	RFE	Received Frame Clock Edge. A 0 (1) enables the falling (rising) edge of CHICK to latch in the frame synchronization signal, CHIFS.

CHI Transmit Control Register (FRM_PR47)

The default value of this register is 00 (hex).

Table 152. CHI Transmit Control Register (FRM_PR47) (Y8F)

Bit	Symbol	Description
0—5	TBYOFF0— TBYOFF5	Transmit Byte Offset. Combined with FRM_PR65 bit 0 (TBYOFF6), these 6 bits define the byte offset from CHIFS to the beginning of the next transmit CHI frame on TCHIDATA.
6	TCE	Transmitter Clock Edge. A 1 (0) enables the rising (falling) edge of CHICK to clock out data on TCHIDATA.
7	—	Reserved. Write to 0

CHI Receive Control Register (FRM_PR48)

The default value of this register is 00 (hex).

Table 153. CHI Receive Control Register (FRM_PR48) (Y90)

Bit	Symbol	Description
0—5	RBYOFF0— RBYOFF5	Receiver Byte Offset. Combined with FRM_PR66 bit 0 (RBYOFF6), these 6 bits define the byte offset from CHIFS to the beginning of the next receive CHI frame on RCHIDATA.
6	RCE	Receiver Clock Edge. A 1 (0) enables the rising (falling) edge of CHICK to latch data on RCHIDATA.
7	—	Reserved. Write to 0

Framer Register Architecture (continued)

CHI Transmit Time-Slot Enable Registers (FRM_PR49—FRM_PR52)

These four registers define which transmit CHI time slots are enabled. A 1 enables the TCHIDATA or TCHIDATAB time slot. A 0 forces the CHI transmit highway time slot to be 3-stated. The default value of this register is 00 (hex).

Table 154. CHI Transmit Time-Slot Enable Registers (FRM_PR49—FRM_PR52) (Y91—Y94)

Register	Bit	Symbol	Description
FRM_PR49	7—0	TTSE31—TTSE24	Transmit Time-Slot Enable Bits 31—24.
FRM_PR50	7—0	TTSE23—TTSE16	Transmit Time-Slot Enable Bits 23—16.
FRM_PR51	7—0	TTSE15—TTSE8	Transmit Time-Slot Enable Bits 15—8.
FRM_PR52	7—0	TTSE7—TTSE0	Transmit Time-Slot Enable Bits 7—0.

CHI Receive Time-Slot Enable Registers (FRM_PR53—FRM_PR56)

These four registers define which receive CHI time slots are enabled. A 1 enables the RCHIDATA or RCHIDATAB time slots. A 0 disables the time slot and transmits the programmable idle code of register FRM_PR22 to the line in the corresponding time slot. The default value of this register is FF (hex).

Table 155. CHI Receive Time-Slot Enable Registers (FRM_PR53—FRM_PR56) (Y95—Y98)

Register	Bit	Symbol	Description
FRM_PR53	7—0	RTSE31—RTSE24	Receive Time-Slot Enable Bits 31—24.
FRM_PR54	7—0	RTSE23—RTSE16	Receive Time-Slot Enable Bits 23—16.
FRM_PR55	7—0	RTSE15—RTSE8	Receive Time-Slot Enable Bits 15—8.
FRM_PR56	7—0	RTSE7—RTSE0	Receive Time-Slot Enable Bits 7—0.

CHI Transmit Highway Select Registers (FRM_PR57—FRM_PR60)

These four registers define which transmit CHI highway TCHIDATA or TCHIDATAB contains valid data for the active time slot. A 0 enables TCHIDATA, and a 1 enables TCHIDATAB. The default value of this register is 00 (hex).

Table 156. CHI Transmit Highway Select Registers (FRM_PR57—FRM_PR60) (Y99—Y9C)

Register	Bit	Symbol	Description
FRM_PR57	7—0	THS31—THS24	Transmit Highway Select Bits 31—24.
FRM_PR58	7—0	THS23—THS16	Transmit Highway Select Bits 23—16.
FRM_PR59	7—0	THS15—THS8	Transmit Highway Select Bits 15—8.
FRM_PR60	7—0	THS7—THS0	Transmit Highway Select Bits 7—0.

CHI Receive Highway Select Registers (FRM_PR61—FRM_PR64)

These four registers define which receive CHI highway RCHIDATA or RCHIDATAB contains valid data for the active time slot. A 0 enables RCHIDATA and a 1 enables RCHIDATAB. The default value of these registers is 00 (hex).

Table 157. CHI Receive Highway Select Registers (FRM_PR61—FRM_PR64) (Y9D—YA0)

Register	Bit	Symbol	Description
FRM_PR61	7—0	RHS31—RHS24	Receive Highway Select Bits 31—24.
FRM_PR62	7—0	RHS23—RHS16	Receive Highway Select Bits 23—16.
FRM_PR63	7—0	RHS15—RHS8	Receive Highway Select Bits 15—8.
FRM_PR64	7—0	RHS7—RHS0	Receive Highway Select Bits 7—0.

Framer Register Architecture (continued)**CHI Transmit Control Register (FRM_PR65)**

The default value of this register is 00 (hex).

Table 158. CHI Transmit Control Register (FRM_PR65) (YA1)

Bit	Symbol	Description
0	TBYOFF6	Transmit CHI 64-Byte Offset. A 1 enables a 64-byte offset from CHIFS to the beginning of the next transmit CHI frame on TCHIDATA. A 0 enables a 0-byte offset (if bit 0—bit 5 of FRM_PR47 = 0). Combing bit 0—bit 5 of FRM_PR47 with this bit allows programming the byte offset from 0—127.
1	TCHIDTS	Transmit CHI Double Time-Slot Mode. A 1 enables the transmit CHI double time-slot mode. In this mode, the CHI clock runs at twice the rate of TCHIDATA.
2—7	—	Reserved. Write to 0.

CHI Receive Control Register (FRM_PR66)

The default value of this register is 00 (hex).

Table 159. CHI Receive Control Register (FRM_PR66) (YA2)

Bit	Symbol	Description
0	RBYOFF6	Receive CHI 64-Byte Offset. A 1 enables a 64-byte offset from CHIFS to the beginning of the next receive CHI frame on RCHIDATA. A 0 enables a 0-byte offset (if bit 0—bit 5 of FRM_PR48 = 0). Combing bit 0—bit 5 of FRM_PR48 with this bit allows programming the byte offset from 0—127.
1	RCHIDTS	Receive CHI Double Time-Slot Mode. A 1 enables the transmit CHI double time-slot mode. In this mode, the CHI clock runs at twice the rate of RCHIDATA.
2—7	—	Reserved. Write to 0.

Framer Register Architecture (continued)

Reserved Parameter/Control Registers

Registers FRM_PR67 and FRM_PR68, addresses 6A3 and 6A4 or CA3 and CA4, are reserved. Write these registers to 0.

Auxiliary Pattern Generator Control Register (FRM_PR69)

The following register programs the auxiliary pattern generator in the transmit framer. The default value of this register is 00 (hex).

Table 160. Auxiliary Pattern Generator Control Register (FRM_PR69) (YA5)*

Bit	Symbol	Description			
0	ITD	Invert Transmit Data. Setting this bit to 1 inverts the transmitted pattern.			
1	TPEI	Test Pattern Error Insertion. Toggling this bit from a 0 to a 1 inserts a single bit error in the transmitted test pattern.			
2	GBLKSEL	Generator Block Select. Setting this bit to 1 enables the generation of test patterns in this register.			
3	GFRMSEL	Generator Frame Test Pattern. Setting this bit to 1 results in the generation of an unframed pattern. A 0 results in a framed pattern (T1 and CEPT).			
4—7	GPTRN0— GPTRN3	Generator Pattern Select. These 4 bits select which random pattern is to be transmitted.			
		Bits	Description	Generator Polynomial	Standard
		7 6 5 4			
		0 0 0 0	MARK (all ones) (AIS)	—	—
		0 0 0 1	QRSS ($2^{20} - 1$ with zero suppression)	$1+x^{-17}+x^{-20}$	O.151
		0 0 1 0	$2^5 - 1$	$1+x^{-3}+x^{-5}$	—
		0 0 1 1	$63 (2^6 - 1)$	$1+x^{-1}+x^{-6}$	—
		0 1 0 0	$511 (2^9 - 1)$	$1+x^{-5}+x^{-9}$	O.153
		0 1 0 1	$511 (2^9 - 1)$ reversed	$1+x^{-4}+x^{-9}$	—
		0 1 1 0	$2047 (2^{11} - 1)$	$1+x^{-9}+x^{-11}$	O.152
		0 1 1 1	$2047 (2^{11} - 1)$ reversed	$1+x^{-2}x^{-11}$	—
		1 0 0 0	$2^{15} - 1$	$1+x^{-14}+x^{-15}$	O.151
		1 0 0 1	$2^{20} - 1$	$1+x^{-3}+x^{-20}$	O.153
		1 0 1 0	$2^{20} - 1$	$1+x^{-17}+x^{-20}$	CB113/CB114
		1 0 1 1	$2^{23} - 1$	$1+x^{-18}+x^{-23}$	O.151
		1 1 0 0	1:1 (alternating)	—	—

* To generate test pattern signals using this register, register FRM_PR20 must be set to 00 (hex).

Framer Register Architecture (continued)**Pattern Detector Control Register (FRM_PR70)**

The following register programs the pattern detector in the receive framer. The default value of this register is 00 (hex). This register must be set to 00 (hex) before a pattern is selected or changed. This register must be set to 00 (hex) to clean register FRM_SR7. Once a selected pattern is detected, the detector remains locked to that alignment and all differences from the expected are reported as bit errors. Pattern-realignment can only occur following a reset of this register, setting it to 00 (hex).

Table 161. Pattern Detector Control Register (FRM_PR70) (YA6)*

Bit	Symbol	Description			
0	IRD	Invert Receive Data. Setting this bit to 1 enables the pattern detector to detect the inverse of the selected pattern.			
1	—	Reserved. Write to 0.			
2	DBLKSEL	Detector Block Select. Setting this bit to 1 enables the detection of test patterns in this register.			
3	DUFTP	Detect Unframed Test Pattern. Setting this bit to 1 results in the search for an unframed pattern. A 0 results in a search for a framed pattern (T1 and CEPT).			
4—7	DPTRN0— DPTRN3	Detector Pattern Select. These 4 bits select which random pattern is to be Detected.			
		Bits	Description	Generator Polynomial	Standard
		7 6 5 4			
		0 0 0 0	MARK (all ones) (AIS)	—	—
		0 0 0 1	QRSS ($2^{20} - 1$ with zero suppression)	$1+x^{-17}+x^{-20}$	O.151
		0 0 1 0	$2^5 - 1$	$1+x^{-3}+x^{-5}$	—
		0 0 1 1	$63 (2^6 - 1)$	$1+x^{-1}+x^{-6}$	—
		0 1 0 0	$511 (2^9 - 1)$	$1+x^{-5}+x^{-9}$	O.153
		0 1 0 1	$511 (2^9 - 1)$ reversed	$1+x^{-4}+x^{-9}$	—
		0 1 1 0	$2047 (2^{11} - 1)$	$1+x^{-9}+x^{-11}$	O.152
		0 1 1 1	$2047 (2^{11} - 1)$ reversed	$1+x^{-2}+x^{-11}$	—
		1 0 0 0	$2^{15} - 1$	$1+x^{-14}+x^{-15}$	O.151
		1 0 0 1	$2^{20} - 1$	$1+x^{-3}+x^{-20}$	O.153
		1 0 1 0	$2^{20} - 1$	$1+x^{-17}+x^{-20}$	CB113/CB114
		1 0 1 1	$2^{23} - 1$	$1+x^{-18}+x^{-23}$	O.151
		1 1 0 0	1:1 (alternating)	—	—

* To generate/detect test pattern signals using this register, register FRM_PR20 must be set to 00 (hex).

Framer Register Architecture (continued)

Transmit Signaling Registers: DS1 Format (FRM_TSR0—FRM_TSR23)

These registers program the transmit signaling registers for the DS1 and CEPT mode. The default value of these registers is 00 (hex).

Table 162. Transmit Signaling Registers: DS1 Format (FRM_TSR0—FRM_TSR23) (YE0—YF7)

Transmit Signal Registers	Bit 7	Bit 6	Bit 5	Bit 4	Bit 3	Bit 2	Bit 1	Bit 0
DS1 Transmit Signaling Registers (0—23)	P	G	F	X	D	C	B	A
ESF Format: Voice Channel with 16-State Signaling <i>SLC-96</i> : 9-State Signaling (depending on the setting in register FRM_PR43)	X	0	0	X	D	C	B	A
Voice Channel with 4-State Signaling	X	0	1	X	X	X	B	A
Voice Channel with 2-State Signaling	X	1	1	X	X	X	A	A
Data Channel (no signaling)	X	1	0	X	X	X	X	X

Transmit Signaling Registers: CEPT Format (FRM_TSR0—FRM_TSR31)

Table 163. Transmit Signaling Registers: CEPT Format (FRM_TSR0—FRM_TSR31) (YE0—YFF)

Transmit Signal Registers	Bit 7	Bit 6—5	Bit 4*	Bit 3	Bit 2	Bit 1	Bit 0
FRM_TSR1—FRM_TSR15	P	X	E[1:15]	D[1:15]	C[1:15]	B[1:15]	A[1:15]
FRM_TSR17—FRM_TSR31	P	X	E[17:31]	D[17:31]	C[17:31]	B[17:31]	A[17:31]

* In PCS0 or PCS1 signaling mode, this bit is undefined.

FDL Register Architecture

REGBANK9—REGBANK12 contain the status and programmable control registers for the facility data link channels FDL1—FDL8, respectively. The base address for REGBANK9 is A00 (hex), REGBANK10 is B00 (hex), REGBANK11 is C00 (hex), and for REGBANK12 is D00 (hex). Within these register banks, the bit map is identical for FDL1—FDL8.

The register bank architecture for FDL1—FDL8 is shown in Table 164. The register bank consists of 8-bit registers classified as either (programmable) parameter registers or status registers. Default values are shown in parentheses.

Table 164. FDL Register Set ((A00—A0E); (A20—A2E); (B00—B0E); (B20—B2E) (C00—C0E); (C20—C2E); (D00—D0E); (D20—D2E))

FDL Register	Register Address* (hexadecimal)		Bit 7	Bit 6	Bit 5	Bit 4	Bit 3	Bit 2	Bit 1	Bit 0
	FDL 1 FDL 3 FDL 5 FDL 7	FDL 2 FDL 4 FDL 6 FDL 8								
FDL_PR0	Y00	Y20	FRANSIT3 (1)	FRANSIT2 (0)	FRANSIT1 (1)	FRANSIT0 (0)	Reserved (0)	Reserved (0)	FLAGS (0)	FDINT (0)
FDL_PR1	Y01	Y21	FTPRM (0)	FRPF (0)	FTR (0)	FRR (0)	FTE (0)	FRE (0)	FLLB (0)	FRLB (0)
FDL_PR2	Y02	Y22	FTBCRC (0)	FRIIE (0)	FROVIE (0)	FREOFIE (0)	FRFIE (0)	FTUNDIE (0)	FTEIE (0)	FTDIE (0)
FDL_PR3	Y03	Y23	FTFC (0)	FTABT (0)	FTIL5 (0)	FTIL4 (0)	FTIL3 (0)	FTIL2 (0)	FTIL1 (0)	FTILO (0)
FDL_PR4	Y04	Y24	FTD7 (0)	FTD6 (0)	FTD5 (0)	FTD4 (0)	FTD3 (0)	FTD2 (0)	FTD1 (0)	FTD0 (0)
FDL_PR5	Y05	Y25	FTIC7 (0)	FTIC6 (0)	FTIC5 (0)	FTIC4 (0)	FTIC3 (0)	FTIC2 (0)	FTIC1 (0)	FTIC0 (0)
FDL_PR6	Y06	Y26	FRANSIE (0)	AFDLBPM (0)	FRIL5 (0)	FRIL4 (0)	FRIL3 (0)	FRIL2 (0)	FRIL1 (0)	FRILO (0)
FDL_PR8	Y08	Y28	FRMC7 (0)	FRMC6 (0)	FRMC5 (0)	FRMC4 (0)	FRMC3 (0)	FRMC2 (0)	FRMC1 (0)	FRMC0 (0)
FDL_PR9	Y09	Y29	Reserved (0)	FTM (0)	FMATCH (0)	FALOCT (0)	FMSTAT (0)	FOCTOF2 (0)	FOCTOF1 (0)	FOCTOF0 (0)
FDL_PR10	Y0A	Y2A	FTANSI (0)	Reserved (0)	FTANSI5 (0)	FTANSI4 (0)	FTANSI3 (0)	FTANSI2 (0)	FTANSI1 (0)	FTANSI0 (0)
FDL_SR0	Y0B	Y2B	FRANSI	FRIDL	FROVERUN	FREOF	FRF	FTUNDBABT	FTEM	FTDONE
FDL_SR1	Y0C	Y2C	FTED	FTQS6	FTQS5	FTQS4	FTQS3	FTQS2	FTQS1	FTQS0
FDL_SR2	Y0D	Y2D	FREOF	FRQS6	FRQS5	FRQS4	FRQS3	FRQS2	FRQS1	FRQS0
FDL_SR3	Y0E	Y2E	0	0	X5	X4	X3	X2	X1	X0
FDL_SR4	Y07	Y27	FRD7	FRD6	FRD5	FRD4	FRD3	FRD2	FRD1	FRD0

* For FDL 1 and FDL 2, Y = A; for FDL 3 and FDL 4, Y = B; for FDL 5 and FDL 6, Y = C; for FDL 7 and FDL 8, Y = D.

FDL Parameter/Control Registers ((A00—A0E); (A20—A2E); (B00—B0E); (B20—B2E) (C00—C0E); (C20—C2E); (D00—D0E); (D20—D2E))

These registers define the mode configuration of each framer unit. These registers are initially set to a default value upon a hardware reset. These registers are all read/write registers.

Default states of all bits in this register group are also indicated in the parameter/control register map.

Table 165. FDL Configuration Control Register (FDL_PR0) (A00; A20; B00; B20; C00; C20; D00; D20)

Bit	Symbol	Description
0	FDINT	Dynamic Interrupt. FDINT = 0 causes multiple occurrences of the same event to generate a single interrupt before the interrupt bit is cleared by reading register FDL_SR0. FDINT = 1 causes multiple interrupts to be generated. This bit should normally be set to 0.
1	FLAGS	Flags. FLAGS = 0 forces the transmission of the idle pattern (1111111) in the absence of transmit FDL information. FLAGS = 1 forces the transmission of the flag pattern (01111110) in the absence of transmit FDL information. This bit resets to 0.
2—3	—	Reserved. Write to 0.
4—7	FRANSIT0—FRANSIT3	Receive ANSI Bit Code Threshold. These bits define the number of ESF ANSI bit codes needed for indicating a valid code. The default is ten (1010 (binary))*.

* The FRANSIT bits (FDL_PR0 bits 4—7) must be changed only following an FDL reset or when the FDL is idle.

Table 166. FDL Control Register (FDL_PR1) (A01; A21; B01; B21; C01; C21; D01; D21)

Bit	Symbol	Description
0	FRLB	Remote Loopback. FRLB = 1 loops the received facility data back to the transmit facility data interface. This bit resets to 0.
1	FLLB	Local Loopback. FLLB = 1 loops transmit facility data back to the receive facility data link interface. The receive facility data link information from the framer interface is ignored. This bit resets to 0.
2	FRE	FDL Receiver Enable. FRE = 1 activates the FDL receiver. FRE = 0 forces the FDL receiver into an inactive state. This bit resets to 0.
3	FTE	FDL Transmitter Enable. FTE = 1 activates the FDL transmitter. FTE = 0 forces the FDL transmitter into an inactive state. This bit resets to 0.
4	FRR	FDL Receiver Reset. FRR = 1 generates an internal pulse that resets the FDL receiver. The FDL receiver FIFO and related circuitry are cleared. The FREF, FRF, FRIDL, and OVERRUN interrupts are cleared. This bit resets to 0.
5	FTR	FDL Transmitter Reset. FTR = 1 generates an internal pulse that resets the FDL transmitter. The FDL transmit FIFO and related circuitry are cleared. The FTUNDABT bit is cleared, and the FTEM interrupt is set; the FTDONE bit is forced to 0 in the HDLC mode and forced to 1 in the transparent mode. This bit resets to 0.
6	FRPF	FDL Receive PRM Frames. FRPF = 1 allows the receive FDL unit to write the entire receive performance report message including the frame header and CRC data into the receive FDL FIFO. This bit resets to 0.
7	FTPRM	Transmit PRM Enable. When this bit is set, the receive framer will write into the transmit FDL FIFO its performance report message data. The current second of this data is stored in the receive framer's status registers. The receive framer's PRM is transmitted once per second. The PRM is followed by either idles or flags transmitted after the PRM. When this bit is 0, the transmit FDL expects data from the microprocessor interface.

FDL Parameter/Control Registers ((A00—A0E); (A20—A2E); (B00—B0E); (B20—B2E) (C00—C0E); (C20—C2E); (D00—D0E); (D20—D2E)) (continued)**Table 167. FDL Interrupt Mask Control Register (FDL_PR2) (A02; A22; B02; B22; C02; C22; D02; D22)**

Bit	Symbol	Description
0	FTDIE	FDL Transmit-Done Interrupt Enable. When this interrupt enable bit is set, an INTERRUPT pin transition is generated after the last bit of the closing flag or abort sequence is sent. In the transparent mode (register FDL_PR9 bit 6 = 1), an INTERRUPT pin transition is generated when the transmit FIFO is completely empty. FTDIE is cleared upon reset.
1	FTEIE	FDL Transmitter-Empty Interrupt Enable. When this interrupt-enable bit is set, an INTERRUPT pin transition is generated when the transmit FIFO has reached the programmed empty level (see register FDL_PR3). FTEIE is cleared upon reset.
2	FTUNDIE	FDL Transmit Underrun Interrupt Enable. When this interrupt-enable bit is set, an INTERRUPT pin transition is generated when the transmit FIFO has underrun. FTUNDIE is cleared upon reset and is not used in the transparent mode.
3	FRFIE	FDL Receiver-Full Interrupt Enable. When this interrupt-enable bit is set, an INTERRUPT pin transition is generated when the receive FIFO has reached the programmed full level (see register FDL_PR6). FRFIE is cleared upon reset.
4	FREOFIE	FDL Receive End-of-Frame Interrupt Enable. When this interrupt-enable bit is set, an INTERRUPT pin transition is generated when an end-of-frame is detected by the FDL receiver. FREOFIE is cleared upon reset and is not used in the transparent mode.
5	FROVIE	FDL Receiver Overrun Interrupt Enable. When this interrupt-enable bit is set, an INTERRUPT pin transition is generated when the receive FIFO overruns. FROVIE is cleared upon reset.
6	FRIIE	FDL Receiver Idle-Interrupt Enable. When this interrupt-enable bit is set, an INTERRUPT pin transition is generated when the receiver enters the idle state. FRIIR is cleared upon reset and is not used in the transparent mode.
7	FTBCRC	FDL Transmit Bad CRC. Setting this bit to 1 forces bad CRCs to be sent on all transmitted frames (for test purposes) until the FTBCRC bit is cleared to 0.

FDL Parameter/Control Registers ((A00—A0E); (A20—A2E); (B00—B0E); (B20—B2E) (C00—C0E); (C20—C2E); (D00—D0E); (D20—D2E)) (continued)

Table 168. FDL Transmitter Configuration Control Register (FDL_PR3) (A03; A23; B03; B23; C03; C23; D03; D23)

Bit	Symbol	Description
0—5	FTILO—FTIL5	FDL Transmitter Interrupt Level. These bits specify the minimum number of empty positions in the transmit FIFO which triggers a transmitter-empty (FTEM) interrupt. Encoding is in binary; bit 0 is the least significant bit. A code of 001010 will generate an interrupt when the transmit FIFO has ten or more empty locations. The code 000000 generates an interrupt when the transmit FIFO is empty. The number of empty transmit FIFO locations is obtained by reading the transmit FDL status register FDL_SR1.
6 ¹	FTABT	FDL Transmitter Abort. FTABT = 1 forces the transmit FDL unit to abort the frame at the last user data byte waiting for transmission. When the transmitter reads the byte tagged with FTABT, the abort sequence (01111111) is transmitted in its place. A full byte is guaranteed to be transmitted. Once set for a specific data byte, the internal FTABT status cannot be cleared by writing to this bit. Clearing this bit has no effect on a previously written FTABT. The last value written to FTABT is available for reading.
7 ¹	FTFC	FDL Transmitter Frame Complete. FTFC = 1 forces the transmit FDL unit to terminate the frame normally after the last user data byte is written to the transmit FIFO. The CRC sequence and a closing flag are appended. FTFC should be set to 1 within 1 ms of writing the last byte of the frame in the transmit FIFO. When the transmit FIFO is empty, writing two data bytes to the FIFO before setting FTFC provides a minimum of 1 ms to write FTFC = 1. Once set for a specific data byte, the internal FTFC status bit cannot be cleared by writing to this bit. Clearing this bit has no effect on a previously written FTFC. The last value written to FTFC is available for reading.

1. Do not set FTABT = 1 and FTFC = 1 at the same time.

Table 169. FDL Transmitter FIFO Register (FDL_PR4) (A04; A24; B04; B24; C04; C24; D04; D24)

Bit	Symbol	Description
0—7	FTD0—FTD7	FDL Transmit Data. The user data to be transmitted via the FDL block are loaded through this register.

Table 170. FDL Transmitter Idle Character Register (FDL_PR5) (A05; A25; B05; B25; C05; C25; D05; D25)

Bit	Symbol	Description
0—7	FTIC0—FTIC7	FDL Transmitter Idle Character. This character is used only in transparent mode (register FDL_PR9 bit 6 = 1). When the pattern match bit (register FDL_PR9 bit 5) is set to 1, the FDL transmit unit sends this character whenever the transmit FIFO is empty. The default is to send the ones idle character, but any character can be programmed by the user.

FDL Parameter/Control Registers ((A00—A0E); (A20—A2E); (B00—B0E); (B20—B2E) (C00—C0E); (C20—C2E); (D00—D0E); (D20—D2E)) (continued)**Table 171. FDL Receiver Interrupt Level Control Register (FDL_PR6) (A06; A26; B06; B26; C06; C26; D06; D26)**

Bit	Symbol	Description
0—5	FRIL0—FRIL5	FDL Receive Interrupt Level. Bit 0—bit 5 define receiver FIFO full threshold value that will generate the corresponding FRF interrupt. FRIL = 000000 forces the receive FDL FIFO to generate an interrupt when the receive FIFO is completely full. FRIL = 001111 will force the receive FDL FIFO to generate an interrupt when the receive FIFO contains 15 or more bytes.
6	—	Reserved. Write to 0.
7	FRANSIE	FDL Receiver <i>ANSI</i> Bit Codes Interrupt Enable. If this bit is set to 1, an interrupt pin condition is generated whenever a valid <i>ANSI</i> code is received.

Table 172. FDL Register FDL_PR7

Bit	Symbol	Description
0—7	—	Reserved.

Table 173. FDL Receiver Match Character Register (FDL_PR8) (A08; A28; B08; B28; C08; C28; D08; D28)

Bit	Symbol	Description
0—7	FRMC0—FRMC7	Receiver FDL Match Character. This character is used only in transparent mode (register FDL_PR9 bit 6 = 1). When the pattern match bit (register FDL_PR9 bit 5) is set to 1, the receive FDL unit searches the incoming bit stream for the receiver match character. Data is loaded into the receive FIFO only after this character has been identified. The byte identified as matching the receiver match character is the first byte loaded into the receive FIFO. The default is to search for a flag, but any character can be programmed by the user. The search for the receiver match character can be in a sliding window fashion (register FDL_PR9 bit 4 = 0) or only on byte boundaries (register FDL_PR9 bit 4 = 1).

FDL Parameter/Control Registers ((A00—A0E); (A20—A2E); (B00—B0E); (B20—B2E) (C00—C0E); (C20—C2E); (D00—D0E); (D20—D2E)) (continued)

Table 174. FDL Transparent Control Register (FDL_PR9) (A09; A29; B09; B29; C09; C29; D09; D29)

Bit	Symbol	Description
0—2	FOCTOF0— FOCTOF2	FDL Octet Offset (Read Only). These bits record the offset relative to the octet boundary when the receive character was matched. The FOCTOF bits are valid when register FDL_PR9 bit 3 (FMSTAT) is set to 1. A value of 111 (binary) indicates byte alignment.
3	FMSTAT	Match Status (Read Only). When this bit is set to 1 by the receive FDL unit, the receiver match character has been recognized. The octet offset status bits (FDL_PR9 bit[2:0]) indicates the offset relative to the octet boundary* at which the receive character was matched. If no match is being performed (register FDL_PR9 bit 5 = 0), the FMSTAT bit is set to 1 automatically when the first byte is received, and the octet offset status bits (register FDL_PR9 bit 0—bit 2) are set to 111 (binary).
4	FALOCT	Frame-Sync Align. When this bit is set to 1, the receive FDL unit searches for the receive match character (FDL-PR8) only on an octet boundary. When this bit is 0, the receive FDL unit searches for the receive match character in a sliding window fashion.
5	FMATCH	Pattern Match. FMATCH affects both the transmitter and receiver. When this bit is set to 1, the FDL does not load data into the receive FIFO until the receive match character programmed in register FDL_PR8 has been detected. The search for the receive match character is in a sliding window fashion if register FDL_PR9 bit 4 is 0, or only on octet boundaries if register FDL_PR9 bit 4 is set to 1. When this bit is 0, the receive FDL unit loads the matched byte and all subsequent data directly into the receive FIFO. On the transmit side, when this bit is set to 1 the transmitter sends the transmit idle character programmed into register FDL_PR5 when the transmit FIFO has no user data. The default idle is to transmit the HDLC ones idle character (FF hexadecimal); however, any value can be used by programming the transmit idle character register FDL_PR5. If this bit is 0, the transmitter sends ones idle characters when the transmit FIFO is empty.
6	FTM	FDL Transparent Mode. When this bit is set to 1, the FDL unit performs no HDLC processing on incoming or outgoing data.
7	—	Reserved. Write to 0.

* The octet boundary is relative the first receive clock edge after the receiver has been enabled (ENR, FDL_PR1 bit 2 = 1).

Table 175. FDL Transmit ANSI/ESF Bit Codes (FDL_PR10) (A0A; A2A; B0A; B2A; C0A; C2A; D0A; D2A)

Bit	Symbol	Description
0—5	FTANSI0— FTANSI5	FDL ESF Bit-Oriented Message Data. The transmit ESF FDL bit messages are in the form 11111110X0X1X2X3X4X50, where the order of transmission is from left to right.
6	—	Reserved. Write to 0.
7	FTANSI	Transmit ANSI/Bit Codes. When this bit is set to 1, the FDL unit will continuously transmit the ANSI/ code defined using register FDL_PR10 bit 0—bit 5 as the ESF bit code messages. This bit must stay high long enough to ensure the ANSI/ code is sent at least 10 times.

FDL Parameter/Control Registers ((A00—A0E); (A20—A2E); (B00—B0E); (B20—B2E) (C00—C0E); (C20—C2E); (D00—D0E); (D20—D2E)) (continued)**Table 176. FDL Interrupt Status Register (Clear on Read) (FDL_SR0) (A0B; A2B; B0B; B2B; C0B; C2B; D0B; D2B)**

Bit	Symbol	Description
0	FTDONE	Transmit Done. This status bit is set to 1 when transmission of the current FDL frame has been completed, either after the last bit of the closing flag or after the last bit of an abort sequence. In the transparent mode (FDL_PR9 bit 6 = 1), this status bit is set when the transmit FIFO is completely empty. A hardware interrupt is generated only if the corresponding interrupt-enable bit (FDL_PR2 bit 0) is set. This status bit is cleared to 0 by a read of this register.
1	FTEM	Transmitter Empty. If this bit is set to 1, the FDL transmit FIFO is at or below the programmed depth. A hardware interrupt is generated only if the corresponding interrupt-enable bit (FDL_PR2 bit 1) is set. If DINT (FDL_PR0 bit 0) is 0, this status bit is cleared by a read of this register. If FDINT (FDL_PR0 bit 0) is set to 1, this bit actually represents the dynamic transmit empty condition, and is cleared to 0 only when the transmit FIFO is loaded above the programmed empty level.
2	FTUNDABT	FDL Transmit Underrun Abort. A 1 indicates that an abort was transmitted because of a transmit FIFO underrun. A hardware interrupt is generated only if the corresponding interrupt-enable bit (FDL_PR2 bit 2) is set. This status bit is cleared to 0 by a read of this register. This bit must be cleared to 0 before further transmission of data is allowed. This interrupt is not generated in the transparent mode.
3	FRF	FDL Receiver Full. This bit is set to 1 when the receive FIFO is at or above the programmed full level (FDL_PR6). A hardware interrupt is generated if the corresponding interrupt-enable bit (FDL_PR2 bit 3) is set. If FDINT (FDL_PR0 bit 0) is 0, this status bit is cleared to 0 by a read of this register. If FDINT (FDL_PR0 bit 0) is set to 1, then this bit is cleared only when the receive FIFO is read (or emptied) below the programmed full level*.
4	FREOF	FDL Receive End of Frame. This bit is set to 1 when the receiver has finished receiving a frame. It becomes 1 upon reception of the last bit of the closing flag of a frame or the last bit of an abort sequence. A hardware interrupt is generated only if the corresponding interrupt-enable bit (FDL_PR2 bit 4) is set. This status bit is cleared to 0 by a read of this register. This interrupt is not generated in the transparent mode.
5	FROVERUN	FDL Receiver Overrun. This bit is set to 1 when the receive FIFO has overrun its capacity. A hardware interrupt is generated only if the corresponding interrupt-enable bit (FDL_PR2 bit 5) is set. This status bit is cleared to 0 by a read of this register*.
6	FRIDL	FDL Receiver Idle. This bit is set to 1 when the FDL receiver is idle (i.e., 15 or more consecutive ones have been received). A hardware interrupt is generated only if the corresponding interrupt-enable bit (FDL_PR2 bit 6) is set. This status bit is cleared to 0 by a read of this register. This interrupt is not generated in the transparent mode.
7	FRANSI	FDL Receive ANS/Bit Codes. This bit is set to 1 when the FDL receiver recognizes a valid T1.403 ESF FDL bit code. The receive ANS/ bit code is stored in register FDL_SR3. An interrupt is generated only if the corresponding interrupt enable of register FDL_PR6 bit 7 = 1. This status bit is cleared to 0 by a read this register.

* If an FDL receive FIFO overrun occurs, as indicated by register FDL_SR0 bit 5 (FROVERUN) = 1, the FDL must be reset to restore proper operation of the FIFO. Following an FDL receive FIFO overrun, data extracted prior to the required reset may be corrupted.

FDL Parameter/Control Registers ((A00—A0E); (A20—A2E); (B00—B0E); (B20—B2E) (C00—C0E); (C20—C2E); (D00—D0E); (D20—D2E)) (continued)

Table 177. FDL Transmitter Status Register (FDL_SR1) (A0C; A2C; B0C; B2C; C0C; C2C; D0C; D2C)

Bit	Symbol	Description
0—6	FTQS0— FTQS6	FDL Transmit Queue Status. Bit 0—bit 6 indicate how many bytes can be added to the transmit FIFO*. The bits are encoded in binary where bit 0 is the least significant bit.
7	FTED	FDL Transmitter Empty Dynamic. FTED = 1 indicates that the number of empty locations available in the transmit FIFO is greater than or equal to the value programmed in the FTIL bits (FDL_PR3).

* The count of FDL_SR1 bits 0—6 includes SF byte.

Table 178. FDL Receiver Status Register (FDL_SR2) (A0D; A2D; B0D; B2D; C0D; C2D; D0D; D2D)

Bit	Symbol	Description
0—6	FRQS0— FRQS6	FDL Receive Queue Status. Bit 0—bit 6 indicate how many bytes are in the receive FIFO, including the first status of Frame (SF) byte . The bits are encoded in binary where bit 0 is the least significant bit*.
7	FEOF	FDL End of Frame. When FEOF = 1, the receive queue status indicates the number of bytes up to and including the first SF byte.

* Immediately following an FDL reset, the value in bit 0—bit 6 of this status register is 0. After the initial read of the FDL receive FIFO, the value in bit 0—bit 6 of this status register is the number of bytes, including SF byte, that may be read from the FIFO.

Received FDL ANS/Bit Codes Status Register (FDL_SR3)

The 6-bit code extracted from the ANS/ code 111111110X0X1X2X3X4X50 is stored in this register.

Table 179. Receive ANS/FDL Status Register (FDL_SR3) (A0E; A2E; B0E; B2E; C0E; C2E; D0E; D2E)

B7	B6	B5	B4	B3	B2	B1	B0
0	0	X5	X4	X3	X2	X1	X0

Receive FDL FIFO Register (FDL_SR4)

This FIFO stores the received FDL data. Only valid FIFO bytes indicated in register FDL_SR2 may be read. Reading nonvalid FIFO locations or reading the FIFO when it is empty will corrupt the FIFO pointer and will require an FDL reset to restore proper FDL operation.

Table 180. FDL Receiver FIFO Register (FDL_SR4) (A07; A27; B07; B27; C07; C27; D07; D27)

Bit	Symbol	Description
0—7	FRD0—FRD7	FDL Receive Data. The user data received via the FDL block are read through this register.

Register Maps

Global Registers

Table 181. Global Register Set

Register	Clear on Read (COR) Read (R) Write (W)	Bit 7	Bit 6	Bit 5	Bit 4	Bit 3	Bit 2	Bit 1	Bit 0	Register Address (hex)
GREG0	COR	FRMR8_INT (0)	FRMR7_INT (0)	FRMR6_INT (0)	FRMR5_INT (0)	FRMR4_INT (0)	FRMR3_INT (0)	FRMR2_INT (0)	FRMR1_INT (0)	000
GREG1	R/W	FRMR8IE (0)	FRMR7IE (0)	FRMR6IE (0)	FRMR5IE (0)	FRMR4IE (0)	FRMR3IE (0)	FRMR2IE (0)	FRMR1IE (0)	001
GREG2	R/W	FDL8_INT (0)	FDL7_INT (0)	FDL6_INT (0)	FDL5_INT (0)	FDL4_INT (0)	FDL3_INT (0)	FDL2_INT (0)	FDL1_INT (0)	002
GREG3	R/W	FDL8IE (0)	FDL7IE (0)	FDL6IE (0)	FDL5IE (0)	FDL4E (0)	FDL3IE (0)	FDL2IE (0)	FDL1IE (0)	003
GREG4	R/W	Reserved (0)	IPC (0)	Reserved (0)	ITSC (0)	Reserved (0)	SECCTRL0 (0)	SECCTRL1 (0)	SECCTRL2 (0)	004
GREG5	R	1	1	1	1	1	0	0	0	005
GREG6	R	0	0	0	0	0	0	1	1	006
GREG7	R	0	0	0	0	0	0	0	1	007
GREG8	R/W	Reserved (0)	DIVMUX0 (0)	DIVMUX1 (0)	DIVMUX2 (0)	Reserved (0)	LOMUX0 (0)	LOMUX1 (0)	LOMUX2 (0)	008
GREG9	R/W	EIPLLCK8 (0)	EIPLLCK7 (0)	EIPLLCK6 (0)	EIPLLCK5 (0)	EIPLLCK4 (0)	EIPLLCK3 (0)	EIPLLCK2 (0)	EIPLLCK1 (0)	009

Register Maps (continued)

Framer Parameter/Control Registers (Read-Write)

The address of the registers is shown with the most significant digit, designated by Y, which is used to identify each framer (for framer 1—framer 8, Y = 2—9, respectively).

Table 182. Framer Unit Status Register Map

Framer Status	Clear on Read (COR) Read (R) Write (W)	Bit 7	Bit 6	Bit 5	Bit 4	Bit 3	Bit 2	Bit 1	Bit 0	Register Address (hex)
										Framer 1—8
FRM_SR0	COR	S96SR	0	RSSFE	TSSFE	ESE	FAE	RAC	FAC	Y00
FRM_SR1	COR	AIS	AUXP	RTS16AIS	LBFA	LFALR	LTSFA LTSOMFA	LSFA LTS16MFA	LFA	Y01
FRM_SR2	COR	RSa6=F	RSa6=E	RSa6=C	RSa6=A	RSa6=8	CREBIT	RJA RTS16MFA	RFA	Y02
FRM_SR3	COR	SLIPU	SLIPO	LCRCATMX	REBIT	ECE	CRCE	FBE	LFV	Y03
FRM_SR4	COR	FDL-LLBOFF TSaSR	FDL-LLBON RSaSR	FDL-PLBOFF	FDL-PLBON	LLBON CMA	LLBOFF BFA	SSFA	NFA	Y04
FRM_SR5	COR	ETREUAS	ETRESES	ETREBES	ETREES	ETUAS	ETSES	ETBES	ETES	Y05
FRM_SR6	COR	NTREUAS	NTRESES	NTREBES	NTREES	NTUAS	NTSES	NTBES	NTES	Y06
FRM_SR7	COR	RQUASI	RPSEUDO	PTRNBER	DETECT	NROUAS	NT1OUAS	EROUAS	OUAS	Y07
FRM_SR8	COR	BPV15	BPV14	BPV13	BPV12	BPV11	BPV10	BPV9	BPV8	Y08
FRM_SR9	COR	BPV7	BPV6	BPV5	BPV4	BPV3	BPV2	BPV1	BPV0	Y09
FRM_SR10	COR	FE15	FE14	FE13	FE12	FE11	FE10	FE9	FE8	Y0A
FRM_SR11	COR	FE7	FE6	FE5	FE4	FE3	FE2	FE1	FE0	Y0B
FRM_SR12	COR	CEC15	CEC14	CEC13	CEC12	CEC11	CEC10	CEC9	CEC8	Y0C
FRM_SR13	COR	CEC7	CEC6	CEC5	CEC4	CEC3	CEC2	CEC1	CEC0	Y0D
FRM_SR14	COR	REC15	REC14	REC13	REC12	REC11	REC10	REC9	REC8	Y0E
FRM_SR15	COR	REC7	REC6	REC5	REC4	REC3	REC2	REC1	REC0	Y0F
FRM_SR16	COR	CNT15	CNT14	CNT13	CNT12	CNT11	CNT10	CNT9	CNT8	Y10
FRM_SR17	COR	CNT7	CNT6	CNT5	CNT4	CNT3	CNT2	CNT1	CNT0	Y11
FRM_SR18	COR	ENT15	ENT14	ENT13	ENT12	ENT11	ENT10	ENT9	ENT8	Y12
FRM_SR19	COR	ENT7	ENT6	ENT5	ENT4	ENT3	ENT2	ENT1	ENT0	Y13
FRM_SR20	COR	ETES15	ETES14	ETES13	ETES12	ETES11	ETES10	ETES9	ETES8	Y14
FRM_SR21	COR	ETES7	ETES6	ETES5	ETES4	ETES3	ETES2	ETES1	ETES0	Y15
FRM_SR22	COR	ETBES15	ETBES14	ETBES13	ETBES12	ETBES11	ETBES10	ETBES9	ETBES8	Y16
FRM_SR23	COR	ETBES7	ETBES6	ETBES5	ETBES4	ETBES3	ETBES2	ETBES1	ETBES0	Y17
FRM_SR24	COR	ETSES15	ETSES14	ETSES13	ETSES12	ETSES11	ETSES10	ETSES9	ETSES8	Y18
FRM_SR25	COR	ETSES7	ETSES6	ETSES5	ETSES4	ETSES3	ETSES2	ETSES1	ETSES0	Y19
FRM_SR26	COR	ETUS15	ETUS14	ETUS13	ETUS12	ETUS11	ETUS10	ETUS9	ETUS8	Y1A
FRM_SR27	COR	ETUS7	ETUS6	ETUS5	ETUS4	ETUS3	ETUS2	ETUS1	ETUS0	Y1B
FRM_SR28	COR	ETREES15	ETREES14	ETREES13	ETREES12	ETREES11	ETREES10	ETREES9	ETREES8	Y1C
FRM_SR29	COR	ETREES7	ETREES6	ETREES5	ETREES4	ETREES3	ETREES2	ETREES1	ETREES0	Y1D
FRM_SR30	COR	ETREBES15	ETREBES14	ETREBES13	ETREBES12	ETREBES11	ETREBES10	ETREBES9	ETREBES8	Y1E
FRM_SR31	COR	ETREBES7	ETREBES6	ETREBES5	ETREBES4	ETREBES3	ETREBES2	ETREBES1	ETREBES0	Y1F
FRM_SR32	COR	ETRESES15	ETRESES14	ETRESES13	ETRESES12	ETRESES11	ETRESES10	ETRESES9	ETRESES8	Y20
FRM_SR33	COR	ETRESES7	ETRESES6	ETRESES5	ETRESES4	ETRESES3	ETRESES2	ETRESES1	ETRESES0	Y21
FRM_SR34	COR	ETREUS15	ETREUS14	ETREUS13	ETREUS12	ETREUS11	ETREUS10	ETREUS9	ETREUS8	Y22
FRM_SR35	COR	ETREUS7	ETREUS6	ETREUS5	ETREUS4	ETREUS3	ETREUS2	ETREUS1	ETREUS0	Y23

Register Maps (continued)

Table 182. Framer Unit Status Register Map (continued)

Framer Status	Clear on Read (COR) Read (R) Write (W)	Bit 7	Bit 6	Bit 5	Bit 4	Bit 3	Bit 2	Bit 1	Bit 0	Register Address (hex)
										Framer 1—8
FRM_SR36	COR	NTES15	NTES14	NTES13	NTES12	NTES11	NTES10	NTES9	NTES8	Y24
FRM_SR37	COR	NTES7	NTES6	NTES5	NTES4	NTES3	NTES2	NTES1	NTES0	Y25
FRM_SR38	COR	NTBES15	NTBES14	NTBES13	NTBES12	NTBES11	NTBES10	NTBES9	NTBES8	Y26
FRM_SR39	COR	NTBES7	NTBES6	NTBES5	NTBES4	NTBES3	NTBES2	NTBES1	NTBES0	Y27
FRM_SR40	COR	NTSES15	NTSES14	NTSES13	NTSES12	NTSES11	NTSES10	NTSES9	NTSES8	Y28
FRM_SR41	COR	NTSES7	NTSES6	NTSES5	NTSES4	NTSES3	NTSES2	NTSES1	NTSES0	Y29
FRM_SR42	COR	NTUS15	NTUS14	NTUS13	NTUS12	NTUS11	NTUS10	NTUS9	NTUS8	Y2A
FRM_SR43	COR	NTUS7	NTUS6	NTUS5	NTUS4	NTUS3	NTUS2	NTUS1	NTUS0	Y2B
FRM_SR44	COR	NTRRES15	NTRRES14	NTRRES13	NTRRES12	NTRRES11	NTRRES10	NTRRES9	NTRRES8	Y2C
FRM_SR45	COR	NTRRES7	NTRRES6	NTRRES5	NTRRES4	NTRRES3	NTRRES2	NTRRES1	NTRRES0	Y2D
FRM_SR46	COR	NTRBES15	NTRBES14	NTRBES13	NTRBES12	NTRBES11	NTRBES10	NTRBES9	NTRBES8	Y2E
FRM_SR47	COR	NTRBES7	NTRBES6	NTRBES5	NTRBES4	NTRBES3	NTRBES2	NTRBES1	NTRBES0	Y2F
FRM_SR48	COR	NTRSES15	NTRSES14	NTRSES13	NTRSES12	NTRSES11	NTRSES10	NTRSES9	NTRSES8	Y30
FRM_SR49	COR	NTRSES7	NTRSES6	NTRSES5	NTRSES4	NTRSES3	NTRSES2	NTRSES1	NTRSES0	Y31
FRM_SR50	COR	NTRREUS15	NTRREUS14	NTRREUS13	NTRREUS12	NTRREUS11	NTRREUS10	NTRREUS9	NTRREUS8	Y32
FRM_SR51	COR	NTRREUS7	NTRREUS6	NTRREUS5	NTRREUS4	NTRREUS3	NTRREUS2	NTRREUS1	NTRREUS0	Y33
FRM_SR52	COR	NFB1 [F15E]	FBI [F13E]	A bit	Sa4	Sa5	Sa6	Sa7	Sa8	Y34
FRM_SR53	COR	0	0	0	0	0	RX2	RX1	RX0	Y35
FRM_SR54*	COR	0 [Sa4-1]	0 [Sa4-3]	R-0 [Sa4-5]	R-0 [Sa4-7]	R-0 [Sa4-9]	R-1 [Sa4-11]	R-1 [Sa4-13]	R-1 [Sa4-15]	Y36
FRM_SR55*	COR	0 [Sa4-17]	0 [Sa4-19]	R-0 [Sa4-21]	R-0 [Sa4-23]	R-0 [Sa4-25]	R-1 [Sa4-27]	R-1 [Sa4-29]	R-1 [Sa4-31]	Y37
FRM_SR56*	COR	RC1 [Sa5-1]	RC2 [Sa5-3]	RC3 [Sa5-5]	RC4 [Sa5-7]	RC5 [Sa5-9]	RC6 [Sa5-11]	RC7 [Sa5-13]	RC8 [Sa5-15]	Y38
FRM_SR57*	COR	RC9 [Sa5-17]	RC10 [Sa5-19]	RC11 [Sa5-21]	RSPB1 = 0 [Sa5-23]	RSPB2 = 1 [Sa5-25]	RSPB3 = 0 [Sa5-27]	RM1 [Sa5-29]	RM2 [Sa5-31]	Y39
FRM_SR58*	COR	RM3 [Sa6-1]	RA1 [Sa6-3]	RA2 [Sa6-5]	RS1 [Sa6-7]	RS2 [Sa6-9]	RS3 [Sa6-11]	RS4 [Sa6-13]	RSPB4 = 1 [Sa6-15]	Y3A
FRM_SR59*	COR	0 [Sa6-17]	0 [Sa6-19]	0 [Sa6-21]	0 [Sa6-23]	0 [Sa6-25]	0 [Sa6-27]	0 [Sa6-29]	0 [Sa6-31]	Y3B
FRM_SR60*	COR	0 [Sa7-1]	0 [Sa7-3]	0 [Sa7-5]	0 [Sa7-7]	0 [Sa7-9]	0 [Sa7-11]	0 [Sa7-13]	0 [Sa7-15]	Y3C
FRM_SR61*	COR	0 [Sa7-17]	0 [Sa7-19]	0 [Sa7-21]	0 [Sa7-23]	0 [Sa7-25]	0 [Sa7-27]	0 [Sa7-29]	0 [Sa7-31]	Y3D
FRM_SR62*	COR	G3 [Sa8-1]	LV [Sa8-3]	G4 [Sa8-5]	U1 [Sa8-7]	U2 [Sa8-9]	G5 [Sa8-11]	SL [Sa8-13]	G6 [Sa8-15]	Y3E
FRM_SR63*	COR	FE [Sa8-17]	SE [Sa8-19]	LB [Sa8-21]	G1 [Sa8-23]	R [Sa8-25]	G2 [Sa8-27]	Nm [Sa8-29]	NI [Sa8-31]	Y3F

* Unbracketed contents are valid for DS1 modes. Bracketed contents, [], are valid for CEPT mode.

Register Maps (continued)

Receive Framer Signaling Registers (Read-Only)

The address of the registers is shown with the most significant digit, designated by Y, which is used to identify each framer (for framer 1—framer 8, Y = 2—9, respectively).

Table 183. Receive Signaling Registers Map

Receive Signaling	Clear on Read (COR) Read (R) Write (W)	Bit 7	Bit 6 ¹	Bit 5 ¹	Bit 4 ²	Bit 3 ³	Bit 2 ³	Bit 1 ⁴	Bit 0	Register Address (hex)
										Framer 1—8
FRM_RSR0 ⁵	R	P	G_0	F_0	E_0	D_0	C_0	B_0	A_0	Y40
FRM_RSR1	R	P	G_1	F_1	E_1	D_1	C_1	B_1	A_1	Y41
FRM_RSR2	R	P	G_2	F_2	E_2	D_2	C_2	B_2	A_2	Y42
FRM_RSR3	R	P	G_3	F_3	E_3	D_3	C_3	B_3	A_3	Y43
FRM_RSR4	R	P	G_4	F_4	E_4	D_4	C_4	B_4	A_4	Y44
FRM_RSR5	R	P	G_5	F_5	E_5	D_5	C_5	B_5	A_5	Y45
FRM_RSR6	R	P	G_6	F_6	E_6	D_6	C_6	B_6	A_6	Y46
FRM_RSR7	R	P	G_7	F_7	E_7	D_7	C_7	B_7	A_7	Y47
FRM_RSR8	R	P	G_8	F_8	E_8	D_8	C_8	B_8	A_8	Y48
FRM_RSR9	R	P	G_9	F_8	E_8	D_8	C_8	B_8	A_8	Y49
FRM_RSR10	R	P	G_10	F_10	E_10	D_10	C_10	B_10	A_10	Y4A
FRM_RSR11	R	P	G_11	F_11	E_11	D_11	C_11	B_11	A_11	Y4B
FRM_RSR12	R	P	G_12	F_12	E_12	D_12	C_12	B_12	A_12	Y4C
FRM_RSR13	R	P	G_13	F_13	E_13	D_13	C_13	B_13	A_13	Y4D
FRM_RSR14	R	P	G_14	F_14	E_14	D_14	C_14	B_14	A_14	Y4E
FRM_RSR15	R	P	G_15	F_15	E_15	D_15	C_15	B_15	A_15	Y4F
FRM_RSR16 ⁵	R	P	G_16	F_16	E_16	D_16	C_16	B_16	A_16	Y50
FRM_RSR17	R	P	G_17	F_17	E_17	D_17	C_17	B_17	A_17	Y51
FRM_RSR18	R	P	G_18	F_18	E_18	D_18	C_18	B_18	A_18	Y52
FRM_RSR19	R	P	G_19	F_19	E_19	D_19	C_19	B_19	A_19	Y53
FRM_RSR20	R	P	G_20	F_20	E_20	D_20	C_20	B_20	A_20	Y54
FRM_RSR21	R	P	G_21	F_21	E_21	D_21	C_21	B_21	A_21	Y55
FRM_RSR22	R	P	G_22	F_22	E_22	D_22	C_22	B_22	A_22	Y56
FRM_RSR23	R	P	G_23	F_23	E_23	D_23	C_23	B_23	A_23	Y57
FRM_RSR24 ²	R	P	X ⁷	X	E_24	D_24	C_24	B_24	A_24	Y58
FRM_RSR25 ²	R	P	X	X	E_25	D_25	C_25	B_25	A_25	Y59
FRM_RSR26 ²	R	P	X	X	E_26	D_26	C_26	B_26	A_26	Y5A
FRM_RSR27 ²	R	P	X	X	E_27	D_27	C_27	B_27	A_27	Y5B
FRM_RSR28 ²	R	P	X	X	E_28	D_28	C_28	B_28	A_28	Y5C
FRM_RSR29 ²	R	P	X	X	E_29	D_29	C_29	B_29	A_29	Y5D
FRM_RSR30 ²	R	P	X	X	E_30	D_30	C_30	B_30	A_30	Y5E
FRM_RSR31 ²	R	P	X	X	E_31	D_31	C_31	B_31	A_31	Y5F

1. In the DS1 robbed-bit signaling modes, these bits are copied from the corresponding transmit signaling registers. In the CEPT signaling modes, these bits are in the 0-state and should be ignored.
2. In the DS1 signaling modes, these registers contain unknown data.
3. In DS1 4-state and 2-state signaling, these bits contain unknown data.
4. In DS1 2-state signaling, these bits contain unknown data.
5. In the CEPT signaling modes, the A-, B-, C-, D-, and P-bit information of these registers contains unknown data.
6. Signifies unknown data.

Register Maps (continued)

Framer Unit Parameter Register Map

The address of the registers is shown with the most significant digit, designated by Y, which is used to identify each framer (for framer 1—framer 8, Y = 2—9, respectively).

Table 184. Framer Unit Parameter Register Map

Framer Control	Clear on Read (COR) Read (R) Write (W)	Bit 7	Bit 6	Bit 5	Bit 4	Bit 3	Bit 2	Bit 1	Bit 0	Register Address (hex)
										Framer 1—8
FRM_PR0	R/W	SLCIE (0)	Reserved (0)	RSRIE (0)	TSRIE (0)	SR567IE (0)	SR34IE (0)	SR2IE (0)	SR1IE (0)	Y60
FRM_PR1	R/W	SR1B7IE (0)	SR1B6IE (0)	SR1B5IE (0)	SR1B4IE (0)	SR1B3IE (0)	SR1B2IE (0)	SR1B1IE (0)	SR1B0IE (0)	Y61
FRM_PR2	R/W	SR2B7IE (0)	SR2B6IE (0)	SR2B5IE (0)	SR2B4IE (0)	SR2B3IE (0)	SR2B2IE (0)	SR2B1IE (0)	SR2B0IE (0)	Y62
FRM_PR3	R/W	SR3B7IE (0)	SR3B6IE (0)	SR3B5IE (0)	SR3B4IE (0)	SR3B3IE (0)	SR3B2IE (0)	SR3B1IE (0)	SR3B0IE (0)	Y63
FRM_PR4	R/W	SR4B7IE (0)	SR4B6IE (0)	SR4B5IE (0)	SR4B4IE (0)	SR4B3IE (0)	SR4B2IE (0)	SR4B1IE (0)	SR4B0IE (0)	Y64
FRM_PR5	R/W	SR5B7IE (0)	SR5B6IE (0)	SR5B5IE (0)	SR5B4IE (0)	SR5B3IE (0)	SR5B2IE (0)	SR5B1IE (0)	SR5B0IE (0)	Y65
FRM_PR6	R/W	SR6B7IE (0)	SR6B6IE (0)	SR6B5IE (0)	SR6B4IE (0)	SR6B3IE (0)	SR6B2IE (0)	SR6B1IE (0)	SR6B0IE (0)	Y66
FRM_PR7	R/W	SR7B7IE (0)	SR7B6IE (0)	SR7B5IE (0)	SR7B4IE (0)	SR7B3IE (0)	SR7B2IE (0)	SR7B1IE (0)	SR7B0IE (0)	Y67
FRM_PR8	R/W	LC2 (1)	LC1 (1)	LC0 (0)	FMODE4 (0)	FMODE3 (0)	FMODE2 (0)	FMODE1 (0)	FMODE0 (0)	Y68
FRM_PR9	R/W	CRCO7 (0)	CRCO6 (0)	CRCO5 (0)	CRCO4 (0)	CRCO3 (0)	CRCO2 (0)	CRCO1 (0)	CRCO0 (0)	Y69
FRM_PR10	R/W	ESM1 (0)	ESM0 (0)	RABF (0)	Reserved (0)	CNUCLBEN (0)	FEREN [NFFE] (0)	AIMS (0)	SSa6M (0)	Y6A
FRM_PR11	R/W	EST7 (0)	EST6 (0)	EST5 (0)	EST4 (0)	EST3 (0)	EST2 (0)	EST1 (0)	EST0 (0)	Y6B
FRM_PR12	R/W	SEST15 (0)	SEST14 (0)	SEST13 (0)	SEST12 (0)	SEST11 (0)	SEST10 (0)	SEST9 (0)	SEST8 (0)	Y6C
FRM_PR13	R/W	SEST7 (0)	SEST6 (0)	SEST5 (0)	SEST4 (0)	SEST3 (0)	SEST2 (0)	SEST1 (0)	SEST0 (0)	Y6D
FRM_PR14	R/W	0	0	0	0	ETSLIP (0)	ETAIS (0)	ETLMFA (0)	ETLFA (0)	Y6E
FRM_PR15	R/W	ETRESa6-F (0)	ETRESa6-E (0)	ETRESa6-8 (0)	ETRERFA (0)	ETRESLIP (0)	ETREAIS (0)	ETRELMFA (0)	ETRELFA (0)	Y6F
FRM_PR16	R/W	NTSa6-C (0)	0	NTSa6-8 (0)	0	NTSLIP (0)	NTAIS (0)	NTLMFA (0)	NTLFA (0)	Y70
FRM_PR17	R/W	0	0	0	NTRERFA (0)	NTRESLIP (0)	NTREAIS (0)	NTRELMFA (0)	NTRELFA (0)	Y71
FRM_PR18	R/W	0	0	0	0	NTRESa6-C (0)	NTRESa6-F (0)	NTRESa6-E (0)	NTRESa6-8 (0)	Y72
FRM_PR19	R/W	AFDPLBE (0)	AFDLLBE (0)	Reserved (0)	ALLBE (0)	TAIS (0)	Reserved (0)	ASAISTMX (0)	ASAIIS (0)	Y73
FRM_PR20	R/W	TICRC (0)	TLIC (0)	TLLBOFF (0)	TLLBON (0)	TQRS (0)	TPRS (0)	TUFAUXP (0)	TUFAIS (0)	Y74

* Definition in CEPT mode.

Register Maps (continued)

Table 184. Framer Unit Parameter Register Map (continued)

Framer Control	Clear on Read (COR) Read (R) Write (W)	Bit 7	Bit 6	Bit 5	Bit 4	Bit 3	Bit 2	Bit 1	Bit 0	Register Address (hex)
		Framer 1—8								
FRM_PR21	R/W	TC/R=1 (0)	TFDLC (0)	TFDLSAIS (0)	TFDLLAIS (0)	Reserved (0)	Reserved (0)	Reserved (0)	Reserved (0)	Y75
FRM_PR22	R/W	TLIC7 (0)	TLIC6 (1)	TLIC5 (1)	TLIC4 (1)	TLIC3 (1)	TLIC2 (1)	TLIC1 (1)	TLIC0 (1)	Y76
FRM_PR23	R/W	SSTSC7 (0)	SSTSC6 (1)	SSTSC5 (1)	SSTSC4 (1)	SSTSC3 (1)	SSTSC2 (1)	SSTSC1 (1)	SSTSC0 (1)	Y77
FRM_PR24	R/W	LBC2 (0)	LBC1 (0)	LBC0 (0)	TSLBA4 (0)	TSLBA3 (0)	TSLBA2 (0)	TSLBA1 (0)	TSLBA0 (0)	Y78
FRM_PR25	R/W	Reserved (0)	SLBC1 (0)	SLBC0 (0)	STSLBA4 (0)	STSLBA3 (0)	STSLBA2 (0)	STSLBA1 (0)	STSLBA0 (0)	Y79
FRM_PR26	R/W	Reserved (0)	Reserved (0)	SYSFSM (0)	TFM2 (0)	TFM1 (0)	FRFRM (0)	SWRESTART (0)	SWRESET (0)	Y7A
FRM_PR27	R/W	TRFA (0)	TJRFA (0)	AARSA6_C (0)	AARSA6_8 (0)	ATMX (0)	AABOLMFA (0)	AAB16LMFA (0)	ARLFA (0)	Y7B
FRM_PR28	R/W	0	0	ATERTX (0)	ATELTS0MFA (0)	ATECRCE (0)	TSINF (0)	TSIF (0)	SIS, T1E (0)	Y7C
FRM_PR29	R/W	SaS7 (0)	SaS6 (0)	SaS5 (0)	TSa8 (0)	TSa7 (0)	TSa6 (0)	TSa5 (0)	TSa4 (0)	Y7D
FRM_PR30	R/W	TDNF (0)	Reserved (0)	Reserved (0)	TESa8 (0)	TESa7 (0)	TESa6 (0)	TESa5 (0)	TESa4 (0)	Y7E
FRM_PR31	R/W	0 Sa4-1	0 Sa4-3	X-0 Sa4-5	X-0 Sa4-7	X-0 Sa4-9	X-1 Sa4-11	X-1 Sa4-13	X-1 Sa4-15	Y7F
FRM_PR32	R/W	0 Sa4-17	0 Sa4-19	X-0 Sa4-21	X-0 Sa4-23	X-0 Sa4-25	X-1 Sa4-27	X-1 Sa4-29	X-1 Sa4-31	Y80
FRM_PR33	R/W	XC1 Sa5-1	XC2 Sa5-3	XC3 Sa5-5	XC4 Sa5-7	XC5 Sa5-9	XC6 Sa5-11	XC7 Sa5-13	XC8 Sa5-15	Y81
FRM_PR34	R/W	XC9 Sa5-17	XC10 Sa5-19	XC11 Sa5-21	XSPB1 = 0 Sa5-23	XSPB2 = 1 Sa5-25	XSPB3 = 0 Sa5-27	XM1 Sa5-29	XM2 Sa5-31	Y82
FRM_PR35	R/W	XM3 Sa6-1	XA1 Sa6-3	XA2 Sa6-5	XS1 Sa6-7	XS2 Sa6-9	XS3 Sa6-11	XS4 Sa6-13	XSPB4 = 1 Sa6-15	Y83
FRM_PR36	R/W	Sa6-17	Sa6-19	Sa6-21	Sa6-23	Sa6-25	Sa6-27	Sa6-29	Sa6-31	Y84
FRM_PR37	R/W	Sa7-1	Sa7-3	Sa7-5	Sa7-7	Sa7-9	Sa7-11	Sa7-13	Sa7-15	Y85
FRM_PR38	R/W	Sa7-17	Sa7-19	Sa7-21	Sa7-23	Sa7-25	Sa7-27	Sa7-29	Sa7-31	Y86
FRM_PR39	R/W	Sa8-1	Sa8-3	Sa8-5	Sa8-7	Sa8-9	Sa8-11	Sa8-13	Sa8-15	Y87
FRM_PR40	R/W	Sa8-17	Sa8-19	Sa8-21	Sa8-23	Sa8-25	Sa8-27	Sa8-29	Sa8-31	Y88
FRM_PR41	R/W	Reserved (0)	TLTS16AIS (0)	TLTS16RMFA (0)	ALTS16RMFA (0)	XS (0)	TTS16X2 (0)	TTS16X1 (0)	TTS16X0 (0)	Y89

Register Maps (continued)

Table 184. Framer Unit Parameter Register Map (continued)

Framer Control	Clear on Read (COR) Read (R) Write (W)	Bit 7	Bit 6	Bit 5	Bit 4	Bit 3	Bit 2	Bit 1	Bit 0	Register Address (hex)
										Framer 1—8
FRM_PR42	R/W	FEX7 (0)	FEX6 (0)	FEX5 (0)	FEX4 (0)	FEX3 (0)	FEX2 (0)	FEX1 (0)	FEX0 (0)	Y8A
FRM_PR43	R/W	Reserved (0)	Reserved (0)	Reserved (0)	Reserved (0)	SSC (0)	STS2 [SaFDL2] (0)	STS1 [SaFDL1] (0)	STS0 [SaFDL0] (1)	Y8B
FRM_PR44	R/W	TCSS (0)	ASTSAIS (0)	TSR-ASM (0)	MOS (0)	RSI (0)	ASM (0)	STOMP (0)	TSIG (0)	Y8C
FRM_PR45	R/W	HWYEN (0)	Reserved (0)	Reserved (0)	CHIMM (0)	CDRS1 (0)	CDRS0 (0)	CMS (0)	HFLF (0)	Y8D
FRM_PR46	R/W	RFE (0)	ROFF2 (0)	ROFF1 (0)	ROFF0 (0)	TFE (0)	TOFF2 (0)	TOFF1 (0)	TOFF0 (0)	Y8E
FRM_PR47	R/W	Reserved (0)	TCE (0)	TBYOFF5 (0)	TBYOFF4 (0)	TBYOFF3 (0)	TBYOFF2 (0)	TBYOFF1 (0)	TBYOFF0 (0)	Y8F
FRM_PR48	R/W	Reserved (0)	RCE (0)	RBYOFF5 (0)	RBYOFF4 (0)	RBYOFF3 (0)	RBYOFF2 (0)	RBYOFF1 (0)	RBYOFF0 (0)	Y90
FRM_PR49	R/W	TTSE31 (0)	TTSE30 (0)	TTSE29 (0)	TTSE28 (0)	TTSE27 (0)	TTSE26 (0)	TTSE25 (0)	TTSE24 (0)	Y91
FRM_PR50	R/W	TTSE23 (0)	TTSE22 (0)	TTSE21 (0)	TTSE20 (0)	TTSE19 (0)	TTSE18 (0)	TTSE17 (0)	TTSE16 (0)	Y92
FRM_PR51	R/W	TTSE15 (0)	TTSE14 (0)	TTSE13 (0)	TTSE12 (0)	TTSE11 (0)	TTSE10 (0)	TTSE9 (0)	TTSE8 (0)	Y93
FRM_PR52	R/W	TTSE7 (0)	TTSE6 (0)	TTSE5 (0)	TTSE4 (0)	TTSE3 (0)	TTSE2 (0)	TTSE1 (0)	TTSE0 (0)	Y94
FRM_PR53	R/W	RTSE31 (0)	RTSE30 (0)	RTSE29 (0)	RTSE28 (0)	RTSE27 (0)	RTSE26 (0)	RTSE25 (0)	RTSE24 (0)	Y95
FRM_PR54	R/W	RTSE23 (0)	RTSE22 (0)	RTSE21 (0)	RTSE20 (0)	RTSE19 (0)	RTSE18 (0)	RTSE17 (0)	RTSE16 (0)	Y96
FRM_PR55	R/W	RTSE15 (0)	RTSE14 (0)	RTSE13 (0)	RTSE12 (0)	RTSE11 (0)	RTSE10 (0)	RTSE9 (0)	RTSE8 (0)	Y97
FRM_PR56	R/W	RTSE7 (0)	RTSE6 (0)	RTSE5 (0)	RTSE4 (0)	RTSE3 (0)	RTSE2 (0)	RTSE1 (0)	RTSE0 (0)	Y98
FRM_PR57	R/W	THS31 (0)	THS30 (0)	THS29 (0)	THS28 (0)	THS27 (0)	THS26 (0)	THS25 (0)	THS24 (0)	Y99
FRM_PR58	R/W	THS23 (0)	THS22 (0)	THS21 (0)	THS20 (0)	THS19 (0)	THS18 (0)	THS17 (0)	THS16 (0)	Y9A
FRM_PR59	R/W	THS15 (0)	THS14 (0)	THS13 (0)	THS12 (0)	THS11 (0)	THS10 (0)	THS9 (0)	THS8 (0)	Y9B
FRM_PR60	R/W	THS7 (0)	THS6 (0)	THS5 (0)	THS4 (0)	THS3 (0)	THS2 (0)	THS1 (0)	THS0 (0)	Y9C
FRM_PR61	R/W	RHS31 (0)	RHS30 (0)	RHS29 (0)	RHS28 (0)	RHS27 (0)	RHS26 (0)	RHS25 (0)	RHS24 (0)	Y9D
FRM_PR62	R/W	RHS23 (0)	RHS22 (0)	RHS21 (0)	RHS20 (0)	RHS19 (0)	RHS18 (0)	RHS17 (0)	RHS16 (0)	Y9E
FRM_PR63	R/W	RHS15 (0)	RHS14 (0)	RHS13 (0)	RHS12 (0)	RHS11 (0)	RHS10 (0)	RHS9 (0)	RHS8 (0)	Y9F
FRM_PR64	R/W	RHS7 (0)	RHS6 (0)	RHS5 (0)	RHS4 (0)	RHS3 (0)	RHS2 (0)	RHS1 (0)	RHS0 (0)	YA0
FRM_PR65	R/W	Reserved (0)	Reserved (0)	Reserved (0)	Reserved (0)	Reserved (0)	Reserved (0)	TCHIDTS (0)	TBYOFF6 (0)	YA1
FRM_PR66	R/W	Reserved (0)	Reserved (0)	Reserved (0)	Reserved (0)	Reserved (0)	Reserved (0)	RCHIDTS (0)	RBYOFF6 (0)	YA2
FRM_PR67	—	Reserved	Reserved	Reserved	Reserved	Reserved	Reserved	Reserved	Reserved	YA3
FRM_PR68	—	Reserved	Reserved	Reserved	Reserved	Reserved	Reserved	Reserved	Reserved	YA4
FRM_PR69	R/W	GPTRN3 (0)	GPTRN2 (0)	GPTRN1 (0)	GPTRN0 (0)	GFRMSEL (0)	GBLKSEL (0)	TPEI (0)	ITD (0)	YA5
FRM_PR70	R/W	DPTRN3 (0)	DPTRN2 (0)	DPTRN1 (0)	DPTRN0 (0)	DUFTP (0)	DBLKSEL (0)	reserved (0)	IRD (0)	YA6

Register Maps (continued)

Transmit Signaling Registers (Read/Write)

The address of the registers is shown with the most significant digit, designated by Y, which is used to identify each framer (for framer 1—framer 8, Y = 2—9, respectively).

Table 185. Transmit Signaling Registers Map

Transmit Signaling	Clear on Read (COR) Read (R) Write (W)	Bit 7	Bit 6 ¹	Bit 5 ¹	Bit 4 ²	Bit 3 ³	Bit 2 ³	Bit 1 ⁴	Bit 0	Register Address (hex)
										Framer 1—8
FRM_TSR0 ⁵	R/W	P	G_0	F_0	—	D_0	C_0	B_0	A_0	YE0
FRM_TSR1	R/W	P	G_1	F_1	—	D_1	C_1	B_1	A_1	YE1
FRM_TSR2	R/W	P	G_2	F_2	—	D_2	C_2	B_2	A_2	YE2
FRM_TSR3	R/W	P	G_3	F_3	—	D_3	C_3	B_3	A_3	YE3
FRM_TSR4	R/W	P	G_4	F_4	—	D_4	C_4	B_4	A_4	YE4
FRM_TSR5	R/W	P	G_5	F_5	—	D_5	C_5	B_5	A_5	YE5
FRM_TSR6	R/W	P	G_6	F_6	—	D_6	C_6	B_6	A_6	YE6
FRM_TSR7	R/W	P	G_7	F_7	—	D_7	C_7	B_7	A_7	YE7
FRM_TSR8	R/W	P	G_8	F_8	—	D_8	C_8	B_8	A_8	YE8
FRM_TSR9	R/W	P	G_9	F_8	—	D_8	C_8	B_8	A_8	YE9
FRM_TSR10	R/W	P	G_10	F_10	—	D_10	C_10	B_10	A_10	YEA
FRM_TSR11	R/W	P	G_11	F_11	—	D_11	C_11	B_11	A_11	YEB
FRM_TSR12	R/W	P	G_12	F_12	—	D_12	C_12	B_12	A_12	YEC
FRM_TSR13	R/W	P	G_13	F_13	—	D_13	C_13	B_13	A_13	YED
FRM_TSR14	R/W	P	G_14	F_14	—	D_14	C_14	B_14	A_14	YEE
FRM_TSR15	R/W	P	G_15	F_15	—	D_15	C_15	B_15	A_15	YEF
FRM_TSR16 ⁵	R/W	P	G_16	F_16	—	D_16	C_16	B_16	A_16	YF0
FRM_TSR17	R/W	P	G_17	F_17	—	D_17	C_17	B_17	A_17	YF1
FRM_TSR18	R/W	P	G_18	F_18	—	D_18	C_18	B_18	A_18	YF2
FRM_TSR19	R/W	P	G_19	F_19	—	D_19	C_19	B_19	A_19	YF3
FRM_TSR20	R/W	P	G_20	F_20	—	D_20	C_20	B_20	A_20	YF4
FRM_TSR21	R/W	P	G_21	F_21	—	D_21	C_21	B_21	A_21	YF5
FRM_TSR22	R/W	P	G_22	F_22	—	D_22	C_22	B_22	A_22	YF6
FRM_TSR23	R/W	P	G_23	F_23	—	D_23	C_23	B_23	A_23	YF7
FRM_TSR24 ⁶	R/W	P	X ⁷	X	—	D_24	C_24	B_24	A_24	YF8
FRM_TSR25 ⁶	R/W	P	X	X	—	D_25	C_25	B_25	A_25	YF9
FRM_TSR26 ⁶	R/W	P	X	X	—	D_26	C_26	B_26	A_26	YFA
FRM_TSR27 ⁶	R/W	P	X	X	—	D_27	C_27	B_27	A_27	YFB
FRM_TSR28 ⁶	R/W	P	X	X	—	D_28	C_28	B_28	A_28	YFC
FRM_TSR29 ⁶	R/W	P	X	X	—	D_29	C_29	B_29	A_29	YFD
FRM_TSR30 ⁶	R/W	P	X	X	—	D_30	C_30	B_30	A_30	YFE
FRM_TSR31 ⁶	R/W	P	X	X	—	D_31	C_31	B_31	A_31	YFF

1. In the normal DS1 robbed-bit signaling modes, these bits define the corresponding receive channel signaling mode and are copied into the received signaling registers. In the CEPT signaling modes, these bits are ignored.
2. These bits contain unknown data.
3. In DS1 4-state and 2-state signaling modes, these bits contain unknown data.
4. In DS1 2-state signaling mode, these bits contain unknown data.
5. In the CEPT signaling modes, the A-, B-, C-, D-, and P-bit information of these registers contains unknown data.
6. In the DS1 signaling modes, these registers contain unknown data.
7. Signifies known data.

Register Maps (continued)

Facility Data Link Parameter/Control and Status Registers (Read-Write)

Table 186. Facility Data Link Register Map

Transmit Signaling	Clear on Read (COR) Read (R) Write (W)	Bit 7	Bit 6	Bit 5	Bit 4	Bit 3	Bit 2	Bit 1	Bit 0	Register Address* (hex)	
										FDL 1 FDL 3 FDL 5 FDL 7	FDL 2 FDL 4 FDL 6 FDL 8
FDL_PR0	R/W	FRANSIT3 (1)	FRANSIT2 (0)	FRANSIT1 (1)	FRANSIT0 (0)	Reserved (0)	Reserved (0)	FLAGS (0)	FDINT (0)	Y00	Y20
FDL_PR1	R/W	FTPRM (0)	FRPF (0)	FTR (0)	FRR (0)	FTE (0)	FRE (0)	FLLB (0)	FRLB (0)	Y01	Y21
FDL_PR2	R/W	FTBCRC (0)	FRIIE (0)	FROVIE (0)	FREOFIE (0)	FRFIE (0)	FTUNDIE (0)	FTEIE (0)	FTDIE (0)	Y02	Y22
FDL_PR3	R/W	FTFC (0)	FTABT (0)	FTIL5 (0)	FTIL4 (0)	FTIL3 (0)	FTIL2 (0)	FTIL1 (0)	FTILO (0)	Y03	Y23
FDL_PR4	R/W	FTD7 (0)	FTD6 (0)	FTD5 (0)	FTD4 (0)	FTD3 (0)	FTD2 (0)	FTD1 (0)	FTD0 (0)	Y04	Y24
FDL_PR5	R/W	FTIC7 (0)	FTIC6 (0)	FTIC5 (0)	FTIC4 (0)	FTIC3 (0)	FTIC2 (0)	FTIC1 (0)	FTIC0 (0)	Y05	Y25
FDL_PR6	R/W	FRANSIE (0)	Reserved (0)	FRIL5 (0)	FRIL4 (0)	FRIL3 (0)	FRIL2 (0)	FRIL1 (0)	FRILO (0)	Y06	Y26
FDL_PR7	Reserved	Reserved	Reserved	Reserved	Reserved	Reserved	Reserved	Reserved	Reserved	—	—
FDL_PR8	R/W	FRMC7 (0)	FRMC6 (0)	FRMC5 (0)	FRMC4 (0)	FRMC3 (0)	FRMC2 (0)	FRMC1 (0)	FRMC0 (0)	Y08	Y28
FDL_PR9	R/W	Reserved (0)	FTM (0)	FMATCH (0)	FALOCT (0)	FMSTAT (0)	FOCTOF2 (0)	FOCTOF1 (0)	FOCTOF 0 (0)	Y09	Y29
FDL_PR1 0	R/W	FTANSI (0)	Reserved (0)	FTANSI5 (0)	FTANSI4 (0)	FTANSI3 (0)	FTANSI2 (0)	FTANSI1 (0)	FTANSI0 (0)	Y0A	Y2A
FDL_SR0	COR	FRANSI	FRIDL	FROVERUN	FREOF	FRF	FTUNDAB T	FTEM	FTDONE	Y0B	Y2B
FDL_SR1	R	FTED	FTQS6	FTQS5	FTQS4	FTQS3	FTQS2	FTQS1	FTQS0	Y0C	Y2C
FDL_SR2	R	FREOF	FRQS6	FRQS5	FRQS4	FRQS3	FRQS2	FRQS1	FRQS0	Y0D	Y2D
FDL_SR3	R	0	0	X5	X4	X3	X2	X1	X0	Y0E	Y2E
FDL_SR4	R	FRD7 (0)	FRD6 (0)	FRD5 (0)	FRD4 (0)	FRD3 (0)	FRD2 (0)	FRD1 (0)	FRD0 (0)	Y07	Y27

* For FDL 1 and FDL 2, Y = A; for FDL 3 and FDL 4, Y = B; for FDL 5 and FDL 6, Y = C; for FDL 7 and FDL 8, Y = D.

Absolute Maximum Ratings

Stresses in excess of the absolute maximum ratings can cause permanent damage to the device. These are absolute stress ratings only. Functional operation of the device is not implied at these or any other conditions in excess of those given in the operational sections of the data sheet. Exposure to absolute maximum ratings for extended periods can adversely affect device reliability.

Parameter	Symbol	Min	Max	Unit
VDD Supply Voltage Range	VDD	-0.5	3.6	V
Power Dissipation (Total)	PD	0.65	1.0	W
Maximum Voltage (Digital Pins)	—	—	5.5*	V
Minimum Voltage (Digital Pins) with Respect to GRND	—	-0.5	—	V
Storage Temperature Range	T _{stg}	-65	125	°C
Ambient Operating Temperature Range	TA	-40	85	°C

* This maximum rating only applies when the device is powered up with VDD.

Operating Conditions

Parameter	Symbol	Min	Typ	Max	Unit
Power Supply	VDD	3.14	3.3	3.47	V
High-Level Input Voltage	V _{IH}	VDD - 1.0	—	5.25	V
Low-Level Input Voltage	V _{IL}	0	—	1.0	V
Ambient Temperature	TA	-40	—	85	°C

Handling Precautions

Although protection circuitry has been designed into this device, proper precautions should be taken to avoid exposure to electrostatic discharge (ESD) during handling and mounting. Lucent employs a human-body model (HBM) and charged-device model (CDM) for ESD-susceptibility testing and protection design evaluation. ESD voltage thresholds are dependent on the circuit parameters used in the defined model. No industry-wide standard has been adopted for the CDM. However, a standard HBM (resistance = 1500 W, capacitance = 100 pF) is widely used and, therefore, can be used for comparison purposes. The HBM ESD threshold presented here was obtained by using these circuit parameters.

Table 187. ESD Threshold Voltage

Device	Voltage
TFRA08C13	>1000 V

Electrical Characteristics

Logic Interface Characteristics

Table 188. Logic Interface Characteristics ($T_A = -40\text{ }^\circ\text{C}$ to $+85\text{ }^\circ\text{C}$, $V_{DD} = 3.3\text{ V} \pm 5\%$, $V_{SS} = 0$)

Parameter	Symbol	Test Conditions	Min	Max	Unit
Input Leakage Current All Inputs Except Pulled- Up and Pulled-Down Pins	IL	—	—	± 10	μA
Pulled-Up Pins	ILPU	—	—	80	μA
Pulled-Down Pins	ILPD	—	—	185	μA
Output Voltage: Low	VOL	$I_{OL} = -5.0\text{ mA}^*$	0	0.5	V
High	VOH	$I_{OH} = 5.0\text{ mA}^\dagger$	$V_{DD} - 1.0$	V_{DD}	V
Input Capacitance	CI	—	—	3.0	pF
Load Capacitance: All Outputs Except D[7:0]	CL	—	—	50	pF
D[7:0]	CL	—	—	100	pF

* Sinking.

† Sourcing.

Notes:

All buffers use CMOS levels.

All inputs are driven between 2.4 V and 0.4 V.

An internal pull-up is provided on the $\overline{3\text{-STATE}}$, $\overline{\text{RESET}}$, $\overline{\text{DS1/CEPT}}$, $\overline{\text{MPMODE}}$, $\overline{\text{CS}}$, $\overline{\text{MPCK}}$, $\overline{\text{TDI}}$, $\overline{\text{TCK}}$, and $\overline{\text{TMS}}$ pins.An internal pull-down is provided on the $\overline{\text{TRST}}$ pin.

Power Supply Bypassing

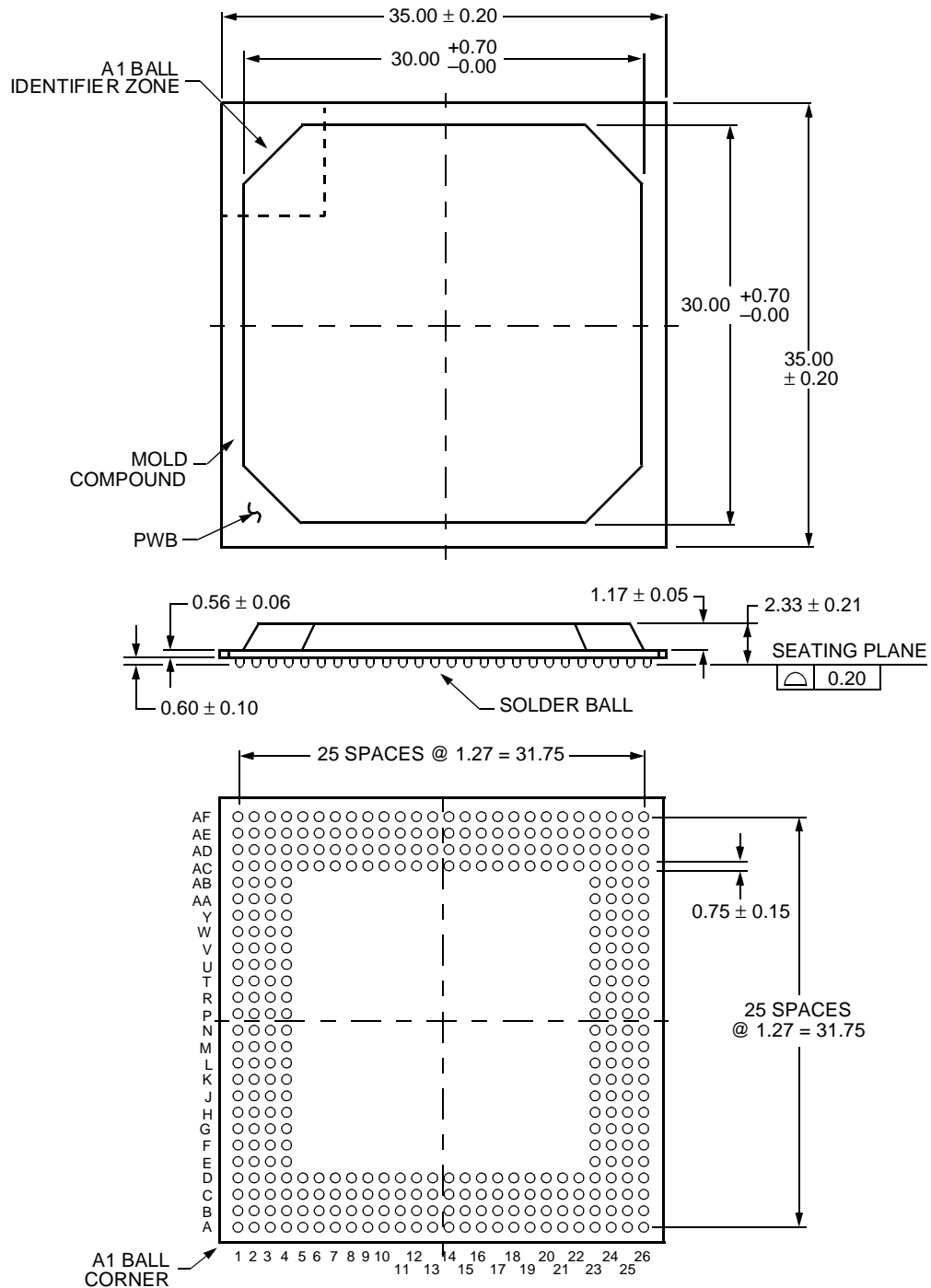
External bypassing is required for each power supply pin. A 0.1 μF capacitor must be connected between each V_{DD} and V_{SS} , between V_{DDD} and V_{SSD} , and between V_{DDA} and V_{SSA} . The V_{SS} , V_{SSD} , and V_{SSA} planes should be separated, joining at a single point near the external ground connection. The need to reduce high-frequency coupling into the analog supply (V_{DDA}) and quiet digital supply (V_{DDD}) may require inductive beads to be inserted between these lines and the 3.3 V power plane.

Capacitors used for power supply bypassing should be placed as close as possible to the device pins.

Outline Diagram

352-Pin PBGA

Dimensions are in millimeters.



5-4407(F).ar.4

Ordering Information

Device Code	Package	Temperature	Comcode (Ordering Number)
TFRA08C13 - DB	352-Pin PBGA	-40 °C to +85 °C	108269754

INTERNET: <http://www.lucent.com/micro>, or for FPGA information, <http://www.lucent.com/orca>
E-MAIL: docmaster@micro.lucent.com
N. AMERICA: Microelectronics Group, Lucent Technologies Inc., 555 Union Boulevard, Room 30L-15P-BA, Allentown, PA 18109-3286
1-800-372-2447, FAX 610-712-4106 (In CANADA: **1-800-553-2448**, FAX 610-712-4106)
ASIA PACIFIC: Microelectronics Group, Lucent Technologies Singapore Pte. Ltd., 77 Science Park Drive, #03-18 Cintech III, Singapore 118256
Tel. (65) 778 8833, FAX (65) 777 7495
CHINA: Microelectronics Group, Lucent Technologies (China) Co., Ltd., A-F2, 23/F, Zao Fong Universe Building, 1800 Zhong Shan Xi Road, Shanghai
200233 P. R. China **Tel. (86) 21 6440 0468, ext. 325**, FAX (86) 21 6440 0652
JAPAN: Microelectronics Group, Lucent Technologies Japan Ltd., 7-18, Higashi-Gotanda 2-chome, Shinagawa-ku, Tokyo 141, Japan
Tel. (81) 3 5421 1600, FAX (81) 3 5421 1700
EUROPE: Data Requests: MICROELECTRONICS GROUP DATALINE: **Tel. (44) 7000 582 368**, FAX (44) 1189 328 148
Technical Inquiries: GERMANY: **(49) 89 95086 0** (Munich), UNITED KINGDOM: **(44) 1344 865 900** (Ascot),
FRANCE: **(33) 1 40 83 68 00** (Paris), SWEDEN: **(46) 8 594 607 00** (Stockholm), FINLAND: **(358) 9 3507670** (Helsinki),
ITALY: **(39) 02 6608131** (Milan), SPAIN: **(34) 1 807 1441** (Madrid)

Lucent Technologies Inc. reserves the right to make changes to the product(s) or information contained herein without notice. No liability is assumed as a result of their use or application. No rights under any patent accompany the sale of any such product(s) or information. ORCA is a registered trademark of Lucent Technologies Inc. Foundry is a trademark of Xilinx, Inc.

