

# DATA SHEET

## **TEA1206T**

### **High efficiency DC/DC converter**

Preliminary specification  
Supersedes data of 1998 Mar 24  
File under Integrated Circuits, IC03

1999 Sep 16

## High efficiency DC/DC converter

## TEA1206T

### FEATURES

- Fully integrated DC/DC converter circuit
- Up-or-down conversion
- Start-up from 1.8 V input
- Adjustable output voltage
- High efficiency over large load range
- Power handling capability up to 1 A continuous average current
- 600 kHz switching frequency
- Low quiescent power consumption
- Synchronizes to external 9 to 20 MHz clock
- True current limit for Li-ion battery compatibility
- Up to 100% duty cycle in down mode
- Undervoltage lockout
- Shut-down function
- 8-pin SO package.

### APPLICATIONS

- Cellular and cordless phones, PDAs and others
- Supply voltage source for low-voltage chip sets
- Portable computers
- Battery backup supplies
- Cameras.

### GENERAL DESCRIPTION

The TEA1206T (see Fig.1) is a fully integrated DC/DC converter circuit. Efficient, compact and dynamic power conversion is achieved using a novel, digitally controlled Pulse Width and Frequency Modulation (PWFm) like control concept, integrated low  $R_{dsON}$  CMOS power switches with low parasitic capacitances, and fully synchronous rectification. The device operates at a high 590 kHz switching frequency which enables the use of minimum size external components. Deadlock is prevented by an on-chip undervoltage lockout circuit. Compatibility with Li-ion batteries is guaranteed by an accurate current limit function.

### ORDERING INFORMATION

TYPE NUMBER	PACKAGE		
	NAME	DESCRIPTION	VERSION
TEA1206T	SO8	plastic small outline package; 8 leads; body width 3.9 mm	SOT96-1

## High efficiency DC/DC converter

## TEA1206T

## QUICK REFERENCE DATA

SYMBOL	PARAMETER	CONDITIONS	MIN.	TYP.	MAX.	UNIT
<b>Voltage levels</b>						
$V_{O(up)}$	output voltage range in up mode	$\bar{U}/D = \text{LOW}$	2.80	–	5.50	V
$V_{O(down)}$	output voltage range in down mode	$\bar{U}/D = \text{HIGH}$	1.25	–	5.50	V
$V_{i(up)}$	input voltage range in up mode	$\bar{U}/D = \text{LOW}$	$V_{start}$	–	5.50	V
$V_{i(down)}$	input voltage range in down mode	$\bar{U}/D = \text{HIGH}$	2.80	–	5.50	V
$V_{start}$	start-up voltage	up mode; $I_L < 200 \text{ mA}$	1.40	1.60	1.85	V
$V_{fb}$	feedback voltage level		1.19	1.24	1.29	V
<b>Current levels</b>						
$I_q$	quiescent current at pin 3	down mode, $V_i = 3.6 \text{ V}$	65	75	85	$\mu\text{A}$
$I_{shdwn}$	shut-down current		–	2	10	$\mu\text{A}$
$I_{limN}$	current limit NFET	up mode; note 1	0.5	–	5.0	A
$I_{limP}$	current limit PFET	down mode; note 1	0.5	–	5.0	A
$I_{Lx}$	maximum continuous current at pin 4		–	–	1.0	A
<b>Power MOSFETS</b>						
$R_{dsON(N)}$	pin-to-pin resistance NFET		0.08	0.14	0.20	$\Omega$
$R_{dsON(P)}$	pin-to-pin resistance PFET		0.10	0.16	0.25	$\Omega$
<b>Efficiency; see Fig.5</b>						
$\eta$	efficiency $V_i = 3.6 \text{ up to } 4.6 \text{ V}$	$V_i = 3.6 \text{ V}; L = 10 \mu\text{H}$	–	–	–	
		$I_L = 1 \text{ mA}$	–	86	–	%
		$I_L = 10 \text{ mA}$	–	93	–	%
		$I_L = 50 \text{ mA}$	–	93	–	%
		$I_L = 100 \text{ mA}$	–	93	–	%
		$I_L = 500 \text{ mA}$	–	93	–	%
		$I_L = 1000 \text{ mA}; \text{ pulsed load current}$	–	87	–	%
	$V_i = 3.6 \text{ down to } 1.8 \text{ V}$	$I_L = 1 \text{ mA}$	–	83	–	%
		$I_L = 10 \text{ mA}$	–	90	–	%
		$I_L = 50 \text{ mA}$	–	91	–	%
		$I_L = 100 \text{ mA}$	–	87	–	%
		$I_L = 500 \text{ mA}$	–	88	–	%
		$I_L = 1000 \text{ mA}; \text{ pulsed load current}$	–	82	–	%
		<b>Timing</b>				
$f_{sw}$	switching frequency	PWM mode	475	560	645	kHz
$f_{sync}$	sync input frequency		9	13	20	MHz
$t_{res}$	response time from standby to $P_{max}$		–	25	–	$\mu\text{s}$

**Note**

1. Current limit is defined by an external resistor  $R_{lim}$ , having 1% accuracy. The typical value is presettable between 0.5 and 5.0 A with a spread of  $\pm 17.5\%$ .

# High efficiency DC/DC converter

## TEA1206T

### BLOCK DIAGRAM

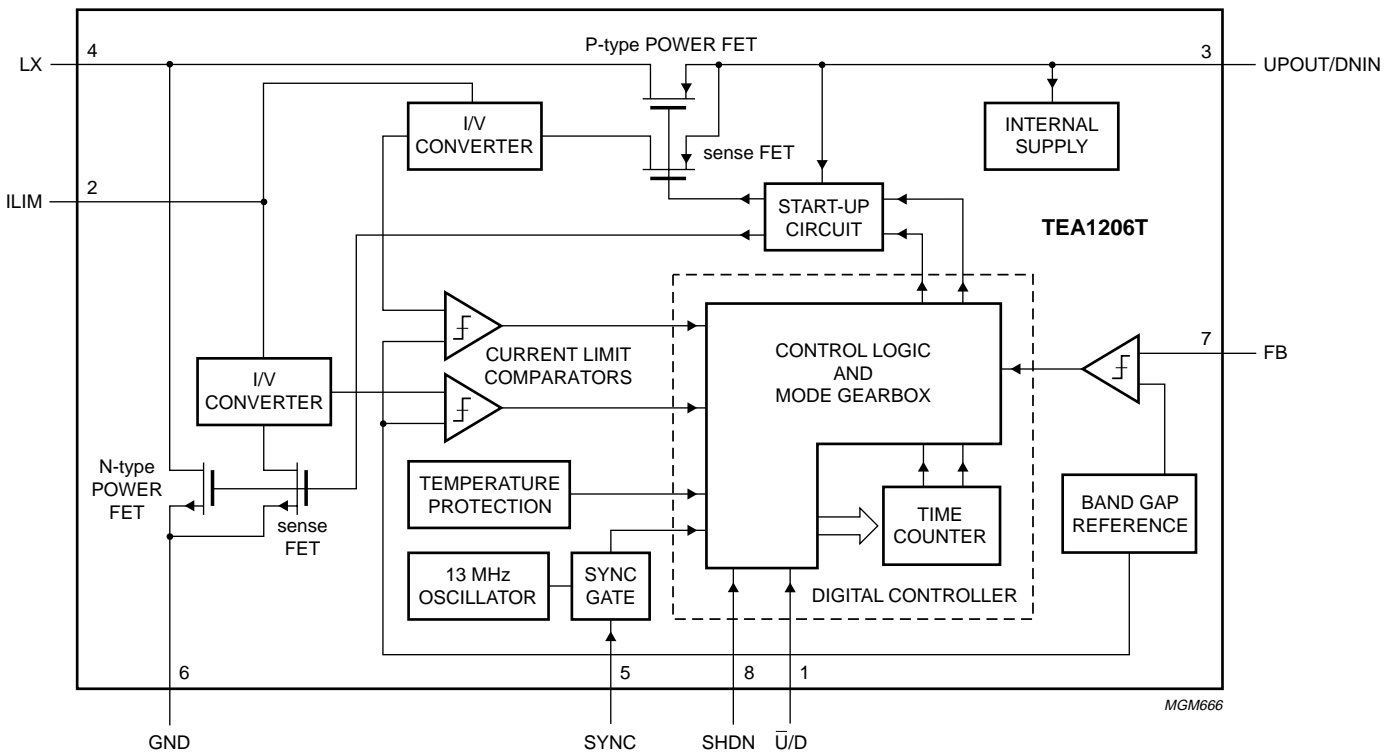


Fig.1 Block diagram.

# High efficiency DC/DC converter

# TEA1206T

## PINNING

SYMBOL	PIN	DESCRIPTION
$\bar{U}/D$	1	conversion mode selection input
ILIM	2	current limit resistor connection
UPOUT/DNIN	3	up mode; output voltage/ down mode; input voltage
LX	4	inductor connection
SYNC	5	synchronization clock input
GND	6	ground
FB	7	feedback input
SHDWN	8	shut-down input

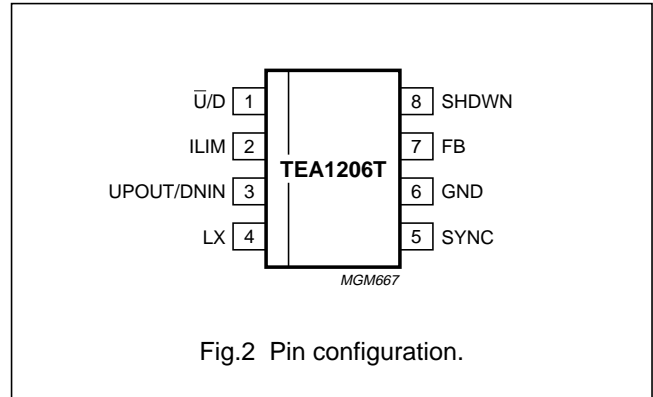


Fig.2 Pin configuration.

## FUNCTIONAL DESCRIPTION

### Control mechanism

The TEA1206T DC/DC converter is able to operate in PFM (discontinuous conduction) or PWM (continuous conduction) operation. All switching actions are completely determined by a digital control circuit which uses the output voltage level as its control input. This novel digital approach enables the use of a new pulse width and frequency modulation scheme, which ensures optimum power efficiency over the complete range of operation of the converter. The scheme works as follows.

When high output power is requested, the device will operate in PWM (continuous conduction) mode. This results in minimum AC currents in the circuit components and hence optimum efficiency, cost and EMC. In this mode, the output voltage is allowed to vary between two predefined voltage levels. As long as the output voltage stays within this so-called window, switching continues in a fixed pattern. When the output voltage reaches one of the window borders, the digital controller immediately reacts by adjusting the pulse width and inserting a current step in such a way that the output voltage stays within the window with higher or lower current capability. This approach enables very fast reaction to load variations.

Figure 3 shows the converter's response to a sudden load increase. The upper trace shows the output voltage. The ripple on top of the DC level is a result of the current in the output capacitor, which changes in sign twice per cycle, times the capacitor's internal Equivalent Series Resistance (ESR). After each ramp-down of the inductor current, i.e. when the ESR effect increases the output voltage, the converter determines what to do in the next

cycle. As soon as more load current is taken from the output the output voltage starts to decay. When the output voltage becomes lower than the low limit of the window, a corrective action is taken by a ramp-up of the inductor current during a much longer time. As a result, the DC current level is increased and normal PWM control can continue. The output voltage (including ESR effect) is again within the predefined window.

Figure 4 depicts the spread of the output voltage window. The absolute value is most dependent on spread, while the actual window size is not affected. For one specific device, the output voltage will not vary more than 2% typically.

In low output power situations, TEA1206T will switch over to PFM (discontinuous conduction) mode operation. In this mode, regulation information from earlier PWM mode operation is used. This results in optimum inductor peak current levels in PFM mode, which are slightly larger than the inductor ripple current in PWM mode. As a result, the transition between PFM and PWM mode is optimal under all circumstances. In PFM mode, TEA1206T regulates the output voltage to the high window limit shown in Fig.3.

### Synchronous rectification

For optimal efficiency over the whole load range, synchronous rectifiers inside TEA1206T ensure that during the whole second switching phase, all inductor current will flow through the low-ohmic power MOSFETS. Special circuitry is included which detects that the inductor current reaches zero. Following this detection, the digital controller switches off the power MOSFET and proceeds regulation.

---

## High efficiency DC/DC converter

TEA1206T

---

### Start-up

Start-up from low input voltage in boost mode is realised by an independent start-up oscillator, which starts switching the N-type powerfet as soon as the voltage at pin 3 is measured to be sufficiently high. The switch actions of the start-up oscillator will increase the output voltage. As soon as the output voltage is high enough for normal regulation, the digital control system takes over the control over the power MOSFETS.

### Undervoltage lockout

As a result of too high load or disconnection of the input power source, the output voltage can drop so low that normal regulation cannot be guaranteed. In that case, the device switches back to start-up mode. If the output voltage would drop down even further, switching is stopped completely.

### Shut-down

When the shut-down pin is made HIGH, the converter disables both switches and power consumption is reduced to a few  $\mu\text{A}$ .

### Power switches

The power switches in the IC are one N-type and one P-type MOSFET, having a typical pin-to-pin resistance of  $0.14\ \Omega$  and  $0.16\ \Omega$  respectively. The maximum average current in the switches is 1.0 A.

### Temperature protection

When the device operates in PWM mode, and the device temperature gets too high (typically  $175\ ^\circ\text{C}$ ), the converter stops operating. It resumes operation when the device temperature falls below  $175\ ^\circ\text{C}$  again. As a result, low-frequent cycling between on and off state will occur. It should be noted that in the event of device temperatures around the cut-off limit, the application differs strongly from maximum specifications.

### Current limiters

If the current in one of the power switches exceeds its limit in PWM mode, current ramping is stopped immediately, and the next switching phase is entered. Current limitation is required to enable optimal use of energy in Lithium-Ion batteries, and to keep power conversion efficient during temporary high loads. Furthermore, current limitation protects the IC against overload conditions, inductor saturation, etc. The current limit level is set by an external resistor which must be connected to pin 2.

### External synchronisation

If a high-frequency clock is applied to the external synchronisation pin, the switching frequency in PWM mode will be exactly that frequency divided by 22. In PFM mode, the switching frequency is always lower. The quiescent current of the device increases when an external clock is applied. In case no external synchronisation is necessary, the sync pin must be tied to ground level.

### Behaviour at regulation limits

In two cases, the output voltage will not stay in normal regulation because of excessive input voltage:

- Upconversion (see Fig.6): the output voltage will exceed the high window limit if the input voltage is higher than this limit plus the voltage drop over the diode. In that case, the converter will stop switching and the external schottky diode will take over all current. The output voltage will be equal to  $V_i$  minus the diode voltage drop. The input voltage must not exceed 5.5 V. The current limit function is not active since all current flows through the external diode in this situation.
- Downconversion (see Fig.7): the output voltage will get lower than the lower window limit when the input voltage is lower than this limit plus the voltage drop over the P-type FET. In that case, the P-type FET will stay conducting (100% duty cycle) resulting in  $V_o$  being equal to  $V_i$  minus some resistive voltage drop. The input voltage must not be lower than 2.8 V. The current limit function remains active.

High efficiency DC/DC converter

TEA1206T

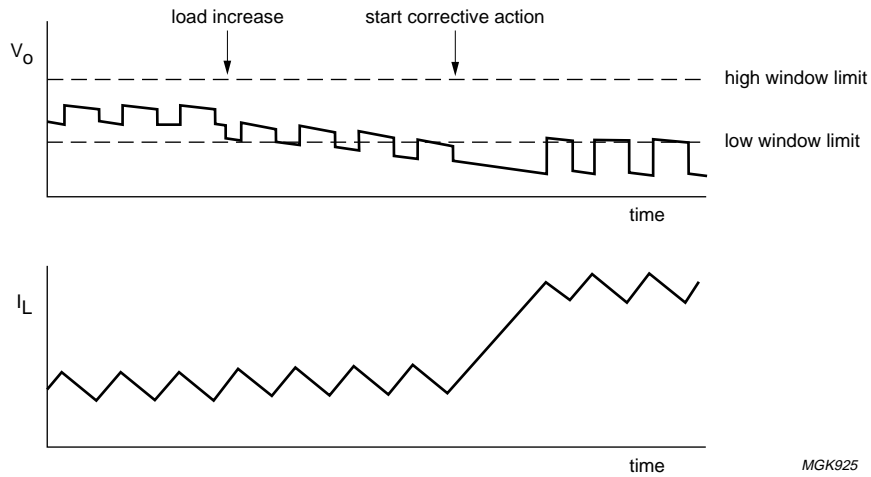


Fig.3 Response to load increase.

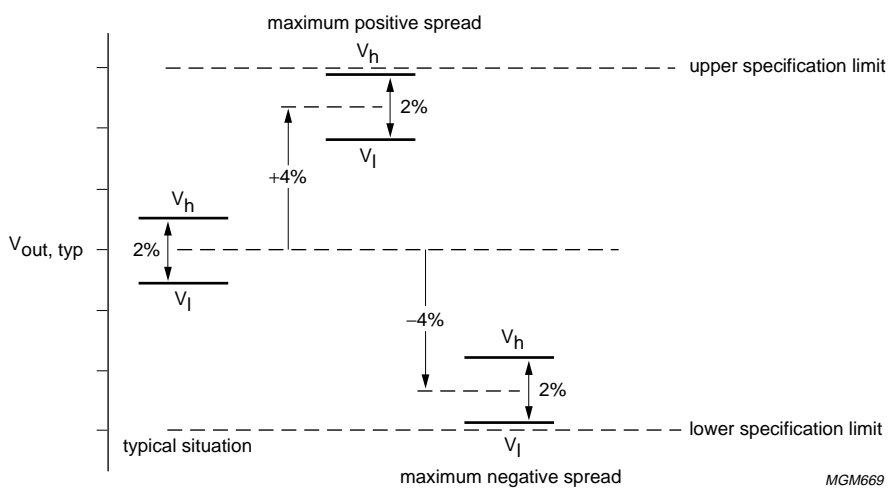


Fig.4 Output voltage window spread.

## High efficiency DC/DC converter

TEA1206T

**LIMITING VALUES**

In accordance with the Absolute Maximum Rating System (IEC 134).

SYMBOL	PARAMETER	CONDITIONS	MIN.	MAX.	UNIT
V <sub>n</sub>	voltage on any pin	shut-down mode	-0.2	+6.5	V
		operational mode	-0.2	+5.9	V
T <sub>j</sub>	junction temperature		-25	+150	°C
T <sub>amb</sub>	operating ambient temperature		-40	+80	°C
T <sub>stg</sub>	storage temperature		-40	+150	°C
V <sub>es</sub>	electrostatic handling, pins 1,2,3,5,6,8	note 1	-3000	+3000	V
V <sub>es</sub>	electrostatic handling, pins 4 and 7	note 1	-1000	+1000	V

**Note**

- Human body model: equivalent to discharging a 100 pF capacitor through a 1.5 kΩ series resistor.

**THERMAL CHARACTERISTICS**

SYMBOL	PARAMETER	CONDITIONS	VALUE	UNIT
R <sub>th(j-a)</sub>	thermal resistance from junction to ambient	in free air	150	K/W

**QUALITY SPECIFICATION**

In accordance with "SNW-FQ-611 part E".



## High efficiency DC/DC converter

## TEA1206T

**CHARACTERISTICS**

$T_j = -40$  to  $+80$  °C; all voltages with respect to ground; positive currents flow into the IC; unless otherwise specified.

SYMBOL	PARAMETER	CONDITIONS	MIN.	TYP.	MAX.	UNIT
<b>Voltage levels</b>						
$V_{O(up)}$	output voltage range in up mode	$\bar{U}/D = \text{LOW}$	2.80	–	5.50	V
$V_{O(down)}$	output voltage range in down mode	$\bar{U}/D = \text{HIGH}$	1.25	–	5.50	V
$V_{i(up)}$	input voltage range in up mode	$\bar{U}/D = \text{LOW}$	$V_{start}$	–	5.50	V
$V_{i(down)}$	input voltage range in down mode	$\bar{U}/D = \text{HIGH}$ ; note 1	2.80	–	5.50	V
$V_{start}$	start-up voltage	up mode; $I_L < 200$ mA	1.40	1.60	1.85	V
$V_{fb}$	feedback voltage level		1.19	1.24	1.29	V
$V_{wdw}$	output voltage window spread	PWM mode; see Fig.4	1.5	2.0	3.0	%
$V_{uvlo}$	undervoltage lockout level	up mode; note 2	1.50	2.10	2.50	V
<b>Current levels</b>						
$I_q$	quiescent current at pin 3	$V_3 = 3.6$ V; note 3	65	75	85	$\mu\text{A}$
$I_{shdwn}$	shut-down current		–	2	10	$\mu\text{A}$
$I_{limN}$	current limit NFET	up mode; note 4	0.5	–	5.0	A
$I_{limP}$	current limit PFET	down mode; note 4	0.5	–	5.0	A
$I_{Lx}$	maximum continuous current at pin 4		–	–	1.0	A
<b>Power MOSFETS</b>						
$R_{dsON(N)}$	pin-to-pin resistance NFET		0.08	0.14	0.20	$\Omega$
$R_{dsON(P)}$	pin-to-pin resistance PFET		0.10	0.16	0.25	$\Omega$
<b>Efficiency; see Fig.5</b>						
$\eta$	efficiency $V_i = 3.6$ up to $4.6$ V	$V_i = 3.6$ V; note 5	–	–	–	
		$I_L = 1$ mA	–	86	–	%
		$I_L = 10$ mA	–	93	–	%
		$I_L = 50$ mA	–	93	–	%
		$I_L = 100$ mA	–	93	–	%
		$I_L = 500$ mA	–	93	–	%
		$I_L = 1000$ mA; pulsed load current	–	87	–	%
	$V_i = 3.6$ down to $1.8$ V	$I_L = 1$ mA	–	83	–	%
		$I_L = 10$ mA	–	90	–	%
		$I_L = 50$ mA	–	91	–	%
		$I_L = 100$ mA	–	87	–	%
		$I_L = 500$ mA	–	88	–	%
		$I_L = 1000$ mA; pulsed load current	–	82	–	%
		<b>Timing</b>				
$f_{sw}$	switching frequency	PWM mode	475	560	645	kHz
$f_{sync}$	sync input frequency		9	13	20	MHz
$t_{res}$	response time from standby to $P_{max}$		–	25	–	$\mu\text{s}$

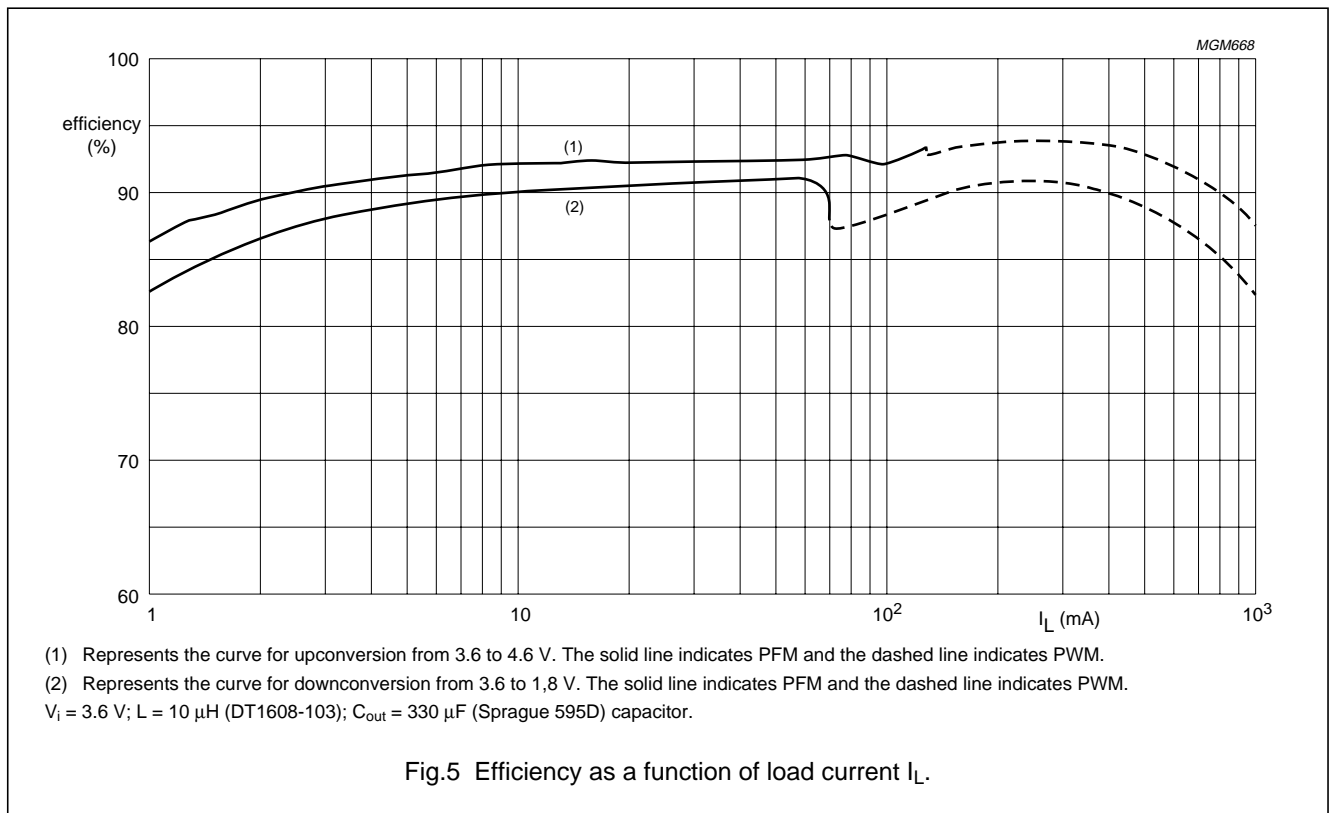
High efficiency DC/DC converter

TEA1206T

SYMBOL	PARAMETER	CONDITIONS	MIN.	TYP.	MAX.	UNIT
<b>Temperature</b>						
$T_{amb}$	operating ambient temperature		-40	+25	+80	°C
$T_{max}$	internal cut-off temperature		150	175	200	°C
<b>Digital levels</b>						
$V_{IL}$	LOW-level input voltage pins 1, 5 and 8		0	-	0.5	V
$V_{IH}$	HIGH-level input voltage pin 1	note 6	$V_3 - 0.4$	-	$V_3 + 0.3$	V
$V_{IH}$	HIGH-level input voltage pins 5 and 8	note 6	$0.55V_3$	-	$V_3 + 0.3$	V

Notes

- At  $V_i$  lower than the target output voltage, but higher than 2.8 V, the PFET will remain conducting (100% duty cycle), resulting in  $V_o$  following the input voltage.
- The undervoltage lockout level shows wide specification limits since it decreases at increasing temperature. Since the minimum supply voltage of the digital control part also decreases when temperature goes up, correct operation of this function is guaranteed over the whole temperature range.
- $V_3$  is the voltage at pin 3 (UPOUT/DNIN).
- Current limit is defined by an external resistor  $R_{lim}$ , having 1% accuracy. The typical value is presettable between 0.5 and 5.0 A with a spread of  $\pm 17.5\%$ .
- The specified efficiency is valid when using an output capacitor having an ESR of  $0.10 \Omega$  and a Coilcraft DT1608C-103  $10 \mu H$  small size inductor.
- If the applied high level is less than  $V_3 - 1 V$ , the quiescent current level of the device will increase.



High efficiency DC/DC converter

TEA1206T

APPLICATION INFORMATION

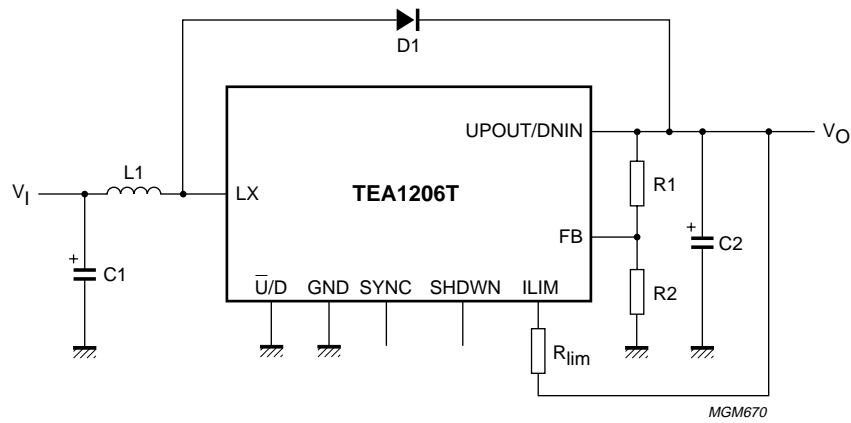


Fig.6 Complete application for upconversion.

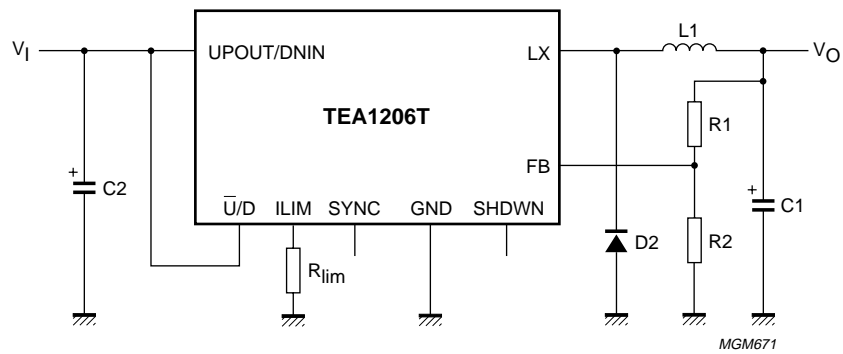


Fig.7 Complete application for downconversion.

## High efficiency DC/DC converter

## TEA1206T

### External component selection

#### INDUCTOR

The performance of the TEA1206 is not very sensitive to inductance value. Best efficiency performance over a wide load current range is achieved by using e.g. TDK SLF7032-6R8M1R6, having an inductance of 6.8  $\mu\text{H}$  and a saturation current level of 1.6 A. In case the maximum output current is lower, other inductors are also suitable like the small sized Coilcraft DT1608 range.

#### INPUT CAPACITANCE

The value of  $C_{in}$  strongly depends on the type of input source. In general, a 100  $\mu\text{F}$  tantalum capacitor will do, or a 10  $\mu\text{F}$  ceramic capacitor featuring very low series resistance (ESR).

#### OUTPUT CAPACITOR

The value and type of  $C_{out}$  depends on the maximum output current and the ripple voltage which is allowed in the application. Low-ESR tantalum as well as ceramic capacitors show good results. Most important specification of  $C_{out}$  is its ESR, which mainly determines output voltage ripple.

#### DIODE

The schottky diode is only used during a small time during takeover from N-type powerfet and P-type powerfet and vice versa. Therefore, a medium-power diode like Philips PRLL5819 is sufficient.

#### OUTPUT VOLTAGE SETTING

The output voltage level is determined by the resistors R1 and R2. The following conditions apply:

- Use 1% accurate SMD type resistors only. In case larger body resistors are used, the capacitance on pin 7 (FB) will be too large, causing inaccurate operation.
- Resistors R1 and R2 shall have a maximum value of 50 k $\Omega$  when connected in parallel. A higher value will result in inaccurate operation.

Under these conditions, the output voltage can be set by the formula:  $V_{out} = 1.24 \times (1 + R1/R2)$ .

#### CURRENT LIMIT SETTING

The maximum instantaneous current is set by the external resistor  $R_{lim}$ . Preferred type is SMD, 1% accurate.

The connection of  $R_{lim}$  differs per mode:

- In UP conversion mode,  $R_{lim}$  must be connected between pin 2 (ILIM) and pin 3 (UPOUT/DNIN).  
The current limit level is defined by:  $I_{limN} = 440 / R_{lim}$ .
- In DOWN conversion mode,  $R_{lim}$  must be connected between pin 2 (ILIM) and pin 6 (GND).  
The current limit level is defined by:  $I_{limP} = 650 / R_{lim}$ .

The average inductor current during current limit also depends on inductance value and resistive losses in all components in the power path. Ensure that  $I_{lim} < I_{sat}$  of the inductor.

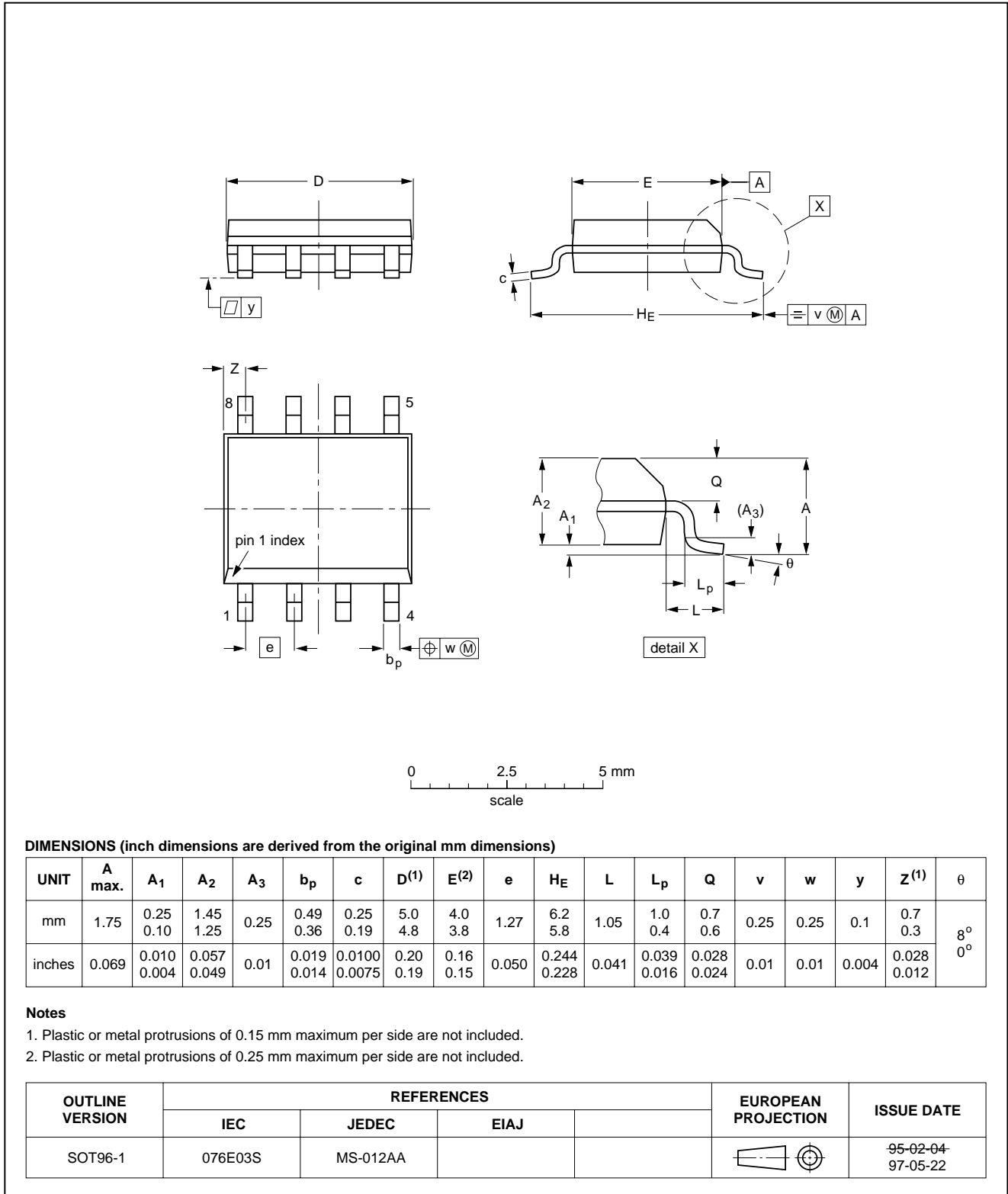
High efficiency DC/DC converter

TEA1206T

PACKAGE OUTLINE

SO8: plastic small outline package; 8 leads; body width 3.9 mm

SOT96-1



## High efficiency DC/DC converter

## TEA1206T

### SOLDERING

#### Introduction to soldering surface mount packages

This text gives a very brief insight to a complex technology. A more in-depth account of soldering ICs can be found in our *"Data Handbook IC26; Integrated Circuit Packages"* (document order number 9398 652 90011).

There is no soldering method that is ideal for all surface mount IC packages. Wave soldering is not always suitable for surface mount ICs, or for printed-circuit boards with high population densities. In these situations reflow soldering is often used.

#### Reflow soldering

Reflow soldering requires solder paste (a suspension of fine solder particles, flux and binding agent) to be applied to the printed-circuit board by screen printing, stencilling or pressure-syringe dispensing before package placement.

Several methods exist for reflowing; for example, infrared/convection heating in a conveyor type oven. Throughput times (preheating, soldering and cooling) vary between 100 and 200 seconds depending on heating method.

Typical reflow peak temperatures range from 215 to 250 °C. The top-surface temperature of the packages should preferably be kept below 230 °C.

#### Wave soldering

Conventional single wave soldering is not recommended for surface mount devices (SMDs) or printed-circuit boards with a high component density, as solder bridging and non-wetting can present major problems.

To overcome these problems the double-wave soldering method was specifically developed.

If wave soldering is used the following conditions must be observed for optimal results:

- Use a double-wave soldering method comprising a turbulent wave with high upward pressure followed by a smooth laminar wave.

- For packages with leads on two sides and a pitch (e):
  - larger than or equal to 1.27 mm, the footprint longitudinal axis is **preferred** to be parallel to the transport direction of the printed-circuit board;
  - smaller than 1.27 mm, the footprint longitudinal axis **must** be parallel to the transport direction of the printed-circuit board.

The footprint must incorporate solder thieves at the downstream end.

- For packages with leads on four sides, the footprint must be placed at a 45° angle to the transport direction of the printed-circuit board. The footprint must incorporate solder thieves downstream and at the side corners.

During placement and before soldering, the package must be fixed with a droplet of adhesive. The adhesive can be applied by screen printing, pin transfer or syringe dispensing. The package can be soldered after the adhesive is cured.

Typical dwell time is 4 seconds at 250 °C.

A mildly-activated flux will eliminate the need for removal of corrosive residues in most applications.

#### Manual soldering

Fix the component by first soldering two diagonally-opposite end leads. Use a low voltage (24 V or less) soldering iron applied to the flat part of the lead. Contact time must be limited to 10 seconds at up to 300 °C.

When using a dedicated tool, all other leads can be soldered in one operation within 2 to 5 seconds between 270 and 320 °C.

## High efficiency DC/DC converter

TEA1206T

## Suitability of surface mount IC packages for wave and reflow soldering methods

PACKAGE	SOLDERING METHOD	
	WAVE	REFLOW <sup>(1)</sup>
BGA, LFBGA, SQFP, TFBGA	not suitable	suitable
HLQFP, HSQFP, HSOP, HTQFP, HTSSOP, SMS	not suitable <sup>(2)</sup>	suitable
PLCC <sup>(3)</sup> , SO, SOJ	suitable	suitable
LQFP, QFP, TQFP	not recommended <sup>(3)(4)</sup>	suitable
SSOP, TSSOP, VSO	not recommended <sup>(5)</sup>	suitable

## Notes

- All surface mount (SMD) packages are moisture sensitive. Depending upon the moisture content, the maximum temperature (with respect to time) and body size of the package, there is a risk that internal or external package cracks may occur due to vaporization of the moisture in them (the so called popcorn effect). For details, refer to the Drypack information in the "Data Handbook IC26; Integrated Circuit Packages; Section: Packing Methods".
- These packages are not suitable for wave soldering as a solder joint between the printed-circuit board and heatsink (at bottom version) can not be achieved, and as solder may stick to the heatsink (on top version).
- If wave soldering is considered, then the package must be placed at a 45° angle to the solder wave direction. The package footprint must incorporate solder thieves downstream and at the side corners.
- Wave soldering is only suitable for LQFP, TQFP and QFP packages with a pitch (e) equal to or larger than 0.8 mm; it is definitely not suitable for packages with a pitch (e) equal to or smaller than 0.65 mm.
- Wave soldering is only suitable for SSOP and TSSOP packages with a pitch (e) equal to or larger than 0.65 mm; it is definitely not suitable for packages with a pitch (e) equal to or smaller than 0.5 mm.

## DEFINITIONS

Data sheet status	
Objective specification	This data sheet contains target or goal specifications for product development.
Preliminary specification	This data sheet contains preliminary data; supplementary data may be published later.
Product specification	This data sheet contains final product specifications.
Limiting values	
Limiting values given are in accordance with the Absolute Maximum Rating System (IEC 134). Stress above one or more of the limiting values may cause permanent damage to the device. These are stress ratings only and operation of the device at these or at any other conditions above those given in the Characteristics sections of the specification is not implied. Exposure to limiting values for extended periods may affect device reliability.	
Application information	
Where application information is given, it is advisory and does not form part of the specification.	

## LIFE SUPPORT APPLICATIONS

These products are not designed for use in life support appliances, devices, or systems where malfunction of these products can reasonably be expected to result in personal injury. Philips customers using or selling these products for use in such applications do so at their own risk and agree to fully indemnify Philips for any damages resulting from such improper use or sale.

# Philips Semiconductors – a worldwide company

**Argentina:** see South America

**Australia:** 3 Figtree Drive, HOMEBUSH, NSW 2140,  
Tel. +61 2 9704 8141, Fax. +61 2 9704 8139

**Austria:** Computerstr. 6, A-1101 WIEN, P.O. Box 213,  
Tel. +43 1 60 101 1248, Fax. +43 1 60 101 1210

**Belarus:** Hotel Minsk Business Center, Bld. 3, r. 1211, Volodarski Str. 6,  
220050 MINSK, Tel. +375 172 20 0733, Fax. +375 172 20 0773

**Belgium:** see The Netherlands

**Brazil:** see South America

**Bulgaria:** Philips Bulgaria Ltd., Energoproject, 15th floor,  
51 James Bourchier Blvd., 1407 SOFIA,  
Tel. +359 2 68 9211, Fax. +359 2 68 9102

**Canada:** PHILIPS SEMICONDUCTORS/COMPONENTS,  
Tel. +1 800 234 7381, Fax. +1 800 943 0087

**China/Hong Kong:** 501 Hong Kong Industrial Technology Centre,  
72 Tat Chee Avenue, Kowloon Tong, HONG KONG,  
Tel. +852 2319 7888, Fax. +852 2319 7700

**Colombia:** see South America

**Czech Republic:** see Austria

**Denmark:** Sydhavnsgade 23, 1780 COPENHAGEN V,  
Tel. +45 33 29 3333, Fax. +45 33 29 3905

**Finland:** Sinikalliontie 3, FIN-02630 ESPOO,  
Tel. +358 9 615 800, Fax. +358 9 6158 0920

**France:** 51 Rue Carnot, BP317, 92156 SURESNES Cedex,  
Tel. +33 1 4099 6161, Fax. +33 1 4099 6427

**Germany:** Hammerbrookstraße 69, D-20097 HAMBURG,  
Tel. +49 40 2353 60, Fax. +49 40 2353 6300

**Hungary:** see Austria

**India:** Philips INDIA Ltd, Band Box Building, 2nd floor,  
254-D, Dr. Annie Besant Road, Worli, MUMBAI 400 025,  
Tel. +91 22 493 8541, Fax. +91 22 493 0966

**Indonesia:** PT Philips Development Corporation, Semiconductors Division,  
Gedung Philips, Jl. Buncit Raya Kav.99-100, JAKARTA 12510,  
Tel. +62 21 794 0040 ext. 2501, Fax. +62 21 794 0080

**Ireland:** Newstead, Clonskeagh, DUBLIN 14,  
Tel. +353 1 7640 000, Fax. +353 1 7640 200

**Israel:** RAPAC Electronics, 7 Kehilat Saloniki St, PO Box 18053,  
TEL AVIV 61180, Tel. +972 3 645 0444, Fax. +972 3 649 1007

**Italy:** PHILIPS SEMICONDUCTORS, Via Casati, 23 - 20052 MONZA (MI),  
Tel. +39 039 203 6838, Fax +39 039 203 6800

**Japan:** Philips Bldg 13-37, Kohnan 2-chome, Minato-ku,  
TOKYO 108-8507, Tel. +81 3 3740 5130, Fax. +81 3 3740 5057

**Korea:** Philips House, 260-199 Itaewon-dong, Yongsan-ku, SEOUL,  
Tel. +82 2 709 1412, Fax. +82 2 709 1415

**Malaysia:** No. 76 Jalan Universiti, 46200 PETALING JAYA, SELANGOR,  
Tel. +60 3 750 5214, Fax. +60 3 757 4880

**Mexico:** 5900 Gateway East, Suite 200, EL PASO, TEXAS 79905,  
Tel. +9-5 800 234 7381, Fax +9-5 800 943 0087

**Middle East:** see Italy

**Netherlands:** Postbus 90050, 5600 PB EINDHOVEN, Bldg. VB,  
Tel. +31 40 27 82785, Fax. +31 40 27 88399

**New Zealand:** 2 Wagener Place, C.P.O. Box 1041, AUCKLAND,  
Tel. +64 9 849 4160, Fax. +64 9 849 7811

**Norway:** Box 1, Manglerud 0612, OSLO,  
Tel. +47 22 74 8000, Fax. +47 22 74 8341

**Pakistan:** see Singapore

**Philippines:** Philips Semiconductors Philippines Inc.,  
106 Valero St. Salcedo Village, P.O. Box 2108 MCC, MAKATI,  
Metro MANILA, Tel. +63 2 816 6380, Fax. +63 2 817 3474

**Poland:** Al.Jerozolimskie 195 B, 02-222 WARSAW,  
Tel. +48 22 5710 000, Fax. +48 22 5710 001

**Portugal:** see Spain

**Romania:** see Italy

**Russia:** Philips Russia, Ul. Usatcheva 35A, 119048 MOSCOW,  
Tel. +7 095 755 6918, Fax. +7 095 755 6919

**Singapore:** Lorong 1, Toa Payoh, SINGAPORE 319762,  
Tel. +65 350 2538, Fax. +65 251 6500

**Slovakia:** see Austria

**Slovenia:** see Italy

**South Africa:** S.A. PHILIPS Pty Ltd., 195-215 Main Road Martindale,  
2092 JOHANNESBURG, P.O. Box 58088 Newville 2114,  
Tel. +27 11 471 5401, Fax. +27 11 471 5398

**South America:** Al. Vicente Pinzon, 173, 6th floor,  
04547-130 SÃO PAULO, SP, Brazil,  
Tel. +55 11 821 2333, Fax. +55 11 821 2382

**Spain:** Balmes 22, 08007 BARCELONA,  
Tel. +34 93 301 6312, Fax. +34 93 301 4107

**Sweden:** Kottbygatan 7, Akalla, S-16485 STOCKHOLM,  
Tel. +46 8 5985 2000, Fax. +46 8 5985 2745

**Switzerland:** Allmendstrasse 140, CH-8027 ZÜRICH,  
Tel. +41 1 488 2741 Fax. +41 1 488 3263

**Taiwan:** Philips Semiconductors, 6F, No. 96, Chien Kuo N. Rd., Sec. 1,  
TAIPEI, Taiwan Tel. +886 2 2134 2886, Fax. +886 2 2134 2874

**Thailand:** PHILIPS ELECTRONICS (THAILAND) Ltd.,  
209/2 Sanpavuth-Bangna Road Prakanong, BANGKOK 10260,  
Tel. +66 2 745 4090, Fax. +66 2 398 0793

**Turkey:** Yukari Dudullu, Org. San. Blg., 2.Cad. Nr. 28 81260 Umraniye,  
ISTANBUL, Tel. +90 216 522 1500, Fax. +90 216 522 1813

**Ukraine:** PHILIPS UKRAINE, 4 Patrice Lumumba str., Building B, Floor 7,  
252042 KIEV, Tel. +380 44 264 2776, Fax. +380 44 268 0461

**United Kingdom:** Philips Semiconductors Ltd., 276 Bath Road, Hayes,  
MIDDLESEX UB3 5BX, Tel. +44 208 730 5000, Fax. +44 208 754 8421

**United States:** 811 East Arques Avenue, SUNNYVALE, CA 94088-3409,  
Tel. +1 800 234 7381, Fax. +1 800 943 0087

**Uruguay:** see South America

**Vietnam:** see Singapore

**Yugoslavia:** PHILIPS, Trg N. Pasica 5/v, 11000 BEOGRAD,  
Tel. +381 11 62 5344, Fax.+381 11 63 5777

**For all other countries apply to:** Philips Semiconductors,  
International Marketing & Sales Communications, Building BE-p, P.O. Box 218,  
5600 MD EINDHOVEN, The Netherlands, Fax. +31 40 27 24825

**Internet:** <http://www.semiconductors.philips.com>

© Philips Electronics N.V. 1999

SCA 68

All rights are reserved. Reproduction in whole or in part is prohibited without the prior written consent of the copyright owner.

The information presented in this document does not form part of any quotation or contract, is believed to be accurate and reliable and may be changed without notice. No liability will be accepted by the publisher for any consequence of its use. Publication thereof does not convey nor imply any license under patent- or other industrial or intellectual property rights.

Printed in The Netherlands

465002/25/02/pp16

Date of release: 1999 Sep 16

Document order number: 9397 750 05984

*Let's make things better.*

**Philips**  
Semiconductors



**PHILIPS**