

**TC74ACT164P, TC74ACT164F, TC74ACT164FN**

**8 - BIT SHIFT REGISTER (S - IN, P - OUT)**

The TC74ACT164 is an advanced high speed CMOS 8 - BIT SERIAL - IN PARALLEL - OUT SHIFT REGISTER fabricated with silicon gate and double - layer metal wiring C<sup>2</sup>MOS technology.

It achieves the high speed operation similar to equivalent Bipolar Schottky TTL while maintaining the CMOS low power dissipation.

This device may be used as a level converter for interfacing TTL or NMOS to High Speed CMOS. The inputs are compatible with TTL, NMOS and CMOS output voltage levels. It consists of a serial - in, parallel - out 8 - bit shift register with a CLOCK input and an overriding CLEAR input.

Two serial data inputs (A, B) are provided so that one may be used as a data enable.

All inputs are equipped with protection circuits against static discharge or transient excess voltage.

**FEATURES:**

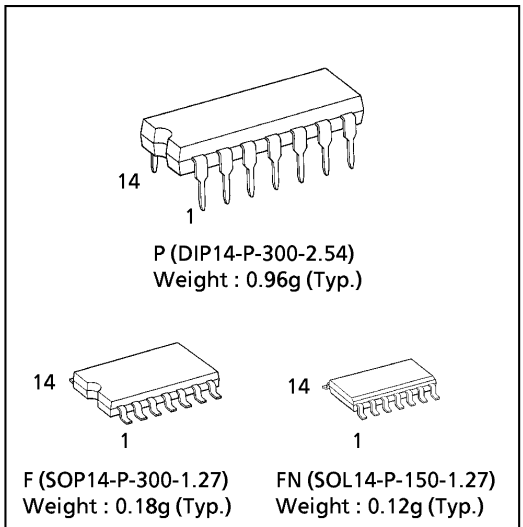
- High Speed..... $f_{MAX} = 200\text{MHz}$  (typ.) at  $V_{CC} = 5\text{V}$
- Low Power Dissipation..... $I_{CC} = 8\mu\text{A}$ (Max.) at  $T_a = 25^\circ\text{C}$
- Compatible with TTL outputs.... $V_{IL} = 0.8\text{V}$ (Max.)  
 $V_{IH} = 2.0\text{V}$ (Min.)
- Symmetrical Output Impedance... $|I_{OH}| = I_{OL} = 24\text{mA}$ (Min.)  
Capability of driving  $50\Omega$  transmission lines.
- Balanced Propagation Delays..... $t_{pLH} \approx t_{pHL}$
- Pin and Function Compatible with 74F164

**TRUTH TABLE**

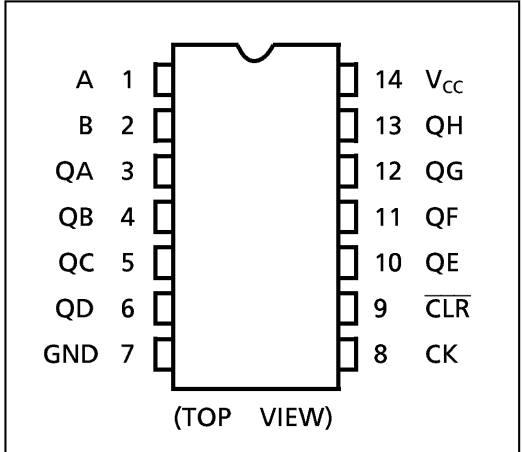
INPUTS				OUTPUTS			
CLR	CK	SERIAL IN		QA	QB	...	QH
		A	B				
L	X	X	X	L	L	...	L
H		X	X	NO CHANGE			
H		L	X	L	QA <sub>n</sub>	...	QG <sub>n</sub>
H		X	L	L	QA <sub>n</sub>	...	QG <sub>n</sub>
H		H	H	H	QA <sub>n</sub>	...	QG <sub>n</sub>

X : Don't Care  
 QA<sub>n</sub> ~ QG<sub>n</sub>: The level of QA ~ QG, respectively, before the most recent positive edge of the clock.

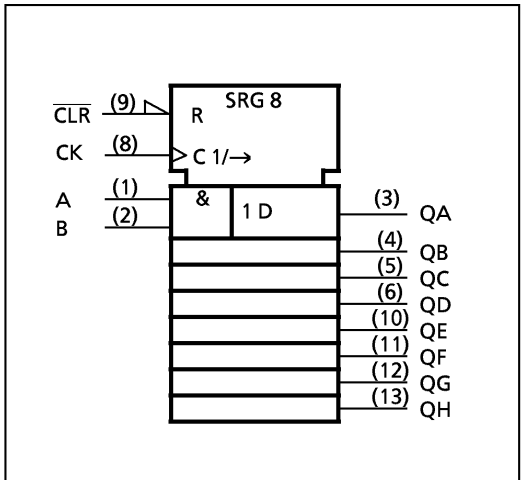
(Note) The JEDEC SOP (FN) is not available in Japan.



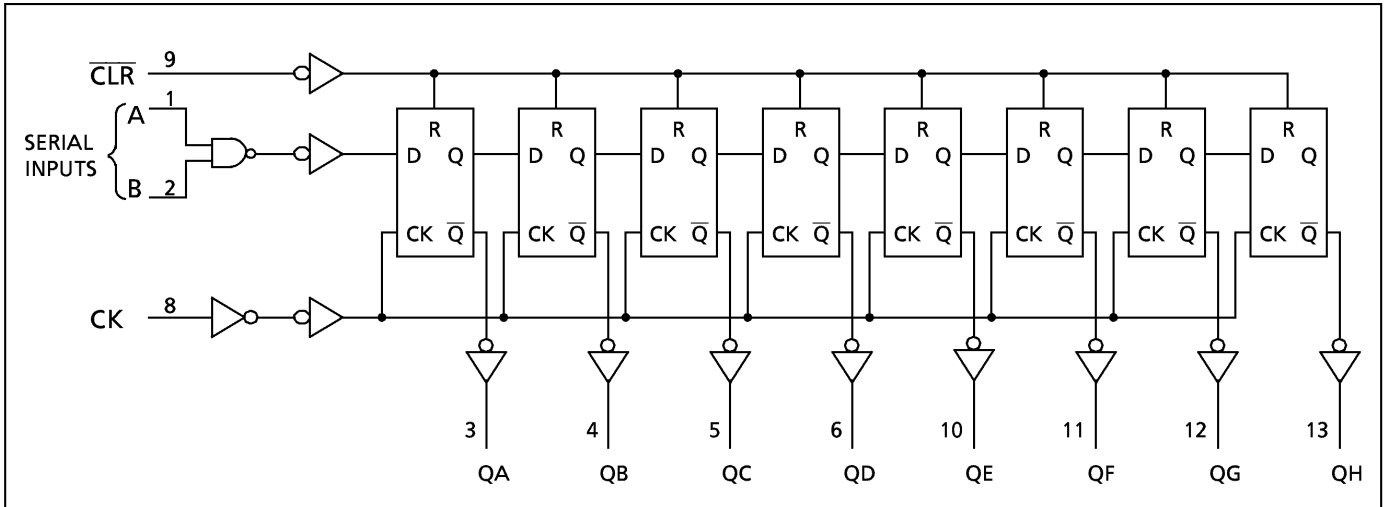
**PIN ASSIGNMENT**



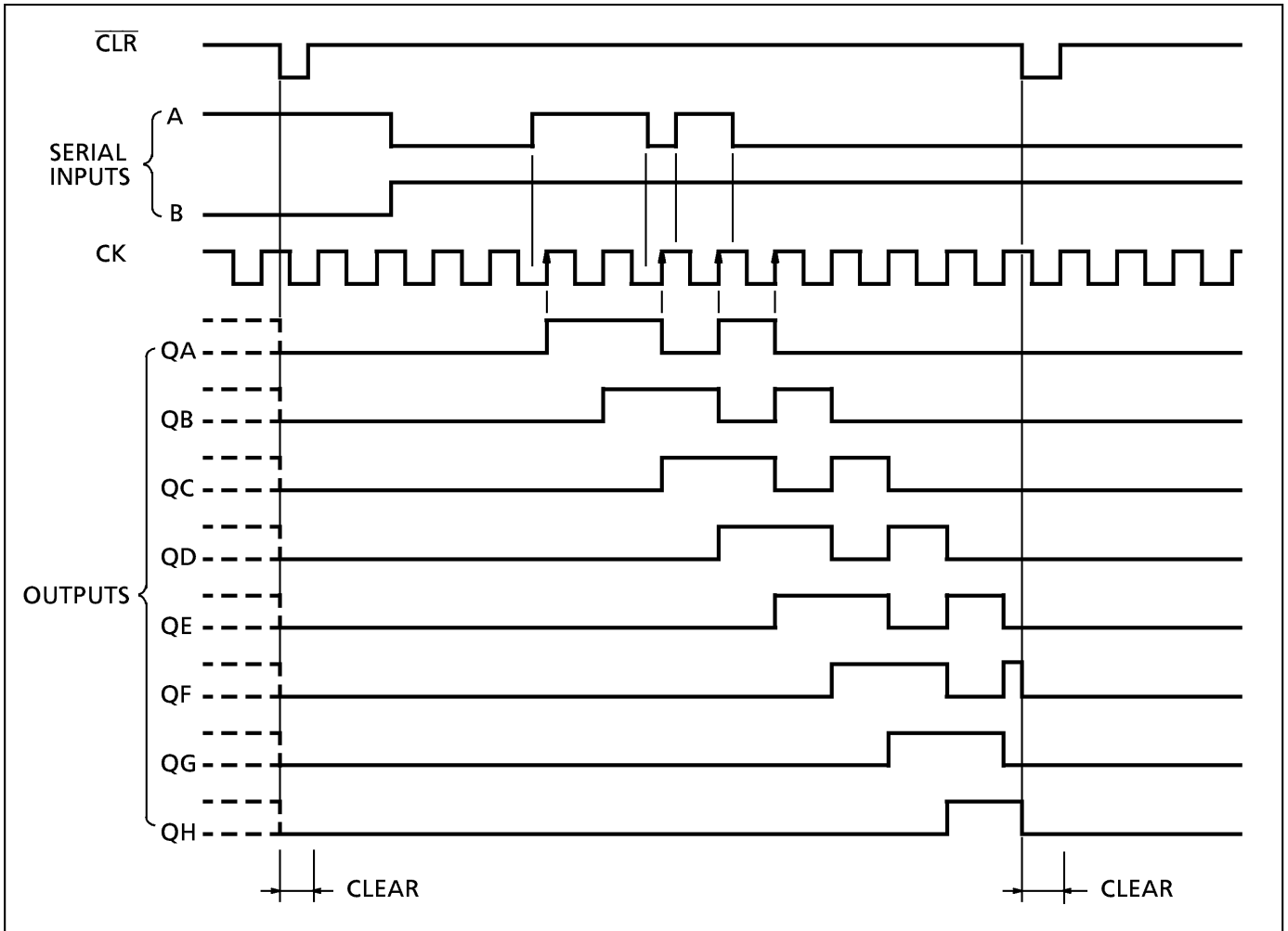
**IEC LOGIC SYMBOL**



**SYSTEM DIAGRAM**



**TIMING CHART**



**ABSOLUTE MAXIMUM RATINGS**

PARAMETER	SYMBOL	VALUE	UNIT
Supply Voltage Range	V <sub>CC</sub>	-0.5~7.0	V
DC Input Voltage	V <sub>IN</sub>	-0.5~V <sub>CC</sub> +0.5	V
DC Output Voltage	V <sub>OUT</sub>	-0.5~V <sub>CC</sub> +0.5	V
Input Diode Current	I <sub>IK</sub>	±20	mA
Output Diode Current	I <sub>OK</sub>	±50	mA
DC Output Current	I <sub>OUT</sub>	±50	mA
DC V <sub>CC</sub> /Ground Current	I <sub>CC</sub>	±200	mA
Power Dissipation	P <sub>D</sub>	500 (DIP)* / 180 (SOP)	mW
Storage Temperature	T <sub>stg</sub>	-65~150	°C

\*500mW in the range of Ta = -40°C~65°C. From Ta = 65°C to 85°C a derating factor of -10mW/°C should be applied up to 300mW.

**RECOMMENDED OPERATING CONDITIONS**

PARAMETER	SYMBOL	VALUE	UNIT
Supply Voltage	V <sub>CC</sub>	4.5~5.5	V
Input Voltage	V <sub>IN</sub>	0~V <sub>CC</sub>	V
Output Voltage	V <sub>OUT</sub>	0~V <sub>CC</sub>	V
Operating Temperature	T <sub>opr</sub>	-40~85	°C
Input Rise and Fall Time	dt/dV	0~10	ns/V

**DC ELECTRICAL CHARACTERISTICS**

PARAMETER	SYMBOL	TEST CONDITION	V <sub>CC</sub> (V)	Ta = 25°C			Ta = -40~85°C		UNIT	
				MIN.	TYP.	MAX.	MIN.	MAX.		
High - Level Input Voltage	V <sub>IH</sub>		4.5 5.5	2.0	—	—	2.0	—	V	
Low - Level Input Voltage	V <sub>IL</sub>		4.5 5.5	—	—	0.8	—	0.8	V	
High - Level Output Voltage	V <sub>OH</sub>	V <sub>IN</sub> = V <sub>IH</sub> or V <sub>IL</sub>	I <sub>OH</sub> = -50μA	4.5	4.4	4.5	—	4.4	—	V
			I <sub>OH</sub> = -24mA	4.5	3.94	—	—	3.80	—	
			I <sub>OH</sub> = -75mA*	5.5	—	—	—	3.85	—	
Low - Level Output Voltage	V <sub>OL</sub>	V <sub>IN</sub> = V <sub>IH</sub> or V <sub>IL</sub>	I <sub>OL</sub> = 50μA	4.5	—	0.0	0.1	—	0.1	V
			I <sub>OL</sub> = 24mA	4.5	—	—	0.36	—	0.44	
			I <sub>OL</sub> = 75mA*	5.5	—	—	—	—	1.65	
Input Leakage Current	I <sub>IN</sub>	V <sub>IN</sub> = V <sub>CC</sub> or GND	5.5	—	—	±0.1	—	±1.0	μA	
Quiescent Supply Current	I <sub>CC</sub>	V <sub>IN</sub> = V <sub>CC</sub> or GND	5.5	—	—	8.0	—	80.0		
	I <sub>C</sub>	PER INPUT : V <sub>IN</sub> = 3.4V OTHER INPUT : V <sub>CC</sub> or GND	5.5	—	—	1.35	—	1.5	mA	

\* : This spec indicates the capability of driving 50Ω transmission lines.  
One output should be tested at a time for a 10ms maximum duration.

TIMING REQUIREMENTS (Input  $t_r = t_f = 3\text{ns}$ )

PARAMETER	SYMBOL	TEST CONDITION	Ta = 25°C		Ta = -40~85°C		UNIT
			V <sub>CC</sub> (V)	LIMIT	LIMIT	LIMIT	
Minimum Pulse Width (CK)	t <sub>W(L)</sub> t <sub>W(H)</sub>		5.0 ± 0.5	5.0	5.0	5.0	ns
Minimum Pulse Width (CLR)	t <sub>W(L)</sub>		5.0 ± 0.5	5.0	5.0	5.0	
Minimum Set-up Time	t <sub>s</sub>		5.0 ± 0.5	3.0	3.0	3.0	
Minimum Hold Time	t <sub>h</sub>		5.0 ± 0.5	2.6	2.6	2.6	
Minimum Removal Time (CLR)	t <sub>rem</sub>		5.0 ± 0.5	2.0	2.0	2.0	

AC ELECTRICAL CHARACTERISTICS (C<sub>L</sub> = 50pF, R<sub>L</sub> = 500Ω, Input  $t_r = t_f = 3\text{ns}$ )

PARAMETER	SYMBOL	TEST CONDITION	Ta = 25°C			Ta = -40~85°C		UNIT	
			V <sub>CC</sub> (V)	MIN.	TYP.	MAX.	MIN.		MAX.
Propagation Delay Time (CK-Q)	t <sub>pLH</sub> t <sub>pHL</sub>		5.0 ± 0.5	—	6.6	11.0	1.0	12.5	ns
Propagation Delay Time (CLR-Q)	t <sub>pHL</sub>		5.0 ± 0.5	—	6.9	11.0	1.0	12.5	
Maximum Clock Frequency	f <sub>MAX</sub>		5.0 ± 0.5	80	150	—	80	—	MHz
Input Capacitance	C <sub>IN</sub>			—	5	10	—	10	pF
Power Dissipation Capacitance	C <sub>PD</sub> (1)			—	101	—	—	—	

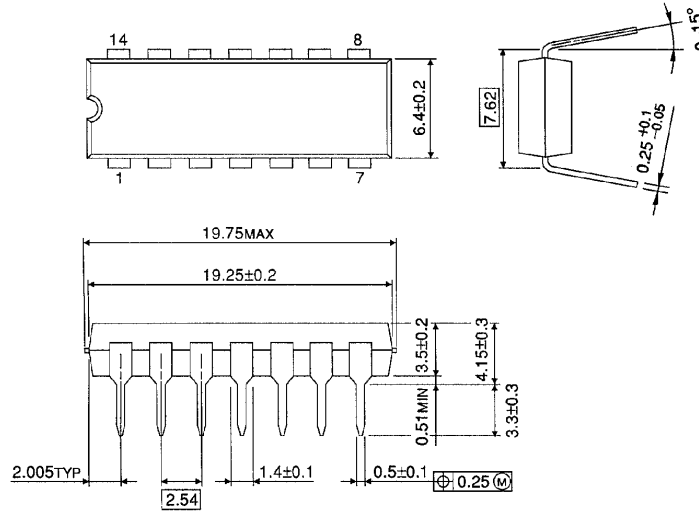
Note (1) C<sub>PD</sub> is defined as the value of the internal equivalent capacitance which is calculated from the operating current consumption without load.

Average operating current can be obtained by the equation :

$$I_{CC}(\text{opr.}) = C_{PD} \cdot V_{CC} \cdot f_{IN} + I_{CC}$$

DIP 14PIN PACKAGE DIMENSIONS (DIP14-P-300-2.54)

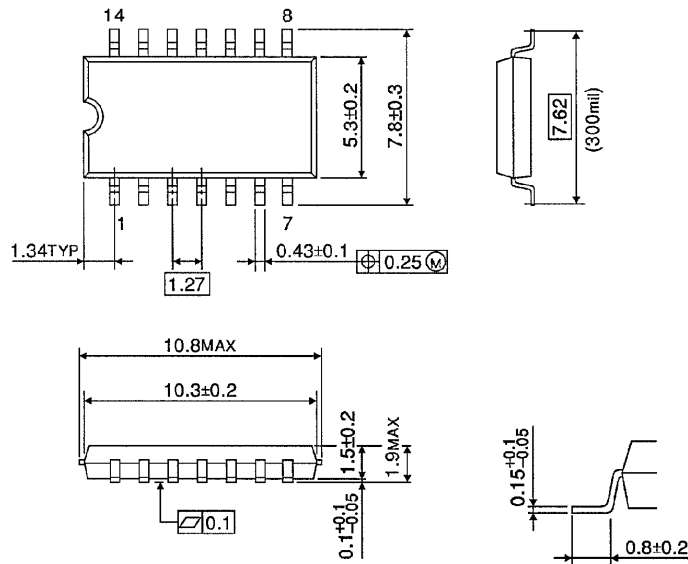
Unit in mm



Weight : 0.96g (Typ.)

SOP 14PIN (200mil BODY) PACKAGE DIMENSIONS (SOP14-P-300-1.27)

Unit in mm

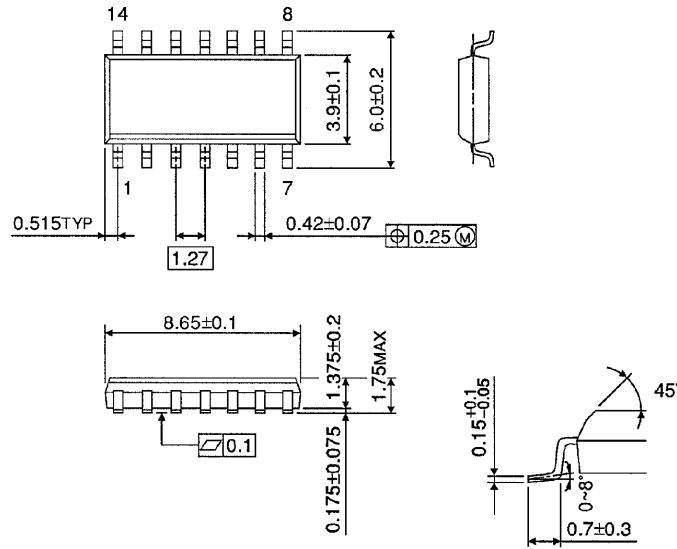


Weight : 0.18g (Typ.)

**SOP 14PIN (150mil BODY) PACKAGE DIMENSIONS (SOL14-P-150 -1.27)**

Unit in mm

(Note) This package is not available in Japan.



Weight : 0.12g (Typ.)

**RESTRICTIONS ON PRODUCT USE**

000707EBA

- TOSHIBA is continually working to improve the quality and reliability of its products. Nevertheless, semiconductor devices in general can malfunction or fail due to their inherent electrical sensitivity and vulnerability to physical stress. It is the responsibility of the buyer, when utilizing TOSHIBA products, to comply with the standards of safety in making a safe design for the entire system, and to avoid situations in which a malfunction or failure of such TOSHIBA products could cause loss of human life, bodily injury or damage to property. In developing your designs, please ensure that TOSHIBA products are used within specified operating ranges as set forth in the most recent TOSHIBA products specifications. Also, please keep in mind the precautions and conditions set forth in the "Handling Guide for Semiconductor Devices," or "TOSHIBA Semiconductor Reliability Handbook" etc..
- The TOSHIBA products listed in this document are intended for usage in general electronics applications (computer, personal equipment, office equipment, measuring equipment, industrial robotics, domestic appliances, etc.). These TOSHIBA products are neither intended nor warranted for usage in equipment that requires extraordinarily high quality and/or reliability or a malfunction or failure of which may cause loss of human life or bodily injury ("Unintended Usage"). Unintended Usage include atomic energy control instruments, airplane or spaceship instruments, transportation instruments, traffic signal instruments, combustion control instruments, medical instruments, all types of safety devices, etc.. Unintended Usage of TOSHIBA products listed in this document shall be made at the customer's own risk.
- The products described in this document are subject to the foreign exchange and foreign trade laws.
- The information contained herein is presented only as a guide for the applications of our products. No responsibility is assumed by TOSHIBA CORPORATION for any infringements of intellectual property or other rights of the third parties which may result from its use. No license is granted by implication or otherwise under any intellectual property or other rights of TOSHIBA CORPORATION or others.
- The information contained herein is subject to change without notice.