

TA8505P

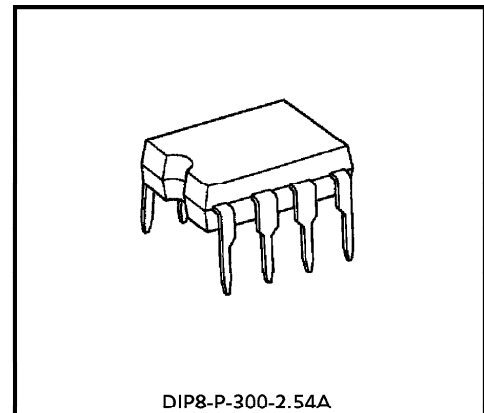
SUPPLY VOLTAGE SUPERVISOR

TA8505P is a bipolar monolithic IC developed for Reset Controller in digital systems, especially in microcomputer systems.

Wide Range detecting voltage can be set freely by a few external parts.

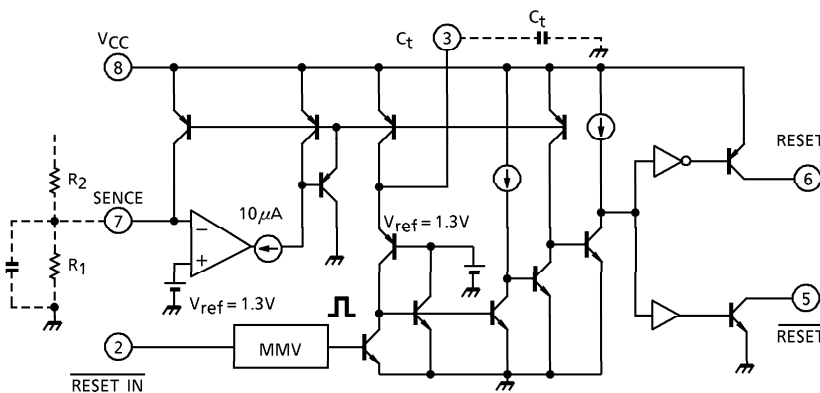
FEATURES

- A detected voltage and hysteresis can be set with 2 external resistances.
- Provided the 2 Outputs of Reset and $\overline{\text{Reset}}$.
- $\overline{\text{Reset-IN}}$ signal can reset two Outputs' Voltage.
- Wide operating Voltage Range : 1.8~32V
- Output current : $I_{OL} = 20\text{mA}$ (Max.)

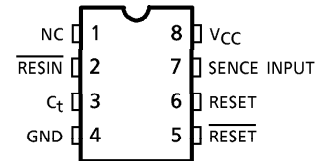


Weight : 0.5g (Typ.)

BLOCK DIAGRAM



PIN CONNECTION (TOP VIEW)



961001EBA2

- TOSHIBA is continually working to improve the quality and the reliability of its products. Nevertheless, semiconductor devices in general can malfunction or fail due to their inherent electrical sensitivity and vulnerability to physical stress. It is the responsibility of the buyer, when utilizing TOSHIBA products, to observe standards of safety, and to avoid situations in which a malfunction or failure of a TOSHIBA product could cause loss of human life, bodily injury or damage to property. In developing your designs, please ensure that TOSHIBA products are used within specified operating ranges as set forth in the most recent products specifications. Also, please keep in mind the precautions and conditions set forth in the TOSHIBA Semiconductor Reliability Handbook.
- The products described in this document are subject to foreign exchange and foreign trade control laws.
- The information contained herein is presented only as a guide for the applications of our products. No responsibility is assumed by TOSHIBA CORPORATION for any infringements of intellectual property or other rights of the third parties which may result from its use. No license is granted by implication or otherwise under any intellectual property or other rights of TOSHIBA CORPORATION or others.
- The information contained herein is subject to change without notice.

MAXIMUM RATINGS (Ta = 25°C)

CHARACTERISTIC	SYMBOL	RATING	UNIT
Supply Voltage	V _{CC}	36	V
Breakdown Voltage	$\overline{\text{RESIN}}$	36	V
	SENSE		
Output Current	I _{OH}	- 1	mA
	I _{OL}	20	
Power Dissipation	P _D	0.6	W
Operating Temperature	T _{opr}	- 40~85	°C
Storage Temperature	T _{stg}	- 55~150	°C

RECOMMENDED OPERATING CONDITION

CHARACTERISTIC		SYMBOL	TEST CONDITION	MIN.	TYP.	MAX.	UNIT	
Supply Voltage		V _{CC}	—	1.8	—	32	V	
Input Voltage		V _{IN}	—	0	—	V _{CC}	V	
Input Voltage	"H" Level	$\overline{\text{RESIN}}$	V _{IH}	—	2.0	—	V _{CC}	V
	"L" Level	$\overline{\text{RESIN}}$	V _{IL}	—	0	—	0.6	
Output Current	RESET	I _{OH}	—	0	—	- 1	mA	
	$\overline{\text{RESET}}$	I _{OL}	—	0	—	16		
Operation Temperature		T _{opr}	—	0	—	70	°C	

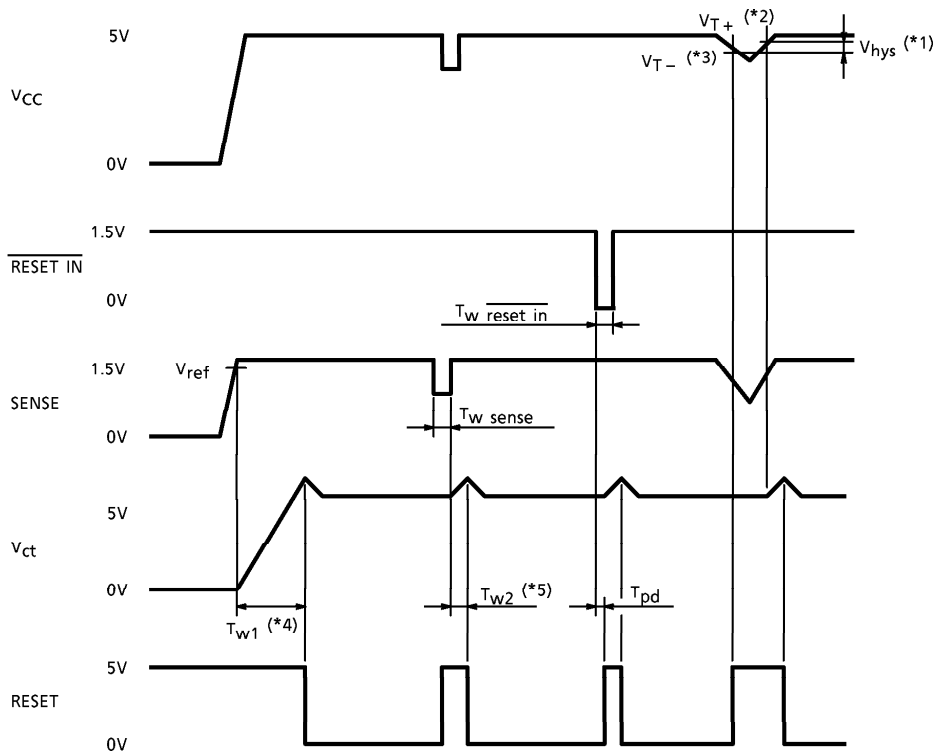
ELECTRICAL CHARACTERISTICS (Ta = 25°C)

CHARACTERISTIC		SYMBOL	TEST CIR-CUIT	TEST CONDITION	MIN.	TYP.	MAX.	UNIT	
Input Current	"H" Level	$\overline{\text{RESIN}}$	—	V _{CC} = 5.0V	V _{IN} = 2.0V	—	—	2	μA
		SENSE			V _{IN} = 1.5V	- 8	- 12	- 16	
	"L" Level	$\overline{\text{RESIN}}$			V _{IN} = 0.4V	0	- 0.8	- 6	
		SENSE			V _{IN} = 1V	0	—	± 2	
C _t Charge Current		I _{ct}	—	V _{CC} = 5.0V, V _{ct} = 0V	- 12	- 19	- 26	μA	
Output Voltage	RESET	V _{OH}	—	V _{CC} = 5.0V	I _{OL} = - 1mA	4.5	4.8	—	V
	$\overline{\text{RESET}}$	V _{OL}			I _{OH} = 16mA	—	0.1	0.4	
Output Current	RESET	I _{OL}	—	V _{CC} = 5.0V	V _{OL} = 0V	—	—	- 2	μA
	$\overline{\text{RESET}}$	I _{OH}			V _{OH} = 5.0V	—	—	2	
Reference Voltage		V _{ref}	—	V _{CC} = 5.0V	1.24	1.31	1.38	V	
Supply Current		I _{CC}	—	V _{CC} = 5.0V, All inputs and outputs open	—	1.6	3.0	mA	

AC CHARACTERISTICS (V_{CC} = 5V, Ta = 25°C)

CHARACTERISTIC	SYMBOL	TEST CIRCUIT	TEST CONDITION	MIN.	TYP.	MAX.	UNIT	
Input Pulse Width	t _{w sense}	—	V _{IH} = V _{ref} Typ + 200mA V _{IL} = V _{ref} Typ - 200mA	1.0	—	—	μs	
	t _{w reset in}	—	—	0.4	1.4	—		
Output Pulse Width	t _w	—	C _t = 0.1 μF	V _{ct} (t = 0) = 1V	0.65	1.3	2.6	ms
			V _{ct} (t = 0) = 0V	—	5.7	—		
Propagation Delay Time (RESIN-RESET)	t _{pd}	—	C _L = 100pF, R _L = 4.7kΩ	—	1	—	μs	

TIMING CHART



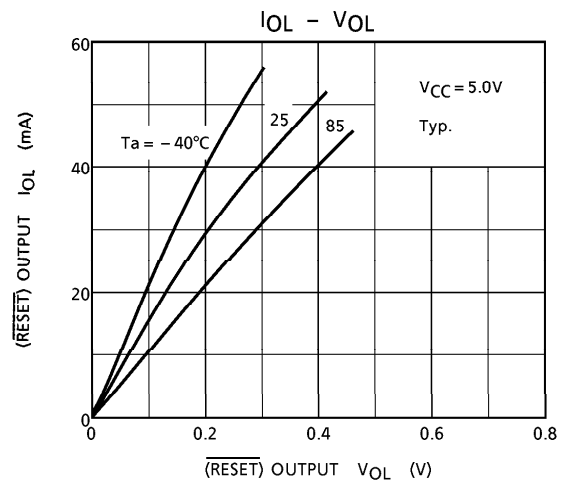
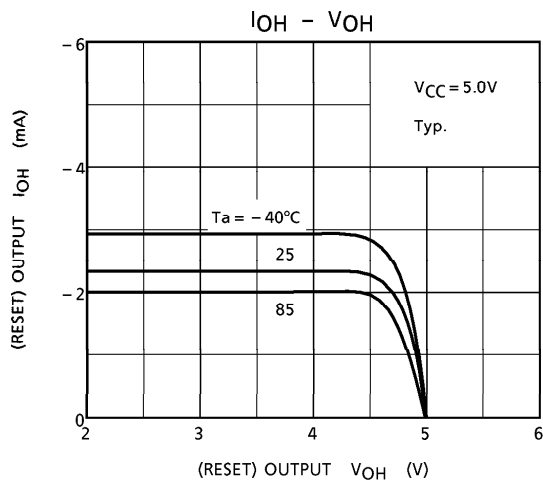
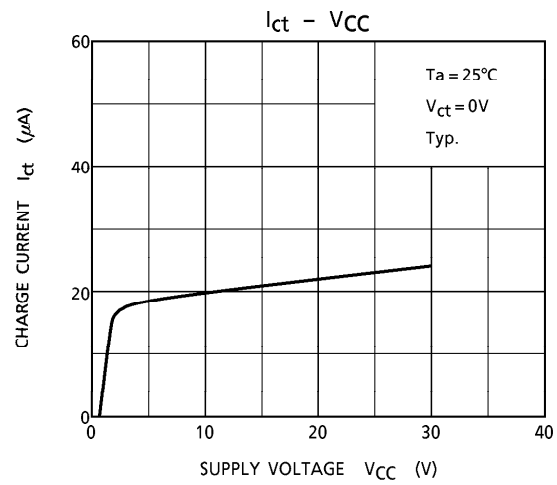
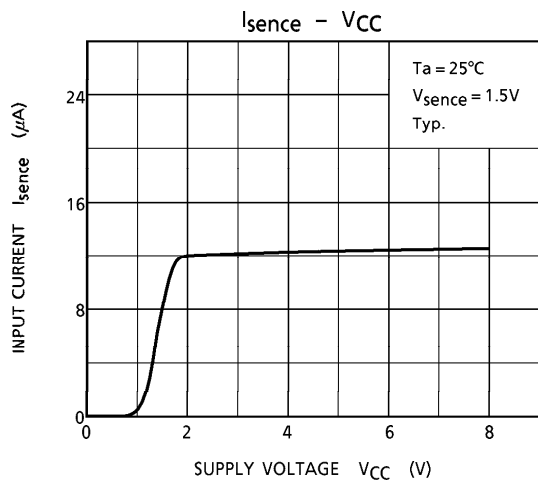
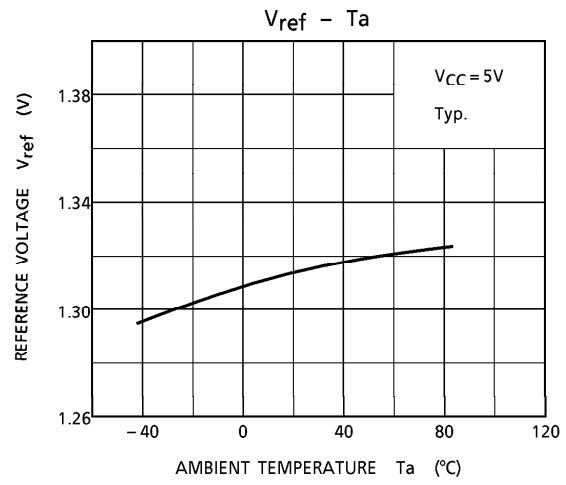
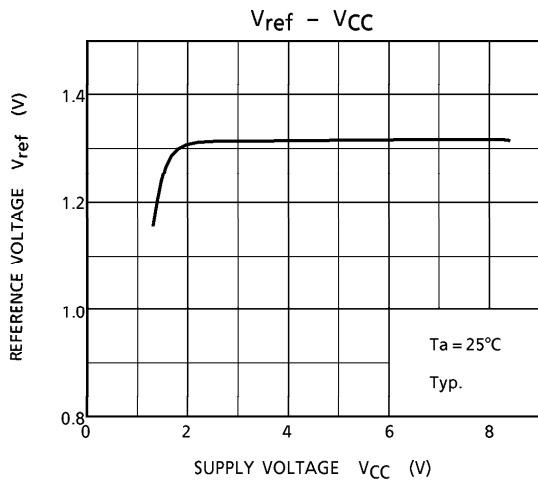
(*1) $V_{hys} = (R_1 + R_2) \times 10^{-5} \text{ (V)}$

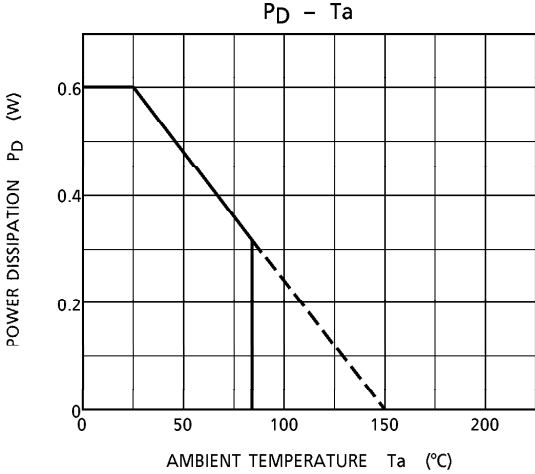
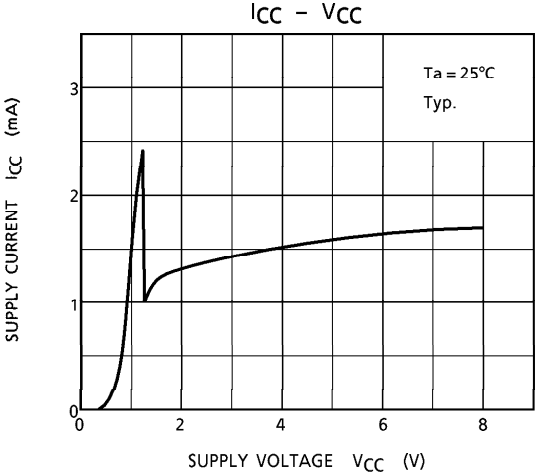
(*2) $V_{T+} = \frac{R_1 + R_2}{R_1} \times 1.31 \text{ (V)}$

(*3) $V_{T-} = \frac{R_1 + R_2}{R_1} \times (1.31 - R_1 \times 10^{-5}) \text{ (V)}$

(*4) $T_{w1} = G_t \cdot (V_{ref} - 0V) / I_{CT} \text{ (I}_{CT} = 23 \mu\text{A})$

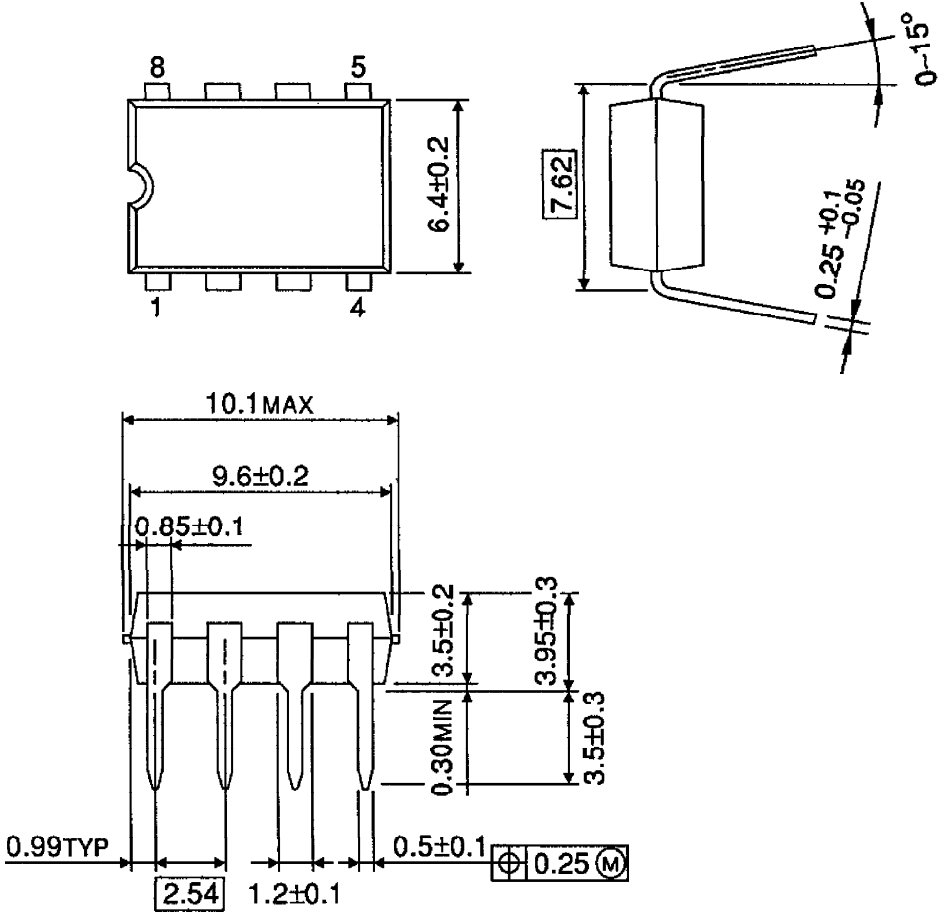
(*5) $T_{w2} = G_t \cdot (V_{ref} - 1V) / I_{CT}$





OUTLINE DRAWING
DIP8-P-300-2.54A

Unit : mm



Weight : 0.5g (Typ.)