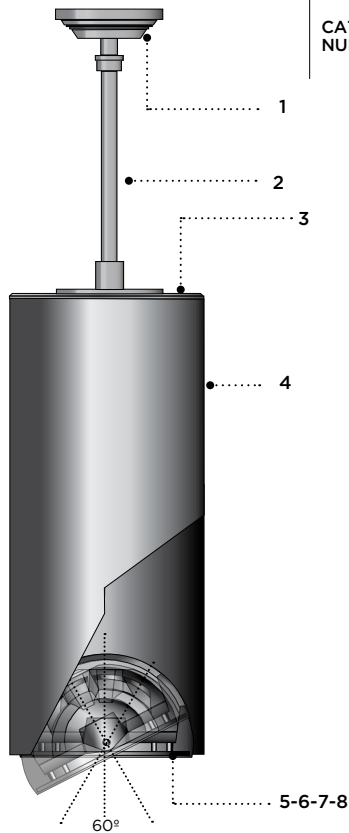


TYPE: \_\_\_\_\_ QUANTITY: \_\_\_\_\_ PROJECT: \_\_\_\_\_

CATALOG NUMBER:

FIXTURE WATTAGE VOLTAGE FINISH OPTION OPTION OPTION OPTION



- 1- Standard heavy duty 45° hang straight swivel, with 5" diameter (127) canopy and universal mounting plate.
- 2- 7/8" diameter (22) X36" long (914) suspension stem. Precut factory stems are available on request.
- 3- Cast aluminum ventilated top cover.
- 4- Seamless extruded aluminum cylindrical driver housing.
- 5- Fully sealed cast aluminum down light assembly.
- 6- Sealed cast aluminum lens frame.
- 7- Clear tempered glass lens.
- 8- Faceted specular aluminum reflector



All stainless steel hardware.

**Syrios LED** light module is designed with a tilting mechanism allowing forward and back light adjustability. The  $\pm 30^\circ$  directional module allows to aim the light beam in the desired direction, without disturbing the luminaire mounting. The module can be secured using the built in locking mechanism.

### MATERIALS

**Syrios LED** is made of corrosion resistant 356 aluminum alloy with a copper (CU) content of less than 0.1%.

The main housing is made of seamless extruded aluminum, with an integrally sealed LED light module designed for optimal heat dissipation, and lighting performance.

**Syrios LED** is standard with a unique proprietary design allowing the sealed LED module to tilt within the cylindrical housing.

The top cast aluminum cover includes ventilation slots allowing air circulation and cooling of assembly.

**Syrios LED SY605** series is standard with 20° optic. See options section for alternate selection.

### ELECTRICAL

**DRIVER** Standard 0-10V dimmable LED driver is 120/277V multi volt (50-60HZ) with operating temperatures of  $-30^\circ\text{C}/-22^\circ\text{F}$  to  $60^\circ\text{C}/140^\circ\text{F}$ . Output over voltage. Output over current and output short circuit protection with auto-recovery.

**LED** Standard 4000K LED engine included. Optional 3000K, 3500K & 5000K. Removable modular LED platform.

### LIFE

54,000hrs  $L_{70}B_{50}$  (based on IESNA TM-21 Test Method and LM-80 data).  
66,000hrs  $L_{70}B_{50}$  (calculated projection from LM-80 data).

### FINISH

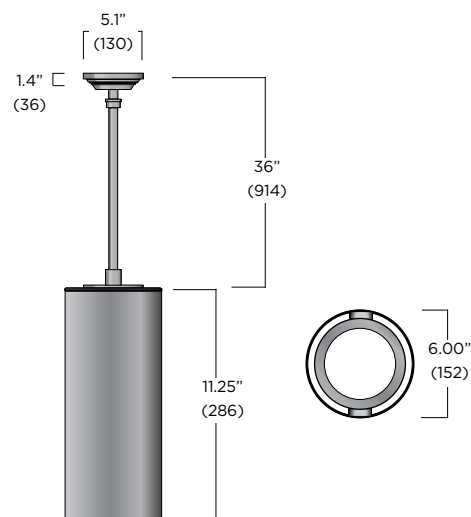
Five-stage preparation process including preheating of cast aluminum parts for air extraction, and an environmentally friendly alloy sealant. Polyester powder coating is applied through an electrostatic process and oven cured for long term finish.

### MOUNTING

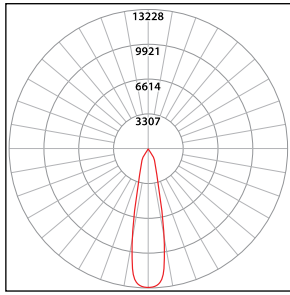
The mounting plate is designed to fit on a 4" (102) octagonal electrical box using 3 1/2" (89) C/C mounting holes.

### CERTIFICATION

Tested to UL1598 and CSA 22.2 #250. ETL listed wet location. Rated IP66. CE Certification on request.



## TYPICAL PHOTOMETRY SUMMARY




### Descriptive Information

SY605-L1W30r1  
 Total Lms: 3197 Lumens  
 Total Input Watts: 34.74 W  
 Source: LED  
 Efficacy: 92.03 Lumens/Watt  
 BUG: B3-U0-G0  
 CCT/CRI: 4000K/80  
 Maximum Candela: 13228 @ 0 deg

Please visit our web site [www.luminis.com](http://www.luminis.com) for complete I.E.S. formatted download data.

## LUMINAIRE SELECTION

MODEL#	LED LIGHT SELECTION	VOLTAGE	FINISH																
 <input type="checkbox"/> SY605	<table border="1"> <thead> <tr> <th>SUFFIX</th> <th>INPUT WATTS</th> <th>DELIVERED LUMENS</th> <th>CRI</th> <th>CCT °K</th> </tr> </thead> <tbody> <tr> <td><input type="checkbox"/> L1W12r1</td> <td>12W</td> <td>1139</td> <td rowspan="3">80</td> <td rowspan="3">4000K</td> </tr> <tr> <td><input type="checkbox"/> L1W18r1</td> <td>18W</td> <td>1686</td> </tr> <tr> <td><input type="checkbox"/> L1W30r1</td> <td>35W</td> <td>3197</td> </tr> </tbody> </table>	SUFFIX	INPUT WATTS	DELIVERED LUMENS	CRI	CCT °K	<input type="checkbox"/> L1W12r1	12W	1139	80	4000K	<input type="checkbox"/> L1W18r1	18W	1686	<input type="checkbox"/> L1W30r1	35W	3197	<input type="checkbox"/> 120V <input type="checkbox"/> 277V Optional <input type="checkbox"/> 347V	<b>STANDARD COLORS</b> <input type="checkbox"/> WHT Snow white <input type="checkbox"/> BKT Jet black <input type="checkbox"/> BZT Bronze <input type="checkbox"/> MST Matte silver <input type="checkbox"/> GRT Titanium gray <input type="checkbox"/> DGT Gun metal <input type="checkbox"/> CHT Champagne (Refer to color chart) <b>OPTIONAL COLORS</b> <input type="checkbox"/> CS Custom color <input type="checkbox"/> RAL RAL# color <input type="checkbox"/> SS6 #316 Stainless steel body
	SUFFIX	INPUT WATTS	DELIVERED LUMENS	CRI	CCT °K														
	<input type="checkbox"/> L1W12r1	12W	1139	80	4000K														
	<input type="checkbox"/> L1W18r1	18W	1686																
<input type="checkbox"/> L1W30r1	35W	3197																	

## OPTIONS

### ELECTRICAL

- FS** Fuse
- 347L** Step down transformer for 347V input

### MOUNTING

- SPG** Silver braided power cord with adjustable suspension cable. 36" in length (other lengths on request.)

### COLOR FILTER

- R6** Red color filter
- G6** Green color filter
- B6** Blue color filter

### LIGHT & OPTICS

- Alternate CCT °K LED (LCF: Lumen conversion factor)
- K3** 3000K CCT 90 CRI (LCF: 0.78)
  - K35** 3500K CCT 80 CRI (LCF: 0.983)
  - K5** 5000K CCT 80 CRI (LCF: 1.01)
  - RGBW** RGBW color changing with DMX512 ready

### Alternate reflector optics (20° Standard reflector)

- R45** 45° flood optic
- R60** 60° wide flood optic
- LSL** Linear spread lens (Asymmetric lens distribution is achieved when light module is tilted)
- RG** Regressed light module for increased cut-off

