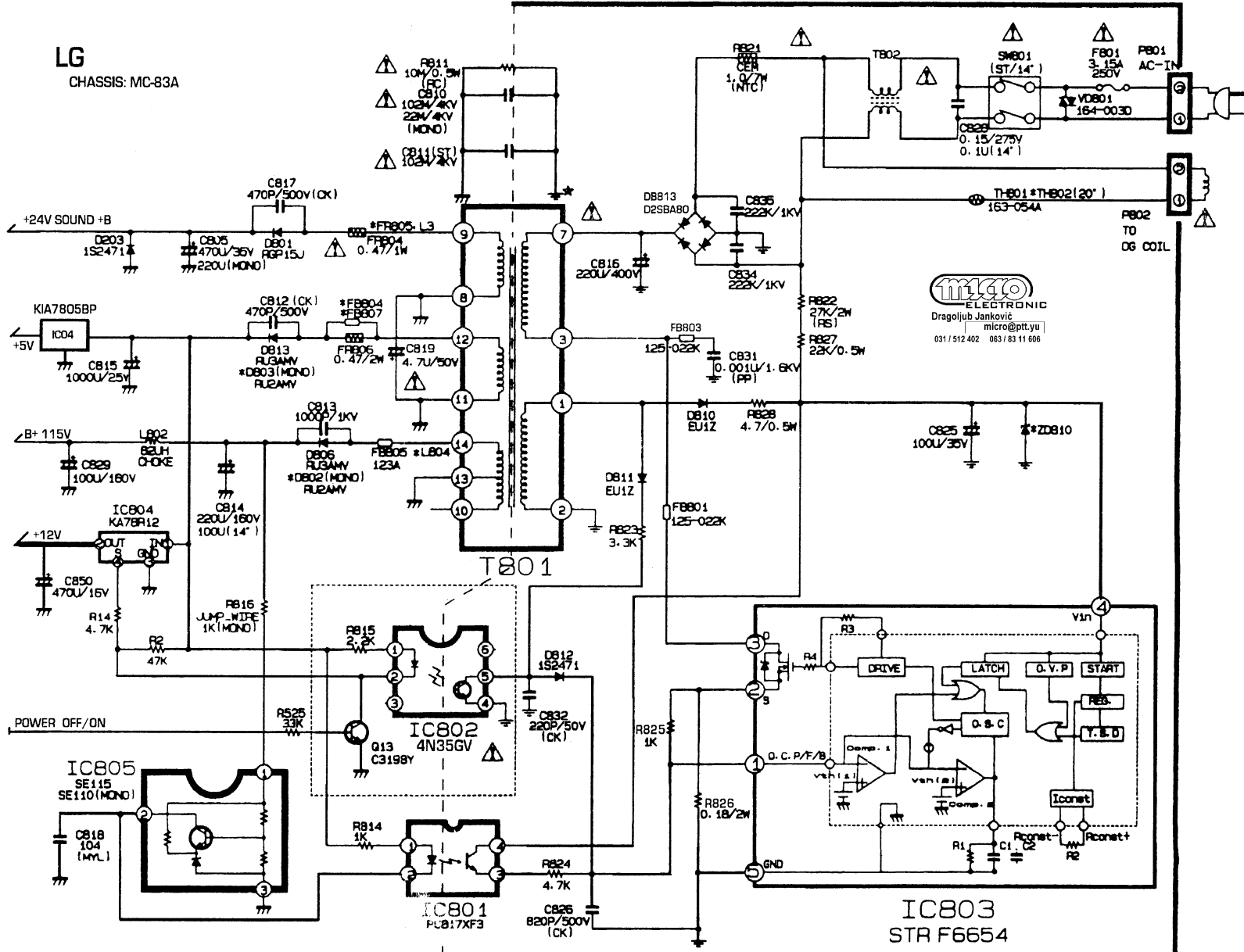


LG

CHASSIS: MC-83A



micro
ELECTRONIC
Dragoljub Janković
micro@pit.yu
031/512.402 063/83.11.606

IC803
STR F6654

