



STB13NK60Z - STB13NK60Z-1 STP13NK60Z/FP - STW13NK60Z

N-CHANNEL 600V - 0.48Ω - 13A - TO-220/FP - D²/I²PAK - TO-247
Zener-Protected SuperMESH™ MOSFET

General features

| Type | V _{DSS} | R _{DS(on)} | I _D | P _w |
|--------------|------------------|---------------------|----------------|----------------|
| STB13NK60Z-1 | 600 V | <0.55 Ω | 13 A | 150 W |
| STB13NK60Z | 600 V | <0.55 Ω | 13 A | 150 W |
| STP13NK60ZFP | 600 V | <0.55 Ω | 13 A | 35 W |
| STP13NK60Z | 600 V | <0.55 Ω | 13 A | 150 W |
| STW13NK60Z | 600 V | <0.55 Ω | 13 A | 150 W |

- GATE CHARGE MINIMIZED
- VERY LOW INTRINSIC CAPACITANCES
- VERY GOOD MANUFACTURING REPEABILITY

Description

The SuperMESH™ series is obtained through an extreme optimization of ST's well established strip-based PowerMESH™ layout. In addition to pushing on-resistance significantly down, special care is taken to ensure a very good dv/dt capability for the most demanding applications.

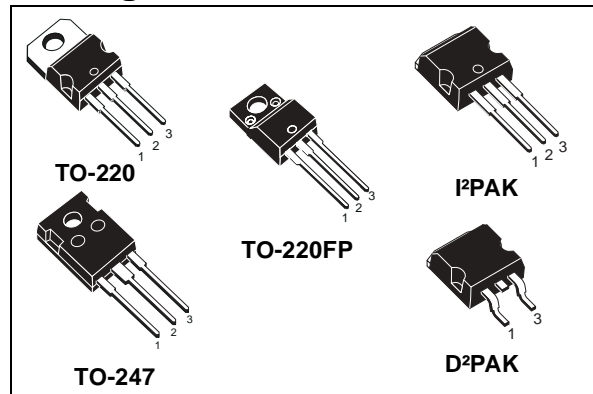
Applications

- HIGH CURRENT, HIGH SPEED SWITCHING
- SWITCH MODE POWER SUPPLIES
- DC-AC CONVERTERS FOR WELDING, UPS AND MOTOR DRIVE

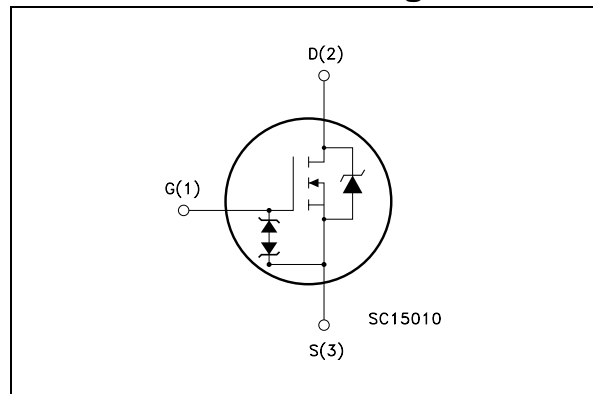
Order codes

| Sales Type | Marking | Package | Packaging |
|--------------|------------|--------------------|-------------|
| STB13NK60Z-1 | B13NK60Z-1 | I ² PAK | TUBE |
| STB13NK60ZT4 | B13NK60Z | D ² PAK | TAPE & REEL |
| STP13NK60ZFP | P13NK60ZFP | TO-220FP | TUBE |
| STP13NK60Z | P13NK60Z | TO-220 | TUBE |
| STW13NK60Z | W13NK60Z | TO-247 | TUBE |

Package



Internal schematic diagram



1 Electrical ratings

Table 1. Absolute maximum ratings

| Symbol | Parameter | Value | | Unit |
|------------------------------------|---|--|--------------|------|
| | | TO-220 / TO-247 I ² PAK / D ² PAK | TO-220FP | |
| V _{DS} | Drain-Source Voltage (V _{GS} = 0) | 600 | | V |
| V _{DGR} | Drain-gate Voltage (R _{GS} = 20kΩ) | 600 | | V |
| V _{GS} | Gate-Source Voltage | ± 30 | | V |
| I _D | Drain Current (continuous) at T _C = 25°C | 13 | 13 (Note 1) | A |
| I _D | Drain Current (continuous) at T _C = 100°C | 8.2 | 8.2 (Note 1) | A |
| I _{DM} Note 2 | Drain Current (pulsed) | 52 | 52 (Note 1) | A |
| P _{TOT} | Total Dissipation at T _C = 25°C | 150 | 35 | W |
| | Derating Factor | 1.20 | 0.27 | W/°C |
| Vesd(G-S) | G-S ESD (HBM C=100pF, R=1.5kΩ) | 4000 | | V |
| dv/dt Note 3 | Peak Diode Recovery voltage slope | 4.5 | | V/ns |
| V _{ISO} | Insulation Withstand Voltage (DC) | -- | 2500 | V |
| T _j T _{stg} | Operating Junction Temperature Storage Temperature | -55 to 150 | | °C |

Table 2. Thermal data

| | Parameter | TO-220 | D ² PAK | TO-220FP | Unit |
|--------------------------------|--|-----------------------------|--------------------|----------|------|
| | | I ² PAK / TO-247 | | | |
| R _{thj-case} | Thermal Resistance Junction-case Max | 0.83 | | 3.6 | °C/W |
| R _{thj-pcb} Note 7 | Thermal Resistance Junction-pcb Max | -- | 60 | -- | °C/W |
| R _{thj-amb} | Thermal Resistance Junction-amb Max | 62.5 | | | °C/W |
| T _l | Maximum Lead Temperature For Soldering Purpose | 300 | | | °C |

Table 3. Avalanche characteristics

| Symbol | Parameter | Max Value | Unit |
|-----------------|--|-----------|------|
| I _{AR} | Avalanche Current, repetitive or Not-Repetitive (pulse width limited by T _j max) | 10 | A |
| E _{AS} | Single Pulse Avalanche Energy (starting T _j =25°C, I _D =I _{AR} , V _{DD} = 50V) | 400 | mJ |

2 Electrical characteristics

($T_{CASE} = 25\text{ °C}$ unless otherwise specified)

Table 4. On/off states

| Symbol | Parameter | Test Conditions | Min. | Typ. | Max. | Unit |
|---------------|--|--|------|------|----------|--------------------------------|
| $V_{(BR)DSS}$ | Drain-Source Breakdown Voltage | $I_D = 1\text{ mA}$, $V_{GS} = 0$ | 600 | | | V |
| I_{DSS} | Zero Gate Voltage Drain Current ($V_{GS} = 0$) | $V_{DS} = \text{Max Rating}$, $V_{DS} = \text{Max Rating}$, $T_c = 125\text{ °C}$ | | | 1 50 | μA μA |
| I_{GSS} | Gate Body Leakage Current ($V_{DS} = 0$) | $V_{GS} = \pm 20\text{ V}$ | | | ± 10 | μA |
| $V_{GS(th)}$ | Gate Threshold Voltage | $V_{DS} = V_{GS}$, $I_D = 100\text{ }\mu\text{A}$ | 3 | 3.75 | 4.5 | V |
| $R_{DS(on)}$ | Static Drain-Source On Resistance | $V_{GS} = 10\text{ V}$, $I_D = 4.5\text{ A}$ | | 0.48 | 0.55 | Ω |

Table 5. Dynamic

| Symbol | Parameter | Test Conditions | Min. | Typ. | Max. | Unit |
|---------------------------------------|-------------------------------|--|------|------|------|------|
| g_{fs} <i>Note 4</i> | Forward Transconductance | $V_{DS} = 8\text{ V}$, $I_D = 5\text{ A}$ | | 11 | | S |
| C_{iss} | Input Capacitance | $V_{DS} = 25\text{ V}$, $f = 1\text{ MHz}$, $V_{GS} = 0$ | | 2030 | | pF |
| C_{oss} | Output Capacitance | | | 210 | | pF |
| C_{rss} | Reverse Transfer Capacitance | | | 48 | | pF |
| $C_{oss\text{ eq.}}$ <i>Note 5</i> | Equivalent Output Capacitance | $V_{GS} = 0$, $V_{DS} = 0\text{ V to } 480\text{ V}$ | | 125 | | pF |
| Q_g | Total Gate Charge | $V_{DD} = 480\text{ V}$, $I_D = 10\text{ A}$ | | 66 | 92 | nC |
| Q_{gs} | Gate-Source Charge | $V_{GS} = 10\text{ V}$ | | 11 | | nC |
| Q_{gd} | Gate-Drain Charge | (see Figure 19) | | 33 | | nC |

Table 6. Switching times

| Symbol | Parameter | Test Conditions | Min. | Typ. | Max. | Unit |
|---------------------------------|---|--|------|---------------|------|----------------|
| $t_{d(on)}$ t_r | Turn-on Delay Time Rise Time | $V_{DD} = 300\text{ V}$, $I_D = 5\text{ A}$, $R_G = 4.7\text{ }\Omega$, $V_{GS} = 10\text{ V}$ (see Figure 20) | | 22 14 | | ns ns |
| $t_{d(off)}$ t_f | Turn-off Delay Time Fall Time | $V_{DD} = 300\text{ V}$, $I_D = 5\text{ A}$, $R_G = 4.7\text{ }\Omega$, $V_{GS} = 10\text{ V}$ (see Figure 20) | | 61 12 | | ns ns |
| $t_{r(Voff)}$ t_f t_c | Off-voltage Rise Time Fall Time Cross-over Time | $V_{DD} = 480\text{ V}$, $I_D = 10\text{ A}$, $R_G = 4.7\text{ }\Omega$, $V_{GS} = 10\text{ V}$ (see Figure 20) | | 10 9 20 | | ns ns ns |

Table 7. Gate-source zener diode

| Symbol | Parameter | Test Conditions | Min. | Typ. | Max. | Unit |
|-----------------------------|-------------------------------|---|------|------|------|------|
| BV_{GSO} <i>Note 6</i> | Gate-Source Breakdown Voltage | $I_{GS}=\pm 1\text{mA}$ (Open Drain) | 30 | | | V |

Table 8. Source drain diode

| Symbol | Parameter | Test Conditions | Min. | Typ. | Max. | Unit |
|-------------------------|-------------------------------|---|------|------|------|---------------|
| I_{SD} | Source-drain Current | | | | 10 | A |
| I_{SDM} <i>Note 2</i> | Source-drain Current (pulsed) | | | | 40 | A |
| V_{SD} <i>Note 4</i> | Forward on Voltage | $I_{SD} = 10\text{ A}, V_{GS}=0$ | | | 1.6 | V |
| t_{rr} | Reverse Recovery Time | $I_{SD}= 10\text{A}, di/dt = 100\text{A}/\mu\text{s},$ $V_{DD}=35\text{ V}, T_j=150^\circ\text{C}$ | | 570 | | ns |
| Q_{rr} | Reverse Recovery Charge | | | 4.5 | | μC |
| I_{RRM} | Reverse Recovery Current | | | 16 | | A |

(1) Limited only by maximum temperature allowed

(2) Pulse width limited by safe operating area

(3) $I_{SD} \leq 13\text{A}$, $di/dt \leq 200\text{A}/\mu\text{s}$, $V_{DD} \leq V_{(BR)DSS}$, $T_j \leq T_{JMAX}$

(4) Pulsed: pulse duration = 300 μs , duty cycle 1.5%

(5) $C_{oss\text{ eq}}$ is defined as a constant equivalent capacitance giving the same charging time as C_{oss} when V_{DS} increases from 0 to 80%

(6) The built-in back-to-back Zener diodes have specifically been designed to enhance not only the device's ESD capability, but also to make them safely absorb possible voltage transients that may occasionally be applied from gate to source. In this respect the Zener voltage is appropriate to achieve an efficient and cost-effective intervention to protect the device's integrity. These integrated Zener diodes thus avoid the usage of external components.

(7) When mounted on minimum Footprint

2.1 Electrical characteristics (curves)

Figure 1. Safe Operating Area for TO-220/ D²PAK/ I²PAK

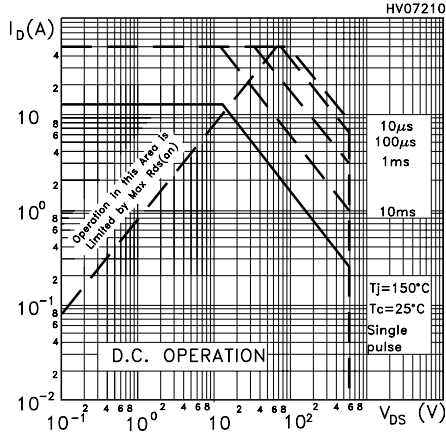


Figure 2. Thermal Impedance for TO-220/ D²PAK/ I²PAK

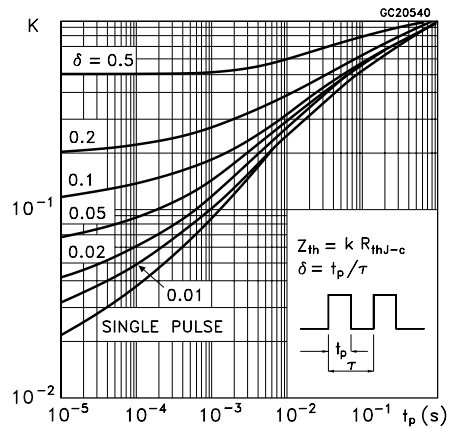


Figure 3. Safe Operating Area for TO-220FP

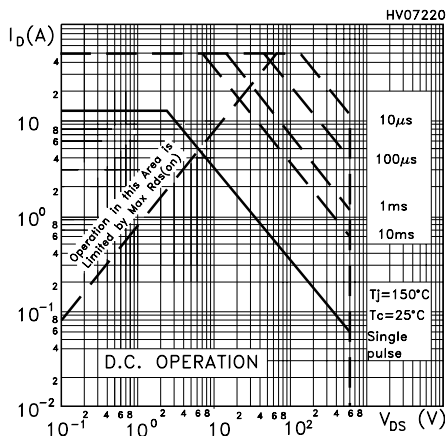


Figure 4. Thermal Impedance for TO-220FP

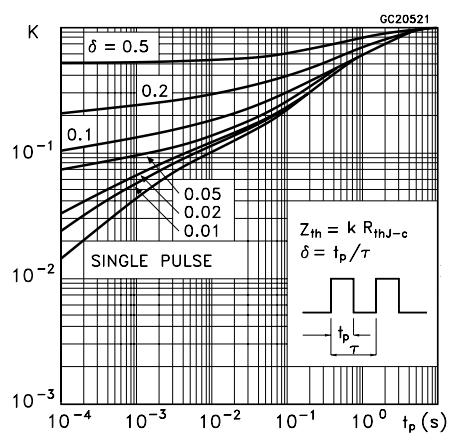


Figure 5. Safe Operating Area for TO-247

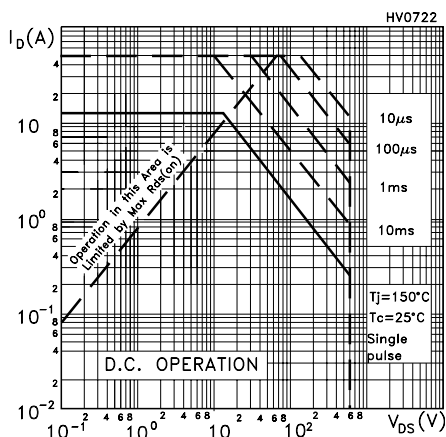


Figure 6. Thermal Impedance for TO-247

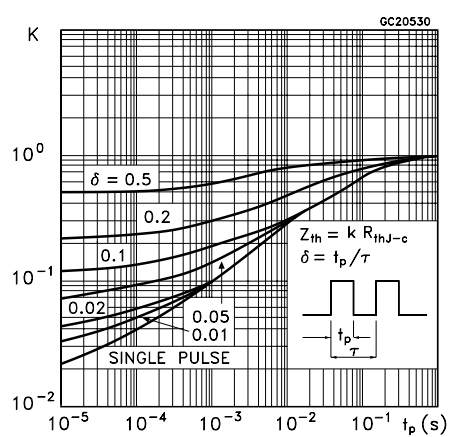


Figure 7. Output Characteristics

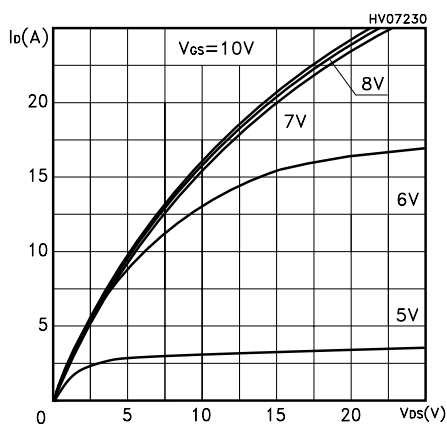


Figure 8. Transfer Characteristics

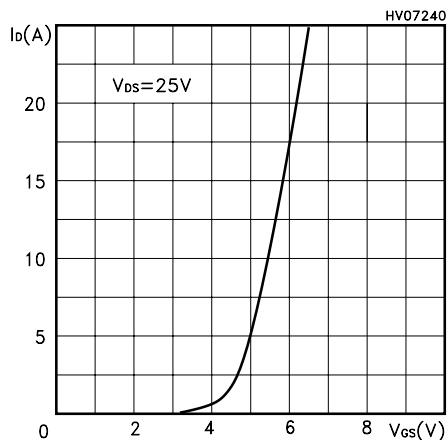


Figure 9. Transconductance

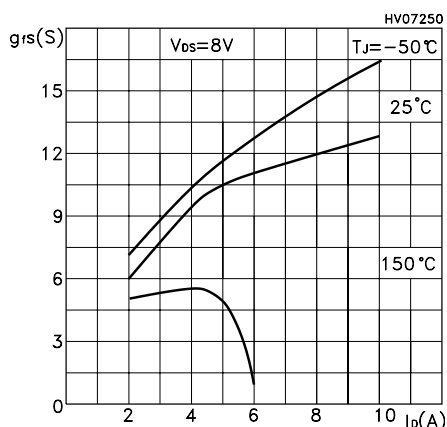


Figure 10. Static Drain-Source on Resistance

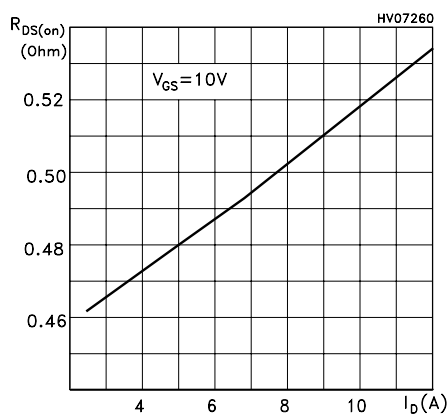


Figure 11. Gate Charge vs Gate -Source Voltage

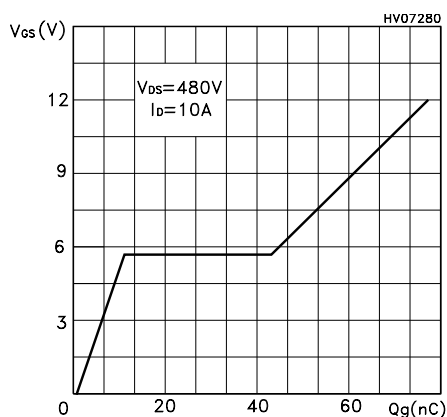


Figure 12. Capacitance Variations

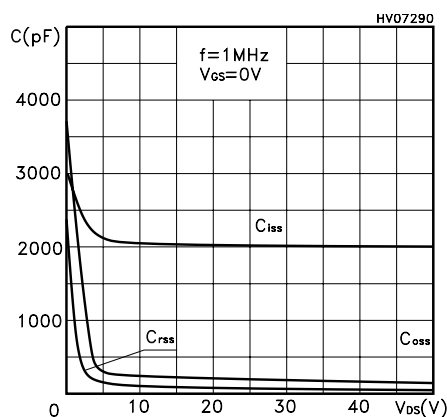


Figure 13. Normalized Gate Threshold Voltage vs Temperature

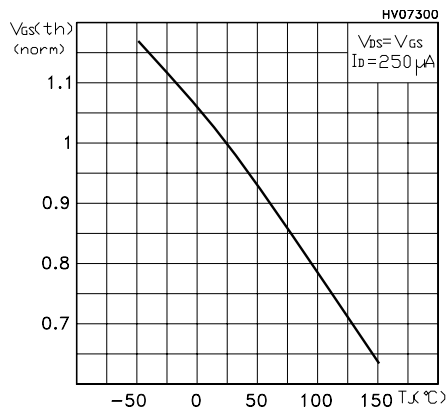


Figure 14. Normalized on Resistance vs Temperature

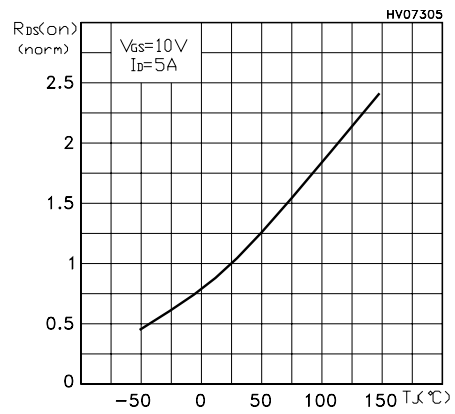


Figure 15. Source-drain Diode Forward Characteristics

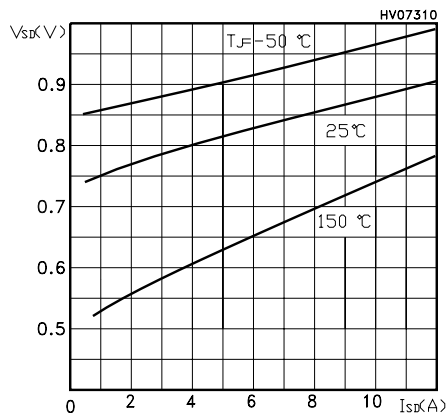


Figure 16. Normalized BVDSS vs Temperature

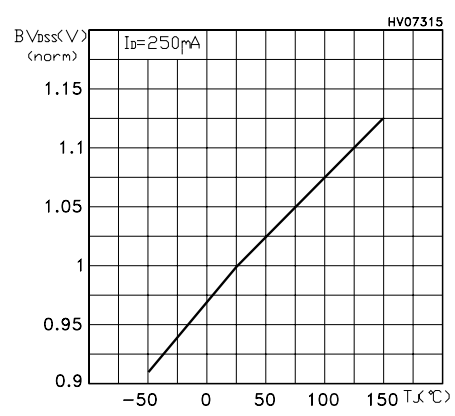
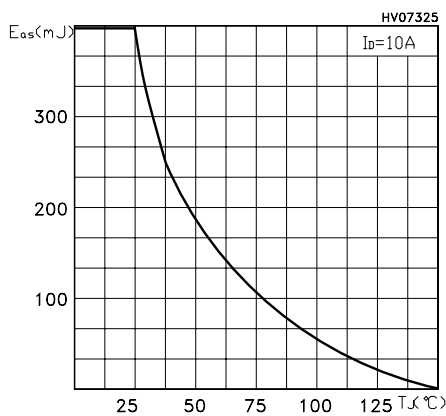


Figure 17. Maximum Avalanche Energy vs Temperature



3 Test circuits

Figure 18. Switching Times Test Circuit For Resistive Load

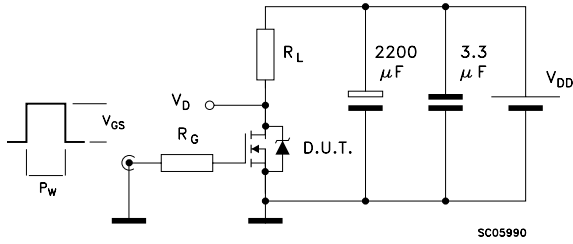


Figure 19. Gate Charge Test Circuit

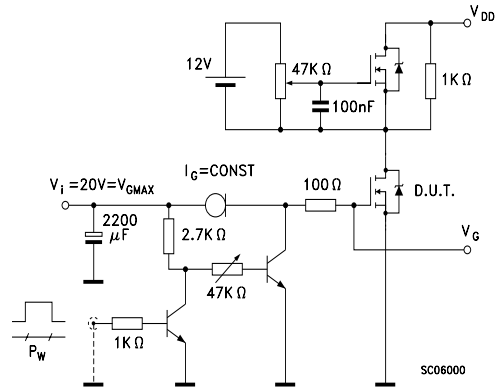
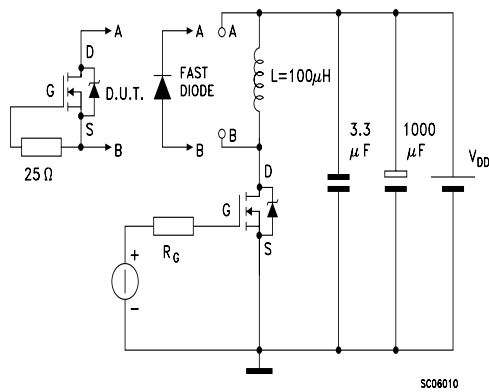


Figure 20. Test Circuit For Inductive Load Switching and Diode Recovery Times

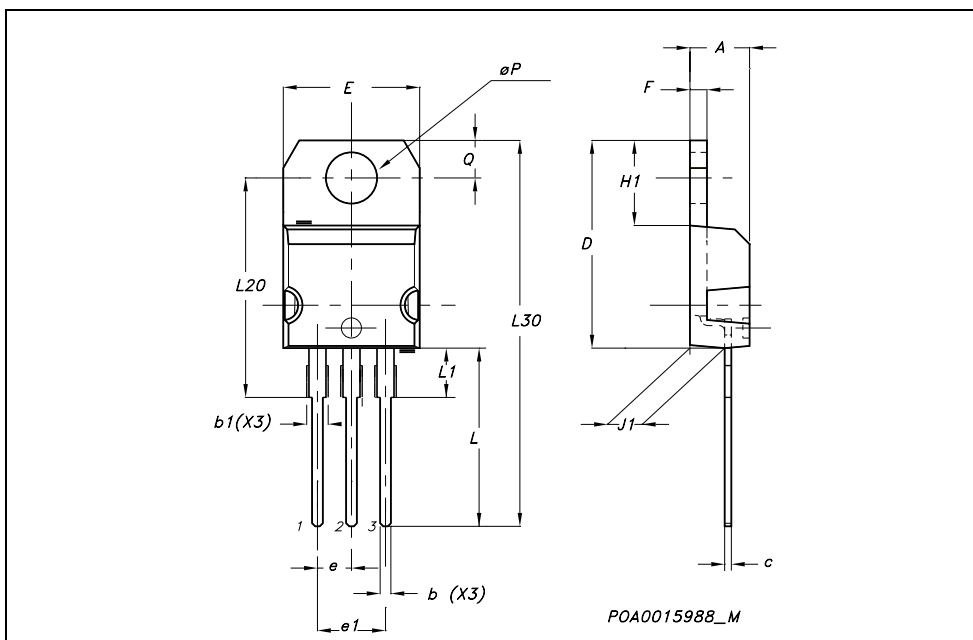


4 Package mechanical data

In order to meet environmental requirements, ST offers these devices in ECOPACK® packages. These packages have a Lead-free second level interconnect . The category of second level interconnect is marked on the package and on the inner box label, in compliance with JEDEC Standard JESD97. The maximum ratings related to soldering conditions are also marked on the inner box label. ECOPACK is an ST trademark. ECOPACK specifications are available at: www.st.com

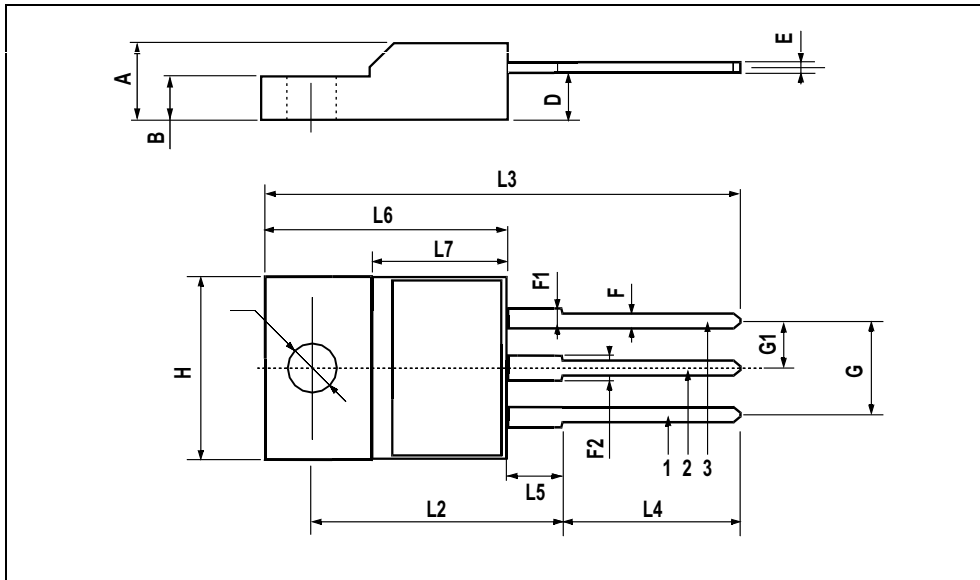
TO-220 MECHANICAL DATA

| DIM. | mm. | | | inch | | |
|------|-------|-------|-------|-------|-------|-------|
| | MIN. | TYP. | MAX. | MIN. | TYP. | MAX. |
| A | 4.40 | | 4.60 | 0.173 | | 0.181 |
| b | 0.61 | | 0.88 | 0.024 | | 0.034 |
| b1 | 1.15 | | 1.70 | 0.045 | | 0.066 |
| c | 0.49 | | 0.70 | 0.019 | | 0.027 |
| D | 15.25 | | 15.75 | 0.60 | | 0.620 |
| E | 10 | | 10.40 | 0.393 | | 0.409 |
| e | 2.40 | | 2.70 | 0.094 | | 0.106 |
| e1 | 4.95 | | 5.15 | 0.194 | | 0.202 |
| F | 1.23 | | 1.32 | 0.048 | | 0.052 |
| H1 | 6.20 | | 6.60 | 0.244 | | 0.256 |
| J1 | 2.40 | | 2.72 | 0.094 | | 0.107 |
| L | 13 | | 14 | 0.511 | | 0.551 |
| L1 | 3.50 | | 3.93 | 0.137 | | 0.154 |
| L20 | | 16.40 | | | 0.645 | |
| L30 | | 28.90 | | | 1.137 | |
| øP | 3.75 | | 3.85 | 0.147 | | 0.151 |
| Q | 2.65 | | 2.95 | 0.104 | | 0.116 |



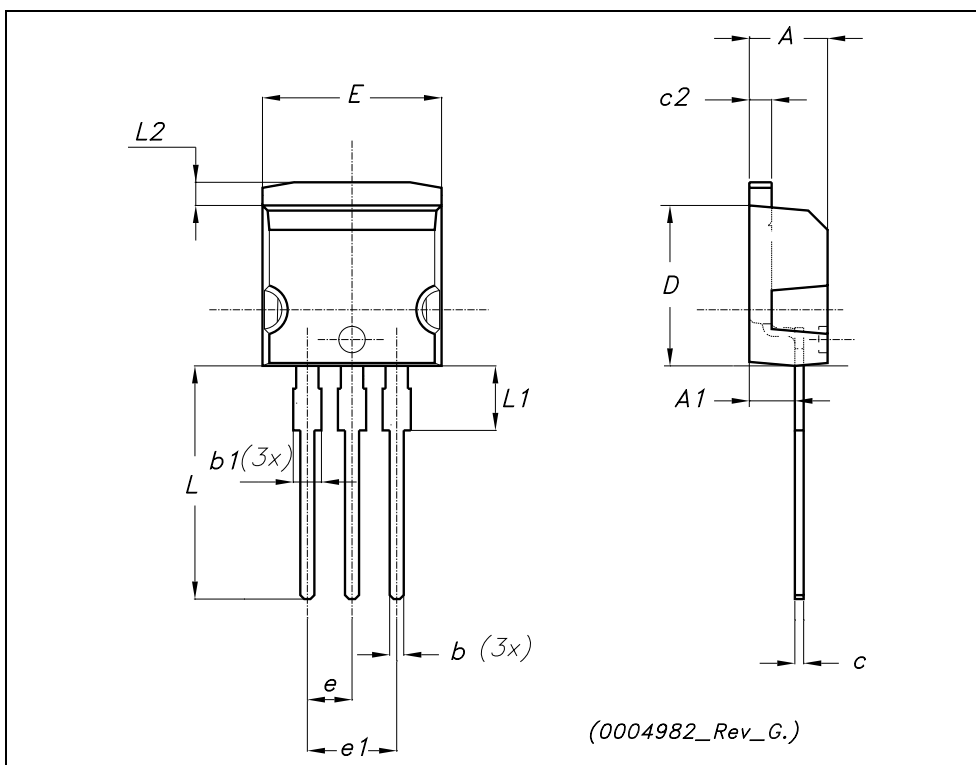
TO-220FP MECHANICAL DATA

| DIM. | mm. | | | inch | | |
|------|------|-----|------|-------|-------|-------|
| | MIN. | TYP | MAX. | MIN. | TYP. | MAX. |
| A | 4.4 | | 4.6 | 0.173 | | 0.181 |
| B | 2.5 | | 2.7 | 0.098 | | 0.106 |
| D | 2.5 | | 2.75 | 0.098 | | 0.108 |
| E | 0.45 | | 0.7 | 0.017 | | 0.027 |
| F | 0.75 | | 1 | 0.030 | | 0.039 |
| F1 | 1.15 | | 1.7 | 0.045 | | 0.067 |
| F2 | 1.15 | | 1.7 | 0.045 | | 0.067 |
| G | 4.95 | | 5.2 | 0.195 | | 0.204 |
| G1 | 2.4 | | 2.7 | 0.094 | | 0.106 |
| H | 10 | | 10.4 | 0.393 | | 0.409 |
| L2 | | 16 | | | 0.630 | |
| L3 | 28.6 | | 30.6 | 1.126 | | 1.204 |
| L4 | 9.8 | | 10.6 | .0385 | | 0.417 |
| L5 | 2.9 | | 3.6 | 0.114 | | 0.141 |
| L6 | 15.9 | | 16.4 | 0.626 | | 0.645 |
| L7 | 9 | | 9.3 | 0.354 | | 0.366 |
| Ø | 3 | | 3.2 | 0.118 | | 0.126 |



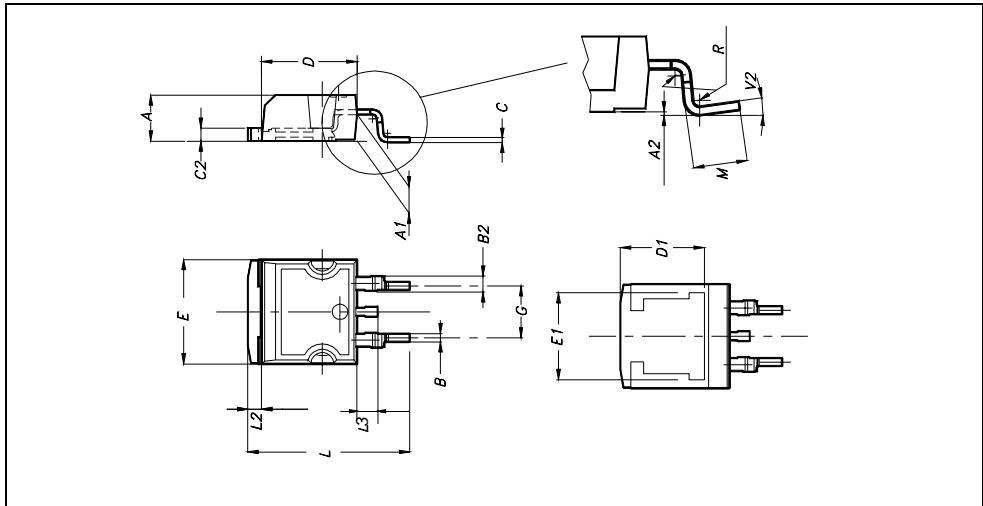
TO-262 (I²PAK) MECHANICAL DATA

| DIM. | mm. | | | inch | | |
|------|------|------|-------|-------|------|-------|
| | MIN. | TYP. | MAX. | MIN. | TYP. | MAX. |
| A | 4.40 | | 4.60 | 0.173 | | 0.181 |
| A1 | 2.40 | | 2.72 | 0.094 | | 0.107 |
| b | 0.61 | | 0.88 | 0.024 | | 0.034 |
| b1 | 1.14 | | 1.70 | 0.044 | | 0.066 |
| c | 0.49 | | 0.70 | 0.019 | | 0.027 |
| c2 | 1.23 | | 1.32 | 0.048 | | 0.052 |
| D | 8.95 | | 9.35 | 0.352 | | 0.368 |
| e | 2.40 | | 2.70 | 0.094 | | 0.106 |
| e1 | 4.95 | | 5.15 | 0.194 | | 0.202 |
| E | 10 | | 10.40 | 0.393 | | 0.410 |
| L | 13 | | 14 | 0.511 | | 0.551 |
| L1 | 3.50 | | 3.93 | 0.137 | | 0.154 |
| L2 | 1.27 | | 1.40 | 0.050 | | 0.055 |



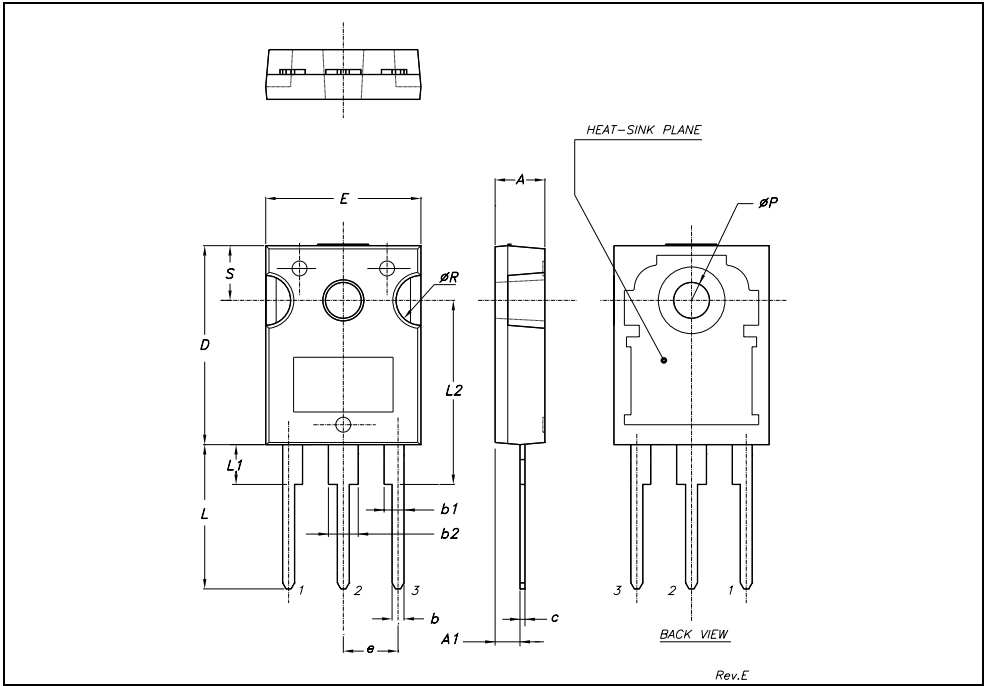
D²PAK MECHANICAL DATA

| DIM. | mm. | | | inch | | |
|------|------|-----|-------|-------|-------|-------|
| | MIN. | TYP | MAX. | MIN. | TYP. | MAX. |
| A | 4.4 | | 4.6 | 0.173 | | 0.181 |
| A1 | 2.49 | | 2.69 | 0.098 | | 0.106 |
| A2 | 0.03 | | 0.23 | 0.001 | | 0.009 |
| B | 0.7 | | 0.93 | 0.027 | | 0.036 |
| B2 | 1.14 | | 1.7 | 0.044 | | 0.067 |
| C | 0.45 | | 0.6 | 0.017 | | 0.023 |
| C2 | 1.23 | | 1.36 | 0.048 | | 0.053 |
| D | 8.95 | | 9.35 | 0.352 | | 0.368 |
| D1 | | 8 | | | 0.315 | |
| E | 10 | | 10.4 | 0.393 | | |
| E1 | | 8.5 | | | 0.334 | |
| G | 4.88 | | 5.28 | 0.192 | | 0.208 |
| L | 15 | | 15.85 | 0.590 | | 0.625 |
| L2 | 1.27 | | 1.4 | 0.050 | | 0.055 |
| L3 | 1.4 | | 1.75 | 0.055 | | 0.068 |
| M | 2.4 | | 3.2 | 0.094 | | 0.126 |
| R | | 0.4 | | | 0.015 | |
| V2 | 0° | | 4° | | | |



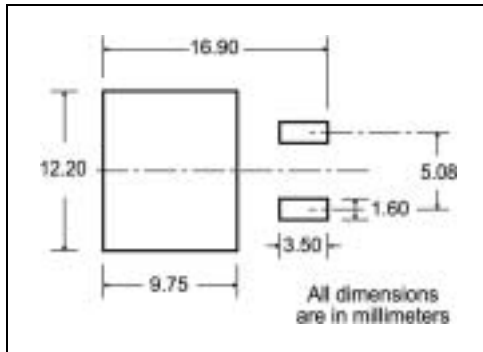
TO-247 MECHANICAL DATA

| DIM. | mm. | | | inch | | |
|------|-------|-------|-------|-------|-------|-------|
| | MIN. | TYP. | MAX. | MIN. | TYP. | MAX. |
| A | 4.85 | | 5.15 | 0.19 | | 0.20 |
| A1 | 2.20 | | 2.60 | 0.086 | | 0.102 |
| b | 1.0 | | 1.40 | 0.039 | | 0.055 |
| b1 | 2.0 | | 2.40 | 0.079 | | 0.094 |
| b2 | 3.0 | | 3.40 | 0.118 | | 0.134 |
| c | 0.40 | | 0.80 | 0.015 | | 0.03 |
| D | 19.85 | | 20.15 | 0.781 | | 0.793 |
| E | 15.45 | | 15.75 | 0.608 | | 0.620 |
| e | | 5.45 | | | 0.214 | |
| L | 14.20 | | 14.80 | 0.560 | | 0.582 |
| L1 | 3.70 | | 4.30 | 0.14 | | 0.17 |
| L2 | | 18.50 | | | 0.728 | |
| øP | 3.55 | | 3.65 | 0.140 | | 0.143 |
| øR | 4.50 | | 5.50 | 0.177 | | 0.216 |
| S | | 5.50 | | | 0.216 | |



5 Packing mechanical data

D²PAK FOOTPRINT



TAPE AND REEL SHIPMENT

40 mm min. Access hole at slot location

Full radius

Tape slot in core for tape start 25mm min. width

TAPE MECHANICAL DATA

| DIM. | mm | | inch | |
|------|------|------|--------|--------|
| | MIN. | MAX. | MIN. | MAX. |
| A0 | 10.5 | 10.7 | 0.413 | 0.421 |
| B0 | 15.7 | 15.9 | 0.618 | 0.626 |
| D | 1.5 | 1.6 | 0.059 | 0.063 |
| D1 | 1.59 | 1.61 | 0.062 | 0.063 |
| E | 1.65 | 1.85 | 0.065 | 0.073 |
| F | 11.4 | 11.6 | 0.449 | 0.456 |
| K0 | 4.8 | 5.0 | 0.189 | 0.197 |
| P0 | 3.9 | 4.1 | 0.153 | 0.161 |
| P1 | 11.9 | 12.1 | 0.468 | 0.476 |
| P2 | 1.9 | 2.1 | 0.075 | 0.082 |
| R | 50 | | 1.574 | |
| T | 0.25 | 0.35 | 0.0098 | 0.0137 |
| W | 23.7 | 24.3 | 0.933 | 0.956 |

REEL MECHANICAL DATA

| DIM. | mm | | inch | |
|------|------|------|-------|--------|
| | MIN. | MAX. | MIN. | MAX. |
| A | | 330 | | 12.992 |
| B | 1.5 | | 0.059 | |
| C | 12.8 | 13.2 | 0.504 | 0.520 |
| D | 20.2 | | 0.795 | |
| G | 24.4 | 26.4 | 0.960 | 1.039 |
| N | 100 | | 3.937 | |
| T | | 30.4 | | 1.197 |

| BASE QTY | BULK QTY |
|----------|----------|
| 1000 | 1000 |

TOP COVER TAPE

User Direction of Feed

FEED DIRECTION

Bending radius

10 pitches cumulative tolerance on tape + / - 0.2 mm

Center line of cavity

* on sales type

6 Revision History

| Date | Revision | Changes |
|-------------|----------|-----------------------------|
| 12-Sep-2005 | 2 | Inserted ecopack indication |

Information furnished is believed to be accurate and reliable. However, STMicroelectronics assumes no responsibility for the consequences of use of such information nor for any infringement of patents or other rights of third parties which may result from its use. No license is granted by implication or otherwise under any patent or patent rights of STMicroelectronics. Specifications mentioned in this publication are subject to change without notice. This publication supersedes and replaces all information previously supplied. STMicroelectronics products are not authorized for use as critical components in life support devices or systems without express written approval of STMicroelectronics.

The ST logo is a registered trademark of STMicroelectronics.
All other names are the property of their respective owners

© 2005 STMicroelectronics - All rights reserved

STMicroelectronics group of companies

Australia - Belgium - Brazil - Canada - China - Czech Republic - Finland - France - Germany - Hong Kong - India - Israel - Italy - Japan -
Malaysia - Malta - Morocco - Singapore - Spain - Sweden - Switzerland - United Kingdom - United States of America

www.st.com

