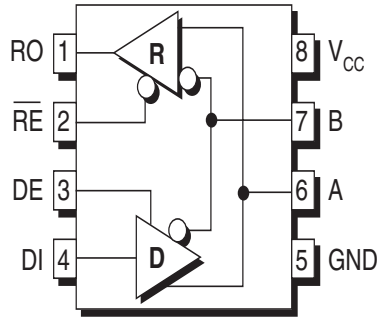




SP1481E/SP1485E

Enhanced Low Power Half-Duplex RS-485 Transceivers

- +5V Only
- Low Power BiCMOS
- Driver/Receiver Enable for Multi-Drop configurations
- Low Power Shutdown Mode (SP1481E)
- Enhanced ESD Specifications:
 - ±15KV Human Body Model
 - ±15KV IEC1000-4-2 Air Discharge
 - ±8KV IEC1000-4-2 Contact Discharge



Now Available in Lead Free Packaging

DESCRIPTION

The SP1481E and the SP1485E are a family of half-duplex transceivers that meet the specifications of RS-485 and RS-422 serial protocols with enhanced ESD performance. The ESD tolerance has been improved on these devices to over $\pm 15\text{KV}$ for both Human Body Model and IEC1000-4-2 Air Discharge Method. These devices are pin-to-pin compatible with Exar's SP481 and SP485 devices as well as popular industry standards. As with the original versions, the SP1481E and the SP1485E feature Exar's BiCMOS design allowing low power operation without sacrificing performance. The SP1481E and SP1485E meet the requirements of the RS-485 and RS-422 protocols up to 20Mbps under load. The SP1481E is equipped with a low power Shutdown mode.

ABSOLUTE MAXIMUM RATINGS

These are stress ratings only and functional operation of the device at these ratings or any other above those indicated in the operation sections of the specifications below is not implied. Exposure to absolute maximum rating conditions for extended periods of time may affect reliability.

V_{CC}+7V

Input Voltages

Logic.....-0.3V to ($V_{CC}+0.5V$)
 Drivers.....-0.3V to ($V_{CC}+0.5V$)
 Receivers..... $\pm 15V$

Output Voltages

Logic.....-0.3V to ($V_{CC}+0.5V$)
 Drivers..... $\pm 15V$
 Receivers.....-0.3V to ($V_{CC}+0.5V$)

Storage Temperature.....-65°C to +150°C

Power Dissipation per Package

8-pin NSOIC (derate 6.60mW/°C above +70°C).....550mW

ELECTRICAL CHARACTERISTICS

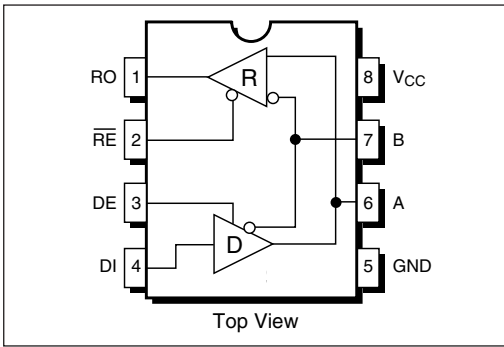
T_{MIN} to T_{MAX} and $V_{CC} = 5V \pm 5\%$ unless otherwise noted.

PARAMETERS	MIN.	TYP.	MAX.	UNITS	CONDITIONS
SP1481E/SP1485E DRIVER					
DC Characteristics					
Differential Output Voltage	3.5		V_{CC}	Volts	Unloaded; $R = \infty$; see Figure 1
Differential Output Voltage	2		V_{CC}	Volts	with load; $R = 50\Omega$; (RS-422); see Figure 1
Differential Output Voltage	1.5		V_{CC}	Volts	with load; $R = 27\Omega$; (RS-485); see Figure 1
Change in Magnitude of Driver Differential Output Voltage for Complimentary States			0.2	Volts	$R = 27\Omega$ or $R = 50\Omega$; see Figure 1
Driver Common-Mode Output Voltage			3	Volts	$R = 27\Omega$ or $R = 50\Omega$; see Figure 1
Input High Voltage	2.0			Volts	Applies to DE, DI, \overline{RE}
Input Low Voltage			0.8	Volts	Applies to DE, DI, \overline{RE}
Input Current			± 10	μA	Applies to DE, DI, \overline{RE}
Driver Short-Circuit Current			± 250	mA	$-7V \leq V_O \leq +12V$
$V_{OUT} = HIGH$			± 250	mA	$-7V \leq V_O \leq +12V$
$V_{OUT} = LOW$			± 250	mA	$-7V \leq V_O \leq +12V$
SP1481E/SP1485E DRIVER					
AC Characteristics					
Maximum Data Rate	20			Mbps	$\overline{RE} = 5V$, $DE = 5V$; $R_{DIFF} = 54\Omega$, $C_{L1} = C_{L2} = 100pF$
Driver Input to Output		20	30	ns	t_{PLH} ; $R_{DIFF} = 54\Omega$, $C_{L1} = C_{L2} = 100pF$; see Figures 3 and 5
Driver Input to Output (SP1485EMN ONLY)		20	40	ns	t_{PLH} ; $R_{DIFF} = 54\Omega$, $C_{L1} = C_{L2} = 100pF$; See Figures 3 and 5
Driver Input to Output		20	30	ns	t_{PHL} ; $R_{DIFF} = 54\Omega$, $C_{L1} = C_{L2} = 100pF$; see Figures 3 and 5
Driver Input to Output (SP1485EMN ONLY)		20	40	ns	t_{PHL} ; $R_{DIFF} = 54\Omega$, $C_{L1} = C_{L2} = 100pF$; see Figures 3 and 5
Driver Skew		3	5	ns	see Figures 3 and 5,
Driver Rise or Fall Time		8	20	ns	$t_{SKEW} = t_{PLH} - t_{PHL} $ From 10% to 90%; $R_{DIFF} = 54\Omega$, $C_{L1} = C_{L2} = 100pF$; see Figures 3 & 6
Driver Enable to Output High		40	70	ns	$C_L = 100pF$; see Figures 4 & 6; S_2 closed
Driver Enable to Output Low		40	70	ns	$C_L = 100pF$; see Figures 4 & 6; S_1 closed
Driver Disable Time from Low		40	70	ns	$C_L = 100pF$; see Figures 4 & 6; S_1 closed
Driver Disable Time from High		40	70	ns	$C_L = 100pF$; see Figures 4 & 6; S_2 closed

SPECIFICATIONS (continued)

T_{MIN} to T_{MAX} and $V_{CC} = 5V \pm 5\%$ unless otherwise noted

PARAMETERS	MIN.	TYP.	MAX.	UNITS	CONDITIONS
SP1481E/SP1485E RECEIVER					
DC Characteristics					
Differential Input Threshold	-0.2		+0.2	Volts	$-7V \leq V_{CM} \leq +12V$
Differential Input Threshold (SP1485EMN ONLY)	-0.4		+0.4	Volts	$-7V \leq V_{CM} \leq +12V$
Input Hysteresis		20		mV	$V_{CM} = 0V$
Output Voltage High	3.5			Volts	$I_O = -4mA, V_{ID} = +200mV$
Output Voltage Low			0.4	Volts	$I_O = +4mA, V_{ID} = -200mV$
Three-State (High Impedance)					
Output Current			± 1	μA	$0.4V \leq V_O \leq 2.4V; \overline{RE} = 5V$
Input Resistance	12	15		k Ω	$-7V \leq V_{CM} \leq +12V$
Input Current (A, B); $V_{IN} = 12V$			+1.0	mA	$DE = 0V, V_{CC} = 0V$ or $5.25V, V_{IN} = 12V$
Input Current (A, B); $V_{IN} = -7V$			-0.8	mA	$DE = 0V, V_{CC} = 0V$ or $5.25V, V_{IN} = -7V$
Short-Circuit Current	7		95	mA	$0V \leq V_O \leq V_{CC}$
SP1481E/SP1485E RECEIVER					
AC Characteristics					
Maximum Data Rate	20			Mbps	$\overline{RE} = 0V, DE = 0V$
Receiver Input to Output		25	70	ns	$t_{PLH}^1; R_{DIFF} = 54\Omega,$ $C_{L1} = C_{L2} = 100pF; \text{ Figures 3 \& 7}$
Receiver Input to Output		25	70	ns	$t_{PHL}^1; R_{DIFF} = 54\Omega,$ $C_{L1} = C_{L2} = 100pF; \text{ Figures 3 \& 7}$
Diff. Receiver Skew $ t_{PLH} - t_{PHL} $		5	10	ns	$R_{DIFF} = 54\Omega; C_{L1} = C_{L2} = 100pF;$ Figures 3 & 7
Receiver Enable to Output Low		45	70	ns	$C_{RL} = 15pF; \text{ Figures 2 \& 8; } S_1 \text{ closed}$
Receiver Enable to Output High		45	70	ns	$C_{RL} = 15pF; \text{ Figures 2 \& 8; } S_2 \text{ closed}$
Receiver Disable from Low		45	70	ns	$C_{RL} = 15pF; \text{ Figures 2 \& 8; } S_1 \text{ closed}$
Receiver Disable from High		45	70	ns	$C_{RL} = 15pF; \text{ Figures 2 \& 8; } S_2 \text{ closed}$
SP1481E					
Shutdown Timing					
Time to Shutdown	50	200	600	ns	$\overline{RE} = 5V, DE = 0V$
Driver Enable from Shutdown to Output High		40	100	ns	$C_L = 100pF; \text{ See Figures 4 \& 6; } S_2 \text{ closed}$
Driver Enable from Shutdown to Output Low		40	100	ns	$C_L = 100pF; \text{ See Figures 4 \& 6; } S_1 \text{ closed}$
Receiver Enable from Shutdown to Output High		300	1000	ns	$C_L = 15pF; \text{ See Figures 2 \& 8; } S_2 \text{ closed}$
Receiver Enable from Shutdown to Output Low		300	1000	ns	$C_L = 15pF; \text{ See Figures 2 \& 8; } S_1 \text{ closed}$
POWER REQUIREMENTS					
Supply Voltage	+4.75		+5.25	Volts	
Supply Current					
SP1481E/1485E					
No Load		900		μA	$\overline{RE}, DI = 0V$ or $V_{CC}; DE = V_{CC}$
		600		μA	$RE = 0V, DI = 0V$ or $5V; DE = 0V$
SP1481E					
Shutdown Mode			10	μA	$DE = 0V, \overline{RE} = V_{CC}$
ENVIRONMENTAL AND MECHANICAL					
Operating Temperature					
Commercial (C)	0		+70	$^{\circ}C$	
Industrial (E)	-40		+85	$^{\circ}C$	
(M)	-40		+125	$^{\circ}C$	
Storage Temperature	-65		+150	$^{\circ}C$	
Package					
NSOIC (N)					



SP1481E and SP1485E
Pinout (Top View)

PIN FUNCTION

- Pin 1 – RO – Receiver Output.
- Pin 2 – \overline{RE} – Receiver Output Enable Active LOW.
- Pin 3 – DE – Driver Output Enable Active HIGH.
- Pin 4 – DI – Driver Input.
- Pin 5 – GND – Ground Connection.
- Pin 6 – A – Driver Output/Receiver Input Non-inverting.
- Pin 7 – B – Driver Output/Receiver Input Inverting.
- Pin 8 – Vcc – Positive Supply $4.75V < V_{cc} < 5.25V$.

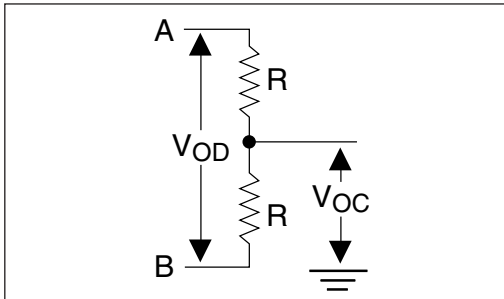


Figure 1. RS-485 Driver DC Test Load Circuit

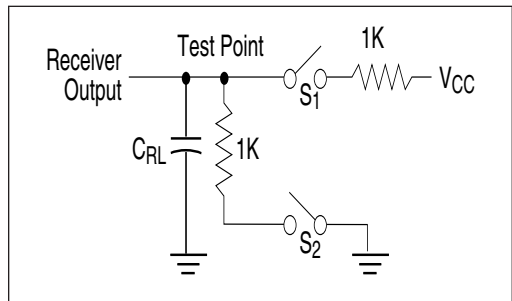


Figure 2. Receiver Timing Test Load Circuit

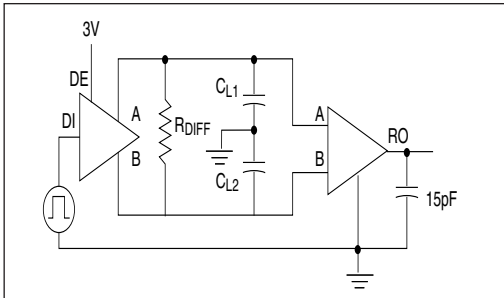


Figure 3. RS-485 Driver/Receiver Timing Test Circuit

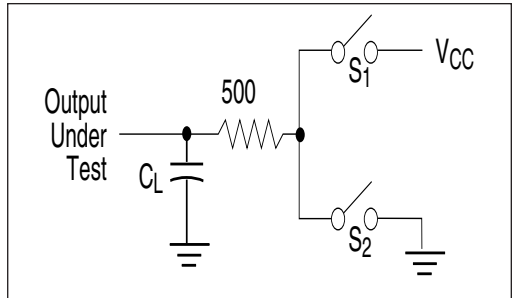


Figure 4. RS-485 Driver Timing Test Load #2 Circuit

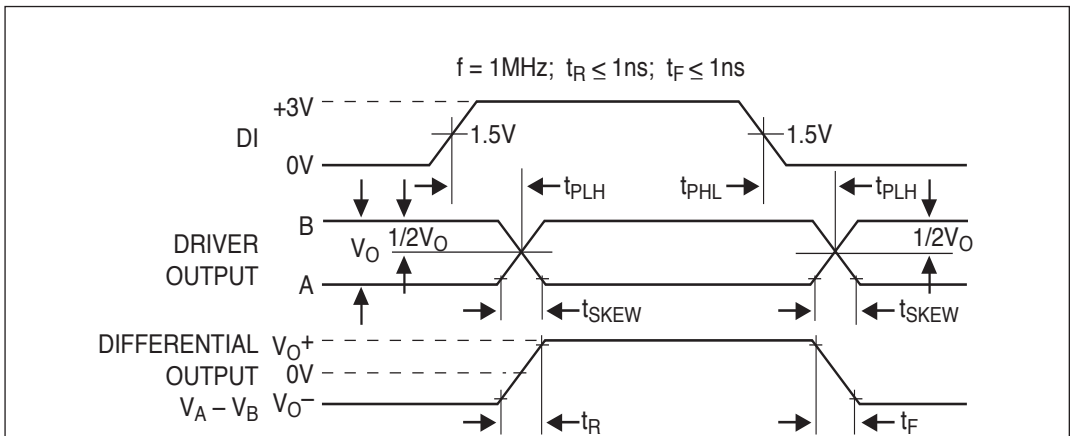


Figure 5. Driver Propagation Delays

INPUTS				OUTPUTS	
\overline{RE}	DE	DI	LINE CONDITION	B	A
X	1	1	No Fault	0	1
X	1	0	No Fault	1	0
X	0	X	X	Z	Z
X	1	X	Fault	Z	Z

Table 1. Transmit Function Truth Table

INPUTS		OUTPUTS	
\overline{RE}	DE	A - B	R
0	0	+0.2V	1
0	0	-0.2V	0
0	0	Inputs Open	1
1	0	X	Z

Table 2. Receive Function Truth Table

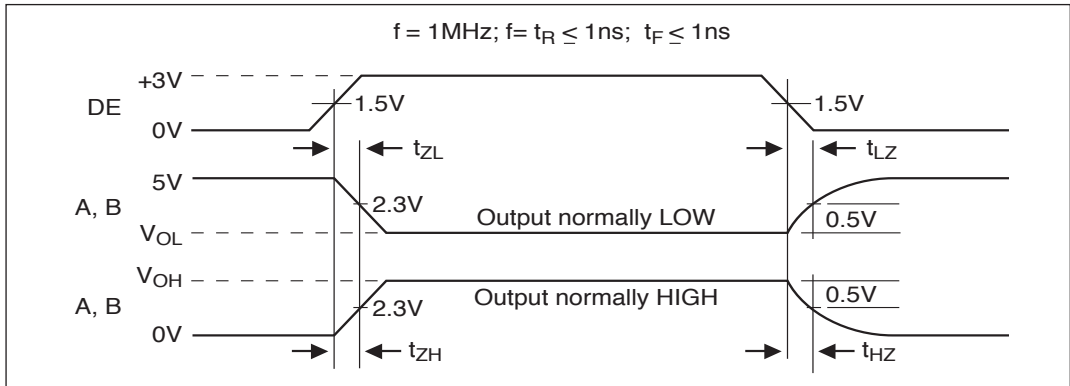


Figure 6. Driver Enable and Disable Times

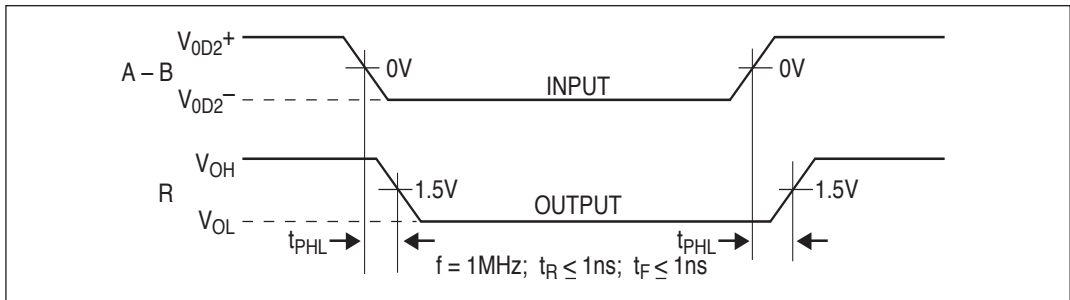


Figure 7. Receiver Propagation Delays

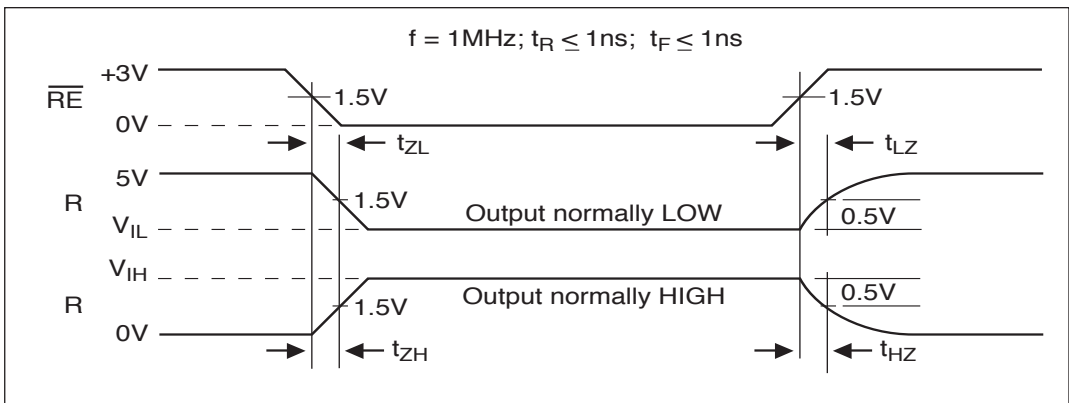


Figure 8. Receiver Enable and Disable Times

DESCRIPTION

The SP1481E and SP1485E are half-duplex differential transceivers that meet the requirements of RS-485 and RS-422. Fabricated with a Exar proprietary BiCMOS process, these products require a fraction of the power of older bipolar designs.

The RS-485 standard is ideal for multi-drop applications and for long-distance interfaces. RS-485 allows up to 32 drivers and 32 receivers to be connected to a data bus, making it an ideal choice for multi-drop applications. Since the cabling can be as long as 4,000 feet, RS-485 transceivers are equipped with a wide (-7V to +12V) common mode range to accommodate ground potential differences. Because RS-485 is a differential interface, data is virtually immune to noise in the transmission line.

Drivers

The driver outputs of the SP1481E and SP1485E are differential outputs meeting the RS-485 and RS-422 standards. The typical voltage output swing with no load will be 0 Volts to +5 Volts. With worst case loading of 54Ω across the differential outputs, the drivers can maintain greater than 1.5V voltage levels. The drivers of the SP1481E, and SP1485E have an enable control line which is active HIGH. A logic HIGH on DE (pin 3) will enable the differential driver outputs. A logic LOW on DE (pin 3) will tri-state the driver outputs.

The transmitters of the SP1481E and SP1485E will operate up to at least 20Mbps.

Receivers

The SP1481E and SP1485E receivers have differential inputs with an input sensitivity as low as ±200mV. Input impedance of the receivers is typically 15kΩ (12kΩ minimum). A wide common mode range of -7V to +12V allows for large ground potential differences between systems. The receivers of the SP1481E and SP1485E have a tri-state enable control pin.

A logic LOW on \overline{RE} (pin 2) will enable the receiver, a logic HIGH on \overline{RE} (pin 2) will disable the receiver.

The receiver for the SP1481E and SP1485E will operate up to at least 20Mbps. The receiver for each of the two devices is equipped with the fail-safe feature. Fail-safe guarantees that the receiver output will be in a HIGH state when the input is left unconnected.

Shutdown Mode SP1481E

The SP1481E is equipped with a Shutdown mode. To enable the Shutdown state, both the driver and receiver must be disabled simultaneously.

A logic LOW on DE (pin 3) and a logic HIGH on \overline{RE} (pin 2) will put the SP1481E into Shutdown mode. In Shutdown, supply current will drop to typically 1μA.

ESD TOLERANCE

The SP1481E Family incorporates ruggedized ESD cells on all driver output and receiver input pins. The ESD structure is improved over our previous family for more rugged applications and environments sensitive to electro-static discharges and associated transients. The improved ESD tolerance is at least ±15kV without damage nor latch-up.

There are different methods of ESD testing applied:

- a) MIL-STD-883, Method 3015.7
- b) IEC1000-4-2 Air-Discharge
- c) IEC1000-4-2 Direct Contact

The Human Body Model has been the generally accepted ESD testing method for semiconductors. This method is also specified in MIL-STD-883, Method 3015.7 for ESD testing. The premise of this ESD test is to simulate the human body's potential to store electro-static energy and discharge it to an integrated circuit. The simulation is performed by using a test model as shown in Figure 7. This method will test the IC's capability to withstand an ESD transient during normal handling such as in manufacturing areas where the ICs tend to be handled frequently.

The IEC-1000-4-2, formerly IEC801-2, is generally used for testing ESD on equipment and systems. For system manufacturers, they must guarantee a certain amount of ESD protection since the system itself is exposed to the outside environment and human presence. The premise with IEC1000-4-2 is that the system is required to withstand an amount of static electricity when ESD is applied to points and surfaces of the equipment that are accessible to personnel during normal usage. The transceiver IC receives most of the ESD current when the ESD source is applied to the connector pins. The test circuit for IEC1000-4-2 is shown on Figure 8.

There are two methods within IEC1000-4-2, the Air Discharge method and the Contact Discharge method.

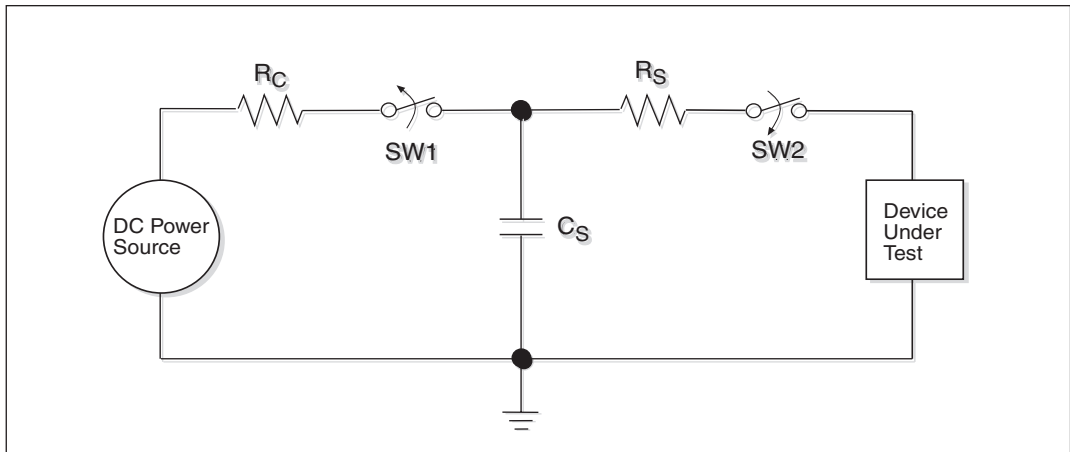


Figure 7. ESD Test Circuit for Human Body Model

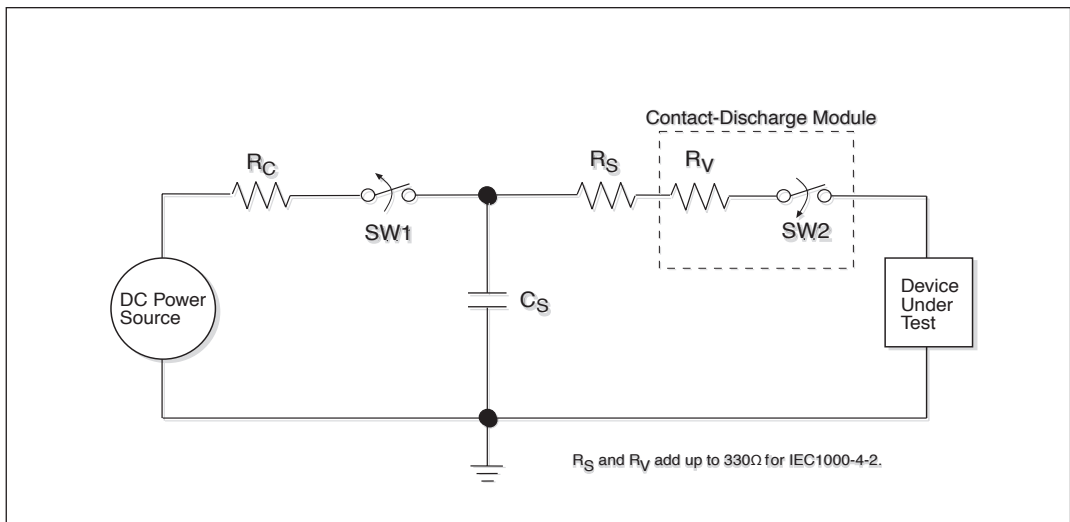


Figure 8. ESD Test Circuit for IEC1000-4-2

With the Air Discharge Method, an ESD voltage is applied to the equipment under test (EUT) through air. This simulates an electrically charged person ready to connect a cable onto the rear of the system only to find an unpleasant zap just before the person touches the back panel. The high energy potential on the person discharges through an arcing path to the rear panel of the system before he or she even touches the system. This energy, whether discharged directly or through air, is predominantly a function of the discharge current rather than the discharge voltage. Variables with an air discharge such as approach speed of the object carrying the ESD potential to the system and humidity will tend to change the discharge current. For example, the rise time of the discharge current varies with the approach speed.

The Contact Discharge Method applies the ESD current directly to the EUT. This method was devised to reduce the unpredictability of the ESD arc. The discharge current rise time is constant since the energy is directly transferred without the air-gap arc. In situations such as hand held systems, the ESD charge can be directly discharged to the equipment from a person already holding the equipment. The current is transferred on to the keypad or the serial port of the equipment directly and then travels through the PCB and finally to the IC.

The circuit model in Figures 7 and 8 represent the typical ESD testing circuit used for all three methods. The C_s is initially charged with the DC power supply when the first

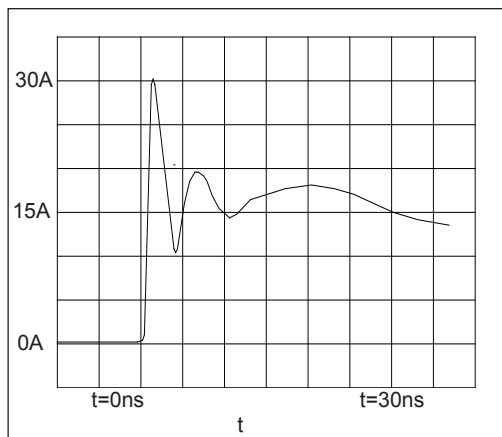


Figure 9. ESD Test Waveform for IEC1000-4-2

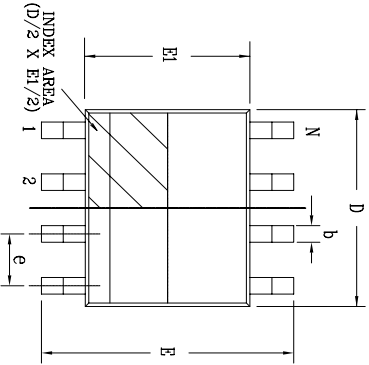
switch (SW1) is on. Now that the capacitor is charged, the second switch (SW2) is on while SW1 switches off. The voltage stored in the capacitor is then applied through R_s , the current limiting resistor, onto the device under test (DUT). In ESD tests, the SW2 switch is pulsed so that the device under test receives a duration of voltage.

For the Human Body Model, the current limiting resistor (R_s) and the source capacitor (C_s) are 1.5k Ω and 100pF, respectively. For IEC-1000-4-2, the current limiting resistor (R_s) and the source capacitor (C_s) are 330 Ω and 150pF, respectively.

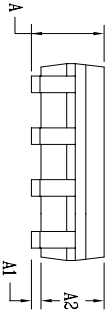
The higher C_s value and lower R_s value in the IEC1000-4-2 model are more stringent than the Human Body Model. The larger storage capacitor injects a higher voltage to the test point when SW2 is switched on. The lower current limiting resistor increases the current charge onto the test point.

SP1481E, SP1485E FAMILY	HUMAN BODY MODEL	IEC1000-4-2		
		Air Discharge	Direct Contact	Level
Driver Outputs	$\pm 15\text{kV}$	$\pm 15\text{kV}$	$\pm 8\text{kV}$	4
Receiver Inputs	$\pm 15\text{kV}$	$\pm 15\text{kV}$	$\pm 8\text{kV}$	4

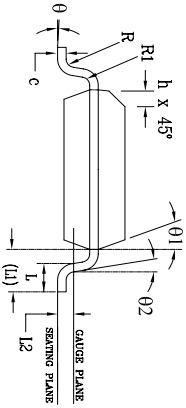
REVISION HISTORY			
REV	DESCRIPTION	DATE	APP'D
A	DRAWING ORIGINATOR	09/16/05	JL
B	DRAWING FORMAT MODIFICATION	07/19/06	JL
C	CHANGE DRAWING LOGO AND COMPANY NAME	11/16/07	JL



Top View




Side View



Front View

8 Pin SOICN JEDEC MS-012 Variation AA		DIMENSIONS IN MM (Control Unit)		DIMENSIONS IN INCH (Reference Unit)		
SYMBOLS	MIN	NOM	MAX	MIN	NOM	MAX
A	1.35	—	1.75	0.053	—	0.069
A1	0.10	—	0.25	0.004	—	0.010
A2	1.25	—	1.65	0.049	—	0.065
b	0.31	—	0.51	0.012	—	0.020
c	0.17	—	0.25	0.007	—	0.010
E	6.00	BSC	—	0.236	BSC	—
E1	3.90	BSC	—	0.154	BSC	—
e	1.27	BSC	—	0.050	BSC	—
h	0.25	—	0.50	0.010	—	0.020
L	0.40	—	1.27	0.016	—	0.050
L1	—	1.04	REF	—	0.041	REF
L2	—	0.25	BSC	—	0.010	BSC
R	0.07	—	—	0.003	—	—
R1	0.07	—	—	0.003	—	—
θ	0°	—	8°	0°	—	8°
θ 1	5°	—	15°	5°	—	15°
θ 2	0°	—	—	0°	—	—
D	4.90	BSC	—	0.193	BSC	—
N	8	—	—	8	—	—

		EXAR CORPORATION <small>Advanced Systems</small>	
Packaging Approval:		Drawing No:	
8 PIN SOICN PACKAGE OUTLINE		8-PIN SOICN	
By: JL	Date: 11/16/07	Revision: C	Sheet: 1 OF 1

ORDERING INFORMATION

Model	Temperature Range	Package
SP1481ECN-L.....	0°C to +70°C	8-pin Narrow SOIC
SP1481ECN-L/TR.....	0°C to +70°C	8-pin Narrow SOIC
SP1481EEN-L.....	-40°C to +85°C	8-pin Narrow SOIC
SP1481EEN-L/TR.....	-40°C to +85°C	8-pin Narrow SOIC
SP1485ECN-L.....	0°C to +70°C	8-pin Narrow SOIC
SP1485ECN-L/TR.....	0°C to +70°C	8-pin Narrow SOIC
SP1485EEN-L.....	-40°C to +85°C.....	8-pin Narrow SOIC
SP1485EEN-L/TR.....	-40°C to +85°C.....	8-pin Narrow SOIC
SP1485EMN-L.....	-40°C to +125°C.....	8-pin Narrow SOIC

DATE	REVISION	DESCRIPTION
03/08/07	J	Legacy Sipex Datasheet
06/16/09	1.0.0	Convert to Exar format, update ordering information and change revision to 1.0.0

Notice

EXAR Corporation reserves the right to make changes to any products contained in this publication in order to improve design, performance or reliability. EXAR Corporation assumes no representation that the circuits are free of patent infringement. Charts and schedules contained herein are only for illustration purposes and may vary depending upon a user's specific application. While the information in this publication has been carefully checked; no responsibility, however, is assumed for inaccuracies.

EXAR Corporation does not recommend the use of any of its products in life support applications where the failure or malfunction of the product can reasonably be expected to cause failure of the life support system or to significantly affect its safety or effectiveness. Products are not authorized for use in such applications unless EXAR Corporation receives, in writing, assurances to its satisfaction that: (a) the risk of injury or damage has been minimized ; (b) the user assumes all such risks; (c) potential liability of EXAR Corporation is adequately protected under the circumstances.

Copyright 2009 EXAR Corporation

Datasheet June 2009

Send your Interface technical inquiry with technical details to: uarttechsupport@exar.com

Reproduction, in part or whole, without the prior written consent of EXAR Corporation is prohibited.