



# SYNCHRONOUS 4-BIT UP/DOWN COUNTER

The SN54/74LS669 is a synchronous 4-bit up/down counter. The LS669 is a 4-bit binary counter. For high speed counting applications, this presettable counter features an internal carry lookahead for cascading purposes. By clocking all flip-flops simultaneously so the outputs change coincident with each other (when instructed to do so by the count enable inputs and internal gating) synchronous operation is provided. This helps to eliminate output counting spikes, normally associated with asynchronous (ripple-clock) counters. The four master-slave flip-flops are triggered on the rising (positive-going) edge of the clock waveform by a buffered clock input.

Circuitry of the load inputs allows loading with the carry-enable output of the cascaded counters. Because loading is synchronous, disabling of the counter by setting up a low level on the load input will cause the outputs to agree with the data inputs after the next clock pulse.

Cascading counters for N-bit synchronous applications are provided by the carry look-ahead circuitry, without additional gating. Two count-enable inputs and a carry output help accomplish this function. Count-enable inputs (P and T) must both be low to count. The level of the up-down input determines the direction of the count. When the input level is low, the counter counts down, and when the input is high, the count is up. Input T is fed forward to enable the carry output. The carry output will now produce a low level output pulse with a duration  $\approx$  equal to the high portion of the  $Q_A$  output when counting up and when counting down  $\approx$  equal to the low portion of the  $Q_A$  output. This low level carry pulse may be utilized to enable successive cascaded stages. Regardless of the level of the clock input, transitions at the P or T inputs are allowed. By diode-clamping all inputs, transmission line effects are minimized which allows simplification of system design.

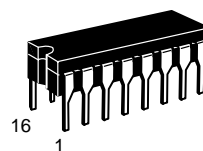
Any changes at control inputs (ENABLE  $\bar{P}$ , ENABLE  $\bar{T}$ , LOAD, UP/DOWN) will have no effect on the operating mode until clocking occurs because of the fully independent clock circuits. Whether enabled, disabled, loading or counting, the function of the counter is dictated entirely by the conditions meeting the stable setup and hold times.

- Programmable Look-Ahead Up/Down Binary/Decade Counters
- Fully Synchronous Operation for Counting and Programming
- Internal Look-Ahead for Fast Counting
- Carry Output for n-Bit Cascading
- Fully Independent Clock Circuit
- Buffered Outputs

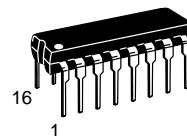
## SN54/74LS669

### SYNCHRONOUS 4-BIT UP/DOWN COUNTER

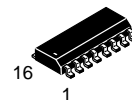
#### LOW POWER SCHOTTKY



**J SUFFIX**  
CERAMIC  
CASE 620-09



**N SUFFIX**  
PLASTIC  
CASE 648-08

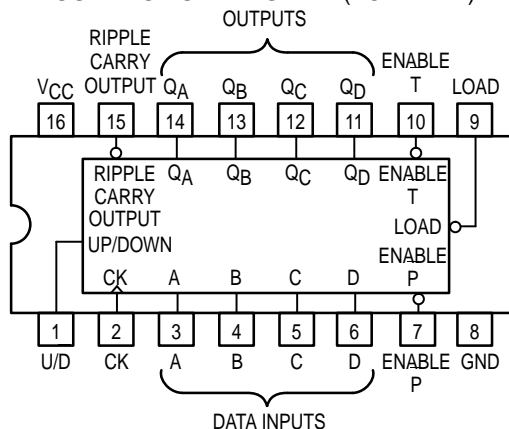


**D SUFFIX**  
SOIC  
CASE 751B-03

#### ORDERING INFORMATION

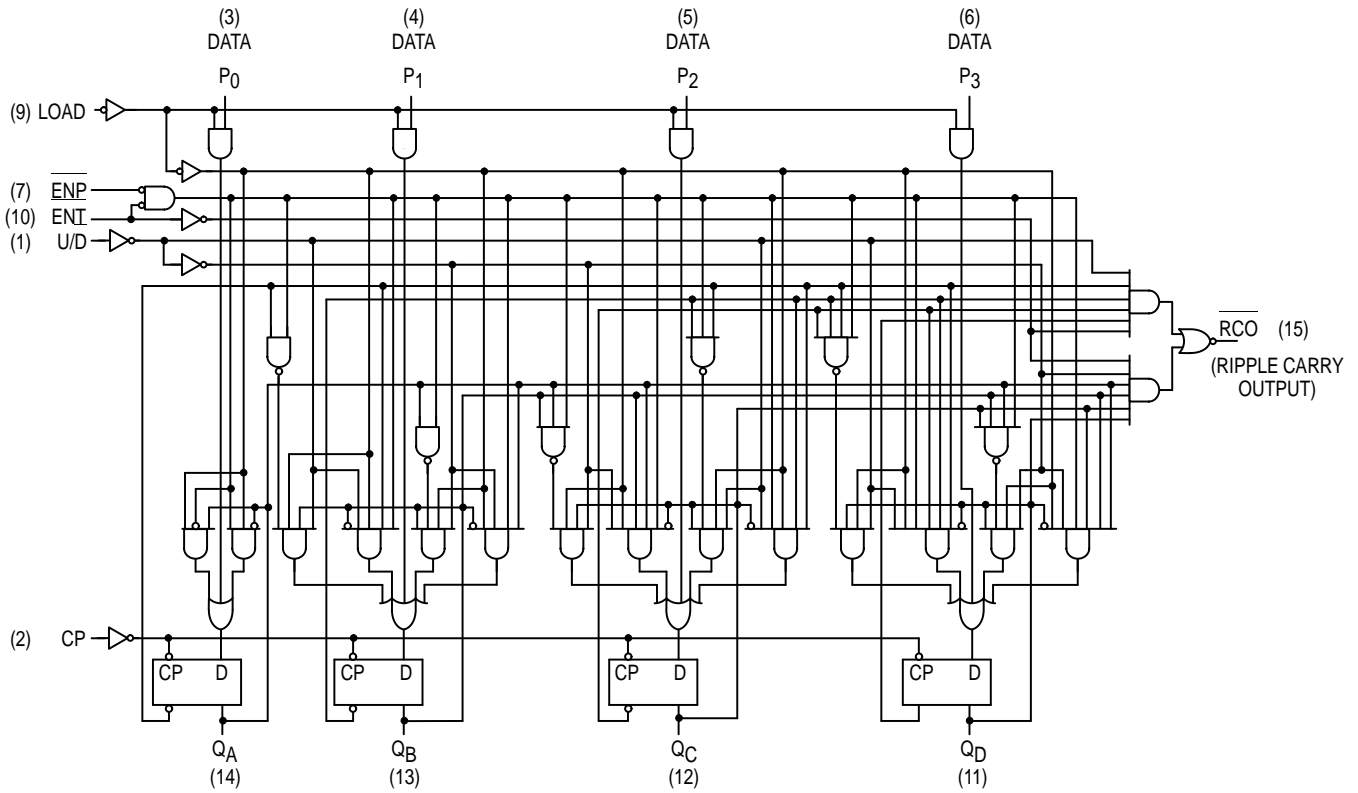
|            |         |
|------------|---------|
| SN54LSXXXJ | Ceramic |
| SN74LSXXXN | Plastic |
| SN74LSXXXD | SOIC    |

#### CONNECTION DIAGRAM (TOP VIEW)



# SN54/74LS669

## LOGIC DIAGRAM



### GUARANTEED OPERATING RANGES

| Symbol          | Parameter                           |        | Min  | Typ | Max  | Unit |
|-----------------|-------------------------------------|--------|------|-----|------|------|
| V <sub>CC</sub> | Supply Voltage                      | 54     | 4.5  | 5.0 | 5.5  | V    |
|                 |                                     | 74     | 4.75 | 5.0 | 5.25 |      |
| T <sub>A</sub>  | Operating Ambient Temperature Range | 54     | -55  | 25  | 125  | °C   |
|                 |                                     | 74     | 0    | 25  | 70   |      |
| I <sub>OH</sub> | Output Current — High               | 54, 74 |      |     | -0.4 | mA   |
| I <sub>OL</sub> | Output Current — Low                | 54     |      |     | 4.0  | mA   |
|                 |                                     | 74     |      |     | 8.0  |      |

# SN54/74LS669

## DC CHARACTERISTICS OVER OPERATING TEMPERATURE RANGE (unless otherwise specified)

| Symbol          | Parameter                      | Limits   |       |      | Unit | Test Conditions  |   |
|-----------------|--------------------------------|----------|-------|------|------|--|---|
|                 |                                | Min      | Typ   | Max  |      |  |   |
| V <sub>IH</sub> | Input HIGH Voltage             | 2.0      |       |      | V    | Guaranteed Input HIGH Voltage for All Inputs   |   |
| V <sub>IL</sub> | Input LOW Voltage              | 54       |       | 0.7  | V    | Guaranteed Input LOW Voltage for All Inputs  |   |
|                 |                                | 74       |       | 0.8  |      |  |   |
| V <sub>IK</sub> | Input Clamp Diode Voltage      |          | -0.65 | -1.5 | V    | V <sub>CC</sub> = MIN, I <sub>IN</sub> = -18 mA  |   |
| V <sub>OH</sub> | Output HIGH Voltage            | 54       | 2.5   | 3.5  | V    | V <sub>CC</sub> = MIN, I <sub>OH</sub> = MAX, V <sub>IN</sub> = V <sub>IH</sub> or V <sub>IL</sub> per Truth Table |   |
|                 |                                | 74       | 2.7   | 3.5  | V    |  |   |
| V <sub>OL</sub> | Output LOW Voltage             | 54, 74   |       | 0.25 | 0.4  | V  | I <sub>OL</sub> = 4.0 mA<br>V <sub>CC</sub> = V <sub>CC</sub> MIN, V <sub>IN</sub> = V <sub>IL</sub> or V <sub>IH</sub> per Truth Table |
|                 |                                | 74       |       | 0.35 | 0.5  | V  |   |
| I <sub>IH</sub> | Input HIGH Current             | Others   |       |      | 20   | μA   | V <sub>CC</sub> = MAX, V <sub>IN</sub> = 2.7 V  |
|                 |                                | Enable T |       |      | 40   | μA   |   |
|                 |                                | Others   |       |      | 0.1  | mA   | V <sub>CC</sub> = MAX, V <sub>IN</sub> = 7.0 V  |
|                 |                                | Enable T |       |      | 0.2  | mA   |   |
| I <sub>IL</sub> | Input LOW Current              | Others   |       |      | -0.4 | mA   | V <sub>CC</sub> = MAX, V <sub>IN</sub> = 0.4 V  |
|                 |                                | Enable T |       |      | -0.8 | mA   |   |
| I <sub>OS</sub> | Short Circuit Current (Note 1) |          | -20   |      | -100 | mA   | V <sub>CC</sub> = MAX   |
| I <sub>CC</sub> | Power Supply Current           |          |       |      | 34   | mA   | V <sub>CC</sub> = MAX   |

Note 1: Not more than one output should be shorted at a time, nor for more than 1 second.

## AC CHARACTERISTICS (T<sub>A</sub> = 25°C, V<sub>CC</sub> = 5.0 V)

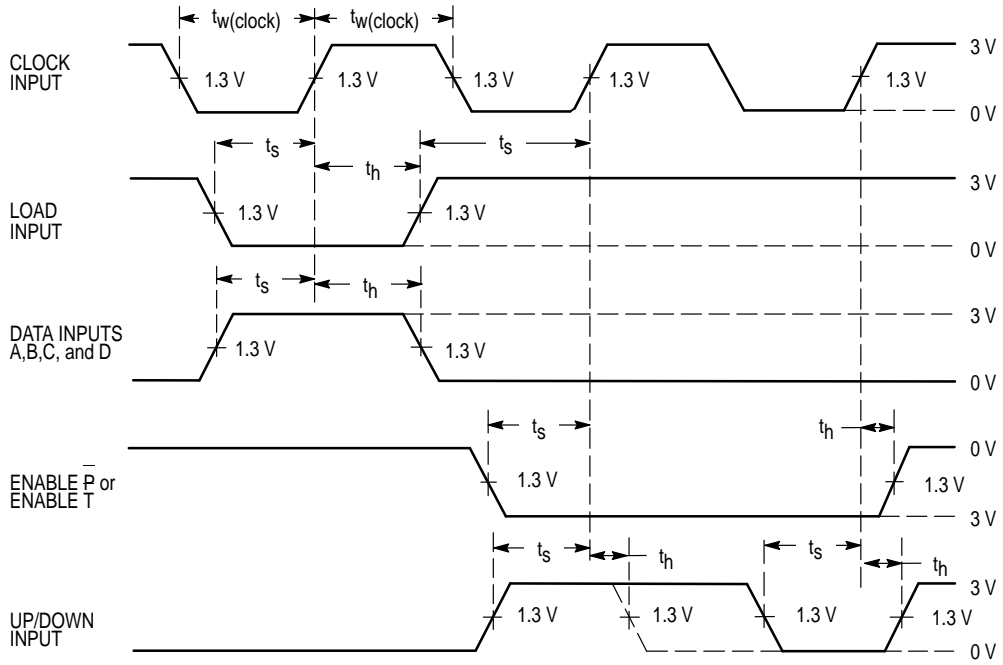
| Symbol                               | Parameter  | Limits |          |          | Unit | Test Conditions        |
|--------------------------------------|--|--------|----------|----------|------|------------------------|
|                                      |  | Min    | Typ      | Max      |      |                        |
| f <sub>MAX</sub>                     | Maximum Clock Frequency                            | 25     | 32       |          | MHz  | C <sub>L</sub> = 15 pF |
| t <sub>PLH</sub><br>t <sub>PHL</sub> | Propagation Delay,<br>Clock to RCO                 |        | 26<br>40 | 40<br>60 | ns   |                        |
| t <sub>PLH</sub><br>t <sub>PHL</sub> | Propagation Delay,<br>Clock to Any Q               |        | 18<br>18 | 27<br>27 | ns   |                        |
| t <sub>PLH</sub><br>t <sub>PHL</sub> | Enable to $\overline{\text{RCO}}$                  |        | 11<br>29 | 17<br>45 | ns   |                        |
| t <sub>PLH</sub><br>t <sub>PHL</sub> | $\overline{\text{U/D}}$ to $\overline{\text{RCO}}$ |        | 22<br>26 | 35<br>40 | ns   |                        |

## AC SETUP REQUIREMENTS (T<sub>A</sub> = 25°C)

| Symbol         | Parameter            | Limits |     |     | Unit | Test Conditions         |
|----------------|----------------------|--------|-----|-----|------|-------------------------|
|                |                      | Min    | Typ | Max |      |                         |
| t <sub>W</sub> | Clock Pulse Width    | 20     |     |     | ns   | V <sub>CC</sub> = 5.0 V |
| t <sub>S</sub> | Data Setup Time      | 20     |     |     | ns   |                         |
| t <sub>S</sub> | Enable Setup Time    | 35     |     |     | ns   |                         |
| t <sub>S</sub> | Load Setup Time      | 25     |     |     | ns   |                         |
| t <sub>S</sub> | U/D Setup Time       | 30     |     |     | ns   |                         |
| t <sub>H</sub> | Hold Time, Any Input | 0      |     |     | ns   |                         |

# SN54/74LS669

## PARAMETER MEASUREMENT INFORMATION



## VOLTAGE WAVEFORMS

