

DATA SHEET

SMV1231–SMV1237: Hyperabrupt Tuning Varactors

Features

- High capacitance ratio
- Low series resistance for low phase noise
- Multiple packages SOT-23, SOD-323, SC-70 and SC-79
- Designed for high volume commercial applications
- Full characterization with SPICE models



Description

The SMV1231–SMV1237 series of silicon hyperabrupt junction varactor diodes is designed for use in VCOs with low tuning voltage operation. The low resistance of these varactors makes them appropriate for high Q resonators in wireless system VCOs to frequencies beyond 2.5 GHz. The SMV1231–SMV1237 series is fully characterized for capacitance and resistance over temperature. SPICE model is provided.

NEW Skyworks offers lead (Pb)-free “environmentally friendly” packaging that is RoHS compliant (European Parliament for the Restriction of Hazardous Substances).



Absolute Maximum Ratings

Characteristic	Value
Reverse voltage (V_R)	15 V
Forward current (I_F)	20 mA
Power dissipation (P_D)	250 mW
Storage temperature (T_{ST})	-55 °C to +150 °C
Operating temperature (T_{OP})	-55 °C to +125 °C
ESD human body model	Class 1B

Performance is guaranteed only under the conditions listed in the specifications table and is not guaranteed under the full range(s) described by the Absolute Maximum specifications. Exceeding any of the absolute maximum/minimum specifications may result in permanent damage to the device and will void the warranty.

CAUTION: Although this device is designed to be as robust as possible, Electrostatic Discharge (ESD) can damage this device. This device must be protected at all times from ESD. Static charges may easily produce potentials of several kilovolts on the human body or equipment, which can discharge without detection. Industry-standard ESD precautions must be employed at all times.

Single	Single	Single	Common Anode	Common Cathode	Common Anode	Common Cathode
SC-79	SOD-323	SOT-23	SOT-23	SOT-23	SC-70	SC-70
SMV1231-079 Marking: Cathode	SMV1231-011 Marking: JA			SMV1231-004 Marking: JA3		SMV1231-074 Marking: JA3
						SMV1231-074LF Marking: KA3
SMV1232-079 Marking: Cathode	SMV1232-011 Marking: CC			SMV1232-004		SMV1232-074 Marking: CC3
						SMV1232-074LF Marking: DP3
SMV1233-079 Marking: Cathode	SMV1233-011 Marking: VP	SMV1233-001 Marking: VP1	SMV1233-003 Marking: VP9	SMV1233-004 Marking: VP3	SMV1233-073 Marking: VP9	SMV1233-074 Marking: VP3
	SMV1233-011LF Marking: DP					
SMV1234-079 Marking: Cathode	SMV1234-011 Marking: VQ	SMV1234-001 Marking: VQ1	SMV1234-003 Marking: VQ9	SMV1234-004 Marking: VQ3	SMV1234-073 Marking: VQ9	SMV1234-074 Marking: VQ3
SMV1234-079LF Marking: Cathode	SMV1234-011LF Marking: DQ					
SMV1235-079 Marking: Cathode	SMV1235-011 Marking: VR	SMV1235-001 Marking: VR1		SMV1235-004 Marking: VR3		SMV1235-074 Marking: VR3
				SMV1235-004LF Marking: DR3		
	SMV1235-011LF Marking: DR					
SMV1236-079 Marking: Cathode	SMV1236-011 Marking: AQ	SMV1236-001 Marking: AQ1		SMV1236-004 Marking: AQ3		SMV1236-074 Marking: AQ3
SMV1236-079LF Marking: Cathode	SMV1236-011LF Marking: DQ			SMV1236-004LF Marking: EQ3		
		SMV1237-001 Marking: VT1		SMV1237-004 Marking: VT3		SMV1237-074 Marking: VT3
$L_S = 0.7 \text{ nH}$	$L_S = 1.5 \text{ nH}$	$L_S = 1.5 \text{ nH}$	$L_S = 1.5 \text{ nH}$	$L_S = 1.5 \text{ nH}$	$L_S = 1.4 \text{ nH}$	$L_S = 1.4 \text{ nH}$

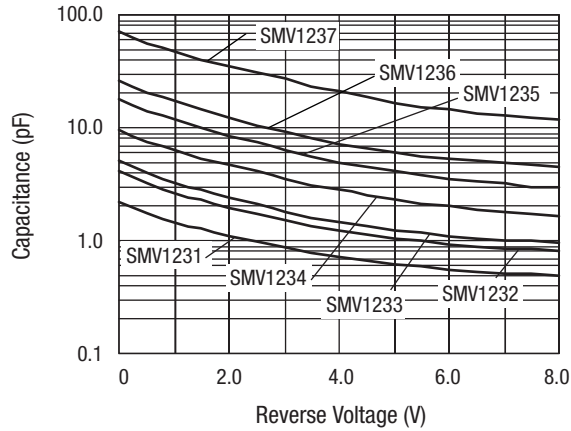
LF denotes lead (Pb)-free packaging option as an alternative to our standard tin/lead (Sn/Pb) packaging.

Electrical Specifications at 25 °C

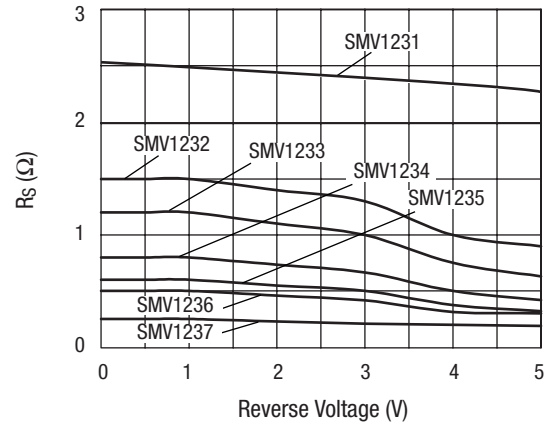
Part Number	$C_T @ 1 \text{ V}$ (pF)		$C_T @ 3 \text{ V}$ (pF)	$C_T @ 6 \text{ V}$ (pF)	$\frac{C_T @ 1 \text{ V}}{C_T @ 3 \text{ V}}$ (Ratio)		$\frac{C_T @ 1 \text{ V}}{C_T @ 6 \text{ V}}$ (Ratio)		$R_S @ 3 \text{ V}$ 500 MHz (Ω)	$Q @ 3 \text{ V}$ 50 MHz
	Min.	Max.	Typ.	Typ.	Min.	Max.	Min.	Max.	Max.	Typ.
SMV1231	1.43	1.72	0.97	0.61	1.5	1.8	2.5	2.8	2.90	1500
SMV1232	2.34	2.86	1.5	0.94	1.5	1.9	2.6	3.3	1.50	1400
SMV1233	3.00	3.60	1.8	1.10	1.5	1.9	2.6	3.3	1.20	1200
SMV1234	5.85	7.15	3.6	2.00	1.6	2.0	2.8	3.4	0.80	1000
SMV1235	10.35	12.65	6.4	3.60	1.6	2.0	2.9	3.4	0.60	750
SMV1236	15.50	18.50	9.2	5.30	1.6	2.0	3.0	3.5	0.50	700
SMV1237	45.00	54.00	26.9	14.40	1.6	2.0	3.0	3.5	0.25	500

Tested in -079 package.
 Reverse Voltage V_R ($I_R = 10 \mu\text{A}$): 15 V minimum.
 Reverse Current I_R ($V_R = 12 \text{ V}$): 20 nA maximum.

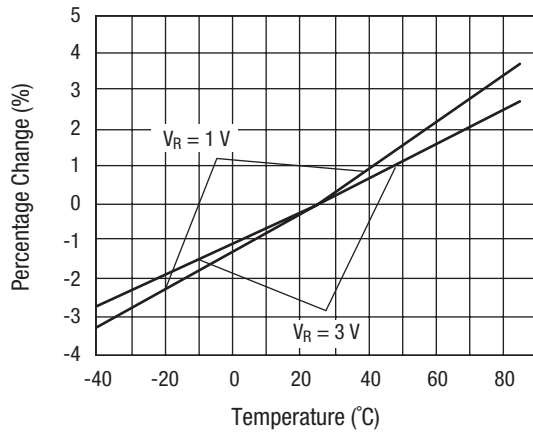
Typical Performance Data



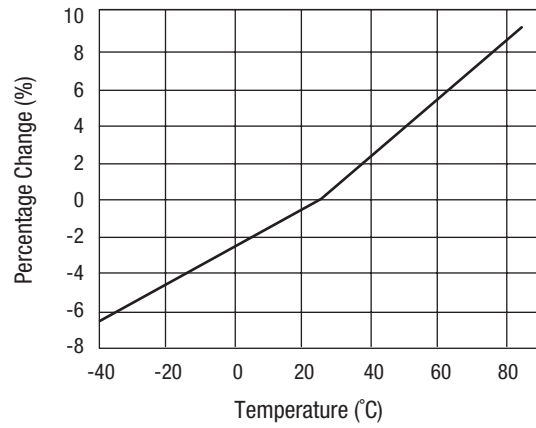
Capacitance vs. Reverse Voltage



Series Resistance vs. Reverse Voltage @ 500 MHz



Relative Capacitance Change vs. Temperature

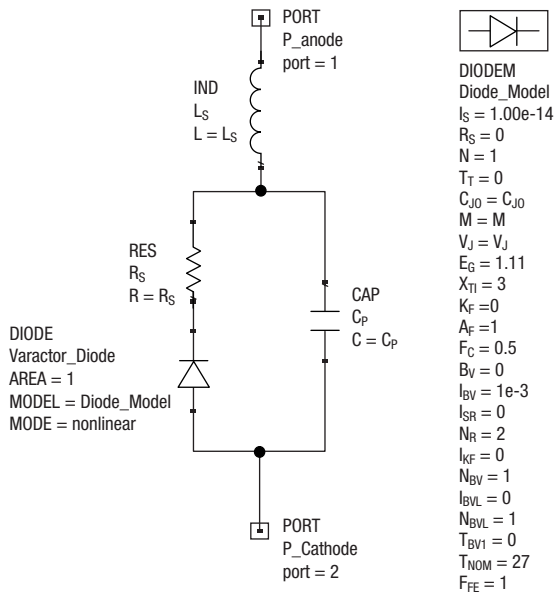


Relative Series Resistance Change vs. Temperature @ 500 MHz

Typical Capacitance Values

V_R (V)	SMV1231	SMV1232	SMV1233	SMV1234	SMV1235	SMV1236	SMV1237
	C_T (pF)	C_T (pF)	C_T (pF)	C_T (pF)	C_T (pF)	C_T (pF)	C_T (pF)
0.0	2.350	4.15	5.08	9.63	18.22	26.75	71.82
0.5	1.870	3.22	3.95	7.53	14.12	20.61	56.10
1.0	1.580	2.67	3.28	6.28	11.67	17.02	46.89
1.5	1.400	2.28	2.80	5.39	9.91	14.38	40.33
2.0	1.220	1.97	2.41	4.68	8.52	12.29	35.13
2.5	1.090	1.72	2.09	4.09	7.36	10.56	30.71
3.0	0.970	1.51	1.82	3.58	6.40	9.16	26.87
3.5	0.882	1.35	1.62	3.15	5.62	8.04	23.57
4.0	0.794	1.22	1.45	2.81	4.99	7.19	20.83
4.5	0.732	1.13	1.33	2.54	4.50	6.53	18.62
5.0	0.683	1.05	1.24	2.32	4.11	6.01	16.87
5.5	0.648	0.99	1.16	2.15	3.80	5.61	15.48
6.0	0.613	0.94	1.10	2.02	3.55	5.28	14.36
6.5	0.590	0.90	1.05	1.90	3.34	5.02	13.46
7.0	0.567	0.86	1.01	1.80	3.17	4.81	12.72
7.5	0.551	0.84	0.98	1.72	3.03	4.64	12.11
8.0	0.534	0.81	0.96	1.65	2.91	4.49	11.61
9.0	0.512	0.78	0.92	1.55	2.73	4.28	10.87
10.0	0.497	0.76	0.90	1.47	2.61	4.13	10.38
11.0	0.492	0.75	0.88	1.42	2.53	4.02	10.06
12.0	0.487	0.74	0.87	1.38	2.47	3.95	9.84
13.0	0.480	0.73	0.86	1.35	2.43	3.89	9.68
14.0	0.472	0.73	0.85	1.33	2.40	3.84	9.56
15.0	0.466	0.72	0.84	1.32	2.38	3.80	9.47

SPICE Model



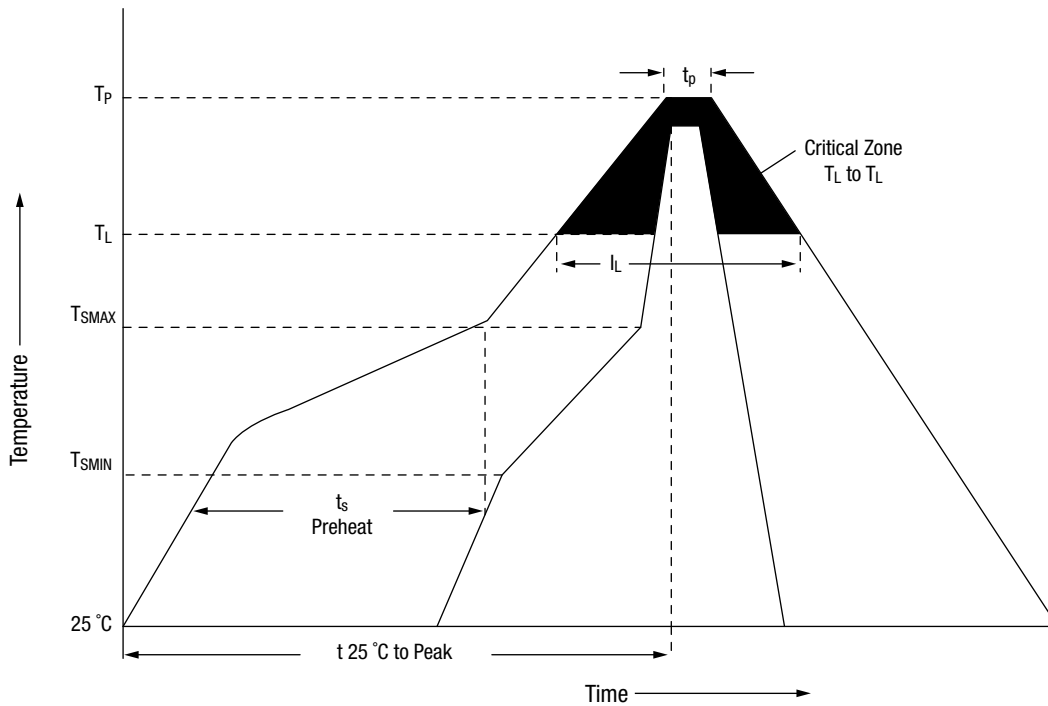
Part Number	C_{J0} (pF)	V_J (V)	M	C_P (pF)	R_S (Ω)
SMV1231	–	1.5	0.8	0.0	2.50
SMV1232	4.20	1.7	0.9	0.0	1.50
SMV1233	4.12	1.7	0.9	0.7	1.20
SMV1234	8.75	2.3	1.1	1.2	0.80
SMV1235	16.13	8.0	4.0	2.0	0.60
SMV1236	21.63	8.0	4.2	3.2	0.50
SMV1237	66.16	10.0	5.3	9.0	0.25

1. Values extracted from measured performance.
2. For package inductance (L_S) refer to package type.
3. For more details refer to the “Varactor SPICE Models for RF VCO Applications” Application Note.

Recommended Solder Reflow Profiles

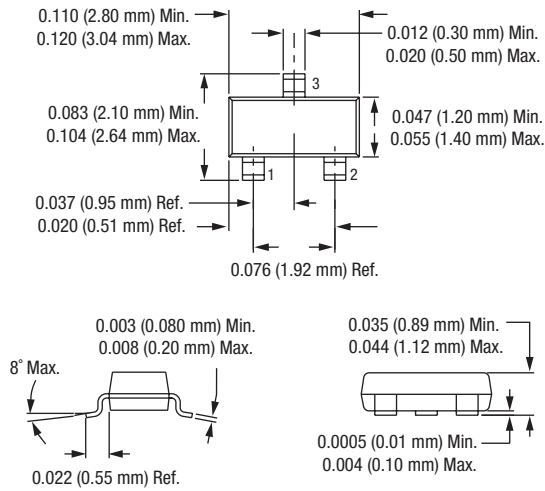
Profile Feature	SnPb Eutectic Assembly	Lead (Pb)-Free Assembly 100% Sn
Average ramp-up rate (T_L to T_P)	3 °C/second max.	3 °C/second max.
Preheat		
Temperature min. (T_{SMIN})	100 °C	150 °C
Temperature max. (T_{SMAX})	150 °C	200 °C
Time (min. to max.) (t_s)	60–120 seconds	60–80 seconds
T_{SMAX} to T_L Ramp-up rate	—	3 °C/second max.
Time maintained above: Temperature (T_L)	183 °C	217 °C
Time (t_L)	60–150 seconds	60–150 seconds
Peak temperature (T_P)	240 +0/-5 °C	250 +0/-5 °C
Time within 5 °C of actual peak temperature (t_p)	10–30 seconds	20–40 seconds
Ramp-down rate	6 °C/second max.	6 °C/second max.
Time 25 °C to peak temperature	6 minutes max.	8 minutes max.

All temperatures refer to the top side of the package, measured on the package body surface.
Reference JEDEC J-STD-020C.

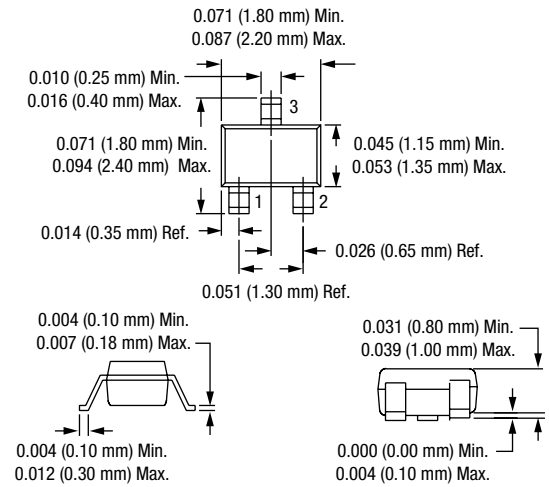


Reference JEDEC J-STD-020

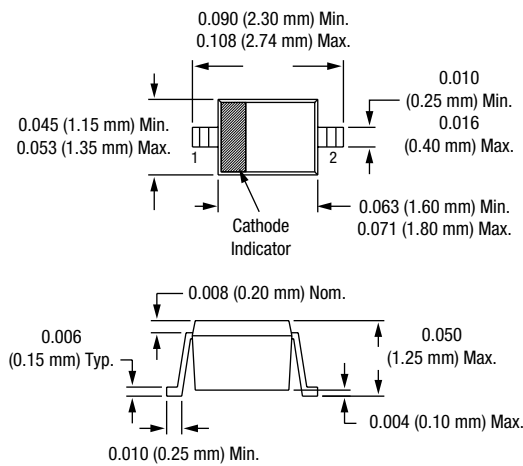
SOT-23



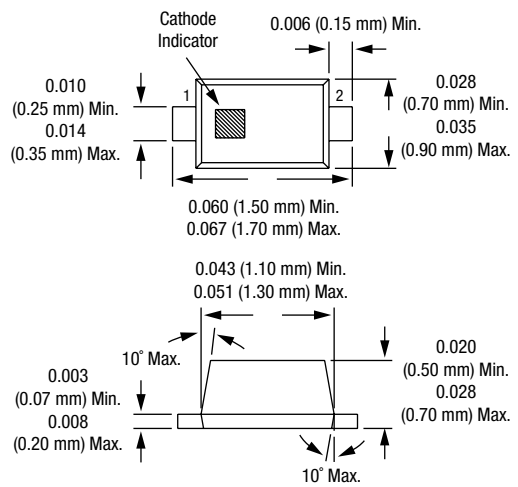
SC-70



SOD-323



SC-79



Copyright © 2002, 2003, 2004, 2005, Skyworks Solutions, Inc. All Rights Reserved.

Information in this document is provided in connection with Skyworks Solutions, Inc. ("Skyworks") products. These materials are provided by Skyworks as a service to its customers and may be used for informational purposes only by the customer. Skyworks assumes no responsibility for errors or omissions in these materials. Skyworks may make changes to its documentation, products, specifications and product descriptions at any time, without notice. Skyworks makes no commitment to update the information and shall have no responsibility whatsoever for conflicts, incompatibilities, or other difficulties arising from future changes to its documentation, products, specifications and product descriptions.

No license, express or implied, by estoppel or otherwise, to any intellectual property rights is granted by or under this document. Except as may be provided in Skyworks Terms and Conditions of Sale for such products, Skyworks assumes no liability whatsoever in association with its documentation, products, specifications and product descriptions.

THESE MATERIALS ARE PROVIDED "AS IS" WITHOUT WARRANTY OF ANY KIND, EITHER EXPRESS OR IMPLIED OR OTHERWISE, RELATING TO SALE AND/OR USE OF SKYWORKS PRODUCTS INCLUDING WARRANTIES RELATING TO FITNESS FOR A PARTICULAR PURPOSE, MERCHANTABILITY, PERFORMANCE, QUALITY OR NON-INFRINGEMENT OF ANY PATENT, COPYRIGHT OR OTHER INTELLECTUAL PROPERTY RIGHT. SKYWORKS FURTHER DOES NOT WARRANT THE ACCURACY OR COMPLETENESS OF THE INFORMATION, TEXT, GRAPHICS OR OTHER ITEMS CONTAINED WITHIN THESE MATERIALS. SKYWORKS SHALL NOT BE LIABLE FOR ANY DAMAGES, INCLUDING SPECIAL, INDIRECT, INCIDENTAL, OR CONSEQUENTIAL DAMAGES, INCLUDING WITHOUT LIMITATION, LOST REVENUES OR LOST PROFITS THAT MAY RESULT FROM THE USE OF THESE MATERIALS WHETHER OR NOT THE RECIPIENT OF MATERIALS HAS BEEN ADVISED OF THE POSSIBILITY OF SUCH DAMAGE.

Skyworks products are not intended for use in medical, lifesaving or life-sustaining applications. Skyworks customers using or selling Skyworks products for use in such applications do so at their own risk and agree to fully indemnify Skyworks for any damages resulting from such improper use or sale.

The following are trademarks of Skyworks Solutions, Inc.: Skyworks®, the Skyworks logo, and Breakthrough Simplicity®. Product names or services listed in this publication are for identification purposes only, and may be trademarks of Skyworks or other third parties. Third-party brands and names are the property of their respective owners. Additional information, posted at www.skyworksinc.com, is incorporated by reference.