



**Fast Speed switching Diode**

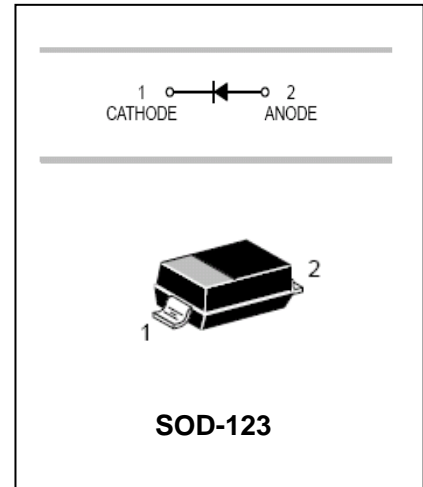
**MMSD4148**

**FEATURES**

- SOD-123 surface mount package.
- High breakdown voltage.
- Fast speed switching time.



Lead-free



**SOD-123**

**APPLICATIONS**

- Surface mount fast switching diode

**ORDERING INFORMATION**

Type No.	Marking	Package Code
MMSD4148	5I	SOD-123

**MAXIMUM RATING @ Ta=25°C unless otherwise specified**

Characteristic	Symbol	Value	Unit
Maximum repetitive reverse Voltage	$V_{RRM}$	100	V
Average rectified forward current	$I_{F(AV)}$	200	mA
Non-repetitive Peak Forward Surge Current	$I_{FSM}$	1.0	A
@t=1s		2.0	
@t=1μs			
Power Dissipation	$P_d$	400	mW
Thermal Resistance, Junction to Ambient	$R_{\theta JA}$	312	°C/W
Operating and Storage Temperature Range	$T_j, T_{STG}$	-55 to+150	°C

**ELECTRICAL CHARACTERISTICS @ Ta=25°C unless otherwise specified**

Characteristic	Symbol	Min	Max	Unit	Test Condition
Reverse Breakdown Voltage	$V_{(BR)R}$	100	-	V	$I_R=100\mu A$
Forward Voltage	$V_F$	-	1.0	V	$I_F=10mA$
Reverse Current	$I_R$	-	25 5.0	nA uA	$V_R=20V$ $V_R=75V$
Diode Capacitance	$C_D$	-	4.0	pF	$V_R=0, f=1.0MHz$
Reverse Recovery Time	$t_{rr}$	-	4.0	ns	$I_F=I_R=10mA$



Fast Speed switching Diode

**MMSD4148**

TYPICAL CHARACTERISTICS @  $T_a=25^\circ\text{C}$  unless otherwise specified

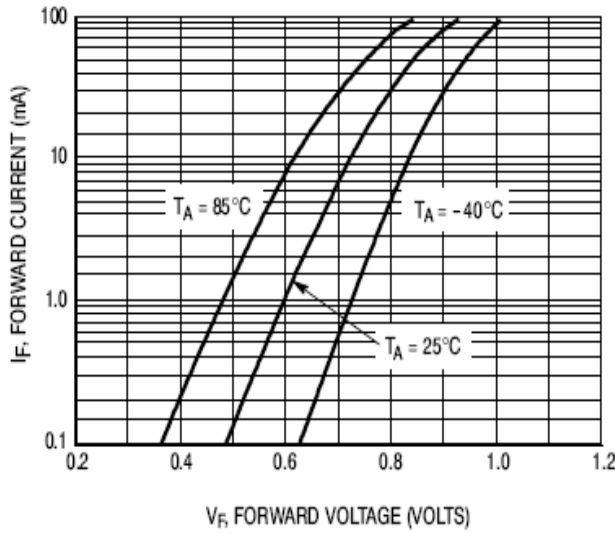


Figure 1. Forward Voltage

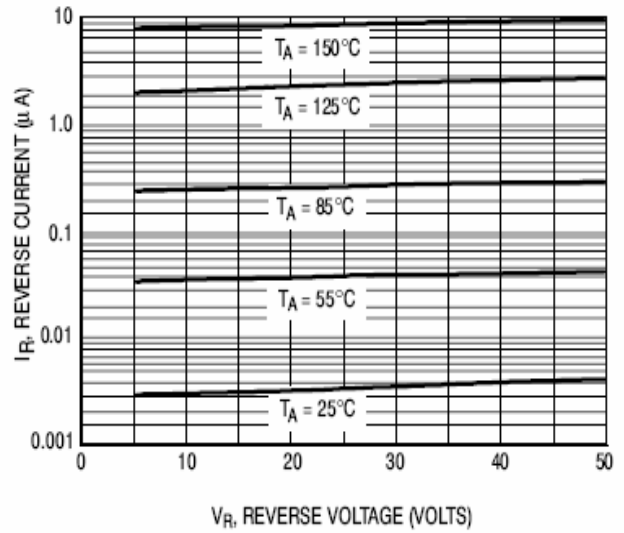


Figure 2. Leakage Current

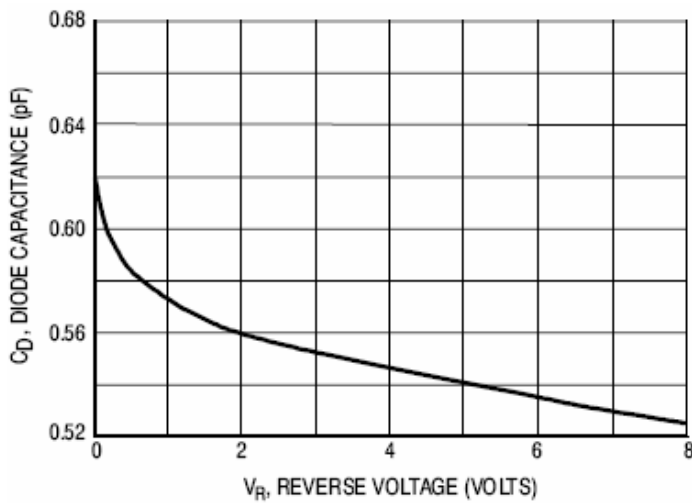


Figure 3. Capacitance

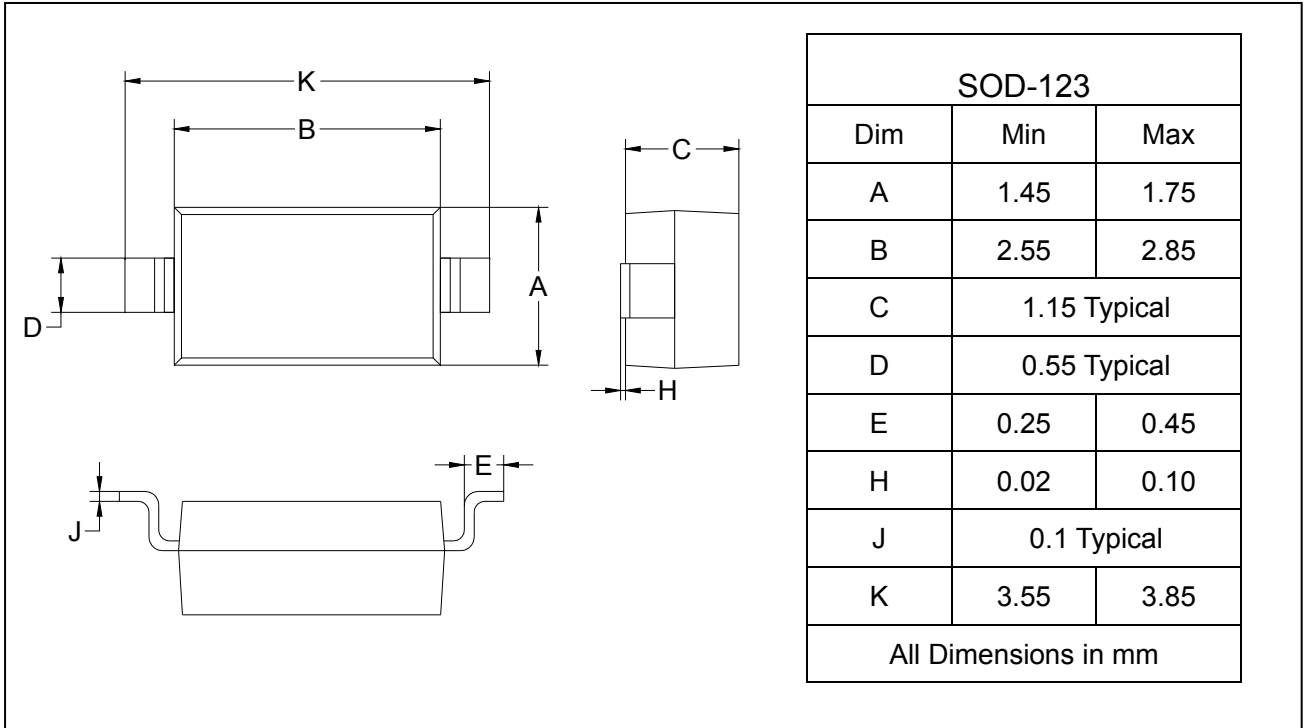
**Fast Speed switching Diode**

**MMSD4148**

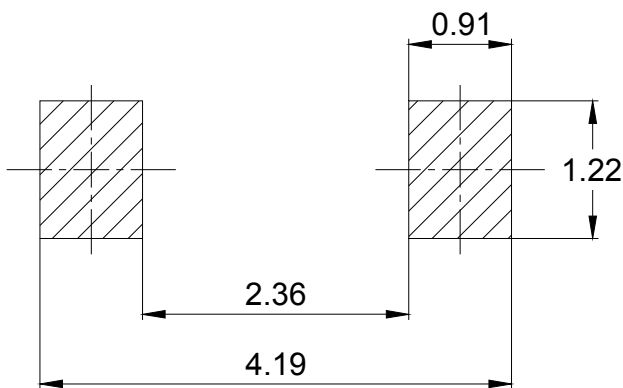
**PACKAGE OUTLINE**

Plastic surface mounted package

SOD-123



**SOLDERING FOOTPRINT**



Unit: mm

**PACKAGE INFORMATION**

Device	Package	Shipping
MMSD4148	SOD-123	3000/Tape&Reel