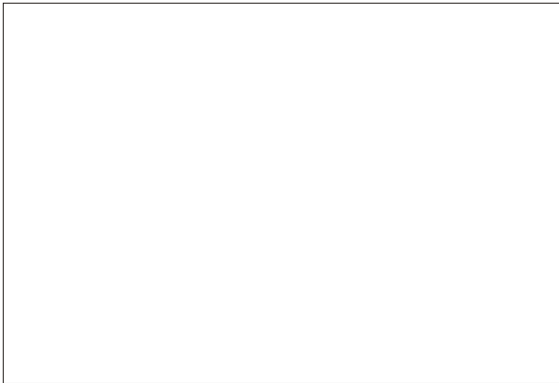


SMDD-400

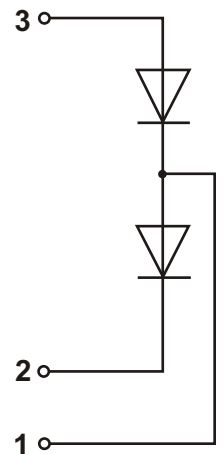
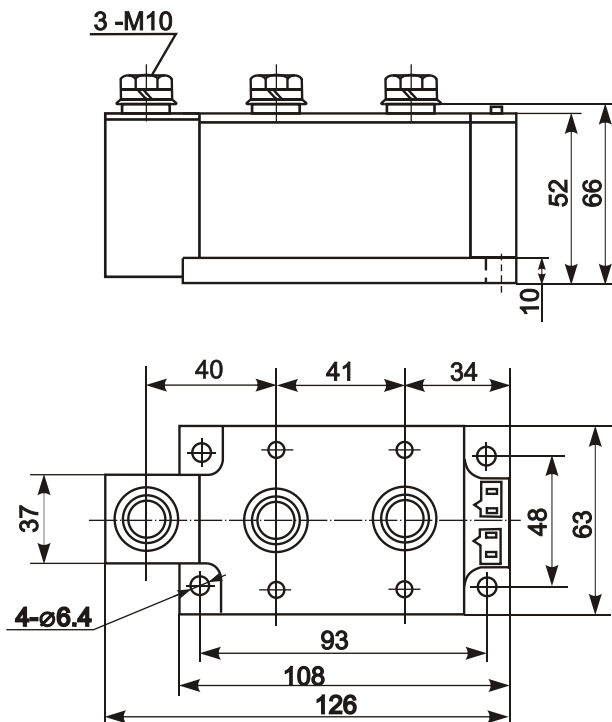


Diode-Diode Module



Type	V_{RSM}	V_{RRM}
SMDD-400-08	900	800
SMDD-400-12	1300	1200
SMDD-400-14	1500	1400
SMDD-400-16	1700	1600
SMDD-400-18	1900	1800

Type	I_{FAVM}	I_{FRMS}	T_c	I_{FSM}	i^2t	V_{TM}	I_{FM}	V_{FO}	r_F	T_{VJM}	V_{isol}	R_{thJC}
	A	A	$^{\circ}C$	KA	KA ² s	V	A	V	m Ω	$^{\circ}C$	V	K/W
SMDD-400	400	630	100	7.5	430	1.7	720	0.8	0.56	150	2500	0.085



Features:

- Industrial standard package
- Heat transfer through aluminium nitride ceramic isolated metal baseplate
- Precise internal pressure contacts for high reliability
- 2500V RMS isolation voltage

Typical Applications:

- DC power supply for instrument and equipment
- Power converters
- Electronic welders
- Lighting control