

Index-Guided High Power AlGaAs Laser Diode

Description

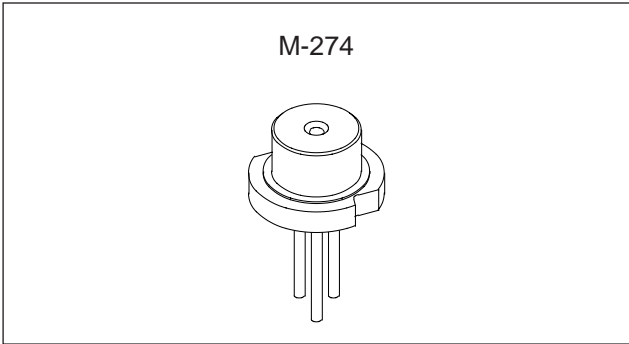
The SLD233VL is a high power index-guided AlGaAs laser diode.

Features

- Low noise
- Low power consumption

Applications

Pickups for MiniDisc recording/playback



Structure

- AlGaAs quantum well-structure laser diode
- PIN photodiode for optical power output monitor

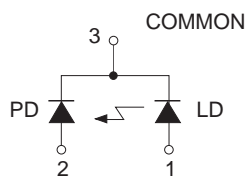
Recommended Operating Optical Power Output

30mW

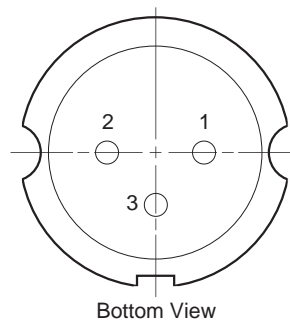
Absolute Maximum Ratings (Tc = 25°C)

- | | | | |
|-------------------------|------------------|------------|----|
| • Optical power output | P _O | 35 | mW |
| • Reverse voltage | V _R | LD 2 | V |
| | | PD 15 | V |
| • Operating temperature | T _{opr} | -10 to +60 | °C |
| • Storage temperature | T _{stg} | -40 to +85 | °C |

Connection Diagram



Pin Configuration



1. LD ANODE
2. PD ANODE
3. COMMON

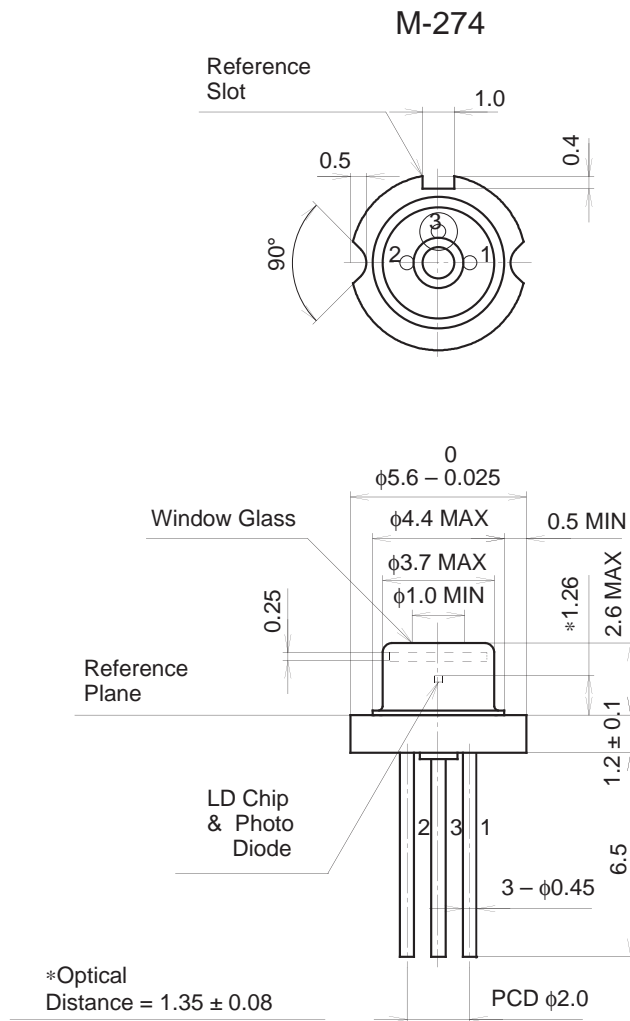
Sony reserves the right to change products and specifications without prior notice. This information does not convey any license by any implication or otherwise under any patents or other right. Application circuits shown, if any, are typical examples illustrating the operation of the devices. Sony cannot assume responsibility for any problems arising out of the use of these circuits.

Optical and Electrical Characteristics (T_c = 25°C)T_c: Case temperature

Item	Symbol	Conditions	Min.	Typ.	Max.	Unit	
Threshold current	I _{th}			30	40	mA	
Operating current	I _{op}	P _o = 35mW		70	85	mA	
Operating voltage	V _{op}	P _o = 35mW		2.0	2.5	V	
Oscillation wavelength	λ	P _o = 35mW	780	790	800	nm	
Radiation angle	Perpendicular	θ _⊥	P _o = 35mW	26	28.5	32	degree
	Parallel	θ _{//}		7.4	8.5	10.0	degree
Positional accuracy	Position	ΔX, ΔY, ΔZ	P _o = 35mW			±80	μm
	Angle	Δφ _⊥				±3	degree
		Δφ _{//}				±2	degree
Differential efficiency	η _D	P _o = 30mW	0.55	0.9	1.2	mW/mA	
Astigmatism	A _s			-16		μm	
Coherence	γ	P _o = 4mW		0.7	0.9		

Package Outline

Unit: mm



SONY CODE	M-274
EIAJ CODE	_____
JEDEC CODE	_____

PACKAGE WEIGHT	0.3g
----------------	------