

ABSOLUTE MAXIMUM RATINGS (V_{SS}=0V)

Parameter	Symbol	Ratings	Unit
Supply voltage	V _{DD}	- 0.3 to 7.0	V
Input voltage	V _I	- 0.3 to V _{DD} +0.3	V
Output voltage	V _O	- 0.3 to V _{DD} +0.3	V
Storage temperature	T _{stg}	- 65 to 150	°C

RECOMMENDED OPERATING CONDITIONS

Parameter	Symbol	Conditions	Min	Typ	Max	Unit
Supply voltage	V _{DD}		1.8	—	3.5	V
Operating temperature	T _{opr}		0	—	70	°C

ELECTRICAL CHARACTERISTICS (V_{DD} = 3V, T_a = 25°C)

Parameter	Symbol	Conditions	Min	Typ	Max	Unit
Supply current	I _{DD}	Standby	—	2	—	μA
High level output current	I _{OH}	V _{DD} = 3V V _{OH} = V _{DD} - 0.4	—	2	—	mA
Low level output current	I _{OL}	V _{DD} = 3V V _{OL} = V _{SS} + 0.4	—	4	—	mA
High level input voltage	V _{IH}	V _{DD} = 3V	2.4	—	—	V
Low level input voltage	V _{IL}	V _{DD} = 3V	—	—	0.6	V
Input leakage current	I _{LI}		- 1	—	1	μA

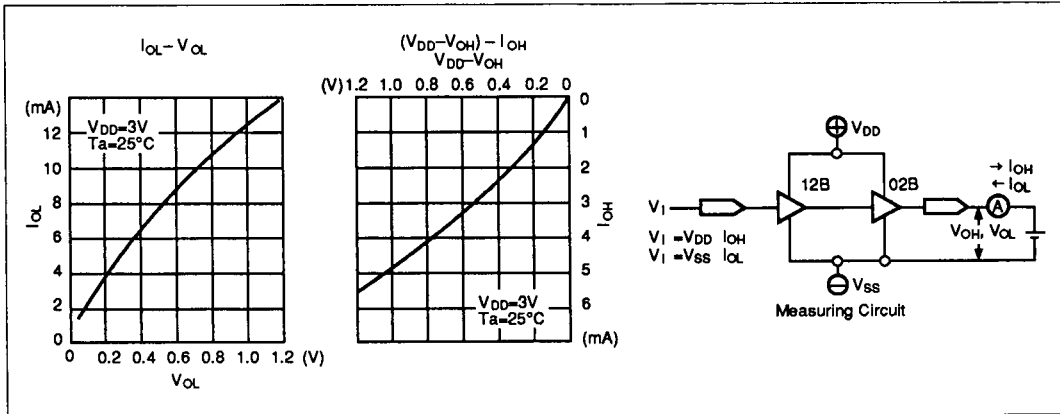
PACKAGE LIST

Type	Pin No.	Pkg.name	SLA605L	SLA608L	SLA614L	SLA617L	SLA627L	SLA633L	SLA643L	SLA662L
Plastic DIP	14pin	C14	A	A						
	16pin	C16	A	A						
	18pin	C18	A	A						
	24pin	C24	A	A	A	A				
	28pin	C28	A	A	A	A	A			
	40pin	C40	A	A	A	A	A	F		
	42pin	C42	A	A	A	A	A	F		
Plastic FP	44pin	F44-2		A	A	A	F			
	46pin	F46-5	A	A	A	A	A	A	A	
	60pin	F60-2	A	A	A	A	A	F		
	60pin	F60-5	A	A	A	A	A	A	A	
	80pin	F80-5			A	A	A	A	A	
100pin	F100-5				A	A	A	A		
Ceramic FP	148pin	H148						A	A	A
Plastic SOP	24pin	M24	A	A	A					
	28pin	M28-2		A	A					
Plastic shrink Dip	28pin	S28		A						
	42pin	S42								
	64pin	S64			A	A	A			
Ceramic PGA	64pin	P64			A	A	A	A		
	72pin	P72				A	A	A		
	132pin	P132					A	A	A	A
PLCC	44pin	J44	A	A	A	A	A	A	A	A
	68pin	J68			A	A	A	A	A	A
	84pin	J84				A	A	A	A	A

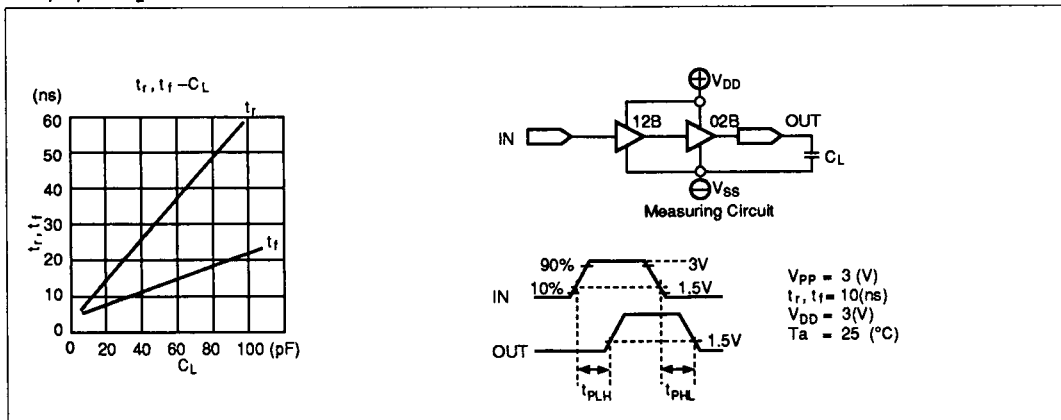
A: Available F: Under development

■ PERFORMANCE CURVES

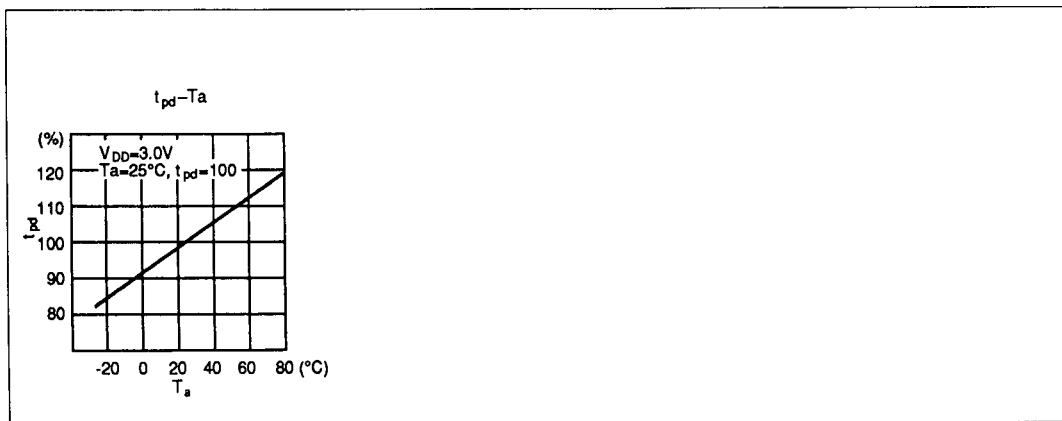
● Output Current



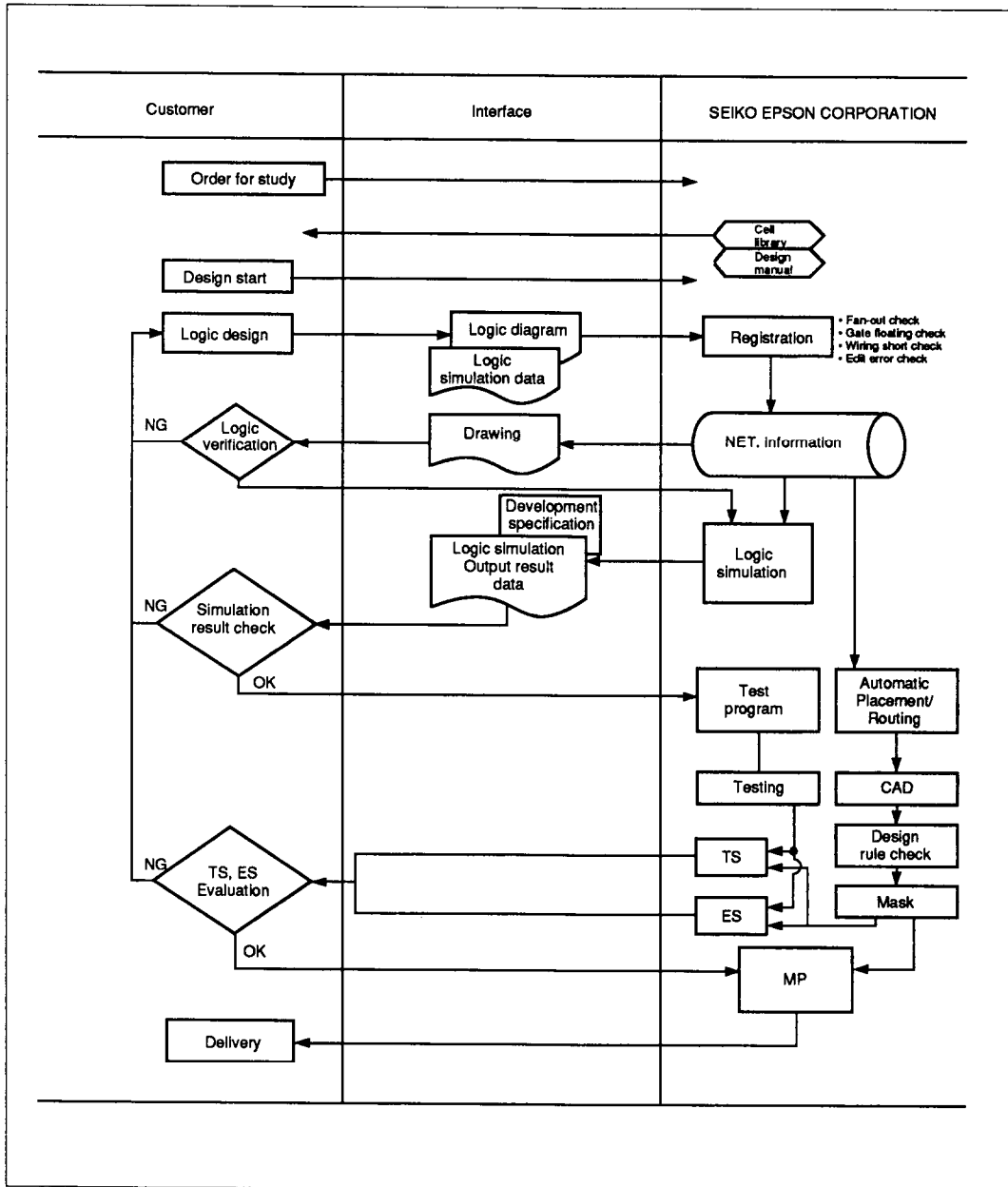
● $t_r, t_f - C_L$



● Delay Time



■ GATE ARRAY DESIGN FLOW



NOTE: Values in the properties table are specified as Max or Min according to the comparison on the numerical coordinate.

NOTE: All specification of this device are subject to change without notice.