

SURFACE MOUNT SCHOTTKY BARRIER RECTIFIERS

SL32A--SL310A

FEATURES

- Low leakage
- Low forward voltage drop
- High current capability
- For surface mounted applications
- Easily cleaned with Alcohol, Isopropnol and similar solvents



MECHANICAL DATA

- Case: SMA molded plastic body
- Terminals: Solder plated, solderable per MIL-STD-202, Method 208
- Polarity: Color band denotes cathode end

Maximum Ratings (@TA = 25°C unless otherwise specified)

Characteristic	Symbol	SL32A	SL33A	SL34A	SL345A	SL35A	SL36A	SL38A	SL39A	SL310A	UNITS
Maximum repetitive peak reverse voltage	V_{RRM}	20	30	40	45	50	60	80	90	100	V
Maximum RMS voltage	V_{RWS}	14	21	28	31.5	35	42	56	63	70	V
Maximum DC blocking voltage	V_{DC}	20	30	40	45	50	60	80	90	100	V
Maximum average forward rectified current at $T_L=90^\circ\text{C}$	$I_{F(AV)}$	3.0									A
Peak forward surge current 8.3ms single half-sine-wave	I_{FSM}	100									A

Thermal Characteristics

Characteristic	Symbol	SL32A	SL33A	SL34A	SL345A	SL35A	SL36A	SL38A	SL39A	SL310A	UNITS
Operating temperature range	T_J	-55 ---- +125						-55 ---- +150			$^\circ\text{C}$
Storage temperature range	T_{STG}	-55 ---- +150									$^\circ\text{C}$

Electrical Characteristics (@TA = 25°C unless otherwise specified)

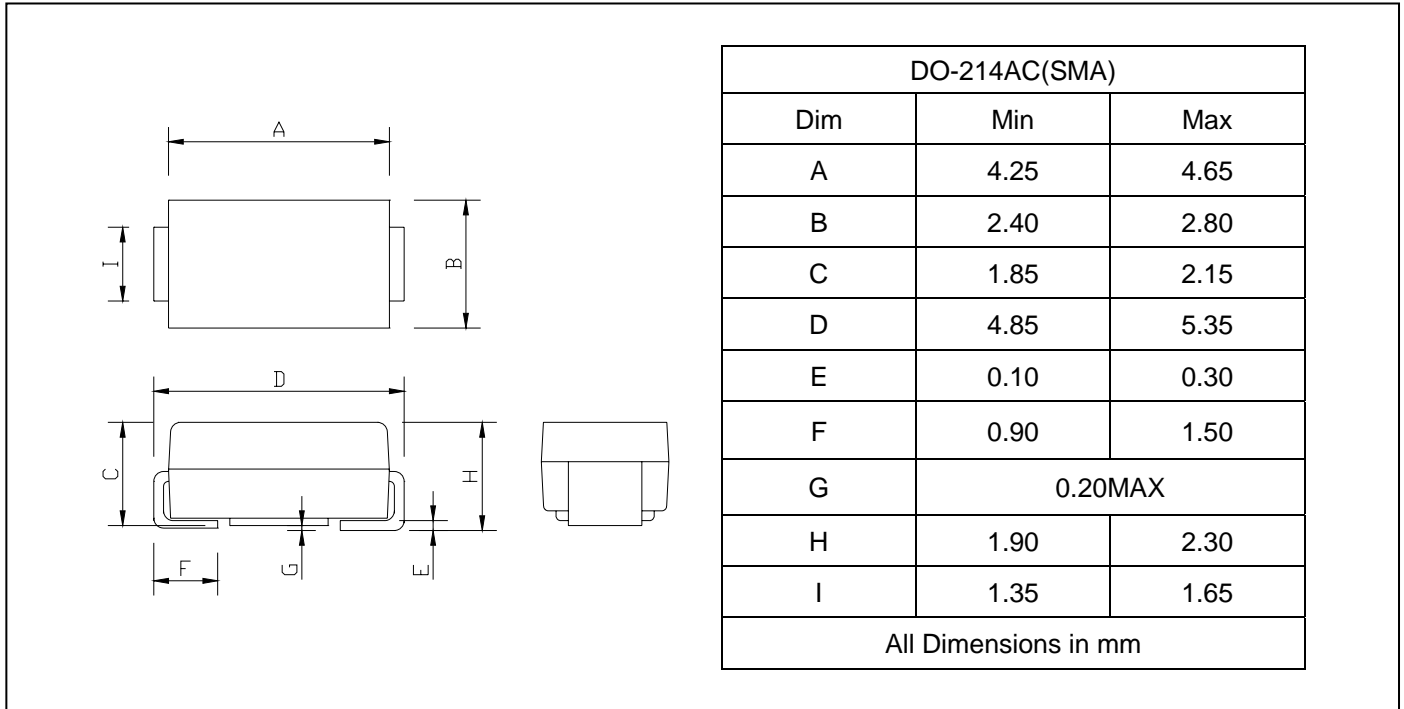
Characteristic	Symbol	SL32A	SL33A	SL34A	SL345A	SL35A	SL36A	SL38A	SL39A	SL310A	UNITS	
Maximum instantaneous forward voltage at $I_{FM}=3.0\text{A}$	V_F	0.45				0.58		0.63			V	
Maximum DC reverse current $T_J=25^\circ\text{C}$ at rated DC blocking voltage $T_J=125^\circ\text{C}$	I_R	0.5					20					m A



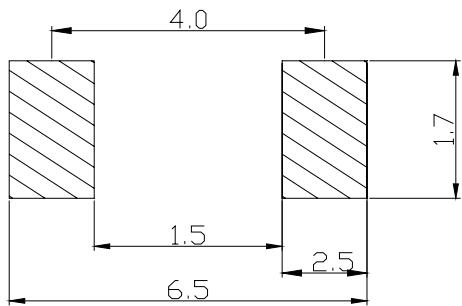
**SURFACE MOUNT SCHOTTKY
BARRIER RECTIFIERS**

SL32A--SL310A

PACKAGE OUTLINE DIMENSIONS



SOLDERING FOOTPRINT



Unit : mm

PACKAGE INFORMATION

Device	Package	Shipping
SL32A--SL310A	DO-214AC(SMA)	5000/Tape&Reel