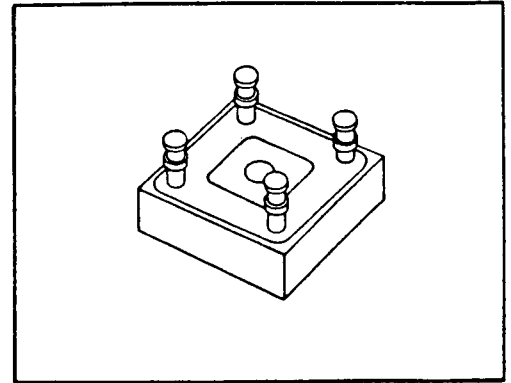


# SDA 267

## 10 amp rectifier assembly

X00091

- \* AVERAGE OUTPUT CURRENT 10 AMPS
- \* PIV 50 TO 1000 VOLTS
- \* 150 NSEC. MAXIMUM RECOVERY
- \* MAXIMUM THERMAL RESISTANCE 5°C/WATT  
JUNCTION TO CASE
- \* HERMETICALLY SEALED DIODE CELLS
- \* TURRET TERMINAL



SSDI introduces a new and complete series of fast recovery bridge rectifier assemblies. Designed in cast aluminum cases to provide maximum thermal conductivity and simple installation.

SEMTECH EQUIVALENT: SCBH05F through SCBH4F (up to 400V)

UNITRODE EQUIVALENT: 684-1 through 684-6 (up to 600V)

Type	PIV per leg	Sine Wave RMS input Voltage Max.	Average DC Output Amps TC = (case temp.)		Average DC Output Amps TA = Ambient Temp (No heat Sink)			Peak 1 Cycle Forward Surge	Peak Recurrent Forward	VF Max per leg @ ADC	Reverse Current (I <sub>R</sub> Max. per leg. @ PIV)	
			55°C	100°C	25°C	55°C	100°C				25°C	100°C
			AMPS	AMPS	AMPS	AMPS	AMPS				UA	UA
SDA267 A	50	35	10	6	4	3	1.7	125	60	1.2	2	50
SDA267 B	100	70	10	6	4	3	1.7	125	60	1.2	2	50
SDA267 C	200	140	10	6	4	3	1.7	125	60	1.2	2	50
SDA267 D	400	280	10	6	4	3	1.7	125	60	1.2	2	50
SDA267 E	600	420	10	6	4	3	1.7	125	60	1.2	2	50
SDA267 F	800	560	10	6	4	3	1.7	125	60	1.2	2	50
SDA267 G	1000	700	10	6	4	3	1.7	125	60	1.2	2	50

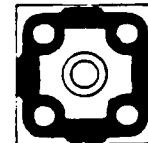
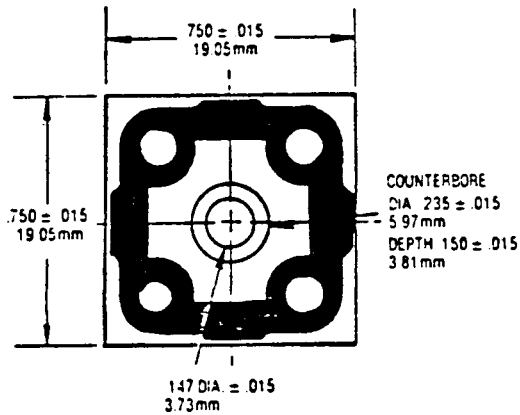
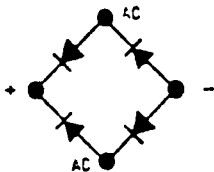
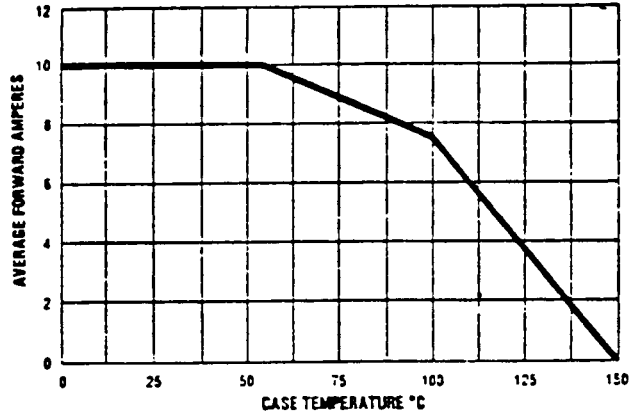
Recovery conditions: 0.5 amp forward current to 1.0 amp reverse current. Recovery time is measured when rectifier reverses to 25 amp.

Specifications subject to change without notice.

# SSDI

SOLID STATE DEVICES, INC.

TEMPERATURE DERATING CURVE



ACTUAL SIZE

