

FEATURES

- High Speed Switching..... $t_r < 2ns$
- Low Capacitance..... $C_{RSS} 1.2pF$ typical
- Very Low on Resistance..... **8 ohm max**
- Low Threshold..... $< 1.5V$
- CMOS and TTL Compatible Input
- Available in Surface Mount Package

APPLICATIONS

- Switch Drivers
- Video Switches
- VHF/UHF Amplifiers

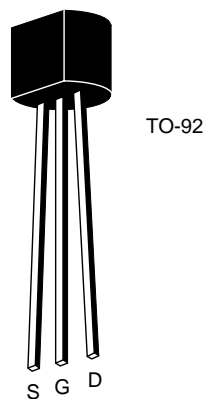
DESCRIPTION

The SD404 is an N-Channel Enhancement Mode device processed with Calogic's ultra high speed lateral DMOS technology. The SD404 is an excellent switch driver or analog switch. Its low threshold offers the designer an advantage in applying the benefits of low on resistance and high speed switching to low voltage circuits.

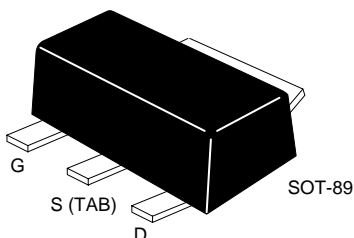
ORDERING INFORMATION

Part	Package	Temperature Range
SD404BD	Plastic TO-92 Package	-55°C to +125°C
SD404CY	SOT-89 Surface Mount	-55°C to +125°C
XSD404	Sorted Chips in Carriers	-55°C to +125°C

PIN CONFIGURATION



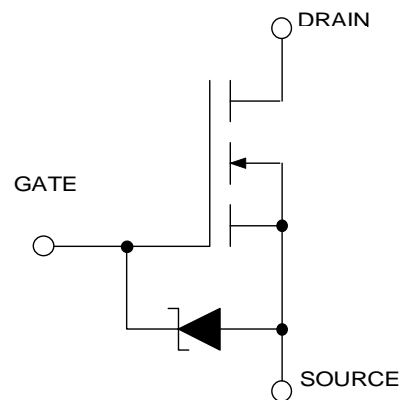
CD3



PRODUCT MARKING

TO-92	SD4040B
SOT-89	SD404

SCHEMATIC DIAGRAM



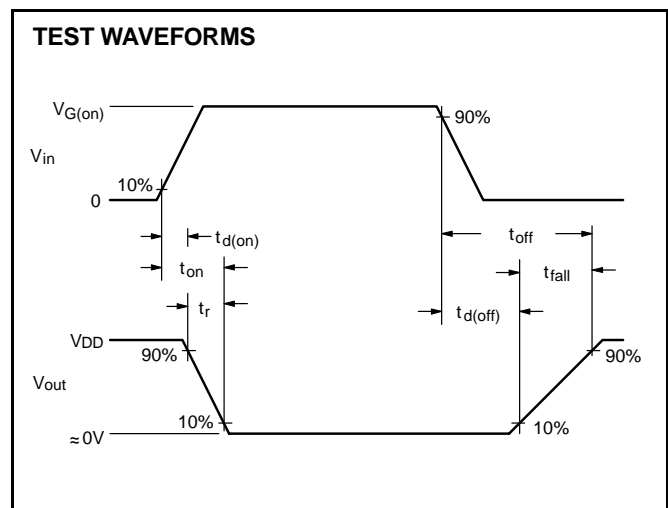
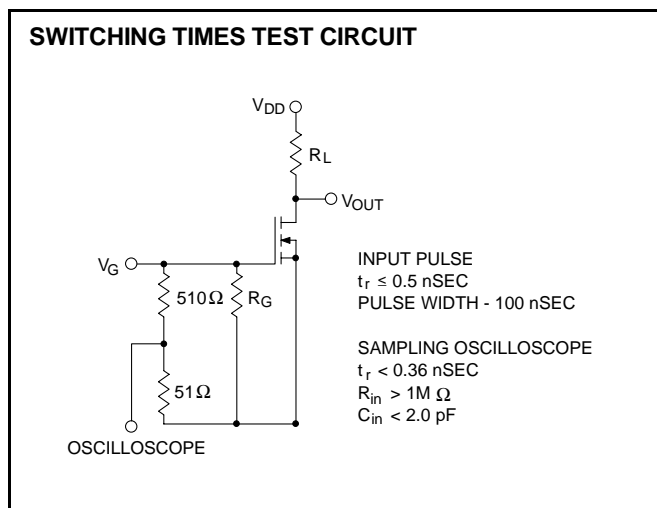
ABSOLUTE MAXIMUM RATINGS (T_A = +25°C unless otherwise noted)

Drain-Source Voltage	+20V	Peak Pulsed Drain Current	+0.8A
Gate-Source Voltage	-0.3V	Continuous Drain Current	100mA
	+20V	Power Dissipation (at or below T _A = +25°C)	300mW
Gate-Drain Voltage	-0.3V	Linear Derating Factor	3.0mW/°C
	+20V	Operating Junction and Storage	
Source-Drain Voltage	-0.3V	Temperature Range	-55°C to +125°C

ELECTRICAL CHARACTERISTICS (T_A = +25°C unless otherwise specified)

SYMBOL	CHARACTERISTICS	MIN	TYP	MAX	UNIT	TEST CONDITIONS
STATIC						
BV _{DSS}	Drain-Source Breakdown Voltage	20	25		V	I _D = 1.0μA, V _{GS} = 0
I _{D(OFF)}	Drain-Source OFF Leakage Current			1.0	μA	V _{DS} = 15V, V _{GS} = 0
I _{GSS}	Gate-Source Leakage Current			10	μA	V _{GS} = 20V, V _{DS} = 0
I _{D(ON)}	Drain-Source ON Current	0.8	1.2		A	V _{DS} = 10V, V _{GS} = 10 V (Note 1)
V _{GS(th)}	Gate-Source Threshold Voltage	0.5	1.1	1.5	V	I _D = 1.0μA, V _{DS} = V _{GS}
V _{DS(ON)}	Drain-Source ON Voltage			200	mV	I _D = 10mA V _{GS} = 2.4V I _D = 100mA V _{GS} = 4.5V (Note 1)
r _{DS(ON)}	Drain-Source ON Resistance			20	ohms	
V _{DS(ON)}	Drain-Source ON Voltage			800	mV	
r _{DS(ON)}	Drain-Source ON Resistance			8.0	ohms	
DYNAMIC						
g _{fs}	Common-Source Forward Transconductance	100			mS	I _D = 0.3A V _{DS} = 20V f = 1KHz (Note 1)
C _{iss}	Common-Source Input Capacitance		12	18	pf	V _{DS} = 20V, V _{GS} = 0 f = 1MHz
C _{oss}	Common-Source Output Capacitance		6.0	8.0		
C _{rss}	Common-Source Reverse Transfer Capacitance		1.2	2.0		
t _{d(on)}	Turn ON Delay Time		1.0	1.5	ns	V _{DD} = 10V, R _L = 390Ω V _{G(ON)} = 10V, R _G = 51Ω C _L = 1.5pF
t _r	Rise Time		1.0	2.0		
t _(OFF)	Turn OFF Time		1.0			

Note 1: Pulse Test, 80μSec, 1% Duty Cycle



TYPICAL PERFORMANCE CHARACTERISTICS ($T_A = +25^\circ\text{C}$ unless otherwise noted)

