

RoHS Compliant Product  
A suffix of "-C" specifies halogen & lead-free

## FEATURES

- Surface Mounting Type
- High Speed
- High Reliability with High Surge Current Handling Capability

## APPLICATION

- High Speed Switching for Detection
- For Portable Equipment: (i.e. Mobile Phone, MP3, MD, CD-ROM, DVD-ROM, Note Book PC, etc.)

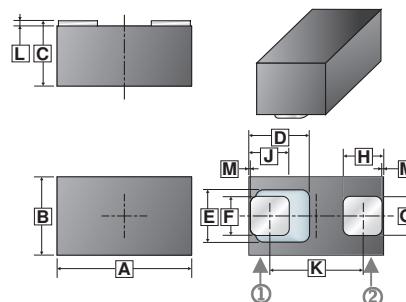
## MARKING



## PACKAGE INFORMATION

Package	MPQ	Leader Size
WBFBP-02C	10K	7 inch

## WBFBP-02C



REF.	Millimeter		REF.	Millimeter	
	Min.	Max.		Min.	Max.
A	0.95	1.05	G	0.25	0.35
B	0.55	0.65	H	0.25	0.35
C	0.44	0.55	J	0.275	0.47
D	0.470 REF.		K	0.555	0.725
E	0.420 REF.		L	0.010	0.100
F	0.27	0.37	M	0.030 REF.	



## ORDER INFORMATION

Part Number	Type
SCS400DS	Lead (Pb)-free
SCS400DS-C	Lead (Pb)-free and Halogen-free

## ABSOLUTE MAXIMUM RATINGS (T<sub>A</sub>=25°C unless otherwise specified)

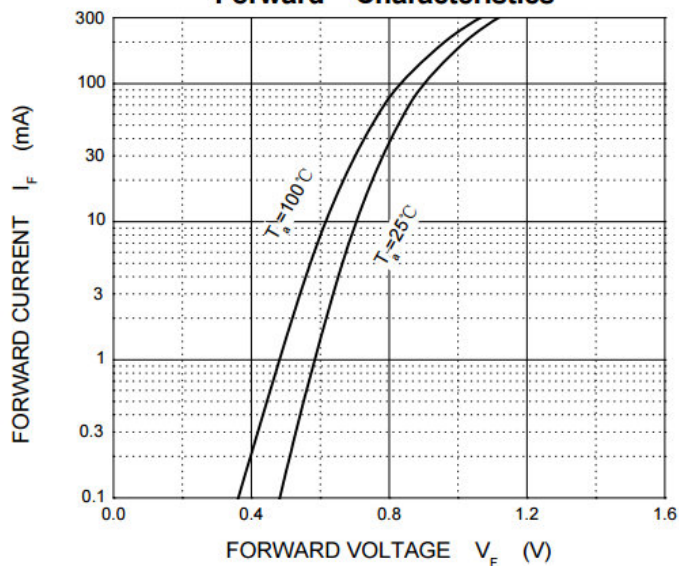
Parameter	Symbol	Ratings	Unit
Peak Reverse Voltage	V <sub>RM</sub>	90	V
DC Reverse Voltage	V <sub>R</sub>	80	V
Average Rectified Output Current	I <sub>O</sub>	150	mA
Peak Forward Current	I <sub>FM</sub>	300	mA
Non-Repetitive Peak Forward Surge Current @t=8.3ms	I <sub>FSM</sub>	2	A
Power dissipation	P <sub>D</sub>	100	mW
Thermal Resistance from Junction-Ambient	R <sub>θJA</sub>	1250	°C/W
Junction & Storage Temperature	T <sub>J</sub> , T <sub>STG</sub>	150, -55~150	°C

## ELECTRICAL CHARACTERISTICS (T<sub>A</sub>=25°C unless otherwise specified)

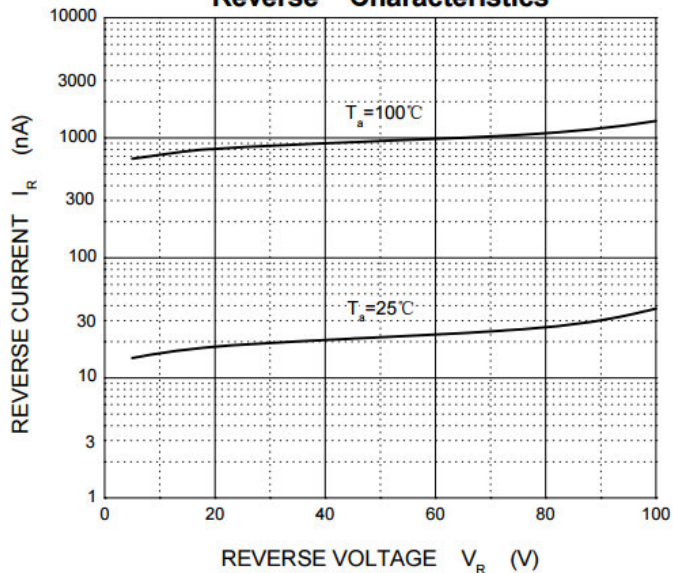
Parameter	Symbol	Min.	Typ.	Max.	Unit	Test Conditions
Forward Voltage	V <sub>F</sub>	-	-	1.2	V	I <sub>F</sub> =100mA
Reverse Current	I <sub>R</sub>	-	-	0.1	μA	V <sub>R</sub> =80V
Capacitance Between Terminals	C <sub>T</sub>	-	3	-	pF	V <sub>R</sub> =0.5V, f=1MHz
Reverse Recovery Time	t <sub>rr</sub>	-	4	-	nS	V <sub>R</sub> =6V, I <sub>F</sub> =10mA, R <sub>L</sub> =100Ω

**CHARACTERISTIC CURVES**

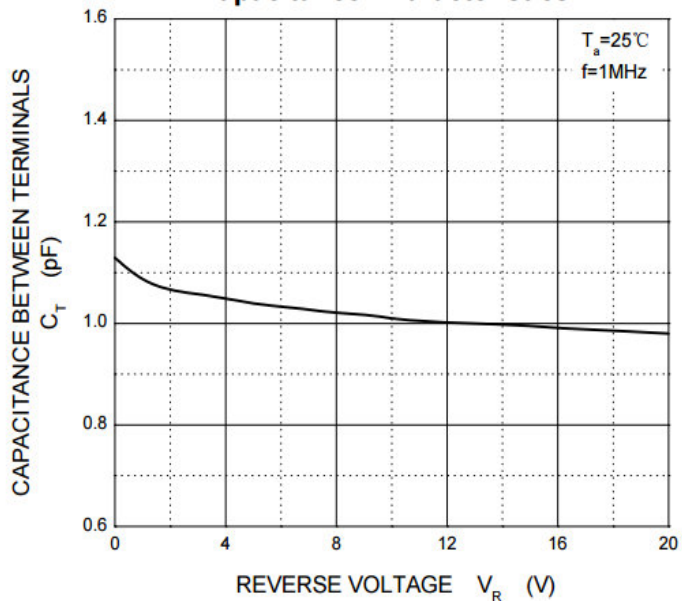
**Forward Characteristics**



**Reverse Characteristics**



**Capacitance Characteristics**



**Power Derating Curve**

