

FAST RECOVERY, HIGH CURRENT CENTER TAP AND DOUBLER RECTIFIER ASSEMBLIES

- Low forward voltage drop
- Low reverse leakage current
- Fast reverse recovery time
- Low thermal impedance
- High forward current rating

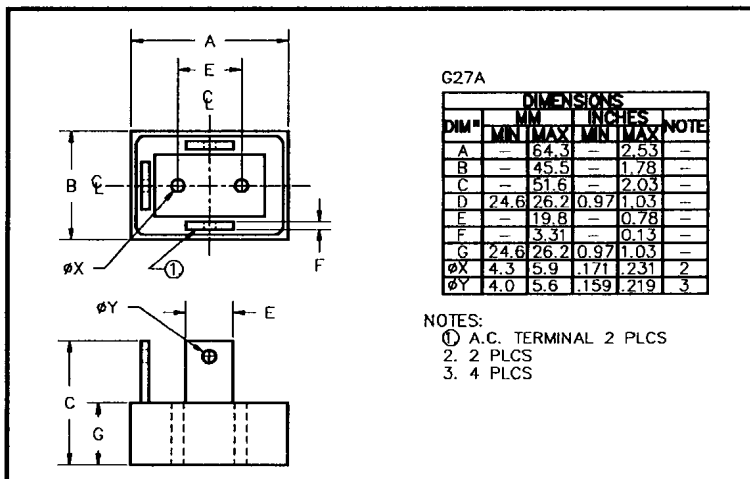
QUICK REFERENCE DATA

- $V_R = 50V - 400V$
- $I_F = 80.0A$
- $t_{rr} = 150nS$
- $V_F = 1.0V$

ABSOLUTE MAXIMUM RATINGS

Device Type	Working Reverse Voltage V_{RWM}	Average Rectified Current (@ case temperature)			1 Cycle Surge Current $t_p = 8.3mS$		Repetitive Surge Current
		@ 25°C	@ 55°C	@ 100°C	@ 25°C	@ 100°C	@ 25°C
		Volts	Amps	Amps	Amps	Amps	Amps
SCDAS05F	50	↑	↑	↑	↑	↑	↑
SCDAS1F	100	40.0	32.5	21.0	900	600	120
SCDAS2F	200	↓	↓	↓	↓	↓	↓
SCDAS4F	400	↓	↓	↓	↓	↓	↓
SCNAS05F SCPAS05F	50	↑	↑	↑	↑	↑	↑
SCNAS1F SCPAS1F	100	80.0	65.0	42.0	900	600	120
SCNAS2F SCPAS2F	200	↓	↓	↓	↓	↓	↓
SCNAS4F SCPAS4F	400	↓	↓	↓	↓	↓	↓

MECHANICAL



Maximum thermal impedance
 $R_{\theta JC} = 0.80^{\circ}C/W$

Approximate mass = 245g

January 9, 1998

ELECTRICAL CHARACTERISTICS (ratings apply per leg)

Device Type	Reverse Current @ V_{RWM}		Maximum Forward Voltage $V_F @ 18.0A @ 25^\circ C$	Maximum Reverse Recovery Time
	@ 25 °C	@ 100 °C		
	μA	μA	Volts	nS
SCDAS05F SCDAS1F SCDAS2F SCDAS4F	6.0 ↑ ↓	120 ↑ ↓	1.1 ↑ ↓	150 ↑ ↓
SCNAS05F SCPAS05F SCNAS1F SCPAS1F SCNAS2F SCPAS2F SCNAS4F SCPAS4F	6.0 ↑ ↓	120 ↑ ↓	1.1 ↑ ↓	150 ↑ ↓

¹ Measured on discrete devices prior to assembly

Operating temperature range -55 °C to +150 °C
Storage temperature range -55 °C to +150 °C

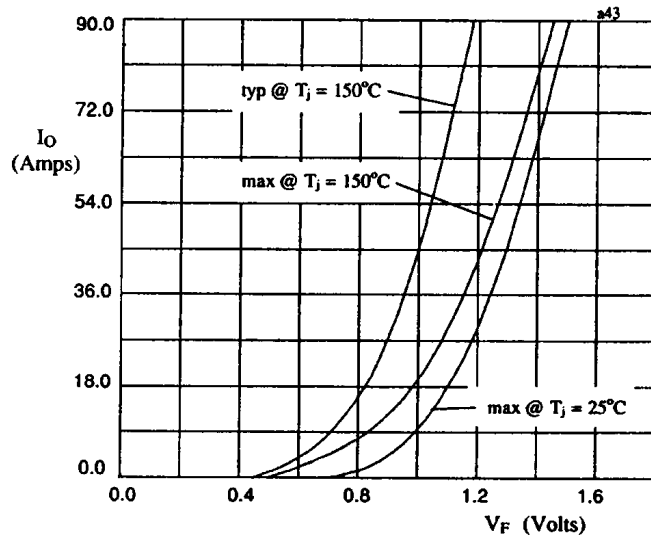


Fig 1. Forward voltage drop against current (per leg)

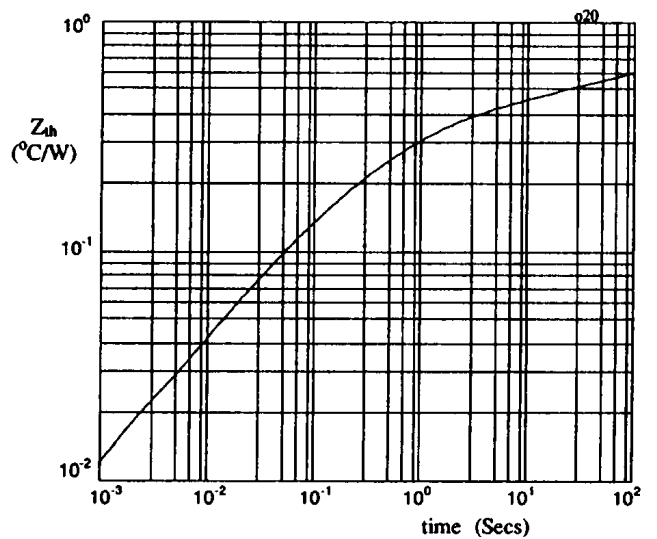


Fig 2. Transient thermal impedance characteristic per leg