

### POWER MANAGEMENT

#### Description

The SC905 is a power management integrated circuit (PMIC) designed for the latest CDMA chip sets. The device provides four general purpose low dropout regulators (LDOs), and five low noise LDOs designed for analog circuits. The VMOT LDO can be used as a general purpose regulator or as an adjustable motor drive output that can supply up to 150mA to drive a vibrator motor.

Each LDOs enable and output voltage are controlled via the I<sup>2</sup>C bus. An optional three-wire interface compatible with Semtech battery charger ICs is also controlled via the I<sup>2</sup>C bus.

Initial power-on is achieved by activating either the ON or the HFPWR signal, and the PGOOD input is used by the microprocessor to latch power on or disable the device.

The small and thermally efficient MLPQ-32 package and use of ceramic bypass capacitors, minimize the required PCB area making the SC905 ideal for space-conscious portable applications.

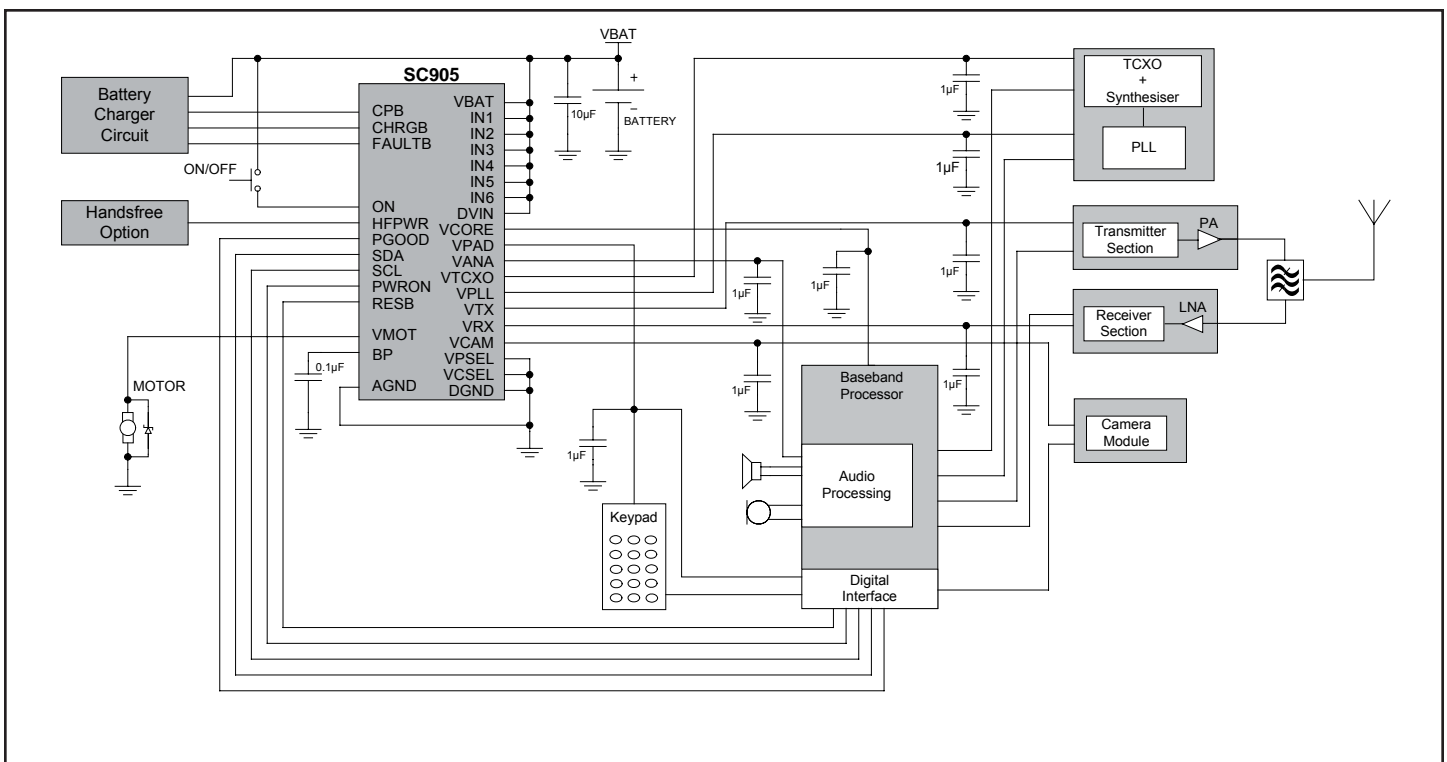
#### Features

- ◆ 9 LDO Linear Regulators
- ◆ CORE: 1.35V - 2.90V @ 300mA
- ◆ ANA: 2.55V - 2.90V @ 200mA
- ◆ PAD: 1.35V - 2.90V @ 300mA
- ◆ RX: 2.55V - 2.90V @ 150mA
- ◆ TX: 2.55V - 2.90V @ 150mA
- ◆ TCXO: 2.55V - 2.90V @ 80mA
- ◆ PLL: 2.55V - 2.90V @ 80mA
- ◆ Camera: 1.35V - 2.90V @ 100mA
- ◆ Motor Drive: 1.35V - 2.90V @ 150mA
- ◆ I<sup>2</sup>C Interface for Microprocessor Control
- ◆ Less than 1µA Quiescent Current in Shutdown
- ◆ 65dB PSRR for Analog LDOs
- ◆ Over-Temperature Protection
- ◆ Power-On Control
- ◆ Optional Interface for Controlling Semtech Battery Chargers
- ◆ Small 5mm x 5mm 32-Pin QFN Package

#### Applications

- ◆ CDMA Cellular Handsets
- ◆ Palmtop/Laptop Computers
- ◆ Battery Powered Equipment

#### Typical Application Circuit



**POWER MANAGEMENT**
**Absolute Maximum Ratings**

Exceeding the specifications below may result in permanent damage to the device or device malfunction. Operation outside of the parameters specified in the Electrical Characteristics section is not implied.

Parameter	Symbol	Maximum	Units
Input Supply Voltage	$V_{IN}$	-0.3 to +7	V
Digital Input Voltage	$V_{DIG}$	-0.3 to $V_{IN}+0.3$	V
Operating Ambient Temperature Range	$T_A$	-40 to +85	°C
Operating Junction Temperature Range	$T_J$	-40 to +125	°C
Peak IR Reflow Temperature	$T_{LEAD}$	260	°C
Storage Temperature	$T_{STG}$	-60 to +150	°C
Thermal Resistance Junction to Ambient <sup>(1)</sup>	$\theta_{JA}$	26	°C/W
ESD Protection Level <sup>(2)</sup>	ESD	2	kV

(1) Calculated from package in still air, mounted to 3" x 4.5", 4 layer FR4 PCB with thermal via under the exposed pad as per JESD51 standards.

(2) Tested according to JEDEC standard JESD22-A114-B.

**Electrical Characteristics**

Unless otherwise noted  $V_{IN} = 3.7V$ ,  $T_A = -40$  to  $+85^\circ C$ . Typical values are at  $T_A = +25^\circ C$ .

Parameter	Symbol	Condition	Min	Typ	Max	Units
<b>General</b>						
Supply Voltage	$V_{IN}$		2.7		5.5	V
Shutdown Current	$I_{SD}$	ON = 0V, HFPWR = 0V, PGOOD = 0V			1	$\mu A$
Quiescent Supply Current	$I_{SU}$	Default Start-up Mode		300		$\mu A$
	$I_{STBY}$	I <sup>2</sup> C, $V_{REF}$ Active, All Outputs Disabled		30	60	$\mu A$
Supply Bypass Capacitor	$C_{VCC}$	At Each Power Input Pin		1		$\mu F$
Start-Up Time	$t_{SU}$	$C_{BP} = 0.1\mu F$		25		ms
Under-Voltage Lockout	UVLO	Descending, Hysteresis = 50mV		2.5		V
Over-Temperature	OT	Hysteresis = 20°C		160		°C
<b>Digital Inputs</b>						
Digital Input Voltage <sup>(1)</sup>	$V_{IL}$				0.4	V
	$V_{IH}$		1.25			V
Digital Input Current	$I_{DIG}$	Logic Level High or Low	-0.2		0.2	$\mu A$
<b>Digital Outputs</b>						
Digital Output Voltage <sup>(2)</sup>	$V_{OL}$	$I_{SINK} = 1.2mA$		2	10	%VPAD
	$V_{OH}$	$I_{SOURCE} = 0.5mA$ , VPAD $\geq 1.8V$	90	98		%VPAD
<b>LDO Regulator (CORE) - 300mA</b>						
Output Voltage Accuracy <sup>(3)</sup>	$\Delta V_{OUT}$	$1.35V \leq V_{OUT} \leq 2.90V$ , $I_{OUT} = 1mA$ , $V_{OUT} + 0.35V \leq V_{IN} \leq 5.5V$	-75		+75	mV
Current Limit	$I_{LIM}$	$V_{CORE} = 0V$	350		900	mA
Default At Start-Up: ON	$V_{OUT-HI}$	VCSEL - High		1.80		V
	$V_{OUT-LO}$	VCSEL - Low		1.35		V

**POWER MANAGEMENT**
**Electrical Characteristics (Cont.)**

Parameter	Symbol	Condition	Min	Typ	Max	Units
<b>LDO Regulator (CORE) - 300mA (Cont.)</b>						
Line Regulation	REG <sub>LINE</sub>	I <sub>OUT</sub> = 1mA, V <sub>OUT</sub> +0.35V < V <sub>IN</sub> < 5.5V		2.5	12	mV
Load Regulation	REG <sub>LOAD</sub>	1mA < I <sub>OUT</sub> < 300mA		-3	-30	mV
Dropout Voltage	V <sub>DO</sub>	V <sub>OUT</sub> = 2.90V, I <sub>OUT</sub> = 300mA		300	350	mV
Power Supply Rejection Ratio	PSRR <sub>CORE</sub>	f = 10Hz - 1kHz, C <sub>OUT</sub> = 1μF, I <sub>OUT</sub> = 50mA		50		dB
<b>LDO Regulator (PAD) - 300mA</b>						
Output Voltage Accuracy <sup>(3)</sup>	ΔV <sub>OUT</sub>	1.35V ≤ V <sub>OUT</sub> ≤ 2.90V, I <sub>OUT</sub> = 1mA, V <sub>OUT</sub> +0.35V ≤ V <sub>IN</sub> ≤ 5.5V	-75		+75	mV
Current Limit	I <sub>LIM</sub>	V <sub>PAD</sub> = 0V	350		900	mA
Default at Start-up: ON	V <sub>OUT-HI</sub>	VPSEL - High		2.60		V
	V <sub>OUT-LO</sub>	VPSEL - Low		1.80		V
Line Regulation	REG <sub>LINE</sub>	I <sub>OUT</sub> = 1mA, V <sub>OUT</sub> +0.35V < V <sub>IN</sub> < 5.5V		2.5	12	mV
Load Regulation	REG <sub>LOAD</sub>	1mA < I <sub>OUT</sub> < 300mA		-3	-30	mV
Dropout Voltage	V <sub>DO</sub>	V <sub>OUT</sub> = 2.90V, I <sub>OUT</sub> = 300mA		300	350	mV
Power Supply Rejection Ratio	PSRR <sub>PAD</sub>	f = 10Hz - 1kHz, C <sub>OUT</sub> = 1μF, I <sub>OUT</sub> = 50mA		50		dB
<b>LDO Regulator (ANA) - 200mA</b>						
Output Voltage Accuracy <sup>(4)</sup>	ΔV <sub>OUT</sub>	2.55V ≤ V <sub>OUT</sub> ≤ 2.90V, I <sub>OUT</sub> = 1mA, V <sub>OUT</sub> +0.35V ≤ V <sub>IN</sub> ≤ 5.5V	-75		+75	mV
Current Limit	I <sub>LIM</sub>	V <sub>ANA</sub> = 0V	250		650	mA
Default At Start-up: ON	V <sub>OUT</sub>			2.60		V
Line Regulation	REG <sub>LINE</sub>	I <sub>OUT</sub> = 1mA, V <sub>OUT</sub> +0.35V < V <sub>IN</sub> < 5.5V		2.5	12	mV
Load Regulation	REG <sub>LOAD</sub>	1mA < I <sub>OUT</sub> < 200mA		-3	-20	mV
Dropout Voltage	V <sub>DO</sub>	V <sub>OUT</sub> = 2.90V, I <sub>OUT</sub> = 200mA		200	250	mV
Power Supply Rejection Ratio	PSRR <sub>ANA</sub>	f = 10Hz - 1kHz, C <sub>OUT</sub> = 1μF, I <sub>OUT</sub> = 50mA		65		dB
Output Voltage Noise	e <sub>n</sub>	f = 10Hz to 100kHz, I <sub>OUT</sub> = 50mA, C <sub>BP</sub> = 0.1μF, C <sub>OUT</sub> = 1μF		45		μV <sub>RMS</sub>
<b>LDO Regulator (TCXO) - 80mA</b>						
Output Voltage Accuracy <sup>(4)</sup>	ΔV <sub>OUT</sub>	2.55V ≤ V <sub>OUT</sub> ≤ 2.90V, I <sub>OUT</sub> = 1mA, V <sub>OUT</sub> +0.35V ≤ V <sub>IN</sub> ≤ 5.5V	-75		+75	mV
Current Limit	I <sub>LIM</sub>	V <sub>TCXO</sub> = 0V	250		650	mA
Default At Start-up: ON	V <sub>OUT</sub>			2.85		V
Line Regulation	REG <sub>LINE</sub>	I <sub>OUT</sub> = 1mA, V <sub>OUT</sub> +0.35V < V <sub>IN</sub> < 5.5V		2.5	12	mV
Load Regulation	REG <sub>LOAD</sub>	1mA < I <sub>OUT</sub> < 80mA		-3	-20	mV
Dropout Voltage	V <sub>DO</sub>	V <sub>OUT</sub> = 2.90V, I <sub>OUT</sub> = 80mA		200	250	mV
Power Supply Rejection Ratio	PSRR <sub>TCXO</sub>	f = 10Hz - 1kHz, C <sub>OUT</sub> = 1μF, I <sub>OUT</sub> = 50mA		65		dB

**POWER MANAGEMENT**
**Electrical Characteristics (Cont.)**

Parameter	Symbol	Condition	Min	Typ	Max	Units
<b>LDO Regulator (TCXO) - 80mA (Cont.)</b>						
Output Voltage Noise	$e_n$	$f = 10\text{Hz} - 100\text{kHz}, I_{\text{OUT}} = 50\text{mA},$ $C_{\text{BP}} = 0.1\mu\text{F}, C_{\text{OUT}} = 1\mu\text{F}$		45		$\mu\text{V}_{\text{RMS}}$
<b>LDO Regulator (TX) - 150mA</b>						
Output Voltage Accuracy <sup>(4)</sup>	$\Delta V_{\text{OUT}}$	$2.55\text{V} \leq V_{\text{OUT}} \leq 2.90\text{V}, I_{\text{OUT}} = 1\text{mA},$ $V_{\text{OUT}} + 0.35\text{V} \leq V_{\text{IN}} \leq 5.5\text{V}$	-75		+75	mV
Current Limit	$I_{\text{LIM}}$	$V_{\text{TX}} = 0\text{V}$	250		650	mA
Default At Start-up: OFF	$V_{\text{OUT}}$			2.85		V
Line Regulation	$\text{REG}_{\text{LINE}}$	$I_{\text{OUT}} = 1\text{mA}, V_{\text{OUT}} + 0.35\text{V} < V_{\text{IN}} < 5.5\text{V}$		2.5	12	mV
Load Regulation	$\text{REG}_{\text{LOAD}}$	$1\text{mA} < I_{\text{OUT}} < 150\text{mA}$		-3	-20	mV
Dropout Voltage	$V_{\text{DO}}$	$V_{\text{OUT}} = 2.90\text{V}, I_{\text{OUT}} = 150\text{mA}$		200	250	mV
Power Supply Rejection Ratio	$\text{PSRR}_{\text{TX}}$	$f = 10\text{Hz} - 1\text{kHz}, C_{\text{OUT}} = 1\mu\text{F}, I_{\text{OUT}} = 50\text{mA}$		65		dB
Output Voltage Noise	$e_n$	$f = 10\text{Hz} - 100\text{kHz}, I_{\text{OUT}} = 50\text{mA},$ $C_{\text{BP}} = 0.1\mu\text{F}, C_{\text{OUT}} = 1\mu\text{F}$		45		$\mu\text{V}_{\text{RMS}}$
<b>LDO Regulator (RX) - 150mA</b>						
Output Voltage Accuracy <sup>(4)</sup>	$\Delta V_{\text{OUT}}$	$2.55\text{V} \leq V_{\text{OUT}} \leq 2.90\text{V}, I_{\text{OUT}} = 1\text{mA},$ $V_{\text{OUT}} + 0.35\text{V} \leq V_{\text{IN}} \leq 5.5\text{V}$	-75		+75	mV
Current Limit	$I_{\text{LIM}}$	$V_{\text{RX}} = 0\text{V}$	250		650	mA
Default At Start-up: OFF	$V_{\text{OUT}}$			2.85		V
Line Regulation	$\text{REG}_{\text{LINE}}$	$I_{\text{OUT}} = 1\text{mA}, V_{\text{OUT}} + 0.35\text{V} < V_{\text{IN}} < 5.5\text{V}$		2.5	12	mV
Load Regulation	$\text{REG}_{\text{LOAD}}$	$1\text{mA} < I_{\text{OUT}} < 150\text{mA}$		-3	-20	mV
Dropout Voltage	$V_{\text{DO}}$	$V_{\text{OUT}} = 2.90\text{V}, I_{\text{OUT}} = 150\text{mA}$		200	250	mV
Power Supply Rejection Ratio	$\text{PSRR}_{\text{RX}}$	$f = 10\text{Hz} - 1\text{kHz}, C_{\text{OUT}} = 1\mu\text{F}, I_{\text{OUT}} = 50\text{mA}$		65		dB
Output Voltage Noise	$e_n$	$f = 10\text{Hz} - 100\text{kHz}, I_{\text{OUT}} = 50\text{mA},$ $C_{\text{BP}} = 0.1\mu\text{F}, C_{\text{OUT}} = 1\mu\text{F}$		45		$\mu\text{V}_{\text{RMS}}$
<b>LDO Regulator (CAM) - 100mA</b>						
Output Voltage Accuracy <sup>(3)</sup>	$\Delta V_{\text{OUT}}$	$1.35\text{V} \leq V_{\text{OUT}} \leq 2.90\text{V}, I_{\text{OUT}} = 1\text{mA}$ $V_{\text{OUT}} + 0.35\text{V} \leq V_{\text{IN}} \leq 5.5\text{V}$	-75		+75	mV
Current Limit	$I_{\text{LIM}}$	$V_{\text{CAM}} = 0\text{V}$	250		650	mA
Default At Start-up: OFF	$V_{\text{OUT}}$			1.80		V
Line Regulation	$\text{REG}_{\text{LINE}}$	$I_{\text{OUT}} = 1\text{mA}, V_{\text{OUT}} + 0.35\text{V} < V_{\text{IN}} < 5.5\text{V}$		2.5	12	mV
Load Regulation	$\text{REG}_{\text{LOAD}}$	$1\text{mA} < I_{\text{OUT}} < 100\text{mA}$		-3	-20	mV
Dropout Voltage	$V_{\text{DO}}$	$V_{\text{OUT}} = 2.90\text{V}, I_{\text{OUT}} = 100\text{mA}$		200	250	mV
Power Supply Rejection Ratio	$\text{PSRR}_{\text{CAM}}$	$f = 10\text{Hz} - 1\text{kHz}, C_{\text{OUT}} = 1\mu\text{F}, I_{\text{OUT}} = 50\text{mA}$		50		dB

**POWER MANAGEMENT**
**Electrical Characteristics (Cont.)**

Parameter	Symbol	Condition	Min	Typ	Max	Units
<b>LDO Regulator (PLL) - 80mA</b>						
Output Voltage Accuracy <sup>(4)</sup>	$\Delta V_{OUT}$	$2.55V \leq V_{OUT} \leq 2.90V, I_{OUT} = 1mA,$ $V_{OUT} + 0.35V \leq V_{IN} \leq 5.5V$	-75		+75	mV
Current Limit	$I_{LIM}$	$V_{PLL} = 0V$	250		650	mA
Default At Start Up: OFF	$V_{OUT}$			2.85		V
Line Regulation	$REG_{LINE}$	$I_{OUT} = 1mA, V_{OUT} + 0.35V < V_{IN} < 5.5V$		2.5	12	mV
Load Regulation	$REG_{LOAD}$	$1mA < I_{OUT} < 80mA$		-3	-20	mV
Dropout Voltage	$V_{DO}$	$V_{OUT} = 2.90V, I_{OUT} = 80mA$		200	250	mV
Power Supply Rejection Ratio	$PSRR_{PLL}$	$f = 10Hz - 1kHz, C_{OUT} = 1\mu F, I_{OUT} = 50mA$		65		dB
Output Voltage Noise	$e_n$	$f = 10Hz - 100kHz, I_{OUT} = 50mA,$ $C_{BP} = 0.1\mu F, C_{OUT} = 1\mu F$		45		$\mu V_{RMS}$
<b>LDO Regulator (MOT) - 150mA</b>						
Output Voltage Accuracy <sup>(3)</sup>	$\Delta V_{OUT}$	$1.35V \leq V_{OUT} \leq 2.90V, I_{OUT} = 1mA,$ $V_{OUT} + 0.35V \leq V_{IN} \leq 5.5V$	-75		+75	mV
Current Limit	$I_{LIM}$	$V_{MOT} = 0V$	250		650	mA
Default at Start Up: OFF	$V_{OUT}$			1.40		V
Line Regulation	$REG_{LINE}$	$I_{OUT} = 1mA, V_{OUT} + 0.35V < V_{IN} < 5.5V$		2.5	12	mV
Load Regulation	$REG_{LOAD}$	$1mA < I_{OUT} < 150mA$		-3	-20	mV
Dropout Voltage	$V_{DO}$	$V_{OUT} = 2.90V, I_{OUT} = 150mA$		200	250	mV
Power Supply Rejection Ratio	$PSRR_{MOT}$	$f = 10Hz - 1kHz, C_{OUT} = 1\mu F, I_{OUT} = 50mA$		50		dB

**POWER MANAGEMENT**
**Electrical Characteristics (Cont.)**

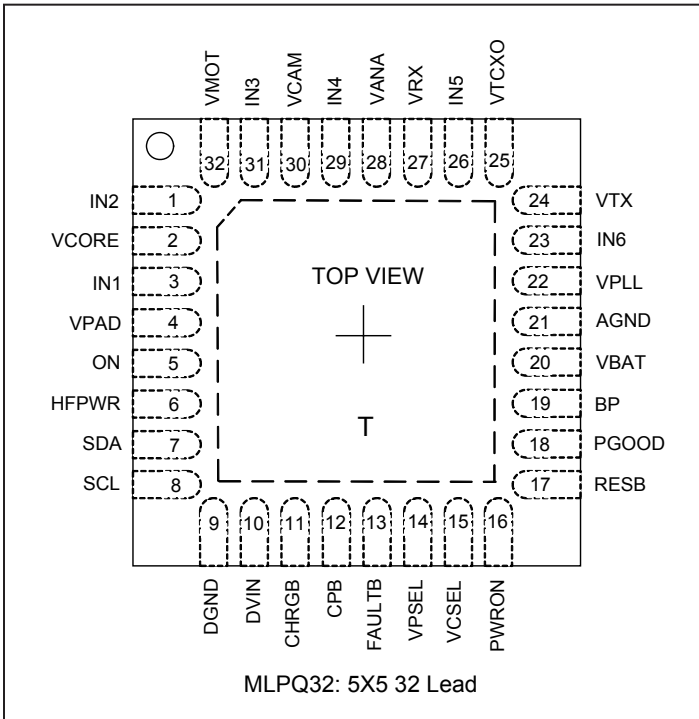
Parameter	Symbol	Condition	Min	Typ	Max	Units
<b>I<sup>2</sup>C Interface<sup>(5)</sup></b>						
Interface complies with slave mode I <sup>2</sup> C interface as described by Philips I <sup>2</sup> C specification version 2.1 dated January, 2000.						
Digital Input Voltage	V <sub>IL</sub>				0.4	V
	V <sub>IH</sub>		1.25			V
SDA Output Low Level		I <sub>DIN</sub> (SDA) ≤ 3mA			0.4	V
Digital Input Current	I <sub>DG</sub>		-0.2		0.2	μA
Hysteresis of Schmitt Trigger Inputs	V <sub>HYS</sub>			0.1		V
Maximum Glitch Pulse Rejection	t <sub>SP</sub>			50		ns
I/O Pin Capacitance	C <sub>IN</sub>			10		pF
<b>I<sup>2</sup>C Timing<sup>(5)</sup></b>						
Clock Frequency	f <sub>SCL</sub>			400	440	kHz
SCL Low Period	t <sub>LOW</sub>		1.3			μs
SCL High Period	t <sub>HIGH</sub>		0.6			μs
Data Hold Time	t <sub>HD_DAT</sub>		0			μs
Data Setup Time	t <sub>SU_DAT</sub>		100			ns
Setup Time for Repeated START Condition	t <sub>SU_STA</sub>		0.6			μs
Hold Time for Repeated START Condition	t <sub>HD_STA</sub>		0.6			μs
Setup Time for STOP Condition	t <sub>SU_STO</sub>		0.6			μs
Bus-Free Time Between STOP and START	t <sub>BUF</sub>		1.3			μs
RESET Timeout Delay	t <sub>RD</sub>		75	100	125	ms
Power-up Delay Between CORE, ANA, PAD, TXCO	t <sub>DELAY</sub>	Delay Between Each Output Activating		100		μs
Maximum Glitch Pulse Rejection	t <sub>SP</sub>			50		ns
Interface Start-up Time	t <sub>EN</sub>	Bus Start-up Time After EN Pin is Pulled High			350	μs

**Notes:**

- (1) Applies to pin names, CPB, CHRGB, FAULTB, ON, HFPWR, PGOOD, VCSEL, VPSEL.
- (2) Applies to pin names, PWRON, RESB.
- (3) For V<sub>OUT</sub> settings see Table A.
- (4) For V<sub>OUT</sub> settings see Table B.
- (5) Guaranteed by design.

**POWER MANAGEMENT**

**Pin Configuration**



**Ordering information**

DEVICE	PACKAGE
SC905MLTRT <sup>(1)</sup>	MLP 5x5 32L <sup>(2)</sup>
SC905EVB	Evaluation Board

Notes:

(1) Available in tape and reel only. A reel contains 3,000 devices.

(2) Available in lead-free package only. Device is WEEE and RoHS compliant.

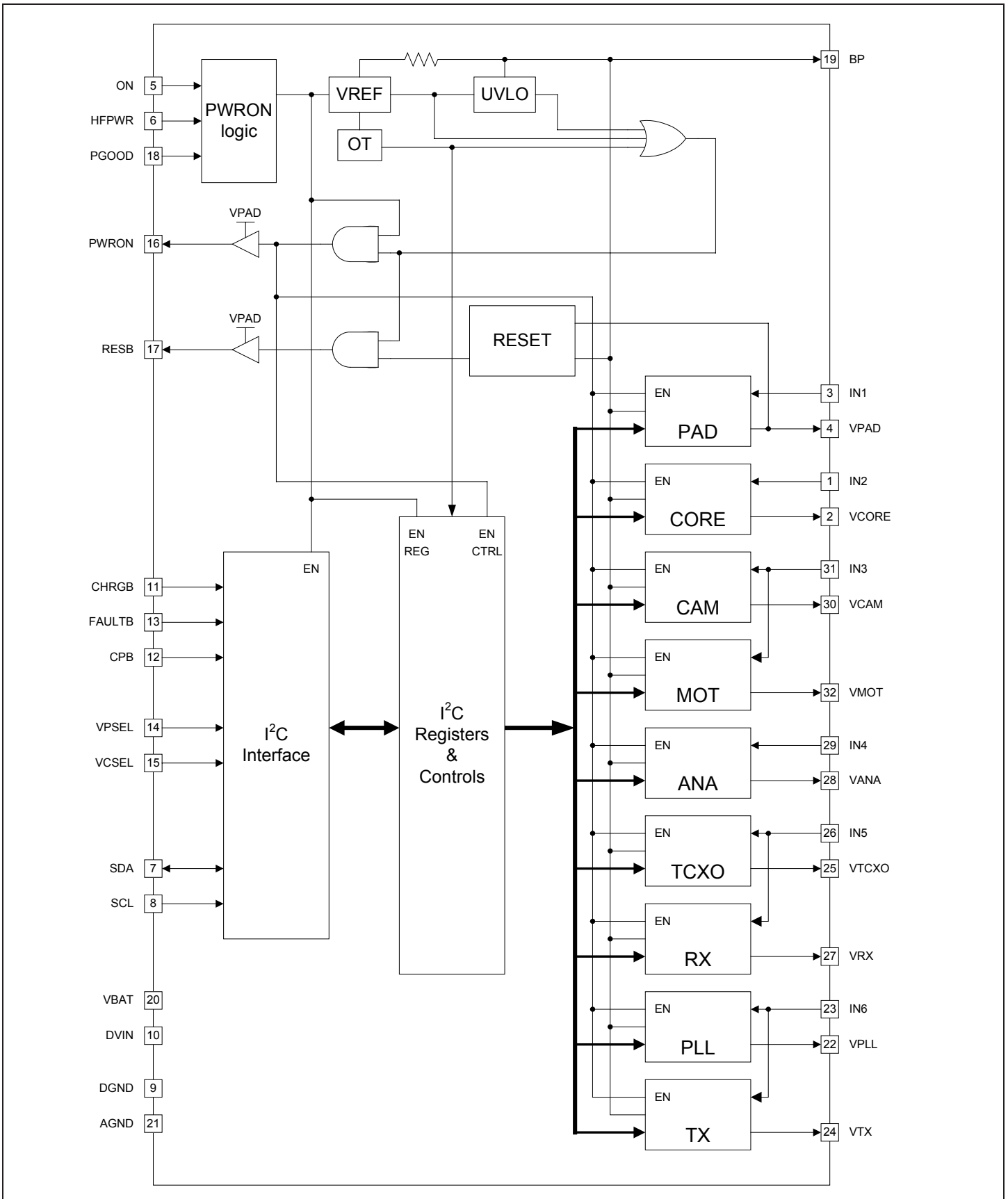
**POWER MANAGEMENT**
**Pin Descriptions**

Pin #	Pin Name	I/O	Pin Function
1	IN2	Input	Input voltage terminal to VCORE LDO.
2	VCORE	Output	300mA LDO output for MSM core processor supply.
3	IN1	Input	Input voltage terminal to VPAD LDO.
4	VPAD	Output	300mA LDO PAD output to MSM I/O circuits.
5	ON	Input	Active high power on/off key. When the push button is closed it is shorted to battery.
6	HFPWR	Input	Power on input from accessory, active high.
7	SDA	Input/Output	Bi-directional open drain digital I/O. I <sup>2</sup> C serial data.
8	SCL	Input	Digital input. I <sup>2</sup> C serial clock.
9	DGND	-	Digital ground.
10	DVIN	Input	Main digital input voltage terminal.
11	CHRGB	Input	Logic input. State is recorded in bit 1 of the status register.
12	CPB	Input	Logic input. State is recorded in bit 0 of the status register.
13	FAULTB	Input	Logic input. State is recorded in bit 2 of the status register.
14	VPSEL	Input	Default control for VPAD LDO supply. Ground for 1.80V default, tie high for 2.60V.
15	VCSEL	Input	Default control for VCORE LDO supply. Ground for 1.35V default, tie high for 1.80V.
16	PWRON	Output	Logic OR output of ON, HFPWR and PGOOD. Active high.
17	RESB	Output	Reset output. Active low.
18	PGOOD	Input	Logic input signal from MSM to indicate power is good, latches the SC905 on. Low disables the SC905.
19	BP	Output	LDO bypass output. Bypass with a 0.1µF capacitor.
20	VBAT	Input	Main battery supply input terminal.
21	AGND	-	Analog ground pin.
22	VPLL	Output	LDO output for PLL power.
23	IN6	Input	Input voltage terminal for VPLL & VTX LDOs.
24	VTX	Output	LDO output for transmitter power.
25	VTCXO	Output	LDO output for TCXO power.
26	IN5	Input	Input voltage terminal for VTCXO & VRX LDOs.
27	VRX	Output	LDO output for receiver power.
28	VANA	Output	LDO output for analog power.
29	IN4	Input	Input voltage terminal to VANA LDO.
30	VCAM	Output	LDO output for camera power.
31	IN3	Input	Input voltage terminal to VCAM & VMOT LDOs.
32	VMOT	Output	LDO output voltage for vibrator motor power. Can also be a general purpose output.
T	Thermal Pad	-	Pad for heatsinking purposes. Connect to ground plane using multiple vias. Not connected internally.



POWER MANAGEMENT

Block Diagram



## POWER MANAGEMENT

### Applications Information

#### General Description

The SC905 includes 9 low dropout (LDO) voltage regulators to provide complete power regulation capability for CDMA handsets or other portable electronic equipment.

Five of the LDOs are designed to be used with analog circuitry such as audio, radio frequency, or oscillator circuits. These devices have very low noise levels and high power supply rejection. The output voltage range for these LDOs is 2.55V to 2.9V in 50mV steps. The outputs for these LDOs are VANA, VTCXO, VPLL, VTX, and VRX.

Three other LDOs are general purpose regulators designed to be used with digital circuits. The noise requirements for these LDOs are relaxed, but their voltage range is expanded to cover the wide range of voltages needed for different types of functions. The outputs for these LDOs are VCORE, VPAD, and VCAM.

The VMOT output is specifically designed to drive a vibrator motor. This output can supply up to 150mA with voltage settings from 1.35V to 2.9V, allowing designers the flexibility to select the output voltage that provides maximum vibration. When not used in conjunction with a vibrator, this output can be used as a general purpose digital regulator.

#### Power-On Control

The SC905 is activated when the ON pin is pulled high, provided that the input voltage is within the specified operating range. The ON pin responds to logic-high edge triggering to power up the handset. The rising edge ON signal is latched when the CORE, PAD, ANA, and TCXO LDOs are turned on and PGOOD goes high. When the PAD LDO output voltage reaches 77% of its regulation point, the reset timer starts and the RESB signal transitions high after delay of typically 100ms. After a successful power up sequence, any subsequent condition that toggles RESB (e.g. VPAD short-circuit, over-temperature, under voltage lockout, I<sup>2</sup>C disable of VPAD) will see a delay in the RESB transition back to high of typically 250ms. The microprocessor then raises PGOOD high to keep the SC905 powered on. There is no time limit for the MSM to activate PGOOD. If the MSM fails to raise PGOOD before the ON switch is released, the SC905 will transition back into standby mode.

Once the phone is powered on, the SC905 can only be directly powered off when the PGOOD signal goes low.

Therefore, if the ON pin transitions high when the PGOOD signal is high, the LDOs and RESB signal will remain in their state until the microprocessor pulls the PGOOD signal low. Once the PGOOD signal is low, all the LDOs immediately power off and all the logic resets to the shutdown condition. The SC905 can be indirectly powered off by using the I<sup>2</sup>C command to turn off the core supply. This will result in a loss of power to the MSM causing PGOOD to go low, thus disabling the SC905.

The HFPWR pin operates identically to the ON pin. This pin provides a second source for activating power so that remote devices such as battery chargers or system connector pins can be used to enable the device.

#### LDO Programmable Output Voltage

The output voltage of each LDO regulator is programmable. Each LDO has a program voltage register that can be accessed through the I<sup>2</sup>C interface and the output voltage adjusted as necessary. (See the Tables on page 14 and 15 for more information.)

#### ON/OFF Control Register

Each individual LDO may be turned on or off by accessing the ON/OFF control register. LDOs are turned on by setting their respective on/off bits to 1 and disabled by setting the on/off bits to 0. This allows for on/off control with a single write command.

When an on/off bit is toggled, the registered data is maintained. However, all programmed information will be lost when the PGOOD input goes low.

#### VCSEL & VPSEL Pin

The VCSEL & VPSEL pins set the default voltage of CORE and PAD LDOs respectively. When the VCSEL pin is set to VIN the default voltage for the CORE LDO is 1.80V. When this pin is set to GND the default voltage for the CORE LDO is 1.35V. Likewise, when the VPSEL pin is set to VIN the default voltage for the PAD LDO is 2.60V. When this pin is set to GND, the default voltage for the PAD LDO is 1.80V.

In both cases the VCSEL and VPSEL pins must be tied to GND or VIN prior to the device being powered on. This voltage cannot change “on the fly” by switching the pin voltage between VIN or GND once the device is on.

## POWER MANAGEMENT

### Applications Information (Cont.)

The voltage can be changed from its default state after start-up by writing to the appropriate voltage code register.

#### Active Shutdown

The shutdown control bits determine how the on-chip active shutdown switches behave. Register 7 is the active shutdown control register and is used to control the shutdown behavior. Each LDO has a specific shutdown bit assigned to it. When the active shutdown bit is enabled (set to 1), the output capacitance on the LDO output is discharged by an on-chip FET when the LDO is disabled. When the active shutdown bit is disabled (set to 0), the output capacitance on the LDO output is discharged by the load. The default state for each LDO active shutdown bit is on.

#### Default Status Bit

In many multi-threaded environments it is necessary to maintain synchronization between the host micro-controller and the target IC. The SC905 has a default status bit (DSB) that will facilitate this task. The DSB can be useful in keeping the MSM and the SC905 synchronized. However, this is only useful if the MSM is powered by an external switching regulator such as the SC190.

The DSB is bit 7 of register 0, and shares this register space with the PAD voltage control bits. The DSB is only set to 1 during power-up to indicate that the part is set to the default state. Moreover, the DSB cannot be written to a 1 through the I<sup>2</sup>C interface the way the other bits in this register can; it can only be cleared to 0 through the I<sup>2</sup>C interface. This feature prevents a software race condition by always writing to register 0 with bit 7 high when changing the PAD control voltage. To clear the bit simply write a 0 to bit 7.

#### Applying the DSB

Upon power-up, the SC905 LDOs and internal registers are set to their default state. The DSB is set to a 1 to indicate that the SC905 is in its default state. Upon reading this defaulted state condition, the MSM knows to perform whatever synchronization is needed to set the SC905 into a known user state. This user state is entered by a two-stage process.

1) The MSM writes a 0 to the DSB indicating its desire to modify the state of the SC905. It then writes all of the

correct register information to the SC905 to set it to the user state.

2) The MSM reads back all of the information to verify the data. Then it reads back the DSB again to ensure it is still set to 0. This verifies that no reset took place during the time that the multiple writes and read verifications happened. If the DSB has been reset to 1, this process needs to be repeated since the chip was reset sometime during the initialization. Once the MSM and the SC905 are synchronized, the DSB can be read back as a status check periodically, as needed. If it is ever set back to the default state, a new synchronization process is required. This handshake-style protocol makes sure that the MSM and SC905 are always synchronized.

#### LDO Power-On Sequence

When the SC905 first turns on, the four LDOs that default on are sequenced in the following fashion: CORE is the first to turn on, then PAD, then ANA and finally TCXO. During the power-on sequence, each LDO has a 100 $\mu$ s delay from one LDO turning on to the other. This process eliminates large voltage spikes across the battery supply during power-up. For further information on LDO power on sequencing, refer to the Timing Diagram on page 17.

#### Protection Circuitry

The SC905 contains protection circuitry that prevents the device from operating in an unspecified state. These include Under-voltage Lockout Protection, Over-temperature Protection and Short-circuit Protection.

#### Under-Voltage Lockout

The SC905 provides an under-voltage lockout (UVLO) circuit to protect the device from operating in an unknown state if the input voltage supply is too low.

When the battery voltage drops below the UVLO threshold, as defined in the Electrical Characteristics section, the LDOs are disabled and RESB is held low. When the battery voltage is increased above the hysteresis level, the LDOs are re-enabled into their previous states, provided PGOOD has remained high. If PGOOD goes low, the SC905 will shut down. When powering-up with a battery voltage below the UVLO threshold, RESB will be held low.

**POWER MANAGEMENT**
**Applications Information (Cont.)**
**Over-Temperature Protection**

The SC905 provides an internal over-temperature (OT) protection circuit that monitors the internal junction temperature. When the temperature exceeds the OT threshold as defined in the Electrical Characteristics section, the OT protection disables all the LDO outputs, holds the RESB signal low and sets the OTF bit low in the status register. When the junction temperature drops below the hysteresis level, the OT protection resets the OTF bit high and re-enables all the LDOs in their previous states, provided PGOOD has remained high. If PGOOD goes low, the SC905 will shut down. This is only useful if the MSM is not powered by the SC905, since during an OT fault the MSM will lose power. An external switching regulator such as the SC190A could power the MSM in the case where monitoring the OTF bit is desired.

**Short-Circuit Protection**

Each LDO output has short-circuit protection. If a short is applied to any output, the output voltage will drop and the output current will be limited to the short circuit current until the short is removed.

**Interfacing to Semtech Battery Chargers**

The SC905 is designed to interface with Semtech battery chargers by providing three control inputs that map the state of the controls to register bits so the host processor can monitor the charger's status via the I<sup>2</sup>C interface. For open-drain control outputs from the charger, pull-up resistors must be connected to the lines for the SC905 registers to display the correct status.

**Status Register**

The status register monitors these inputs for changes, and the MSM can periodically poll this register to determine the status of the charger. This is a read-only register. This register is useful when the MSM needs to determine charging status before performing an LCD update.

The MSM can control other aspects of the charger with general purpose I/O. These include enable/disable and charge time-out functions. Many of the chargers functions can be statically set and do not need MSM intervention. The amount of MSM intervention is determined by the intended application.

The following table is a summary of the status register inputs and their functions:

CONDITION	FUNCTION
FAULTB is Low	Charger Fault
CPB is Low	USB or AC Charger Present
CHRGB is Low	Charging in Progress
CHRGB & FAULTB is Low	Battery Fault

**Layout Considerations**

The PCB layout associated with the SC905 is straight forward, with the main consideration being given to the value and position of the input bypass capacitors. The device itself has eight input voltage pins which can be powered from a single supply or from a number of individual supplies depending on how much copper is available on the input voltage feed track and how much real estate is available on the PCB for components. If all the supply inputs are fed from one single supply trace or from a power plane, a 10µF low ESR capacitor or two 4.7µF low ESR capacitors should be used. Larger input capacitance and lower ESR provide better supply noise rejection and line transient response. The copper trace to the inputs should be fairly thick in order to keep trace inductance to a minimum and the capacitors should be located as close to the SC905 as possible. If the supply trace is thin then the inputs should be treated as if they were powered from individual supplies, each input should be bypassed by at least one 1µF low ESR capacitor located very close to each input pin.

The SC905 is designed to have excellent stability with a minimum output capacitance of 1µF. Low ESR ceramic capacitors are recommended and should be located as close to the LDO output pins as possible.

**POWER MANAGEMENT**
**Register Map**

Register Name	Register Address	Bit 7		Bit 6		Bit 5		Bit 4		Bit 3		Bit 2		Bit 1		Bit 0	
VPAD	0	DSB <sup>(1)</sup>		X		X		VPAD4		VPAD3		VPAD2		VPAD1		VPAD0	
		1	0														
		<b>Default State</b>	User State														
VCORE	1	X		X		X		VCORE4		VCORE3		VCORE2		VCORE1		VCORE0	
VMOT	2	VMOT_EN		VMOT Active SHDN		X		VMOT4		VMOT3		VMOT2		VMOT1		VMOT0	
		1	0	1	0												
		<b>ON</b>	<b>OFF</b>	<b>ON</b>	<b>OFF</b>												
VANA/VCAM	3	VANA2		VANA1		VANA0		VCAM4		VCAM3		VCAM2		VCAM1		VCAM0	
VTCXO/VRX	4	X		VRX2		VRX1		VRX0		X		VTCXO2		VTCXO1		VTCXO0	
VPLL/VTX	5	X		VTX2		VTX1		VTX0		X		VPLL2		VPLL1		VPLL0	
ON/OFF CONTROL	6	VPAD_EN		VCORE_EN		VANA_EN		VCAM_EN		VTCXO_EN		VPLL_EN		VTX_EN		VRX_EN	
		1	0	1	0	1	0	1	0	1	0	1	0	1	0	1	0
		<b>ON</b>	<b>OFF</b>	<b>ON</b>	<b>OFF</b>	<b>ON</b>	<b>OFF</b>	<b>ON</b>	<b>OFF</b>	<b>ON</b>	<b>OFF</b>	<b>ON</b>	<b>OFF</b>	<b>ON</b>	<b>OFF</b>	<b>ON</b>	<b>OFF</b>
ACTIVE <sup>(2)</sup> SHUTDOWN	7	VPAD Active SHDN		VCORE Active SHDN		VANA Active SHDN		VCAM Active SHDN		VTCXO Active SHDN		VPLL Active SHDN		VTX Active SHDN		VRX Active SHDN	
		1	0	1	0	1	0	1	0	1	0	1	0	1	0	1	0
		<b>ON</b>	<b>OFF</b>	<b>ON</b>	<b>OFF</b>	<b>ON</b>	<b>OFF</b>	<b>ON</b>	<b>OFF</b>	<b>ON</b>	<b>OFF</b>	<b>ON</b>	<b>OFF</b>	<b>ON</b>	<b>OFF</b>	<b>ON</b>	<b>OFF</b>
STATUS (READ ONLY)	8	X		X		X		X		OTF		FAULTB		CHRGB		CPB	
		1	0	1	0	1	0	1	0	1	0	1	0	1	0	1	0
		<b>OK</b>	<b>FAULT</b>	<b>OK</b>	<b>FAULT</b>	<b>OFF</b>	<b>ON</b>	<b>OFF</b>	<b>ON</b>								

Defaults are indicated in **BOLD**.

**SC905 Slave Address:**

DEVICE ADDRESS							R/W
0	0	0	1	0	0	0	<b>X</b>

**Notes:**

(1) The default status bit (DSB) is set to 1 only when the SC905 is enabled by either the HFPWR pin or the ON pin being pulled high, and it cannot be set to one through the I<sup>2</sup>C interface. When changing the VPAD control voltage, always write to register 0 with bit seven high. Set bit seven low only when the DSB is to be cleared by the MSM. This will prevent any software race condition in a multi-tasking environment. See the applications section for more information on using the DSB.

(2) The Active Shutdown defaults ON at power-up, but the registers maintain their settings as the LDOs are enabled and disabled during normal operation.

**POWER MANAGEMENT**
**Register Map (Cont.)**
**Digital LDO Voltage Table A**

A 5-bit linear DAC controls the output voltage of each LDO. The DAC and error-amp gain are scaled so that the LSB size at the output is 50mV. Output voltage can be set by writing the proper code to the desired LDO register. See Table A for the bitcodes and their corresponding voltages.

**TABLE A - Output Voltage Code Bits for VCORE, VPAD, VMOT and VCAM**

X4	X3	X2	X1	X0	LDO Output Voltage
0	0	0	0	0	1.35V
0	0	0	0	1	1.40V
0	0	0	1	0	1.45V
0	0	0	1	1	1.50V
0	0	1	0	0	1.55V
0	0	1	0	1	1.60V
0	0	1	1	0	1.65V
0	0	1	1	1	1.70V
0	1	0	0	0	1.75V
0	1	0	0	1	1.80V
0	1	0	1	0	1.85V
0	1	0	1	1	1.90V
0	1	1	0	0	1.95V
0	1	1	0	1	2.00V
0	1	1	1	0	2.05V
0	1	1	1	1	2.10V
1	0	0	0	0	2.15V
1	0	0	0	1	2.20V
1	0	0	1	0	2.25V
1	0	0	1	1	2.30V
1	0	1	0	0	2.35V
1	0	1	0	1	2.40V
1	0	1	1	0	2.45V
1	0	1	1	1	2.50V
1	1	0	0	0	2.55V
1	1	0	0	1	2.60V
1	1	0	1	0	2.65V
1	1	0	1	1	2.70V
1	1	1	0	0	2.75V
1	1	1	0	1	2.80V
1	1	1	1	0	2.85V
1	1	1	1	1	2.90V



**POWER MANAGEMENT**
**Register Map (Cont.)**
**Analog LDO Voltage Table B**

The bit code controls the output voltage of each LDO. The LSB size at the output is 50mV. Output voltage can be set by writing the proper code to the desired LDO register. See Table B for the bitcodes and their corresponding voltages.

**TABLE B - Output Voltage Code Bits for LDOs VANA, VTCX0, VTX, VRX, VPLL**

X2	X1	X0	LDO Output Voltage
0	0	0	2.55V
0	0	1	2.60V
0	1	0	2.65V
0	1	1	2.70V
1	0	0	2.75V
1	0	1	2.80V
1	1	0	2.85V
1	1	1	2.90V

**The I<sup>2</sup>C General Specification**

The SC905 is a read-write slave-mode I<sup>2</sup>C device and complies with the Philips I<sup>2</sup>C standard Version 2.1 dated January, 2000. The SC905 has eight user-accessible internal 8-bit registers. The I<sup>2</sup>C interface has been designed for program flexibility, in that once the slave address has been sent to the SC905 enabling it to be a slave transmitter/receiver, any register can be written or read independently of each other. While there is no auto increment/decrement capability in the SC905 I<sup>2</sup>C logic, a tight software loop can be designed to randomly access the next register independent of which register you begin accessing. The start and stop commands frame the data-packet and the repeat start condition is allowed if necessary.

**SC905 Limitations to the I<sup>2</sup>C specifications:**

Seven bit addressing is used and ten bit addressing is not allowed. Any general call address will be ignored by the SC905. The SC905 is not CBUS compatible. The SC905 can operate in standard mode (100kbit/s) or fast mode (400kbit/s).

**Supported Formats:**
**Direct Format - Write**

The simplest format for an I<sup>2</sup>C write is given below. After the start condition [S], the slave address is sent, followed by an eighth bit indicating a write. The SC905 I<sup>2</sup>C then acknowledges that it is being addressed, and the master responds with an 8 bit data byte consisting of the register address. The slave acknowledges and the master sends the appropriate 8 bit data byte. Once again the slave acknowledges and the master terminates the transfer with the stop condition [P].

**POWER MANAGEMENT**

**Using the I<sup>2</sup>C Serial Port**

**I<sup>2</sup>C Direct Format - Write**



S: Start Condition  
 W: Write = '0'  
 A: Acknowledge (sent by slave)  
 P: Stop condition

Slave Address: 7 bit  
 Register Address: 8 bit  
 Data: 8 bit

**Combined Format - Read**

After the start condition [S], the slave address is sent, followed by an eighth bit indicating a write. The SC905 I<sup>2</sup>C then acknowledges that it is being addressed, and the master responds with an 8 bit data byte consisting of the register address. The slave acknowledges and the master sends the repeated start condition [Sr]. Once again, the slave address is sent, followed by an eighth bit indicating a read. The slave responds with an acknowledge and the previously addressed 8 bit data byte; the master then sends a non-acknowledge (NACK). Finally, the master terminates the transfer with the stop condition [P].

**I<sup>2</sup>C Combined Format - Read**



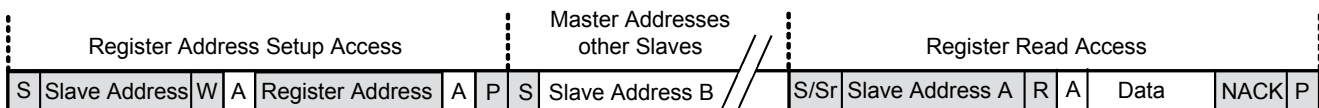
S: Start Condition  
 W: Write = '0'  
 R: Read = '1'  
 A: Acknowledge (sent by slave)  
 NACK: Non-Acknowledge (sent by master)  
 Sr: Repeated Start Condition  
 P: Stop condition

Slave Address: 7 bit  
 Register Address: 8 bit  
 Data: 8 bit

**Stop Separated Reads**

Stop-separated reads can also be used. This format allows a master to set up the register address pointer for a read and return to that slave at a later time to read the data. In this format the slave address followed by a write command are sent after a start [S] condition. The SC905 then acknowledges it is being addressed, and the master responds with the 8-bit register address. The master sends a stop or restart condition and may then address another slave. After performing other tasks, the master can send a start or restart condition to the SC905 with a read command. The SC905 acknowledges this request and returns the data from the register location that had previously been set up.

**I<sup>2</sup>C Stop Separated Format - Read**



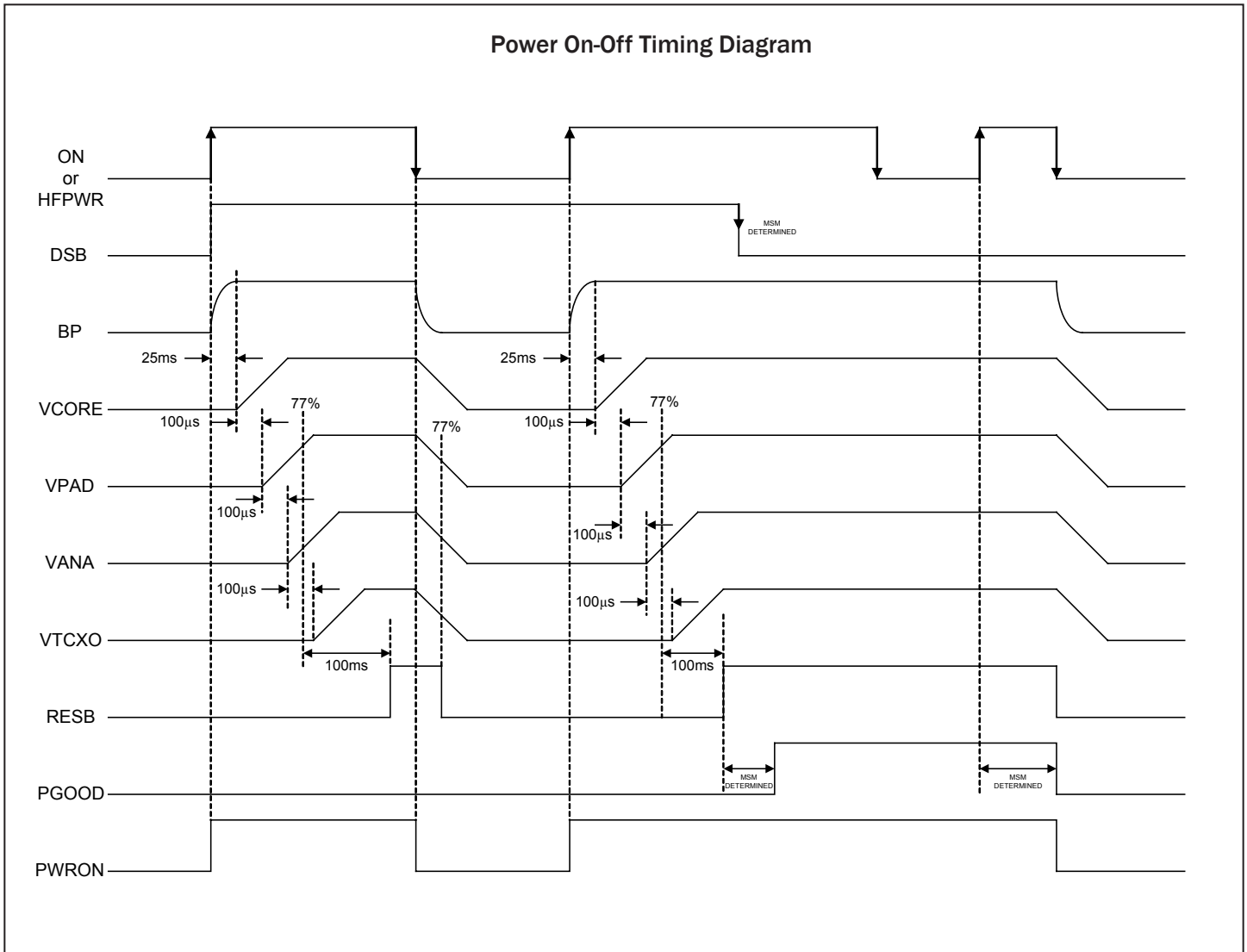
S: Start Condition  
 W: Write = '0'  
 R: Read = '1'  
 A: Acknowledge (sent by slave)  
 NACK: Non-Acknowledge (sent by master)  
 Sr: Repeated Start Condition  
 P: Stop condition

Slave Address: 7 bit  
 Register Address: 8 bit  
 Data: 8 bit



POWER MANAGEMENT

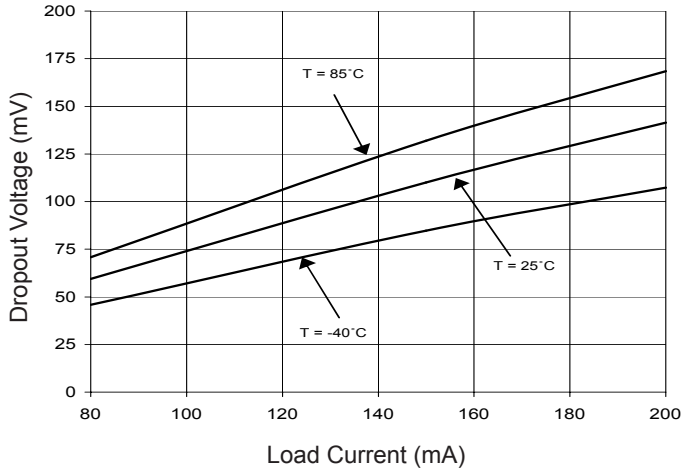
Timing Diagram



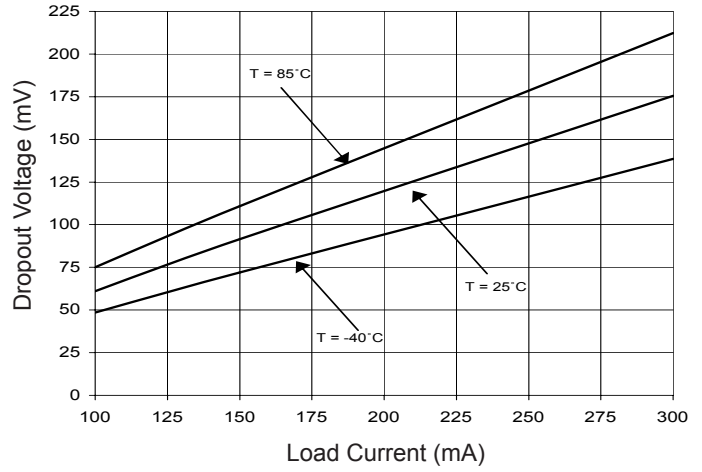
POWER MANAGEMENT

Typical Characteristics

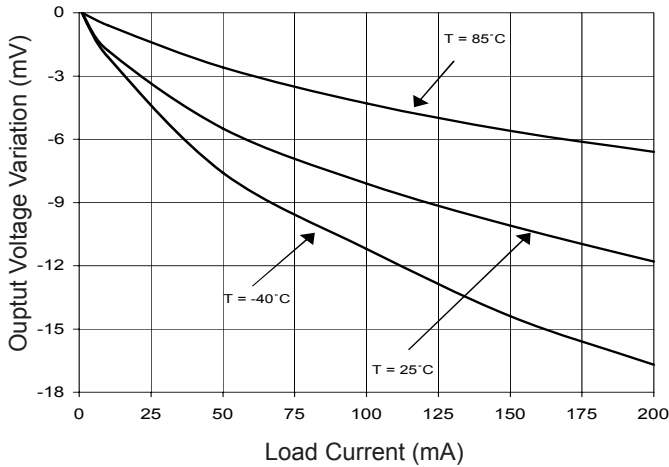
Dropout Voltage vs. Load Current (Analog LD0s)



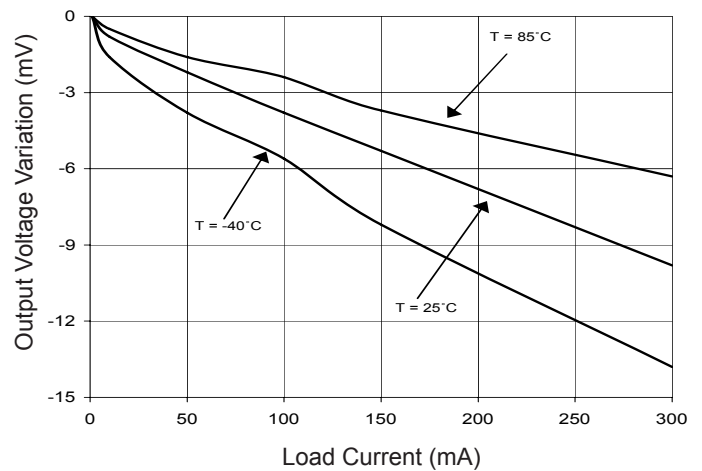
Dropout Voltage vs. Load Current (Digital LD0s)



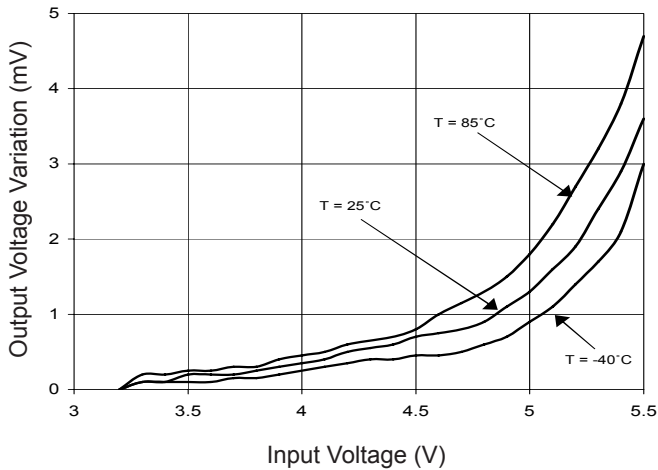
Load Regulation (Analog LD0s) VIN = 3.7V



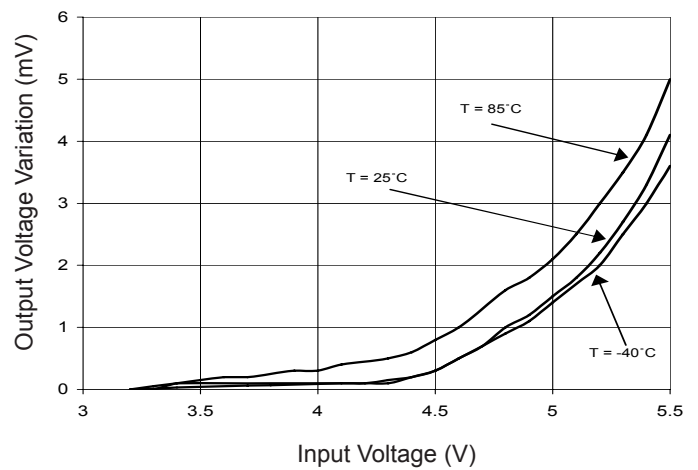
Load Regulation (Digital LD0s) VIN = 3.7V



Line Regulation (Analog LD0s) Load Current = 1mA



Line Regulation (Digital LD0s) Load Current = 1mA

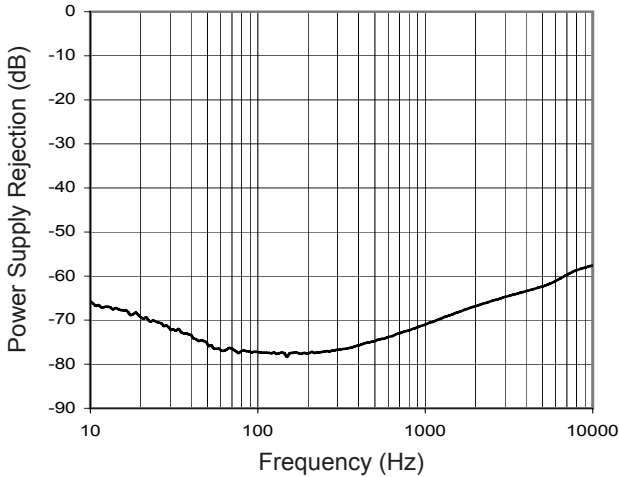


**POWER MANAGEMENT**

**Typical Characteristics (Cont.)**

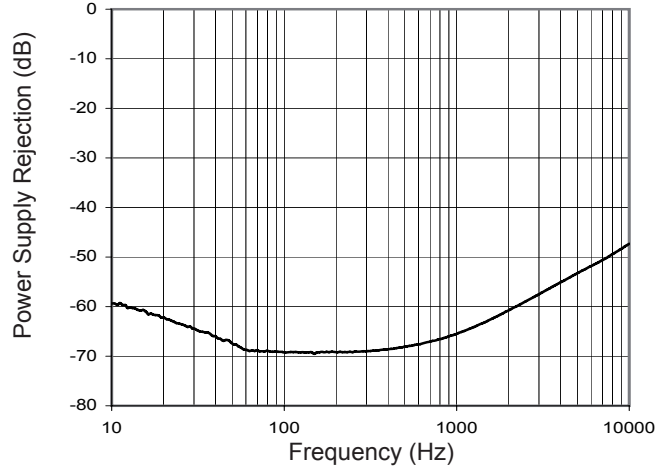
**PSRR vs. Frequency (Analog LDOs)**

$V_{OUT} = 2.90V, V_{IN} = 3.7V, \text{Load Current} = 50mA$

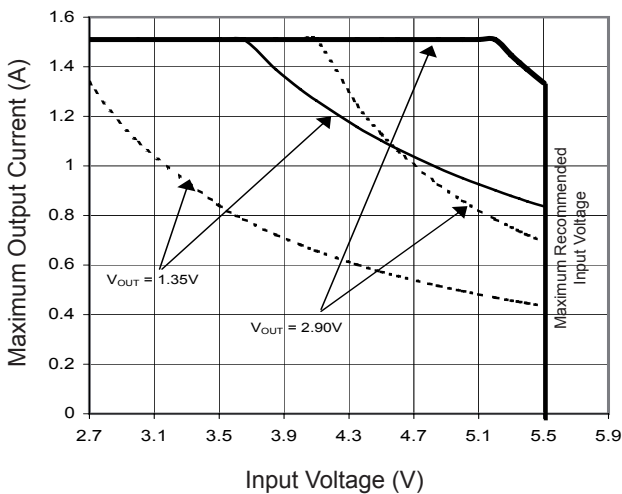


**PSRR vs. Frequency (Digital LDOs)**

$V_{OUT} = 2.90V, V_{IN} = 3.7V, \text{Load Current} = 50mA$

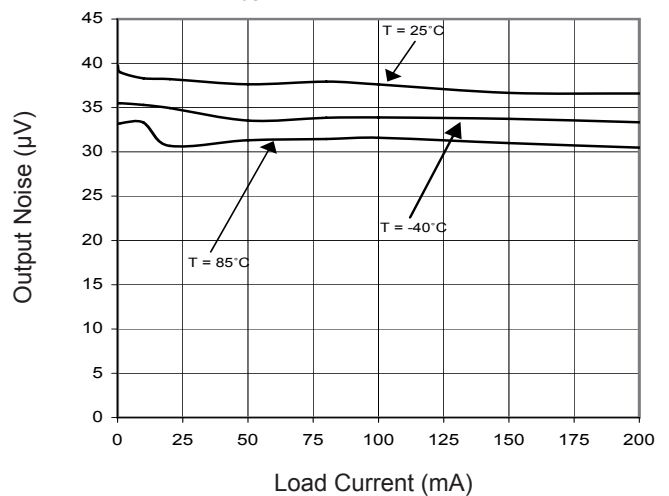


**Safe Operating Limits**



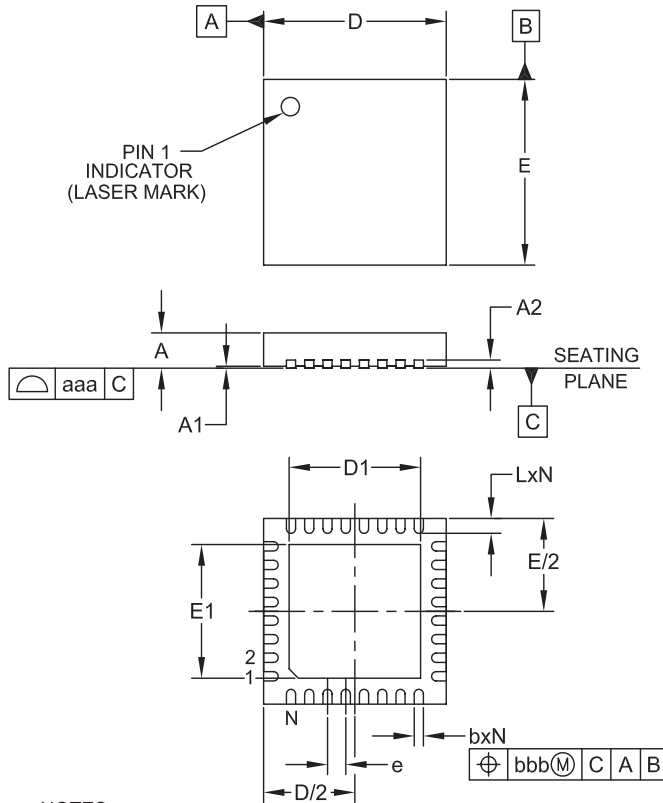
**Output Noise vs. Load Current (Analog LDOs)**

$V_{OUT} = 2.90V, V_{IN} = 3.7V$



POWER MANAGEMENT

Outline Drawing - MLPQ-32 5x5



DIM	INCHES			MILLIMETERS		
	MIN	NOM	MAX	MIN	NOM	MAX
A	.031	-	.039	0.80	-	1.00
A1	.000	-	.002	0.00	-	0.05
A2	-	(.008)	-	-	(0.20)	-
b	.007	.010	.012	0.18	0.25	0.30
D	.193	.197	.201	4.90	5.00	5.10
D1	.130	.136	.140	3.30	3.45	3.55
E	.193	.197	.201	4.90	5.00	5.10
E1	.130	.136	.140	3.30	3.45	3.55
e	.020 BSC			0.50 BSC		
L	.012	.016	.020	0.30	0.40	0.50
N	32			32		
aaa	.003			0.08		
bbb	.004			0.10		

NOTES:

1. CONTROLLING DIMENSIONS ARE IN MILLIMETERS (ANGLES IN DEGREES).
2. COPLANARITY APPLIES TO THE EXPOSED PAD AS WELL AS THE TERMINALS.

Marking Information

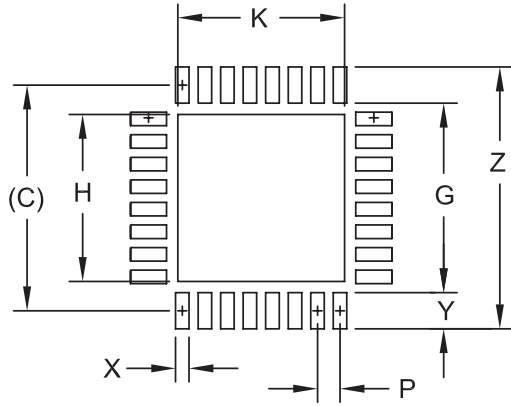
Top Marking



yyww = Date Code (Example: 0552)  
 xxxxx = Semtech Lot Number (Example: E90101-100)

**POWER MANAGEMENT**

**Land Pattern - MLPQ-32 5x5**



DIMENSIONS		
DIM	INCHES	MILLIMETERS
C	(.197)	(5.00)
G	.165	4.20
H	.146	3.70
K	.146	3.70
P	.020	0.50
X	.012	0.30
Y	.031	0.80
Z	.228	5.80

**NOTES:**

1. CONTROLLING DIMENSIONS ARE IN MILLIMETERS (ANGLES IN DEGREES).
2. THIS LAND PATTERN IS FOR REFERENCE PURPOSES ONLY. CONSULT YOUR MANUFACTURING GROUP TO ENSURE YOUR COMPANY'S MANUFACTURING GUIDELINES ARE MET.
3. THERMAL VIAS IN THE LAND PATTERN OF THE EXPOSED PAD SHALL BE CONNECTED TO A SYSTEM GROUND PLANE. FAILURE TO DO SO MAY COMPROMISE THE THERMAL AND/OR FUNCTIONAL PERFORMANCE OF THE DEVICE.
4. SQUARE PACKAGE - DIMENSIONS APPLY IN BOTH " X " AND " Y " DIRECTIONS.

**Contact Information**

Semtech Corporation  
 Power Management Products Division  
 200 Flynn Road, Camarillo, CA 93012  
 Phone: (805) 498-2111 FAX (805)498-3804