

S6551/S6551A

Features

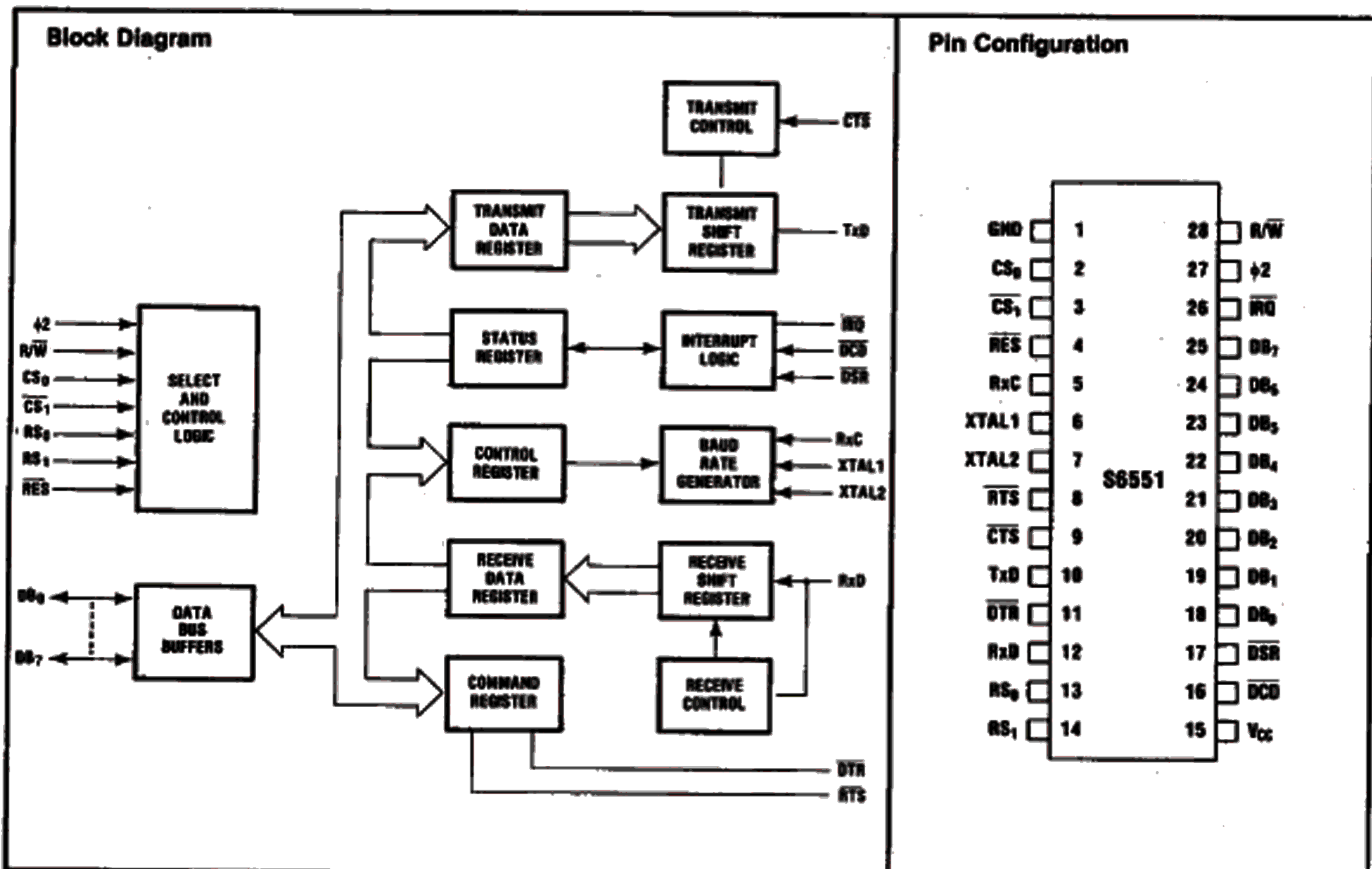
- On-Chip Baud Rate Generator: 15 Programmable Baud Rates Derived from a Standard 1.8432MHz External Crystal (50 to 19,200 Baud)
- Programmable Interrupt and Status Register to Simplify Software Design
- Single + 5 Volt Power Supply
- Serial Echo Mode
- False Start Bit Detection
- 8-Bit Bi-Directional Data Bus for Direct Communication With the Microprocessor
- External 16X Clock Input for Non-Standard Baud Rates (Up to 125K Baud)
- Programmable: Word Lengths; Number of Stop Bits; and Parity Bit Generation and Detection

- Data Set and Modem Control Signals Provided
- Parity: (Odd, Even, None, Mark, Space)
- Full-Duplex or Half-Duplex Operation
- 5, 6, 7, 8 and 9-Bit Transmission

General Description

The S6551/S6551A is an Asynchronous Communication Adapter (ACIA) intended to provide interfacing for the microprocessors to serial communication data sets and modems. A unique feature is the inclusion of an on-chip programmable baud rate generator, with a crystal being the only external component required.

MICRO-PROCESSOR CIRCUITS





AMI Semiconductors

S6551/S6551A

Absolute Maximum Ratings

Supply Voltage V_{CC}	-0.3V to +7.0V
Input/Output Voltage V_{IN}	-0.3V to +7.0V
Operating Temperature Range T_A	0°C to +70°C
Storage Temperature Range T_{stg}	-55°C to +150°C

All inputs contain protection circuitry to prevent damage to high static charges. Care should be exercised to prevent unnecessary application of voltages in excess of the allowable limits.

Stresses above those listed under "Absolute Maximum Ratings" may cause permanent damage to the device. This is a stress rating only and functional operation of the device at these or any other conditions above those indicated in the operational sections of this specification is not implied.

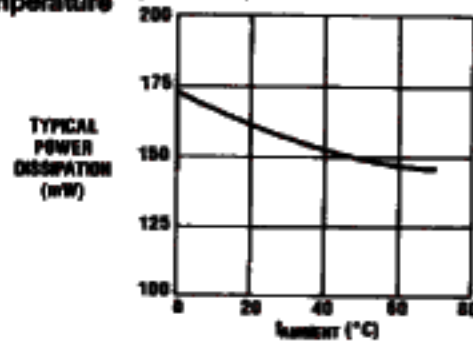
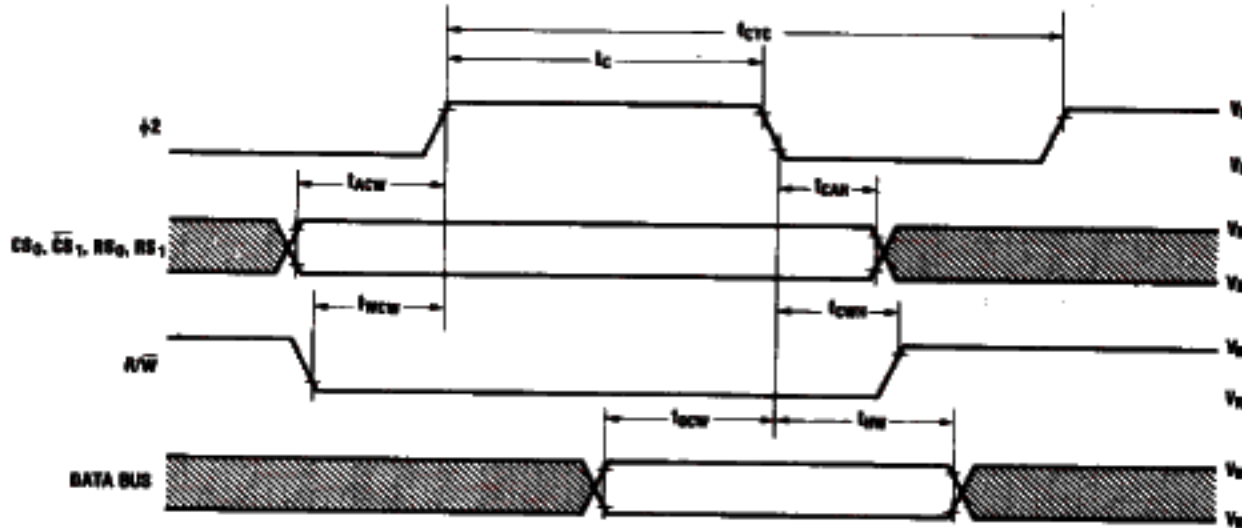
Electrical Operating Characteristics ($V_{CC} = 5.0V \pm 5\%$, $T_A = 0^\circ C$ to $+70^\circ C$, unless otherwise noted)

Symbol	Parameter	Min.	Typ.	Max.	Units
V_{IH}	Input High Voltage	2.0	—	V_{CC}	V
V_{IL}	Input Low Voltage	-0.3	—	0.8	V
I_{IN}	Input Leakage Current: $V_{IN} = 0$ to 5V ($\phi 2$, R/W, RES, CS_0 , CS_1 , RS_0 , RS_1 , CTS, RxD, DCD, DSR)	—	± 1.0	± 2.5	μA
I_{TSI}	Input Leakage Current for High Impedance State (Three State)	—	± 2.0	± 10.0	μA
V_{OH}	Output High Voltage: $I_{LOAD} = -100\mu A$ (DB_0 - DB_7 , TxD, RxC, RTS, DTR)	2.4	—	—	V
V_{OL}	Output Low Voltage: $I_{LOAD} = 1.6mA$ (DB_0 - DB_7 , TxD, RxC, RTS, DTR, IRQ)	—	—	0.4	V
I_{OH}	Output High Current (Sourcing): $V_{OH} = 2.4V$ (DB_0 - DB_7 , TxD, RxC, RTS, DTR)	—	—	-100	μA
I_{OL}	Output Low Current (Sinking): $V_{OL} = 0.4V$ (DB_0 - DB_7 , TxD, RxC, RTS, DTR, IRQ)	—	—	1.6	mA
I_{OFF}	Output Leakage Current (Off State): $V_{OUT} = 5V$ (IRQ)	—	1.0	10.0	μA
C_{CLK}	Clock Capacitance ($\phi 2$)	—	—	20	pF
C_{IN}	Input Capacitance (Except XTAL1 and XTAL2)	—	—	10	pF
C_{OUT}	Output Capacitance	—	—	10	pF
P_D	Power Dissipation (See Graph) ($T_A = 0^\circ C$)	—	170	300	mW

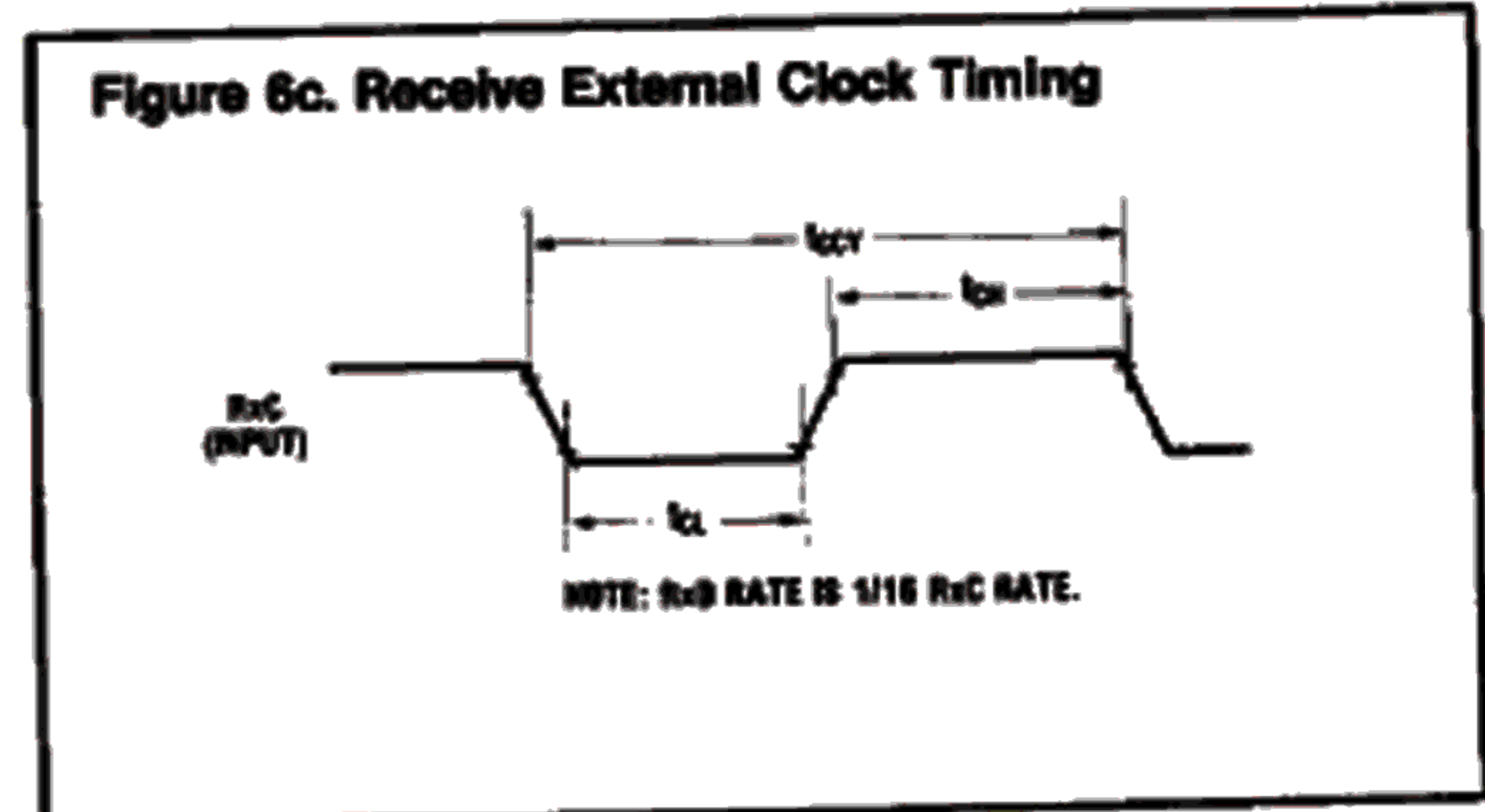
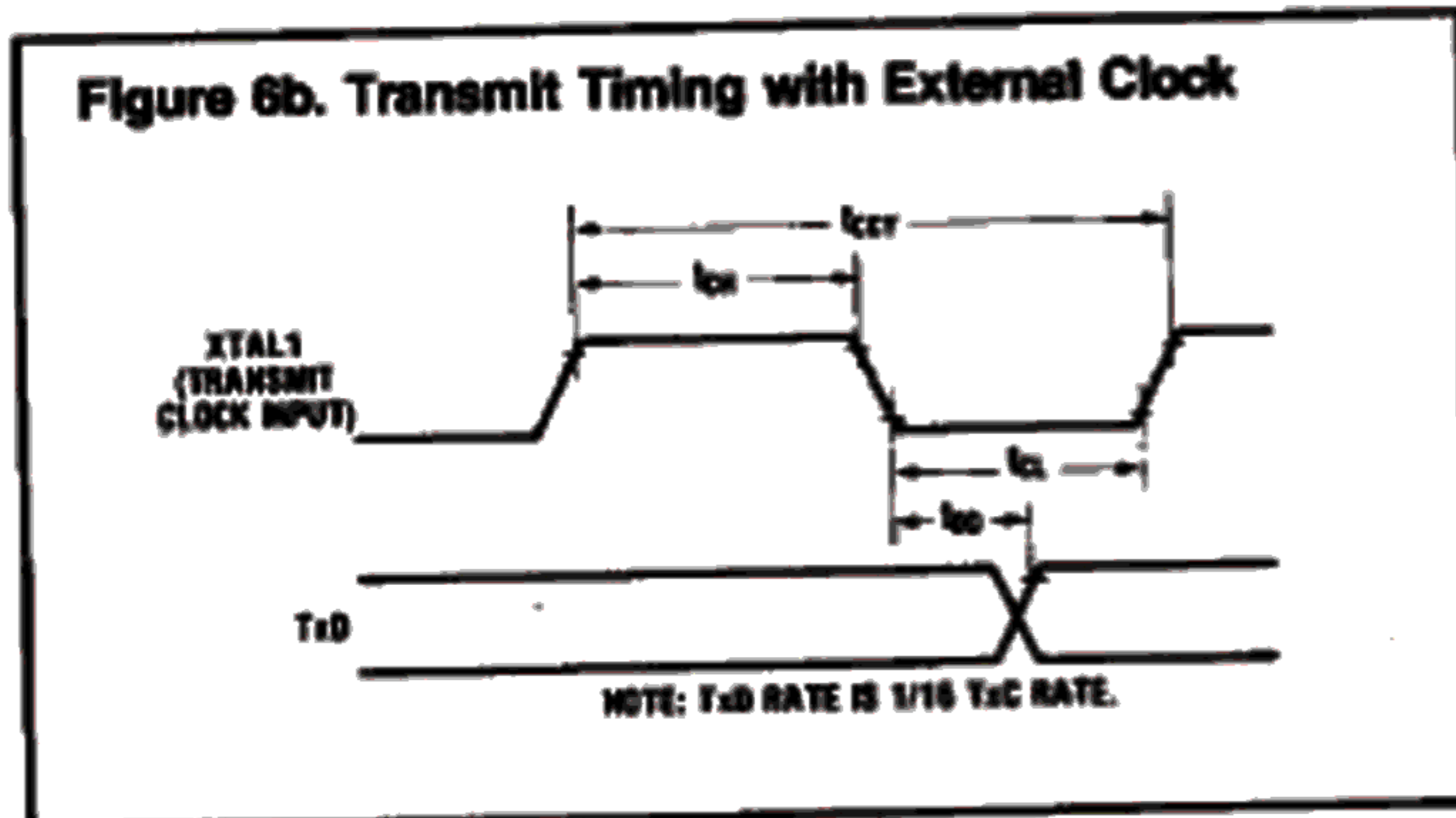
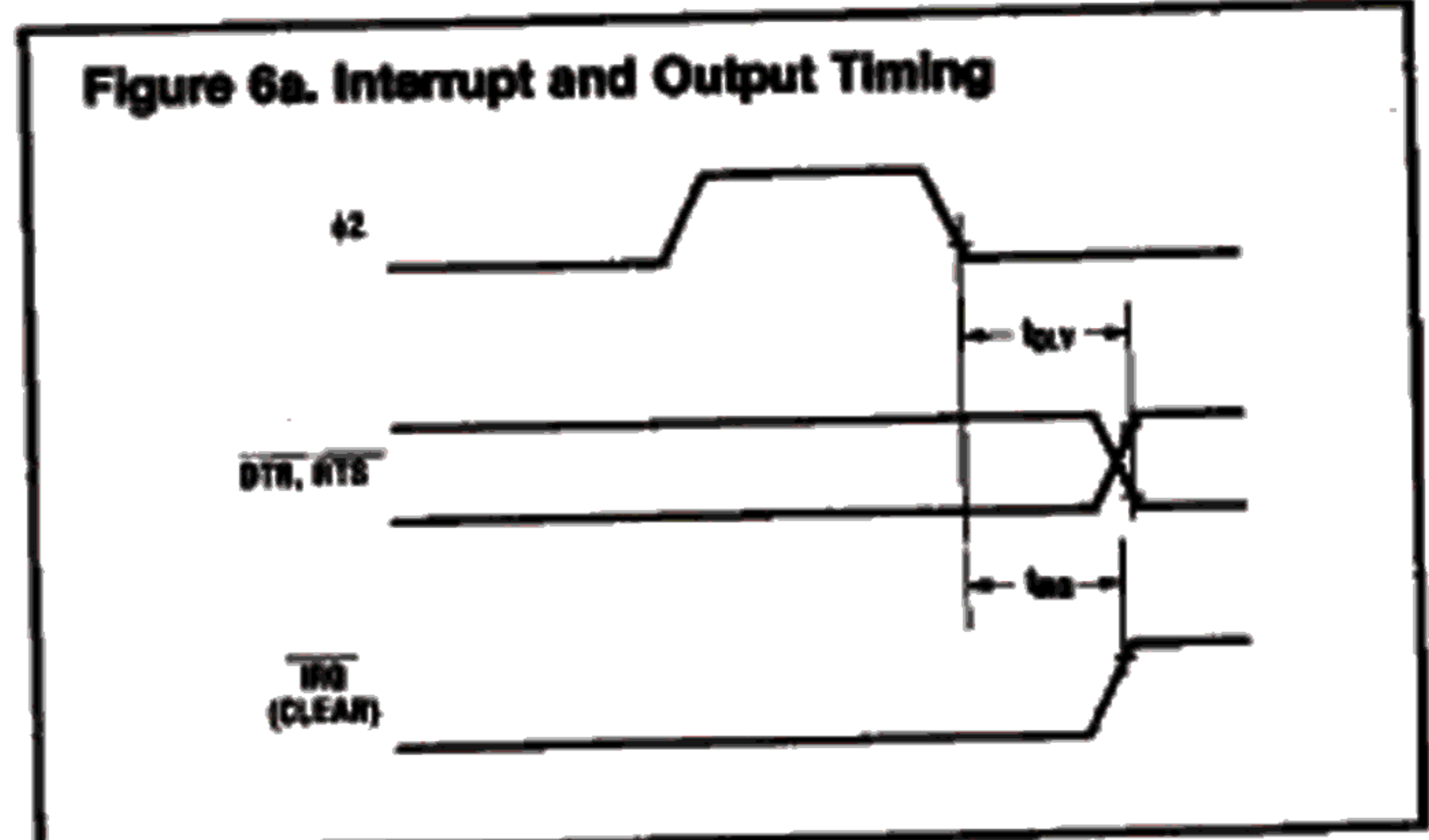
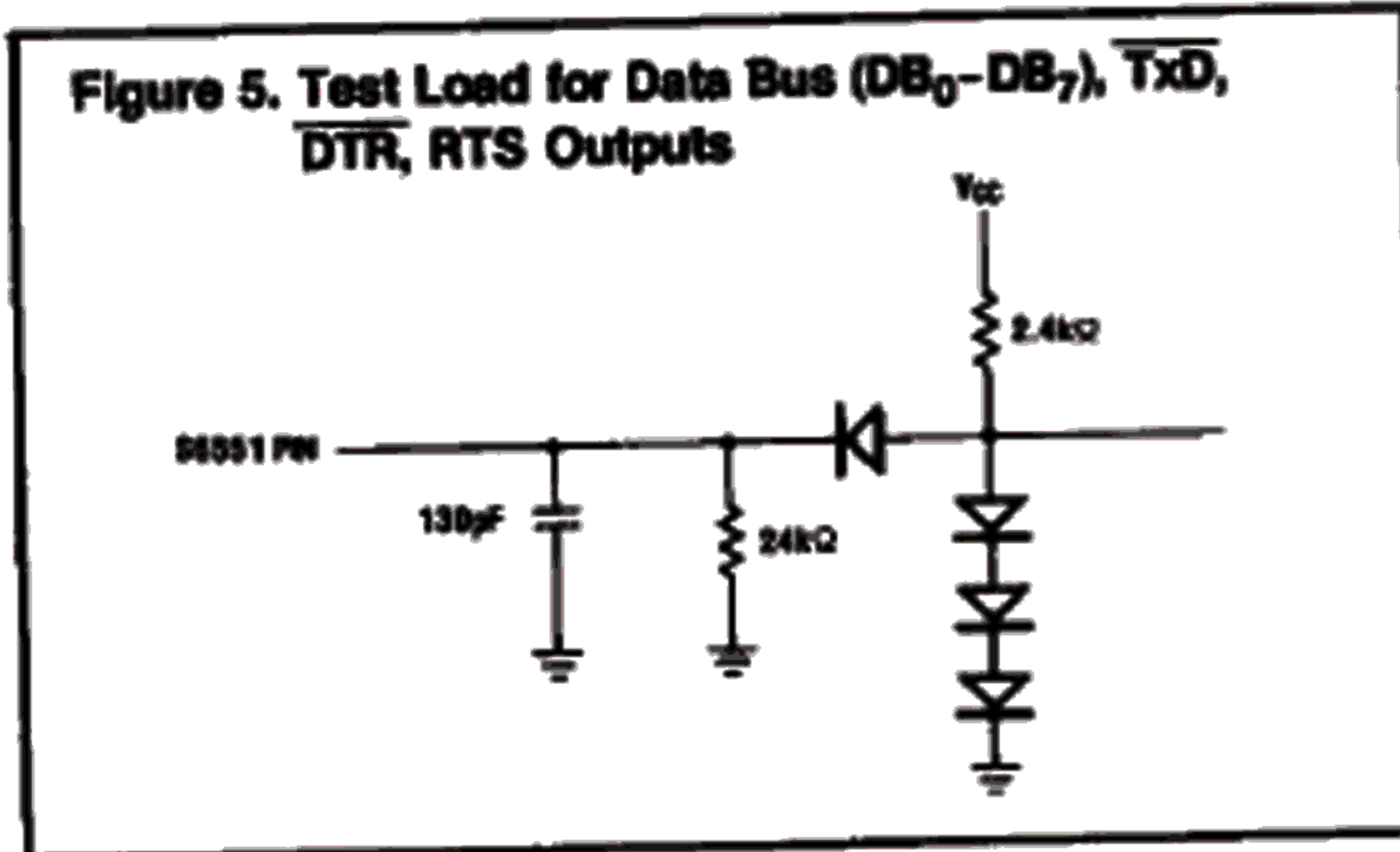
Write Cycle ($V_{CC} = 5.0V \pm 5\%$, $T_A = 0^\circ C$ to $+70^\circ C$, unless otherwise noted)

Symbol	Parameter	S6551		S6551A		Unit
		Min.	Max.	Min.	Max.	
t_{CYC}	Cycle Time	1.0	—	0.5	—	μs
t_C	$\phi 2$ Pulse Width	400	—	200	—	ns
t_{ACW}	Address Set-Up Time	120	—	70	—	ns
t_{CAH}	Address Hold Time	0	—	0	—	ns
t_{WCW}	R/W Set-Up Time	120	—	70	—	ns
t_{CWH}	R/W Hold Time	0	—	0	—	ns
t_{DCW}	Data Bus Set-Up Time	150	—	60	—	ns
t_{DWH}	Data Bus Hold Time	20	—	20	—	ns

(t_r and $t_f = 10$ to 30ns)

Figure 1. Power Dissipation vs. Temperature

Figure 2. Write Timing Characteristics

Read Cycle ($V_{CC} = 5.0V \pm 5\%$, $T_A = 0^\circ C$ to $+70^\circ C$, unless otherwise noted)

Symbol	Parameter	S6551		S6551A		Unit
		Min.	Max.	Min.	Max.	
t_{CYC}	Cycle Time	1.0	—	0.5	—	μs
t_C	$\phi 2$ Pulse Width	400	—	200	—	ns
t_{ACR}	Address Set-Up Time	120	—	70	—	ns
t_{CAR}	Address Hold Time	0	—	0	—	ns
t_{WCR}	R/ \bar{W} Set-Up Time	120	—	70	—	ns
t_{CDR}	Read Access Time (Valid Data)	—	200	—	150	ns
t_{HR}	Read Hold Time	20	—	20	—	ns
t_{CDA}	Bus Active Time (Invalid Data)	40	—	40	—	ns



Pin Description

RES (Reset). During system initialization a low on the RES input will cause internal registers to be cleared.

φ2 Input Clock. The input clock is the system φ2 clock and is used to trigger all data transfers between the system microprocessor and the S6551.

R/W (Read/Write). The R/W is generated by the microprocessor and is used to control the direction of data transfers. A high on the R/W pin allows the processor to read the data supplied by the S6551. A low on the R/W pin allows a write to the S6551.

IRQ (Interrupt Request). The IRQ pin is an interrupt signal from the interrupt control logic. It is an open drain output, permitting several devices to be connected to the common IRQ microprocessor input. Normally a high level, IRQ goes low when an interrupt occurs.

DB₀-DB₇ (Data Bus). The DB₀-DB₇ pins are the eight data lines used for transfer of data between the processor and the S6551. These lines are bi-directional and are normally high-impedance except during Read cycles when selected.

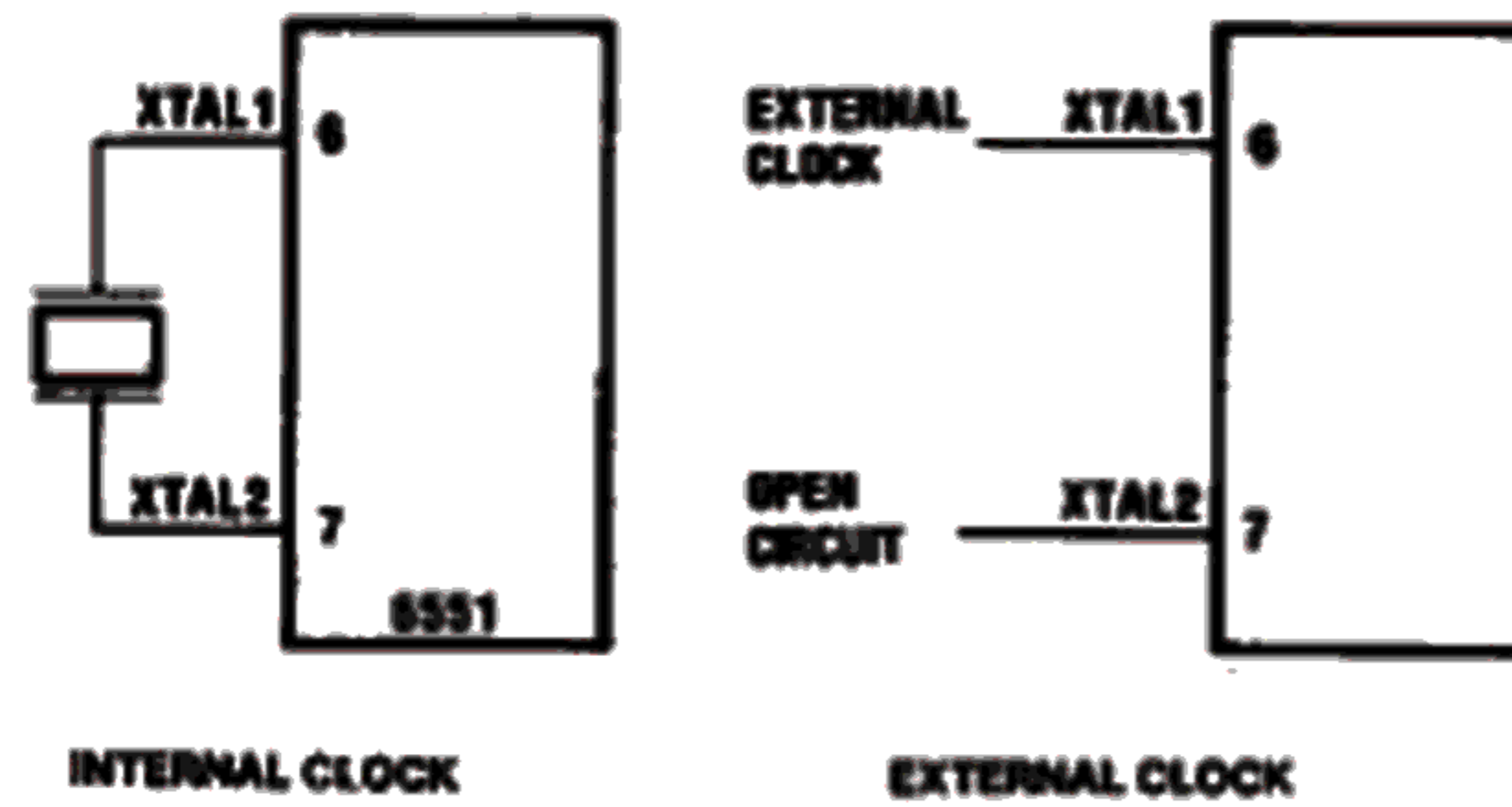
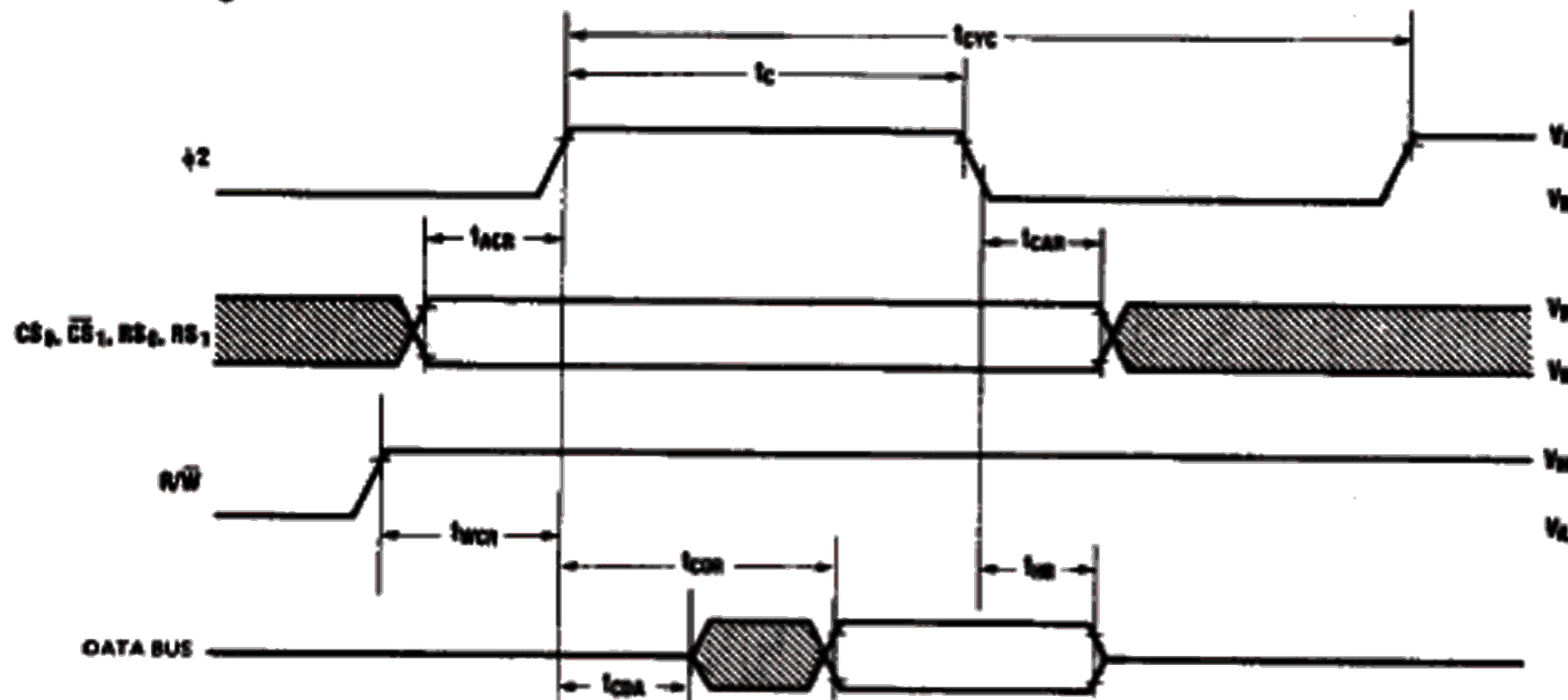
CS₀-CS₁ (Chip Selects). The two chip select inputs are normally connected to the processor address lines either directly or through decoders. The S6551 is selected when CS₀ is high and CS₁ is low.

RS₀, RS₁ (Register Selects). The two register select lines are normally connected to the processor address lines to allow the processor to select the various S6551 internal registers. The following table indicates the internal register select coding:

Table 1

RS ₁	RS ₀	WRITE	READ
0	0	Transmit Data Register	Receiver Data Register
0	1	Programmed Reset (Data is "Don't Care")	Status Register
1	0	Command Register	
1	1	Control Register	

The table shows that only the Command and Control registers are read/write. The Programmed Reset operation does not cause any data transfer, but is used to clear the S6551 registers. The Programmed Reset is slightly different from the Hardware Reset (RES) and these differences are described in the individual register definitions.

S6551/S6551A
Figure 3. Clock Generation

Figure 4. Read Timing Characteristics

Transmit/Receive Characteristics

Symbol	Parameter	S6551		S6551A		Unit
		Min.	Max.	Min.	Max.	
t_{CCY}	Transmit/Receive Clock Rate	400*	—	400*	—	ns
t_{CH}	Transmit/Receive Clock High Time	175	—	175	—	ns
t_{CL}	Transmit/Receive Low Time	175	—	175	—	ns
t_{DD}	EXTAL1 to TxD Propagation Delay	—	500	—	500	ns
t_{OLY}	Propagation Delay (RTS, DTR)	—	500	—	500	ns
t_{IRO}	\overline{IRO} Propagation Delay (Clear)	—	500	—	550	ns

 (t_r and $t_f = 10$ to 30 ns)

 *The baud rate with external clocking is: $\text{Baud Rate} = \frac{1}{16 \times t_{CCY}}$

 MICRO-
PROCESSOR
CIRCUITS

S6551/S6551A

Internal Organization

The Transmitter/Receiver sections of the S6551 are depicted by the block diagram in Figure 7.

Bits 0-3 of the Control Register select the divisor used to generate the baud rate for the Transmitter. If the Receiver clock is to use the same baud rate as the Transmitter, then RxC becomes an output pin and can be used to slave other circuits to the S6551.

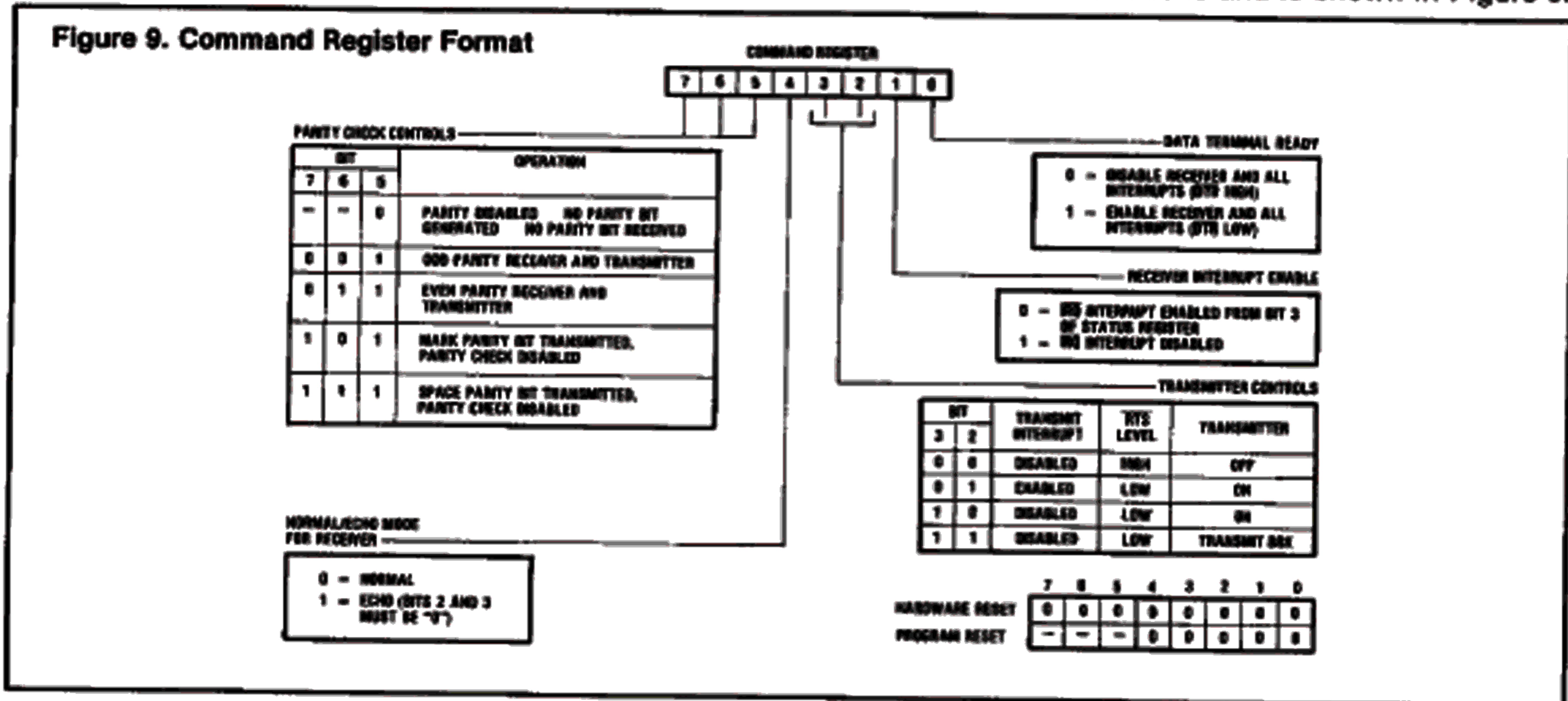
Control Register

The Control Register is used to select the desired mode for the S6551. The word length, number of stop bits, and clock controls are all determined by the Control Register, which is depicted in Figure 8.

Command Register

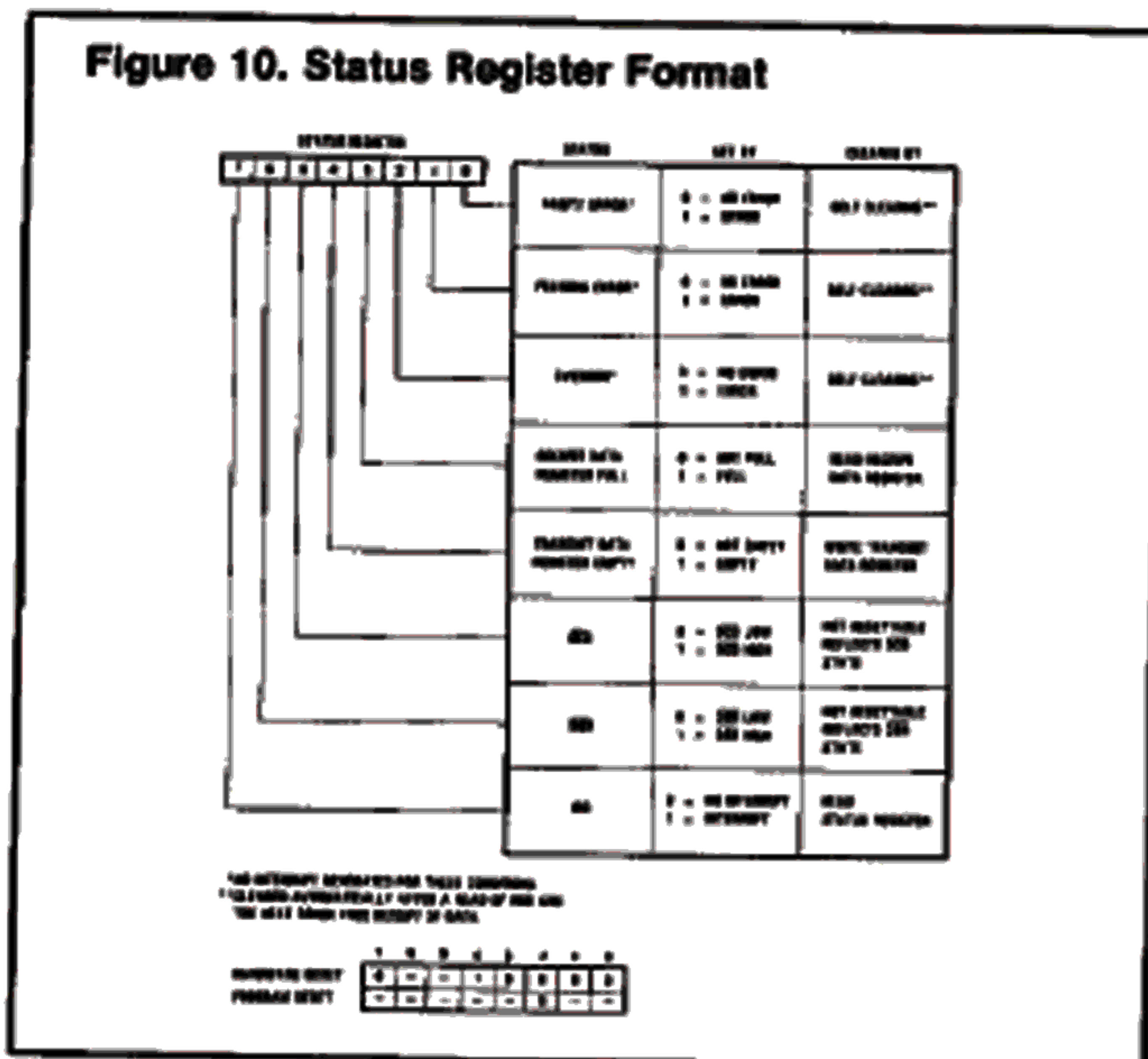
The Command Register is used to control Specific Transmit/Receive functions and is shown in Figure 9.

Figure 9. Command Register Format



MICRO-PROCESSOR CIRCUITS

Figure 10. Status Register Format



Status Register

The Status Register is used to indicate to the processor the status of various S6551 functions and is outlined in Figure 10.

Transmit and Receive Data Registers

These registers are used as temporary data storage for the S6551 Transmit and Receive circuits. The Transmit Data Register is characterized as follows:

- Bit 0 is the leading bit to be transmitted.
- Unused data bits are the high-order bits and are "don't care" for transmission.

The Receive Data Register is characterized in a similar fashion:

- Bit 0 is the leading bit received.
- Unused data bits are the high-order bits and are "0" for the receiver.
- Parity bits are not contained in the Receive Data Register, but are stripped-off after being used for external parity checking. Parity and all unused high-order bits are "0".

Figure 11 illustrates a single transmitted or received data word, for the example of 8 data bits, parity, and 1 stop bit.

