

10BASE-T NETWORK COMPONENTS

960056A

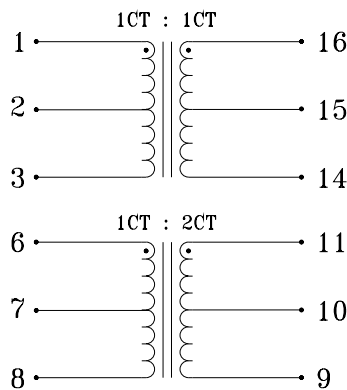
- Designed for use with Level One LXT 905/908 10Base-T transceivers
- Complies with IEEE 802.3 standards
- Transmit and receive integrated in single package with and without common mode choke
- Low profile, surface mount package, rated to 225°C peak IR reflow temperature
- 2000 Vrms isolation

ELECTRICALS AT 25°C

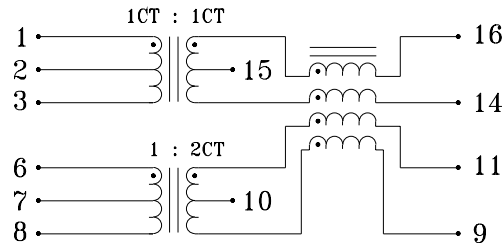
Part No.	Insertion Loss (dB) Max 1-10MHz	OCL (μH) Min TX/RX	Return Loss (dB) Min 1MHz-10MHz	Crosstalk (dB) Min 1MHz-10MHz	CM-CM Rej (dB) Min		Schematic
					10-30MHz	100MHz	
S553-5999-52	-1.0	28/110	-18	-40	--	--	A
S553-5999-86	-1.0	28/110	-18	-40	-40	-30	B

SCHEMATICS

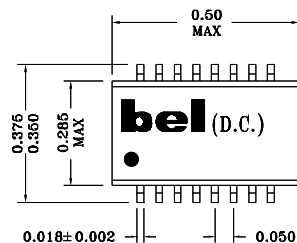
A



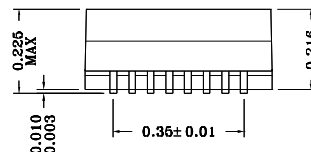
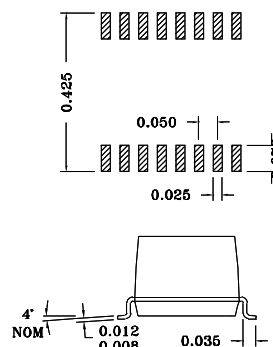
B



MECHANICAL



SUGGESTED PCB PAD LAYOUT

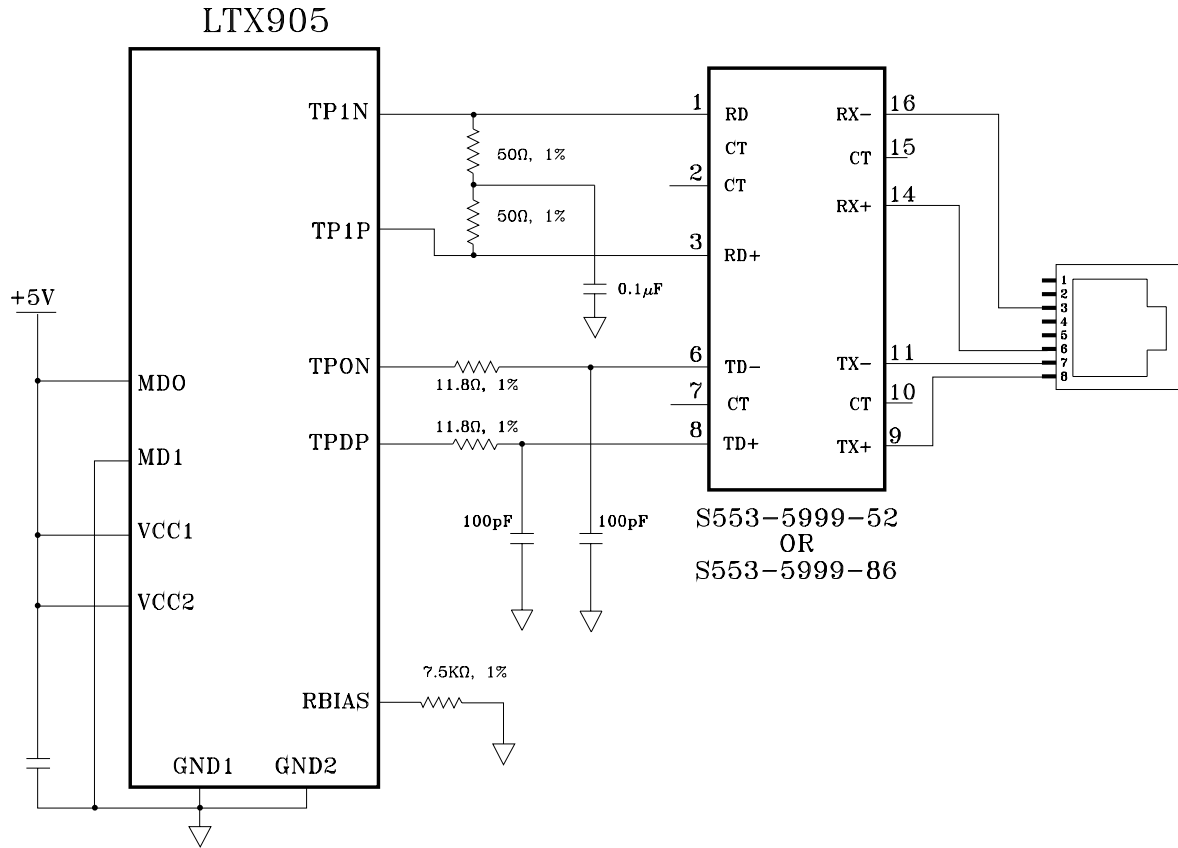


Specifications subject to change without notice.

10BASE-T NETWORK COMPONENTS

960056A

APPLICATION CIRCUIT



APPLICATION NOTES

- Transmit turns ratio is 1CT:2CT. Receive turns ratio is 1CT:1CT.
- Bel's low profile, surface mount packaging is ideal for high speed pick and place machinery. Parts can be shipped on tape and reel for high speed placement. Construction processes have been implemented for thermal compatibility with high temperature IR reflow assembly processing. Post dipping of leads assist with PC board solderability. Each part is optically inspected to meet rigid coplanarity requirements.

Corporate Office
Bel Fuse Inc.
 198 Van Vorst Street, Jersey City, NJ 07302-4496
 Tel: 201-432-0463
 Fax: 201-432-9542
 E-Mail: BelFuse@belfuse.com
 Internet: <http://www.belfuse.com>

Far East Office
Bel Fuse Ltd.
 8F/8 Luk Hop Street
 San Po Kong
 Kowloon, Hong Kong
 Tel: 852-2328-5515
 Fax: 852-2352-3706

European Office
Bel Fuse Europe Ltd.
 Preston Technology Management Centre
 Marsh Lane, Preston PR1 8UD
 Lancashire, U.K.
 Tel: 44-1772-556601
 Fax: 44-1772-888366