

FEATURES

- SiGe BiCMOS technology
- Complies with Bellcore and ITU-T specifications
- On-chip high-frequency PLL for clock generation
- Supports:
 - OC-48 (with FEC)
 - OC-24 (with FEC)
 - OC-12 (with FEC)
 - OC-3 (with FEC)
 - Fibre Channel
- FEC capability up to 8 bytes per 255-byte block
- Reference frequency – 131.25 MHz to 178 MHz
- Interface to LVPECL and TTL logic
- 18-Bit single-ended LVPECL data path
- Compact 156 Pin TBGA package
- Diagnostic loopback mode
- Supports line timing
- Lock Detect
- Signal detect input
- Low jitter LVPECL interface
- Internal FIFO to decouple transmit clocks
- Single 3.3 V supply
- Typical power 1.5 W

- ATM over SONET/SDH
- Section repeaters
- Add Drop Multiplexers (ADM)
- Broad-band cross-connects
- Fiber optic terminators
- Fiber optic test equipment

GENERAL DESCRIPTION

The S3067 SONET/SDH transceiver chip is a fully integrated multirate serialization/deserialization SONET OC-48, OC-24, OC-12 and OC-3 interface device. The chip performs all necessary serial-to-parallel and parallel-to-serial functions in conformance with SONET/SDH transmission and Forward Error Correction (FEC) standards. The device is suitable for SONET-based WDM applications. Figure 1 shows a typical network application.

On-chip clock synthesis is performed by the high-frequency phase-locked loop on the S3067 transceiver chip allowing the use of a slower external transmit clock reference. The chip can be used with a 131.25 MHz to 178 MHz reference clock in support of existing system clocking schemes.

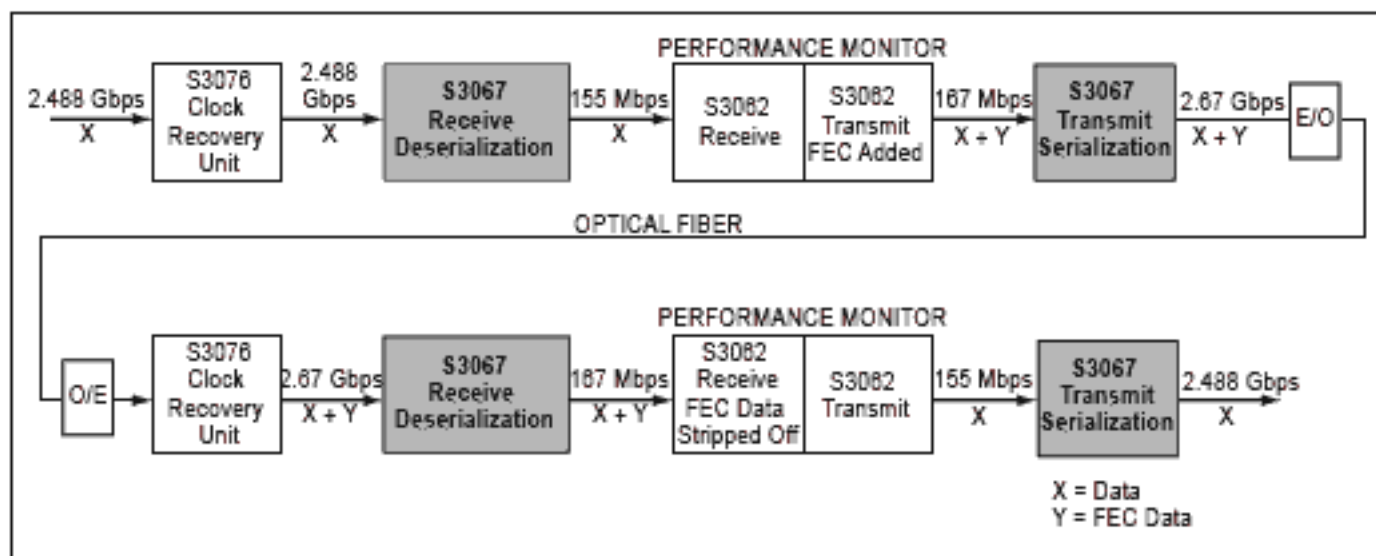
The low jitter LVPECL interface guarantees compliance with the bit-error rate requirements of the Bellcore and ITU-T standards. The S3067 is packaged in a 156 Pin TBGA, offering designers a small package outline.

The S3067 supports FEC designs with internal dividers or external clocking modes.

APPLICATIONS

- Wavelength Division Multiplexing equipment
- SONET/SDH-based transmission systems
- SONET/SDH modules
- SONET/SDH test equipment

Figure 1. System Block Diagram



SONET OVERVIEW

Synchronous Optical Network (SONET) is a standard for connecting one fiber system to another at the optical level. SONET, together with the Synchronous Digital Hierarchy (SDH) administered by the ITU-T, forms a single international standard for fiber interconnect between telephone networks of different countries. SONET is capable of accommodating a variety of transmission rates and applications.

The SONET standard is a layered protocol with four separate layers defined. These are:

- Photonic
- Section
- Line
- Path

Figure 2 shows the layers and their functions. Each of the layers has overhead bandwidth dedicated to administration and maintenance. The photonic layer simply handles the conversion from electrical to optical and back with no overhead. It is responsible for transmitting the electrical signals in optical form over the physical media. The section layer handles

the transport of the framed electrical signals across the optical cable from one end to the next. Key functions of this layer are framing, scrambling, and error monitoring. The line layer is responsible for the reliable transmission of the path layer information stream, carrying voice, data, and video signals. Its main functions are synchronization, multiplexing, and reliable transport. The path layer is responsible for the actual transport of services at the appropriate signaling rates.

Data Rates and Signal Hierarchy

Table 1 contains the data rates and signal designations of the SONET hierarchy. The lowest level is the basic SONET signal referred to as the synchronous transport signal level-1 (STS-1). An STS-*N* signal is made up of *N*-byte-interleaved STS-1 signals. The optical counterpart of each STS-*N* signal is an optical carrier level-*N* signal (OC-*N*). The S3067 chip supports up to the OC-48 rate with different FEC modes.

Frame and Byte Boundary Detection

The SONET/SDH fundamental frame format for STS-48 consists of 144 transport overhead bytes followed by Synchronous Payload Envelope (SPE) bytes. This pattern of 144 overhead and 4176 SPE bytes is repeated nine times in each frame. Frame and byte boundaries are detected using the A1 and A2 bytes found in the transport overhead. (See Figure 3.)

For more details on SONET operations, refer to the Bellcore SONET standard document.

Figure 2. SONET Structure

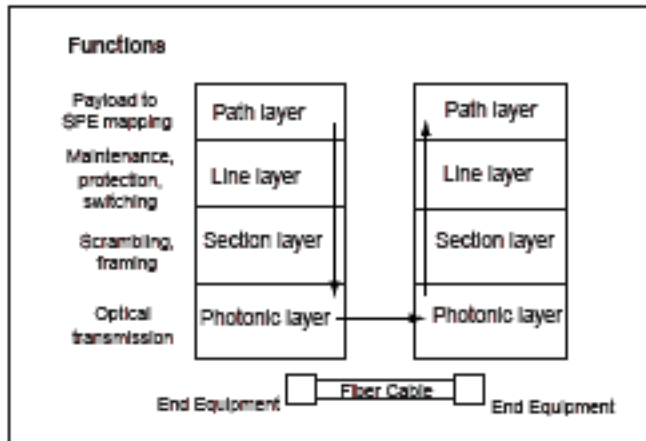


Figure 3. STS-48/OC-48 Frame Format

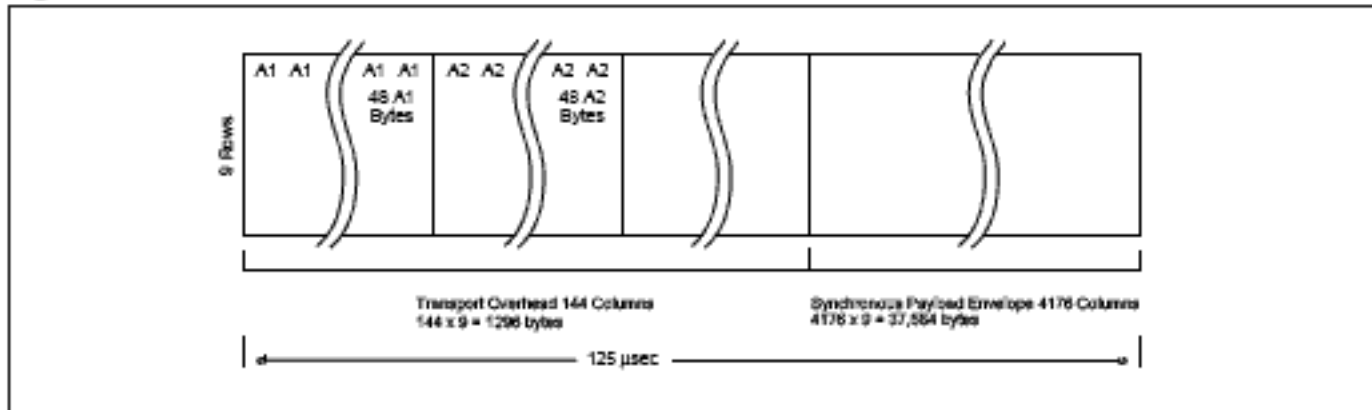


Table 1. SONET Signal Hierarchy

Elec.	CCITT	Optical	Data Rate (Mbps)
STS-1		OC-1	51.84
STS-3	STM-1	OC-3	155.52
STS-12	STM-4	OC-12	622.08
STS-24	STM-6	OC-24	1244.16
STS-48	STM-16	OC-48	2488.32

S3067 OVERVIEW

The S3067 transceiver implements SONET/SDH and WDM serialization/deserialization, and transmission functions. The block diagram in Figure 4 shows the basic operation of the chip. This chip can be used to implement the front end of WDM equipment, which consists primarily of the serial transmit interface and the serial receive interface. The chip handles all the functions of these two elements, including parallel-to-serial and serial-to-parallel conversion, clock generation, and system timing. The system timing circuitry consists of management of the data stream and clock distribution throughout the front end.

S3067 has the ability to bypass the internal VCO with an external source and also with the receive clock. The device generates 14/15, 15/14, 16/17 and 17/16 clocks based upon the received clock and an external clock to incorporate the FEC capability. The dividers support the first two rates shown in Table 4.

The S3067 is divided into a transmitter section and a receiver section. The sequence of operations is as follows:

Transmitter Operations:

1. 16-bit parallel input
2. Parallel-to-serial conversion
3. Serial output

Receiver Operations:

1. Serial input
2. Serial-to-parallel conversion
3. 16-bit parallel output

Internal clocking and control functions are transparent to the user. S3067 Supports six different code rates, besides the normal rate, for each of the four operating modes.

Suggested Interface Devices

AMCC	S3076	OC-48 Clock Recovery Device
AMCC	S3062	OC-48 Performance Monitor

Table 2. Data Rate Select

RATESEL 0	RATESEL 1	Operating Mode
0	0	OC-3
0	1	OC-12
1	0	OC-24/GBE/FC
1	1	OC-48

Table 3. FEC Select

FEC 0	1	2	VCO Divider	RSCLK Divider
0	0	1	17	16
1	0	1	16	17
0	1	1	15	14
1	1	1	14	15
0	0	0	17	X
1	0	0	16	X
0	1	0	15	X
1	1	0	14	X

Table 4. FEC Modes

Error Correcting Capability	Code Rate showing Bandwidth Expansion due to code words & FSB	Example of increased input clock frequency for STS-48/STM-16 (MHz)
8 bytes per 255-byte block	$255/238 = 7.14\%$ increase	$155.52 * 255/238 = 155.52 * 15/14 = 166.63$
7 bytes per 255-byte block	$255/240 = 6.25\%$ increase	$155.52 * 255/240 = 155.52 * 17/16 = 165.24$
6 bytes per 255-byte block	$255/242 = 5.37\%$ increase	$155.52 * 255/242 = 163.87$
5 bytes per 255-byte block	$255/244 = 4.51\%$ increase	$155.52 * 255/244 = 162.53$
4 bytes per 255-byte block	$255/246 = 3.66\%$ increase	$155.52 * 255/246 = 155.52 * 85/82 = 161.21$
3 bytes per 255-byte block	$255/248 = 2.82\%$ increase	$155.52 * 255/248 = 159.91$

Figure 4. S3067 Transceiver Functional Block Diagram

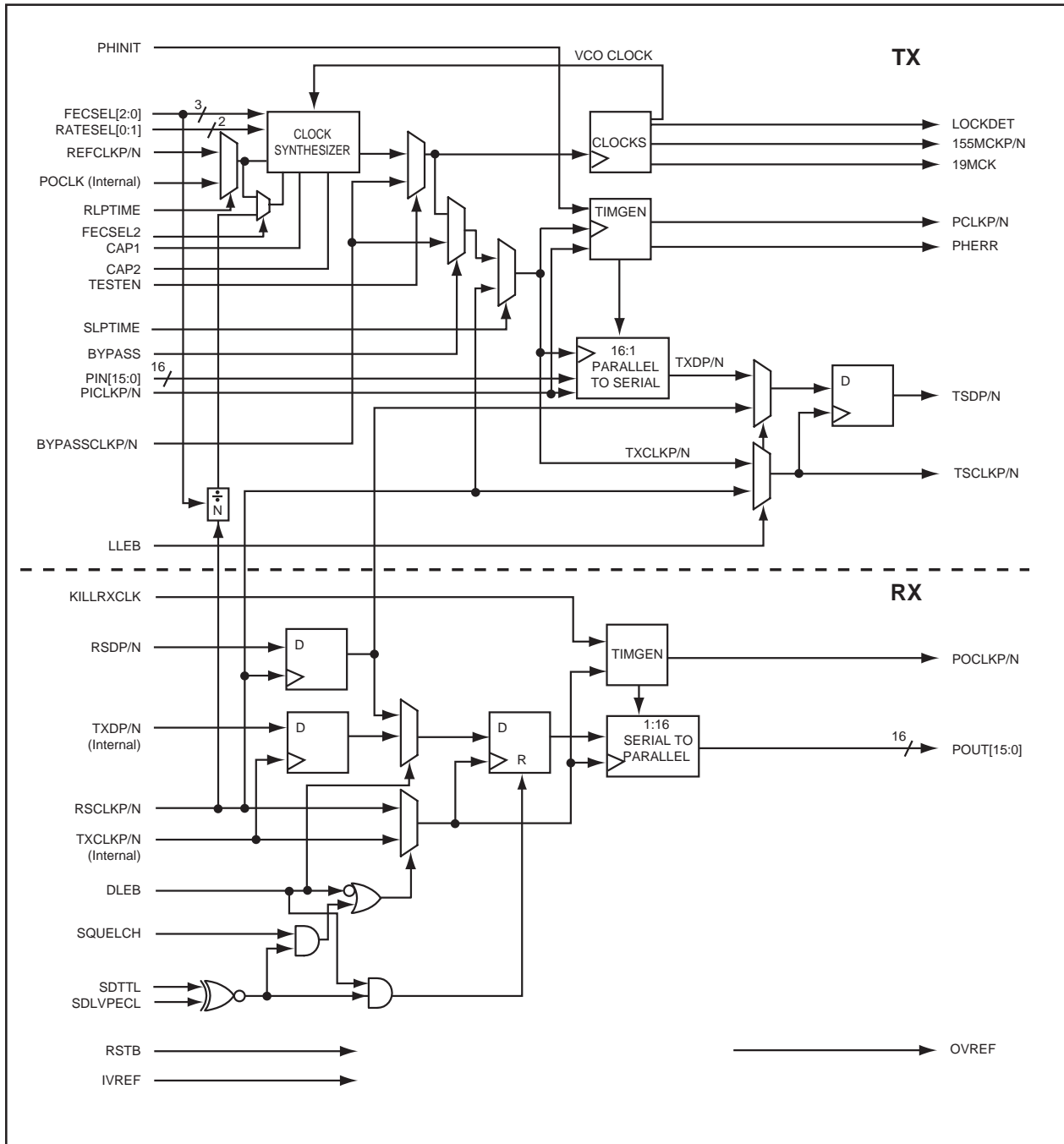
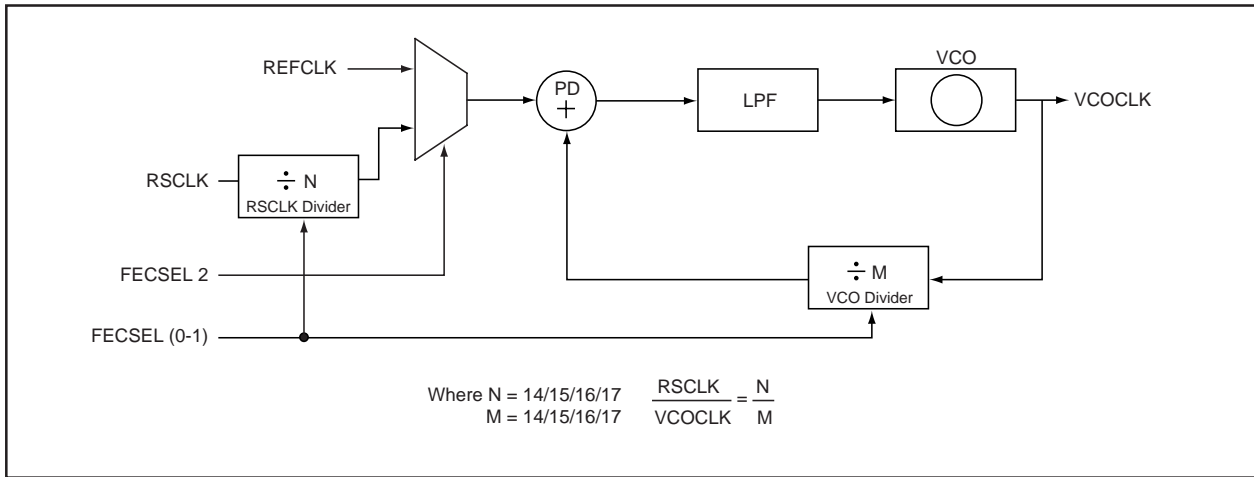


Figure 5. Clock Synthesizer



A high on FECSEL2 selects RSCLK divided by N. A low on FECSEL2 selects the REFCLK. The REFCLK or RSCLK divided by N is divided by 1/M (multiplied by M) in the loop. The value of M and N can be selected by FECSEL0 and FECSEL1.

When FECSEL2 = 0, VCOCLK = REFCLK * M. The user must select the proper value of REFCLK and M to get the desired VCOCLK frequency. When FECSEL2 = 1, VCOCLK = (RSCLK * M) ÷ N. The user must select the proper M/N ratio (with FECSEL0 and FECSEL1) to get the desired VCOCLK value. (See Tables 3 and 4.)

Example: OC-48 FEC capability of 8 bytes per 255-byte block. Required VCOCLK = 2.6656 GHz.

Method 1:

Required VCOCLK = 2.6656 GHz
FECSEL2 = 0, selects REFCLK
FECSEL0 = 1 and FECSEL1 = 0, selects VCO divider(M) = 16
REFCLK = 2.6656 GHz ÷ 16 = 166.60 MHz
VCOCLK = REFCLK ÷ (1/M) = 166.60 * 16 = 2.6656 GHz

Method 2:

Required VCOCLK = 2.6656 GHz
FECSEL2 = 1, selects RSCLK
FECSEL0 = 0 and FECSEL1 = 0, selects VCO divider(M) = 17 and RSCLK divider(N) = 16
RSCLK = (2.6656 * 16) ÷ 17 = 2.5088 GHz
VCOCLK = RSCLK ÷ N ÷ (1/M) = 2.5088 GHz ÷ 16 * 17 = 2.6656 GHz.

S3067 TRANSCEIVER FUNCTIONAL DESCRIPTION

Transmitter Operation

The S3067 transceiver chip performs the serialization stage in the processing of a transmit SONET STS-48/STS-24/STS-12/STS-3/GBE/FC data stream depending on the data rate selected. It converts 16-bit parallel data to bit serial format.

A high-frequency bit clock can be generated from a 131.25 MHz to 178 MHz frequency reference by using an integral frequency synthesizer consisting of a phase-locked loop circuit with a divider in the loop.

Diagnostic loopback (transmitter to receiver) and line loopback (receiver to transmitter) is provided. See *Other Operating Modes*.

The bypass signal selects between the BYPASSCLK and the VCO clock. BYPASSCLK can be used to provide an alternative clock to the internal VCO when the user selects an error correcting capability which is not provided by the S3067 dividers. The user must provide the required frequency for the BYPASSCLK when error-correcting capability of 6/5/4/3 bytes per 255-byte block is selected.

Clock Synthesizer

The clock synthesizer, shown in the block diagrams of Figures 4 and 5, is a monolithic PLL that generates the serial output clock frequency locked to the input Reference Clock (REFCLKP/N).

The REFCLKP/N input must be generated from a crystal oscillator that has a frequency accuracy better than the value stated in Table 10 in order for the TSCLK frequency to have the accuracy required for operation in a SONET system. Lower-accuracy crystal oscillators may be used in applications less demanding than SONET/SDH.

The on-chip PLL consists of a phase detector, which compares the phase relationship between the VCO output and the REFCLKP/N input, a loop filter which converts the phase detector output into a smooth DC voltage, and a VCO, whose frequency is varied by this voltage.

The divide by 'N' and divide by 'M' provide the counters required to support error correcting capability. The values of 'N' and 'M' can be selected by FECSEL lines.

The loop filter generates a VCO control voltage based on the average DC level of the phase discriminator output pulses. A single external clean-up capacitor is utilized as part of the loop filter. The loop filter's corner frequency is optimized to minimize output phase jitter.

Timing Generator

The timing generation function, seen in Figure 4, provides a divide-by-16 version of the transmit serial clock. This circuitry also provides an internally generated load signal, which transfers the PIN[15:0] data from the parallel input register to the serial shift register.

The PCLK output is a divide-by-16 rate version of transmit serial clock (divide-by-16). PCLK is intended for use as a divide-by-16 clock for upstream multiplexing and overhead processing circuits. Using PCLK for upstream circuits will ensure a stable frequency and phase relationship between the data coming into and leaving the S3067 device.

The timing generator also produces a feedback reference clock to the clock synthesizer. A counter divides the synthesized clock down to the same frequency as the reference clock REFCLK. The PLL in the clock synthesizer maintains the stability of the synthesized clock by comparing the phase of the internal clock with that of the Reference Clock (REFCLK).

Table 5. Reference Jitter Limits

Operating Mode	Band Width	RMS Jitter
STS-48	12 kHz to 20 MHz	-61 dBc
STS-24	12 kHz to 10 MHz	2 ps
STS-12	12 kHz to 5 MHz	4 ps
STS-3	12 kHz to 1 MHz	16 ps

Parallel-to-Serial Converter

The parallel-to-serial converter shown in Figure 4 is comprised of a FIFO and a parallel-to-serial register. The FIFO input latches the data from the PIN[15:0] bus on the rising edge of PICLK. The parallel-to-serial register is a loadable shift register which takes its parallel input from the FIFO output.

An internally generated divide-by-16 clock, which is phase aligned to the transmit serial clock as described in the *Timing Generator* description, activates the parallel data transfer between registers. The serial data is shifted out of the parallel-to-serial register at the TSCLK rate.

FIFO

A FIFO is added to decouple the internal and external (PICLK) clocks. The internally generated divide-by-16 clock is used to clock out data from the FIFO. PHINIT and LOCKDET are used to center or reset the FIFO. The PHINIT and LOCKDET signals will center the FIFO after the third PICLK pulse. This is to insure that PICLK is stable. This scheme allows the user to have an infinite PCLK-to-PICLK delay through the ASIC. Once the FIFO is centered, the PCLK-to-PICLK delay can have a maximum drift as specified in Table 20.

FIFO Initialization

The FIFO can be initialized in one of the following three ways:

1. During power up, once the PLL has locked to the reference clock provided on the REFCLK pins, the LOCKDET will go active and initialize the FIFO.
2. When RSTB goes active, the entire chip is reset. This causes the PLL to go out of lock and thus the LOCKDET goes inactive. When the PLL reacquires the lock, the LOCKDET goes active and initializes the FIFO. Note: PCLK is held reset when RSTB is active.
3. The user can also initialize the FIFO by raising PHINIT.

During the normal running operation, the incoming data is passed from the PICLK timing domain to the internally generated, divide-by-16 clock timing domain. Although the frequency of PICLK and the

internally generated clock is the same, their phase relationship is arbitrary. To prevent errors caused by short setup or hold times between the two timing domains, the timing generator circuitry monitors the phase relationship between PICLK and the internally generated clock. When a potential setup or hold time violation is detected, the phase error goes high. When PHERR conditions occur, PHINIT should be activated to recenter the FIFO (at least 2 PCLK periods). This can be done by connecting PHERR to PHINIT. When realignment occurs, up to 10 bytes of data will be lost. The user can also take in the PHERR signal, process it and send an output to PHINIT in such a way that idle bytes are lost during the realignment process. PHERR will go inactive when the realignment is complete.

Receiver Operation

The S3067 receiver chip provides the first stage of digital processing of a receive SONET STS-48/STS-24/STS-12/STS-3/GBE/FC bit-serial stream. The bit-serial data stream is then converted into a 16-bit half-word data format. A loopback mode is provided for diagnostic loopback (transmitter to receiver). A line loopback (receiver to transmitter) is also provided. Both line and local loopback modes can be active at the same time.

Serial-to-Parallel Converter

The serial-to-parallel converter consists of two 16-bit registers. The first is a serial-in, parallel-out shift register, which performs the serial-to-parallel conversion clocked by the clock recovery block. On the falling edge of the POCLK, the data in the parallel register is transferred to an output parallel register which drives POUT[15:0].

OTHER OPERATING MODES

Diagnostic Loopback

When the Diagnostic Loopback Enable (DLEB) input is low, a loopback from the transmitter to the receiver at the serial data rate can be set up for diagnostic purposes. The differential serial output data from the transmitter is routed to the serial-to-parallel block in place of the normal data stream (RSD). TSD/TSCLK outputs are active. DLEB takes precedence over SDPECL and SDTTL.

Line Loopback

The line loopback circuitry selects the source of the data and clock which is output on TSD and TSCLK. When the Line Loopback Enable input (LLEB) is high, it selects data and clock from the parallel-to-serial converter block. When LLEB is low, it forces the output data multiplexer to select the data and clock from the RSD and RSCLK inputs, and a receive-to-transmit loopback can be established at the serial data rate. Diagnostic loopback and line loopback can be active at the same time.

Loop Timing

In Serial Loop Timing mode (SLPTIME), the clock synthesizer PLL of the S3067 is bypassed, and the timing of the entire transmitter section is controlled by the Receive Serial Clock, RSCLKP/N. This mode is entered by setting the SLPTIME input to a TTL high level.

In this mode, the REFCLKP/N input is not used, and the RATESEL input is ignored for all transmit functions. It should be carefully noted that the internal PLL continues to operate in this mode and continues as the source for the 19MCK and 155MCK. Therefore these signals are being used (e.g. as the reference for an external S3076 clock recovery device), the REFCLKP/N and RATESEL inputs must be properly driven.

In Reference Loop Timing mode (RLPTIME), the Parallel Clock from the receiver (POCLK) is used as the reference clock to the transmitter. In this mode, the REFCLKP/N input is not used. The 19MCK and 155MCK are generated from the POCLK in this operating mode. When operating the S3067 in RLPTIME mode, the 19MCK and 155MCK outputs should not be used as the back-up reference clock for a clock and data recovery device (S3066, S3040). When performing loopback testing (DLEB), the S3067 must not be in RLPTIME.

Squelched Clock Operation

Some integrated optical receiver/clock recovery modules force their recovered serial receive clock output to the logic zero state if the optical signal is removed or reduced below a fixed threshold. This condition is accompanied by the expected deassertion of the Signal Detect (SD) output.

The S3067 has been designed for operation with clock recovery devices that provide continuous serial clock for seamless downstream clocking in the event of optical signal loss.

For operation with an optical transceiver that provides the *Squelched Clock* behavior as described above, the S3067 can be operated in the *Squelched Clock* mode by activating the SQUELCH pin.

In this condition, the Receive Serial Clock (RSCLKP/N) is used for all receiver timing when the SDLVPECL/SDTTL inputs are in the active state. When the SDLVPECL/SDTTL inputs are placed in the inactive state (usually by the deassertion of LOCKDET or Signal Detect from the optical transceiver/clock recovery unit), the transmitter serial clock will be used to maintain timing in the receiver section. This will allow the POCLK to continue to run and the parallel outputs to flush out the last received characters and then assume the all-zero state imposed at the serial data input.

It is important to note that in this mode there will be a one-time shortening or lengthening of the POCLK cycle, resulting in an apparent phase shift in the POCLK at the deassertion of the SD condition. Another similar phase shift will occur when the SD condition is reasserted.

In the normal operating mode, with SQUELCH inactive, there will be no phase discontinuities at the POCLK output during signal loss or reacquisition (assuming operation with continuous clocking from the CRU device such as the AMCC S3076).

Table 6. S3067 Transmitter Pin Assignment and Descriptions

Pin Name	Level	I/O	Pin #	Description
PIN0 PIN1 PIN2 PIN3 PIN4 PIN5 PIN6 PIN7 PIN8 PIN9 PIN10 PIN11 PIN12 PIN13 PIN14 PIN15	Single Ended LVPECL	I	A2 B3 B2 C3 A1 C2 B1 D2 E3 C1 E2 F3 F2 E1 F1 G3	Parallel Data Input. A divide-by-16, aligned to the PCLK, parallel input clock. PIN[15] is the most significant bit (corresponding to bit 1 of each PCM word, the first bit transmitted). PIN[0] is the least significant bit (corresponding to bit 16 of each PCM word, the last bit transmitted). PIN[15:0] is sampled on the rising edge of PCLK.
PICKP PICKN	Internally Biased Diff. LVPECL	I	A4 A3	Parallel Input Clock. A divide-by-16, nominally 50% duty cycle input clock, to which PIN[15:0] is aligned. PCLK is used to transfer the data on the PIN inputs into a holding register in the parallel-to-serial converter. The rising edge of PCLK samples PIN[15:0].
CAP1 CAP2	Analog	I	R5 T5	Loop Filter Capacitor. The external loop filter capacitor and resistors are connected to these pins. See Figure 26.
IVREF	DC	I	C4	Single-ended LVPECL input reference voltage.
PHINIT	Single Ended LVPECL	I	G2	Phase Initialization. Rising edge will realign internal timing.
TSDP TSDN	Diff. CML	O	R11 R12	Transmit Serial Data. Differential CML serial data stream signals, normally connected to an optical transmitter module.
TSCLKP TSCLKN	Diff. CML	O	R8 R9	Transmit Serial Clock. Differential CML TSCLKP/N can be used to retime the TSD signal. This clock frequency will be selected by RATESEL and FECSEL.
PCLKP PCLKN	Diff. LVPECL	O	C6 B6	A reference clock generated by dividing the internal bit clock by 16. It is normally used to coordinate word-wide transfers between upstream logic and the S3067 device.
PHERR	Single Ended LVPECL	O	A5	Phase Error. Pulses High during each PCLK cycle for which there is a potential set-up/hold timing violation between the internal byte clock and PCLK timing domains. PHERR is updated on the falling edge of the PCLK outputs.

Table 7. S3067 Receiver Pin Assignment and Descriptions

Pin Name	Level	I/O	Pin #	Description
RSDP RSDN	Diff. CML	I	H15 G15	Differential CML Receive Serial Data stream signals normally connected to an optical receiver module. Internally biased and terminated.
SDLVPECL	Single Ended LVPECL	I	N16	LVPECL Signal Detect. LVPECL with internal pull-down. Active High when SDTTL is held at logic 0. A single-ended 10K LVPECL input to be driven by the external optical receiver module to indicate a loss of received optical power. When SDLVPECL is inactive, the data on the Receive Serial Data In (RSDP/N) pins will be internally forced to a constant zero. When SDLVPECL is active, data on the RSDP/N pins will be processed normally. When SDTTL is to be connected to the optical receiver module instead of SDLVPECL, then SDLVPECL should be tied High to implement an active Low Signal Detect, or left unconnected to implement an active High Signal Detect.
SDTTL	LVTTTL	I	P16	LVTTTL Signal Detect. Active High when SDLVPECL is unconnected (logic 0). Active Low when SDLVPECL is held at logic 1. A single-ended LVTTTL input to be driven by the external optical receiver module to indicate a loss of received optical power. When SDTTL is inactive, the data on the RSDP/N pins will be internally forced to a constant zero. When SDTTL is active, data on the RSDP/N pins will be processed normally.
RSCLKP RSCLKN	Diff. CML	I	L15 K15	Receive Serial Clock. Used to supply a clock input for the RSDP/N inputs. Internally biased and terminated.
POUT0 POUT1 POUT2 POUT3 POUT4 POUT5 POUT6 POUT7 POUT8 POUT9 POUT10 POUT11 POUT12 POUT13 POUT14 POUT15	Single Ended LVPECL	O	F14 E16 D16 E14 C16 D15 D14 C15 B15 A14 C13 A13 C12 B12 C11 B11	Parallel data output bus, a divide by 16, aligned to the POCLK parallel output clock. POUT15 is the most significant bit (corresponding to bit 1 of each PCM word, the first bit received). POUT0 is the least significant bit. POUT[15:0] is updated on the falling edge of POCLK.
POCLKP POCLKN	Diff. LVPECL	O	B10 C10	Parallel Output Clock. A divide by 16, nominally 50% duty cycle, output clock that is aligned to POUT [15:0] word serial output data. POUT[15:0] is updated on the falling edge of POCLK.
OVREF	DC	O	B14	Single-ended LVPECL reference voltage. Tracks midswing voltage of parallel output data bus.

Table 8. S3067 Common Pin Assignment and Descriptions

Pin Name	Level	I/O	Pin #	Description
SQUELCH	LVTTTL	I	R16	RSCLK Clock Squelch. Active High. When SQUELCH is active and SD is inactive, the transmit clock will be used in place of the RSCLK.
REFCLKP REFCLKN	Internally Biased Diff. LVPECL	I	M2 L3	Reference Clock Input. Used as the reference for the internal bit clock frequency synthesizer.
DLEB	LVTTTL	I	N15	Diagnostic Loopback Enable. Active Low. Selects diagnostic loopback. When DLEB is High, the S3067 device uses the primary data (RSD) and clock (RSCLK) inputs. When Low, the S3067 device uses the diagnostic loopback clock and data from the transmitter. TSD/TSCLK are active in DLEB.
LLEB	LVTTTL	I	N14	Line Loopback Enable. Active Low. Selects line loopback. When LLEB is Low, the S3067 will route the data from the RSD/RSCLK inputs to the TSD/TSCLK outputs.
KILLRXCLK	LVTTTL	I	M14	Kill Receive Clock Input. For normal operation, KILLRXCLK is High. When this input is Low, it will force POCLK output to a logic "0" state.
SLPTIME	LVTTTL	I	T1	Serial Clock Loop Time Select input. Active High. When High, SLPTIME enables the recovered clock from the receive section to be used in place of the synthesized transmit clock.
RLPTIME	LVTTTL	I	T2	Reference Clock Looptime Select input. Active High. When High, RLPTIME enables POCLK from the receiver to be used as the reference clock input to the transmitter.
RSTB	LVTTTL	I	P15	Master Reset. Reset input for the device, Active Low. During Reset, all clocks are disabled.
TESTEN	LVTTTL	I	N2	Test Enable. Used for production testing. Low for normal operation.
155MCKP 155MCKN	Diff. LVPECL	O	R14 T15	VCO ÷ by 16 Clock Output from the clock synthesizer. This output should be connected to the reference clock input of the external clock recovery function (such as the S3066). It is recommended to tie 155MCKP/N to VCC when not used.
19MCK	Single Ended LVPECL	O	P14	VCO ÷ by 128 Clock Output from the clock synthesizer. This output should be connected to the reference clock input of the external clock recovery function. It is recommended to tie 19MCK to VCC when not used.
LOCKDET	LVTTTL	O	H1	Lock Detect. Active High. Goes active after the PLL has locked to the clock provided on the REFCLK pins. LOCKDET is an asynchronous output.

Table 8. S3067 Common Pin Assignment and Descriptions (Continued)

Pin Name	Level	I/O	Pin #	Description
RATESEL0 RATESEL1	LVTTTL	I	R2 P3	Rate Select. Selects the operating mode. (See Table 2.)
BYPASSCLKP BYPASSCLKN	Differential CML	I	K2 J2	Bypass Clock. Provides an alternative serial clock bypassing the internal VCO.
BYPASS	LVTTTL	I	M3	Active High. Selects between BYPASS clock and the VCO clock.
FECSEL [2:0]	LVTTTL	I	R1, P2, N3	FEC Select. Selects the error correcting capability. (See Table 3.)
AGND	GND		P4, P5, R4, R6, T6	Ground (0V)
AVCC	+3.3V		P6, T3, T4	Power Supply
LVPECLPOW	+3.3V		A6, A10, A12, B4, C14, D1, E15, G14, J1, K3, L14, N1, P8, P9, P10, P12, R15	Power Supply
LVPECLGND	GND		A11, B5, B13, B16, C5, D3, F15, F16, G1, H2, H14, J3, K14, M1, P7, R7, T14	Ground (0V)
COREPOW	+3.3V		A7, A9, J16, L2, P13	Power Supply
COREGND	GND		A8, B8, K16, L1, T13	Ground (0V)
TTLPOW	+3.3V		P1, T16	Power Supply
TTLGND	GND		M15, R3	Ground (0V)
TCGND	GND		T7, T9	Ground (0V)
TDGND	GND		R10, T12	Ground (0V)
NC			A15, A16, B7, B9, C7, C8, C9, H3, G16, H16, J14, J15, K1, L16, M16, P11, R13, T8, T10, T11	Not Connected

Figure 6. S3067 Pinout-Bottom View

	A	B	C	D	E	F	G	H	J	K	L	M	N	P	R	T										
1	PIN4	PIN6	PIN9	LVPECL POW	PIN13	PIN14	LVPECL GND	LOCKDET	LVPECL POW	NC	CORE GND	LVPECL GND	LVPECL POW	TTLPOW	FECSEL2	SLPTIME										
2	PIN0	PIN2	PIN5	PIN7	PIN10	PIN12	PHINIT	LVPECL GND	BYPASS CLKN	BYPASS CLKP	CORE POW	REFCLKP	TESTEN	FECSEL1	RATE SEL0	RLPTIME										
3	PICLKN	PIN1	PIN3	LVPECL GND	PIN8	PIN11	PIN15	NC	LVPECL GND	LVPECL POW	REFCLKN	BYPASS	FECSEL0	RATE SEL1	TTLGND	AVCC										
4	PICLKP	LVPECL POW	IVREF	156 Pin TBGA BOTTOM VIEW										AGND	AGND	AVCC										
5	PHERR	LVPECL GND	LVPECL GND											AGND	CAP1	CAP2										
6	LVPECL POW	PCLKN	PCLKP											AVCC	AGND	AGND										
7	CORE POW	NC	NC											LVPECL GND	LVPECL GND	TCGND										
8	CORE GND	CORE GND	NC											LVPECL POW	TSCLKP	NC										
9	CORE POW	NC	NC											LVPECL POW	TSCLKN	TCGND										
10	LVPECL POW	POCLKP	POCLKN											LVPECL POW	TDGND	NC										
11	LVPECL GND	POUT15	POUT14											NC	TSDP	NC										
12	LVPECL POW	POUT13	POUT12											LVPECL POW	TSDN	TDGND										
13	POUT11	LVPECL GND	POUT10											CORE POW	NC	CORE GND										
14	POUT9	OVREF	LVPECL POW											POUT6	POUT3	POUT0	LVPECL POW	LVPECL GND	NC	LVPECL GND	LVPECL POW	KILLRX CLK	LLEB	19MCK	155MCKP	LVPECL GND
15	NC	POUT8	POUT7											POUT5	LVPECL POW	LVPECL GND	RSDN	RSDP	NC	RSCLKN	RSCLKP	TTLGND	DLEB	RSTB	LVPECL POW	155MCKN
16	NC	LVPECL GND	POUT4											POUT2	POUT1	LVPECL GND	NC	NC	CORE POW	CORE GND	NC	NC	SDLV PECL	SDTTL	SQUELCH	TTLPOW

Figure 7. S3067 Pinout-Top View

T	R	P	N	M	L	K	J	H	G	F	E	D	C	B	A	
SLPTIME	FECSEL2	TTLPOW	LVPECL POW	LVPECL GND	CORE GND	NC	LVPECL POW	LOCKDET	LVPECL GND	PIN14	PIN13	LVPECL POW	PIN9	PIN6	PIN4	1
RLPTIME	RATE SEL0	FECSEL1	TESTEN	REFCLKP	CORE POW	BYPASS CLKP	BYPASS CLKN	LVPECL GND	PHINIT	PIN12	PIN10	PIN7	PIN5	PIN2	PIN0	2
AVCC	TTLGND	RATE SEL1	FECSEL0	BYPASS	REFCLKN	LVPECL POW	LVPECL GND	NC	PIN15	PIN11	PIN8	LVPECL GND	PIN3	PIN1	PICLKN	3
AVCC	AGND	AGND	156 Pin TBGA TOP VIEW										IVREF	LVPECL POW	PICLKP	4
CAP2	CAP1	AGND											LVPECL GND	LVPECL GND	PHERR	5
AGND	AGND	AVCC											PCLKP	PCLKN	LVPECL POW	6
TCGND	LVPECL GND	LVPECL GND											NC	NC	CORE POW	7
NC	TSCLKP	LVPECL POW											NC	CORE GND	CORE GND	8
TCGND	TSCLKN	LVPECL POW											NC	NC	CORE POW	9
NC	TDGND	LVPECL POW											POCLKN	POCLKP	LVPECL POW	10
NC	TSDP	NC											POUT14	POUT15	LVPECL GND	11
TDGND	TSDN	LVPECL POW											POUT12	POUT13	LVPECL POW	12
CORE GND	NC	CORE POW											POUT10	LVPECL GND	POUT11	13
LVPECL GND	155MCKP	19MCK	LLEB	KILLRX CLK	LVPECL POW	LVPECL GND	NC	LVPECL GND	LVPECL POW	POUT0	POUT3	POUT6	LVPECL POW	OVREF	POUT9	14
155MCKN	LVPECL POW	RSTB	DLEB	TTLGND	RSCLKP	RSCLKN	NC	RSDP	RSDN	LVPECL GND	LVPECL POW	POUT5	POUT7	POUT8	NC	15
TTLPOW	SQUELCH	SDTTL	SDLV PECL	NC	NC	CORE GND	CORE POW	NC	NC	LVPECL GND	POUT1	POUT2	POUT4	LVPECL GND	NC	16

Figure 8. 156 Pin TBGA Package

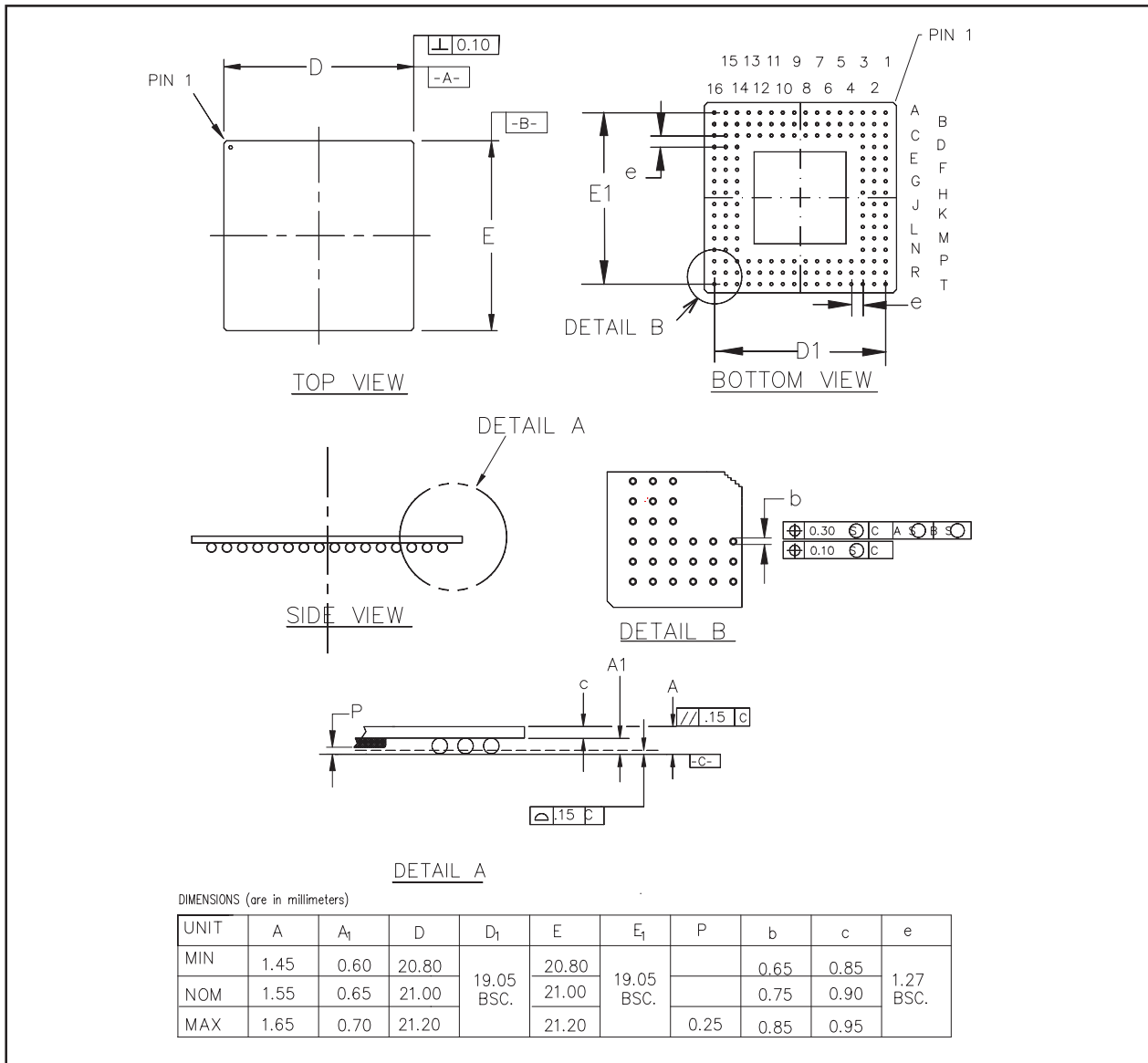


Table 9. Thermal Management

Device	Max Package Power	Θ_{ja} (Still Air)	Θ_{jc}	Conditions
S3067	2.5 W	18.6° C/W	1° C/W	Commercial use only (0 to 70° C).
S3067	2.5 W	15.8° C/W		Industrial use. 100 LFPM airflow.
S3067	2.5 W	14.57° C/W		Industrial use (-20 to 85° C). HTS278D heatsink from chip coolers.

Table 10. Performance Specifications

Parameter	Min	Typ	Max	Units	Conditions
Nominal VCO Center Frequency	2.10		2.67	GHz	
Output Jitter STS-48 STS-24/Gigabit Ethernet (Not tested) STS-12 STS-3			0.005 0.005 0.005 0.005	UI (rms)	Note: Output jitter measured at SONET operating rate using appropriate filter. rms jitter, in lock.
Reference Clock Frequency Tolerance	-100		+100	ppm	± 20 is required to meet SONET output frequency specification.
Reference Clock Input Duty Cycle	45		55	%	
Reference Clock Rise and Fall Times			1.5	ns	10% to 90% of amplitude.

Table 11. Absolute Maximum Ratings

Parameter	Min	Typ	Max	Units
Storage Temperature	-65		150	° C
Voltage on V _{CC} with respect to GND	-0.5		+3.6	V
Voltage on any LVPECL Input Pin	0		V _{CC}	V
High Speed LVPECL Output Source Current			24	mA

ESD Ratings

The S3067 is rated to the following voltages based on the human body model:

1. All pins are rated above 200 V.

Table 12. Recommended Operating Conditions

Parameter	Min	Typ	Max	Units
Ambient Temperature Under Bias	-20		85	° C
Voltage on V _{CC} with respect to GND	3.135	3.3	3.465	V
Voltage on any LVPECL Input Pin	V _{CC} -2		V _{CC}	V
Voltage on any LVTTTL Input Pin	0		V _{CC}	V
ICC ¹		455	606	mA

1. Outputs unterminated.

Table 13. LVTTTL Input/Output DC Characteristics

Parameter	Description	Min	Typ	Max	Units	Conditions
V_{IH}	Input High Voltage	2.0		TTL V_{CC}	V	TTL $V_{CC} = \text{Max}$
V_{IL}	Input Low Voltage	0.0		0.8	V	TTL $V_{CC} = \text{Max}$
I_{IH}	Input High Current			50	μA	$V_{IN} = 2.4 \text{ V}$
I_{IL}	Input Low Current	-500			μA	$V_{IN} = 0.5 \text{ V}$
V_{OH}	Output High Voltage	2.4			V	$V_{CC} = \text{Min}$ $I_{OH} = -100 \mu\text{A}$
V_{OL}	Output Low Voltage			0.5	V	$V_{CC} = \text{Min}$ $I_{OL} = 1.5 \text{ mA}$

Table 14. Internally Biased Differential LVPECL Input DC Characteristics

Parameter	Description	Min	Typ	Max	Units	Conditions
V_{IL}	LVPECL Input Low	$V_{CC} - 2.0$		$V_{CC} - 1.4$	V	
V_{IH}	LVPECL Input High	$V_{CC} - 1.25$		$V_{CC} - 0.55$	V	
ΔV_{INDIFF}	Diff. Input Voltage Swing	400		2400	mV	See Figure 13.
$\Delta V_{INSINGLE}$	Single Ended Input Voltage Swing	200		1200	mV	See Figure 13.
V_{BIAS}	Input DC Bias	$V_{CC} - 0.65$	$V_{CC} - 0.5$	$V_{CC} - 0.35$	V	

Table 15. Differential LVPECL Output DC Characteristics

Parameter	Description	Min	Typ	Max	Units	Conditions
$\Delta V_{OUTSINGLE}$	Single Ended Output Voltage Swing	500		950	mV	51 Ω to $V_{CC} - 2$. See Figure 13.
$\Delta V_{OUTDIFF}$	Diff. Output Voltage Swing	1000		1900	mV	51 Ω to $V_{CC} - 2$. See Figure 13.
V_{OH}	Output High Voltage	$V_{CC} - 1.2$		$V_{CC} - 0.65$	V	51 Ω to $V_{CC} - 2$
V_{OL}	Output Low Voltage	$V_{CC} - 1.95$		$V_{CC} - 1.50$	V	51 Ω to $V_{CC} - 2$

Table 16. Single-Ended LVPECL Input DC Characteristics¹

Parameters	Description	Min	Typ	Max	Units	Conditions
V _{IL}	PECL Input Low Voltage	V _{CC} -2.0		V _{CC} -1.5	V	Guaranteed at -20° C.
V _{IL}	PECL Input Low Voltage	V _{CC} -2.0		V _{CC} -1.441	V	Guaranteed at 85° C.
V _{IH}	PECL Input High Voltage	V _{CC} -1.2		V _{CC} -0.75	V	Guaranteed at -20° C.
V _{IH}	PECL Input High Voltage	V _{CC} -1.023		V _{CC} -0.55	V	Guaranteed at 85° C.
IVREF	Single-Ended LVPECL DC Bias Voltage	V _{IL} +180		V _{IH} -180	mV	
I _I for IVREF	Maximum Input Current		500	750	μA	

1. The AMCC LVPECL inputs (V_{IL} and V_{IH}) are non-temperature compensated I/O which vary at 1.3 mV/°C

Table 17. Single-Ended LVPECL Output DC Characteristics¹

Parameters	Description	Min	Typ	Max	Units	Conditions
V _{OL}	PECL Output Low Voltage	V _{CC} -1.98		V _{CC} -1.63	V	Guaranteed at -20° C.
V _{OL}	PECL Output Low Voltage	V _{CC} -1.98		V _{CC} -1.57		Guaranteed at 85° C.
V _{OH}	PECL Output High Voltage	V _{CC} -1.1		V _{CC} -0.850	V	Guaranteed at -20° C.
V _{OH}	PECL Output High Voltage	V _{CC} -0.95		V _{CC} -0.673		Guaranteed at 85° C.
OVREF	Single-Ended LVPECL DC Bias Voltage	V _{CC} -1.6		V _{CC} -1.20	V	(V _{OH} -OVREF)MIN>250 mV (OVREF-V _{OL})MIN>250 mV
I _O for OVREF	Maximum Output Current		500	750	μA	

1. The AMCC LVPECL outputs are non-temperature compensated I/O which vary at 1.3 mV/°C

Table 18. CML Output DC Characteristics

Parameter	Description	Min	Typ	Max	Units	Condition
V_{OL} (Data)	CML Output Low Voltage	V_{CC} -1.0		V_{CC} -0.65	V	100 Ω line to line.
V_{OH} (Data)	CML Output High Voltage	V_{CC} -0.35		V_{CC} -0.2	V	100 Ω line to line.
$\Delta V_{OUTDIFF}$ (Data)	CML Serial Output Differential Voltage Swing	800		1600	mV	100 Ω line to line. See Figure 13.
$\Delta V_{OUTSINGLE}$ (Data)	CML Serial Output Single-ended Voltage Swing	400		800	mV	100 Ω line to line at 2.5 Gbps. See Figure 13.
V_{OL} (Clock)	CML Output Low Voltage	V_{CC} -1.5		V_{CC} -0.85	V	100 Ω line to line.
V_{OH} (Clock)	CML Output High Voltage	V_{CC} -0.5		V_{CC} -0.25	V	100 Ω line to line.
$\Delta V_{OUTDIFF}$ (Clock)	CML Serial Output Differential Voltage Swing	800		1800	mV	100 Ω line to line. See Figure 13.
$\Delta V_{OUTSINGLE}$ (Clock)	CML Serial Output Single-ended Voltage Swing	400		900	mV	100 Ω line to line at 2.5 GHz. See Figure 13.

Table 19. CML Input DC Characteristics

Parameter	Description	Min	Typ	Max	Units	Conditions
V_{IL}	CML Input Low	V_{CC} -1.7		V_{CC} -0.6	V	
V_{IH}	CML Input High	V_{CC} -0.55		V_{CC} -0.15	V	
ΔV_{INDIFF}	Differential Input Voltage Swing	300		2400	mV	See Figure 13.
$\Delta V_{INSINGLE}$	Single-ended Input Voltage Swing	150		1200	mV	See Figure 13.
R_{DIFF}	Differential Input Resistance	80	100	120	Ω	

Table 20. Transmitter AC Timing Characteristics

Parameter	Description	Min	Max	Units
	TSCLK Frequency		2.7	GHz
	BYPASS Clock Frequency		2.7	GHz
	TSCLK Duty Cycle	43	57	%
	TSCLK Duty Cycle Distortion w.r.t. RSCLK or BYPASSCLK (In SLPTIME, LLEB or BYPASS modes)		5.0	%
	PICLK Duty Cycle	35	65	%
$t_{S_{PIN}}$	PIN [15:0] Set-up Time w.r.t. PICLK (See Figure 9)	1.5		ns
$t_{H_{PIN}}$	PIN [15:0] Hold Time w.r.t. PICLK (See Figure 9)	0.5		ns
$t_{P_{CLK}}$	PCLK to PICLK drift after the FIFO is centered		5.2	ns
$t_{S_{TSD}}$	TSD Set-up Time w.r.t. TSCLK Rising (See Figure 9)	100		ps
$t_{H_{TSD}}$	TSD Hold Time w.r.t. TSCLK Rising (See Figure 9)	100		ps
	PCLKP/N Duty Cycle	45	55	%

Figure 9. Transmitter Input Timing¹

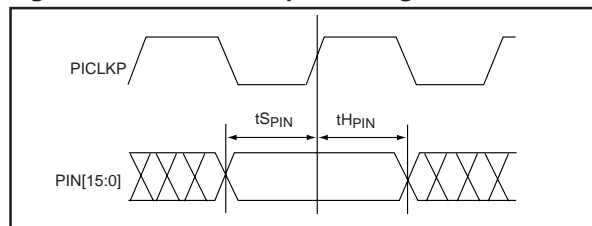
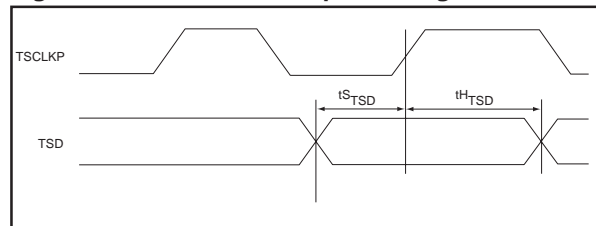


Figure 10. Transmitter Output Timing¹



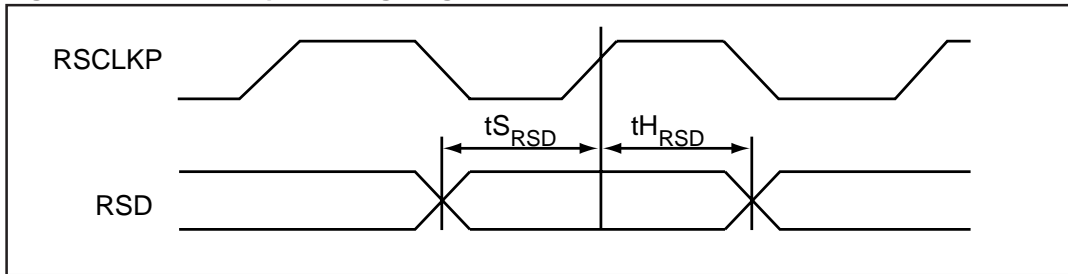
Notes on High-Speed Timing:

1. Timing is measured from the cross-over point of the reference signal to the 50% level of the input/output.

Table 21. AC Receiver Timing Characteristics

Symbol	Description	Min	Max	Units
	POCLK Duty Cycle	45	55	%
$t_{P_{POUT}}$	POCLK Low to POUT [15:0] Valid Prop. Delay (See Figure 12)	-1.8	+1.8	ns
$t_{S_{POUT}}$	POUT [15:0] Set-Up Time w.r.t. POCLK (2.1 GHz – 2.488 GHz) (See Figure 11)	2.25		ns
$t_{S_{POUT}}$	POUT[15:0] Set-up Time w.r.t. POCLK (2.488 – 2.67 GHz) (See Figure 11)	2		ns
$t_{H_{POUT}}$	POUT[15:0] Hold Time w.r.t. POCLK (See Figure 11)	2		ns
$t_{S_{RSD}}$	RSD Set-up Time w.r.t. RSCLK (See Figure 11)	75		ps
$t_{H_{RSD}}$	RSD Hold Time w.r.t. RSCLK (See Figure 11)	75		ps
	RSCLK Duty Cycle	40	60	%
	RSCLK Frequency		2.7	GHz

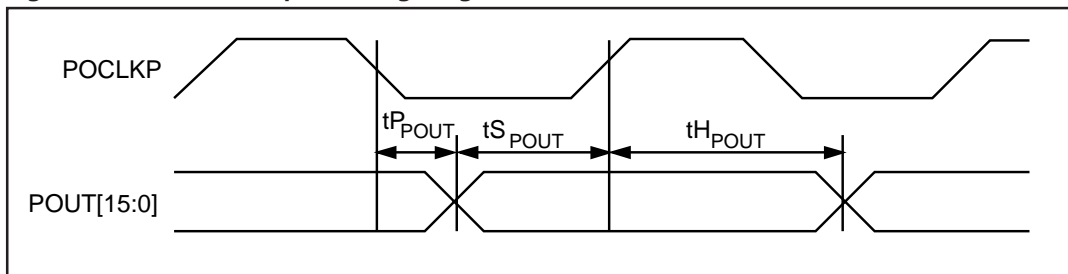
Figure 11. Receiver Input Timing Diagram¹



Notes on High-Speed LVPECL Input Timing:

1. Timing is measured from the cross-over point of the reference signal to the 50% level of the output.

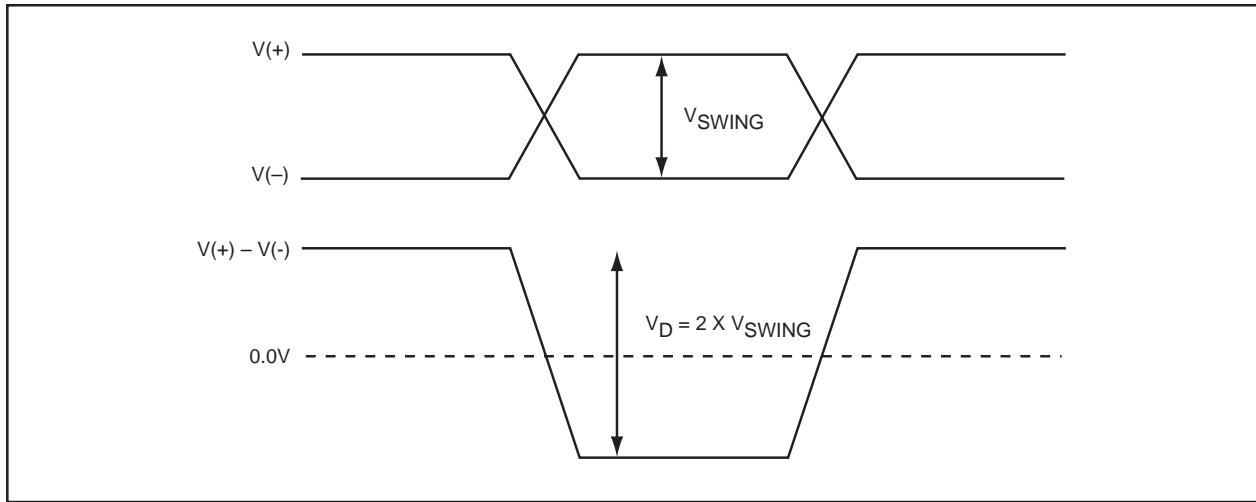
Figure 12. Receiver Output Timing Diagram¹



Notes on High-Speed LVPECL Input Timing:

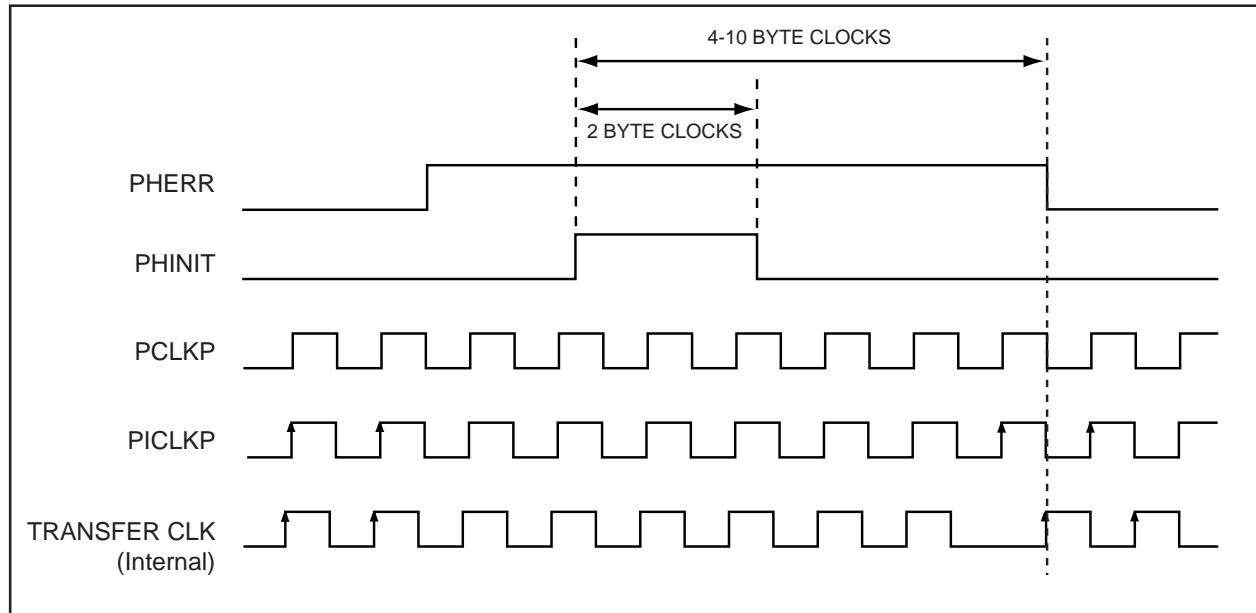
1. Timing is measured from the cross-over point of the reference signal to the 50% level of the output.

Figure 13. Differential Voltage Measurement



Note: $V(+)-V(-)$ is the algebraic difference of the input signals.

Figure 14. Phase Adjust Timing¹



1. Byte Clock = 155.52 MHz

Figure 15. S3076 to S3067 Differential CML Input Termination

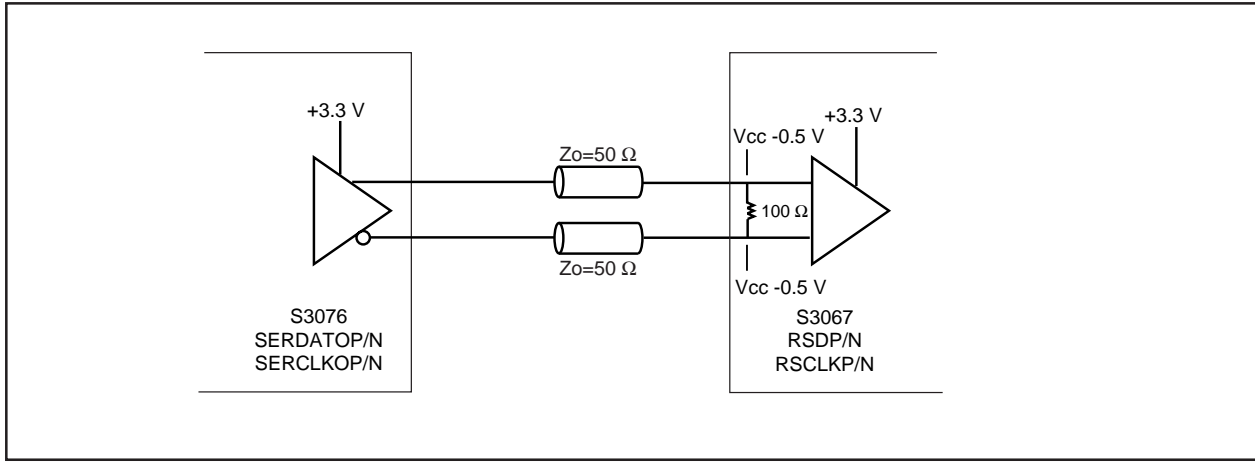


Figure 16. +5V Differential CML Driver to S3067 Differential CML Input AC Coupled Termination

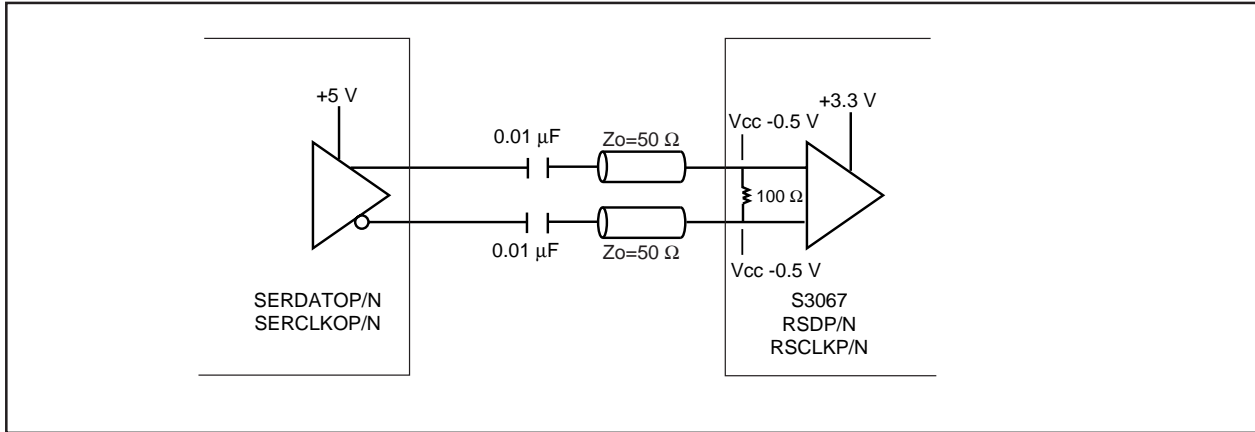


Figure 17. Single-Ended LVPECL Driver to S3067 Single-Ended LVPECL Input Termination

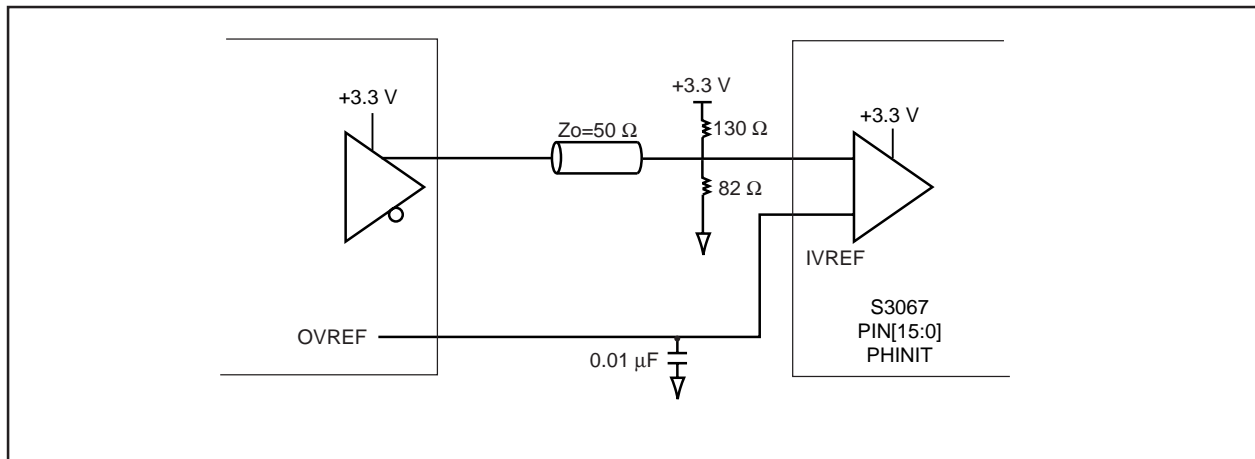


Figure 18. S3067 Differential CML Output to +5V PECL Input AC Coupled Termination

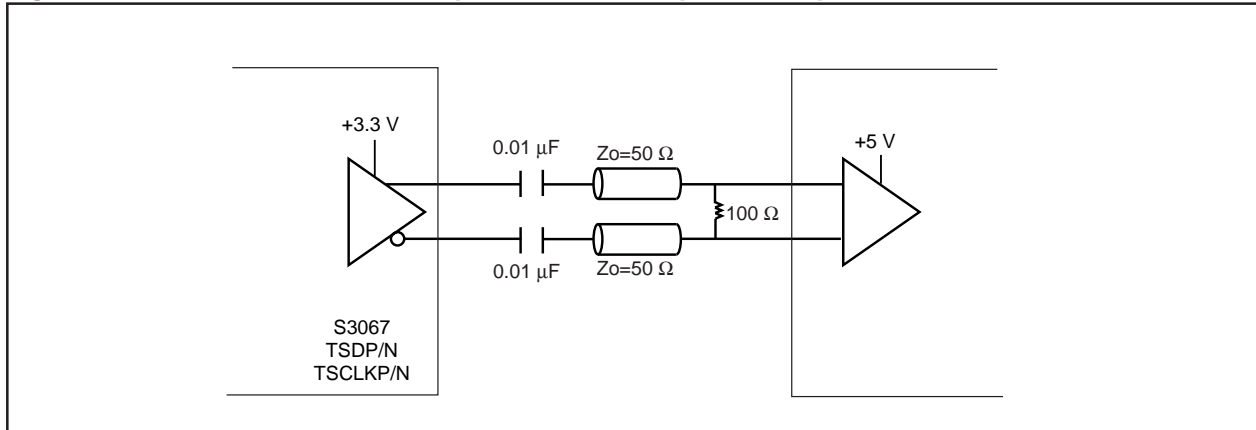


Figure 19. S3067 Single-Ended LVPECL Driver to Single-Ended LVPECL Input Termination

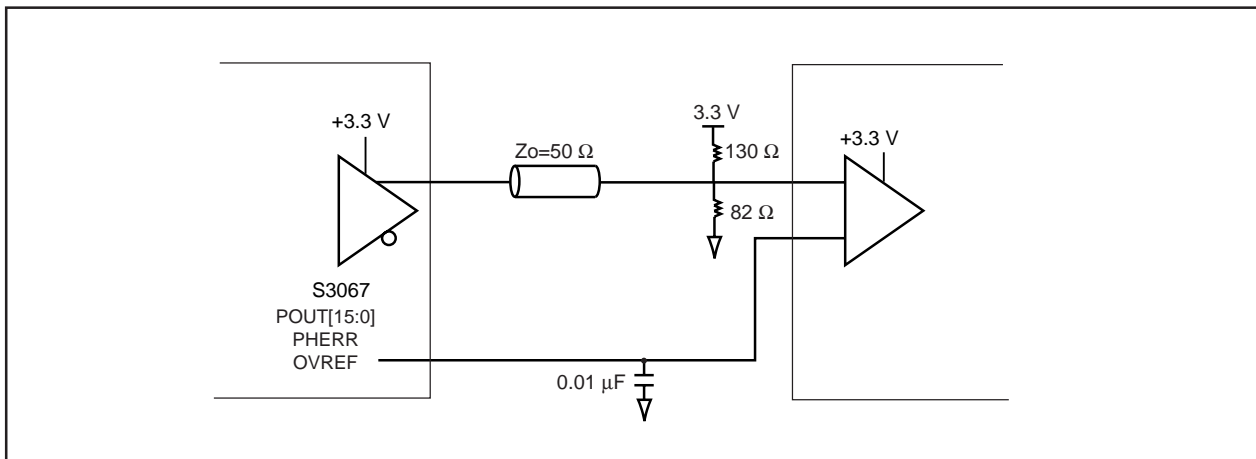


Figure 20. S3067 Single-Ended LVPECL Driver to Single-Ended LVPECL Input Termination

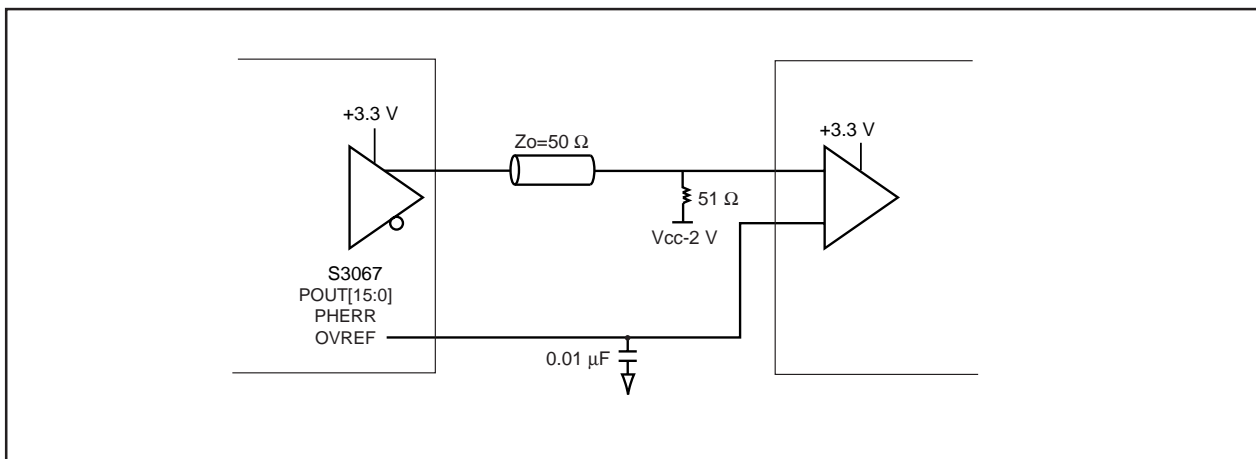


Figure 21. S3067 Single-Ended LVPECL Driver to Differential LVPECL Input Termination

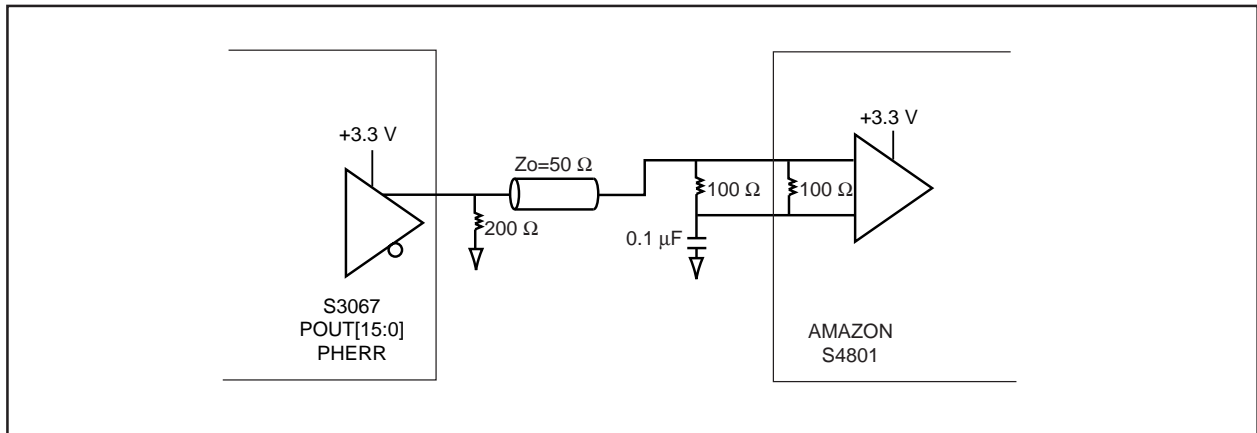


Figure 22. S3067 Differential LVPECL Driver to Differential LVPECL Input Termination

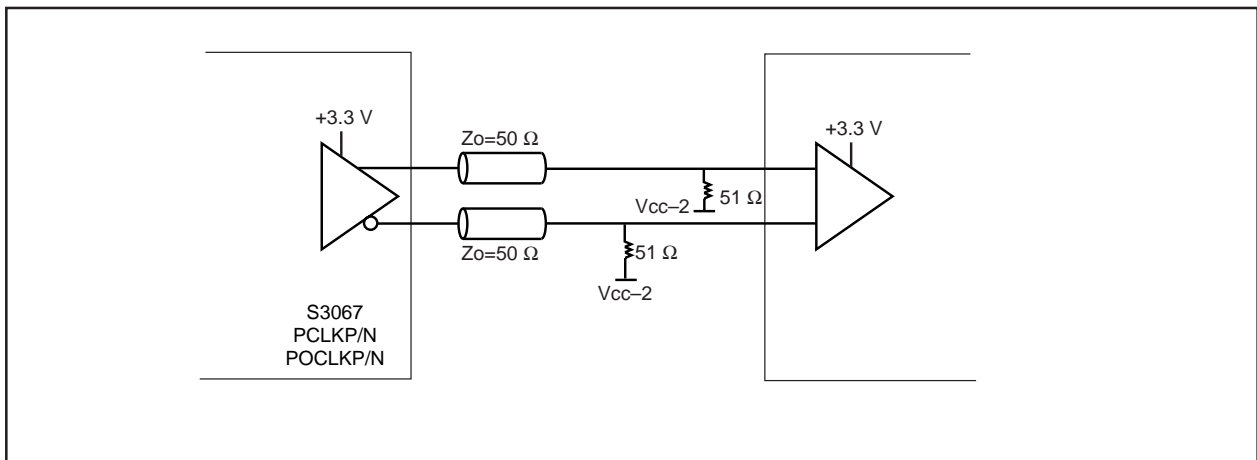


Figure 23. S3067 Differential LVPECL Driver to Differential LVPECL Input Termination

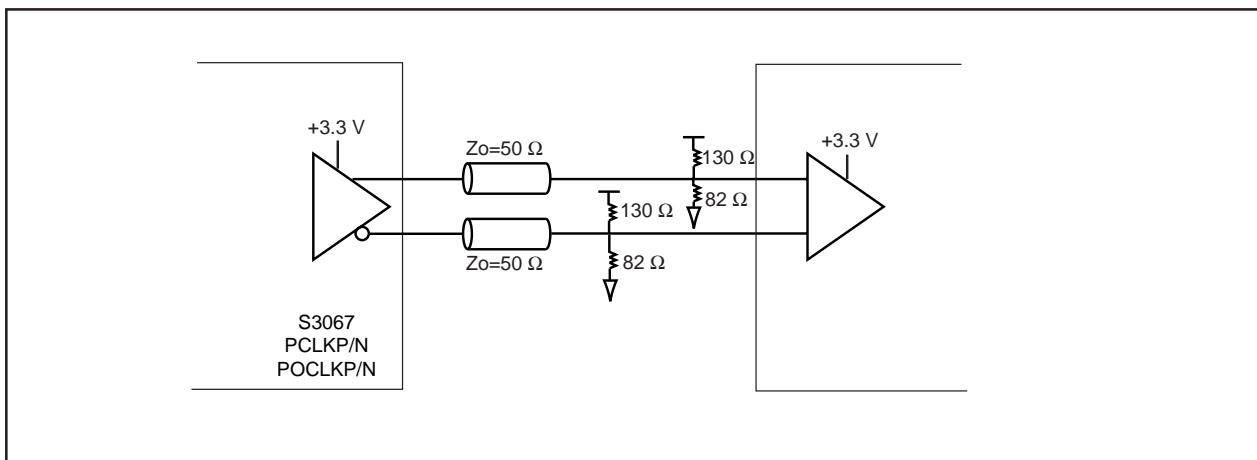
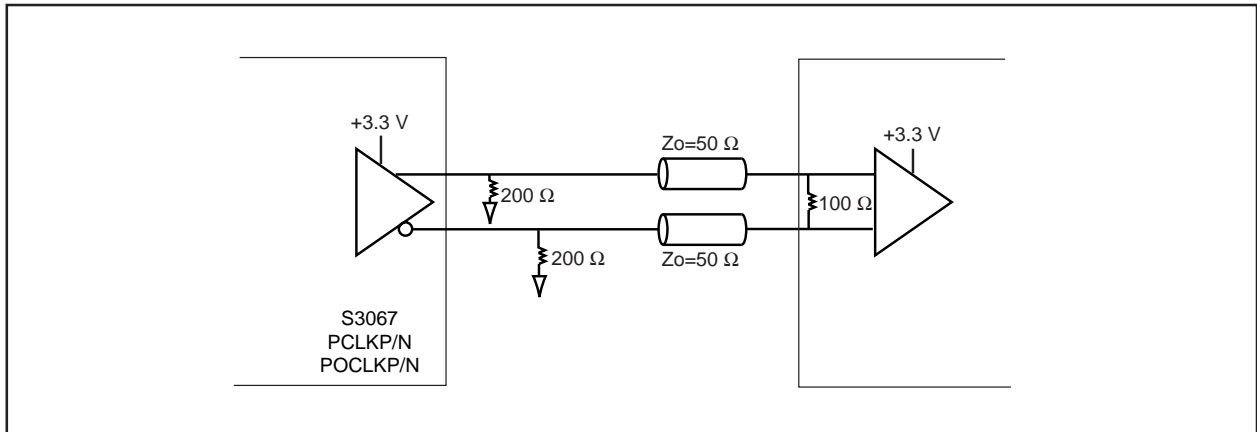


Figure 24. S3067 Differential LVPECL Driver to Differential LVPECL Input Termination¹



1. With 100 Ω line to line, V_{OL} Max increases by 100 mV .

Figure 25. Differential LVPECL Driver to S3067 Internally Biased Differential LVPECL Inputs

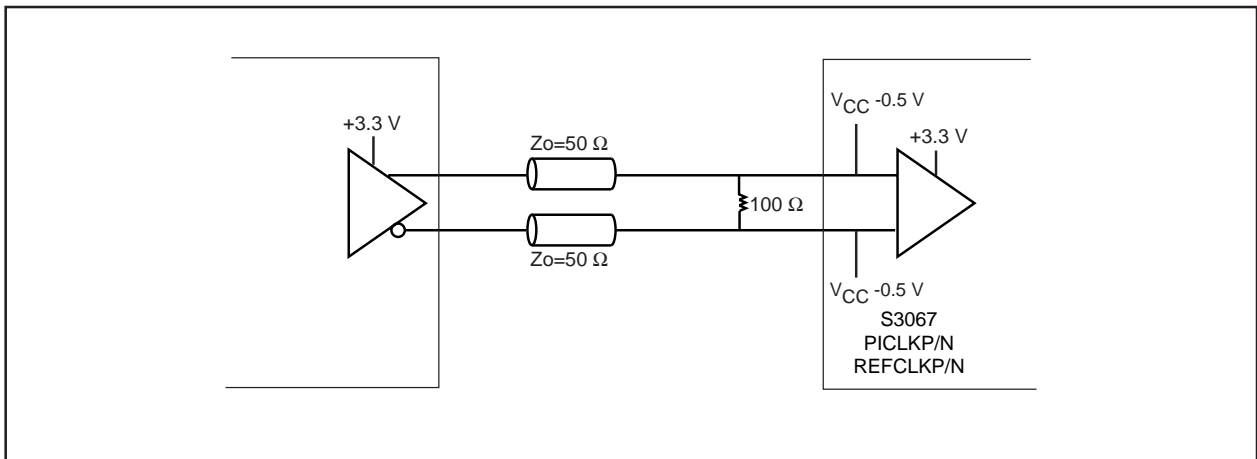
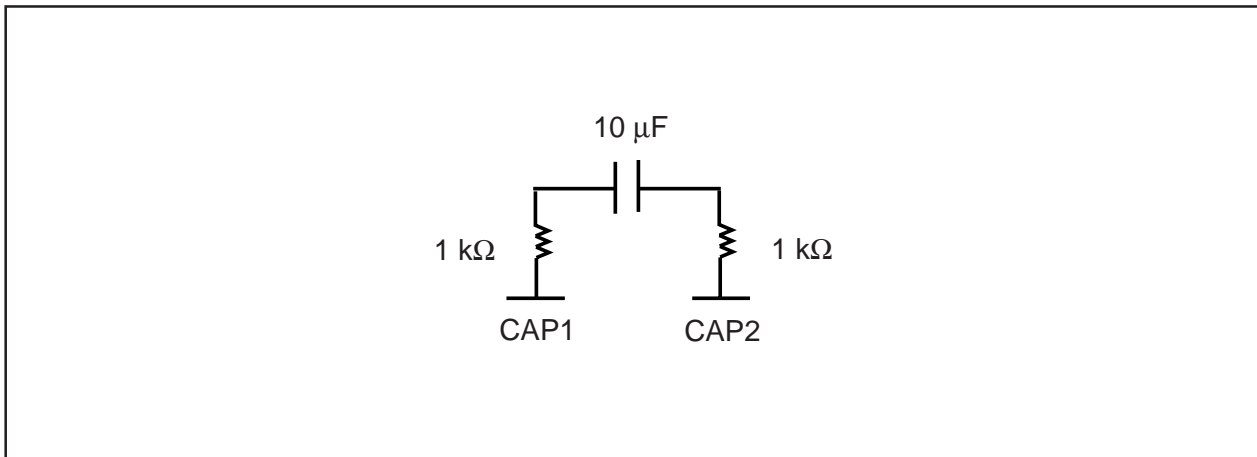


Figure 26. External Loop Filter Components



Ordering Information

PREFIX	DEVICE	PACKAGE	Revision
S – Integrated Circuit	3067	TB – 156 TBGA	20

X XXXX XX XX
 Prefix Part No. Package Revision (S3067TB20)



Applied Micro Circuits Corporation • 6290 Sequence Dr., San Diego, CA 92121

Phone: (858) 450-9333 • (800) 755-2622 • Fax: (858) 450-9885

<http://www.amcc.com>

AMCC reserves the right to make changes to its products or to discontinue any semiconductor product or service without notice, and advises its customers to obtain the latest version of relevant information to verify, before placing orders, that the information being relied on is current.

AMCC does not assume any liability arising out of the application or use of any product or circuit described herein, neither does it convey any license under its patent rights nor the rights of others.

AMCC reserves the right to ship devices of higher grade in place of those of lower grade.

AMCC SEMICONDUCTOR PRODUCTS ARE NOT DESIGNED, INTENDED, AUTHORIZED, OR WARRANTED TO BE SUITABLE FOR USE IN LIFE-SUPPORT APPLICATIONS, DEVICES OR SYSTEMS OR OTHER CRITICAL APPLICATIONS.

AMCC is a registered trademark of Applied Micro Circuits Corporation.
 Copyright © 2002 Applied Micro Circuits Corporation

D476/R1608