

REALTEK 3.3V SINGLE CHIP FAST ETHERNET CONTROLLER WITH POWER MANAGEMENT RTL8139C(L)

| | |
|---|---|
| <ul style="list-style-type: none"> 1. Features: 2 2. General Description..... 3 3. Block Diagram 4 4. Pin Assignments..... 5 5. Pin Descriptions 6 <ul style="list-style-type: none"> 5.1 Power Management/Isolation Interface 6 5.2 PCI Interface..... 6 5.3 FLASH/EEPROM Interface 8 5.4 Power Pins 9 5.5 LED Interface 9 5.6 Attachment Unit Interface 9 5.7 Test and Other Pins..... 9 6. Register Descriptions..... 10 <ul style="list-style-type: none"> 6.1 Receive Status Register in Rx packet header.... 12 6.2 Transmit Status Register..... 13 6.3 ERSR: Early Rx Status Register 14 6.4 Command Register 14 6.5 Interrupt Mask Register 15 6.6 Interrupt Status Register 15 6.7 Transmit Configuration Register 16 6.8 Receive Configuration Register..... 17 6.9 9346CR: 93C46 (93C56) Command Register 19 6.10 CONFIG 0: Configuration Register 0..... 20 6.11 CONFIG 1: Configuration Register 1..... 21 6.12 Media Status Register 22 6.13 CONFIG 3: Configuration Register3..... 22 6.14 CONFIG 4: Configuration Register4..... 24 6.15 Multiple Interrupt Select Register 25 6.16 PCI Revision ID..... 25 6.17 Transmit Status of All Descriptors (TSAD) Register 25 6.18 Basic Mode Control Register..... 26 6.19 Basic Mode Status Register 26 6.20 Auto-negotiation Advertisement Register..... 27 6.21 Auto-Negotiation Link Partner Ability Register 27 6.22 Auto-negotiation Expansion Register 28 6.23 Disconnect Counter 28 6.24 False Carrier Sense Counter 28 6.25 NWay Test Register..... 28 6.26 RX_ER Counter..... 29 6.27 CS Configuration Register..... 29 6.28 Flash Memory Read/Write Register 29 6.29 Config5: Configuration Register 5 30 6.30 Function Event Register 31 6.31 Function Event Mask Register..... 31 6.32 Function Present State Register 32 6.33 Function Force Event Register 32 7. EEPROM Contents 33 | <ul style="list-style-type: none"> 7.1 Summary of EEPROM Registers 35 7.2 Summary of EEPROM Power Management Registers..... 35 8. PCI Configuration Space Registers..... 36 <ul style="list-style-type: none"> 8.1 PCI Configuration Space Table 36 8.2 PCI Configuration Space Functions..... 37 8.3 Default Values After Power-on (RSTB asserted)..... 42 8.4 PCI Power Management Functions 43 8.5 Vital Product Data (VPD)..... 45 9. Functional Description 46 <ul style="list-style-type: none"> 9.1 Transmit Operation 46 9.2 Receive Operation..... 46 9.3 Line Quality Monitor 46 9.4 Clock Recovery Module 46 9.5 Loopback Operation 46 9.6 Tx Encapsulation 46 9.7 Collision..... 46 9.8 Rx Decapsulation 47 9.9 Flow Control..... 47 <ul style="list-style-type: none"> 9.9.1. Control Frame Transmission..... 47 9.9.2. Control Frame Reception..... 47 9.10 LED Functions..... 47 <ul style="list-style-type: none"> 9.10.1 10/100 Mbps Link Monitor..... 47 9.10.2 LED_RX 48 9.10.3 LED_TX 48 9.10.4 LED_TX+LED_RX..... 49 10. Application Diagram 50 11. Electrical Characteristics 51 <ul style="list-style-type: none"> 11.1 Temperature Limit Ratings 51 11.2 DC Characteristics 51 <ul style="list-style-type: none"> 11.2.1 Supply Voltage 51 11.3 AC Characteristics 52 <ul style="list-style-type: none"> 11.3.1 FLASH/BOOT ROM Timing 52 11.3.2 PCI Bus Operation Timing: 54 12. Mechanical Dimensions 60 |
|---|---|

1. Features

- 128 pin QFP/LQFP
 - Integrated Fast Ethernet MAC, Physical chip and transceiver in one chip
 - 10 Mb/s and 100 Mb/s operation
 - Supports 10 Mb/s and 100 Mb/s N-way Auto-negotiation operation
 - PCI local bus single-chip Fast Ethernet controller
 - ◇ Compliant to PCI Revision 2.2
 - ◇ Supports PCI clock 16.75MHz-40MHz
 - ◇ Supports PCI target fast back-to-back transaction
 - ◇ Provides PCI bus master data transfers and PCI memory space or I/O space mapped data transfers of RTL8139C(L)'s operational registers
 - ◇ Supports PCI VPD (Vital Product Data)
 - ◇ Supports ACPI, PCI power management
 - Supports CardBus. The CIS can be stored in 93C56 or expansion ROM
 - Supports up to 128K bytes Boot ROM interface for both EPROM and Flash memory
 - Supports 25MHz crystal or 25MHz OSC as the internal clock source. The frequency deviation of either crystal or OSC must be within 50 PPM.
 - Compliant to PC99 standard
 - Supports Wake-On-LAN function and remote wake-up (Magic Packet*, LinkChg and Microsoft® wake-up frame)
 - Supports 4 Wake-On-LAN (WOL) signals (active high, active low, positive pulse, and negative pulse)
 - Supports auxiliary power-on internal reset, to be ready for remote wake-up when main power still remains off
 - Supports auxiliary power auto-detect, and sets the related capability of power management registers in PCI configuration space.
 - Includes a programmable, PCI burst size and early Tx/Rx threshold.
 - Supports a 32-bit general-purpose timer with the external PCI clock as clock source, to generate timer-interrupt
 - Contains two large (2Kbyte) independent receive and transmit FIFO's
 - Advanced power saving mode when LAN function or wakeup function is not used
 - Uses 93C46 (64*16-bit EEPROM) or 93C56 (128*16-bit EEPROM) to store resource configuration, ID parameter, and VPD data. The 93C56 can also be used to store the CIS data structure for CardBus application.
 - Supports LED pins for various network activity indications
 - Supports digital and analog loopback capability on both ports
 - Half/Full duplex capability
 - Supports Full Duplex Flow Control (IEEE 802.3x)
 - 3.3V power supply with 5V tolerant I/Os.
- * Third-party brands and names are the property of their respective owners.

Note: The model number of the QFP package is RTL8139C. The LQFP package model number is RTL8139CL.

2. General Description

The Realtek RTL8139C(L) is a highly integrated and cost-effective single-chip Fast Ethernet controller that provides 32-bit performance, PCI bus master capability, and full compliance with IEEE 802.3u 100Base-T specifications and IEEE 802.3x Full Duplex Flow Control. It also supports Advanced Configuration Power management Interface (ACPI), PCI power management for modern operating systems that are capable of Operating System Directed Power Management (OSPM) to achieve the most efficient power management possible. The RTL8139C(L) is suitable for applications such as CardBus or mobile devices with a built-in network controller. The CIS data can be stored in either a 93C56 EEPROM or expansion ROM.

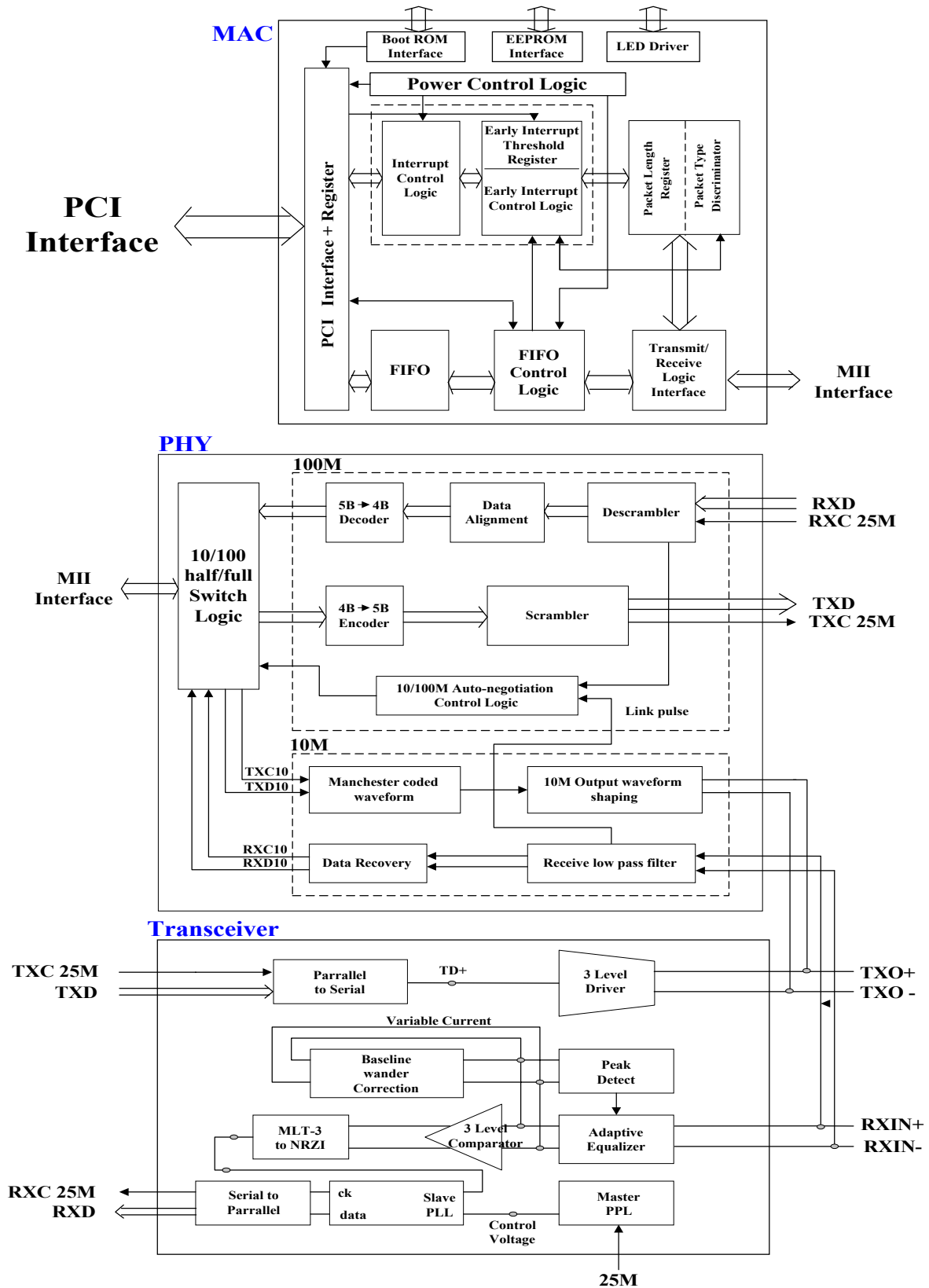
In addition to the ACPI feature, the RTL8139C(L) also supports remote wake-up (including AMD Magic Packet, LinkChg, and Microsoft wake-up frame) in both ACPI and APM environments. The RTL8139C(L) is capable of performing an internal reset through the application of auxiliary power. When auxiliary power is on and the main power remains off, the RTL8139C(L) is ready and waiting for the Magic Packet or Link Change to wake the system up. Also, the LWAKE pin provides 4 different output signals including active high, active low, positive pulse, and negative pulse. The versatility of the RTL8139C(L) LWAKE pin provides motherboards with the Wake-On-LAN (WOL) function. The RTL8139C(L) also supports Analog Auto-Power-down, that is, the analog part of the RTL8139C(L) can be shut down temporarily according to user requirements or when the RTL8139C(L) is in a power down state with the wakeup function disabled. In addition, when the analog part is shut down and the IsolateB pin is low (i.e. the main power is off), then both the analog and digital parts stop functioning and power consumption of the RTL8139C(L) will be negligible. The RTL8139C(L) also supports an auxiliary power auto-detect function, and will auto-configure related bits of their own PCI power management registers in PCI configuration space.

The PCI Vital Product Data (VPD) is also supported to provide the information that uniquely identifies hardware (i.e., the RTL8139C(L) LAN card). The information may consist of part number, serial number, and other detailed information.

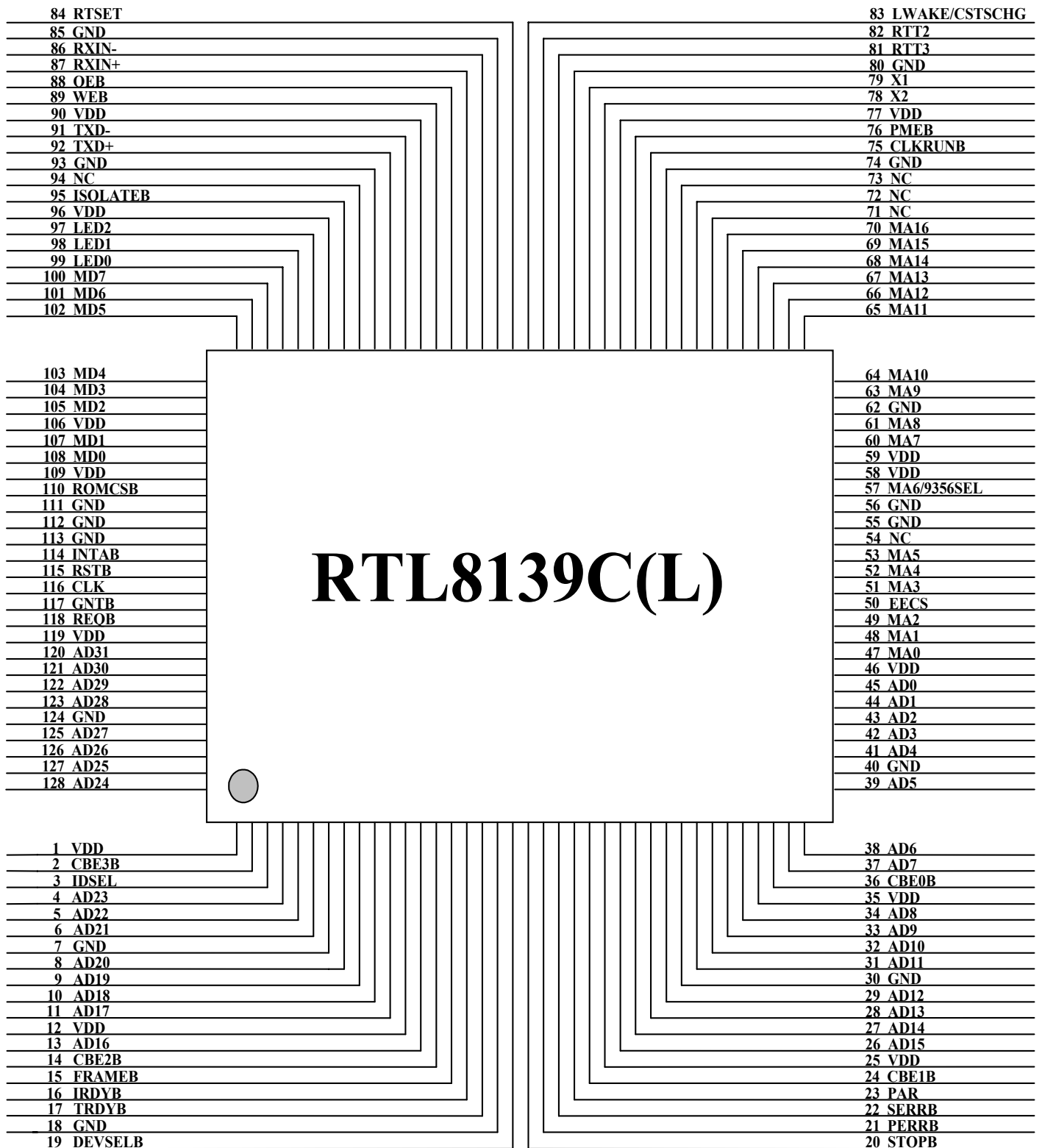
To provide cost down support, the RTL8139C(L) is capable of using a 25MHz crystal or OSC as its internal clock source.

The RTL8139C(L) keeps network maintenance costs low and eliminates usage barriers. It is the easiest way to upgrade a network from 10 to 100Mbps. It also supports full-duplex operation, making 200Mbps bandwidth possible at no additional cost. To improve compatibility with other brands' products, the RTL8139C(L) is also capable of receiving packets with InterFrameGap no less than 40 Bit-Time. The RTL8139C(L) is highly integrated and requires no "glue" logic or external memory. It includes an interface for a boot ROM and can be used in diskless workstations, providing maximum network security and ease of management.

3. Block Diagram



4. Pin Assignments



5. Pin Descriptions

In order to reduce pin count, and therefore size and cost, some pins have multiple functions. In those cases, the functions are separated with a “/” symbol. Refer to the Pin Assignment diagram for a graphical representation.

5.1 Power Management/Isolation Interface

| Symbol | Type | Pin No | Description |
|------------------------|------|--------|--|
| PMEB (PME#) | O/D | 76 | Power Management Event: Open drain, active low. Used by the RTL8139C(L) to request a change in its current power management state and/or to indicate that a power management event has occurred. |
| ISOLATEB (ISOLATE#) | I | 95 | Isolate Pin: Active low. Used to isolate the RTL8139C(L) from the PCI bus. The RTL8139C(L) does not drive its PCI outputs (excluding PME#) and does not sample its PCI input (including RST# and PCICLK) as long as the Isolate pin is asserted. |
| LWAKE/ CSTSCHG | O | 83 | <p>LAN WAKE-UP Signal (When CardB_En=0, bit2 Config3): This signal is used to inform the motherboard to execute the wake-up process. The motherboard must support Wake-On-LAN (WOL). There are 4 choices of output, including active high, active low, positive pulse, and negative pulse, that may be asserted from the LWAKE pin. Please refer to the LWACT bit in the CONFIG1 register and the LWPTN bit in the CONFIG4 register for the setting of this output signal. The default output is an active high signal.</p> <p>Once a PME event is received, the LWAKE and PME# assert at the same time when the LWPME (bit4, CONFIG4) is set to 0. If the LWPME is set to 1, the LWAKE asserts only when the PME# asserts and the ISOLATEB is low.</p> <p>CSTSCHG Signal (When CardB_En=1, bit2 Config3): This signal is used in CardBus applications only and is used to inform the motherboard to execute the wake-up process whenever a PME event occurs. This is always an active high signal, and the setting of LWACT (bit 4, Config1), LWPTN (bit2, Config4), and LWPME (bit4, Config4) mean nothing in this case.</p> <p>This pin is a 3.3V signaling output pin.</p> |

5.2 PCI Interface

| Symbol | Type | Pin No | Description |
|---------|------|---|--|
| AD31-0 | T/S | 120-123, 125-128, 4-6, 8-11, 13, 26-29, 31-34, 37-39, 41-45 | PCI address and data multiplexed pins. |
| C/BE3-0 | T/S | 2, 14, 24, 36 | PCI bus command and byte enables multiplexed pins. |
| CLK | I | 116 | Clock: This PCI Bus clock provides timing for all transactions and bus phases, and is input to PCI devices. The rising edge defines the start of each phase. The clock frequency ranges from 0 to 33MHz. |
| CLKRUNB | I/O | 75 | Clock Run: This signal is used by the RTL8139C(L) to request starting (or speeding up) the clock, CLK. CLKRUNB also indicates the clock status. For the RTL8139C(L), CLKRUNB is an open drain output as well as an input. The RTL8139C(L) requests the central resource to start, speed up, or maintain the interface clock by the assertion of CLKRUNB. For the host system, it is an S/T/S signal. The host system (central resource) is responsible for maintaining CLKRUNB asserted, and for driving it high to the negated (deasserted) state. |

| | | | |
|---------|-------|-----|--|
| DEVSELB | S/T/S | 19 | Device Select: As a bus master, the RTL8139C(L) samples this signal to insure that a PCI target recognizes the destination address for the data transfer. As a target, the RTL8139C(L) asserts this signal low when it recognizes its target address after FRAMEB is asserted. |
| FRAMEB | S/T/S | 15 | Cycle Frame: As a bus master, this pin indicates the beginning and duration of an access. FRAMEB is asserted low to indicate the start of a bus transaction. While FRAMEB is asserted, data transfer continues. When FRAMEB is deasserted, the transaction is in the final data phase. As a target, the device monitors this signal before decoding the address to check if the current transaction is addressed to it. |
| GNTB | I | 117 | Grant: This signal is asserted low to indicate to the RTL8139C(L) that the central arbiter has granted ownership of the bus to the RTL8139C(L). This input is used when the RTL8139C(L) is acting as a bus master. |
| REQB | T/S | 118 | Request: The RTL8139C(L) will assert this signal low to request the ownership of the bus from the central arbiter. |
| IDSEL | I | 3 | Initialization Device Select: This pin allows the RTL8139C(L) to identify when configuration read/write transactions are intended for it. |
| INTAB | O/D | 114 | Interrupt A: Used to request an interrupt. It is asserted low when an interrupt condition occurs, as defined by the Interrupt Status, Interrupt Mask and Interrupt Enable registers. |
| IRDYB | S/T/S | 16 | Initiator Ready: This indicates the initiating agent's ability to complete the current data phase of the transaction. As a bus master, this signal will be asserted low when the RTL8139C(L) is ready to complete the current data phase transaction. This signal is used in conjunction with the TRDYB signal. Data transaction takes place at the rising edge of CLK when both IRDYB and TRDYB are asserted low. As a target, this signal indicates that the master has put data on the bus. |
| TRDYB | S/T/S | 17 | Target Ready: This indicates the target agent's ability to complete the current phase of the transaction. As a bus master, this signal indicates that the target is ready for the data during write operations and with the data during read operations. As a target, this signal will be asserted low when the (slave) device is ready to complete the current data phase transaction. This signal is used in conjunction with the IRDYB signal. Data transaction takes place at the rising edge of CLK when both IRDYB and TRDYB are asserted low. |
| PAR | T/S | 23 | Parity: This signal indicates even parity across AD31-0 and C/BE3-0 including the PAR pin. As a master, PAR is asserted during address and write data phases. As a target, PAR is asserted during read data phases. |

| | | | |
|-------|-------|-----|---|
| PERRB | S/T/S | 21 | <p>Parity Error: When the RTL8139C(L) is the bus master and a parity error is detected, the RTL8139C(L) asserts both SERR bit in ISR and Configuration Space command bit 8 (SERRB enable). Next, it completes the current data burst transaction, then stops operation and resets itself. After the host clears the system error, the RTL8139C(L) continues its operation.</p> <p>When the RTL8139C(L) is the bus target and a parity error is detected, the RTL8139C(L) asserts this PERRB pin low.</p> |
| SERRB | O/D | 22 | <p>System Error: If an address parity error is detected and Configuration Space Status register bit 15 (detected parity error) is enabled, RTL8139C(L) asserts both SERRB pin low and bit 14 of Status register in Configuration Space.</p> |
| STOPB | S/T/S | 20 | <p>Stop: Indicates the current target is requesting the master to stop the current transaction.</p> |
| RSTB | I | 115 | <p>Reset: When RSTB is asserted low, the RTL8139C(L) performs an internal system hardware reset. RSTB must be held for a minimum of 120 ns.</p> |

5.3 FLASH/EEPROM Interface

| Symbol | Type | Pin No | Description |
|-------------|------|--------------------------|---|
| MA16-3 | O | 70-63, 61, 60, 57, 53-51 | <p>Boot PROM Address Bus: These pins are used to access up to a 128k-byte flash memory or EPROM.</p> <p>Output pin as part of Boot PROM (or Flash) address bus after PCI reset.</p> <p>Input pin as Aux. Power detect pin to detect if Aux. Power exists or not, when initial power-on or PCI reset is asserted. Besides connecting this pin to Boot PROM, it should be pulled high to the Aux. Power via a resistor to detect Aux. power. If this pin is not pulled high to Aux. Power, the RTL8139C(L) assumes that no Aux. power exists. To support wakeup from ACPI D3cold or APM power-down, this pin must be pulled high to Aux. power via a resistor.</p> |
| MA8 | I/O | 61 | |
| MA6/9356SEL | I/O | 57 | <p>When this pin is pulled high with a 10KΩ resistor, the 93C56 EEPROM is used to store the resource data and CIS for the RTL8139C(L). The RTL8139C(L) latches the status of this pin at power-up to determine what EEPROM (93C46 or 93C56) is used, afterwards, this pin is used as MA6.</p> |
| MA2/EESK | O | 49 | <p>The MA2-0 pins are switched to EESK, EEDI, EEDO in 93C46 (93C56) programming or auto-load mode.</p> |
| MA1/EEDI | O | 48 | |
| MA0/EEDO | O, I | 47 | |
| EECS | O | 50 | 93C46 (93C56) chip select |
| MD0-7 | I/O | 108, 107, 105-100 | Boot PROM data bus |
| ROMCSB | O | 110 | ROM Chip Select: This is the chip select signal of the Boot PROM. |
| OEB | O | 88 | Output Enable: This enables the output buffer of the Boot PROM or Flash memory during a read operation. |
| WEB | O | 89 | Write Enable: This signal strobes data into the Flash memory during a write cycle. |

5.4 Power Pins

| Symbol | Type | Pin No | Description |
|--------|------|---|----------------------------|
| VDD | P | 1, 12, 25, 35, 46, 58, 59, 106, 109, 119 | Digital Power +3.3V |
| | P | 77, 90, 96 | Analog Power +3.3V |
| GND | P | 7, 18, 30, 40, 55, 56, 62, 111, 112, 113, 124 | Digital Ground |
| | P | 74, 80, 85, 93 | Analog Ground |

5.5 LED Interface

| Symbol | Type | Pin No | Description | | | | | | | | | | | | | | | | | | | | |
|---|---------|------------|---|---------|-------|----|----|----|-------------|-------|-------|----|----|-------------|---------|------------|------------|---------|-------------|--------|------|----|--------|
| LED0, 1, 2 | O | 99, 98, 97 | LED pins | | | | | | | | | | | | | | | | | | | | |
| | | | <table border="1"> <thead> <tr> <th>LEDS1-0</th> <th>00</th> <th>01</th> <th>10</th> <th>11</th> </tr> </thead> <tbody> <tr> <td>LED0</td> <td>Tx/Rx</td> <td>Tx/Rx</td> <td>Tx</td> <td>Tx</td> </tr> <tr> <td>LED1</td> <td>LINK100</td> <td>LINK10/100</td> <td>LINK10/100</td> <td>LINK100</td> </tr> <tr> <td>LED2</td> <td>LINK10</td> <td>FULL</td> <td>Rx</td> <td>LINK10</td> </tr> </tbody> </table> | LEDS1-0 | 00 | 01 | 10 | 11 | LED0 | Tx/Rx | Tx/Rx | Tx | Tx | LED1 | LINK100 | LINK10/100 | LINK10/100 | LINK100 | LED2 | LINK10 | FULL | Rx | LINK10 |
| | | | LEDS1-0 | 00 | 01 | 10 | 11 | | | | | | | | | | | | | | | | |
| | | | LED0 | Tx/Rx | Tx/Rx | Tx | Tx | | | | | | | | | | | | | | | | |
| LED1 | LINK100 | LINK10/100 | LINK10/100 | LINK100 | | | | | | | | | | | | | | | | | | | |
| LED2 | LINK10 | FULL | Rx | LINK10 | | | | | | | | | | | | | | | | | | | |
| During power down mode, the LEDs are OFF. | | | | | | | | | | | | | | | | | | | | | | | |

5.6 Attachment Unit Interface

| Symbol | Type | Pin No | Description |
|--------|------|--------|--|
| TXD+ | O | 92 | 100/10BASE-T transmit (Tx) Data |
| TXD- | O | 91 | |
| RXIN+ | I | 87 | 100/10BASE-T receive (Rx) Data |
| RXIN- | I | 86 | |
| X1 | I | 79 | 25 MHz Crystal/OSC. Input |
| X2 | O | 78 | Crystal Feedback Output: This output is used in crystal connection only. It must be left open when X1 is driven with an external 25 MHz oscillator. |

5.7 Test and Other Pins

| Symbol | Type | Pin No | Description |
|--------|------|--------------------|--|
| RTT2-3 | TEST | 81, 82 | Chip test pins. |
| RTSET | I/O | 84 | This pin must be pulled low by a 1.7K Ω resistor. |
| NC | - | 54, 71, 72, 73, 94 | Reserved |

6. Register Descriptions

The RTL8139C(L) provides the following set of operational registers mapped into PCI memory space or I/O space.

| Offset | R/W | Tag | Description |
|-------------|-----|---------|--|
| 0000h | R/W | IDR0 | ID Register 0: The ID registers 0-5 are only permitted to read/write by 4-byte access. Read access can be byte, word, or double word access. The initial value is autoloaded from the EEPROM EthernetID field. |
| 0001h | R/W | IDR1 | ID Register 1 |
| 0002h | R/W | IDR2 | ID Register 2 |
| 0003h | R/W | IDR3 | ID Register 3 |
| 0004h | R/W | IDR4 | ID Register 4 |
| 0005h | R/W | IDR5 | ID Register 5 |
| 0006h-0007h | - | - | Reserved |
| 0008h | R/W | MAR0 | Multicast Register 0: The MAR registers 0-7 are only permitted to read/write by 4-byte access. Read access can be byte, word, or double word access. Driver is responsible for initializing these registers. |
| 0009h | R/W | MAR1 | Multicast Register 1 |
| 000Ah | R/W | MAR2 | Multicast Register 2 |
| 000Bh | R/W | MAR3 | Multicast Register 3 |
| 000Ch | R/W | MAR4 | Multicast Register 4 |
| 000Dh | R/W | MAR5 | Multicast Register 5 |
| 000Eh | R/W | MAR6 | Multicast Register 6 |
| 000Fh | R/W | MAR7 | Multicast Register 7 |
| 0010h-0013h | R/W | TSD0 | Transmit Status of Descriptor 0 |
| 0014h-0017h | R/W | TSD1 | Transmit Status of Descriptor 1 |
| 0018h-001Bh | R/W | TSD2 | Transmit Status of Descriptor 2 |
| 001Ch-001Fh | R/W | TSD3 | Transmit Status of Descriptor 3 |
| 0020h-0023h | R/W | TSAD0 | Transmit Start Address of Descriptor0 |
| 0024h-0027h | R/W | TSAD1 | Transmit Start Address of Descriptor1 |
| 0028h-002Bh | R/W | TSAD2 | Transmit Start Address of Descriptor2 |
| 002Ch-002Fh | R/W | TSAD3 | Transmit Start Address of Descriptor3 |
| 0030h-0033h | R/W | RBSTART | Receive (Rx) Buffer Start Address |
| 0034h-0035h | R | ERBCR | Early Receive (Rx) Byte Count Register |
| 0036h | R | ERSR | Early Rx Status Register |
| 0037h | R/W | CR | Command Register |
| 0038h-0039h | R/W | CAPR | Current Address of Packet Read (The initial value is 0FFF0h) |
| 003Ah-003Bh | R | CBR | Current Buffer Address: The initial value is 0000h. It reflects total received byte-count in the rx buffer. |
| 003Ch-003Dh | R/W | IMR | Interrupt Mask Register |
| 003Eh-003Fh | R/W | ISR | Interrupt Status Register |
| 0040h-0043h | R/W | TCR | Transmit (Tx) Configuration Register |
| 0044h-0047h | R/W | RCR | Receive (Rx) Configuration Register |
| 0048h-004Bh | R/W | TCTR | Timer Count Register: This register contains a 32-bit general-purpose timer. Writing any value to this 32-bit register will reset the original timer and begin to count from zero. |
| 004Ch-004Fh | R/W | MPC | Missed Packet Counter: Indicates the number of packets discarded due to rx FIFO overflow. It is a 24-bit counter. After s/w reset, MPC is cleared. Only the lower 3 bytes are valid. When any value is written, MPC will be reset also. |
| 0050h | R/W | 9346CR | 93C46 (93C56) Command Register |
| 0051h | R/W | CONFIG0 | Configuration Register 0 |
| 0052h | R/W | CONFIG1 | Configuration Register 1 |

| | | | |
|-------------|------|-----------|---|
| 0053H | - | - | Reserved |
| 0054h-0057h | R /W | TimerInt | Timer Interrupt Register: Once having written a nonzero value to this register, the Timeout bit of ISR register will be set whenever the TCTR reaches to this value. The Timeout bit will never be set as long as TimerInt register is zero. |
| 0058h | R/W | MSR | Media Status Register |
| 0059h | R/W | CONFIG3 | Configuration register 3 |
| 005Ah | R/W | CONFIG4 | Configuration register 4 |
| 005Bh | - | - | Reserved |
| 005Ch-005Dh | R/W | MULINT | Multiple Interrupt Select |
| 005Eh | R | RERID | PCI Revision ID = 10h |
| 005Fh | - | - | Reserved |
| 0060h-0061h | R | TSAD | Transmit Status of All Descriptors |
| 0062h-0063h | R/W | BMCR | Basic Mode Control Register |
| 0064h-0065h | R | BMSR | Basic Mode Status Register |
| 0066h-0067h | R/W | ANAR | Auto-Negotiation Advertisement Register |
| 0068h-0069h | R | ANLPAR | Auto-Negotiation Link Partner Register |
| 006Ah-006Bh | R | ANER | Auto-Negotiation Expansion Register |
| 006Ch-006Dh | R | DIS | Disconnect Counter |
| 006Eh-006Fh | R | FCSC | False Carrier Sense Counter |
| 0070h-0071h | R/W | NWAYTR | N-way Test Register |
| 0072h-0073h | R | REC | RX_ER Counter |
| 0074h-0075h | R/W | CSCR | CS Configuration Register |
| 0076-0077h | - | - | Reserved |
| 0078h-007Bh | R/W | PHY1_PARM | PHY parameter 1 |
| 007Ch-007Fh | R/W | TW_PARM | Twister parameter |
| 0080h | R/W | PHY2_PARM | PHY parameter 2 |
| 0081-0083h | - | - | Reserved |
| 0084h | R/W | CRC0 | Power Management CRC Register0 for Wakeup Frame0 |
| 0085h | R/W | CRC1 | Power Management CRC Register1 for Wakeup Frame1 |
| 0086h | R/W | CRC2 | Power Management CRC Register2 for Wakeup Frame2 |
| 0087h | R/W | CRC3 | Power Management CRC Register3 for Wakeup Frame3 |
| 0088h | R/W | CRC4 | Power Management CRC Register4 for Wakeup Frame4 |
| 0089h | R/W | CRC5 | Power Management CRC Register5 for Wakeup Frame5 |
| 008Ah | R/W | CRC6 | Power Management CRC Register6 for Wakeup Frame6 |
| 008Bh | R/W | CRC7 | Power Management CRC Register7 for Wakeup Frame7 |
| 008Ch-0093h | R/W | Wakeup0 | Power Management Wakeup Frame0 (64bit) |
| 0094h-009Bh | R/W | Wakeup1 | Power Management Wakeup Frame1 (64bit) |
| 009Ch-00A3h | R/W | Wakeup2 | Power Management Wakeup Frame2 (64bit) |
| 00A4h-00ABh | R/W | Wakeup3 | Power Management Wakeup Frame3 (64bit) |
| 00ACh-00B3h | R/W | Wakeup4 | Power Management Wakeup Frame4 (64bit) |
| 00B4h-00BBh | R/W | Wakeup5 | Power Management Wakeup Frame5 (64bit) |
| 00BCh-00C3h | R/W | Wakeup6 | Power Management Wakeup Frame6 (64bit) |
| 00C4h-00CBh | R/W | Wakeup7 | Power Management Wakeup Frame7 (64bit) |
| 00CCh | R/W | LSBCRC0 | LSB of the Mask byte of Wakeup Frame0 Within Offset 12 to 75 |
| 00CDh | R/W | LSBCRC1 | LSB of the Mask byte of Wakeup Frame1 Within Offset 12 to 75 |
| 00CEh | R/W | LSBCRC2 | LSB of the Mask byte of Wakeup Frame2 Within Offset 12 to 75 |
| 00CFh | R/W | LSBCRC3 | LSB of the Mask byte of Wakeup Frame3 Within Offset 12 to 75 |
| 00D0h | R/W | LSBCRC4 | LSB of the Mask byte of Wakeup Frame4 Within Offset 12 to 75 |
| 00D1h | R/W | LSBCRC5 | LSB of the Mask byte of Wakeup Frame5 Within Offset 12 to 75 |
| 00D2h | R/W | LSBCRC6 | LSB of the Mask byte of Wakeup Frame6 Within Offset 12 to 75 |
| 00D3h | R/W | LSBCRC7 | LSB of the Mask byte of Wakeup Frame7 Within Offset 12 to 75 |
| 00D4h-00D7h | R/W | FLASH | Flash Memory Read/Write Register |

| | | | |
|-------------|-----|---------|---|
| 00D8h | R/W | Config5 | Configuration Register 5 |
| 00D9h-00EFh | - | - | Reserved |
| 00F0h-00F3h | R/W | FER | Function Event Register (Cardbus only) |
| 00F4h-00F7h | R/W | FEMR | Function Event Mask Register (CardBus only) |
| 00F8h-00FBh | R | FPSR | Function Present State Register (CardBus only) |
| 00FCh-00FFh | W | FFER | Function Force Event Register (CardBus only) |

6.1 Receive Status Register in Rx packet header

| Bit | R/W | Symbol | Description |
|------|-----|--------|---|
| 15 | R | MAR | Multicast Address Received: This bit set to 1 indicates that a multicast packet is received. |
| 14 | R | PAM | Physical Address Matched: This bit set to 1 indicates that the destination address of this packet matches the value written in ID registers. |
| 13 | R | BAR | Broadcast Address Received: This bit set to 1 indicates that a broadcast packet is received. BAR, MAR bit will not be set simultaneously. |
| 12-6 | - | - | Reserved |
| 5 | R | ISE | Invalid Symbol Error: (100BASE-TX only) This bit set to 1 indicates that an invalid symbol was encountered during the reception of this packet. |
| 4 | R | RUNT | Runt Packet Received: This bit set to 1 indicates that the received packet length is smaller than 64 bytes (i.e. media header + data + CRC < 64 bytes) |
| 3 | R | LONG | Long Packet: This bit set to 1 indicates that the size of the received packet exceeds 4k bytes. |
| 2 | R | CRC | CRC Error: When set, indicates that a CRC error occurred on the received packet. |
| 1 | R | FAE | Frame Alignment Error: When set, indicates that a frame alignment error occurred on this received packet. |
| 0 | R | ROK | Receive OK: When set, indicates that a good packet is received. |

6.2 Transmit Status Register (TSD0-3)(Offset 0010h-001Fh, R/W)

The read-only bits (CRS, TABT, OWC, CDH, NCC3-0, TOK, TUN) will be cleared by the RTL8139C(L) when the Transmit Byte Count (bit12-0) in the corresponding Tx descriptor is written. It is not affected when software writes to these bits. These registers are only permitted to write by double-word access. After a software reset, all bits except the OWN bit are reset to "0".

| Bit | R/W | Symbol | Description |
|-------|-----|-----------|---|
| 31 | R | CRS | Carrier Sense Lost: This bit is set to 1 when the carrier is lost during transmission of a packet. |
| 30 | R | TABT | Transmit Abort: This bit is set to 1 if the transmission of a packet was aborted. This bit is read only, writing to this bit is not affected. |
| 29 | R | OWC | Out of Window Collision: This bit is set to 1 if the RTL8139C(L) encountered an "out of window" collision during the transmission of a packet. |
| 28 | R | CDH | CD Heart Beat: The same as RTL8139(A/B). This bit is cleared in the 100 Mbps mode. |
| 27-24 | R | NCC3-0 | Number of Collision Count: Indicates the number of collisions encountered during the transmission of a packet. |
| 23-22 | - | - | Reserved |
| 21-16 | R/W | ERTXTH5-0 | Early Tx Threshold: Specifies the threshold level in the Tx FIFO to begin the transmission. When the byte count of the data in the Tx FIFO reaches this level, (or the FIFO contains at least one complete packet) the RTL8139C(L) will transmit this packet. 000000 = 8 bytes These fields count from 000001 to 111111 in unit of 32 bytes. This threshold must be avoided from exceeding 2K byte. |
| 15 | R | TOK | Transmit OK: Set to 1 indicates that the transmission of a packet was completed successfully and no transmit underrun occurs. |
| 14 | R | TUN | Transmit FIFO Underrun: Set to 1 if the Tx FIFO was exhausted during the transmission of a packet. The RTL8139C(L) can re-transfer data if the Tx FIFO underruns and can also transmit the packet to the wire successfully even though the Tx FIFO underruns. That is, when TSD<TUN>=1, TSD<TOK>=0 and ISR<TOK>=1 (or ISR<TER>=1). |
| 13 | R/W | OWN | OWN: The RTL8139C(L) sets this bit to 1 when the Tx DMA operation of this descriptor was completed. The driver must set this bit to 0 when the Transmit Byte Count (bit0-12) is written. The default value is 1. |
| 12-0 | R/W | SIZE | Descriptor Size: The total size in bytes of the data in this descriptor. If the packet length is more than 1792 byte (0700h), the Tx queue will be invalid, i.e. the next descriptor will be written only after the OWN bit of that long packet's descriptor has been set. |

6.3 ERSR: Early Rx Status Register (Offset 0036h, R)

| Bit | R/W | Symbol | Description |
|-----|-----|--------|--|
| 7-4 | - | - | Reserved |
| 3 | R | ERGood | Early Rx Good packet: This bit is set whenever a packet is completely received and the packet is good. This bit is cleared when writing 1 to it. |
| 2 | R | ERBad | Early Rx Bad packet: This bit is set whenever a packet is completely received and the packet is bad. Writing 1 will clear this bit. |
| 1 | R | EROVW | Early Rx OverWrite: This bit is set when the RTL8139C(L)'s local address pointer is equal to CAPR. In the early mode, this is different from buffer overflow. It happens that the RTL8139C(L) detected an Rx error and wanted to fill another packet data from the beginning address of that error packet. Writing 1 will clear this bit. |
| 0 | R | EROK | Early Rx OK: The power-on value is 0. It is set when the Rx byte count of the arriving packet exceeds the Rx threshold. After the whole packet is received, the RTL8139C(L) will set ROK or RER in ISR and clear this bit simultaneously. Setting this bit will invoke a ROK interrupt. |

6.4 Command Register (Offset 0037h, R/W)

This register is used for issuing commands to the RTL8139C(L). These commands are issued by setting the corresponding bits for the function. A global software reset along with individual reset and enable/disable for transmitter and receiver are provided here.

| Bit | R/W | Symbol | Description |
|-----|-----|--------|---|
| 7-5 | - | - | Reserved |
| 4 | R/W | RST | Reset: Setting to 1 forces the RTL8139C(L) to a software reset state which disables the transmitter and receiver, reinitializes the FIFOs, resets the system buffer pointer to the initial value (Tx buffer is at TSAD0, Rx buffer is empty). The values of IDR0-5 and MAR0-7 and PCI configuration space will have no changes. This bit is 1 during the reset operation, and is cleared to 0 by the RTL8139C(L) when the reset operation is complete. |
| 3 | R/W | RE | Receiver Enable: When set to 1, and the receive state machine is idle, the receive machine becomes active. This bit will read back as a 1 whenever the receive state machine is active. After initial power-up, software must insure that the receiver has completely reset before setting this bit. |
| 2 | R/W | TE | Transmitter Enable: When set to 1, and the transmit state machine is idle, then the transmit state machine becomes active. This bit will read back as a 1 whenever the transmit state machine is active. After initial power-up, software must insure that the transmitter has completely reset before setting this bit. |
| 1 | - | - | Reserved |
| 0 | R | BUFE | Buffer Empty: The Rx buffer is empty; There is no packet stored in the Rx buffer ring. |

6.5 Interrupt Mask Register (Offset 003Ch-003Dh, R/W)

This register masks the interrupts that can be generated from the ISR. Writing a “1” to the bit enables the corresponding interrupt. During a hardware reset, all mask bits are cleared. Setting a mask bit allows the corresponding bit in the ISR to cause an interrupt. ISR bits are always set to 1, however, if the condition is present, regardless of the state of the corresponding mask bit.

| Bit | R/W | Symbol | Description |
|------|-----|-------------|--|
| 15 | R/W | SERR | System Error Interrupt: 1 => Enable, 0 => Disable. |
| 14 | R/W | TimeOut | Time Out Interrupt: 1 => Enable, 0 => Disable. |
| 13 | R/W | LenChg | Cable Length Change Interrupt: 1 => Enable, 0 => Disable. |
| 12-7 | - | - | Reserved |
| 6 | R/W | FOVW | Rx FIFO Overflow Interrupt: 1 => Enable, 0 => Disable. |
| 5 | R/W | PUN/LinkChg | Packet Underrun/Link Change Interrupt: 1 => Enable, 0 => Disable. |
| 4 | R/W | RXOVW | Rx Buffer Overflow Interrupt: 1 => Enable, 0 => Disable. |
| 3 | R/W | TER | Transmit Error Interrupt: 1 => Enable, 0 => Disable. |
| 2 | R/W | TOK | Transmit OK Interrupt: 1 => Enable, 0 => Disable. |
| 1 | R/W | RER | Receive Error Interrupt: 1 => Enable, 0 => Disable. |
| 0 | R/W | ROK | Receive OK Interrupt: 1 => Enable, 0 => Disable. |

6.6 Interrupt Status Register (Offset 003Eh-003Fh, R/W)

This register indicates the source of an interrupt when the INTA pin goes active. Enabling the corresponding bits in the Interrupt Mask Register (IMR) allows bits in this register to produce an interrupt. When an interrupt is active, one or more bits in this register are set to a “1”. The interrupt Status Register reflects all current pending interrupts, regardless of the state of the corresponding mask bit in the IMR. Reading the ISR clears all interrupts. Writing to the ISR has no effect.

| Bit | R/W | Symbol | Description |
|--------|-----|-------------|---|
| 15 | R/W | SERR | System Error: Set to 1 when the RTL8139C(L) signals a system error on the PCI bus. |
| 14 | R/W | TimeOut | Time Out: Set to 1 when the TCTR register reaches to the value of the TimerInt register. |
| 13 | R/W | LenChg | Cable Length Change: Cable length is changed after Receiver is enabled. |
| 12 - 7 | - | - | Reserved |
| 6 | R/W | FOVW | Rx FIFO Overflow: Set when an overflow occurs on the Rx status FIFO. |
| 5 | R/W | PUN/LinkChg | Packet Underrun/Link Change: Set to 1 when CAPR is written but Rx buffer is empty, or when link status is changed. |
| 4 | R/W | RXOVW | Rx Buffer Overflow: Set when receive (Rx) buffer ring storage resources have been exhausted. |
| 3 | R/W | TER | Transmit (Tx) Error: Indicates that a packet transmission was aborted, due to excessive collisions, according to the TXRR's setting |
| 2 | R/W | TOK | Transmit (Tx) OK: Indicates that a packet transmission is completed successfully. |
| 1 | R/W | RER | Receive (Rx) Error: Indicates that a packet has either CRC error or frame alignment error (FAE). The collided frame will not be recognized as CRC error if the length of this frame is shorter than 16 byte. |
| 0 | R/W | ROK | Receive (Rx) OK: In normal mode, indicates the successful completion of a packet reception. In early mode, indicates that the Rx byte count of the arriving packet exceeds the early Rx threshold. |

6.7 Transmit Configuration Register (Offset 0040h-0043h, R/W)

This register defines the Transmit Configuration for the RTL8139C(L). It controls such functions as Loopback, Heartbeat, Auto Transmit Padding, programmable Interframe Gap, Fill and Drain Thresholds, and maximum DMA burst size.

| Bit | R/W | Symbol | Description | | | | | | | | | | | | | | | | | | | | | | | | | | | | | | | | | | | | | | | | | | | | | | | | | | | | | | | | |
|------------|-----------------------|--------------|---|-------|-------|-------|-------|-------|-------|-------|---------|---|---|---|---|---|---|----------|---|---|---|---|---|---|------------|---|---|---|---|---|---|----------|---|---|---|---|---|---|---------|---|---|---|---|---|---|----------|---|---|---|---|---|---|----------|-----------------------|--|--|--|--|--|
| 31 | - | - | Reserved | | | | | | | | | | | | | | | | | | | | | | | | | | | | | | | | | | | | | | | | | | | | | | | | | | | | | | | | |
| 30-26 | R | HWVERID | Hardware Version ID: <table border="1" style="margin-left: 20px;"> <thead> <tr> <th></th> <th>Bit30</th> <th>Bit29</th> <th>Bit28</th> <th>Bit27</th> <th>Bit26</th> <th>Bit23</th> </tr> </thead> <tbody> <tr> <td>RTL8139</td> <td>1</td> <td>1</td> <td>0</td> <td>0</td> <td>0</td> <td>0</td> </tr> <tr> <td>RTL8139A</td> <td>1</td> <td>1</td> <td>1</td> <td>0</td> <td>0</td> <td>0</td> </tr> <tr> <td>RTL8139A-G</td> <td>1</td> <td>1</td> <td>1</td> <td>0</td> <td>0</td> <td>1</td> </tr> <tr> <td>RTL8139B</td> <td>1</td> <td>1</td> <td>1</td> <td>1</td> <td>0</td> <td>0</td> </tr> <tr> <td>RTL8130</td> <td>1</td> <td>1</td> <td>1</td> <td>1</td> <td>1</td> <td>0</td> </tr> <tr> <td>RTL8139C</td> <td>1</td> <td>1</td> <td>1</td> <td>0</td> <td>1</td> <td>0</td> </tr> <tr> <td>Reserved</td> <td colspan="6" style="text-align: center;">All other combination</td> </tr> </tbody> </table> | | Bit30 | Bit29 | Bit28 | Bit27 | Bit26 | Bit23 | RTL8139 | 1 | 1 | 0 | 0 | 0 | 0 | RTL8139A | 1 | 1 | 1 | 0 | 0 | 0 | RTL8139A-G | 1 | 1 | 1 | 0 | 0 | 1 | RTL8139B | 1 | 1 | 1 | 1 | 0 | 0 | RTL8130 | 1 | 1 | 1 | 1 | 1 | 0 | RTL8139C | 1 | 1 | 1 | 0 | 1 | 0 | Reserved | All other combination | | | | | |
| | Bit30 | Bit29 | Bit28 | Bit27 | Bit26 | Bit23 | | | | | | | | | | | | | | | | | | | | | | | | | | | | | | | | | | | | | | | | | | | | | | | | | | | | | |
| RTL8139 | 1 | 1 | 0 | 0 | 0 | 0 | | | | | | | | | | | | | | | | | | | | | | | | | | | | | | | | | | | | | | | | | | | | | | | | | | | | | |
| RTL8139A | 1 | 1 | 1 | 0 | 0 | 0 | | | | | | | | | | | | | | | | | | | | | | | | | | | | | | | | | | | | | | | | | | | | | | | | | | | | | |
| RTL8139A-G | 1 | 1 | 1 | 0 | 0 | 1 | | | | | | | | | | | | | | | | | | | | | | | | | | | | | | | | | | | | | | | | | | | | | | | | | | | | | |
| RTL8139B | 1 | 1 | 1 | 1 | 0 | 0 | | | | | | | | | | | | | | | | | | | | | | | | | | | | | | | | | | | | | | | | | | | | | | | | | | | | | |
| RTL8130 | 1 | 1 | 1 | 1 | 1 | 0 | | | | | | | | | | | | | | | | | | | | | | | | | | | | | | | | | | | | | | | | | | | | | | | | | | | | | |
| RTL8139C | 1 | 1 | 1 | 0 | 1 | 0 | | | | | | | | | | | | | | | | | | | | | | | | | | | | | | | | | | | | | | | | | | | | | | | | | | | | | |
| Reserved | All other combination | | | | | | | | | | | | | | | | | | | | | | | | | | | | | | | | | | | | | | | | | | | | | | | | | | | | | | | | | | |
| 25-24 | R/W | IFG1, 0 | Interframe Gap Time: This field allows adjustment of the interframe gap time below the standards of 9.6 us for 10Mbps, 960 ns for 100Mbps. The time can be programmed from 9.6 us to 8.4 us (10Mbps) and 960ns to 840ns (100Mbps). Note that any value other than (1, 1) will violate the IEEE 802.3 standard. The formula for the inter frame gap is: 10 Mbps 8.4us + 0.4(IFG(1:0)) us 100 Mbps 840ns + 40(IFG(1:0)) ns | | | | | | | | | | | | | | | | | | | | | | | | | | | | | | | | | | | | | | | | | | | | | | | | | | | | | | | | |
| 23 | R | 8139A-G | RTL8139A rev.G ID = 1. For others, this bit is 0. | | | | | | | | | | | | | | | | | | | | | | | | | | | | | | | | | | | | | | | | | | | | | | | | | | | | | | | | |
| 22-19 | - | - | Reserved | | | | | | | | | | | | | | | | | | | | | | | | | | | | | | | | | | | | | | | | | | | | | | | | | | | | | | | | |
| 18, 17 | R/W | LBK1, LBK0 | Loopback test: There will be no packet on the TX+/- lines under the Loopback test condition. The loopback function must be independent of the link state. 00: normal operation 01: Reserved 10: Reserved 11: Loopback mode | | | | | | | | | | | | | | | | | | | | | | | | | | | | | | | | | | | | | | | | | | | | | | | | | | | | | | | | |
| 16 | R/W | CRC | Append CRC: 0: A CRC is appended at the end of a packet 1: No CRC appended at the end of a packet | | | | | | | | | | | | | | | | | | | | | | | | | | | | | | | | | | | | | | | | | | | | | | | | | | | | | | | | |
| 15-11 | - | - | Reserved | | | | | | | | | | | | | | | | | | | | | | | | | | | | | | | | | | | | | | | | | | | | | | | | | | | | | | | | |
| 10-8 | R/W | MXDMA2, 1, 0 | Max DMA Burst Size per Tx DMA Burst: This field sets the maximum size of transmit DMA data bursts according to the following table: 000 = 16 bytes 001 = 32 bytes 010 = 64 bytes 011 = 128 bytes 100 = 256 bytes 101 = 512 bytes 110 = 1024 bytes 111 = 2048 bytes | | | | | | | | | | | | | | | | | | | | | | | | | | | | | | | | | | | | | | | | | | | | | | | | | | | | | | | | |

| | | | |
|-----|-----|--------|---|
| 7-4 | R/W | TXRR | <p>Tx Retry Count: These are used to specify additional transmission retries in multiples of 16 (IEEE 802.3 CSMA/CD retry count). If the TXRR is set to 0, the transmitter will re-transmit 16 times before aborting due to excessive collisions. If the TXRR is set to a value greater than 0, the transmitter will re-transmit a number of times equal to the following formula before aborting:</p> $\text{Total retries} = 16 + (\text{TXRR} * 16)$ <p>The TER bit in the ISR register or transmit descriptor will be set when the transmission fails and reaches to this specified retry count.</p> |
| 3-1 | - | - | Reserved |
| 0 | W | CLRABT | <p>Clear Abort: Setting this bit to 1 causes the RTL8139C(L) to retransmit the packet at the last transmitted descriptor when this transmission was aborted. Setting this bit is only permitted in the transmit abort state.</p> |

6.8 Receive Configuration Register (Offset 0044h-0047h, R/W)

This register is used to set the receive configuration for the RTL8139C(L). Receive properties such as accepting error packets, runt packets, setting the receive drain threshold etc. are controlled here.

| Bit | R/W | Symbol | Description | | | | | | | | | | | | | | | | |
|------------------------------|--------------|----------------|---|------------------------------|-------------|-------------|-------------|-------------|-------------|-------------|-------------|-------------|-------------|--------------|--------------|--------------|--------------|--------------|--------------|
| 31-28 | - | - | Reserved | | | | | | | | | | | | | | | | |
| 27-24 | R/W | ERTH3, 2, 1, 0 | <p>Early Rx threshold bits: These bits are used to select the Rx threshold multiplier of the whole packet that has been transferred to the system buffer in early mode when the frame protocol is under the RTL8139C(L)'s definition.</p> <table style="width: 100%; border: none;"> <tr> <td>0000 = no early rx threshold</td> <td>0001 = 1/16</td> </tr> <tr> <td>0010 = 2/16</td> <td>0011 = 3/16</td> </tr> <tr> <td>0100 = 4/16</td> <td>0101 = 5/16</td> </tr> <tr> <td>0110 = 6/16</td> <td>0111 = 7/16</td> </tr> <tr> <td>1000 = 8/16</td> <td>1001 = 9/16</td> </tr> <tr> <td>1010 = 10/16</td> <td>1011 = 11/16</td> </tr> <tr> <td>1100 = 12/16</td> <td>1101 = 13/16</td> </tr> <tr> <td>1110 = 14/16</td> <td>1111 = 15/16</td> </tr> </table> | 0000 = no early rx threshold | 0001 = 1/16 | 0010 = 2/16 | 0011 = 3/16 | 0100 = 4/16 | 0101 = 5/16 | 0110 = 6/16 | 0111 = 7/16 | 1000 = 8/16 | 1001 = 9/16 | 1010 = 10/16 | 1011 = 11/16 | 1100 = 12/16 | 1101 = 13/16 | 1110 = 14/16 | 1111 = 15/16 |
| 0000 = no early rx threshold | 0001 = 1/16 | | | | | | | | | | | | | | | | | | |
| 0010 = 2/16 | 0011 = 3/16 | | | | | | | | | | | | | | | | | | |
| 0100 = 4/16 | 0101 = 5/16 | | | | | | | | | | | | | | | | | | |
| 0110 = 6/16 | 0111 = 7/16 | | | | | | | | | | | | | | | | | | |
| 1000 = 8/16 | 1001 = 9/16 | | | | | | | | | | | | | | | | | | |
| 1010 = 10/16 | 1011 = 11/16 | | | | | | | | | | | | | | | | | | |
| 1100 = 12/16 | 1101 = 13/16 | | | | | | | | | | | | | | | | | | |
| 1110 = 14/16 | 1111 = 15/16 | | | | | | | | | | | | | | | | | | |
| 23-18 | - | - | Reserved | | | | | | | | | | | | | | | | |
| 17 | R/W | MulERINT | <p>Multiple early interrupt select: When this bit is set, any received packet invokes early interrupt according to MULINT<MISR[11:0]> setting in early mode. When this bit is reset, the packets of familiar protocol (IPX, IP, NDIS, etc) invoke early interrupt according to RCR<ERTH[3:0]> setting in early mode. The packets of unfamiliar protocol will invoke early interrupt according to the setting of MULINT<MISR[11:0]>.</p> | | | | | | | | | | | | | | | | |
| 16 | R/W | RER8 | <p>The RTL8139C(L) receives the error packet whose length is larger than 8 bytes after setting the RER8 bit to 1.</p> <p>The RTL8139C(L) receives the error packet larger than 64-byte long when the RER8 bit is cleared. The power-on default is zero.</p> <p>If AER or AR is set, the RER will be set when the RTL8139C(L) receives an error packet whose length is larger than 8 bytes. The RER8 is "Don't care" in this situation.</p> | | | | | | | | | | | | | | | | |
| 15-13 | R/W | RXFTH2, 1, 0 | <p>Rx FIFO Threshold: Specifies Rx FIFO Threshold level. When the number of the received data bytes from a packet, which is being received into the RTL8139C(L)'s Rx FIFO, has reached to this level (or the FIFO has contained a complete packet), the receive PCI bus master function will begin to transfer the data from the FIFO to the host</p> | | | | | | | | | | | | | | | | |

| | | | |
|-------|-----|--------------|---|
| | | | memory. This field sets the threshold level according to the following table: 000 = 16 bytes 001 = 32 bytes 010 = 64 bytes 011 = 128 bytes 100 = 256 bytes 101 = 512 bytes 110 = 1024 bytes 111 = no rx threshold. The RTL8139C(L) begins the transfer of data after having received a whole packet in the FIFO. |
| 12-11 | R/W | RBLLEN1, 0 | Rx Buffer Length: This field indicates the size of the Rx ring buffer. 00 = 8k + 16 byte 01 = 16k + 16 byte 10 = 32K + 16 byte 11 = 64K + 16 byte |
| 10-8 | R/W | MXDMA2, 1, 0 | Max DMA Burst Size per Rx DMA Burst: This field sets the maximum size of the receive DMA data bursts according to the following table: 000 = 16 bytes 001 = 32 bytes 010 = 64 bytes 011 = 128 bytes 100 = 256 bytes 101 = 512 bytes 110 = 1024 bytes 111 = unlimited |
| 7 | R/W | WRAP | 0: The RTL8139C(L) will transfer the rest of the packet data into the beginning of the Rx buffer if this packet has not been completely moved into the Rx buffer and the transfer has arrived at the end of the Rx buffer. 1: The RTL8139C(L) will keep moving the rest of the packet data into the memory immediately after the end of the Rx buffer, if this packet has not been completely moved into the Rx buffer and the transfer has arrived at the end of the Rx buffer. The software driver must reserve at least 1.5K bytes buffer to accept the remainder of the packet. We assume that the remainder of the packet is X bytes. The next packet will be moved into the memory from the X byte offset at the top of the Rx buffer. This bit is invalid when Rx buffer is selected to 64K bytes. |
| 6 | R | 9356SEL | EEPROM Select: This bit reflects what type of EEPROM is used. 1: The EEPROM used is 9356. 0: The EEPROM used is 9346. |
| 5 | R/W | AER | Accept Error Packets: This bit determines if packets with CRC error, alignment error and/or collided fragments will be accepted or rejected. 0: Reject error packets 1: Accept error packets |
| 4 | R/W | AR | Accept Runt Packets: This bit allows the receiver to accept packets that are smaller than 64 bytes. The packet must be at least 8 bytes long to be accepted as a runt. 0: Reject runt packets 1: Accept runt packets |
| 3 | R/W | AB | Accept Broadcast Packets: This bit allows the receiver to accept or reject broadcast packets. 0: Reject broadcast packets 1: Accept broadcast packets |

| | | | |
|---|-----|-----|---|
| 2 | R/W | AM | Accept Multicast Packets: This bit allows the receiver to accept or reject multicast packets. 0: Reject multicast packets 1: Accept multicast packets |
| 1 | R/W | APM | Accept Physical Match Packets: This bit allows the receiver to accept or reject physical match packets. 0: Reject physical match packets 1: Accept physical match packets |
| 0 | R/W | AAP | Accept Physical Address Packets: This bit allows the receiver to accept or reject packets with a physical destination address. 0: Reject packets with a physical destination address 1: Accept packets with a physical destination address |

6.9 9346CR: 93C46 (93C56) Command Register (Offset 0050h, R/W)

| Bit | R/W | Symbol | Description | | | | | | | | | | | | | | | |
|------|------|---|--|------|------|----------------|---|---|--|---|---|---|---|---|--|---|---|---|
| 7-6 | R/W | EEM1-0 | <p>Operating Mode: These 2 bits select the RTL8139C(L) operating mode.</p> <table border="1"> <thead> <tr> <th>EEM1</th> <th>EEM0</th> <th>Operating Mode</th> </tr> </thead> <tbody> <tr> <td>0</td> <td>0</td> <td>Normal (RTL8139C(L) network/host communication mode)</td> </tr> <tr> <td>0</td> <td>1</td> <td>Auto-load: Entering this mode will make the RTL8139C(L) load the contents of 93C46 (93C56) as when the RSTB signal is asserted. This auto-load operation will take about 2 ms. After it is completed, the RTL8139C(L) goes back to the normal mode automatically (EEM1 = EEM0 = 0) and all the other registers are reset to default values.</td> </tr> <tr> <td>1</td> <td>0</td> <td>93C46 (93C56) programming: In this mode, both network and host bus master operations are disabled. The 93C46 (93C56) can be directly accessed via bit3-0 which now reflect the states of EECS, EESK, EEDI, & EEDO pins respectively.</td> </tr> <tr> <td>1</td> <td>1</td> <td>Config register write enable: Before writing to CONFIG0, 1, 3, 4 registers, and bit13, 12, 8 of BMCR(offset 62h-63h), the RTL8139C(L) must be placed in this mode. This will prevent RTL8139C(L)'s configurations from accidental change.</td> </tr> </tbody> </table> | EEM1 | EEM0 | Operating Mode | 0 | 0 | Normal (RTL8139C(L) network/host communication mode) | 0 | 1 | Auto-load: Entering this mode will make the RTL8139C(L) load the contents of 93C46 (93C56) as when the RSTB signal is asserted. This auto-load operation will take about 2 ms. After it is completed, the RTL8139C(L) goes back to the normal mode automatically (EEM1 = EEM0 = 0) and all the other registers are reset to default values. | 1 | 0 | 93C46 (93C56) programming: In this mode, both network and host bus master operations are disabled. The 93C46 (93C56) can be directly accessed via bit3-0 which now reflect the states of EECS, EESK, EEDI, & EEDO pins respectively. | 1 | 1 | Config register write enable: Before writing to CONFIG0, 1, 3, 4 registers, and bit13, 12, 8 of BMCR(offset 62h-63h), the RTL8139C(L) must be placed in this mode. This will prevent RTL8139C(L)'s configurations from accidental change. |
| EEM1 | EEM0 | Operating Mode | | | | | | | | | | | | | | | | |
| 0 | 0 | Normal (RTL8139C(L) network/host communication mode) | | | | | | | | | | | | | | | | |
| 0 | 1 | Auto-load: Entering this mode will make the RTL8139C(L) load the contents of 93C46 (93C56) as when the RSTB signal is asserted. This auto-load operation will take about 2 ms. After it is completed, the RTL8139C(L) goes back to the normal mode automatically (EEM1 = EEM0 = 0) and all the other registers are reset to default values. | | | | | | | | | | | | | | | | |
| 1 | 0 | 93C46 (93C56) programming: In this mode, both network and host bus master operations are disabled. The 93C46 (93C56) can be directly accessed via bit3-0 which now reflect the states of EECS, EESK, EEDI, & EEDO pins respectively. | | | | | | | | | | | | | | | | |
| 1 | 1 | Config register write enable: Before writing to CONFIG0, 1, 3, 4 registers, and bit13, 12, 8 of BMCR(offset 62h-63h), the RTL8139C(L) must be placed in this mode. This will prevent RTL8139C(L)'s configurations from accidental change. | | | | | | | | | | | | | | | | |
| 4-5 | - | - | Reserved | | | | | | | | | | | | | | | |
| 3 | R/W | EECS | <p>These bits reflect the state of EECS, EESK, EEDI & EEDO pins in auto-load or 93C46 (93C56) programming mode and are valid only when Flash bit is cleared.</p> <p>Note: EESK, EEDI and EEDO is valid after boot ROM complete.</p> | | | | | | | | | | | | | | | |
| 2 | R/W | EESK | | | | | | | | | | | | | | | | |
| 1 | R/W | EEDI | | | | | | | | | | | | | | | | |
| 0 | R | EEDO | | | | | | | | | | | | | | | | |

6.10 CONFIG 0: Configuration Register 0 (Offset 0051h, R/W)

| Bit | R/W | Symbol | Description | | | | | | | | | | | | | | | | | | | | | | | | | | | | | | | | | | | | |
|-----|-----|---------------|--|-----|-----|-----|-------------|---|---|---|-------------|---|---|---|-------------|---|---|---|--------------|---|---|---|--------------|---|---|---|--------------|---|---|---|---------------|---|---|---|--------|---|---|---|--------|
| 7 | R | SCR | Scrambler Mode: Always 0. | | | | | | | | | | | | | | | | | | | | | | | | | | | | | | | | | | | | |
| 6 | R | PCS | PCS Mode: Always 0. | | | | | | | | | | | | | | | | | | | | | | | | | | | | | | | | | | | | |
| 5 | R | T10 | 10 Mbps Mode: Always 0. | | | | | | | | | | | | | | | | | | | | | | | | | | | | | | | | | | | | |
| 4-3 | R | PL1, PL0 | Select 10 Mbps medium type: Always (PL1, PL0) = (1, 0) | | | | | | | | | | | | | | | | | | | | | | | | | | | | | | | | | | | | |
| 2-0 | R | BS2, BS1, BS0 | Select Boot ROM size <table border="1" data-bbox="724 600 1449 898"> <thead> <tr> <th>BS2</th> <th>BS1</th> <th>BS0</th> <th>Description</th> </tr> </thead> <tbody> <tr> <td>0</td> <td>0</td> <td>0</td> <td>No Boot ROM</td> </tr> <tr> <td>0</td> <td>0</td> <td>1</td> <td>8K Boot ROM</td> </tr> <tr> <td>0</td> <td>1</td> <td>0</td> <td>16K Boot ROM</td> </tr> <tr> <td>0</td> <td>1</td> <td>1</td> <td>32K Boot ROM</td> </tr> <tr> <td>1</td> <td>0</td> <td>0</td> <td>64K Boot ROM</td> </tr> <tr> <td>1</td> <td>0</td> <td>1</td> <td>128K Boot ROM</td> </tr> <tr> <td>1</td> <td>1</td> <td>0</td> <td>unused</td> </tr> <tr> <td>1</td> <td>1</td> <td>1</td> <td>unused</td> </tr> </tbody> </table> | BS2 | BS1 | BS0 | Description | 0 | 0 | 0 | No Boot ROM | 0 | 0 | 1 | 8K Boot ROM | 0 | 1 | 0 | 16K Boot ROM | 0 | 1 | 1 | 32K Boot ROM | 1 | 0 | 0 | 64K Boot ROM | 1 | 0 | 1 | 128K Boot ROM | 1 | 1 | 0 | unused | 1 | 1 | 1 | unused |
| BS2 | BS1 | BS0 | Description | | | | | | | | | | | | | | | | | | | | | | | | | | | | | | | | | | | | |
| 0 | 0 | 0 | No Boot ROM | | | | | | | | | | | | | | | | | | | | | | | | | | | | | | | | | | | | |
| 0 | 0 | 1 | 8K Boot ROM | | | | | | | | | | | | | | | | | | | | | | | | | | | | | | | | | | | | |
| 0 | 1 | 0 | 16K Boot ROM | | | | | | | | | | | | | | | | | | | | | | | | | | | | | | | | | | | | |
| 0 | 1 | 1 | 32K Boot ROM | | | | | | | | | | | | | | | | | | | | | | | | | | | | | | | | | | | | |
| 1 | 0 | 0 | 64K Boot ROM | | | | | | | | | | | | | | | | | | | | | | | | | | | | | | | | | | | | |
| 1 | 0 | 1 | 128K Boot ROM | | | | | | | | | | | | | | | | | | | | | | | | | | | | | | | | | | | | |
| 1 | 1 | 0 | unused | | | | | | | | | | | | | | | | | | | | | | | | | | | | | | | | | | | | |
| 1 | 1 | 1 | unused | | | | | | | | | | | | | | | | | | | | | | | | | | | | | | | | | | | | |

6.11 CONFIG 1: Configuration Register 1 (Offset 0052h, R/W)

| Bit | R/W | Symbol | Description | | | | | | | | | | | | | | | |
|--------------|-----|----------------|--|--------------|--|-------|--|--|--|---|---|-------|---|--------------|------------|---|----------------|----------------|
| 7-6 | R/W | LEDS1-0 | Refer to LED PIN definition. These bits' initial value come from 93C46/93C56. | | | | | | | | | | | | | | | |
| 5 | R/W | DVRLOAD | Driver Load: Software may use this bit to make sure that the driver has been loaded. Writing 1 is 1. Writing 0 is 0. When the command register bits IOEN, MEMEN, and BMEN of the PCI configuration space are written, the RTL8139C(L) will clear this bit automatically. | | | | | | | | | | | | | | | |
| 4 | R/W | LWACT | <p>LWAKE active mode: The LWACT bit and LWPTN bit in the CONFIG4 register are used to program the LWAKE pin's output signal. According to the combination of these two bits, there may be 4 choices of LWAKE signal, i.e., active high, active low, positive (high) pulse, and negative (low) pulse. The output pulse width is about 150 ms. In CardBus applications, the LWACT and LWPTN have no meaning.</p> <p>The default value of each of these two bits is 0, i.e., the default output signal of the LWAKE pin is an active high signal.</p> <table border="1" style="margin-left: auto; margin-right: auto;"> <thead> <tr> <th colspan="2">LWAKE output</th> <th colspan="2">LWACT</th> </tr> <tr> <th colspan="2"></th> <th>0</th> <th>1</th> </tr> </thead> <tbody> <tr> <th rowspan="2">LWPTN</th> <th>0</th> <td>Active high*</td> <td>Active low</td> </tr> <tr> <th>1</th> <td>Positive pulse</td> <td>Negative pulse</td> </tr> </tbody> </table> <p>* Default value.</p> | LWAKE output | | LWACT | | | | 0 | 1 | LWPTN | 0 | Active high* | Active low | 1 | Positive pulse | Negative pulse |
| LWAKE output | | LWACT | | | | | | | | | | | | | | | | |
| | | 0 | 1 | | | | | | | | | | | | | | | |
| LWPTN | 0 | Active high* | Active low | | | | | | | | | | | | | | | |
| | 1 | Positive pulse | Negative pulse | | | | | | | | | | | | | | | |
| 3 | R | MEMMAP | Memory Mapping: The operational registers are mapped into PCI memory space. | | | | | | | | | | | | | | | |
| 2 | R | IOMAP | I/O Mapping: The operational registers are mapped into PCI I/O space. | | | | | | | | | | | | | | | |
| 1 | R/W | VPD | Vital Product Data: This is used to set to enable Vital Product Data. The VPD data is stored in 93C46 or 93C56 from within offset 40h-7Fh. | | | | | | | | | | | | | | | |
| 0 | R/W | PMEn | <p>Power Management Enable: Write able only when 93C46CR register EEM1=EEM0=1 Let A denote the New_Cap bit (bit 4 of the Status Register) in the PCI Configuration space offset 06H. Let B denote the Cap_Ptr register in the PCI Configuration space offset 34H. Let C denote the Cap_ID (power management) register in the PCI Configuration space offset 50H. Let D denote the power management registers in the PCI Configuration space offset from 52H to 57H. Let E denote the Next_Ptr (power management) register in the PCI Configuration space offset 51H.</p> <p>PMEn Description</p> <p>0 A=B=C=E=0, D not valid 1 A=1, B=50h, C=01h, D valid, E=0</p> | | | | | | | | | | | | | | | |

6.12 Media Status Register

(Offset 0058h, R/W)

This register allows configuration of a variety of device and PHY options, and provides PHY status information.

| Bit | R/W | Symbol | Description | | | | | | | | | | | | | | | | | | |
|-------------------------------|----------------|-------------------|---|-------------|--------|---------------|---------|---------------|-----|---------|----------------|-----|---------|---------|-----|-------------------------------|---|-----|-------------------------------|---|---------|
| 7 | R/W | TXFCE/ LdTXFCE | <p>Tx Flow Control Enable: The flow control is valid in full-duplex mode only. This register's default value comes from 93C46 (93C56).</p> <table border="1"> <thead> <tr> <th>RTL8139C(L)</th> <th>Remote</th> <th>TXFCE/LdTXFCE</th> </tr> </thead> <tbody> <tr> <td>ANE = 1</td> <td>NWAY FLY mode</td> <td>R/O</td> </tr> <tr> <td>ANE = 1</td> <td>NWAY mode only</td> <td>R/W</td> </tr> <tr> <td>ANE = 1</td> <td>No NWAY</td> <td>R/W</td> </tr> <tr> <td>ANE = 0 & full-duplex mode</td> <td>-</td> <td>R/W</td> </tr> <tr> <td>ANE = 0 & half-duplex mode</td> <td>-</td> <td>invalid</td> </tr> </tbody> </table> <p>NWAY FLY mode: NWAY with flow control capability NWAY mode only: NWAY without flow control capability</p> | RTL8139C(L) | Remote | TXFCE/LdTXFCE | ANE = 1 | NWAY FLY mode | R/O | ANE = 1 | NWAY mode only | R/W | ANE = 1 | No NWAY | R/W | ANE = 0 & full-duplex mode | - | R/W | ANE = 0 & half-duplex mode | - | invalid |
| RTL8139C(L) | Remote | TXFCE/LdTXFCE | | | | | | | | | | | | | | | | | | | |
| ANE = 1 | NWAY FLY mode | R/O | | | | | | | | | | | | | | | | | | | |
| ANE = 1 | NWAY mode only | R/W | | | | | | | | | | | | | | | | | | | |
| ANE = 1 | No NWAY | R/W | | | | | | | | | | | | | | | | | | | |
| ANE = 0 & full-duplex mode | - | R/W | | | | | | | | | | | | | | | | | | | |
| ANE = 0 & half-duplex mode | - | invalid | | | | | | | | | | | | | | | | | | | |
| 6 | R/W | RXFCE | RX Flow control Enable: The flow control is enabled in full-duplex mode only. The default value comes from 93C46 (93C56). | | | | | | | | | | | | | | | | | | |
| 5 | - | - | Reserved | | | | | | | | | | | | | | | | | | |
| 4 | R | Aux_Status | <p>Aux. Power present Status: 1: The Aux. Power is present. 0: The Aux. Power is absent. The value of this bit is fixed after each PCI reset.</p> | | | | | | | | | | | | | | | | | | |
| 3 | R | SPEED_10 | Speed: Set, when current media is 10 Mbps mode. Reset, when current media is 100 Mbps mode. | | | | | | | | | | | | | | | | | | |
| 2 | R | LINKB | Inverse of Link status: 0 = Link OK. 1 = Link Fail. | | | | | | | | | | | | | | | | | | |
| 1 | R | TXPF | Transmit Pause Flag: Set when the RTL8139C(L) sends pause packet. Reset when the RTL8139C(L) sends timer done packet. | | | | | | | | | | | | | | | | | | |
| 0 | R | RXPF | Receive Pause Flag: Set when the RTL8139C(L) is in backoff state because a pause packet received. Reset when pause state is clear. | | | | | | | | | | | | | | | | | | |

6.13 CONFIG 3: Configuration Register3

(Offset 0059h, R/W)

| Bit | R/W | Symbol | Description |
|-----|-----|----------|---|
| 7 | R | GNTSel | <p>Gnt Select: Select the Frame's asserted time after the Grant signal has been asserted. The Frame and Grant are the PCI signals. 1: Delay one clock from GNT assertion 0: No delay</p> |
| 6 | R/W | PARAM_En | <p>Parameter Enable: (These parameters are used in 100Mbps mode) Setting to 0 and 9346CR register EEM1=EEM0=1 enable the PHY1_PARM, PHY2_PARM, TW_PARM be written via software. Setting to 1 will allow parameters auto-loaded from 93C46 (93C56) and disable writing to PHY1_PARM, PHY2_PARM and TW_PARM registers via software. The PHY1_PARM, PHY2_PARM, and TW_PARM can be auto-loaded from EEPROM in this mode. The parameter auto-load process is executed every time when the Link is OK in 100Mbps mode.</p> |

| | | | |
|---|-----|-----------|--|
| 5 | R/W | Magic | <p>Magic Packet: This bit is valid when the PWEn bit of CONFIG1 register is set. The RTL8139C(L) will assert the PMEB signal to wakeup the operating system when the Magic Packet is received.</p> <p>Once the RTL8139C(L) has been enabled for Magic Packet wakeup and has been put into adequate state, it scans all incoming packets addressed to the node for a specific data sequence, which indicates to the controller that this is a Magic Packet frame. A Magic Packet frame must also meet the basic requirements: Destination address + Source address + data + CRC</p> <p>The destination address may be the node ID of the receiving station or a multicast address, which includes the broadcast address.</p> <p>The specific sequence consists of 16 duplications of 6 byte ID registers, with no breaks or interrupts. This sequence can be located anywhere within the packet, but must be preceded by a synchronization stream, 6 bytes of FFh. The device will also accept a multicast address, as long as the 16 duplications of the IEEE address match the address of the ID registers. If the Node ID is 11h 22h 33h 44h 55h 66h, then the magic frame's format is like the following:</p> <p>Destination address + source address + MISC + FF FF FF FF FF FF + MISC + 11 22 33 44 55 66 + 11 22 33 44 55 66 + 11 22 33 44 55 66 + 11 22 33 44 55 66 + 11 22 33 44 55 66 + 11 22 33 44 55 66 + 11 22 33 44 55 66 + 11 22 33 44 55 66 + 11 22 33 44 55 66 + 11 22 33 44 55 66 + 11 22 33 44 55 66 + 11 22 33 44 55 66 + 11 22 33 44 55 66 + 11 22 33 44 55 66 + 11 22 33 44 55 66 + 11 22 33 44 55 66 + MISC + CRC</p> |
| 4 | R/W | LinkUp | <p>Link Up: This bit is valid when the PWEn bit of CONFIG1 register is set. The RTL8139C(L), in adequate power state, will assert the PMEB signal to wakeup the operating system when the cable connection is re-established.</p> |
| 3 | R | CardB_En | <p>Card Bus Enable: Set to 1 to enable CardBus related registers and functions. Set to 0 to disable CardBus related registers and functions.</p> |
| 2 | R | CLKRUN_En | <p>CLKRUN Enable: Set to 1 to enable CLKRUN. Set to 0 to disable CLKRUN.</p> |
| 1 | R | FuncRegEn | <p>Functions Registers Enable (CardBus only): Set to 1 to enable the 4 Function Registers (Function Event Register, Function Event Mask Register, Function Present State Register, and Function Force Event Register) for CardBus application. Set to 0 to disable the 4 Function Registers for CardBus application.</p> |
| 0 | R | FBtBEn | <p>Fast Back to Back Enable: Set to 1 to enable Fast Back to Back.</p> |

5.14 CONFIG 4: Configuration Register4 (Offset 005Ah, R/W)

| Bit | R/W | Symbol | Description |
|-----|-----|---------------|--|
| 7 | R/W | RxFIFOAutoClr | When set to 1, the RTL8139C(L) will clear the Rx FIFO overflow automatically. |
| 6 | R/W | AnaOff | Analog Power Off: This bit can not be auto-loaded from EEPROM (9346 or 9356). 1: Turn off the analog power of the RTL8139C(L) internally. 0: Normal working state. This is also power-on default value. |
| 5 | R/W | LongWF | Long Wake-up Frame: The initial value comes from EEPROM autoload. Set to 1: The RTL8139C(L) supports up to 5 wake-up frames, each with 16-bit CRC algorithm for MS Wakeup Frame, the low byte of 16-bit CRC should be placed at the correspondent CRC register, and the high byte of 16-bit CRC should be placed at the correspondent LSBCRC register. The wake-up frame 0 and 1 are the same as above, except that the masked bytes start from offset 0 to 63. The wake-up frame 2 and 3 are merged into one long wake-up frame respectively with masked bytes selected from offset 0 to 127. The wake-up frame 4 and 5, 6 and 7 are merged respectively into another 2 long wake-up frames. Please refer to 7.4 PCI Power Management functions for a detailed description. Set to 0: The RTL8139C(L) supports up to 8 wake-up frames, each with masked bytes selected from offset 12 to 75. |
| 4 | R/W | LWPME | LANWAKE vs. PMEB: Set to 1: The LWAKE can only be asserted when the PMEB is asserted and the ISOLATEB is low. Set to 0: The LWAKE and PMEB are asserted at the same time. In CardBus application, this bit has no meaning. |
| 3 | - | - | Reserved |
| 2 | R/W | LWPTN | LWAKE pattern: Please refer to LWACT bit in CONFIG1 register. |
| 1 | - | - | Reserved |
| 0 | R/W | PBWakeup | Pre-Boot Wakeup: The initial value comes from EEPROM autoload. 1: Pre-Boot Wakeup disabled. (suitable for CardBus and MiniPCI application) 0: Pre-Boot Wakeup enabled. |

6.15 Multiple Interrupt Select Register

(Offset 005Ch-005Dh, R/W)

If the received packet data is not a familiar protocol (IPX, IP, NDIS, etc.) to RTL8139C(L), RCR<ERTH[3:0]> will not be used to transfer data in early mode. This register will be written to the received data length in order to make an early Rx interrupt for the unfamiliar protocol.

| Bit | R/W | Symbol | Description |
|-------|-----|----------|--|
| 15-12 | - | - | Reserved |
| 11-0 | R/W | MISR11-0 | Multiple Interrupt Select: Indicates that the RTL8139C(L) makes an Rx interrupt after RTL8139C(L) has transferred the byte data into the system memory. If the value of these bits is zero, there will be no early interrupt as soon as the RTL8139C(L) prepares to execute the first PCI transaction of the received data. Bit1, 0 must be zero. The ERTH3-0 bits should not be set to 0 when the multiple interrupt select register is used. |

- The above is true when MulERINT=0 (bit17, RCR). When MulERINT=1, any received packet invokes early interrupt according to MISR[11:0] setting in early mode.

6.16 PCI Revision ID

(Offset 005Eh, R)

| Bit | R/W | Symbol | Description |
|-----|-----|-------------|---|
| 7-0 | R | Revision ID | The value in PCI Configuration Space offset 08h is 10h. |

6.17 Transmit Status of All Descriptors (TSAD) Register

(Offset 0060h-0061h, R/W)

| Bit | R/W | Symbol | Description |
|-----|-----|--------|--------------------------|
| 15 | R | TOK3 | TOK bit of Descriptor 3 |
| 14 | R | TOK2 | TOK bit of Descriptor 2 |
| 13 | R | TOK1 | TOK bit of Descriptor 1 |
| 12 | R | TOK0 | TOK bit of Descriptor 0 |
| 11 | R | TUN3 | TUN bit of Descriptor 3 |
| 10 | R | TUN2 | TUN bit of Descriptor 2 |
| 9 | R | TUN1 | TUN bit of Descriptor 1 |
| 8 | R | TUN0 | TUN bit of Descriptor 0 |
| 7 | R | TABT3 | TABT bit of Descriptor 3 |
| 6 | R | TABT2 | TABT bit of Descriptor 2 |
| 5 | R | TABT1 | TABT bit of Descriptor 1 |
| 4 | R | TABT0 | TABT bit of Descriptor 0 |
| 3 | R | OWN3 | OWN bit of Descriptor 3 |
| 2 | R | OWN2 | OWN bit of Descriptor 2 |
| 1 | R | OWN1 | OWN bit of Descriptor 1 |
| 0 | R | OWN0 | OWN bit of Descriptor 0 |

6.18 Basic Mode Control Register (Offset 0062h-0063h, R/W)

| Bit | Name | Description/Usage | Default/Attribute |
|-------|--------------------------------------|---|-------------------|
| 15 | Reset | This bit sets the status and control registers of the PHY(register 0062-0074H) in a default state. This bit is self-clearing. 1 = software reset; 0 = normal operation. | 0, RW |
| 14 | - | Reserved | - |
| 13 | Spd_Set | This bit sets the network speed. 1 = 100Mbps; 0 = 10Mbps. This bit's initial value comes from 93C46 (93C56). | 0, RW |
| 12 | Auto Negotiation Enable (ANE) | This bit enables/disables the NWay auto-negotiation function. Set to 1 to enable auto-negotiation, bit13 will be ignored. Set to 0 disables auto-negotiation, bit13 and bit8 will determine the link speed and the data transfer mode, respectively. This bit's initial value comes from 93C46 (93C56). | 0, RW |
| 11-10 | - | Reserved | - |
| 9 | Restart Auto Negotiation | This bit allows the NWay auto-negotiation function to be reset. 1 = re-start auto-negotiation; 0 = normal operation. | 0, RW |
| 8 | Duplex Mode | This bit sets the duplex mode. 1 = full-duplex; 0 = normal operation. This bit's initial value comes from 93C46 (93C56). If bit12 = 1, read = status write = register value. If bit12 = 0, read = write = register value. | 0, RW |
| 7-0 | - | Reserved | - |

6.19 Basic Mode Status Register (Offset 0064h-0065h, R)

| Bit | Name | Description/Usage | Default/Attribute |
|------|----------------------------------|---|-------------------|
| 15 | 100Base-T4 | 1 = enable 100Base-T4 support; 0 = suppress 100Base-T4 support. | 0, RO |
| 14 | 100Base_TX_FD | 1 = enable 100Base-TX full duplex support; 0 = suppress 100Base-TX full duplex support. | 1, RO |
| 13 | 100BASE_TX_H D | 1 = enable 100Base-TX half-duplex support; 0 = suppress 100Base-TX half-duplex support. | 1, RO |
| 12 | 10Base_T_FD | 1 = enable 10Base-T full duplex support; 0 = suppress 10Base-T full duplex support. | 1, RO |
| 11 | 10_Base_T_HD | 1 = enable 10Base-T half-duplex support; 0 = suppress 10Base-T half-duplex support. | 1, RO |
| 10-6 | - | Reserved | - |
| 5 | Auto Negotiation Complete | 1 = auto-negotiation process completed; 0 = auto-negotiation process not completed. | 0, RO |
| 4 | Remote Fault | 1 = remote fault condition detected (cleared on read); 0 = no remote fault condition detected. | 0, RO |
| 3 | Auto Negotiation | 1 = Link had not been experienced fail state. 0 = Link had been experienced fail state | 1, RD |
| 2 | Link Status | 1 = valid link established; 0 = no valid link established. | 0, RO |
| 1 | Jabber Detect | 1 = jabber condition detected; 0 = no jabber condition detected. | 0, RO |
| 0 | Extended Capability | 1 = extended register capability; 0 = basic register capability only. | 1, RO |

6.20 Auto-negotiation Advertisement Register (Offset 0066h-0067h, R/W)

| Bit | Name | Description/Usage | Default/ Attribute |
|-------|----------|---|---|
| 15 | NP | Next Page bit. 1 = transmitting the protocol specific data page; 0 = transmitting the primary capability data page | 0, RO |
| 14 | ACK | 1 = acknowledge reception of link partner capability data word. | 0, RO |
| 13 | RF | 1 = advertise remote fault detection capability; 0 = do not advertise remote fault detection capability. | 0, RW |
| 12-11 | - | Reserved | - |
| 10 | Pause | 1 = flow control is supported by local node. 0 = flow control is not supported by local mode. | The default value comes from EEPROM, RO |
| 9 | T4 | 1 = 100Base-T4 is supported by local node; 0 = 100Base-T4 not supported by local node. | 0, RO |
| 8 | TXFD | 1 = 100Base-TX full duplex is supported by local node; 0 = 100Base-TX full duplex not supported by local node. | 1, RW |
| 7 | TX | 1 = 100Base-TX is supported by local node; 0 = 100Base-TX not supported by local node. | 1, RW |
| 6 | 10FD | 1 = 10Base-T full duplex supported by local node; 0 = 10Base-T full duplex not supported by local node. | 1, RW |
| 5 | 10 | 1 = 10Base-T is supported by local node; 0 = 10Base-T not supported by local node. | 1, RW |
| 4-0 | Selector | Binary encoded selector supported by this node. Currently only CSMA/ CD <00001> is specified. No other protocols are supported. | <00001>, RW |

6.21 Auto-Negotiation Link Partner Ability Register (Offset 0068h-0069h, R)

| Bit | Name | Description/Usage | Default/ Attribute |
|-------|----------|--|--------------------|
| 15 | NP | Next Page bit. 1 = transmitting the protocol specific data page; 0 = transmitting the primary capability data page | 0, RO |
| 14 | ACK | 1 = link partner acknowledges reception of local node's capability data word. | 0, RO |
| 13 | RF | 1 = link partner is indicating a remote fault. | 0, RO |
| 12-11 | - | Reserved | - |
| 10 | Pause | 1 = Flow control is supported by link partner, 0 = Flow control is not supported by link partner. | 0, RO |
| 9 | T4 | 1 = 100Base-T4 is supported by link partner; 0 = 100Base-T4 not supported by link partner. | 0, RO |
| 8 | TXFD | 1 = 100Base-TX full duplex is supported by link partner; 0 = 100Base-TX full duplex not supported by link partner. | 0, RO |
| 7 | TX | 1 = 100Base-TX is supported by link partner; 0 = 100Base-TX not supported by link partner. | 0, RO |
| 6 | 10FD | 1 = 10Base-T full duplex is supported by link partner; 0 = 10Base-T full duplex not supported by link partner. | 0, RO |
| 5 | 10 | 1 = 10Base-T is supported by link partner; 0 = 10Base-T not supported by link partner. | 0, RO |
| 4-0 | Selector | Link Partner's binary encoded node selector. Currently only CSMA/ CD <00001> is specified. | <00000>, RO |

6.22 Auto-negotiation Expansion Register (Offset 006Ah-006Bh, R)

This register contains additional status for NWay auto-negotiation.

| Bit | Name | Description/Usage | Default/ Attribute |
|------|------------|--|--------------------|
| 15-5 | - | Reserved. These bits are always set to 0. | - |
| 4 | MLF | Status indicating if a multiple link fault has occurred. 1 = fault occurred; 0 = no fault occurred. | 0, RO |
| 3 | LP_NP_ABLE | Status indicating if the link partner supports Next Page negotiation. 1 = supported; 0 = not supported. | 0, RO |
| 2 | NP_ABLE | This bit indicates if the local node is able to send additional Next Pages. | 0, RO |
| 1 | PAGE_RX | This bit is set when a new Link Code Word Page has been received. The bit is automatically cleared when the auto-negotiation link partner's ability register (register 5) is read by management. | 0, RO |
| 0 | LP_NW_ABLE | 1 = link partner supports NWay auto-negotiation. | 0, RO |

6.23 Disconnect Counter (Offset 006Ch-006Dh, R)

| Bit | Name | Description/Usage | Default/ Attribute |
|------|------|---|--------------------|
| 15-0 | DCNT | This 16-bit counter increments by 1 for every disconnect event. It rolls over when becomes full. It is cleared to zero by read command. | h'[0000], R |

6.24 False Carrier Sense Counter (Offset 006Eh-006Fh, R)

This counter provides information required to implement the "False Carriers" attribute within the MAU managed object class of Clause 30 of the IEEE 802.3u specification.

| Bit | Name | Description/Usage | Default/ Attribute |
|------|--------|--|--------------------|
| 15-0 | FCSCNT | This 16-bit counter increments by 1 for each false carrier event. It is cleared to zero by read command. | h'[0000], R |

6.25 NWay Test Register (Offset 0070h-0071h, R/W)

| Bit | Name | Description/Usage | Default/ Attribute |
|------|---------|---|--------------------|
| 15-8 | - | Reserved | - |
| 7 | NWLPBK | 1 = set NWay to loopback mode. | 0, RW |
| 6-4 | - | Reserved | - |
| 3 | ENNWLE | 1 = LED0 Pin indicates linkpulse | 0, RW |
| 2 | FLAGABD | 1 = Auto-neg experienced ability detect state | 0, RO |
| 1 | FLAGPDF | 1 = Auto-neg experienced parallel detection fault state | 0, RO |
| 0 | FLAGLSC | 1 = Auto-neg experienced link status check state | 0, RO |

6.26 RX_ER Counter (Offset 0072h-0073h, R)

| Bit | Name | Description/Usage | Default/ Attribute |
|------|----------------|--|--------------------|
| 15-0 | RXERCNT | This 16-bit counter increments by 1 for each valid packet received. It is cleared to zero by read command. | h'[0000], R |

6.27 CS Configuration Register (Offset 0074h-0075h, R/W)

| Bit | Name | Description/Usage | Default/ Attribute |
|-------|----------------------|---|--------------------|
| 15 | Testfun | 1 = Auto-neg speeds up internal timer | 0, WO |
| 14-10 | - | Reserved | - |
| 9 | LD | Active low TPI link disable signal. When low, TPI still transmits link pulses and TPI stays in good link state. | 1, RW |
| 8 | HEART BEAT | 1 = HEART BEAT enable, 0 = HEART BEAT disable. HEART BEAT function is only valid in 10Mbps mode. | 1, RW |
| 7 | JBEN | 1 = enable jabber function. 0 = disable jabber function | 1, RW |
| 6 | F_LINK_100 | Used to login force good link in 100Mbps for diagnostic purposes. 1 = DISABLE, 0 = ENABLE. | 1, RW |
| 5 | F Connect | Assertion of this bit forces the disconnect function to be bypassed. | 0, RW |
| 4 | - | Reserved | - |
| 3 | Con_status | This bit indicates the status of the connection. 1 = valid connected link detected; 0 = disconnected link detected. | 0, RO |
| 2 | Con_status_En | Assertion of this bit configures LED1 pin to indicate connection status. | 0, RW |
| 1 | - | Reserved | - |
| 0 | PASS_SCR | Bypass Scramble | 0, RW |

6.28 Flash Memory Read/Write Register (Offset 00D4h-00D7h, R/W)

| Bit | R/W | Symbol | Description |
|-------|-----|----------|---|
| 31-24 | R/W | MD7-MD0 | Flash Memory Data Bus: These bits set and reflect the state of the MD7 - MD0 pins, during write and read process respectively. |
| 23-21 | - | - | Reserved |
| 20 | W | ROMCSB | Chip Select: This bit sets the state of the ROMCSB pin. |
| 19 | W | OEB | Output Enable: This bit sets the state of the OEB pin. |
| 18 | W | WEB | Write Enable: This bit sets the state of the WEB pin. |
| 17 | W | SWRWEn | Enable software access to flash memory: 0: Disable read/write access to flash memory via software. 1: Enable read/write access to flash memory via software and disable the EEPROM access during flash memory access via software. |
| 16-0 | W | MA16-MA0 | Flash Memory Address Bus: These bits set the state of the MA16-0 pins. |

6.29 Config5: Configuration Register 5 (Offset 00D8h, R/W)

This register, unlike other Config registers, is not protected by the 93C46 Command register. Therefore, there is no need to enable Config register write prior to writing to Config5.

| Bit | R/W | Symbol | Description |
|-----|-----|-------------|--|
| 7 | - | - | Reserved |
| 6 | R/W | BWF | Broadcast Wakeup Frame: 0: Default value. Disable Broadcast Wakeup Frame with mask bytes of only DID field = FF FF FF FF FF FF. 1: Enable Broadcast Wakeup Frame with mask bytes of only DID field = FF FF FF FF FF FF. The power-on default value of this bit is 0. |
| 5 | R/W | MWF | Mroadcast Wakeup Frame: 0: Default value. Disable Multicast Wakeup Frame with mask bytes of only DID field, which is a multicast address. 1: Enable Multicast Wakeup Frame with mask bytes of only DID field, which is a multicast address. The power-on default value of this bit is 0. |
| 4 | R/W | UWF | Unicast Wakeup Frame: 0: Default value. Disable Unicast Wakeup Frame with mask bytes of only DID field, which is its own physical address. 1: Enable Unicast Wakeup Frame with mask bytes of only DID field, which is its own physical address. The power-on default value of this bit is 0. |
| 3 | R/W | FIFOAddrPtr | FIFO Address Pointer: (Realtek internal use only to test FIFO SRAM) 0: (Power-on) default value. Both Rx and Tx FIFO address pointers are updated in ascending way from 0 and upwards. The initial FIFO address pointer is 0. 1: Both Rx and Tx FIFO address pointers are updated in descending way from 1FFh and downwards. The initial FIFO address pointer is 1FFh. Note: This bit does not participate in EEPROM auto-load. The FIFO address pointers can not be reset, except initial power-on. The power-on default value of this bit is 0. |
| 2 | R/W | LDPS | Link Down Power Saving mode: When cable is disconnected (Link Down), the analog part will power down itself (PHY Tx part & part of twister) automatically. However, the PHY Rx part and part of twister to monitor SD signal will not, in case the cable is re-connected and Link should be established again. 1: Disable. 0: Enable. |
| 1 | R/W | LANWake | LANWake signal enable/disable: 1: Enable LANWake signal. 0: Disable LANWake signal. |
| 0 | R/W | PME_STS | PME_Status bit: Always sticky/can be reset by PCI RST# and software. 1: The PME_Status bit can be reset by PCI reset or by software. 0: The PME_Status bit can only be reset by software. |

- Config5 register, offset D8h: (SYM_ERR register is changed to Config5, the function of SYM_ERR register is no longer supported by RTL8139C.)
- The 3 bits (bit2-0) are auto-loaded from EEPROM Config5 byte to RTL8139C Config5 register.

6.30 Function Event Register (Offset 00F0h-00F3h, R/W)

| Bit | R/W | Symbol | Description |
|-------|-----|--------|--|
| 31-16 | - | - | Reserved |
| 15 | R/W | INTR | Interrupt: This bit is set to 1 when INTR field in the Function Force Event Register is set. Writing a 1 may clear this bit. Writing a 0 has no effect. This bit is not affected by the RST# pin and software reset. |
| 14-5 | - | - | Reserved |
| 4 | R/W | GWAKE | General Wakeup: This bit is set to 1 when the GWAKE field in the Function Present State Register changes its state from 0 to 1. This bit can also be set when the GWAKE bit of the Function Force Register is set. Writing a 1 may clear this bit. Writing a 0 has no effect. This bit is not affected by the RST# pin. |
| 3-0 | - | - | Reserved |

- This register is valid only when Card_En=1 (bit3, Config3) and FuncRegEn=1 (bit1, Config3).
- The Function Event (Offset F0h), Function Event Mask (Offset F4h), Function Present State (Offset F8h), and Function Force Event (Offset FCh) registers have some corresponding fields with the same names. The GWAKE and INTR bits of these registers reflect the wake-up event signaled on the SCTCSCHG pin. The operation of CSTCSCHG pin is similar to PME# pin except that the CSTCSCHG pin is asserted high.

6.31 Function Event Mask Register (Offset 00F4h-00F7h, R/W)

| Bit | R/W | Symbol | Description |
|-------|-----|--------|--|
| 31-16 | - | - | Reserved |
| 15 | R/W | INTR | Interrupt mask: When cleared (0), setting of the INTR bit in either the Function Present State Register or the Function Event Register will neither cause assertion of the INT# signal while the CardBus PC Card interface is powered up, nor the system Wakeup (CSTSCHG) while the interface is powered off. Setting this bit to 1, enables the INTR bit in both the Function Present State Register and the Function Event Register to generate the INT# signal (and the system Wakeup if the corresponding WKUP field in this Function Event Mask Register is also set). This bit is not affected by the RST# pin. |
| 14 | R/W | WKUP | Wakeup mask: When cleared (0), the Wakeup function is disabled, i.e., the setting of this bit in the Function Event Register will not assert the CSTSCHG signal. Setting this bit to 1, enables the fields in the Function Event Register to assert the CSTSCHG signal. This bit is not affected by RST#. |
| 13-5 | - | - | Reserved |
| 4 | R/W | GWAKE | General Wakeup mask: When cleared (0), setting this bit in the Function Event Register will not cause the CSTSCHG pin to be asserted. Setting this bit to 1, enables the GWAKE field in the Function Event Register to assert CSTSCHG pin if bit14 of this register is also set. This bit is not affected by RST#. |
| 3-0 | - | - | Reserved |

- This register is valid only when Card_En=1 (bit3, Config3) and FuncRegEn=1 (bit1, Config3).

6.32 Function Present State Register (Offset 00F8h-00FBh, R)

| Bit | R/W | Symbol | Description |
|-------|-----|--------|--|
| 31-16 | - | - | Reserved |
| 15 | R | INTR | Interrupt: This bit is set when one of the ISR register bits has been set to 1. This bit remains set (1), until all of the ISR register bits have been cleared. It is not affected by RST#. |
| 14-5 | - | - | Reserved |
| 4 | R | GWAKE | General Wakeup: This bit reflects the current state of the Wakeup event(s), it's just like the PME_Status bit of the PMCSR register. This bit remains set (1), until the PME_Status bit of the PMCSR register is cleared. It is not affected by RST#. |
| 3-0 | - | - | Reserved |

- This register is valid only when Card_En=1 (bit3, Config3) and FuncRegEn=1 (bit1, Config3).
- This read-only register reflects the current state of the function.

6.33 Function Force Event Register (Offset 00FCh-00FFh, W)

| Bit | R/W | Symbol | Description |
|-------|-----|--------|---|
| 31-16 | - | - | Reserved |
| 15 | W | INTR | Interrupt: Writing a 1 sets the INTR bit in the Function Event Register. However, the INTR bit in the Function Present State Register is not affected and continues to reflect the current state of the ISR register. Writing a 0 to this bit has no effect. |
| 14-5 | - | - | Reserved |
| 4 | W | GWAKE | General Wakeup: Setting this bit to 1, sets the GWAKE bit in the Function Event Register. However, the GWAKE bit in the Function Present State Register is not affected and continues to reflect the current state of the Wakeup request. Writing a 0 to this bit has no effect. |
| 3-0 | - | - | Reserved |

- This register is valid only when Card_En=1 (bit3, Config3) and FuncRegEn=1 (bit1, Config3).

7. EEPROM Contents (93C46 or 93C56)

The 93C46 is a 1K-bit EEPROM (the 93C56 is a 2K-bit EEPROM). Although it is actually addressed by words, its contents are listed below by bytes for convenience. After the valid duration of the RSTB pin or auto-load command in 9346CR, the RTL8139C(L) performs a series of EEPROM read operations from the 93C46 (93C56) address 00H to 31H.

* It is suggested to obtain Realtek approval before changing the default settings of the EEPROM.

| Bytes | Contents | Description |
|------------|-------------|--|
| 00h 01h | 29h 81h | These 2 bytes contain the ID code word for the RTL8139C(L). The RTL8139C(L) will load the contents of the EEPROM into the corresponding location if the ID word (8129h) is correct, otherwise, the Vendor ID and Device ID of the PCI configuration space are hex 10EC and 8129 respectively. |
| 02h-03h | VID | PCI Vendor ID, PCI configuration space offset 00h-01h. |
| 04h-05h | DID | PCI Device ID, PCI configuration space offset 02h-03h. |
| 06h-07h | SVID | PCI Subsystem Vendor ID, PCI configuration space offset 2Ch-2Dh. |
| 08h-09h | SMID | PCI Subsystem ID, PCI configuration space offset 2Eh-2Fh. |
| 0Ah | MNGNT | PCI Minimum Grant Timer, PCI configuration space offset 3Eh. |
| 0Bh | MXLAT | PCI Maximum Latency Timer, PCI configuration space offset 3Fh. |
| 0Ch | MSRBMCR | Bits 7-6 map to bits 7-6 of the Media Status register (MSR); Bits 5, 4, 0 map to bits 13, 12, 8 of the Basic Mode Control register (BMCR); Bits 3-2 are reserved. If the network speed is set to Auto-Detect mode (i.e. Nway mode), then Bit 1=0 means the local RTL8139C(L) supports flow control (IEEE 802.3x). In this case, Bit 10=1 in the Auto-negotiation Advertisement Register (offset 66h-67h). Bit 1=1 means the local RTL8139C(L) does not support flow control. In this case, Bit 10=0 in Auto-negotiation Advertisement. This is because there are Nway switch hubs which keep sending flow control pause packets for no reason, if the link partner supports Nway flow control. |
| 0Dh | CONFIG3 | RTL8139C(L) Configuration register 3, operational register offset 59H. |
| 0Eh-13h | Ethernet ID | After auto-load command or hardware reset, the RTL8139C(L) loads the Ethernet ID to IDR0-IDR5 of the RTL8139C(L)'s I/O registers. |
| 14h | CONFIG0 | RTL8139C(L) Configuration register 0, operational registers offset 51h. |
| 15h | CONFIG1 | RTL8139C(L) Configuration register 1, operational registers offset 52h. |
| 16h-17h | PMC | Reserved. Do not change this field without Realtek approval. Power Management Capabilities. PCI configuration space address 52h and 53h. |
| 18h | - | Reserved. Do not change this field without Realtek approval. |
| 19h | CONFIG4 | Reserved. Do not change this field without Realtek approval. RTL8139C(L) Configuration register 4, operational registers offset 5Ah. |
| 1Ah-1Dh | PHY1_PARM_U | Reserved. Do not change this field without Realtek approval. PHY Parameter 1-U for RTL8139C. Operational registers of the RTL8139C(L) are from 78h to 7Bh. |
| 1Eh | PHY2_PARM_U | Reserved. Do not change this field without Realtek approval. PHY Parameter 2-U for RTL8139C. Operational register of the RTL8139C(L) is 80h. |

| | | |
|---------|-------------|--|
| 1Fh | CONFIG_5 | Do not change this field without Realtek approval. Bit7-3: Reserved. Bit2: Link Down Power Saving mode: Set to 1: Disable. Set to 0: Enable. When cable is disconnected(Link Down), the analog part will power down itself (PHY Tx part & part of twister) automatically except PHY Rx part and part of twister to monitor SD signal in case that cable is re-connected and Link should be established again. Bit1: LANWake signal Enable/Disable Set to 1: Enable LANWake signal. Set to 0: Disable LANWake signal. Bit0: PME_Status bit property Set to 1: The PME_Status bit can be reset by PCI reset or by software if D3cold_support_PME is 0. If D3cold_support_PME=1, the PME_Status bit is a sticky bit. Set to 0: The PME_Status bit is always a sticky bit and can only be reset by software. |
| 20h-23h | TW_PARM_U | Reserved. Do not change this field without Realtek approval. Twister Parameter U for RTL8139C. Operational registers of the RTL8139C(L) are 7Ch-7Fh. |
| 24h-27h | TW_PARM_T | Reserved. Do not change this field without Realtek approval. Twister Parameter T for RTL8139C. Operational registers of the RTL8139C(L) are 7Ch-7Fh. |
| 28h-2Bh | PHY1_PARM_T | Reserved. Do not change this field without Realtek approval. PHY Parameter 1-T for RTL8139C. Operational registers of the RTL8139C(L) are from 78h to 7Bh. |
| 2Ch | PHY2_PARM_T | Reserved. Do not change this field without Realtek approval. PHY Parameter 2-T for RTL8139C. Operational register of the RTL8139C(L) is 80h. |
| 2Dh-2Fh | - | Reserved. |
| 30h-31h | CISPointer | Reserved. Do not change this field without Realtek approval. CIS Pointer. |
| 32h-33h | Checksum | Reserved. Do not change this field without Realtek approval. Checksum of the EEPROM content. |
| 34h-3Eh | - | Reserved. Do not change this field without Realtek approval. |
| 3Fh | PXE_Para | Reserved. Do not change this field without Realtek approval. PXE ROM code parameter. |
| 40h-7Fh | VPD_Data | VPD data field. Offset 40h is the start address of the VPD data. |
| 80h-FFh | CIS_Data | CIS data field. Offset 80h is the start address of the CIS data. (93C56 only). |

7.1 Summary of EEPROM Registers

| Offset | Name | Type | Bit7 | Bit6 | Bit5 | Bit4 | Bit3 | Bit2 | Bit1 | Bit0 |
|---------|-------------|-------|-------------------|---------|---------|--------|----------|---------------|---------------|--------|
| 00h-05h | IDR0 – IDR5 | R/W* | | | | | | | | |
| 51h | CONFIG0 | R | | - | - | - | - | BS2 | BS1 | BS0 |
| | | W* | - | - | - | - | - | - | - | - |
| 52h | CONFIG1 | R | LEDS1 | LEDS0 | DVRLOAD | LWACT | MEMMAP | IOMAP | VPD | PMEN |
| | | W* | LEDS1 | LEDS0 | DVRLOAD | LWACT | - | - | VPD | PMEN |
| 58h | MSRBMCR | R | TxFCE | RxFCE | - | - | - | - | | |
| | | W* | TxFCE | RxFCE | - | - | - | - | | |
| 63h | MSRBMCR | R | - | - | Spd_Set | ANE | - | - | - | FUDUP |
| | | W* | - | - | Spd_Set | ANE | - | - | - | FUDUP |
| 59h | CONFIG3 | R | GNTDel | PARM_EN | Magic | LinkUp | CardB_En | CLKRU N_En | FuncReg En | FBtBEn |
| | | W* | - | PARM_EN | Magic | LinkUp | - | - | - | - |
| 5Ah | CONFIG4 | R/W* | RxFIFO AutoClr | AnaOff | LongWF | LWPME | - | LWPTN | - | - |
| 78h-7Bh | PHY1_PARM | R/W** | 32 bit Read Write | | | | | | | |
| 7Ch-7Fh | TW1_PARM | R/W** | 32 bit Read Write | | | | | | | |
| | TW2_PARM | R/W** | 32 bit Read Write | | | | | | | |
| 80h | PHY2_PARM | R/W** | 8 bit Read Write | | | | | | | |

* The registers marked with type = W* can be written only if bits EEM1=EEM0=1.

** The registers marked with type = W** can be written only if bits EEM1=EEM0=1 and CONFIG3<PARM_EN> = 0.

7.2 Summary of EEPROM Power Management Registers

| Configuration Space offset | Name | Type | Bit7 | Bit6 | Bit5 | Bit4 | Bit3 | Bit2 | Bit1 | Bit0 |
|----------------------------|------|------|-------------|------------|--------|----------|--------|---------|------|----------|
| 52h | PMC | R | Aux_I_b1 | Aux_I_b0 | DSI | Reserved | PMECLK | Version | | |
| 53h | | R | PME_D3_cold | PME_D3_hot | PME_D2 | PME_D1 | PME_D0 | D2 | D1 | Aux_I_b2 |
| 55h | PMCS | R | PME_Status | - | - | - | - | - | - | PME_En |
| | | W | PME_Status | - | - | - | - | - | - | PME_En |

8. PCI Configuration Space Registers

8.1 PCI Configuration Space Table

| No. | Name | Type | Bit7 | Bit6 | Bit5 | Bit4 | Bit3 | Bit2 | Bit1 | Bit0 |
|---------|-------------|---------------------|--------|--------|--------|--------|--------|--------|--------|--------|
| 00h | VID | R | VID7 | VID6 | VID5 | VID4 | VID3 | VID2 | VID1 | VID0 |
| 01h | | R | VID15 | VID14 | VID13 | VID12 | VID11 | VID10 | VID9 | VID8 |
| 02h | DID | R | DID7 | DID6 | DID5 | DID4 | DID3 | DID2 | DID1 | DID0 |
| 03h | | R | DID15 | DID14 | DID13 | DID12 | DID11 | DID10 | DID9 | DID8 |
| 04h | Command | R | 0 | PERRSP | 0 | 0 | - | BMEN | MEMEN | IOEN |
| | | W | - | PERRSP | - | - | - | BMEN | MEMEN | IOEN |
| 05h | | R | 0 | 0 | 0 | 0 | 0 | 0 | FBTBEN | SERREN |
| | | W | - | - | - | - | - | - | - | SERREN |
| 06h | Status | R | FBBC | 0 | 0 | NewCap | 0 | 0 | 0 | 0 |
| 07h | | R | DPERR | SSERR | RMABT | RTABT | STABT | DST1 | DST0 | DPD |
| | | W | DPERR | SSERR | RMABT | RTABT | STABT | - | - | DPD |
| 08h | Revision ID | R | 0 | 0 | 0 | 0 | 0 | 0 | 0 | 0 |
| 09h | PIFR | R | 0 | 0 | 0 | 0 | 0 | 0 | 0 | 0 |
| 0Ah | SCR | R | 0 | 0 | 0 | 0 | 0 | 0 | 0 | 0 |
| 0Bh | BCR | R | 0 | 0 | 0 | 0 | 0 | 0 | 1 | 0 |
| 0Ch | CLS | R | 0 | 0 | 0 | 0 | 0 | 0 | 0 | 0 |
| 0Dh | LTR | R | LTR7 | LTR6 | LTR5 | LTR4 | LTR3 | LTP2 | LTR1 | LTR0 |
| | | W | LTR7 | LTR6 | LTR5 | LTR4 | LTR3 | LTP2 | LTR1 | LTR0 |
| 0Eh | HTR | R | 0 | 0 | 0 | 0 | 0 | 0 | 0 | 0 |
| 0Fh | BIST | R | 0 | 0 | 0 | 0 | 0 | 0 | 0 | 0 |
| 10h | IOAR | R | 0 | 0 | 0 | 0 | 0 | 0 | 0 | IOIN |
| | | W | - | - | - | - | - | - | - | - |
| 11h | | R/W | IOAR15 | IOAR14 | IOAR13 | IOAR12 | IOAR11 | IOAR10 | IOAR9 | IOAR8 |
| 12h | | R/W | IOAR23 | IOAR22 | IOAR21 | IOAR20 | IOAR19 | IOAR18 | IOAR17 | IOAR16 |
| 13h | | R/W | IOAR31 | IOAR30 | IOAR29 | IOAR28 | IOAR27 | IOAR26 | IOAR25 | IOAR24 |
| 14h | MEMAR | R | 0 | 0 | 0 | 0 | 0 | 0 | 0 | MEMIN |
| | | W | - | - | - | - | - | - | - | - |
| 15h | | R/W | MEM15 | MEM14 | MEM13 | MEM12 | MEM11 | MEM10 | MEM9 | MEM8 |
| 16h | | R/W | MEM23 | MEM22 | MEM21 | MEM20 | MEM19 | MEM18 | MEM17 | MEM16 |
| 17h | | R/W | MEM31 | MEM30 | MEM29 | MEM28 | MEM27 | MEM26 | MEM25 | MEM24 |
| 18h-27h | RESERVED | | | | | | | | | |
| 28h-2Bh | CISPtr | Cardbus CIS Pointer | | | | | | | | |
| 2Ch | SVID | R | SVID7 | SVID6 | SVID5 | SVID4 | SVID3 | SVID2 | SVID1 | SVID0 |
| | | R | SVID15 | SVID14 | SVID13 | SVID12 | SVID11 | SVID10 | SVID9 | SVID8 |
| 2Eh | SMID | R | SMID7 | SMID6 | SMID5 | SMID4 | SMID3 | SMID2 | SMID1 | SMID0 |
| | | R | SMID15 | SMID14 | SMID13 | SMID12 | SMID11 | SMID10 | SMID9 | SMID8 |
| 30h | BMAR | R | 0 | 0 | 0 | 0 | 0 | 0 | 0 | BROMEN |
| | | W | - | - | - | - | - | - | - | BROMEN |
| 31h | | R | BMAR15 | BMAR14 | BMAR13 | BMAR12 | BMAR11 | 0 | 0 | 0 |
| | | W | BMAR15 | BMAR14 | BMAR13 | BMAR12 | BMAR11 | - | - | - |
| 32h | | R/W | BMAR23 | BMAR22 | BMAR21 | BMAR20 | BMAR19 | BMAR18 | BMAR17 | BMAR16 |
| 33h | | R/W | BMAR31 | BMAR30 | BMAR29 | BMAR28 | BMAR27 | BMAR26 | BMAR25 | BMAR24 |
| 34h | Cap_Ptr | R | 0 | 1 | 0 | 1 | 0 | 0 | 0 | 0 |
| 35h-3Bh | RESERVED | | | | | | | | | |
| 3Ch | ILR | R/W | ILR7 | ILR6 | ILR5 | ILR4 | ILR3 | ILR2 | ILR1 | ILR0 |

| | | | | | | | | | | |
|---------|------------------|-----|------------------------|-----------------------|------------|------------|------------|------------|-------------|-----------|
| 3Dh | IPR | R | 0 | 0 | 0 | 0 | 0 | 0 | 0 | 1 |
| 3Eh | MNGNT | R | 0 | 0 | 1 | 0 | 0 | 0 | 0 | 0 |
| 3Fh | MXLAT | R | 0 | 0 | 1 | 0 | 0 | 0 | 0 | 0 |
| 40h–4Fh | RESERVED | | | | | | | | | |
| 50h | PMID | R | 0 | 0 | 0 | 0 | 0 | 0 | 0 | 1 |
| 51h | NextPtr | R | 0 | 0 | 0 | 0 | 0 | 0 | 0 | 0 |
| 52h | PMC | R | Aux I b1 | Aux I b0 | DSI | Reserved | PMECLK | Version | | |
| 53h | | R | PME_D3 _{cold} | PME_D3 _{hot} | PME_D2 | PME_D1 | PME_D0 | D2 | D1 | Aux I b2 |
| 54h | PMCSR | R | 0 | 0 | 0 | 0 | 0 | 0 | Power State | |
| | | W | - | - | - | - | - | - | Power State | |
| 55h | | R | PME_Status | - | - | - | - | - | - | PME_En |
| | | W | PME_Status | - | - | - | - | - | - | PME_En |
| 56h–5Fh | RESERVED | | | | | | | | | |
| 60h | VPDID | R | 0 | 0 | 0 | 0 | 0 | 0 | 1 | 1 |
| 61h | NextPtr | R | 0 | 0 | 0 | 0 | 0 | 0 | 0 | 0 |
| 62h | Flag VPD Address | R/W | VPDADDR 7 | VPDADDR 6 | VPDADD R5 | VPDADD R4 | VPDADD R3 | VPDADD R2 | VPDADD R1 | VPDADD R0 |
| 63h | | R/W | Flag | VPDADDR 14 | VPDADD R13 | VPDADD R12 | VPDADD R11 | VPDADD R10 | VPDADD R9 | VPDADD R8 |
| 64h | VPD Data | R/W | Data7 | Data6 | Data5 | Data4 | Data3 | Data2 | Data1 | Data0 |
| 65h | | R/W | Data15 | Data14 | Data13 | Data12 | Data11 | Data10 | Data9 | Data8 |
| 66h | | R/W | Data23 | Data22 | Data21 | Data20 | Data19 | Data18 | Data17 | Data16 |
| 67h | | R/W | Data31 | Data30 | Data29 | Data28 | Data27 | Data26 | Data25 | Data24 |
| 68h–Fh | RESERVED | | | | | | | | | |

8.2 PCI Configuration Space Functions

The PCI configuration space is intended for configuration, initialization, and catastrophic error handling functions. The functions of RTL8139C(L)'s configuration space are described below.

VID: Vendor ID. This field will be set to a value corresponding to PCI Vendor ID in the external EEPROM. If there is no EEPROM, this field will default to a value of 10ECh which is Realtek Semiconductor's PCI Vendor ID.

DID: Device ID. This field will be set to a value corresponding to PCI Device ID in the external EEPROM. If there is no EEPROM, this field will default to a value of 8129h.

Command: The command register is a 16-bit register used to provide coarse control over a device's ability to generate and respond to PCI cycles.

| Bit | Symbol | Description |
|-------|----------|--|
| 15-10 | - | Reserved |
| 9 | FBTBEN | Fast Back-To-Back Enable: Config3<FBtBEn>=0:Read as 0. Write operation has no effect. The RTL8139C(L) will not generate Fast Back-to-back cycles. When Config3<FbtBEn>=1, This read/write bit controls whether or not a master can do fast back-to-back transactions to different devices. Initialization software will set the bit if all targets are fast back-to-back capable. A value of 1 means the master is allowed to generate fast back-to-back transaction to different agents. A value of 0 means fast back-to-back transactions are only allowed to the same agent. This bit's state after RST# is 0. |
| 8 | SERREN | System Error Enable: When set to 1, the RTL8139C(L) asserts the SERRB pin when it detects a parity error on the address phase (AD<31:0> and CBEB<3:0>). |
| 7 | ADSTEP | Address/Data Stepping: Read as 0, write operation has no effect. The RTL8139C(L) never performs address/data stepping. |
| 6 | PERRSP | Parity Error Response: When set to 1, RTL8139C(L) will assert the PERRB pin on the detection of a data parity error when acting as the target, and will sample the PERRB pin as the master. When set to 0, any detected parity error is ignored and the RTL8139C(L) continues normal operation. Parity checking is disabled after hardware reset (RSTB). |
| 5 | VGASNOOP | VGA palette SNOOP: Read as 0, write operation has no effect. |
| 4 | MWIEN | Memory Write and Invalidate cycle Enable: Read as 0, write operation has no effect. |
| 3 | SCYCEN | Special Cycle Enable: Read as 0, write operation has no effect. The RTL8139C(L) ignores all special cycle operation. |
| 2 | BMEN | Bus Master Enable: When set to 1, the RTL8139C(L) is capable of acting as a bus master. When set to 0, it is prohibited from acting as a PCI bus master. For the normal operation, this bit must be set by the system BIOS. |
| 1 | MEMEN | Memory Space Access: When set to 1, the RTL8139C(L) responds to memory space accesses. When set to 0, the RTL8139C(L) ignores memory space accesses. |
| 0 | IOEN | I/O Space Access: When set to 1, the RTL8139C(L) responds to IO space access. When set to 0, the RTL8139C(L) ignores I/O space accesses. |

Status: The status register is a 16-bit register used to record status information for PCI bus related events. Reads to this register behave normally. Writes are slightly different in that bits can be reset, but not set.

| Bit | Symbol | Description |
|------|--------|---|
| 15 | DPERR | Detected Parity Error: When set indicates that the RTL8139C(L) detected a parity error, even if parity error handling is disabled in command register PERRSP bit. |
| 14 | SSERR | Signaled System Error: When set indicates that the RTL8139C(L) asserted the system error pin, SERRB. Writing a 1 clears this bit to 0. |
| 13 | RMABT | Received Master Abort: When set indicates that the RTL8139C(L) terminated a master transaction with master abort. Writing a 1 clears this bit to 0. |
| 12 | RTABT | Received Target Abort: When set indicates that the RTL8139C(L) master transaction was terminated due to a target abort. Writing a 1 clears this bit to 0. |
| 11 | STABT | Signaled Target Abort: Set to 1 whenever the RTL8139C(L) terminates a transaction with target abort. Writing a 1 clears this bit to 0. |
| 10-9 | DST1-0 | Device Select Timing: These bits encode the timing of DEVSELB. They are set to 01b (medium), indicating the RTL8139C(L) will assert DEVSELB two clocks after FRAMEB is asserted. |
| 8 | DPD | Data Parity error Detected: This bit sets when the following conditions are met: <ul style="list-style-type: none"> • The RTL8139C(L) asserts parity error(PERRB pin) or it senses the assertion of PERRB pin by another device. • The RTL8139C(L) operates as a bus master for the operation that caused the error. • The Command register PERRSP bit is set. Writing a 1 clears this bit to 0. |
| 7 | FBBC | Fast Back-To-Back Capable: Config3<FbtBEN>=0, Read as 0, write operation has no effect. Config3<FbtBEN>=1, Read as 1. |
| 6 | UDF | User Definable Features Supported: Read as 0, write operation has no effect. The RTL8139C(L) does not support UDF. |
| 5 | 66MHz | 66 MHz Capable: Read as 0, write operation has no effect. The RTL8139C(L) has no 66MHz capability. |
| 4 | NewCap | New Capability: Config3<PMEn>=0, Read as 0, write operation has no effect. Config3<PMEn>=1, Read as 1. |
| 0-3 | - | Reserved |

RID: Revision ID Register

The Revision ID register is an 8-bit register that specifies the RTL8139C(L) controller revision number.

PIFR: Programming Interface Register

The programming interface register is an 8-bit register that identifies the programming interface of the RTL8139C(L) controller. Because the PCI version 2.1 specification does not define any specific value for network devices, PIFR = 00h.

SCR: Sub-Class Register

The Sub-class register is an 8-bit register that identifies the function of the RTL8139C(L). SCR = 00h indicates that the RTL8139C(L) is an Ethernet controller.

BCR: Base-Class Register

The Base-class register is an 8-bit register that broadly classifies the function of the RTL8139C(L). BCR = 02h indicates that the RTL8139C(L) is a network controller.

CLS: Cache Line Size

Reads will return a 0, writes are ignored.

LTR: Latency Timer Register

Specifies, in units of PCI bus clocks, the value of the latency timer of the RTL8139C(L).

When the RTL8139C(L) asserts FRAMEB, it enables its latency timer to count. If the RTL8139C(L) deasserts FRAMEB prior to count expiration, the content of the latency timer is ignored. Otherwise, after the count expires, the RTL8139C(L) initiates transaction termination as soon as its GNTB is deasserted. Software is able to read or write, and the default value is 00H.

HTR: Header Type Register

Reads will return a 0, writes are ignored.

BIST: Built-in Self Test

Reads will return a 0, writes are ignored.

IOAR: This register specifies the BASE IO address which is required to build an address map during configuration. It also specifies the number of bytes required as well as an indication that it can be mapped into IO space.

| Bit | Symbol | Description |
|------|----------|--|
| 31-8 | IOAR31-8 | BASE IO Address: This is set by software to the Base IO address for the operational register map. |
| 7-2 | IOSIZE | Size Indication: Read back as 0. This allows the PCI bridge to determine that the RTL8139C(L) requires 256 bytes of IO space. |
| 1 | - | Reserved |
| 0 | IOIN | IO Space Indicator: Read only. Set to 1 by the RTL8139C(L) to indicate that it is capable of being mapped into IO space. |

MEMAR: This register specifies the base memory address for memory accesses to the RTL8139C(L) operational registers. This register must be initialized prior to accessing any of the RTL8139C(L)'s register with memory access.

| Bit | Symbol | Description |
|------|---------|--|
| 31-8 | MEM31-8 | Base Memory Address: This is set by software to the base address for the operational register map. |
| 7-4 | MEMSIZE | Memory Size: These bits return 0, which indicates that the RTL8139C(L) requires 256 bytes of Memory Space. |
| 3 | MEMPF | Memory Prefetchable: Read only. Set to 0 by the RTL8139C(L). |
| 2-1 | MEMLOC | Memory Location Select: Read only. Set to 0 by the RTL8139C(L). This indicates that the base register is 32-bit wide and can be placed anywhere in the 32-bit memory space. |
| 0 | MEMIN | Memory Space Indicator: Read only. Set to 0 by the RTL8139C(L) to indicate that it is capable of being mapped into memory space. |

CISPtr: CardBus CIS Pointer. This field is valid only when CardB_En (bit3, Config3) = 1. The value of this register is auto-loaded from 93C46 or 93C56 (from offset 30h-31h).

- Bit 2-0: Address Space Indicator

| Bit2-0 | Meaning |
|--------|--|
| 0 | Not supported. (CIS begins in device-dependent configuration space.) |
| 1-6 | The CIS begins in the memory address governed by one of the six Base Address Registers. Ex., if the value is 2, then the CIS begins in the memory address space governed by Base Address Register 2. |
| 7 | The CIS begins in the Expansion ROM space. |

- Bit27-3: Address Space Offset

- Bit31-28: ROM Image number

| Bit2-0 | Space Type | Address Space Offset Values |
|----------|---------------------|--|
| 0 | Configuration space | Not supported. |
| X; 1≤X≤6 | Memory space | 0h≤value≤FFFF FFF8h. This is the offset into the memory address space governed by Base Address Register X. Adding this value to the value in the Base Address Register gives the location of the start of the CIS. For RTL8139C(L), the value is 100h. |
| 7 | Expansion ROM | 0≤image number≤Fh, 0h≤value≤0FFF FFF8h. This is the offset into the expansion ROM address space governed by the Expansion ROM Base Register. The image number is in the uppermost nibble of the CISPtr register. The value consists of the remaining bytes. For RTL8139C(L), the image number is 0h. |

This read-only register points to where the CIS begins, in one of the following spaces:

- i. Memory space --- The CIS may be in any of the memory spaces from offset 100h and up after being auto-loaded from 93C56. The CIS is stored in 93C56 EEPROM physically from offset 80h-FFh.
- ii. Expansion ROM space --- The CIS is stored in expansion ROM physically within the 128KB max.

SVID: Subsystem Vendor ID. This field will be set to a value corresponding to the PCI Subsystem Vendor ID in the external EEPROM. If there is no EEPROM, this field will default to a value of 11ECh which is Realtek Semiconductor's PCI Subsystem Vendor ID.

SMID: Subsystem ID. This field will be set to a value corresponding to the PCI Subsystem ID in the external EEPROM. If there is no EEPROM, this field will default to a value of 8129h.

BMAR: This register specifies the base memory address for memory accesses to the RTL8139C(L) operational registers. This register must be initialized prior to accessing any of the RTL8139C(L)'s registers with memory access.

| Bit | Symbol | Description | | | | | | | | | | | | | | | | | | | | | | | | | | | | | | | | | | | | |
|-------|-----------|--|--|-----|-----|-------------|---|---|---|---------------------------|---|---|---|---|---|---|---|--|---|---|---|--|---|---|---|--|---|---|---|---|---|---|---|--------|---|---|---|--------|
| 31-18 | BMAR31-18 | Boot ROM Base Address | | | | | | | | | | | | | | | | | | | | | | | | | | | | | | | | | | | | |
| 17-11 | ROMSIZE | <p>These bits indicate how many Boot ROM spaces to be supported. The Relationship between Config 0 <BS2:0> and BMAR17-11 is the following:</p> <table border="1"> <thead> <tr> <th>BS2</th> <th>BS1</th> <th>BS0</th> <th>Description</th> </tr> </thead> <tbody> <tr> <td>0</td> <td>0</td> <td>0</td> <td>No Boot ROM, BROMEN=0 (R)</td> </tr> <tr> <td>0</td> <td>0</td> <td>1</td> <td>8K Boot ROM, BROMEN (R/W), BMAR12-11 = 0 (R), BMAR17-13 (R/W)</td> </tr> <tr> <td>0</td> <td>1</td> <td>0</td> <td>16K Boot ROM, BROMEN (R/W), BMAR13-11 = 0 (R), BMAR17-14 (R/W)</td> </tr> <tr> <td>0</td> <td>1</td> <td>1</td> <td>32K Boot ROM, BROMEN (R/W), BMAR14-11 = 0 (R), BMAR17-15 (R/W)</td> </tr> <tr> <td>1</td> <td>0</td> <td>0</td> <td>64K Boot ROM, BROMEN (R/W), BMAR15-11 = 0 (R), BMAR17-16 (R/W)</td> </tr> <tr> <td>1</td> <td>0</td> <td>1</td> <td>128K Boot ROM, BROMEN(R/W), BMAR16-11=0 (R), BMAR17 (R/W)</td> </tr> <tr> <td>1</td> <td>1</td> <td>0</td> <td>unused</td> </tr> <tr> <td>1</td> <td>1</td> <td>1</td> <td>unused</td> </tr> </tbody> </table> | BS2 | BS1 | BS0 | Description | 0 | 0 | 0 | No Boot ROM, BROMEN=0 (R) | 0 | 0 | 1 | 8K Boot ROM, BROMEN (R/W), BMAR12-11 = 0 (R), BMAR17-13 (R/W) | 0 | 1 | 0 | 16K Boot ROM, BROMEN (R/W), BMAR13-11 = 0 (R), BMAR17-14 (R/W) | 0 | 1 | 1 | 32K Boot ROM, BROMEN (R/W), BMAR14-11 = 0 (R), BMAR17-15 (R/W) | 1 | 0 | 0 | 64K Boot ROM, BROMEN (R/W), BMAR15-11 = 0 (R), BMAR17-16 (R/W) | 1 | 0 | 1 | 128K Boot ROM, BROMEN(R/W), BMAR16-11=0 (R), BMAR17 (R/W) | 1 | 1 | 0 | unused | 1 | 1 | 1 | unused |
| BS2 | BS1 | BS0 | Description | | | | | | | | | | | | | | | | | | | | | | | | | | | | | | | | | | | |
| 0 | 0 | 0 | No Boot ROM, BROMEN=0 (R) | | | | | | | | | | | | | | | | | | | | | | | | | | | | | | | | | | | |
| 0 | 0 | 1 | 8K Boot ROM, BROMEN (R/W), BMAR12-11 = 0 (R), BMAR17-13 (R/W) | | | | | | | | | | | | | | | | | | | | | | | | | | | | | | | | | | | |
| 0 | 1 | 0 | 16K Boot ROM, BROMEN (R/W), BMAR13-11 = 0 (R), BMAR17-14 (R/W) | | | | | | | | | | | | | | | | | | | | | | | | | | | | | | | | | | | |
| 0 | 1 | 1 | 32K Boot ROM, BROMEN (R/W), BMAR14-11 = 0 (R), BMAR17-15 (R/W) | | | | | | | | | | | | | | | | | | | | | | | | | | | | | | | | | | | |
| 1 | 0 | 0 | 64K Boot ROM, BROMEN (R/W), BMAR15-11 = 0 (R), BMAR17-16 (R/W) | | | | | | | | | | | | | | | | | | | | | | | | | | | | | | | | | | | |
| 1 | 0 | 1 | 128K Boot ROM, BROMEN(R/W), BMAR16-11=0 (R), BMAR17 (R/W) | | | | | | | | | | | | | | | | | | | | | | | | | | | | | | | | | | | |
| 1 | 1 | 0 | unused | | | | | | | | | | | | | | | | | | | | | | | | | | | | | | | | | | | |
| 1 | 1 | 1 | unused | | | | | | | | | | | | | | | | | | | | | | | | | | | | | | | | | | | |
| 10-1 | - | Reserved (read back 0) | | | | | | | | | | | | | | | | | | | | | | | | | | | | | | | | | | | | |
| 0 | BROMEN | Boot ROM Enable: This is used by the PCI BIOS to enable accesses to Boot ROM. | | | | | | | | | | | | | | | | | | | | | | | | | | | | | | | | | | | | |

ILR: Interrupt Line Register

The Interrupt Line Register is an 8-bit register used to communicate with the routing of the interrupt. It is written by the POST software to set interrupt line for the RTL8139C(L).

IPR: Interrupt Pin Register

The Interrupt Pin register is an 8-bit register indicating the interrupt pin used by the RTL8139C(L). The RTL8139C(L) uses INTA interrupt pin. Read only. IPR = 01H.

MNGNT: Minimum Grant Timer: Read only

Specifies how long a burst period the RTL8139C(L) needs at 33 MHz clock rate in units of 1/4 microsecond. This field will be set to a value from the external EEPROM. If there is no EEPROM, this field will default to a value of 20h.

MXLAT: Maximum Latency Timer: Read only

Specifies how often the RTL8139C(L) needs to gain access to the PCI bus in units of 1/4 microseconds. This field will be set to a value from the external EEPROM. If there is no EEPROM, this field will default to a value of 20h.

8.3 Default Values After Power-on (RSTB asserted)

PCI Configuration Space Table

| No. | Name | Type | Bit7 | Bit6 | Bit5 | Bit4 | Bit3 | Bit2 | Bit1 | Bit0 |
|-----------------|-------------|-----------------|-------|--------|-------|--------|-------|------|-------|--------|
| 00h | VID | R | 1 | 1 | 1 | 0 | 1 | 1 | 0 | 0 |
| 01h | | R | 0 | 0 | 0 | 1 | 0 | 0 | 0 | 0 |
| 02h | DID | R | 0 | 0 | 1 | 0 | 1 | 0 | 0 | 1 |
| 03h | | R | 1 | 0 | 0 | 0 | 0 | 0 | 0 | 1 |
| 04h | Command | R | 0 | 0 | 0 | 0 | 0 | 0 | 0 | 0 |
| | | W | - | PERRSP | - | - | - | BMEN | MEMEN | IOEN |
| 05h | | R | 0 | 0 | 0 | 0 | 0 | 0 | 0 | 0 |
| | | W | - | - | - | - | - | - | - | SERREN |
| 06h | Status | R | 0 | 0 | 0 | NewCap | 0 | 0 | 0 | 0 |
| 07h | | R | 0 | 0 | 0 | 0 | 0 | 0 | 1 | 0 |
| | | W | DPERR | SSERR | RMABT | RTABT | STABT | - | - | DPD |
| 08h | Revision ID | R | 0 | 0 | 0 | 0 | 0 | 0 | 0 | 0 |
| 09h | PIFR | R | 0 | 0 | 0 | 0 | 0 | 0 | 0 | 0 |
| 0Ah | SCR | R | 0 | 0 | 0 | 0 | 0 | 0 | 0 | 0 |
| 0Bh | BCR | R | 0 | 0 | 0 | 0 | 0 | 0 | 1 | 0 |
| 0Ch | CLS | R | 0 | 0 | 0 | 0 | 0 | 0 | 0 | 0 |
| 0Dh | LTR | R | 0 | 0 | 0 | 0 | 0 | 0 | 0 | 0 |
| | | W | LTR7 | LTR6 | LTR5 | LTR4 | LTR3 | LTP2 | LTR1 | LTR0 |
| 0Eh | HTR | R | 0 | 0 | 0 | 0 | 0 | 0 | 0 | 0 |
| 0Fh | BIST | R | 0 | 0 | 0 | 0 | 0 | 0 | 0 | 0 |
| 10h | IOAR | R | 0 | 0 | 0 | 0 | 0 | 0 | 0 | 1 |
| 11h | | R/W | 0 | 0 | 0 | 0 | 0 | 0 | 0 | 0 |
| 12h | | R/W | 0 | 0 | 0 | 0 | 0 | 0 | 0 | 0 |
| 13h | | R/W | 0 | 0 | 0 | 0 | 0 | 0 | 0 | 0 |
| 14h | MEMAR | R | 0 | 0 | 0 | 0 | 0 | 0 | 0 | 0 |
| 15h | | R/W | 0 | 0 | 0 | 0 | 0 | 0 | 0 | 0 |
| 16h | | R/W | 0 | 0 | 0 | 0 | 0 | 0 | 0 | 0 |
| 17h | | R/W | 0 | 0 | 0 | 0 | 0 | 0 | 0 | 0 |
| 18h 27h | - | RESERVED(ALL 0) | | | | | | | | |
| 28h | CISPTr | R | 0 | 0 | 0 | 0 | 0 | 0 | 0 | 0 |
| 29h | | R | 0 | 0 | 0 | 0 | 0 | 0 | 0 | 0 |

| | | | | | | | | | | |
|-----------------|---------|-----------------|--------|--------|--------|--------|--------|------|------|------|
| 2Ah | | R | 0 | 0 | 0 | 0 | 0 | 0 | 0 | 0 |
| 2Bh | | R | 0 | 0 | 0 | 0 | 0 | 0 | 0 | 0 |
| 2Ch | SVID | R | 1 | 1 | 1 | 0 | 1 | 1 | 0 | 0 |
| 2Dh | | R | 0 | 0 | 0 | 1 | 0 | 0 | 0 | 1 |
| 2Eh | SMID | R | 0 | 0 | 1 | 0 | 1 | 0 | 0 | 1 |
| 2Fh | | R | 1 | 0 | 0 | 0 | 0 | 0 | 0 | 1 |
| 30h | BMAR | R | 0 | 0 | 0 | 0 | 0 | 0 | 0 | 0 |
| | | W | - | - | - | - | - | - | - | - |
| 31h | | R | 0 | 0 | 0 | 0 | 0 | 0 | 0 | 0 |
| | | W | BMAR15 | BMAR14 | BMAR13 | BMAR12 | BMAR11 | - | - | - |
| 32h | | R/W | 0 | 0 | 0 | 0 | 0 | 0 | 0 | 0 |
| 33h | | R/W | 0 | 0 | 0 | 0 | 0 | 0 | 0 | 0 |
| 34h | Cap-Ptr | R | Ptr7 | Ptr6 | Ptr5 | Ptr4 | Ptr3 | Ptr2 | Ptr1 | Ptr0 |
| 35h 3Bh | - | RESERVED(ALL 0) | | | | | | | | |
| 3Ch | ILR | R/W | 0 | 0 | 0 | 0 | 0 | 0 | 0 | 0 |
| 3Dh | IPR | R | 0 | 0 | 0 | 0 | 0 | 0 | 0 | 1 |
| 3Eh | MNGNT | R | 0 | 0 | 1 | 0 | 0 | 0 | 0 | 0 |
| 3Fh | MXLAT | R | 0 | 0 | 1 | 0 | 0 | 0 | 0 | 0 |
| 40h FFh | - | RESERVED(ALL 0) | | | | | | | | |

8.4 PCI Power Management Functions

The RTL8139C(L) is compliant to ACPI (Rev 1.0, 1.0b, 2.0), PCI Power Management (Rev 1.1), and Network Device Class Power Management Reference Specification (V1.0, 1.0a, 2.0), such as to support OS Directed Power Management (OSPM) environment. To support this, the RTL8139C(L) provides the following capabilities:

- The RTL8139C(L) can monitor the network for a Wakeup Frame, a Magic Packet, or a Link Change, and notify the system via PME# when such a packet or event arrives. Then, the whole system can be restored to a working state to process the incoming jobs.
- The RTL8139C(L) can be isolated from the PCI bus automatically with the auxiliary power circuit when the PCI bus is in B3 state, i.e. when the power on the PCI bus is removed. When the motherboard includes a built-in RTL8139C(L) single-chip fast Ethernet controller, the RTL8139C(L) can be disabled when needed by pulling the isolate pin low to 0V.

When the RTL8139C(L) is in power down mode (D1 ~ D3):

- ◆ The Rx state machine is stopped, and the RTL8139C(L) keeps monitoring the network for wakeup events such as Magic Packet, Wakeup Frame, and/or Link Change, in order to wake up the system. When in power down mode, the RTL8139C(L) will not reflect the status of any incoming packets in the ISR register and will not receive any packets into the Rx FIFO.
- ◆ The FIFO status and the packets which are already contained in the Rx FIFO before entering power down mode are kept by the RTL8139C(L) during power down mode.
- ◆ The transmission is stopped. The action of PCI bus master mode is stopped, as well. The Tx FIFO is kept.
- ◆ After restoration to a D0 state, the PCI bus master mode continues to transfer the data, which is not yet moved into the Tx FIFO from the last break. The packet that was not transmitted completely last time is transmitted again.

D3cold_support_PME bit(bit15, PMC register) & Aux_I_b2:0 (bit8:6, PMC register) in PCI configuration space.

If 9346 D3cold_support_PME bit(bit15, PMC) = 1, the above 4 bits depend on the existence of Aux. power.

If 9346 D3cold_support_PME bit(bit15, PMC) = 0, the above 4 bits are all 0's.

Examples:

1. If 9346 D3c_support_PME = 1,
 - If Aux. power exists, then PMC in PCI config space is the same as 9346 PMC, i.e. if 9346 PMC = C2 F7,

- then PCI PMC = C2 F7.
- If Aux. power is absent, then PMC in PCI config space is the same as 9346 PMC except the above 4 bits are all 0's. I.e. if 9346 PMC = C2 F7, the PCI PMC = 02 76.
 - * In this case, if wakeup support is desired when the main power is off, it is suggested that the 9346 PMC be set to: C2 F7 (RT 9346 default value). It is not recommended to set the D0_support_PME bit to "1".
 - 2. If 9346 D3c_support_PME = 0,
 - If Aux. power exists, then PMC in PCI config space is the same as 9346 PMC. I.e. if 9346 PMC = C2 77, then PCI PMC = C2 77.
 - If Aux. power is absent, then PMC in PCI config space is the same as 9346 PMC except the above 4 bits are all 0's. I.e. if 9346 PMC = C2 77, the PCI PMC = 02 76.
 - * In this case, if wakeup support is not desired when the main power is off, it is suggested that the 9346 PMC to be 02 76. It is not recommended to set the D0_support_PME bit to "1".

A Link Wakeup occurs only when the following conditions are met:

- ◆ The LinkUp bit (CONFIG3#4) is set to 1, the PMEn bit (CONFIG1#0) is set to 1, and the RTL8139C(L) is in an isolation state, or the PME# can be asserted in current power state.
- ◆ The Link status is re-established.

A Magic Packet Wakeup occurs only when the following conditions are met:

- ◆ The destination address of the received Magic Packet matches.
- ◆ The received Magic Packet does not contain a CRC error.
- ◆ The Magic bit (CONFIG3#5) is set to 1, the PMEn bit (CONFIG1#0) is set to 1, and the RTL8139C(L) is in isolation state, or the PME# can be asserted in current power state.
- ◆ The Magic Packet pattern matches, i.e. 6 * FFh + MISC(can be none)+ 16 * DID(Destination ID) in any part of a valid (Fast) Ethernet packet.

A Wakeup Frame event occurs only when the following conditions are met:

- ◆ The destination address of the received Wakeup Frame matches.
- ◆ The received Wakeup Frame does not contain a CRC error.
- ◆ The PMEn bit (CONFIG1#0) is set to 1.
- ◆ The 8-bit CRC* (or 16-bit CRC) of the received Wakeup Frame matches with the 8-bit CRC* (or 16-bit CRC) of the sample Wakeup Frame pattern received from the local machine's OS.
- ◆ The *last masked byte*** of the received Wakeup Frame matches with the last masked byte of the sample Wakeup Frame pattern provided by the local machine's OS. (In Long Wakeup Frame mode, the last masked byte field is replaced with the high byte of the 16-bit CRC.)

*** 8-bit CRC:**

This 8-bit CRC logic is used to generate an 8-bit CRC from the masked bytes of the received Wakeup Frame packet within offset 12 to 75. Software should calculate the 8-bit Power Management CRC for each specific sample wakeup frame and store the calculated CRC in the corresponding CRC register for the RTL8139C(L) to check if there is a Wakeup Frame packet coming in.

*** 16-bit CRC: (Long Wakeup Frame mode, the mask bytes cover from offset 0 to 127):**

Long Wakeup Frame: The RTL8139C(L) also supports 3 long Wakeup Frames. If the range of the mask bytes of the sample Wakeup Frame, passed down by the OS to the driver, exceeds the range from offset 12 to 75, the related registers of wakeup frames 2 and 3 can be merged to support one long wakeup frame by setting the LongWF (bit0, CONFIG4). Thus, the range of effective mask bytes extends from offset 0 to 127. The low byte and high byte of the calculated 16-bit CRC should be put into register CRC2 and LSB CRC2 respectively. The mask bytes (16 bytes) should be stored to register Wakeup2 and Wakeup3. The CRC3 and LSB CRC3 have no meaning in this case and should be reset to 0. The long Wakeup Frame pairs are wakeup frames 4 and 5, wakeup frames 6 and 7. The CRC5, CRC7, LSB CRC5, and LSB CRC7 have no meaning in this case and should be reset to 0, if the RTL8139C(L) is set to support long Wakeup Frames. In this case, the RTL8139C(L) supports 5 wakeup frames, that are 2 normal wakeup frames and 3 long wakeup frames.

**** last masked byte:**

The last byte of the masked bytes of the received Wakeup Frame packet within offset 12 to 75 (in 8-bit CRC mode) should match the last byte of the masked bytes of the sample Wakeup Frame provided by the local machine's OS.

The PME# signal is asserted only when the following conditions are met:

- ◆ The PMEn bit (bit0, CONFIG1) is set to 1.
- ◆ The PME_En bit (bit8, PMCSR) in PCI Configuration Space is set to 1.
- ◆ The RTL8139C(L) may assert PME# in current power state, or the RTL8139C(L) is in isolation state. Refer to PME_Support(bit15-11) of the PMC register in PCI Configuration Space.
- ◆ Magic Packet, LinkUp, or Wakeup Frame has occurred.

Note: Writing a 1 to the PME_Status (bit15) of the PMCSR register in the PCI Configuration Space will clear this bit and cause the RTL8139C(L) to stop asserting a PME# (if enabled).

When the RTL8139C(L) is in power down mode, ex. D1-D3, the IO, MEM, and Boot ROM space are all disabled. After RST# is asserted, the power state must be changed to D0 if the original power state is D3_{cold}. There is no hardware enforced delays at RTL8139C(L)'s power state. When in ACPI mode, the RTL8139C(L) does not support PME from D0, due to the setting of the PMC register. This setting comes from EEPROM.

The RTL8139C(L) also supports the LAN WAKE-UP function. The LWAKE pin is used to notify the motherboard to execute the wake-up process whenever the RTL8139C(L) receives a wakeup event, such as Magic Packet.

The LWAKE signal is asserted according the following setting.

- ◆ LWPME bit (bit4, CONFIG4):
 - 0: The LWAKE is asserted whenever there is wakeup event occurs.
 - 1: The LWAKE can only be asserted when the PMEB is asserted and the ISOLATEB is low.
- ◆ Bit1 of DELAY byte(offset 1Fh, EEPROM):
 - 0: LWAKE signal is disabled.
 - 1: LWAKE signal is enabled

8.5 Vital Product Data (VPD)

Bit 31 of the VPD is used to issue the VPD read/write command and is also a flag used to indicate if the transfer of data between the VPD data register and the 93C46/93C56 has been completed or not.

1. Write VPD register: (write data to 93C46/93C56) Write the flag bit to a one at the same time the VPD address is written. When the flag bit is set to zero by the RTL8139C(L), the VPD data (all 4 bytes) has been transferred from the VPD data register to 93C46/93C56.
2. Read VPD register: (read data from 93C46/93C56) Write the flag bit to a zero at the same time the VPD address is written. When the flag bit is set to one by the RTL8139C(L), the VPD data (all 4 bytes) has been transferred from the 93C46/93C56 to the VPD data register.

9. Functional Description

9.1 Transmit Operation

The host CPU initiates a transmit by storing an entire packet of data in one of the descriptors in the main memory. When the entire packet has been transferred to the Tx buffer, the RTL8139C(L) is instructed to move the data from the Tx buffer to the internal transmit FIFO in PCI bus master mode. When the transmit FIFO contains a complete packet or is filled to the programmed threshold level, the RTL8139C(L) begins packet transmission.

9.2 Receive Operation

The incoming packet is placed in the RTL8139C(L)'s Rx FIFO. Concurrently, the RTL8139C(L) performs address filtering of multicast packets according to its hash algorithms. When the amount of data in the Rx FIFO reaches the level defined in the Receive Configuration Register, the RTL8139C(L) requests the PCI bus to begin transferring the data to the Rx buffer in PCI bus master mode.

9.3 Line Quality Monitor

The line quality monitor function is available in 100Base-TX mode. It is possible to determine the amount of Equalization being used by accessing certain test registers with the DSP engine. This provides a crude indication of connected cable length. This function allows for a quick and simple verification of the line quality in that any significant deviation from an expected register value (based on a known cable length) would indicate that the signal quality has deviated from the expected nominal case.

9.4 Clock Recovery Module

The Clock Recovery Module (CRM) is supported in both 10Base-T and 100Base-TX mode. The CRM accepts 125Mb/s MLT3 data from the equalizer. The DPLL locks onto the 125Mb/s data stream and extracts a 125MHz recovered clock. The extracted and synchronized clock and data are used as required by the synchronous receive operations.

9.5 Loopback Operation

Loopback mode is normally used to verify that the logic operations up to the Ethernet cable function correctly. In loopback mode for 100Mbps, the RTL8139C(L) takes frames from the transmit descriptor and transmits them up to internal Twister logic.

9.6 Tx Encapsulation

While operating in 100Base-TX mode, the RTL8139C(L) encapsulates the frames that it transmits according to the 4B/5B code-groups table. The changes of the original packet data are listed as follows:

1. The first byte of the preamble in the MAC frame is replaced with the JK symbol pair.
2. After the CRC, the TR symbol pair is inserted.

9.7 Collision

If the RTL8139C(L) is not in full-duplex mode, a collision event occurs when the receive input is not idle while the RTL8139C(L) transmits. If the collision was detected during the preamble transmission, the jam pattern is transmitted after completing the preamble (including the JK symbol pair).

9.8 Rx Decapsulation

The RTL8139C(L) continuously monitors the network when reception is enabled. When activity is recognized it starts to process the incoming data.

After detecting receive activity on the line, the RTL8139C(L) starts to process the preamble bytes based on the mode of operation.

While operating in 100Base-TX mode, the RTL8139C(L) expects the frame to start with the symbol pair JK in the first byte of the 8-byte preamble.

The RTL8139C(L) checks the CRC bytes and checks if the packet data ends with the TR symbol pair, if not, the RTL8139C(L) reports a CRC error RSR.

The RTL8139C(L) reports a RSR<CRC> error in the following case:

In 100Base-TX mode, one of the following occur.

- a. An invalid symbol (4B/5B Table) is received in the middle of the frame.
The RSR<ISE> bit also sets.
- b. The frame does not end with the TR symbol pair.

9.9 Flow Control

The RTL8139C(L) supports IEEE802.3X flow control to improve performance in full-duplex mode. It detects PAUSE packets to achieve flow control tasks.

9.9.1. Control Frame Transmission

When the RTL8139C(L) detects that its free receive buffer is less than 3K bytes, it sends a **PAUSE packet with pause_time(=FFFFh)** to inform the source station to stop transmission for the specified period of time. After the driver has processed the packets in the receive buffer and updated the boundary pointer, the RTL8139C(L) sends the other **PAUSE packet with pause_time(=0000h)** to wake up the source station to restart transmission.

9.9.2. Control Frame Reception

The RTL8139C(L) enters a back off state for a specified period of time when it receives a valid **PAUSE packet with pause_time(=n)**. If the PAUSE packet is received while the RTL8139C(L) is transmitting, the RTL8139C(L) starts to back off after current transmission completes. The RTL8139C(L) is free to transmit the next packets when it receives a valid **PAUSE packet with pause_time(=0000h)** or the **backoff timer(=n*512 bit time)** elapses.

Note: The PAUSE operation cannot be used to inhibit transmission of MAC Control frames (e.g. a PAUSE packet). The N-way flow control capability can be disabled. Please refer to Section 7, "EEPROM (93C46 or 93C56) Contents" for a detailed description.

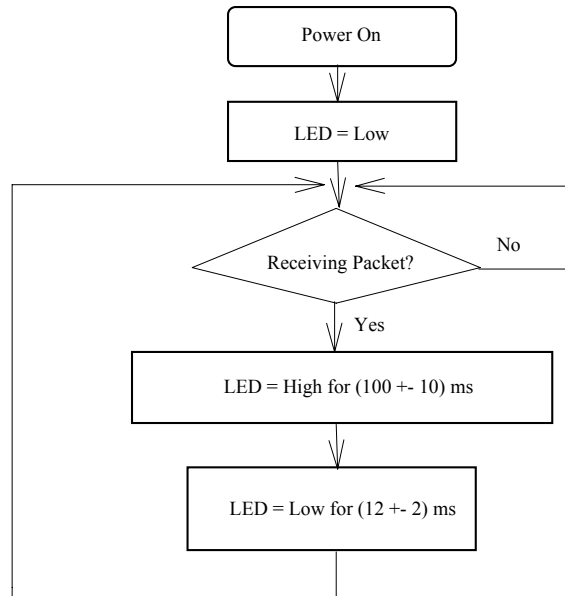
9.10 LED Functions

9.10.1 10/100 Mbps Link Monitor

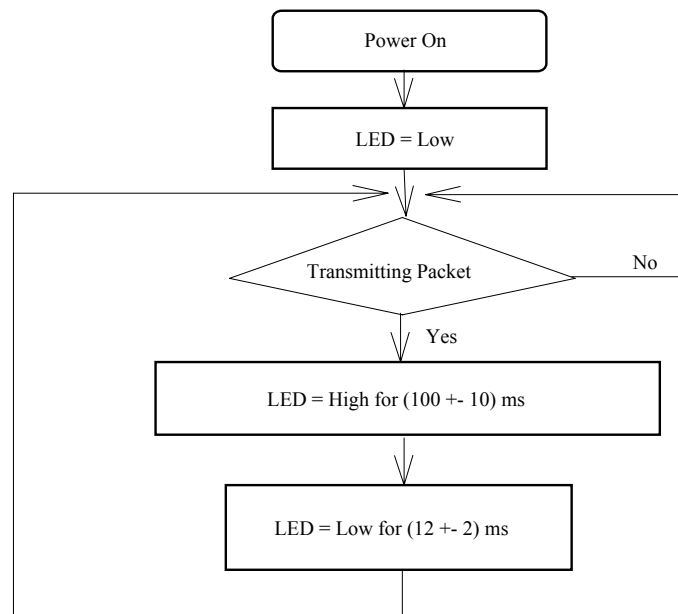
The Link Monitor senses the link integrity or if a station is down.

9.10.2 LED_RX

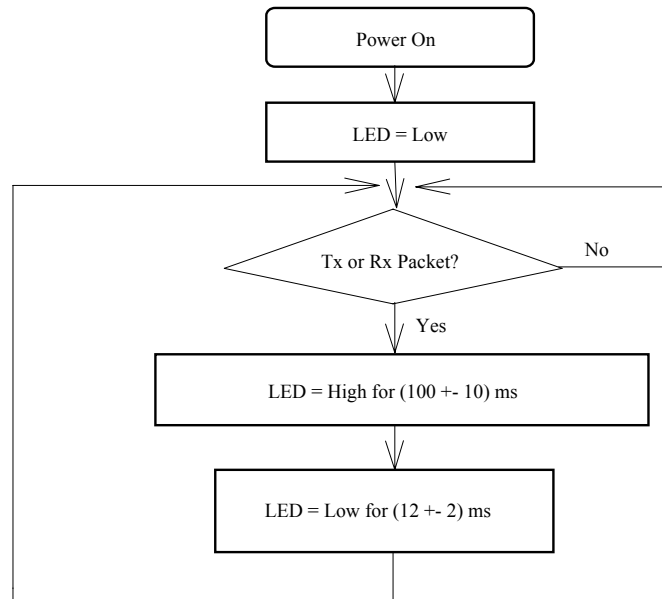
In 10/100 Mbps mode, the LED function is like the RTL8129.



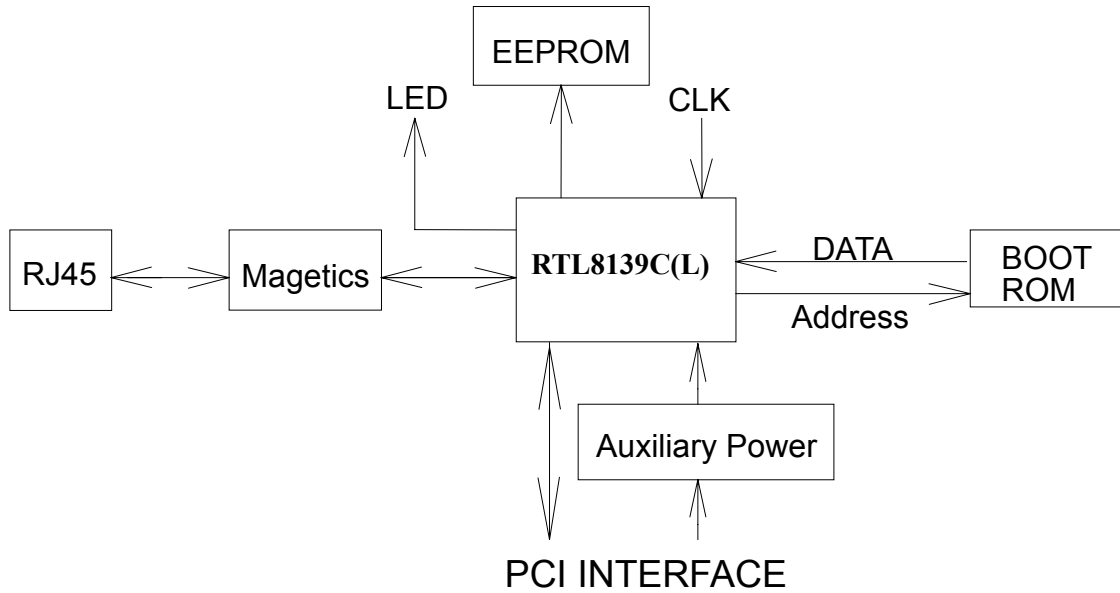
9.10.3 LED_TX



9.10.4 LED_TX+LED_RX



10. Application Diagram



11. Electrical Characteristics

11.1 Temperature Limit Ratings

| Parameter | Minimum | Maximum | Units |
|-----------------------|---------|---------|-------|
| Storage temperature | -55 | +125 | °C |
| Operating temperature | 0 | 70 | °C |

11.2 DC Characteristics

11.2.1 Supply Voltage

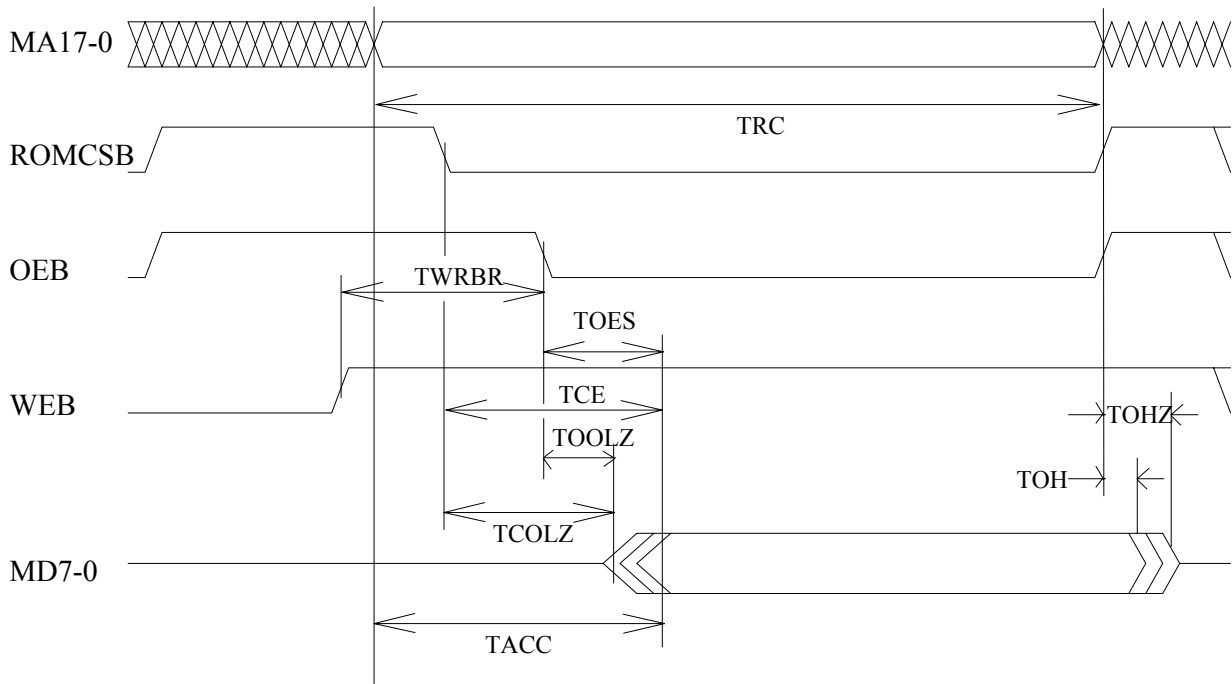
Vcc = 3.0V min. to 3.6V max.

| Symbol | Parameter | Conditions | Minimum | Maximum | Units |
|-----------------|-----------------------------------|--|-----------|-----------|-------|
| V _{OH} | Minimum High Level Output Voltage | I _{OH} = -8mA | 0.9 * Vcc | Vcc | V |
| V _{OL} | Maximum Low Level Output Voltage | I _{OL} = 8mA | | 0.1 * Vcc | V |
| V _{IH} | Minimum High Level Input Voltage | | 0.5 * Vcc | Vcc+0.5 | V |
| V _{IL} | Maximum Low Level Input Voltage | | -0.5 | 0.3 * Vcc | V |
| I _{IN} | Input Current | V _{IN} =V _{CC} or GND | -1.0 | 1.0 | uA |
| I _{OZ} | Tri-State Output Leakage Current | V _{OUT} =V _{CC} or GND | -10 | 10 | uA |
| I _{CC} | Average Operating Supply Current | I _{OUT} =0mA, | | 150 | mA |

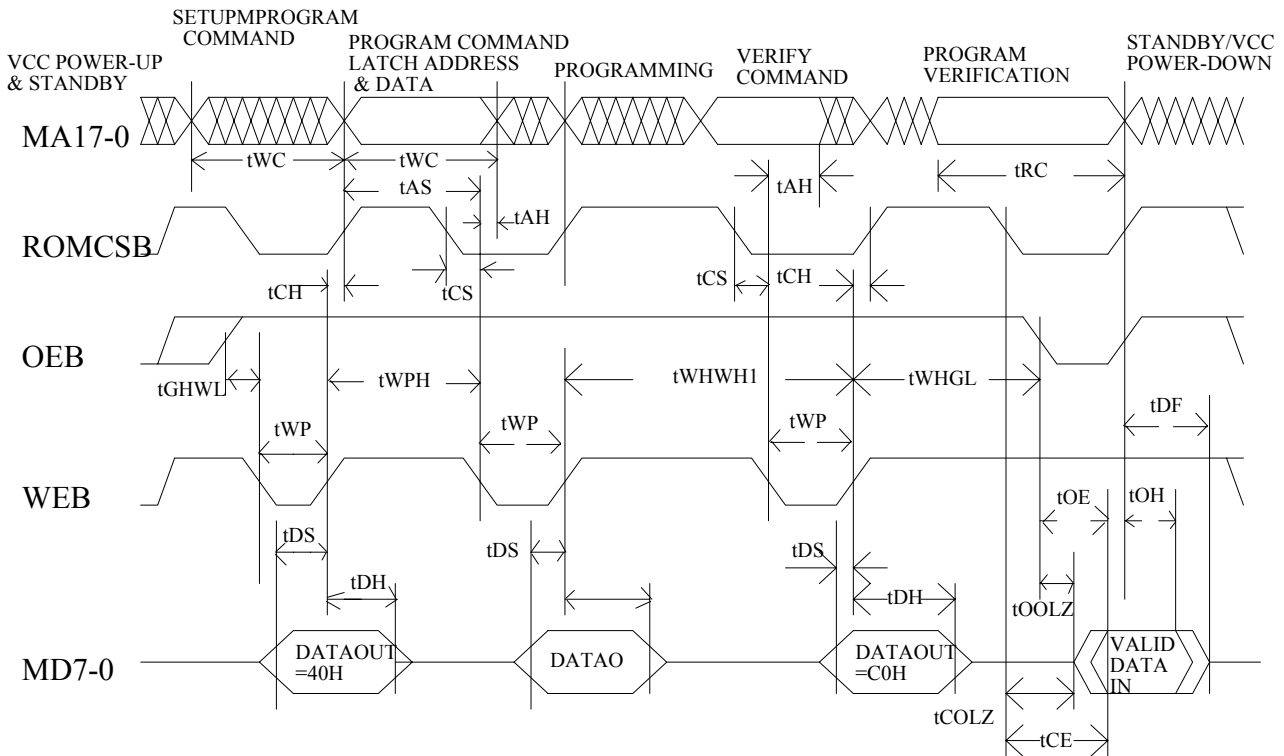
11.3 AC Characteristics

11.3.1 FLASH/BOOT ROM Timing

FLASH/BOOT ROM - Read

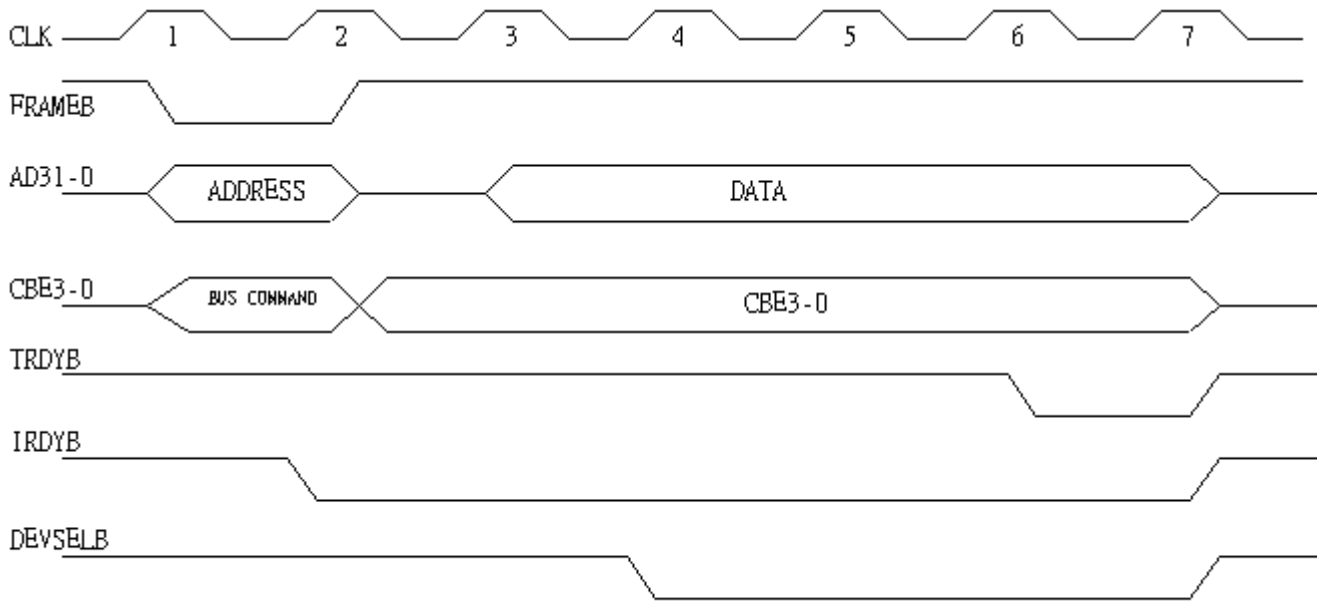


| Symbol | Description | Minimum | Typical | Maximum | Units |
|--------|--|---------|---------|---------|-------|
| TRC | Read Cycle | 135 | - | - | ns |
| TCE | Chip Enable Access Time | - | - | 200 | ns |
| TACC | Address Access Time | - | - | 200 | ns |
| TOES | Output Enable Access Time | - | - | 60 | ns |
| TCOLZ | Chip Enable to Output in Low Z | 0 | - | - | ns |
| TOOLZ | Output Enable to Output in Low Z | 0 | - | - | ns |
| TOHZ | Output Disable to Output in High Z | - | - | 40 | ns |
| TOH | Output Hold from Address, ROMCSB, or OEB | 0 | - | 0 | ns |
| TWRBR | Write Recovery time Before Read | 6 | - | - | us |

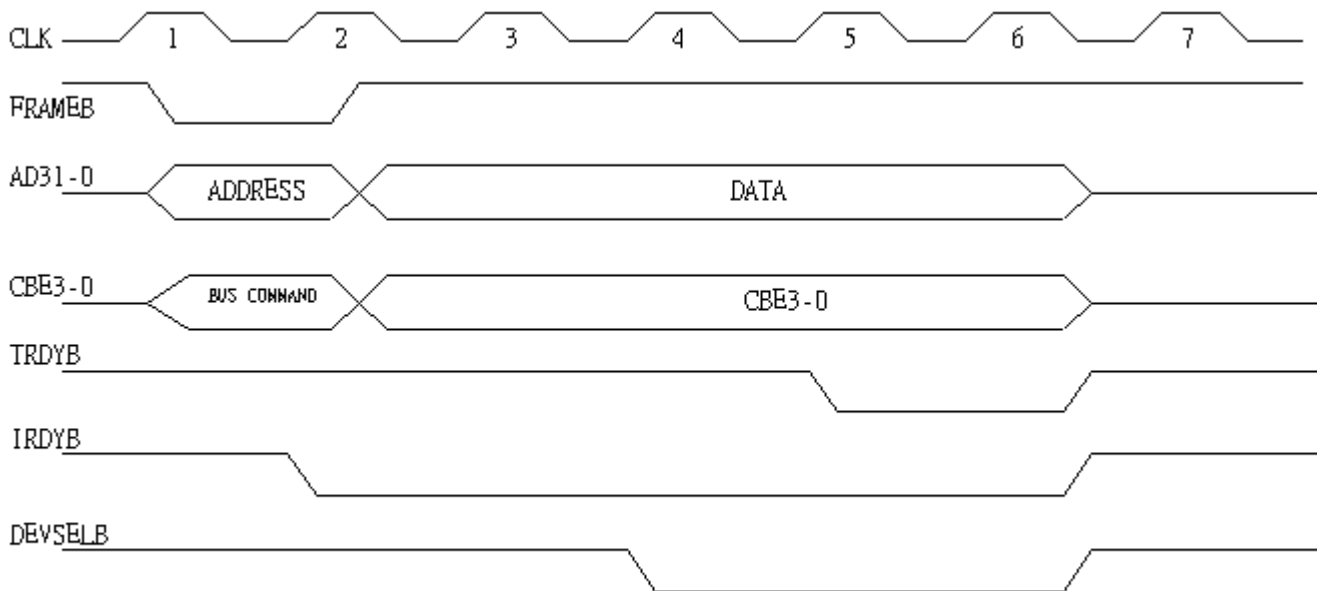
FLASH MEMORY - Write


| Symbol | Description | Minimum | Typical | Maximum | Units |
|--------|--------------------------------------|---------|---------|---------|-------|
| TWC | Write Cycle Time | 135 | - | - | ns |
| TAS | Address Set-up Time | 0 | - | - | ns |
| TAH | Address Hold Time | 60 | - | - | ns |
| TDS | Data Set-up Time | 50 | - | - | ns |
| TDH | Data Hold Time | 10 | - | - | ns |
| TWHGL | Write Recovery Time before Read | 6 | - | - | us |
| TGHWL | Read Recovery Time before Write | 0 | - | - | us |
| TCS | Chip Enable Set-up Time before Write | 20 | - | - | ns |
| TCH | Chip Enable Hold Time | 0 | - | - | us |
| TWP | Write Pulse Width | 50 | - | - | ns |
| TWPH | Write Pulse Width High | 20 | - | - | ns |
| TWHWH1 | Duration of Programming Operation | 10 | - | 25 | us |

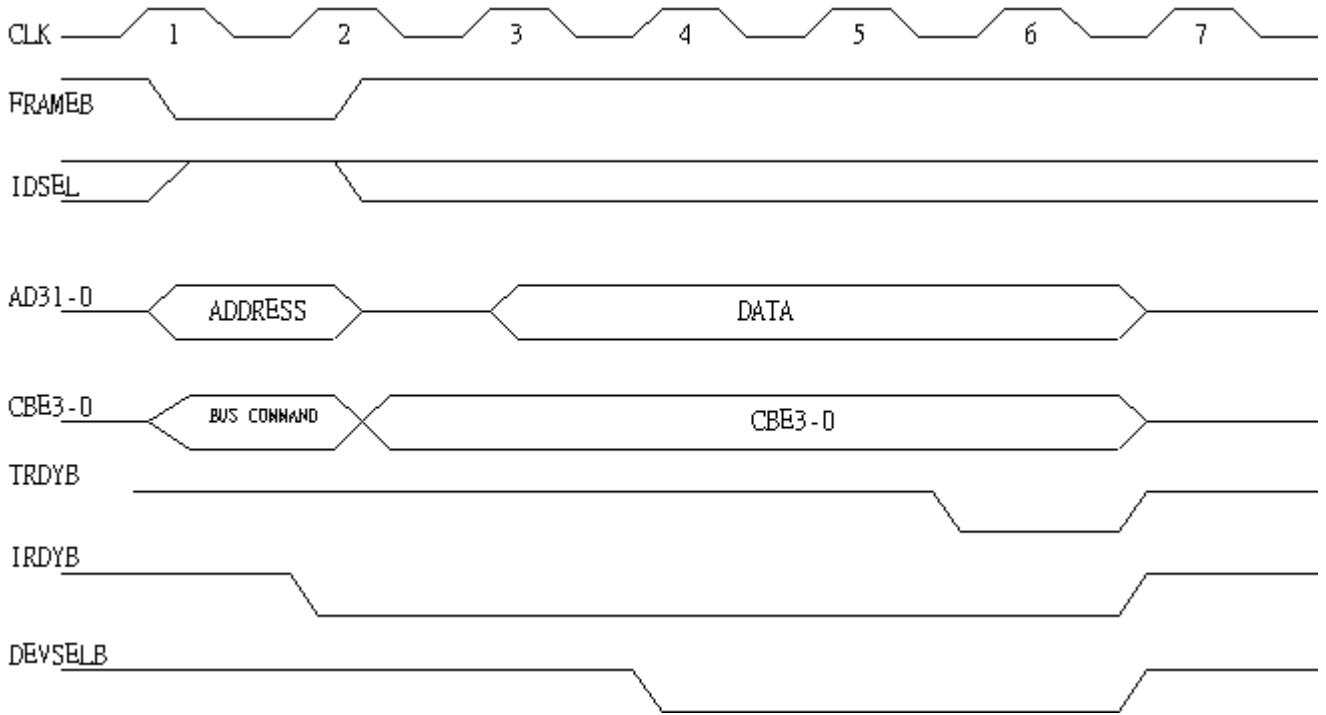
11.3.2 PCI Bus Operation Timing:



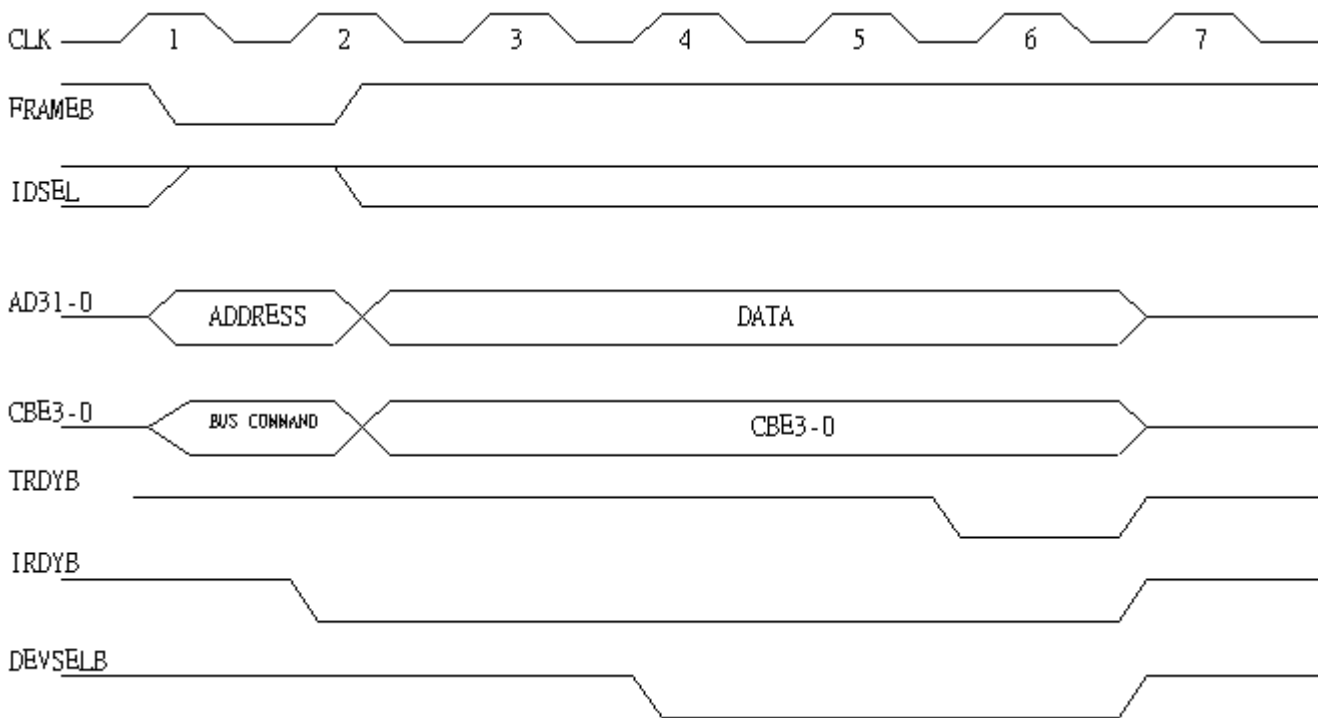
Target Read



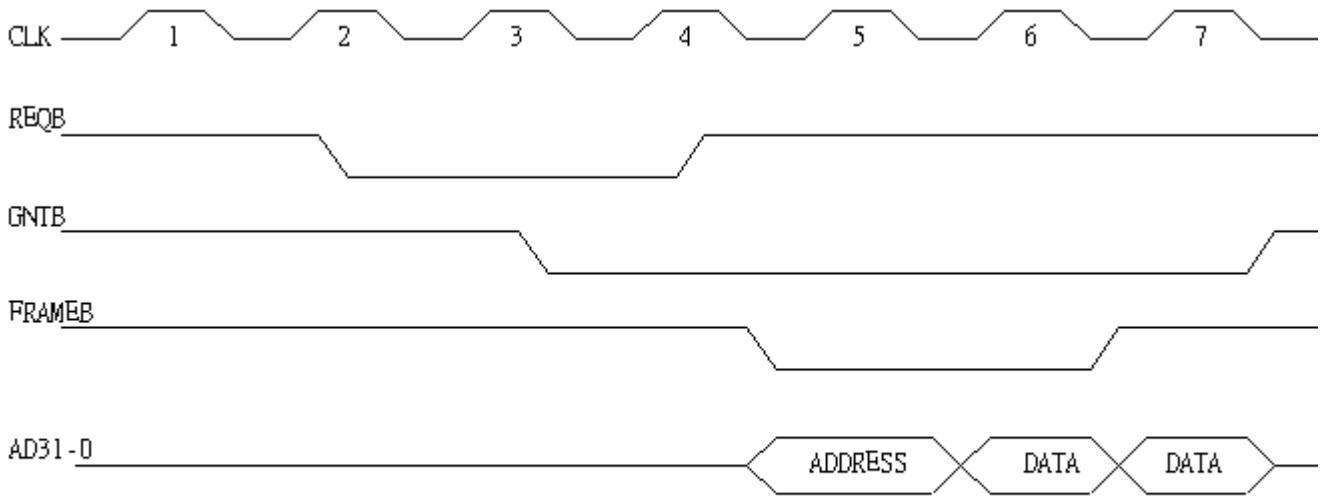
Target Write



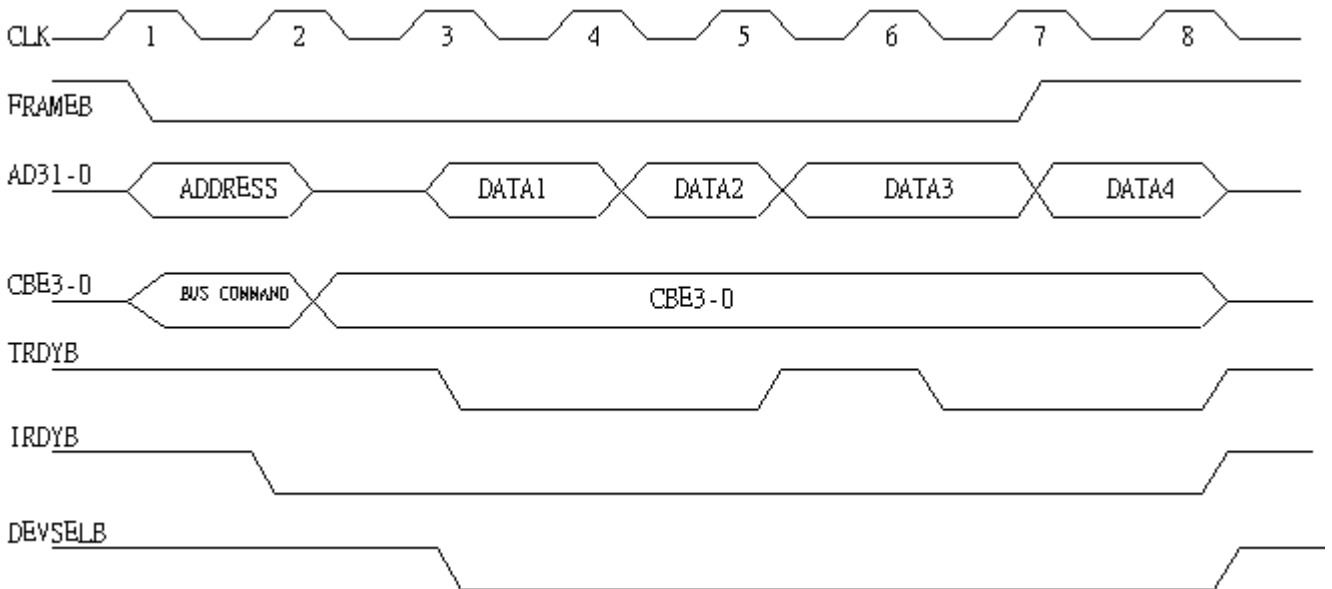
Configuration Read



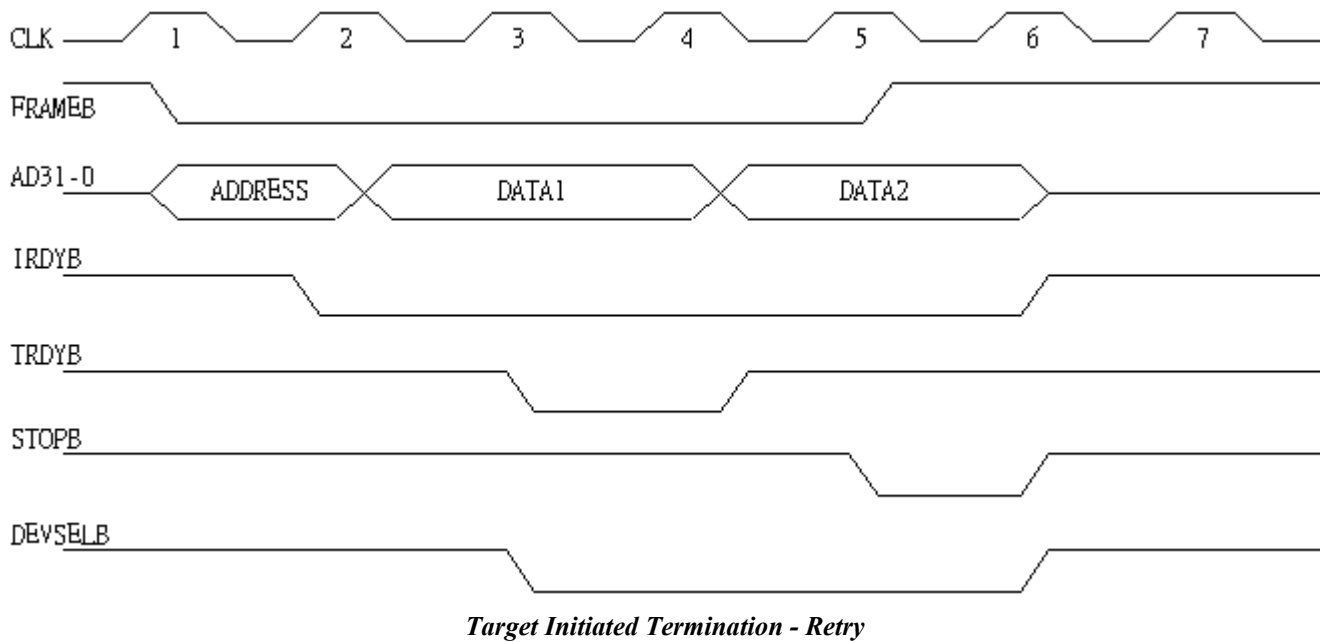
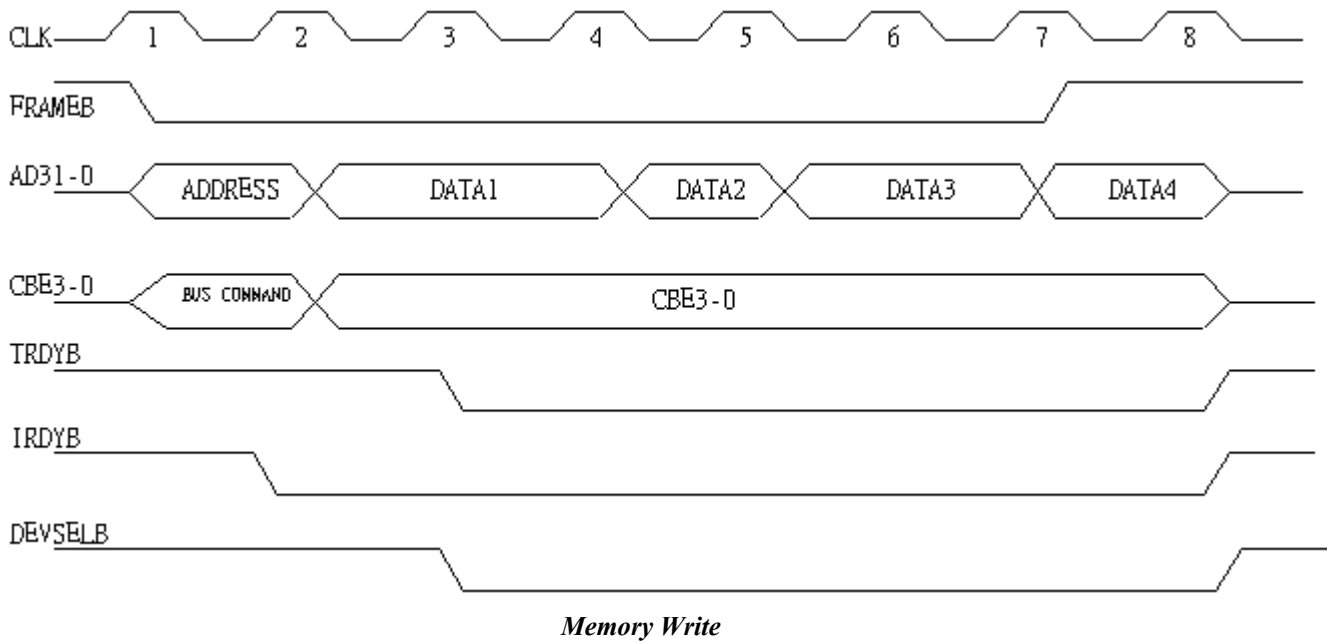
Configuration Write

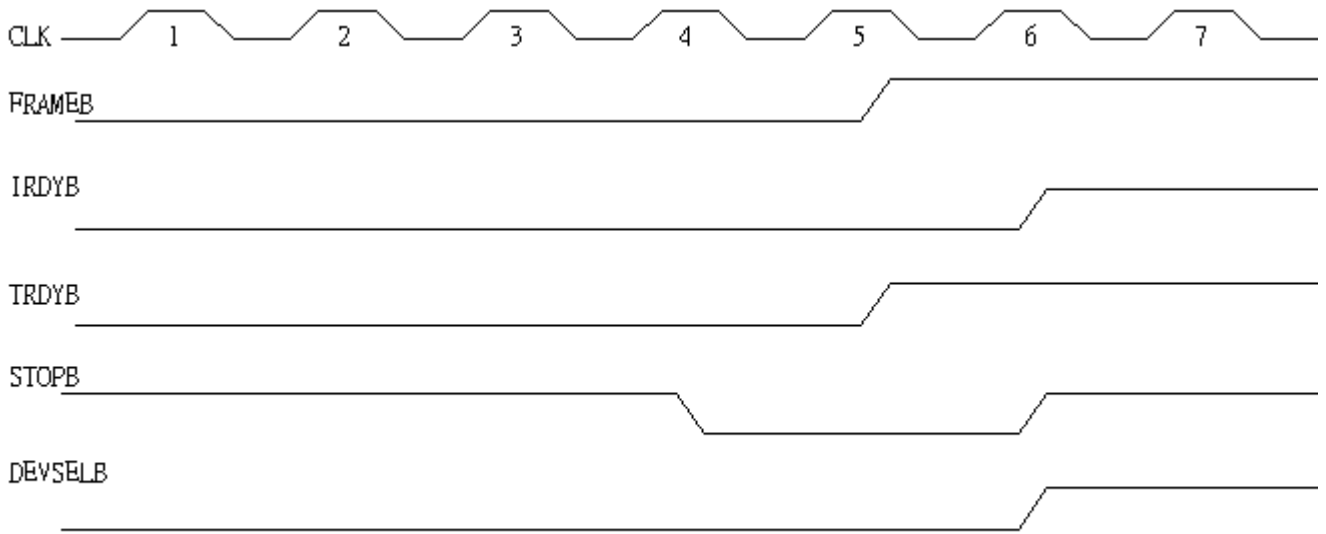


BUS Arbitration

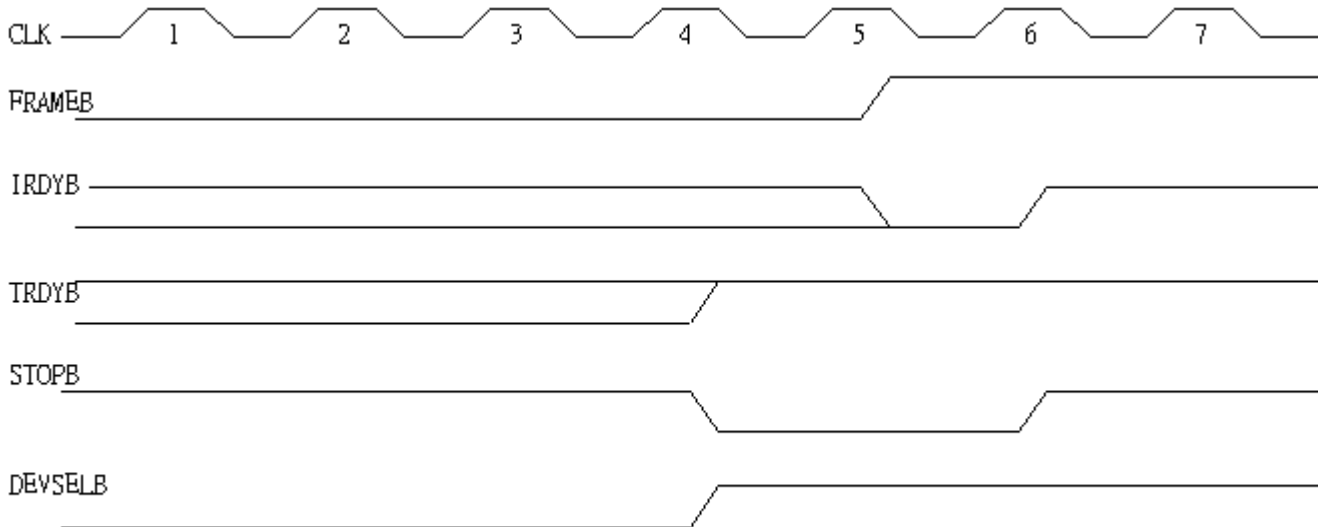


Memory Read

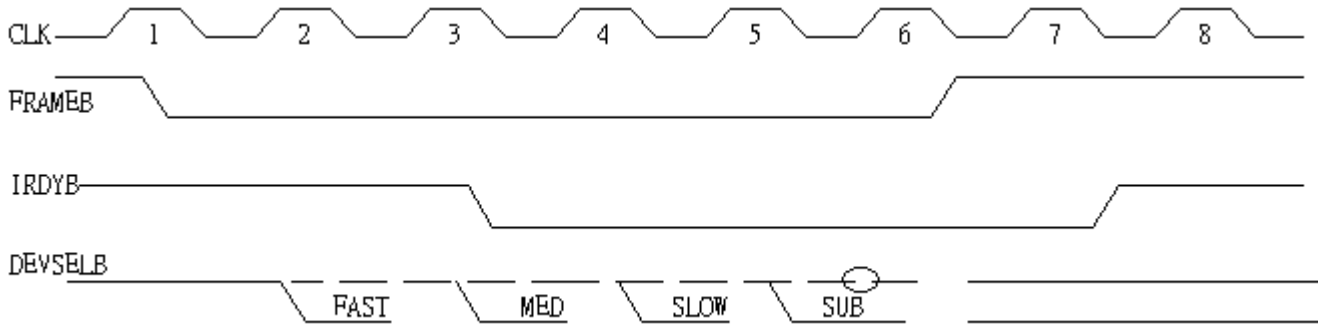




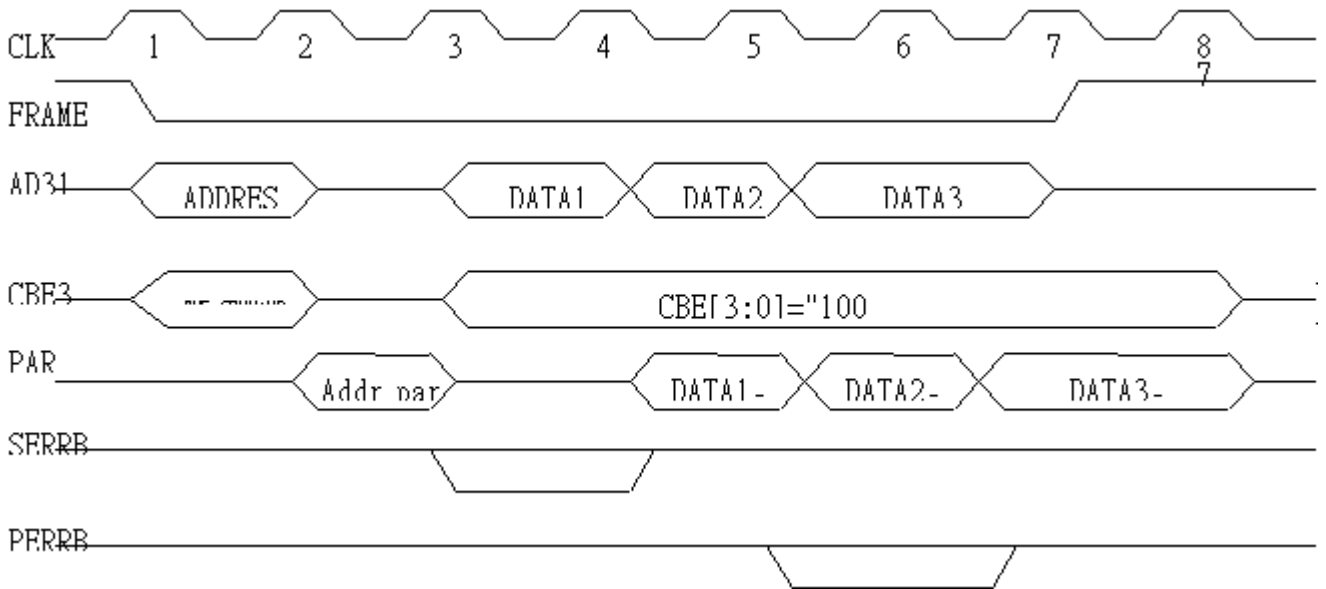
Target Initiated Termination - Disconnect



Target Initiated Termination - Abort

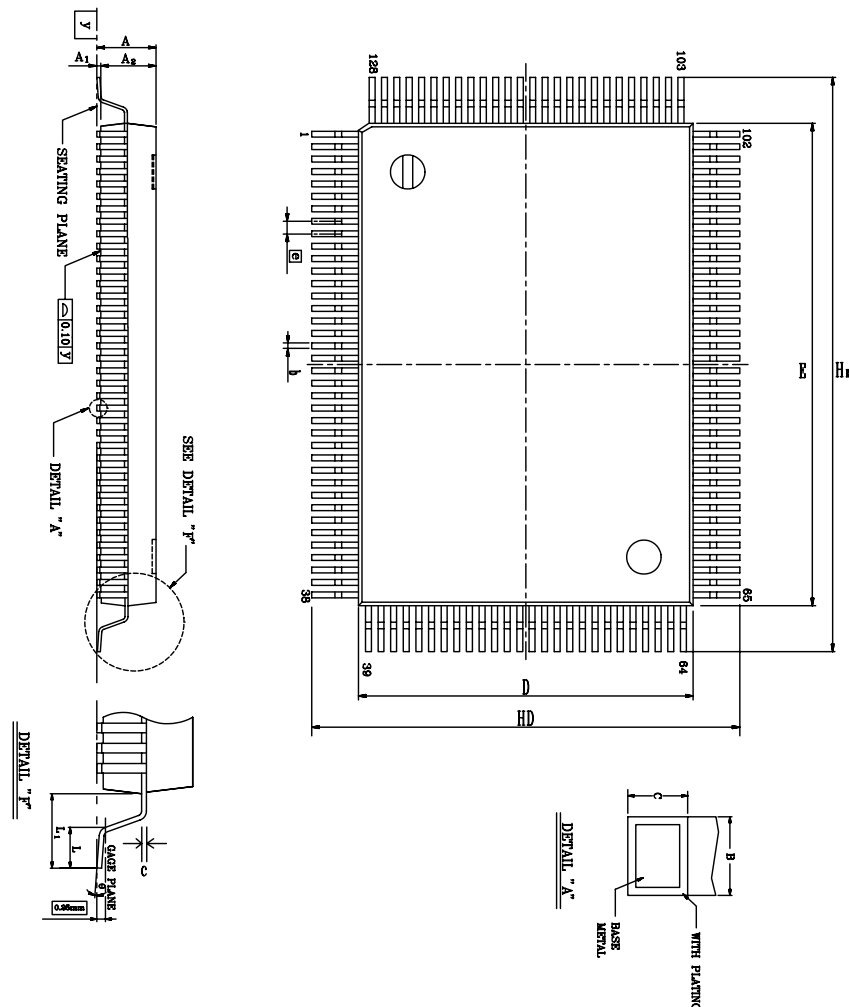


Master Initiated Termination - Abort



Parity Operation - one example

12. Mechanical Dimensions

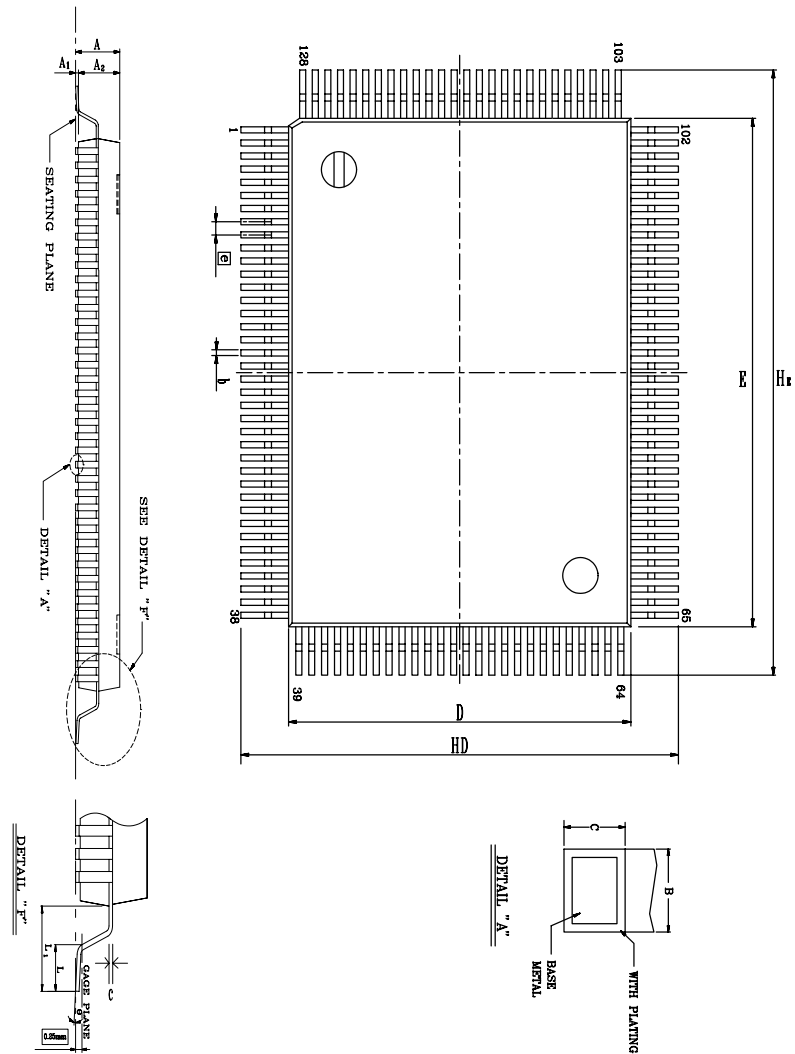


| Symbol | Dimension in inch | | | Dimension in mm | | |
|-----------|-------------------|---------|-------|-----------------|--------------|-------|
| | Min | Typical | Max | Min | Typical | Max |
| A | - | | 0.134 | - | - | 3.40 |
| A1 | 0.004 | 0.010 | 0.036 | 0.10 | 0.25 | 0.91 |
| A2 | 0.102 | 0.112 | 0.122 | 2.60 | 2.85 | 3.10 |
| B | 0.005 | 0.009 | 0.013 | 0.12 | 0.22 | 0.32 |
| C | 0.002 | 0.006 | 0.010 | 0.05 | 0.15 | 0.25 |
| D | 0.541 | 0.551 | 0.561 | 13.75 | 14.00 | 14.25 |
| E | 0.778 | 0.787 | 0.797 | 19.75 | 20.00 | 20.25 |
| e | 0.010 | 0.020 | 0.030 | 0.25 | 0.5 | 0.75 |
| HD | 0.665 | 0.677 | 0.689 | 16.90 | 17.20 | 17.50 |
| HE | 0.902 | 0.913 | 0.925 | 22.90 | 23.20 | 23.50 |
| L | 0.027 | 0.035 | 0.043 | 0.68 | 0.88 | 1.08 |
| L1 | 0.053 | 0.063 | 0.073 | 1.35 | 1.60 | 1.85 |
| y | - | - | 0.004 | - | - | 0.10 |
| θ | 0° | - | 12° | 0° | - | 12° |

Note:

1. Dimension D & E do not include interlead flash.
2. Dimension b does not include dambar protrusion/intrusion.
3. Controlling dimension: Millimeter
4. General appearance spec. should be based on final visual inspection spec.

| TITLE: 128 QFP (14x20 mm) PACKAGE OUTLINE -CU L/F, FOOTPRINT 3.2 mm | | | |
|--|--|----------|--------------|
| LEADFRAME MATERIAL: | | | |
| APPROVE | | DOC. NO. | 530-ASS-P004 |
| | | VERSION | 1 |
| CHECK | | PAGE | OF |
| | | DWG NO. | Q128 - 1 |
| | | DATE | Nov. 4 1999 |
| REALTEK SEMI-CONDUCTOR CO., LTD | | | |


Note:

- 1.Dimension b does not include dambar protrusion/intrusion.
- 2.Controlling dimension: Millimeter
- 3.General appearance spec. should be based on final visual

| Symbol | Dimension in inch | | | Dimension in mm | | |
|-----------|-------------------|---------|-------|-----------------|--------------|-------|
| | Min | Typical | Max | Min | Typical | Max |
| A | - | - | 0.067 | - | - | 1.70 |
| A1 | 0.000 | 0.004 | 0.008 | 0.00 | - | 0.25 |
| A2 | 0.051 | 0.055 | 0.059 | 1.30 | 1.40 | 1.50 |
| b | 0.006 | 0.009 | 0.011 | 0.15 | 0.22 | 0.29 |
| c | 0.004 | - | 0.006 | 0.09 | - | 0.20 |
| D | 0.541 | 0.551 | 0.561 | 13.75 | 14.00 | 14.25 |
| E | 0.778 | 0.787 | 0.797 | 19.75 | 20.00 | 20.25 |
| e | 0.020 | | BSC | 0.50 | | BSC |
| HD | 0.620 | 0.630 | 0.640 | 15.90 | 16.00 | 16.30 |
| HE | 0.855 | 0.866 | 0.877 | 21.70 | 22.00 | 23.30 |
| L | 0.016 | 0.024 | 0.031 | 0.45 | 0.60 | 0.75 |
| L1 | 0.039 | | REF | 1.00 | | REF |
| θ | 0° | 3.5° | 9° | 0° | 3.5° | 9° |

| | | | |
|---|----------|--------------|--|
| TITLE: 128LD LQFP (14x20x1.4 mm*2) PACKAGE | | | |
| -CU L/F, FOOTPRINT 2.0 mm | | | |
| LEADFRAME MATERIAL: | | | |
| APPROVE | DOC. NO. | 530-ASS-P004 | |
| | VERSION | 1 | |
| | PAGE | OF | |
| CHECK | DWG NO. | LQ128 - 1 | |
| | DATE | Nov. 4.1999 | |
| REALTEK SEMICONDUCTOR CORP. | | | |

Realtek Semiconductor Corp.**Headquarters**

1F, No. 2, Industry East Road IX, Science-based
Industrial Park, Hsinchu, 300, Taiwan, R.O.C.

Tel : 886-3-5780211 Fax : 886-3-5776047

WWW: www.realtek.com.tw
