

Tiny Package, High Efficiency, Step-up DC/DC Converter

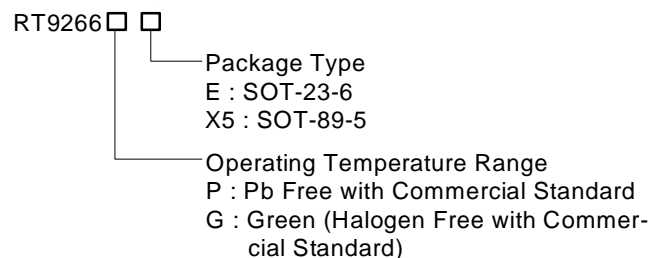
General Description

The RT9266 is a compact, high efficiency, and low voltage step-up DC/DC converter with an Adaptive Current Mode PWM control loop, includes an error amplifier, ramp generator, comparator, switch pass element and driver in which providing a stable and high efficient operation over a wide range of load currents. It operates in stable waveforms without external compensation.

The low start-up input voltage below 1V makes RT9266 suitable for 1 to 4 battery cells applications of providing up to 300mA output current. The 450kHz high switching rate minimized the size of external components. Besides, the 17µA low quiescent current together with high efficiency maintains long battery lifetime.

The output voltage is set with two external resistors. Both internal 2A switch and driver for driving external power devices (NMOS or NPN) are provided.

Ordering Information



Note :

RichTek Pb-free and Green products are :

- }RoHS compliant and compatible with the current requirements of IPC/JEDEC J-STD-020.
- }Suitable for use in SnPb or Pb-free soldering processes.
- }100% matte tin (Sn) plating.

Marking Information

For marking information, contact our sales representative directly or through a RichTek distributor located in your area, otherwise visit our website for detail.

Features

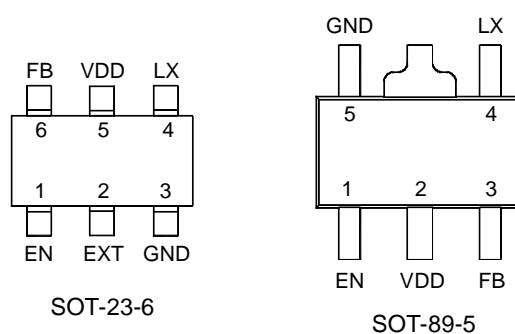
- | 1.0V Low Start-up Input Voltage
- | High Supply Capability to Deliver 3.3V 100mA with 1 Alkaline Cell
- | 17mA Quiescent (Switch-off) Supply Current
- | Zero Shutdown Mode Supply Current
- | 90% Efficiency
- | 450kHz Fixed Switching Frequency
- | Providing Flexibility for Using Internal and External Power Switches
- | Small SOT-23-6 & SOT-89-5 Package
- | RoHS Compliant and 100% Lead (Pb)-Free

Applications

- | PDA
- | DSC
- | LCD Panel
- | RF-Tags
- | MP3
- | Portable Instrument
- | Wireless Equipment

Pin Configurations

(TOP VIEW)



Note : There is no pin1 indicator on top mark for SOT-23-6 type, and pin 1 will be lower left pin when reading top mark from left to right.

Typical Application Circuit

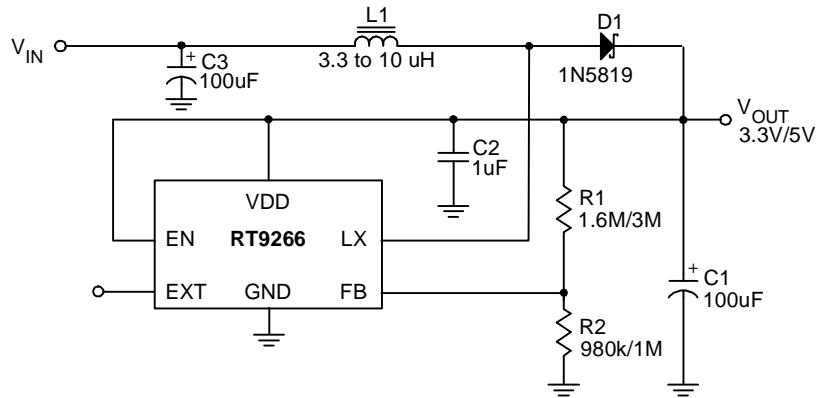


Figure 1. RT9266 Typical Application for Portable Instruments

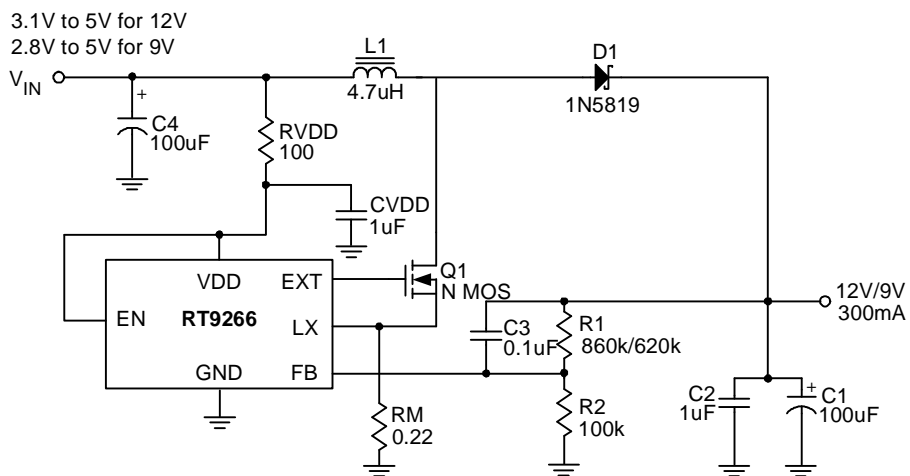


Figure 2. RT9266 High Voltage Applications

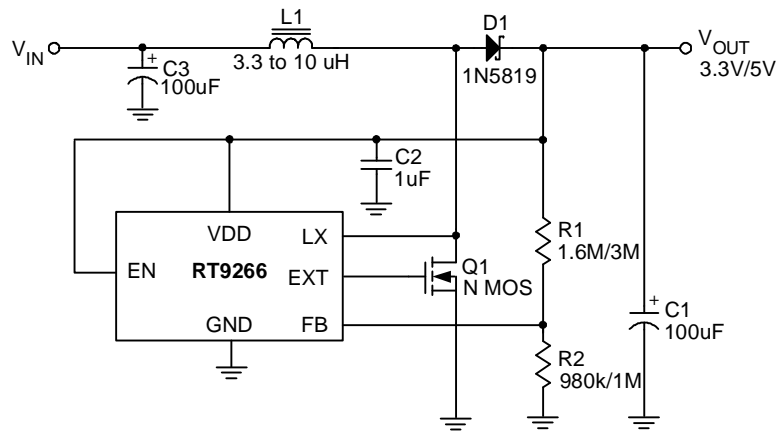


Figure 3. RT9266 for Higher Current Applications

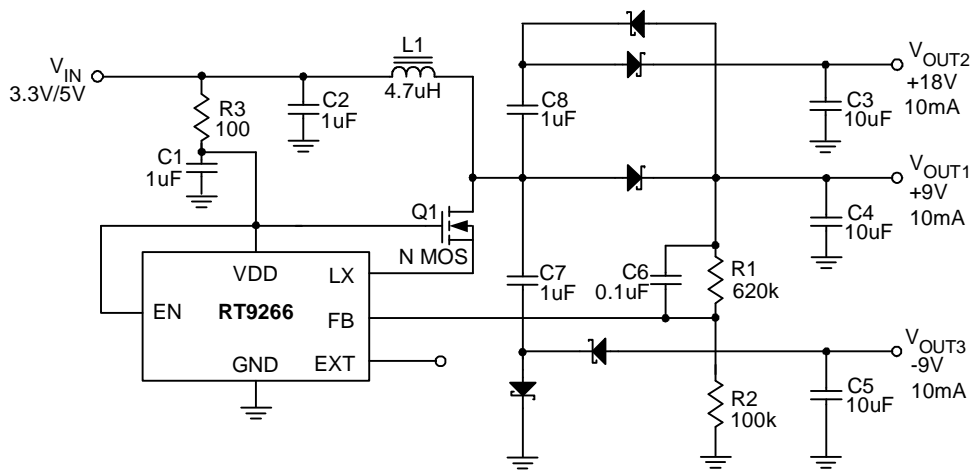
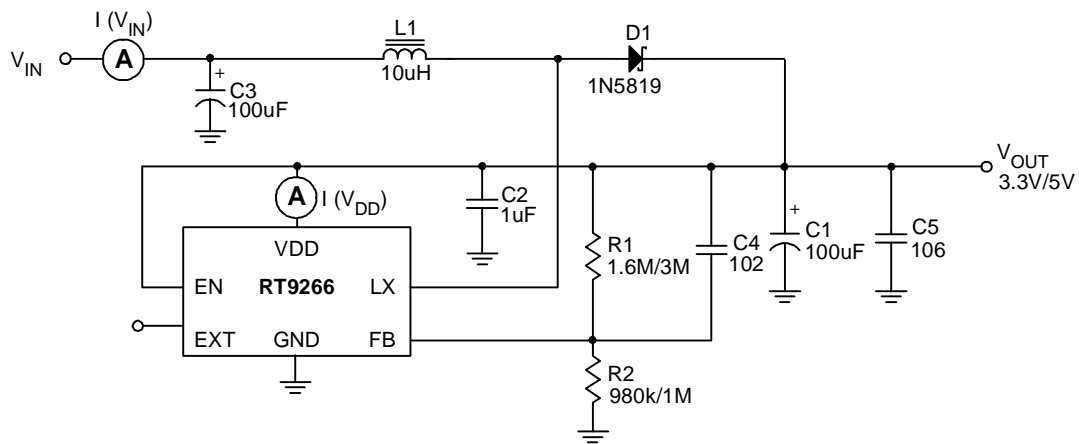


Figure 4. RT9266 for Multi-Output Applications

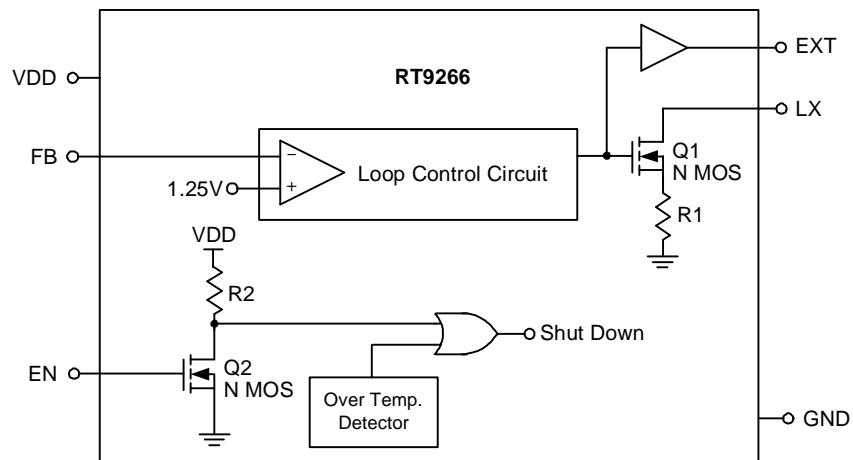
Test Circuit



Functional Pin Description

Pin No.		Pin Name	Pin Function
RT9266CX5	RT9266CE		
1	1	EN	Chip Enable (Active High)
--	2	EXT	Output Pin for Driving External NMOS
5	3	GND	Ground
4	4	LX	Pin for Switching
2	5	VDD	Input Positive Power Pin of RT9266
3	6	FB	Feedback Input Pin Internal Reference Voltage for the Error Amplifier is 1.25V.

Function Block Diagram



Absolute Maximum Ratings

Supply Voltage -----	-0.3V to 7V
LX Pin Switch Voltage -----	-0.3V to 7V
Other I/O Pin Voltages -----	-0.3V to (V _{DD} + 0.3V)
LX Pin Switch Current -----	2.5A
EXT Pin Driver Current -----	200mA
Package Thermal Resistance	
SOT-23-6, θ_{JC} -----	145°C/W
SOT-89-5, θ_{JC} -----	45°C/W
Operating Junction Temperature -----	125°C
Storage Temperature Range -----	-65°C to +150°C

NOTE:

Absolute Maximum ratings are threshold limit values that must not be exceeded even for an instant under any conditions. Moreover, such values for any two items must not be reached simultaneously. Operation above these absolute maximum ratings may cause degradation or permanent damage to the device. These are stress ratings only and do not necessarily imply functional operation below these limits

Electrical Characteristics

(V_{IN} = 1.5V, V_{DD} set to 3.3V, Load Current = 0, T_A = 25°C, unless otherwise specified)

Parameter	Symbol	Test Conditions	Min	Typ	Max	Units
Start-UP Voltage	V _{ST}	I _L = 1mA	--	0.98	1.05	V
Operating VDD Range	V _{DD}	V _{DD} pin voltage	2	--	6	V
Shutdown Current I (V _{IN})	I _{OFF}	EN Pin = 0V, V _{IN} = 4.5V	--	0.01	1	μA
Switch-off Current I (VDD)	I _{SWITCH OFF}	V _{IN} = 6V	--	17	25	μA
Continuous Switching Current	I _{SWITCH}	V _{IN} = EN = 3.3V, V _{FB} = GND	0.4	0.55	0.7	mA
No Load Current I (V _{IN})	I _{NO LOAD}	V _{IN} = 1.5V, V _{OUT} = 3.3V	--	75 [*]	--	μA
Feedback Reference Voltage	V _{REF}	Close Loop, V _{DD} = 3.3V	1.225	1.25	1.275	V
Switching Frequency	F _S	V _{DD} = 3.3V	425	500	575	kHz
Maximum Duty	D _{MAX}	V _{DD} = 3.3V	85	95	--	%
LX ON Resistance		V _{DD} = 3.3V	--	0.3	1.1	Ω
Current Limit Setting	I _{LIMIT}	V _{DD} = 3.3V	1.6	2	2.6 ^{**}	A
EXT ON Resistance to VDD		V _{DD} = 3.3V	--	5	8.5	Ω
EXT ON Resistance to GND		V _{DD} = 3.3V	--	5	8.5	Ω
Line Regulation	ΔV _{LINE}	V _{IN} = 3.5 ~ 6V, I _L = 1mA	--	1.5	10	mV/V
Load Regulation	ΔV _{LOAD}	V _{IN} = 2.5V, I _L = 1 ~ 100mA	--	0.25 ^{***}	--	mV/mA
EN Pin Trip Level		V _{DD} = 3.3V	0.4	0.8	1.2	V
Temperature Stability for Vout	T _S		--	50	--	ppm/°C
Thermal Shutdown Hysterises	ΔT _{SD}		--	10	--	°C

Note :

* No Load Current is highly dependent on practical system design and component selection that cannot be covered by production testing. Typical No Load Current is verified by typical application circuit with recommended components. No Load Current performance is guaranteed by Switch Off Current and Continuous Switching Current.

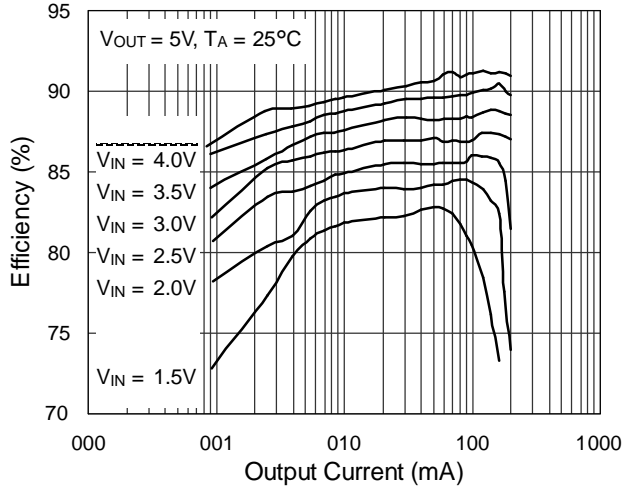
** Current Limit is guaranteed by design at $T_A = 25^\circ\text{C}$.

***Load Regulation is not tested at production due to practical instrument limitation. Load Regulation performance is dominantly dependent on DC loop gain and LX ON Resistance that are guaranteed by "Line Regulation" and "LX ON Resistance" tests in production.

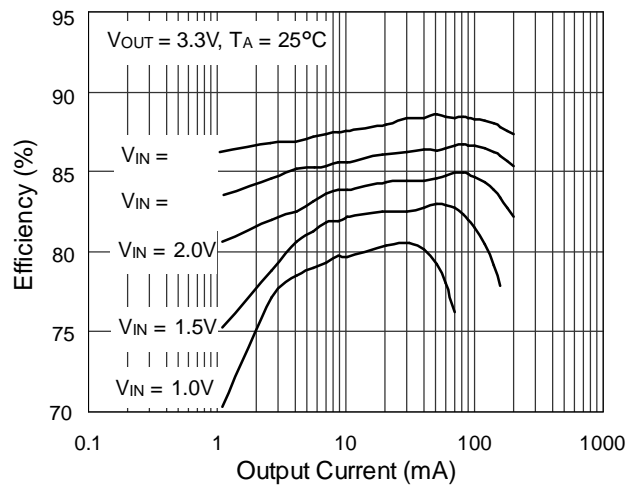
Typical Operating Characteristics

(Refer to Test Circuit)

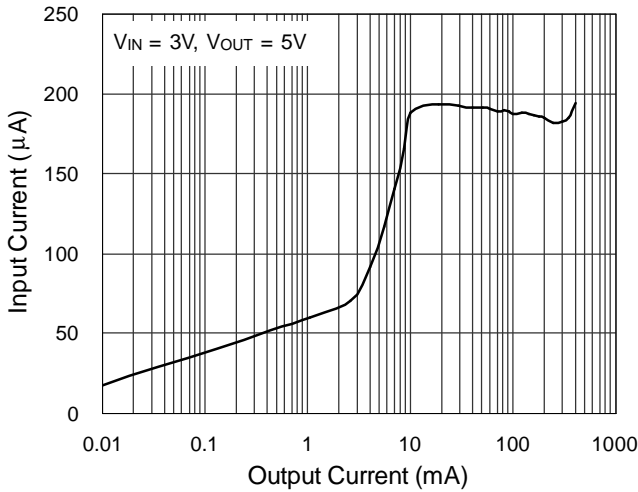
Efficiency vs. Output Current



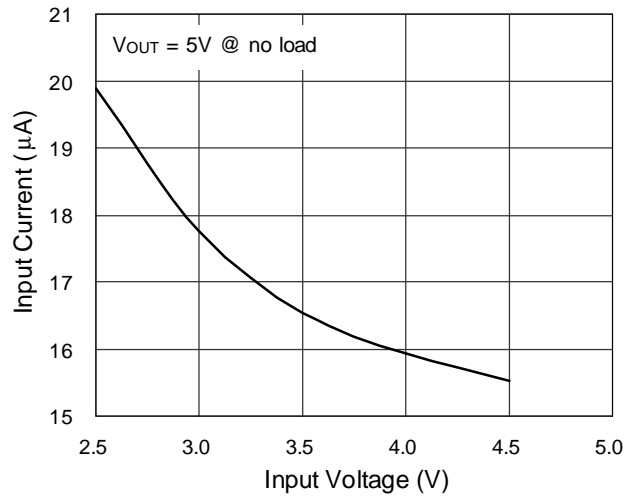
Efficiency vs. Output Current



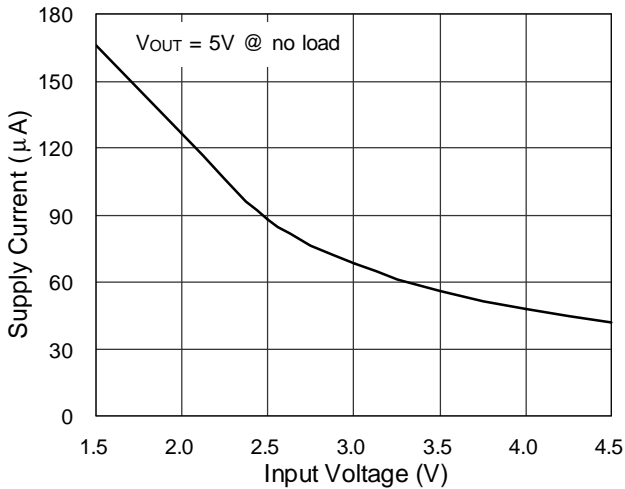
Input Current I(V_{DD}) vs. Output Current



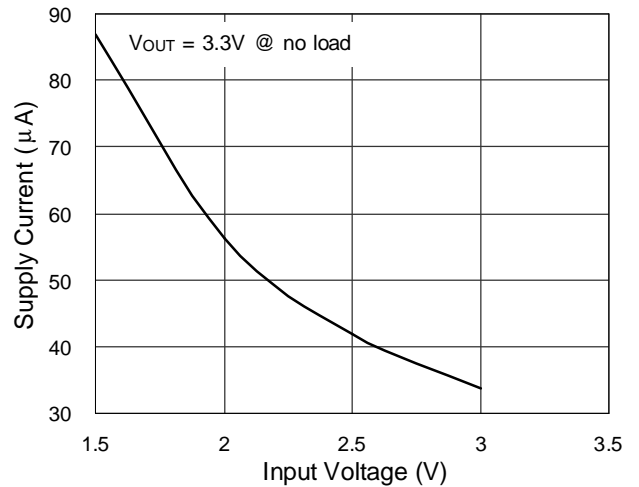
Input Current I(V_{DD}) vs. Input Voltage



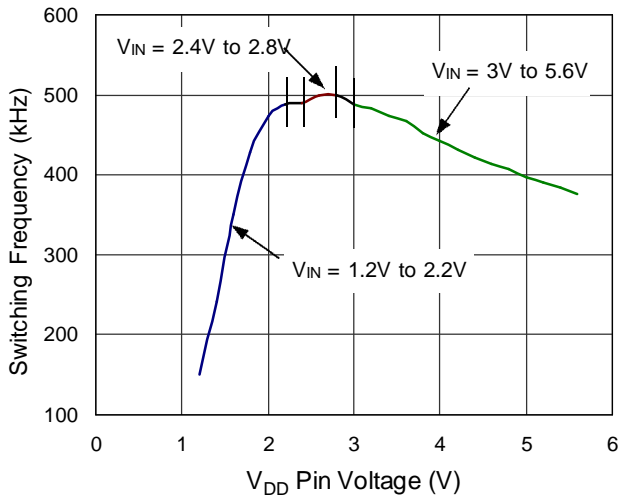
Supply Current I(V_{IN}) vs. Input Voltage



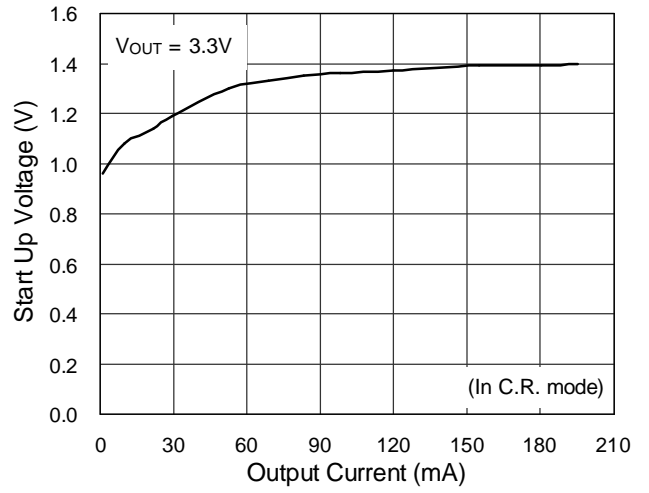
Supply Current I(V_{IN}) vs. Input Voltage



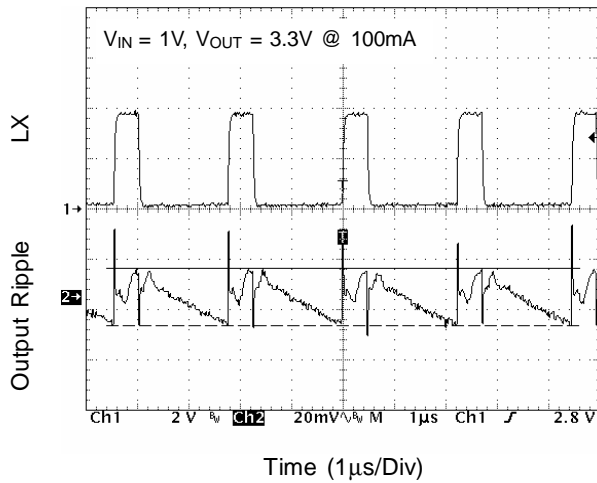
Switching vs. V_{DD} Pin Voltage



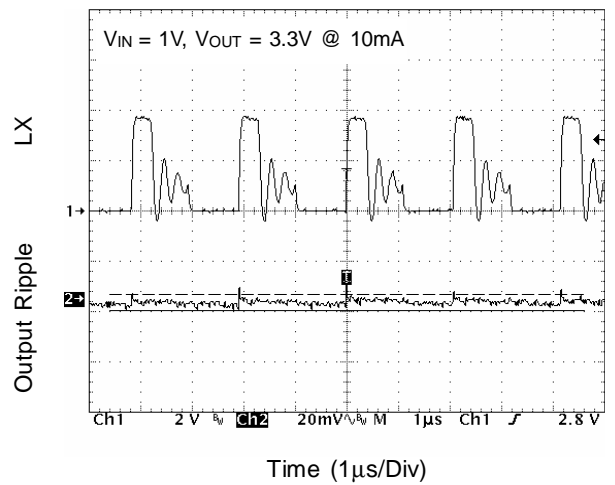
Start Up Voltage vs. Output Current



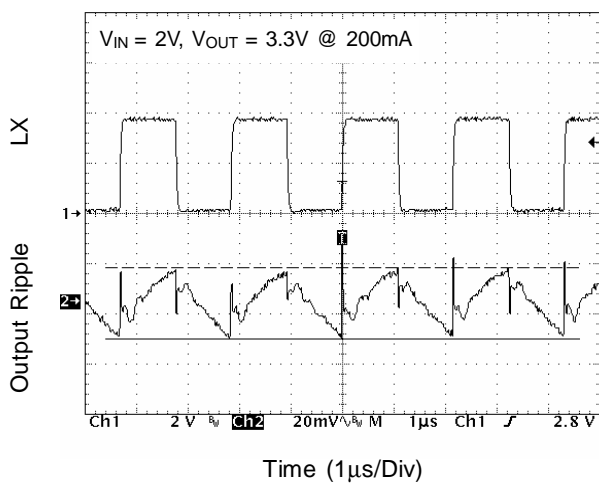
LX & Output Ripple



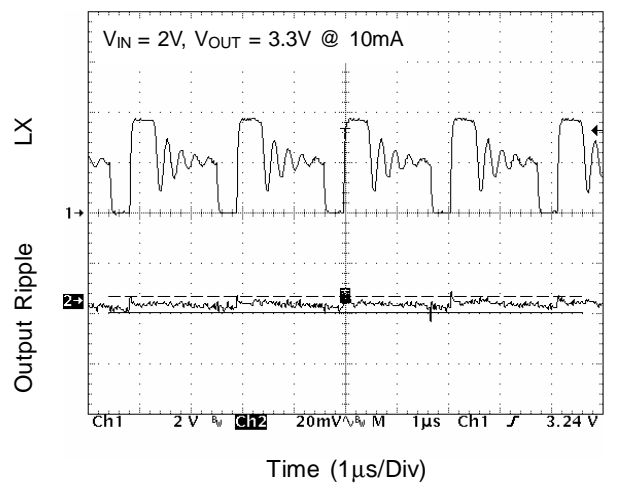
LX & Output Ripple



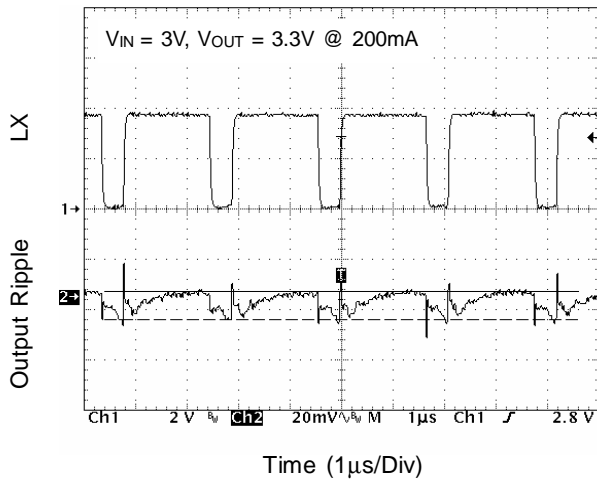
LX & Output Ripple



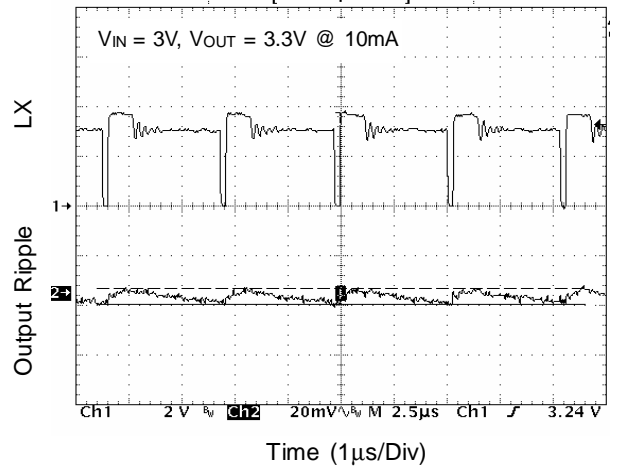
LX & Output Ripple



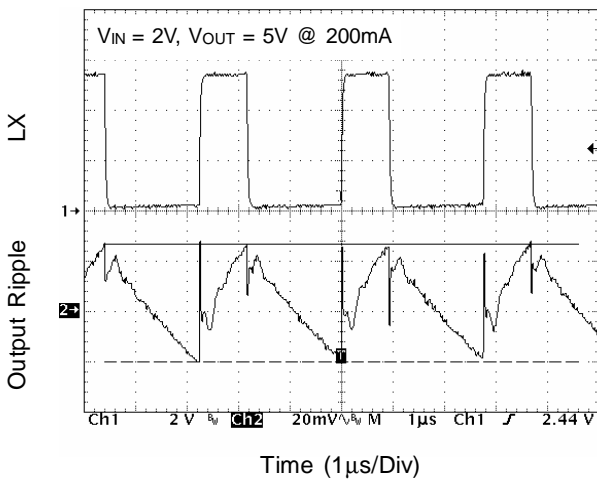
LX & Output Ripple



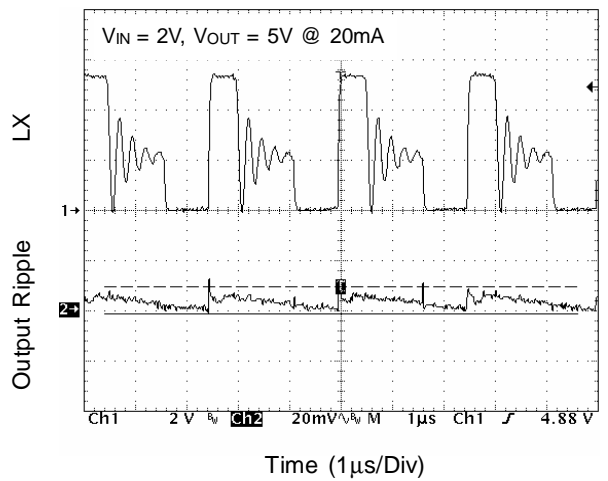
LX & Output Ripple



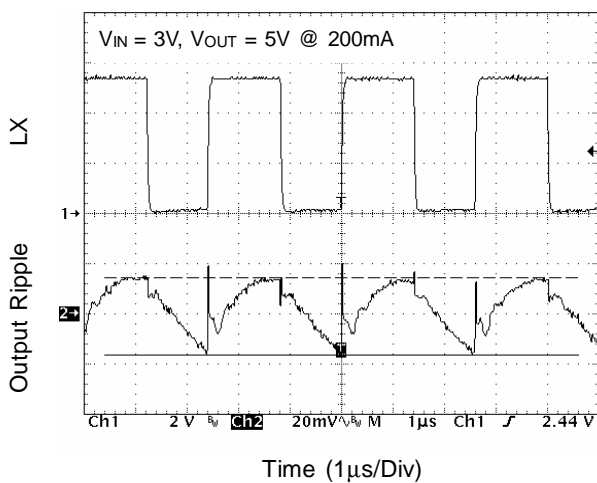
LX & Output Ripple



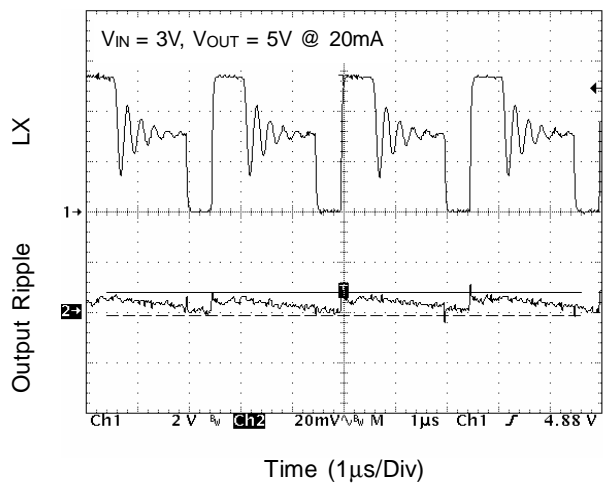
LX & Output Ripple



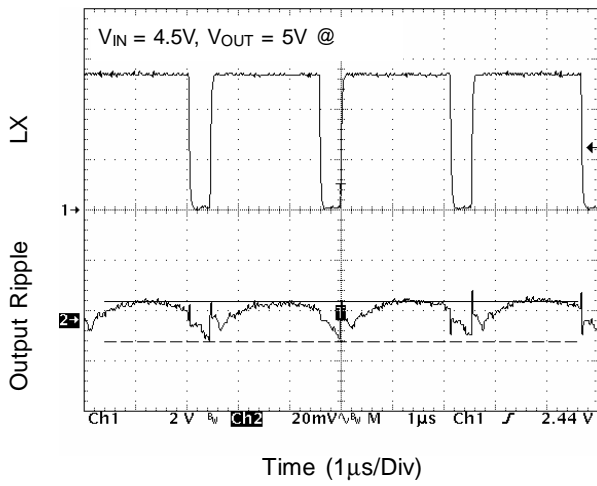
LX & Output Ripple



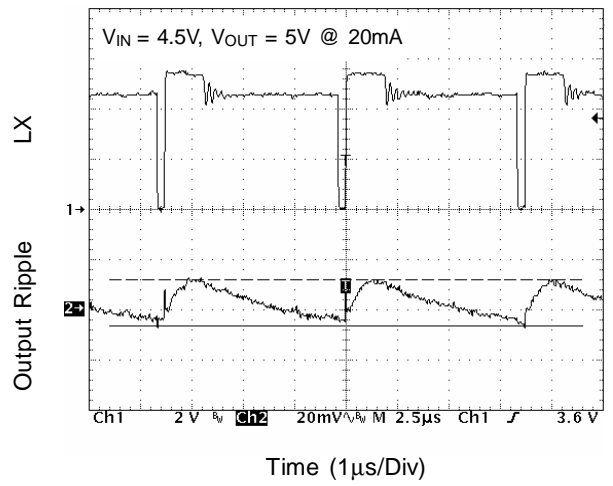
LX & Output Ripple



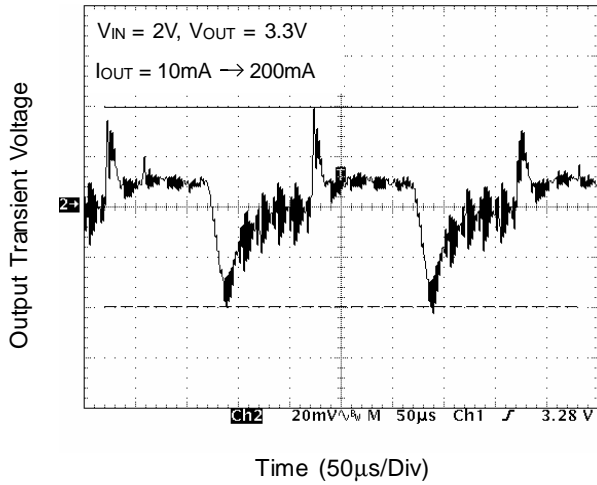
LX & Output Ripple



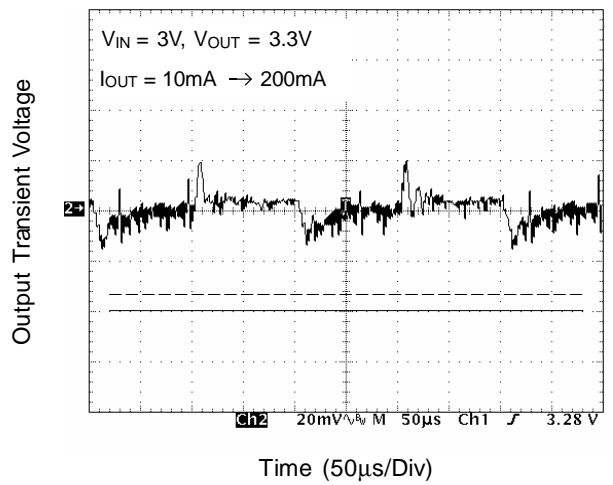
LX & Output Ripple



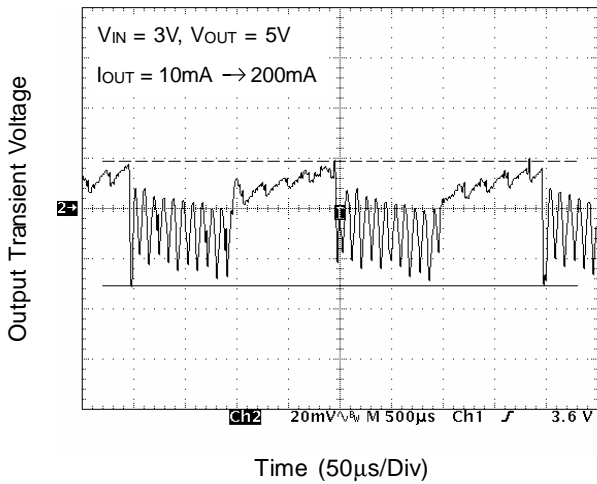
Transient Response



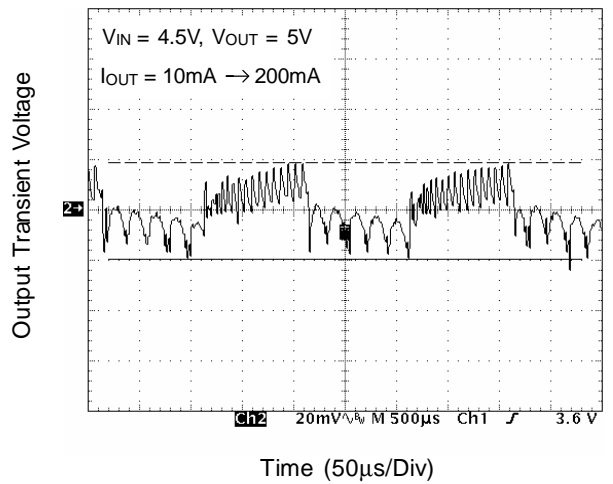
Transient Response

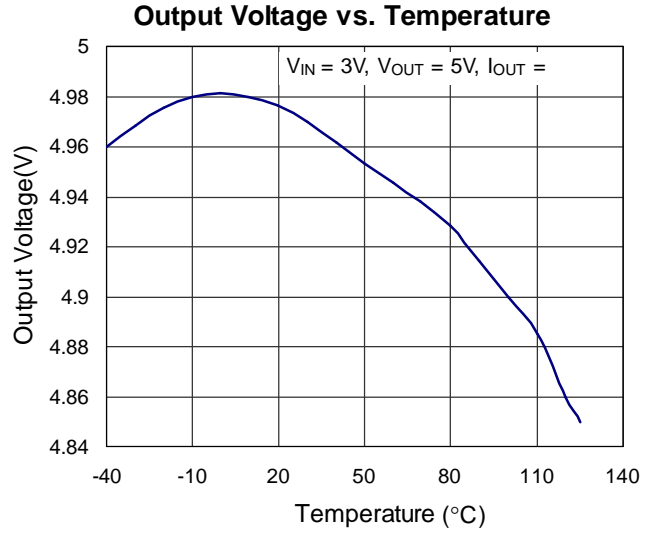
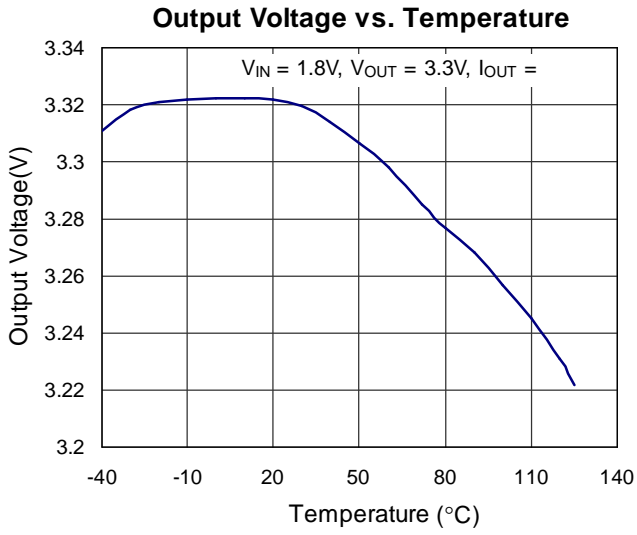


Transient Response



Transient Response





Application Information

Output Voltage Setting

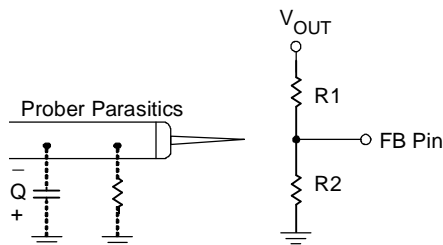
Referring to Typical Application Circuits, the output voltage of the switching regulator (V_{OUT}) can be set with Equation (1).

$$V_{OUT} = \left(1 + \frac{R1}{R2}\right) \times 1.25V \quad (1)$$

Feedback Loop Design

Referring to Typical Application Circuits. The selection of R1 and R2 based on the trade-off between quiescent current consumption and interference immunity is stated below:

- ▮ Follow Equation (1)
- ▮ Higher R reduces the quiescent current (Path current = $1.25V/R2$), however resistors beyond $5M\Omega$ are not recommended.
- ▮ Lower R gives better noise immunity, and is less sensitive to interference, layout parasitics, FB node leakage, and improper probing to FB pins.



- ▮ A proper value of feed forward capacitor parallel with R1 can improve the noise immunity of the feedback loops, especially in an improper layout. An empirical suggestion is around $0\sim 33pF$ for feedback resistors of $M\Omega$, and $10nF\sim 0.1\mu F$ for feedback resistors of tens to hundreds $k\Omega$.

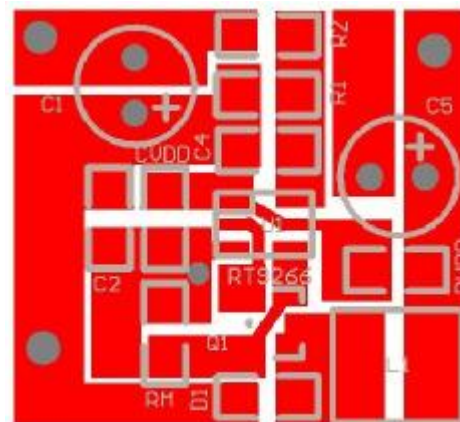
For applications without standby or suspend modes, lower values of R1 and R2 are preferred. For applications concerning the current consumption in standby or suspend modes, the higher values of R1 and R2 are needed. Such "high impedance feedback loops" are sensitive to any interference, which require careful layout and avoid any interference, e.g. probing to FB pin.

Layout Guide

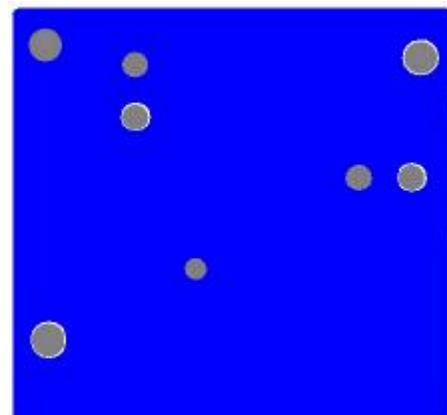
- ▮ A full GND plane without gap break.
- ▮ V_{DD} to GND noise bypass – Short and wide connection for the $1\mu F$ MLCC capacitor between Pin5 and Pin3.
- ▮ V_{IN} to GND noise bypass – Add a capacitor close to L1 inductor, when V_{IN} is not an idea voltage source.
- ▮ Minimized FB node copper area and keep far away from noise sources.
- ▮ Minimized parasitic capacitance connecting to LX and EXT nodes, which may cause additional switching loss.

Board Layout Example (2-Layer Board)

(Refer to Typical Application Circuits Figure 2 for the board)

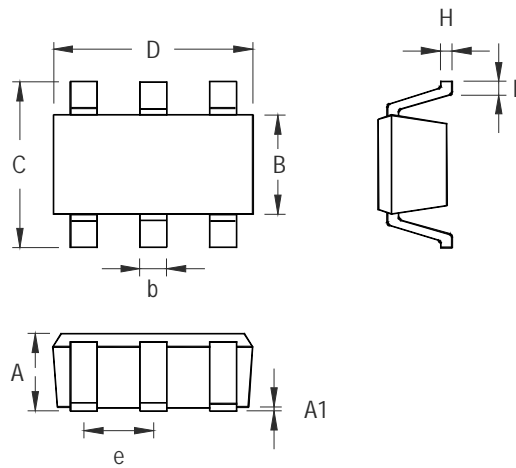


- Top Layer -



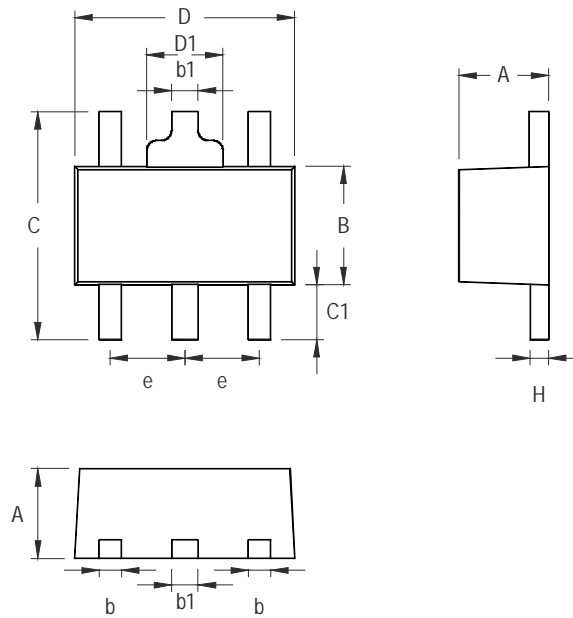
- Bottom Layer -

Outline Dimension



Symbol	Dimensions In Millimeters		Dimensions In Inches	
	Min	Max	Min	Max
A	0.889	1.295	0.031	0.051
A1	0.000	0.152	0.000	0.006
B	1.397	1.803	0.055	0.071
b	0.250	0.560	0.010	0.022
C	2.591	2.997	0.102	0.118
D	2.692	3.099	0.106	0.122
e	0.838	1.041	0.033	0.041
H	0.080	0.254	0.003	0.010
L	0.300	0.610	0.012	0.024

SOT-23-6 Surface Mount Package



Symbol	Dimensions In Millimeters		Dimensions In Inches	
	Min	Max	Min	Max
A	1.397	1.600	0.055	0.063
b	0.356	0.508	0.014	0.020
B	2.388	2.591	0.094	0.102
b1	0.406	0.533	0.016	0.021
C	3.937	4.242	0.155	0.167
C1	0.787	1.194	0.031	0.047
D	4.394	4.597	0.173	0.181
D1	1.397	1.702	0.055	0.067
e	1.397	1.600	0.055	0.063
H	0.356	0.432	0.014	0.017

5-Lead SOT-89 Surface Mount Package

Richtek Technology Corporation

Headquarter
 5F, No. 20, Taiyuen Street, Chupei City
 Hsinchu, Taiwan, R.O.C.
 Tel: (8863)5526789 Fax: (8863)5526611

Richtek Technology Corporation

Taipei Office (Marketing)
 8F, No. 137, Lane 235, Paochiao Road, Hsintien City
 Taipei County, Taiwan, R.O.C.
 Tel: (8862)89191466 Fax: (8862)89191465
 Email: marketing@richtek.com