

75A, 1200V Hyperfast Diode

The RHRU75120 (TA49042) is a hyperfast diode with soft recovery characteristics ($t_{RR} < 85\text{ns}$). It has half the recovery time of ultrafast diodes and is silicon nitride passivated ion-implanted epitaxial planar construction.

This device is intended for use as a freewheeling/clamping diode and rectifier in a variety of high frequency switching power supplies and other power switching applications. Its low stored charge and hyperfast soft recovery minimize ringing and electrical noise in many power switching circuits reducing power loss in the switching transistors.

Ordering Information

PACKAGING AVAILABILITY

PART NUMBER	PACKAGE	BRAND
RHRU75120	TO-218	RHRU75120

NOTE: When ordering, use the entire part number.

Features

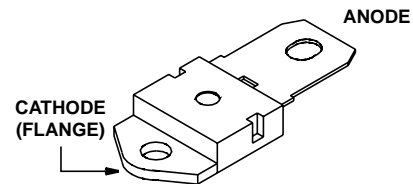
- Hyperfast with Soft Recovery<85ns
- Operating Temperature +175°C
- Reverse Voltage1200V
- Avalanche Energy Rated
- Planar Construction

Applications

- Switching Power Supplies
- Power Switching Circuits
- General Purpose

Package

JEDEC STYLE TO-218



Symbol



Absolute Maximum Ratings $T_C = +25^\circ\text{C}$

	RHRU75120	UNITS
Peak Repetitive Reverse Voltage.....	V_{RRM} 1200	V
Working Peak Reverse Voltage.....	V_{RWM} 1200	V
DC Blocking Voltage.....	V_R 1200	V
Average Rectified Forward Current.....	$I_{F(AV)}$ 75	A
($T_C = +46^\circ\text{C}$)		
Repetitive Peak Surge Current.....	I_{FSM} 150	A
(Square Wave, 20kHz)		
Nonrepetitive Peak Surge Current.....	I_{FSM} 500	A
(Halfwave, 1Phase, 60Hz)		
Maximum Power Dissipation.....	P_D 190	W
Avalanche Energy.....	E_{AVL} 50	mj
($L = 40\text{mH}$)		
Operating and Storage Temperature.....	T_{STG}, T_J -65 to +175	°C

Electrical Specifications $T_C = +25^{\circ}\text{C}$, Unless Otherwise Specified

SYMBOL	TEST CONDITION	LIMITS			UNITS
		MIN	TYP	MAX	
V_F	$I_F = 75\text{A}$	-	-	3.2	V
V_F	$I_F = 75\text{A}$ $T_C = +150^{\circ}\text{C}$	-	-	2.6	V
I_R	$V_R = 1200\text{V}$	-	-	500	μA
I_R	$V_R = 1200\text{V}$ $T_C = +150^{\circ}\text{C}$	-	-	2	mA
t_{RR}	$I_F = 1\text{A}$, $di_F/dt = 100\text{A}/\mu\text{s}$	-	-	85	ns
t_{RR}	$I_F = 75\text{A}$, $di_F/dt = 100\text{A}/\mu\text{s}$	-	-	100	ns
t_A	$I_F = 75\text{A}$, $di_F/dt = 100\text{A}/\mu\text{s}$	-	60	-	ns
t_B	$I_F = 75\text{A}$, $di_F/dt = 100\text{A}/\mu\text{s}$	-	25	-	ns
$R_{\theta JC}$		-	-	0.8	$^{\circ}\text{C}/\text{W}$

DEFINITIONS

- V_F = Instantaneous forward voltage ($p_w = 300\mu\text{s}$, $D = 2\%$).
- I_R = Instantaneous reverse current.
- t_{RR} = Reverse recovery time (See Figure 2), summation of $t_A + t_B$.
- t_A = Time to reach peak reverse current at (See Figure 2).
- t_B = Time from peak I_{RM} to projected zero crossing of I_{RM} based on a straight line from peak I_{RM} through 25% of I_{RM} (See Figure 2).
- $R_{\theta JC}$ = Thermal resistance junction to case.
- E_{AVL} = Controlled avalanche energy (See Figures 7 and 8).
- p_w = pulse width.
- D = duty cycle.

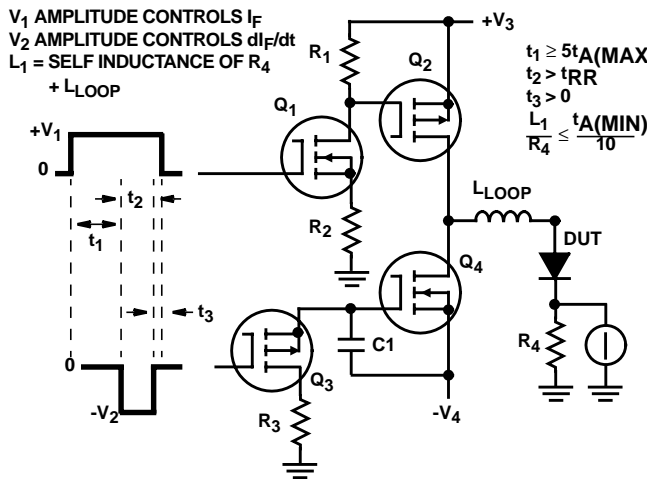


FIGURE 1. t_{RR} TEST CIRCUIT

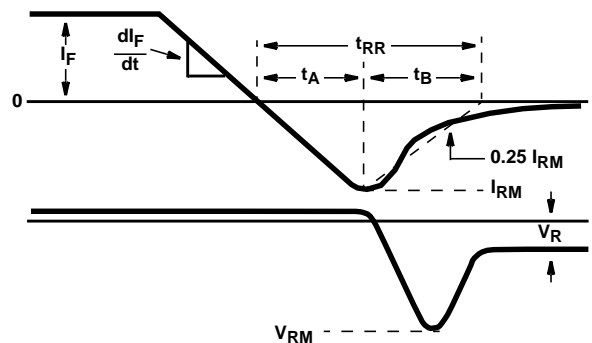


FIGURE 2. t_{RR} WAVEFORMS AND DEFINITIONS

All Intersil semiconductor products are manufactured, assembled and tested under **ISO9000** quality systems certification.

Intersil semiconductor products are sold by description only. Intersil Corporation reserves the right to make changes in circuit design and/or specifications at any time without notice. Accordingly, the reader is cautioned to verify that data sheets are current before placing orders. Information furnished by Intersil is believed to be accurate and reliable. However, no responsibility is assumed by Intersil or its subsidiaries for its use; nor for any infringements of patents or other rights of third parties which may result from its use. No license is granted by implication or otherwise under any patent or patent rights of Intersil or its subsidiaries.

For information regarding Intersil Corporation and its products, see web site <http://www.intersil.com>

Typical Performance Curves

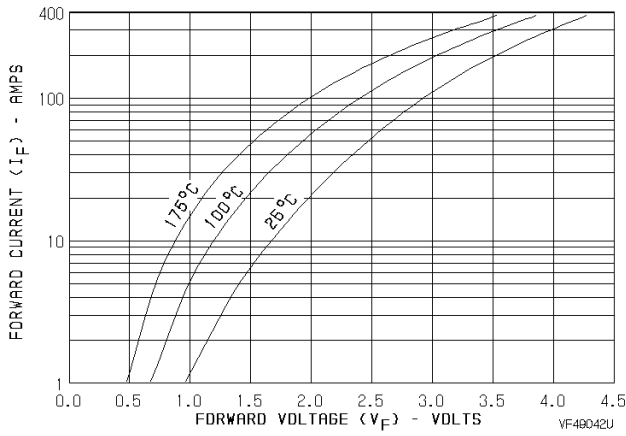


FIGURE 3. TYPICAL FORWARD CURRENT vs FORWARD VOLTAGE DROP

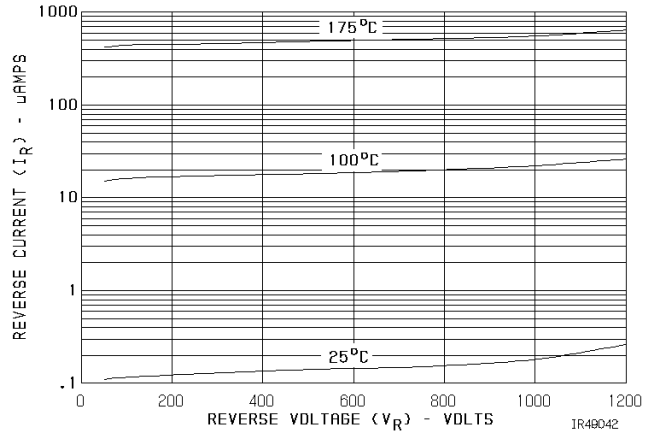


FIGURE 4. TYPICAL REVERSE CURRENT vs VOLTAGE

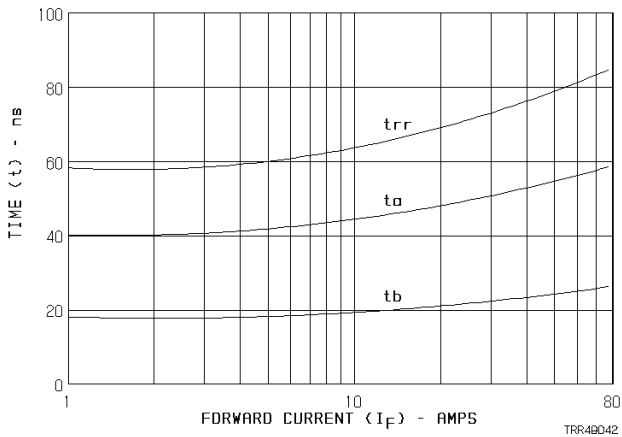


FIGURE 5. TYPICAL t_{RR} , t_A AND t_B CURVES vs FORWARD CURRENT

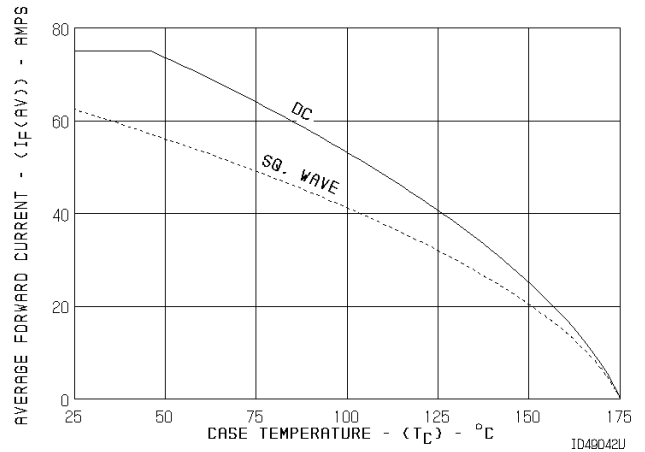


FIGURE 6. CURRENT DERATING CURVE FOR ALL TYPES

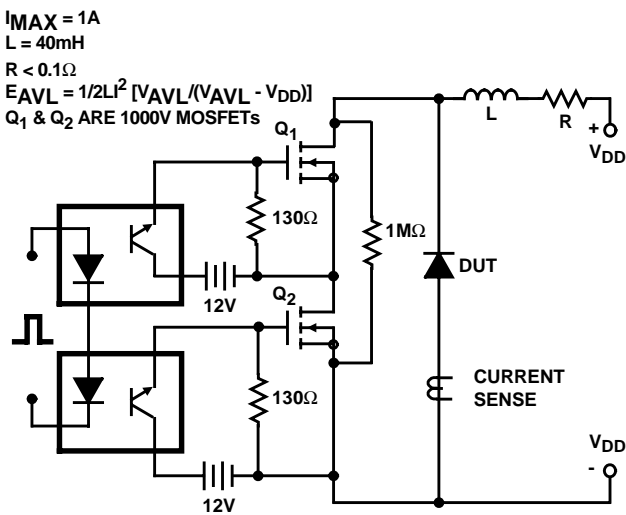


FIGURE 7. AVALANCHE ENERGY TEST CIRCUIT

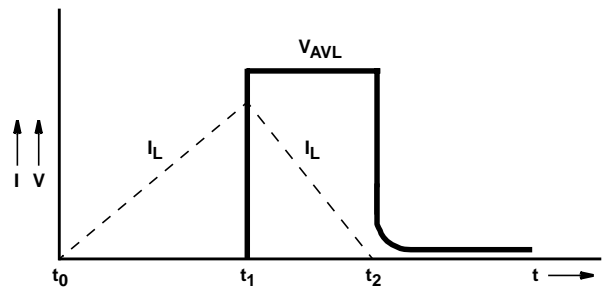


FIGURE 8. AVALANCHE CURRENT AND VOLTAGE WAVEFORMS