

DIP/SIP-IPM Reference Designs



RD3KVA-MINIDIP shown above

Description

Powerex Reference Design Kits provide the user with a complete power stage for controlling motor speed in appliance and light industrial applications. An optional controller is also available that contains software to control 3-phase induction or DC brushless motors. These kits allow the user to get to market fast with a proven electrical and thermal design. A complete application note with detailed BOMs, design calculations, schematics and circuit descriptions is included with purchase.

Features

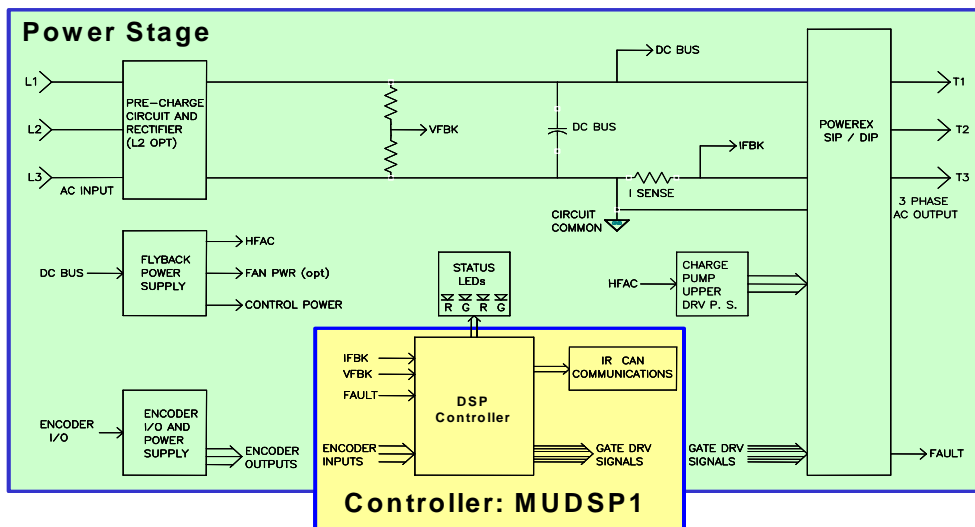
- Complete Power Stage
- Detailed Application Note
- PCB Layout and Gerber Files
- Complete Schematic
- Bill of Materials (BOM)
- Critical Design Calculations
- Optional Controller (MUDSP1)

Optional Controller

- Interfaces Directly w/ Power Stage
- Includes Motor Control Software
 - 3 Phase Induction
 - Brushless DC
- IR Communications with Windows-Based Computer

Reference Design Line Up

Part Number	Power Device	Package	Rating (VA)	w/ DSP
RD750VA-SIP	PS21661-RZ	SIP	750	NO
RD3KVA-MINIDIP	PS21564	Mini-DIP	3000	NO
RD10KVA-DIP	PS21869	DIP	10000	NO
RD750VA-SIP+MUDSP1	PS21661-RZ	SIP	750	YES
RD3KVA-MINIDIP+MUDSP1	PS21564	Mini-DIP	3000	YES
RD10KVA-DIP+MUDSP1	PS21869	DIP	10000	YES



Block diagram of the reference design power stage and optional controller.