



Micro Commercial Components Corp.

Products End of Life Notification

Issue date: Aug-1th-2008

Last Buy Date :Jan-1th-2009

Description and Purpose:

MCC has undergone a review of its core business and products , and determined to discontinue below products:

| Discontinued Devices | Possible Replacements |
|----------------------|-----------------------|
| RB400D | RB400DS |
| RB411D | RB411DS |
| RB420D | RB420DS |
| RB421D | RB421DS |
| RB425D | RB425DS |
| RB491D | RB491DS |
| RB495D | RB495DS |



Micro Commercial Components

Micro Commercial Components
 20736 Marilla Street Chatsworth
 CA 91311
 Phone: (818) 701-4933
 Fax: (818) 701-4939

RB421D

Features

- Small surface mounting type
- Low reverse current and low forward voltage
- High reliability
- Case Material: Molded Plastic. UL Flammability Classification Rating 94V-0

**0.1 Amp Schottky
 Barrier Rectifier
 40 Volts**

Maximum Ratings

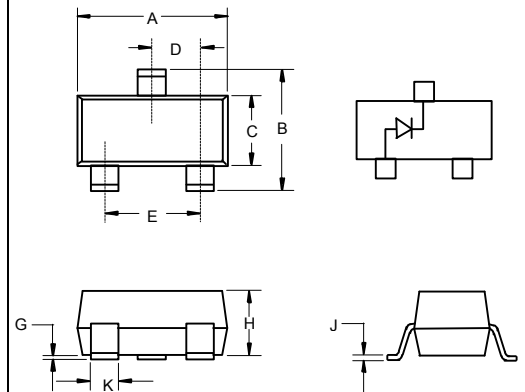
| Parameter | Symbol | Value | Unit |
|----------------------------|-----------|------------|------|
| Peak Reverse Voltage | V_{RM} | 40 | V |
| DC Reverse Voltage | V_R | 40 | V |
| Mean Rectifying Current | I_O | 100 | mA |
| Peak Forward Surge Current | I_{FSM} | 1 | A |
| Junction Temperature | T_J | 125 | °C |
| Storage Temperature | T_{STG} | -40 to 125 | °C |

Electrical Characteristics @ 25°C Unless Otherwise Specified

| Parameter | Symbol | Min. | Typ. | Max. | Unit |
|---|--------|------|------|--------------|------|
| Forward Voltage @ $I_F=100mA$ @ $I_F=10mA$ | V_F | --- | --- | 0.55 0.34 | V |
| Reverse Current @ $V_R=10V$ | I_R | --- | --- | 30 | uA |
| Capacitance Between Terminals @ $V_R=10V, f=1MHz$ | C_T | --- | 6 | --- | pF |

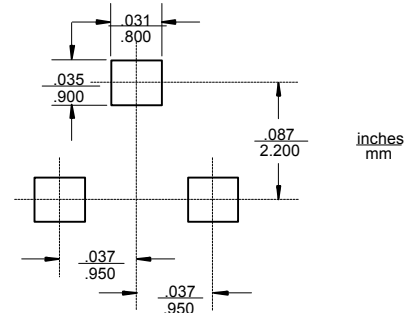
Marking: D3C

SOT-23-3L



| DIM | DIMENSIONS | | | | NOTE |
|-----|------------|-------|------|------|------|
| | INCHES | | MM | | |
| | MIN | MAX | MIN | MAX | |
| A | .113 | .117 | 2.87 | 2.97 | |
| B | .108 | .112 | 2.75 | 2.85 | |
| C | .061 | .065 | 1.55 | 1.65 | |
| D | .036 | .038 | .925 | .975 | |
| E | .073 | .077 | 1.85 | 1.95 | |
| G | .0016 | .0039 | .04 | .100 | |
| H | .044 | .049 | 1.12 | 1.25 | |
| J | .006 | .007 | .14 | .17 | |
| K | .013 | .015 | .34 | .37 | |

Suggested Solder Pad Layout





Micro Commercial Components

*****IMPORTANT NOTICE*****

Micro Commercial Components Corp. reserves the right to make changes without further notice to any product herein to make corrections, modifications, enhancements, improvements, or other changes. *Micro Commercial Components Corp.* does not assume any liability arising out of the application or use of any product described herein; neither does it convey any license under its patent rights, nor the rights of others. The user of products in such applications shall assume all risks of such use and will agree to hold *Micro Commercial Components Corp.* and all the companies whose products are represented on our website, harmless against all damages.

*****APPLICATIONS DISCLAIMER*****

Products offer by *Micro Commercial Components Corp.* are not intended for use in Medical, Aerospace or Military Applications.