

For Scintillation Counting, Ruggedized, Compact, 19mm (3/4 Inch) Diameter, Bialkali Photocathode, 10-stage, Head-On Type

GENERAL

Parameter		R5611	R5611-01	Unit
Spectral Response		300 to 650		nm
Wavelength of Maximum Response		420		nm
Photocathode	Material	Bialkali		—
	Minimum Effective Area	15		mm dia.
Window Material		Borosilicate glass		—
Dynode	Structure	Circular-cage		—
	Number of Stages	10		—
Suitable Socket		E678-12L (supplied)	E678-12A (supplied)	—

MAXIMUM RATINGS (Absolute Maximum Values)

Parameter		Value	Unit
Supply Voltage	Between Anode and Cathode	1250	Vdc
	Between Anode and Last Dynode	250	Vdc
Average Anode Current		0.1	mA
Ambient Temperature		-80 to +50	°C

CHARACTERISTICS (at 25°C)

Parameter		Min.	Typ.	Max.	Unit
Cathode Sensitivity	Luminous (2856K)	60	90	—	μ A/lm
	Blue (CS-5-58 filter)	—	10.5	—	μ A/lm-b
	Quantum Efficiency at 390nm	—	26	—	%
Anode Sensitivity	Luminous (2856K)	10	50	—	A/lm
Gain		—	5.5 × 10 ⁵	—	—
Anode Dark Current (after 30min. storage in darkness)		—	3	20	nA
Time Response	Anode Pulse Rise Time	—	1.5	—	ns
	Electron Transit Time	—	17	—	ns

NOTE: Anode characteristics are measured with the voltage distribution ratio shown below.

VOLTAGE DISTRIBUTION RATIO AND SUPPLY VOLTAGE

Electrodes	K	Dy1	Dy2	Dy3	Dy4	Dy5	Dy6	Dy7	Dy8	Dy9	Dy10	P
Ratio	3	1	1	1	1	1	1	1	1	1	1	1

Supply Voltage : 1000Vdc, K : Cathode, Dy : Dynode, P : Anode

ENVIRONMENTAL TESTING

Shoch 100g's, 11 ± 1ms, 3 impact shocks per direction (6 directions)

Vibration 20g's, 50 to 2000Hz, 1 oct per minute, 3 sweeps per axis (3 axes)

PHOTOMULTIPLIER TUBES R5611, R5611-01

Figure 1: Typical Spectral Response

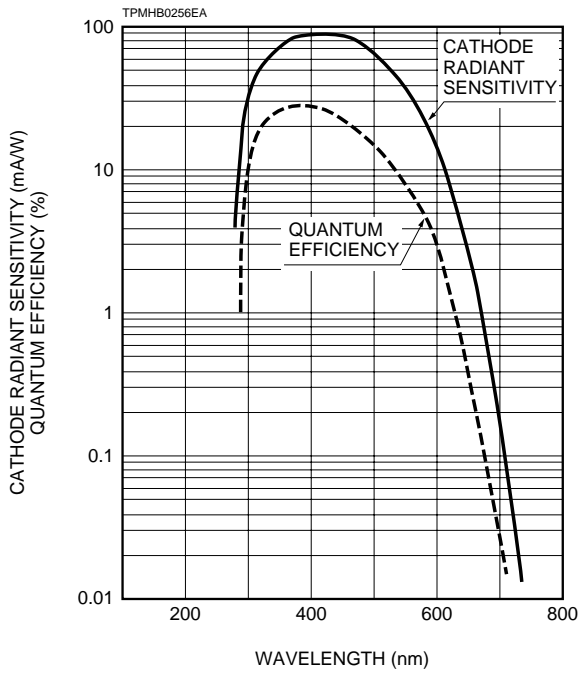


Figure 2: Typical Gain and Dark Current

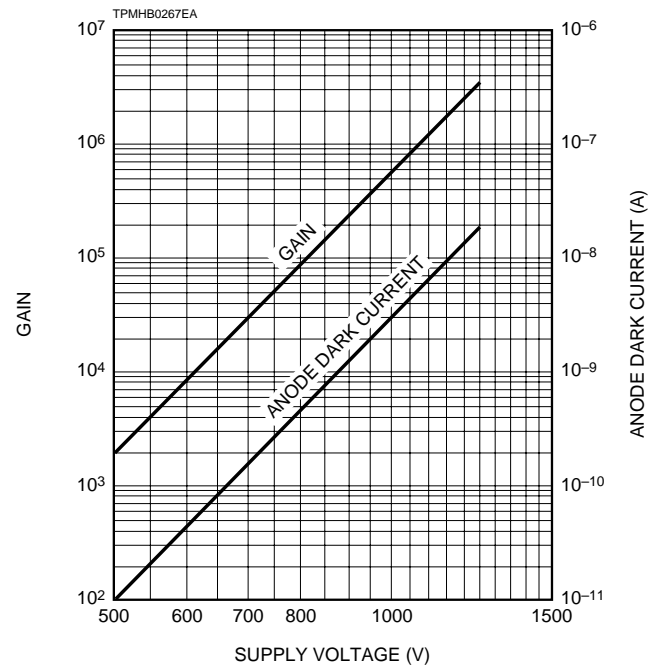


Figure 3: Single Photoelectron Pulse Height Distribution

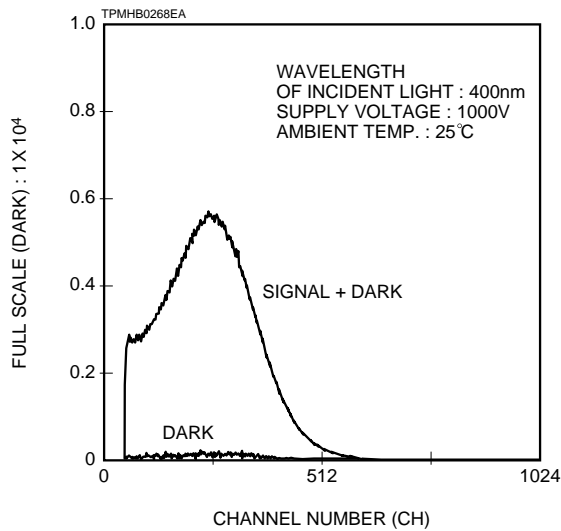


Figure 4: Temperature Coefficient of Anode Sensitivity

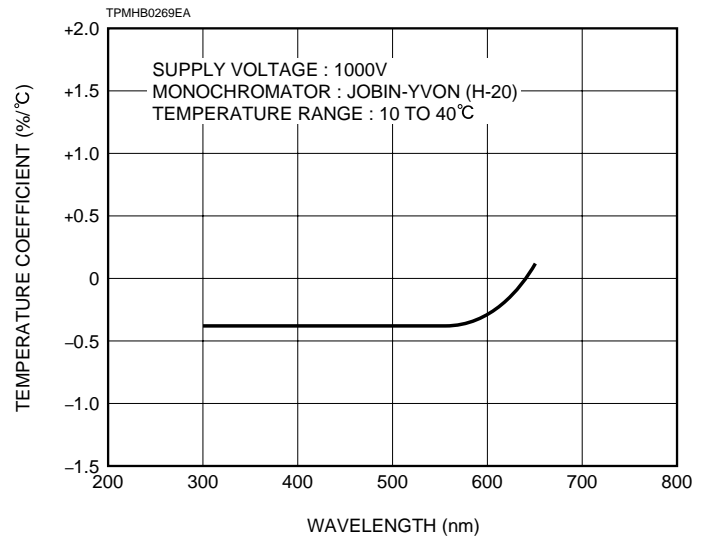


Figure 5: R5611 Dimensional Outline and Basing Diagram (Unit : mm)

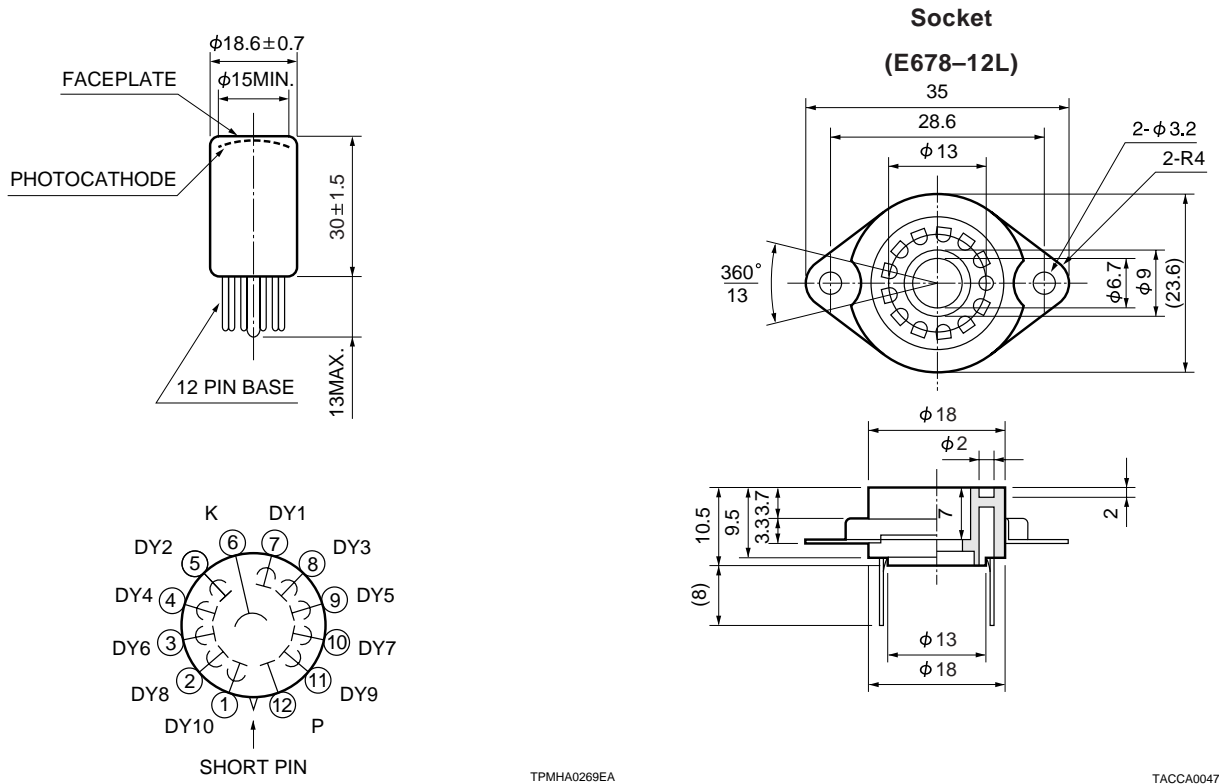
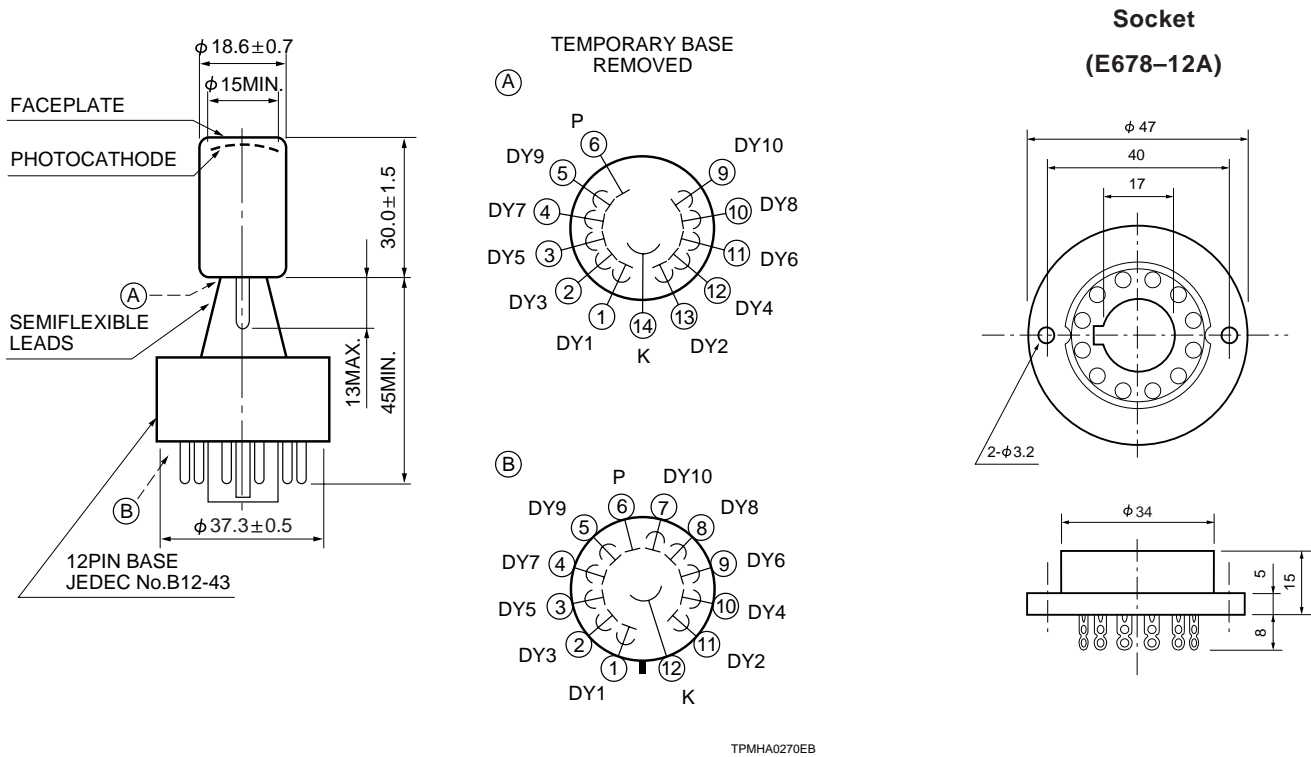


Figure 6: R5611-01 Dimensional Outline and Basing Diagram (Unit : mm)



PHOTOMULTIPLIER TUBES R5611, R5611-01

HAMAMATSU

HAMAMATSU PHOTONICS K.K., Electoron Tube Center

314-5, Shimokanzo, Toyooka-village, Iwata-gun, Shizuoka-ken, 438-0193, Japan, Telephone: (81)539/62-5248, Fax: (81)539/62-2205

U.S.A.: Hamamatsu Corporation: 360 Foothill Road, Bridgewater. N.J. 08807-0910, U.S.A., Telephone: (1)908-231-0960, Fax: (1)908-231-1218

Germany: Hamamatsu Photonics Deutschland GmbH: Arzbergerstr. 10, D-82211 Herrsching am Ammersee, Germany, Telephone: (49)8152-375-0, Fax: (49)8152-2658

France: Hamamatsu Photonics France S.A.R.L.: 8, Rue du Saule Trapu, Parc du Moulin de Massy, 91882 Massy Cedex, France, Telephone: (33)1 69 53 71 00, Fax: (33)1 69 53 71 10

United Kingdom: Hamamatsu Photonics UK Limited: Lough Point, 2 Gladbeck Way, Windmill Hill, Enfield, Middlesex EN2 7JA, United Kingdom, Telephone: (44)181-367-3560, Fax: (44)181-367-6384

North Europe: Hamamatsu Photonics Norden AB: Färögatan 7, S-164-40 Kista Sweden, Telephone: (46)8-703-29-50, Fax: (46)8-750-58-95

Italy: Hamamatsu Photonics Italia: S.R.L.: Via Della Moia, 1/E, 20020 Arese, (Milano), Italy, Telephone: (39)2-935 81 733, Fax: (39)2-935 81 741

TPMH1108E02
JAN. 1995