

## High QE in Near IR Region Due to InGaAs (Cs) Photocathode For Spectrophotometers with 185 to 1010 nm range, Fluorescence and Laser Applications and Photon Counting (R2658P) in the Near Infrared Region, etc.

### FEATURES

- High QE in Near IR Region ..... QE 0.13% at 1  $\mu\text{m}$
- Wide Wavelength Range ..... 185 to 1010 nm
- Low Dark Current ..... 1 nA at 1250 V (Typ.)

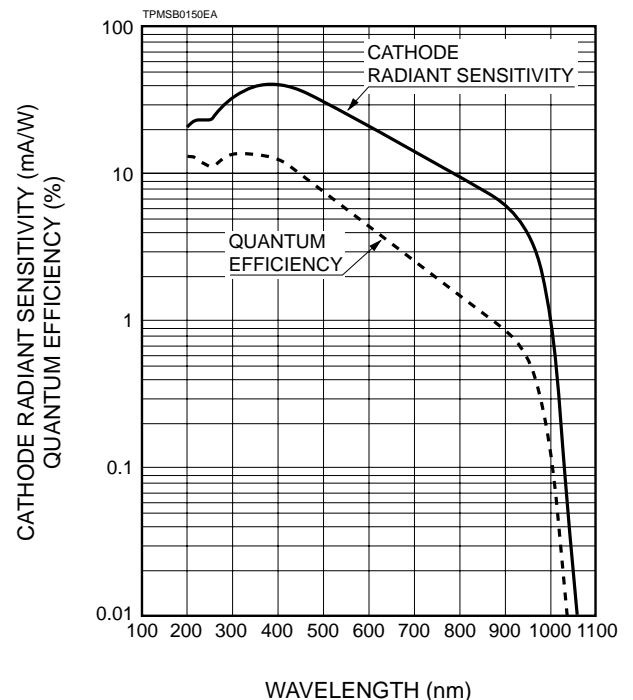
The R2658 and the R2658P are 28 mm (1-1/8 inch) diameter side-on photomultiplier tubes using a newly developed InGaAs semiconductor photocathode.

The InGaAs photocathode is sensitive from UV to near IR radiations (as long as over 1010 nm) longer than wavelength limit of GaAs photocathode, and yet offers low dark current. The dark current is 2 orders lower than the commercial S-1 photocathode. Therefore, they are well suited for low light detection in the near IR region including fluorescence lifetime measurements. Time response, gain, and dimensions are identical with the conventional 28 mm (1-1/8 inch) diameter side-on tubes with a GaAs photocathode.

The R2658P is a photon counting version of the R2658 with low dark counts.



Figure 1: Typical Spectral Response



### GENERAL

Parameter		Description/Value	Unit
Spectral Response		185 to 1010	nm
Wavelength of Maximum Response		400	nm
Photocathode	Material	InGaAs (Cs)	—
	Minimum Effective Area	3 × 12	mm
Window Material		UV glass	—
Dynode	Secondary Emitting Surface	Cu-BeO	—
	Structure	Circular-cage	—
	Number of Stages	9	—
Direct Interelectrode Capacitances	Anode to Last Dynode	Approx. 4	pF
	Anode to All Other Electrodes	Approx. 6	pF
Base		11-pin base JEDEC No. B11-88	—
Weight		Approx. 45	g
Suitable Socket (Option)		E678-11A	—
Suitable Socket Assembly (Option)		E717-63	—

# PHOTOMULTIPLIER TUBES R2658, R2658P

## MAXIMUM RATINGS (Absolute Maximum Values)

Parameter		Value	Unit
Supply Voltage	Between Anode and Cathode	1500	Vdc
	Between Anode and Last Dynode	250	Vdc
Average Anode Current <sup>A</sup>		1	μA
Ambient Temperature		-80 to +50	°C

## CHARACTERISTICS (at 25°C)

Parameter		Min.	Typ.	Max.	Unit	
Cathode Sensitivity	Quantum	at 330 nm	—	14	—	%
	Efficiency	at 1000 nm	0.02	0.13	—	%
	Luminous <sup>B</sup>		50	100	—	μA/lm
	Radiant	at 194 nm	—	20	—	mA/W
		at 254 nm	—	23	—	mA/W
		at 400 nm	—	40	—	mA/W
		at 633 nm	—	19	—	mA/W
		at 852 nm	—	7.6	—	mA/W
at 1000 nm		0.16	1	—	mA/W	
Red/White Ratio <sup>C</sup>		0.25	0.4	—	—	
Anode Sensitivity	Luminous <sup>D</sup>		5	16	—	A/lm
	Radiant	at 194 nm	—	$3.2 \times 10^3$	—	A/W
		at 254 nm	—	$3.7 \times 10^3$	—	A/W
		at 400 nm	—	$6.4 \times 10^3$	—	A/W
		at 633 nm	—	$3.0 \times 10^3$	—	A/W
		at 852 nm	—	$1.2 \times 10^3$	—	A/W
at 1000 nm		—	$1.6 \times 10^2$	—	A/W	
Gain <sup>D</sup>		—	$1.6 \times 10^5$	—	—	
Anode Dark Current <sup>E</sup> After 30 minute storage in the darkness		—	1	10	nA	
Anode Dark Count (for the R2658P) <sup>F</sup>		—	50	300	s <sup>-1</sup> (cps)	
ENI (Equivalent Noise Input) <sup>G</sup>		—	$1.1 \times 10^{-15}$	—	W	
Time Response <sup>D</sup>	Anode Pulse Rise Time <sup>H</sup>		—	2.0	—	ns
	Electron Transit Time <sup>J</sup>		—	20	—	ns
Anode Current Stability <sup>K</sup>	Current Hysteresis		—	2	—	%
	Voltage Hysteresis		—	2	—	%

## NOTES

- A: Averaged over any interval of 30 seconds maximum.
- B: The light source is a tungsten filament lamp operated at a distribution temperature of 2856 K. Supply voltage is 100 volts between the cathode and all other electrodes connected together as anode.
- C: Red/white ratio is the quotient of the cathode current measured using a red filter (Toshiba R-68) interposed between the light source and the tube by the cathode current measured with the filter removed under the same condition as Note B.
- D: Measured with the same light source as Note B and with the voltage distribution ratio shown in Table 1 below.
- E: Measured with the same supply voltage and the voltage distribution ratio as Note D after 30 minute storage in the darkness.
- F: Measured at the voltage producing the gain of  $1 \times 10^6$  and the voltage distribution ratio shown in table 1 below. The photocathode is cooled at -20 °C.
- G: ENI is an indication of the photo-limited signal-to-noise ratio. It refers to the amount of light in watts to produce a signal-to-noise ratio of unity in the output of a photomultiplier tube.

$$ENI = \frac{\sqrt{2q \cdot I_{db} \cdot G \cdot \Delta f}}{S}$$

where q = Electronic charge ( $1.60 \times 10^{-19}$  coulomb)  
 $I_{db}$  = Anode dark current (after 30 minute storage) in amperes  
 G = Gain  
 $\Delta f$  = Bandwidth of the system in hertz. 1 hertz is used.  
 S = Anode radiant sensitivity in amperes per watt at the wavelength of peak response.

- H: The rise time is the time for the output pulse to rise from 10 % to 90 % of the peak amplitude when the entire photocathode is illuminated by a delta function light pulse.
- J: The electron transit time is the interval between the arrival of delta function light pulse at the entrance window of the tube and the time when the anode output reaches the peak amplitude. In measurement, the whole photocathode is illuminated.
- K: Hysteresis is temporary instability in anode current after light and voltage are applied.

**Table 1: Voltage Distribution Ratio**

Electrodes	K	Dy1	Dy2	Dy3	Dy4	Dy5	Dy6	Dy7	Dy8	Dy9	P
Distribution Ratio	1	1	1	1	1	1	1	1	1	1	1

Supply Voltage= 1250 Vdc

K: Cathode, Dy: Dynode, P: Anode

Figure 2: Anode Luminous Sensitivity and Gain Characteristics

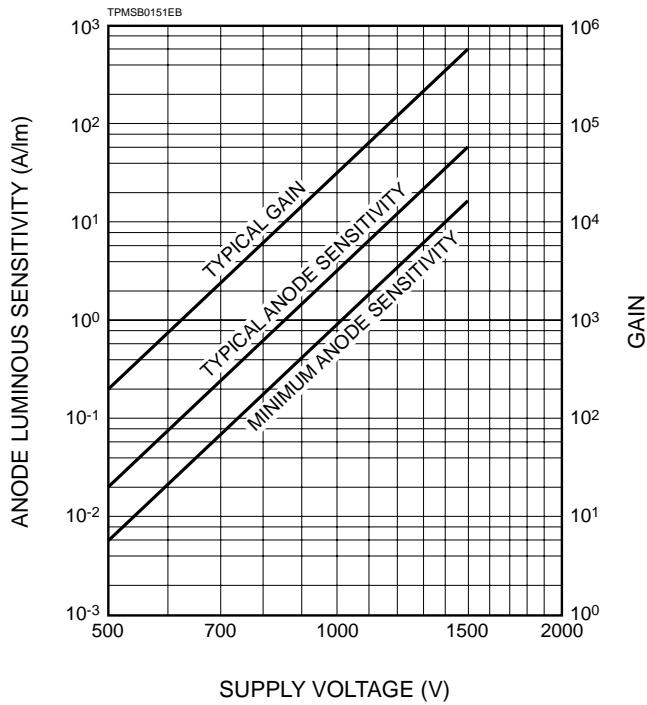


Figure 3: Typical Time Response

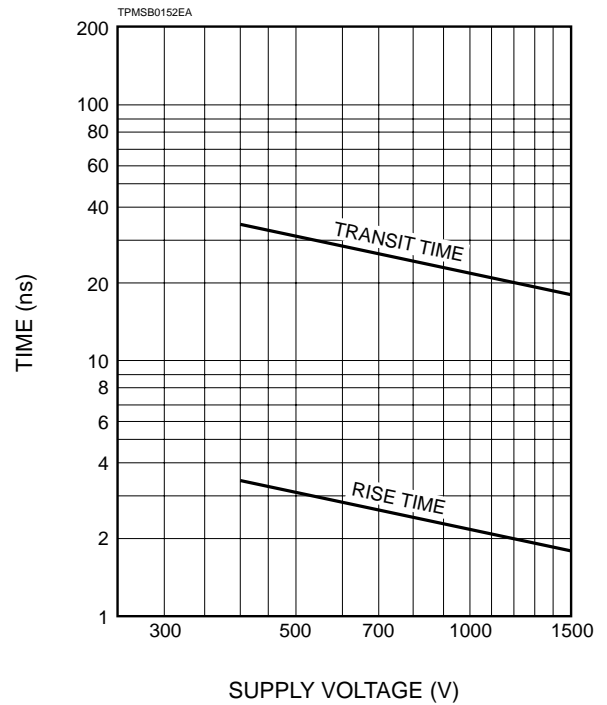


Figure 4: Temperature Coefficient

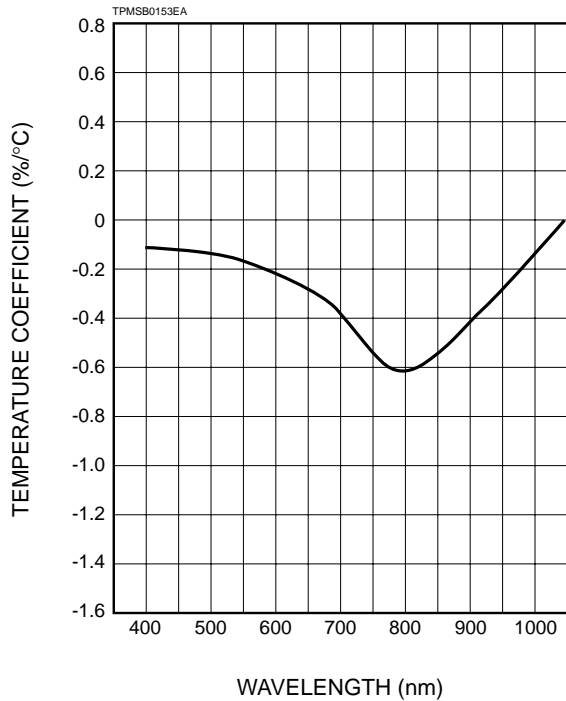
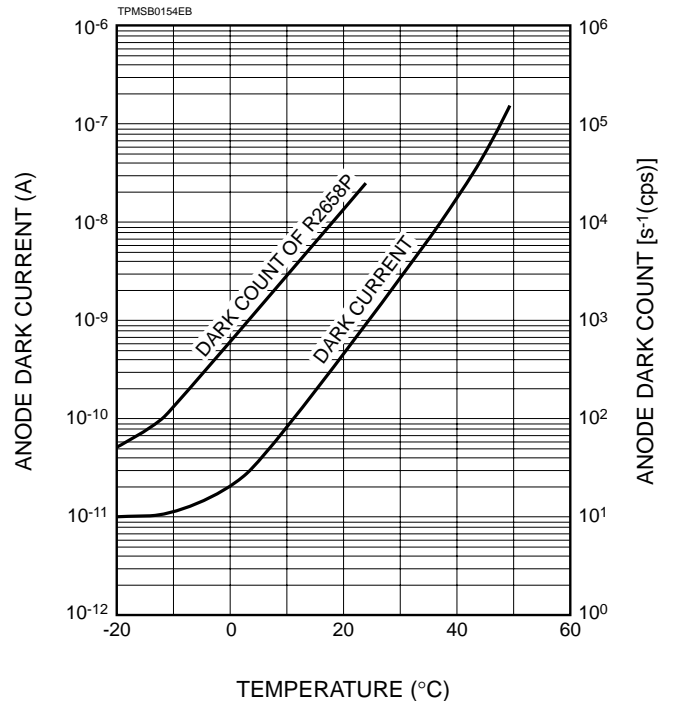


Figure 5: Typical Temperature Characteristic of Dark Current and Dark Count (R2658P)



# PHOTOMULTIPLIER TUBES R2658, R2658P

Figure 6: Dimensional Outline and Basing Diagram (Unit: mm)

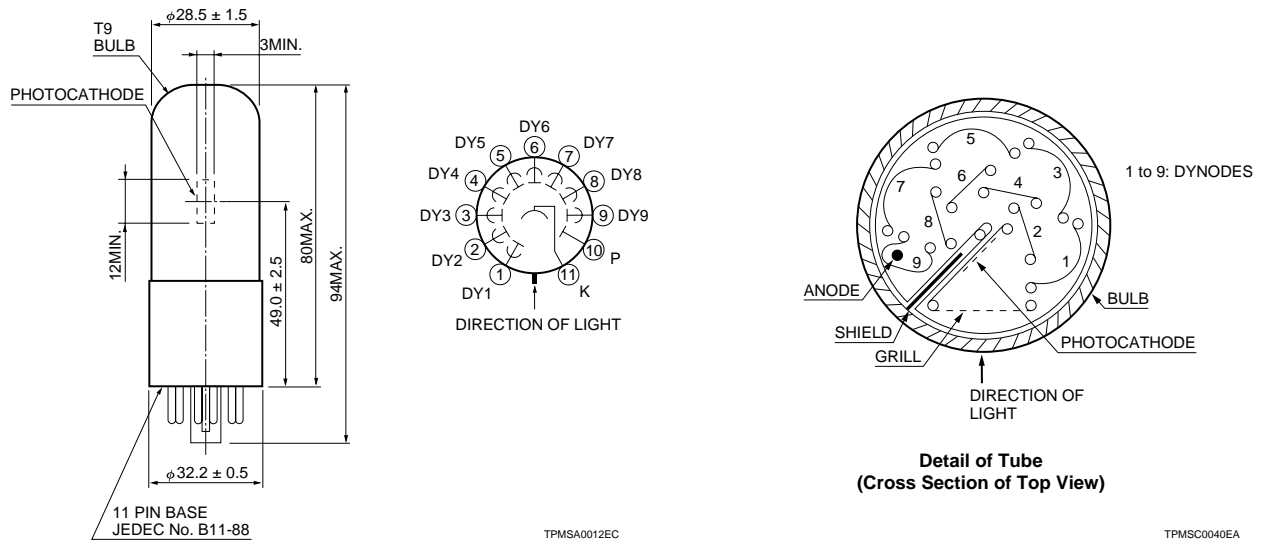
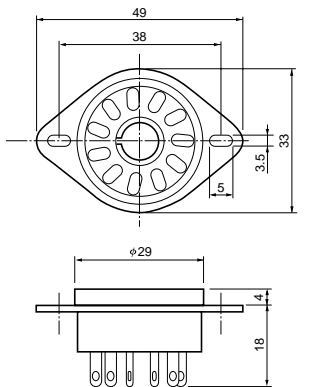


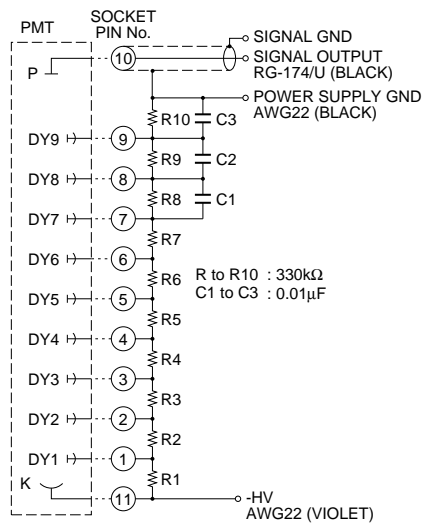
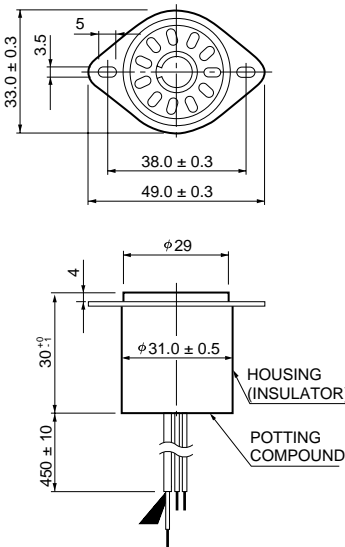
Figure 7: Optional Accessories (Unit: mm)

(a) E678-11A (Socket)



TACCA0064EA

(a) E717-63 (Socket Assembly)



TACCA0002EG

**Warning-Personal Safety Hazards**  
Electrical Shock — Operating voltage applied to this device presents shock hazard.

# HAMAMATSU

HOME PAGE URL <http://www.hamamatsu.com>

HAMAMATSU PHOTONICS K.K., Electron Tube Center

314-5, Shimokanzo, Toyooka-village, Iwata-gun, Shizuoka-ken, 438-0193, Japan, Telephone: (81)539/62-5248, Fax: (81)539/62-2205

U.S.A.: Hamamatsu Corporation: 360 Foothill Road, P. O. Box 6910, Bridgewater, N.J. 08807-0910, U.S.A., Telephone: (1)908-231-0960, Fax: (1)908-231-1218

Germany: Hamamatsu Photonics Deutschland GmbH: Arzbergerstr. 10, D-82211 Herrsching am Ammersee, Germany, Telephone: (49)8152-375-0, Fax: (49)8152-2658

France: Hamamatsu Photonics France S.A.R.L.: 8, Rue du Saule Trapu, Parc du Moulin de Massy, 91882 Massy Cedex, France, Telephone: (33)1 69 53 71 00, Fax: (33)1 69 53 71 10

United Kingdom: Hamamatsu Photonics UK Limited: Lough Point, 2 Gladbeck Way, Windmill Hill, Enfield, Middlesex EN2 7JA, United Kingdom, Telephone: 44(20)8-367-3560, Fax: 44(20)8-367-6384

North Europe: Hamamatsu Photonics Norden AB: Smidesvägen 12, SE-171-41 SOLNA, Sweden, Telephone: (46)8-509-031-00, Fax: (46)8-509-031-01

Italy: Hamamatsu Photonics Italia: S.R.L.: Strada della Moia, 1/E, 20020 Arese, (Milano), Italy, Telephone: (39)02-935 81 733, Fax: (39)02-935 81 741

TPMS1044E02  
MAR. 2000